



US00D927188S

(12) **United States Design Patent** (10) **Patent No.:** **US D927,188 S**
Amat (45) **Date of Patent:** **** Aug. 10, 2021**

(54) **FASHION ORNAMENT**
(71) Applicant: **J. Choo Limited**, London (GB)
(72) Inventor: **Lina Amat**, London (GB)
(73) Assignee: **J. Choo Limited**, London (GB)
(**) Term: **15 Years**

(21) Appl. No.: **29/706,746**
(22) Filed: **Sep. 23, 2019**

(30) **Foreign Application Priority Data**

Apr. 10, 2019 (EM) 006374807-0009

(51) **LOC (13) Cl.** **03-01**

(52) **U.S. Cl.**
USPC **D3/324**

(58) **Field of Classification Search**
USPC D3/232-233, 240-243, 245-246, 318,
D3/322; D11/40, 43
CPC .. A45C 1/024; A45C 3/06; A45C 3/08; A45C
13/08; A45C 13/02; A45C 13/26
See application file for complete search history.

(56) **References Cited**

U.S. PATENT DOCUMENTS

D103,583 S 3/1937 Osweli
D206,430 S 12/1966 James
D276,274 S * 11/1984 Bezanson D28/42
D499,046 S 11/2004 Pinto et al.

D530,076 S * 10/2006 Choi D2/976
D579,205 S * 10/2008 Gonzalez D3/322
D620,385 S * 7/2010 Javaheri D11/43
D637,937 S * 5/2011 Gaspard D11/43
D869,766 S * 12/2019 Gu D28/42
D877,980 S * 3/2020 Hao D28/42
10,575,606 B2 * 3/2020 Winderl A44C 17/04

* cited by examiner

Primary Examiner — Holly E Thurman

(74) *Attorney, Agent, or Firm* — Fross Zelnick Lehrman & Zissu, P.C.; Lawrence E. Apolzon, Esq.

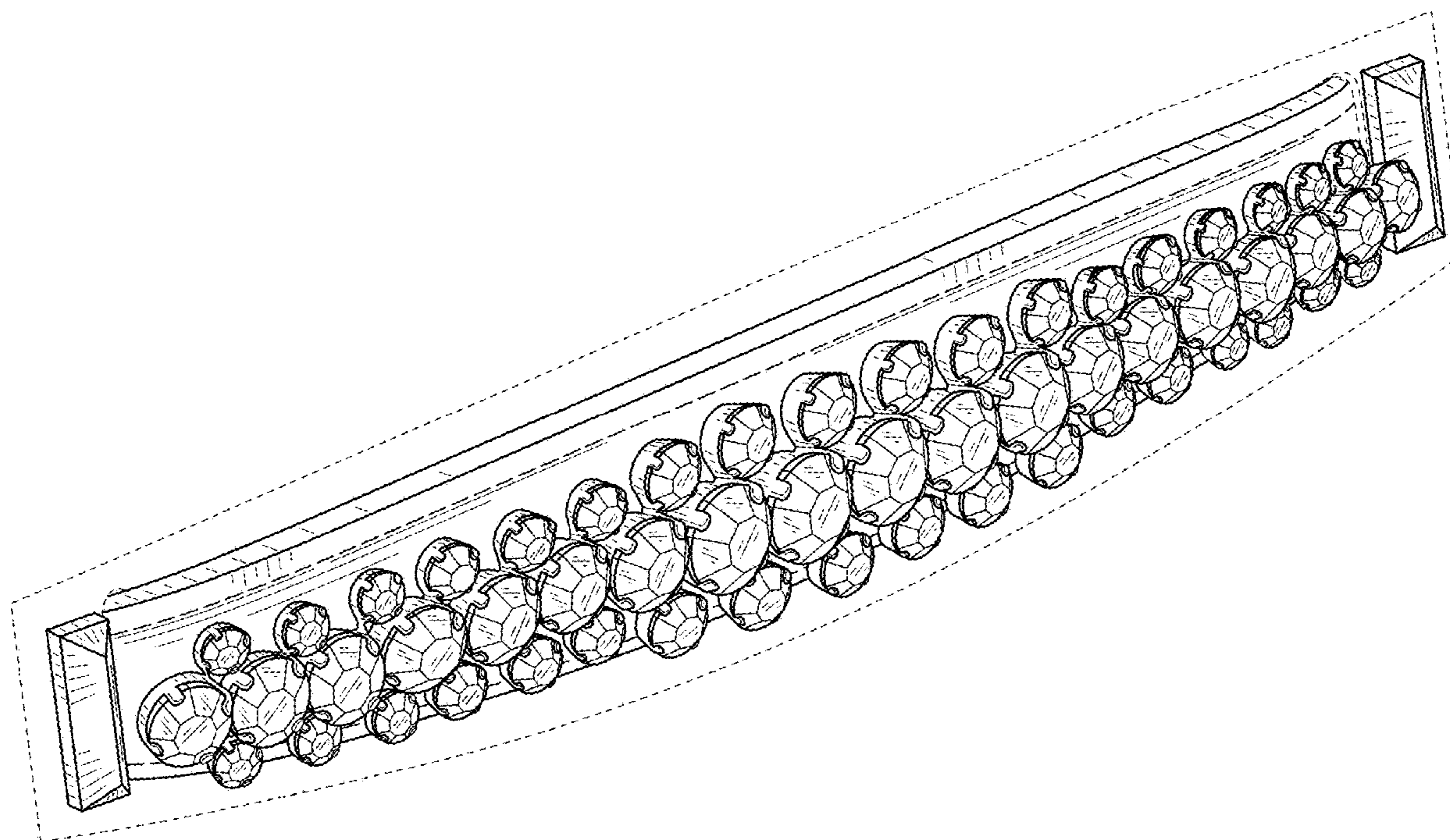
(57) **CLAIM**

The ornamental design for a fashion ornament, as shown and described.

DESCRIPTION

FIG. 1 is a front perspective view of a fashion ornament showing my new design;
FIG. 2 is a front view thereof;
FIG. 3 is a left side view thereof;
FIG. 4 is a right side view thereof;
FIG. 5 is a top view thereof;
FIG. 6 is a bottom view thereof; and,
FIG. 7 is a front view of the fashion ornament shown in FIG. 1, shown in the environment of a handbag.
The long dash broken lines disclosed in the figures depicts stitching and form no part of the claimed design. The short dash broken lines disclosed in the figures depict a boundary and form no part of the claimed design. No claim is made to the back of the fashion ornament.

1 Claim, 4 Drawing Sheets



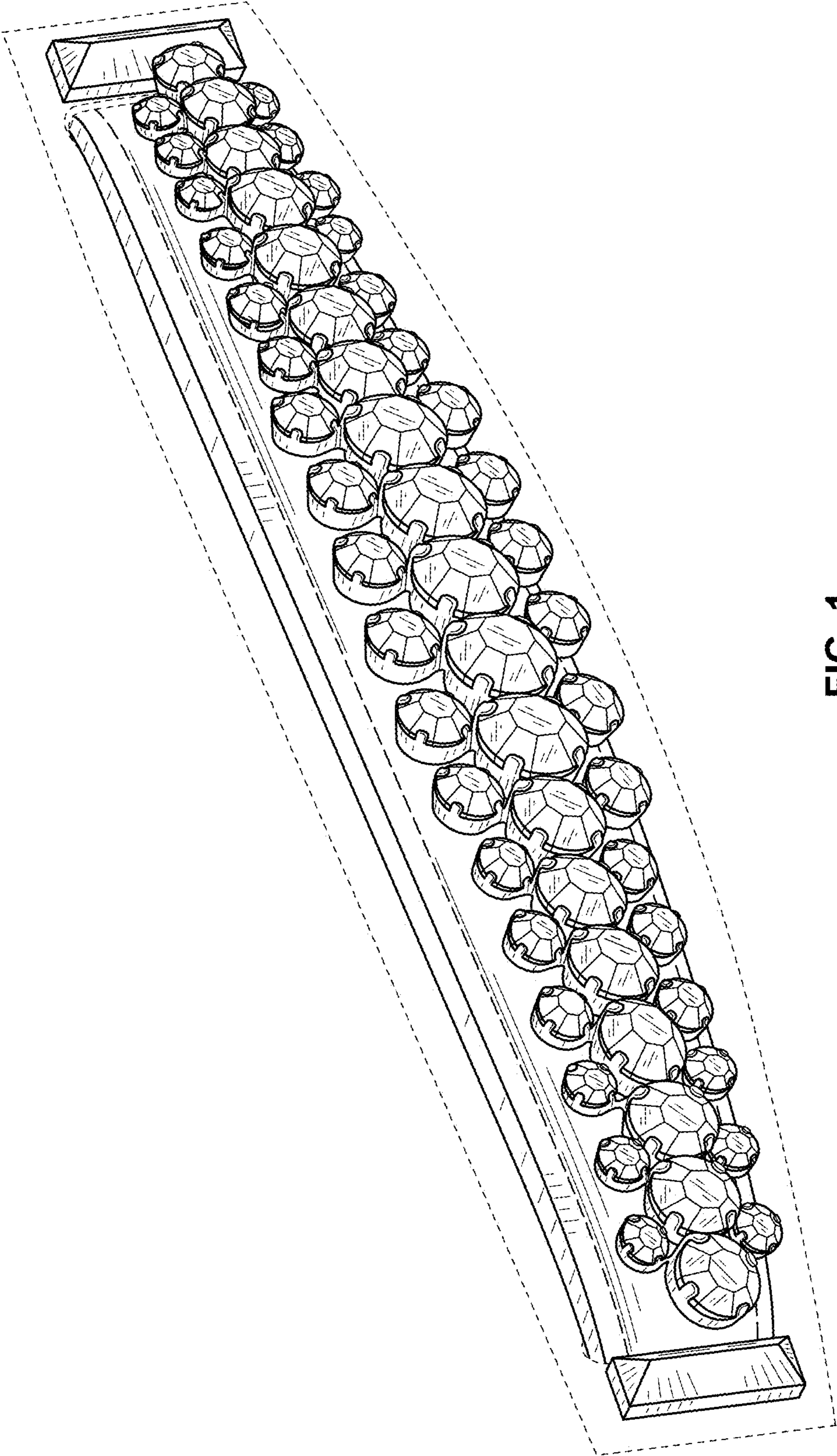


FIG. 1

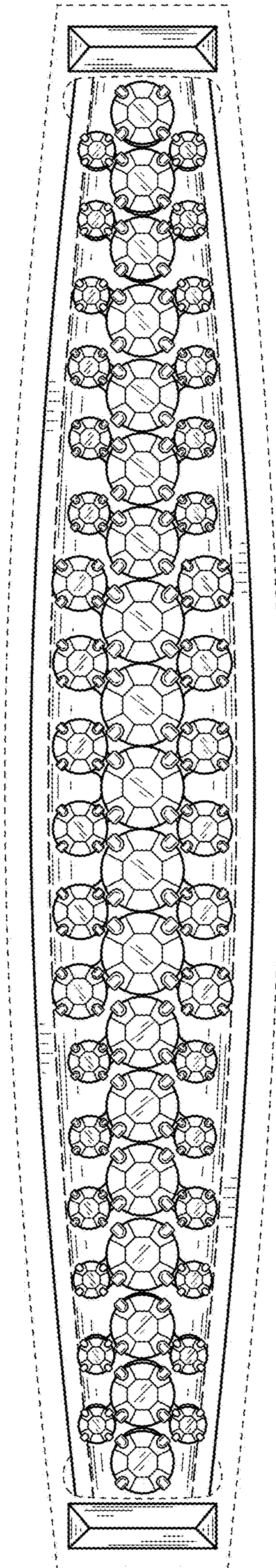


FIG. 2

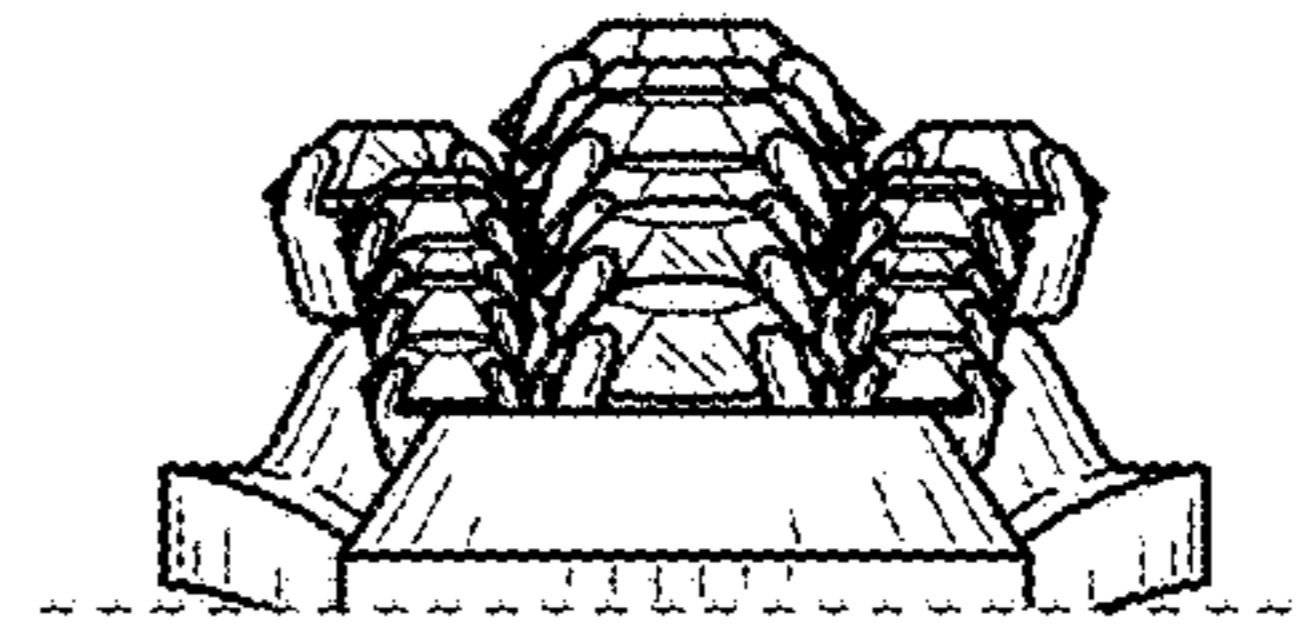


FIG. 4

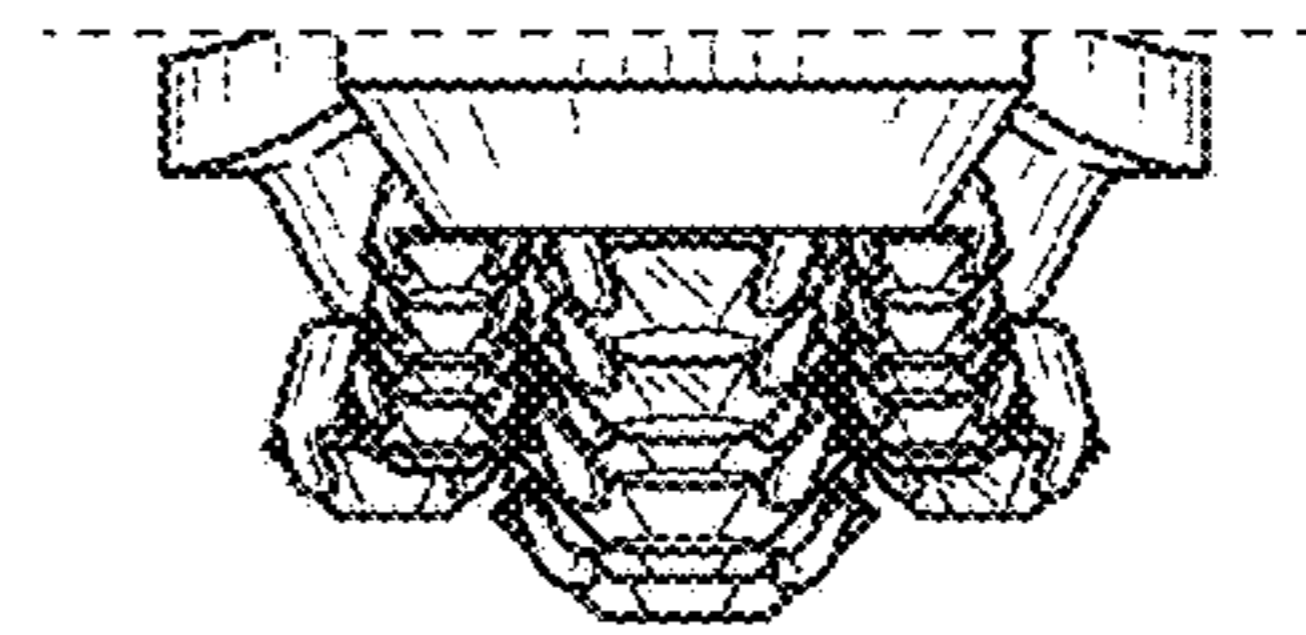


FIG. 3

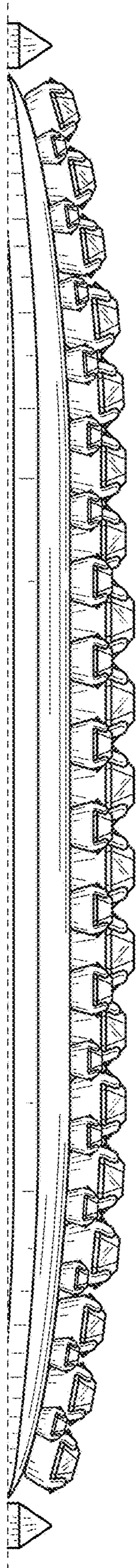


FIG. 5

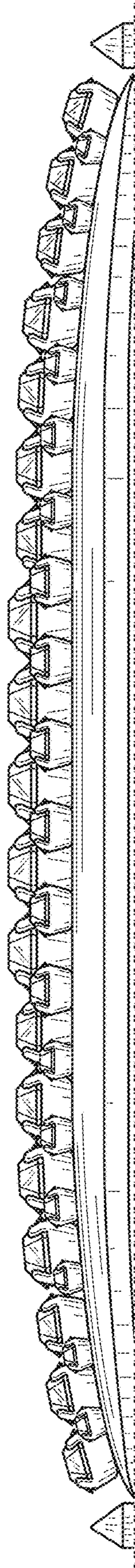


FIG. 6

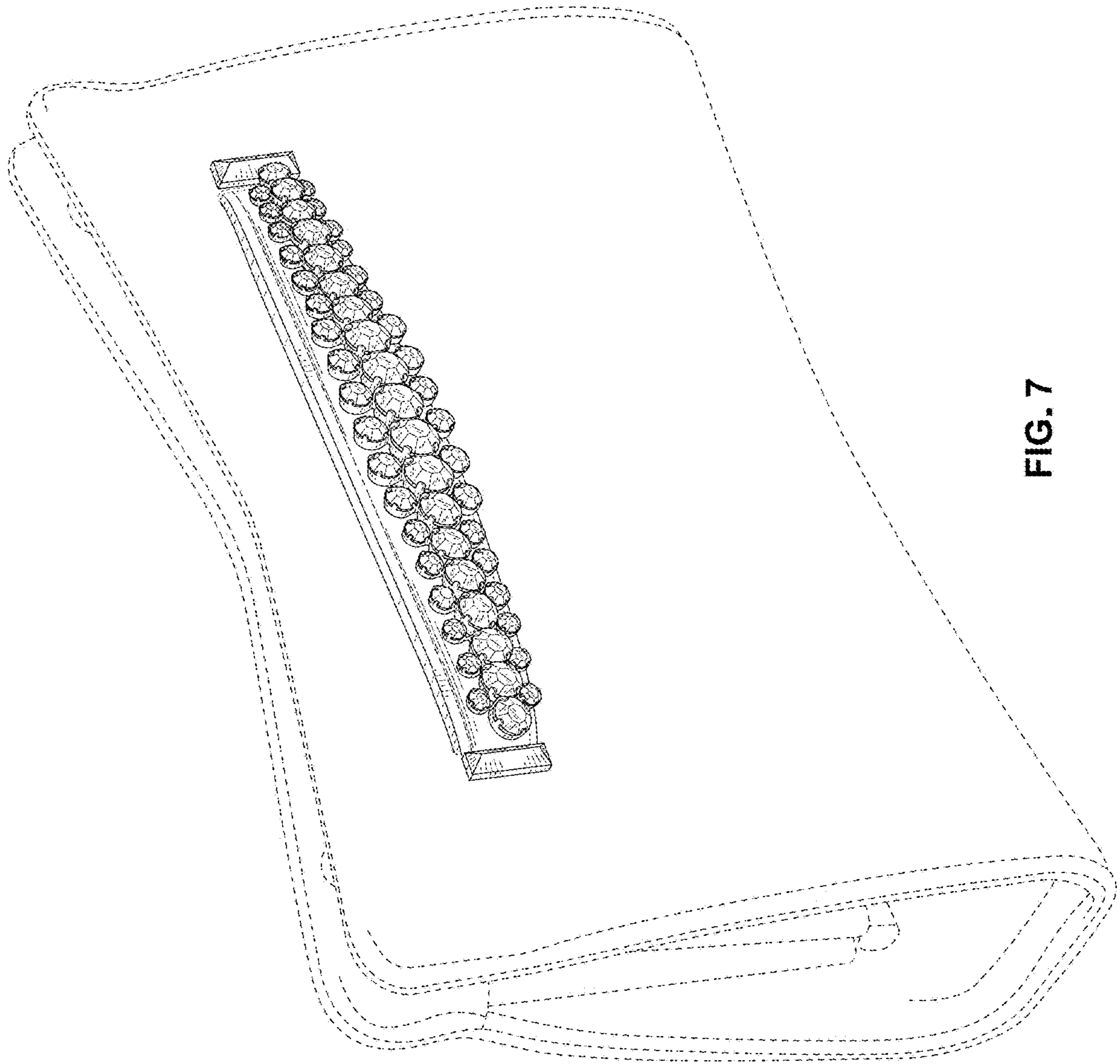


FIG. 7