



US00D927187S

(12) **United States Design Patent** (10) **Patent No.:** **US D927,187 S**
Hyun (45) **Date of Patent:** **** Aug. 10, 2021**

(54) **CASE FOR EARPHONES**

- (71) Applicant: **SPIGEN KOREA CO., LTD.**, Seoul (KR)
- (72) Inventor: **Young Kwang Hyun**, Seoul (KR)
- (**) Term: **15 Years**
- (21) Appl. No.: **29/652,162**
- (22) Filed: **May 27, 2020**

Related U.S. Application Data

- (63) Continuation of application No. 29/728,823, filed on Mar. 20, 2020.
- (51) **LOC (13) Cl.** **03-01**
- (52) **U.S. Cl.**
USPC **D3/321**
- (58) **Field of Classification Search**
USPC D3/201, 218, 273, 274, 294, 208, 212, D3/302, 295, 266, 321; D13/108
CPC A45C 2011/001; A45C 13/002
See application file for complete search history.

(56) **References Cited**

U.S. PATENT DOCUMENTS

D886,453 S *	6/2020	Wright	D3/294
D891,771 S *	8/2020	Lee	D3/269
D891,774 S *	8/2020	Yu	D3/294
D898,664 S *	10/2020	Bhutani	D13/108
D901,177 S *	11/2020	Wei	D3/294
D901,382 S *	11/2020	Zhang	D13/108

OTHER PUBLICATIONS

Amazon, "Spigen Rugged Armor Designed for Apple AirPods Case Cover for AirPods 1 & 2 [LED Light Visible]—Matte Black", First on sale Apr. 21, 2020. (<https://www.amazon.com/Spigen-Rugged-Designed-Airpods-Visible/dp/B087F8KDFH/>) (Year: 2020).*

Amazon, "AIKO Compatible AirPods Pro Case Cover Carbon Fiber Texture Series Silicone Case . . .", First on sale Oct. 9, 2020. (<https://www.amazon.com/dp/B08KY61MR8/?th=1>) (Year: 2020).*

Amazon, "Valkit Compatible AirPods Case Cover . . .", First on sale Nov. 13, 2020. (<https://www.amazon.com/dp/B08NCR6J5Y/>) (Year: 2020).*

* cited by examiner

Primary Examiner — April Rivas

(74) *Attorney, Agent, or Firm* — Paul Chung

(57) **CLAIM**

The ornamental design of a case for earphones, as shown and described.

DESCRIPTION

FIG. 1 is a front perspective view of the case for earphones showing my new design;
 FIG. 2 is a rear perspective view thereof;
 FIG. 3 is a front elevational view thereof;
 FIG. 4 is a rear elevational view thereof;
 FIG. 5 is a left side elevational view thereof;
 FIG. 6 is a right side elevational view thereof;
 FIG. 7 is a top plan view thereof; and,
 FIG. 8 is a bottom plan view thereof.

The broken lines throughout the drawing figures depict portions of the case for earphones that form no part of the claimed design.

1 Claim, 8 Drawing Sheets

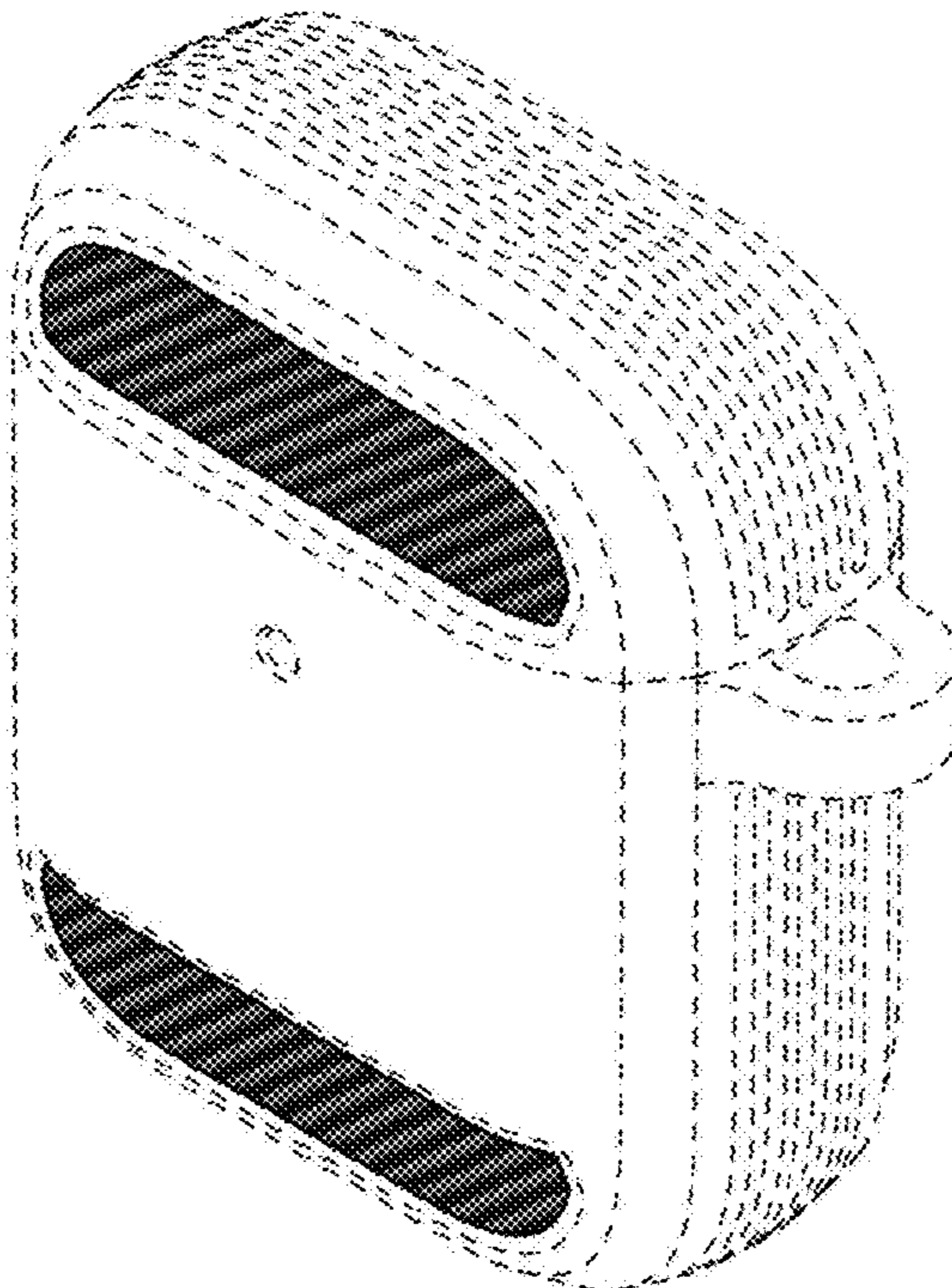


FIG. 1

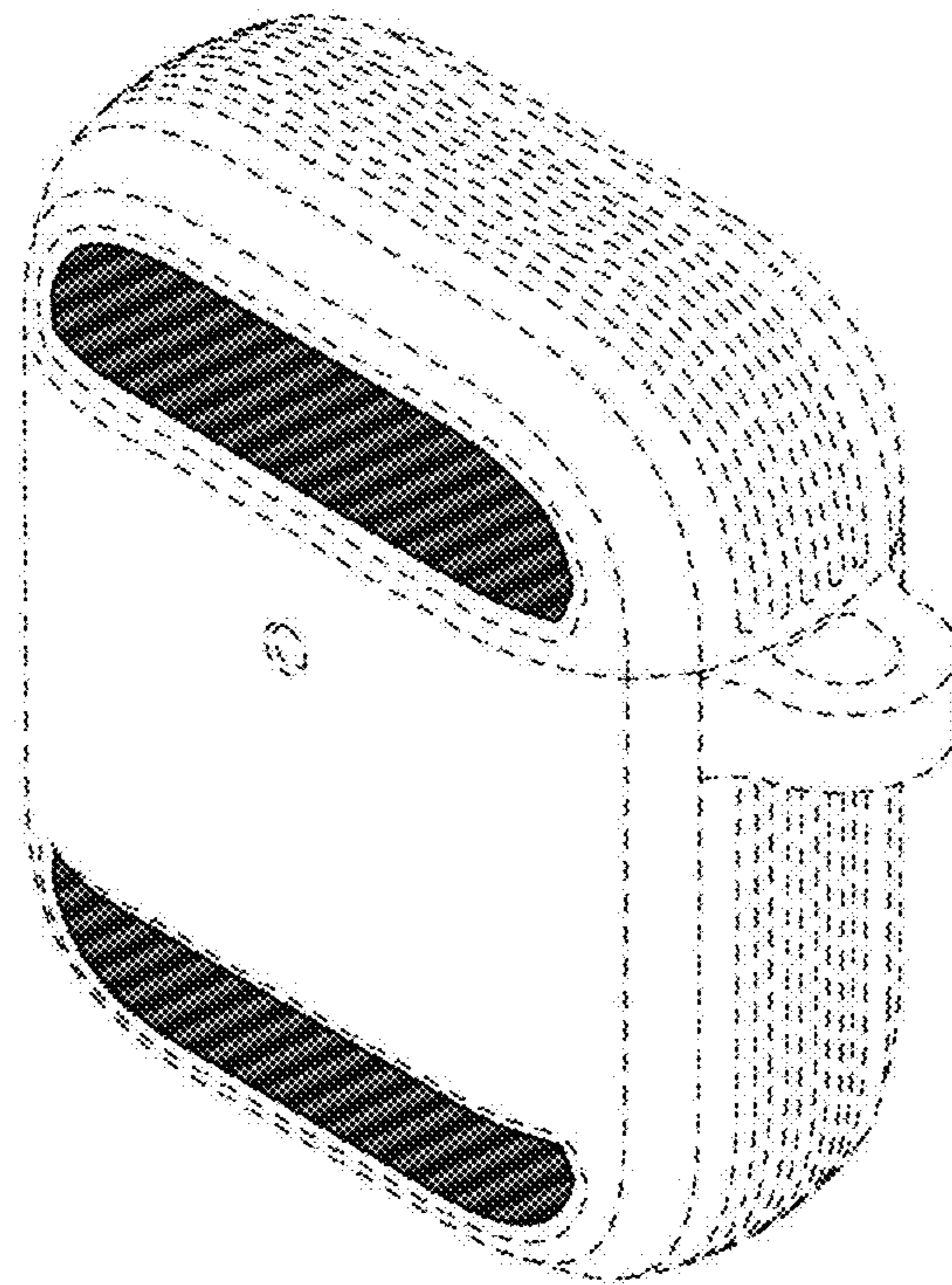


FIG. 2

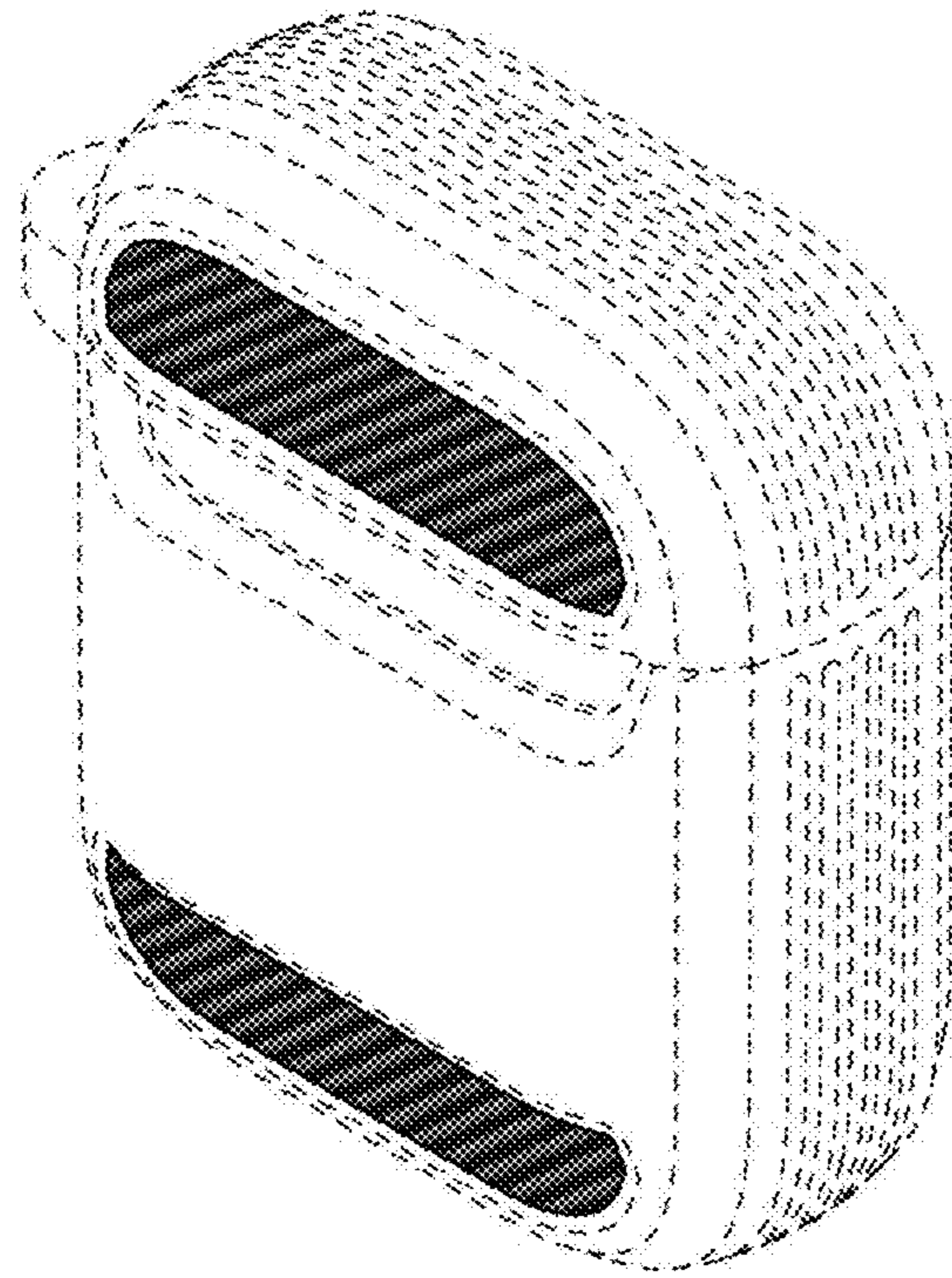


FIG. 3

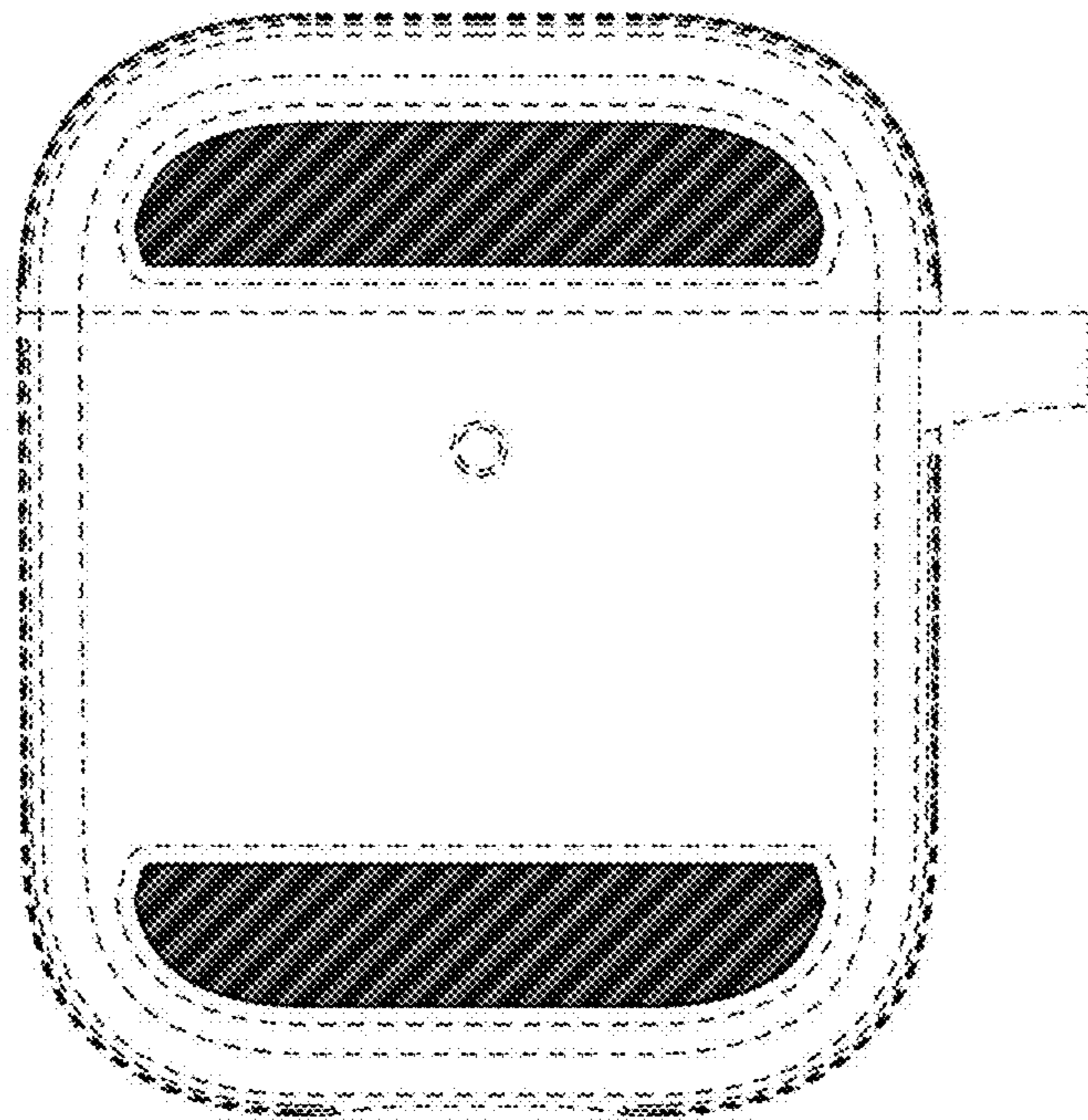


FIG. 4

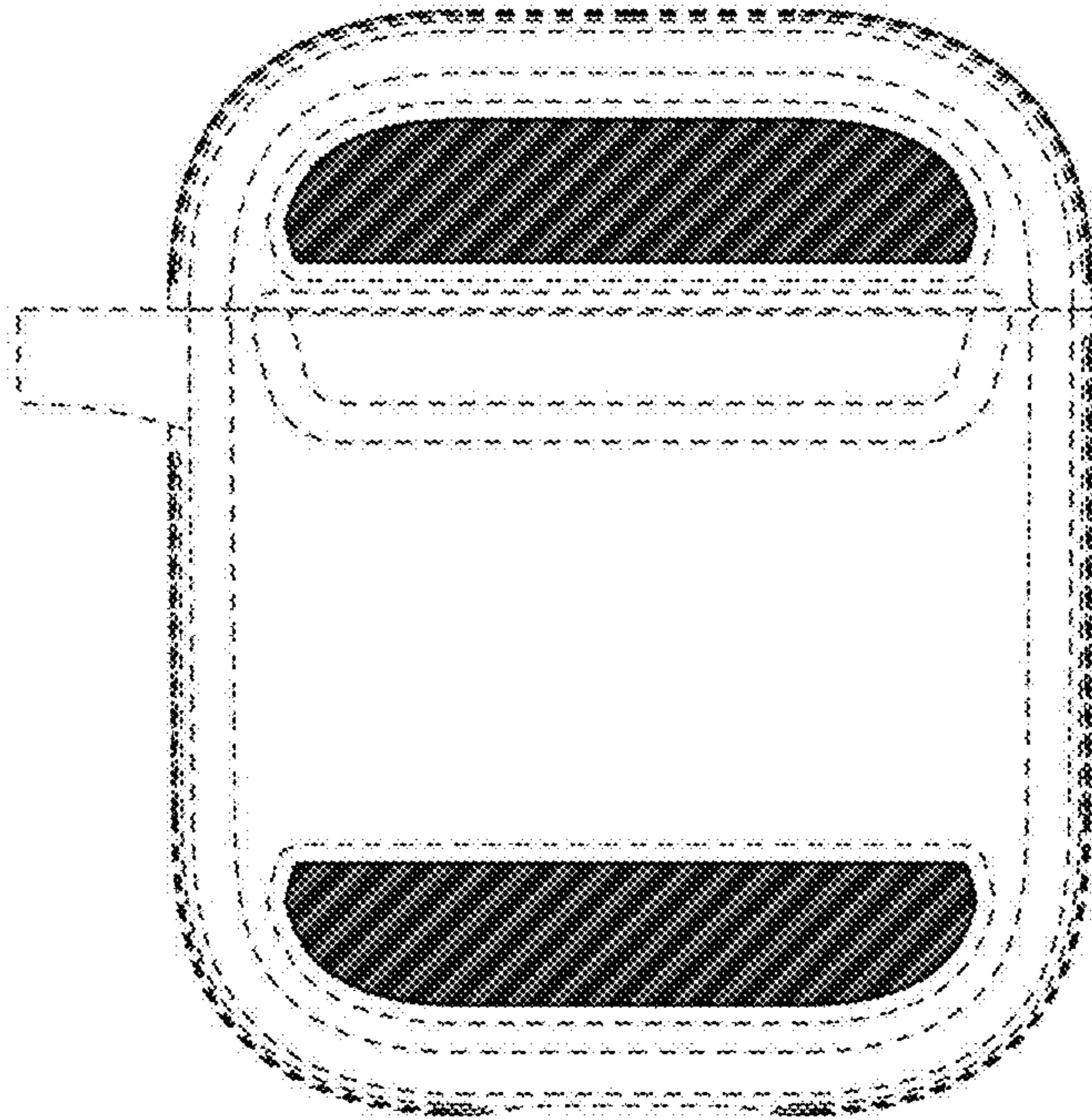


FIG. 5

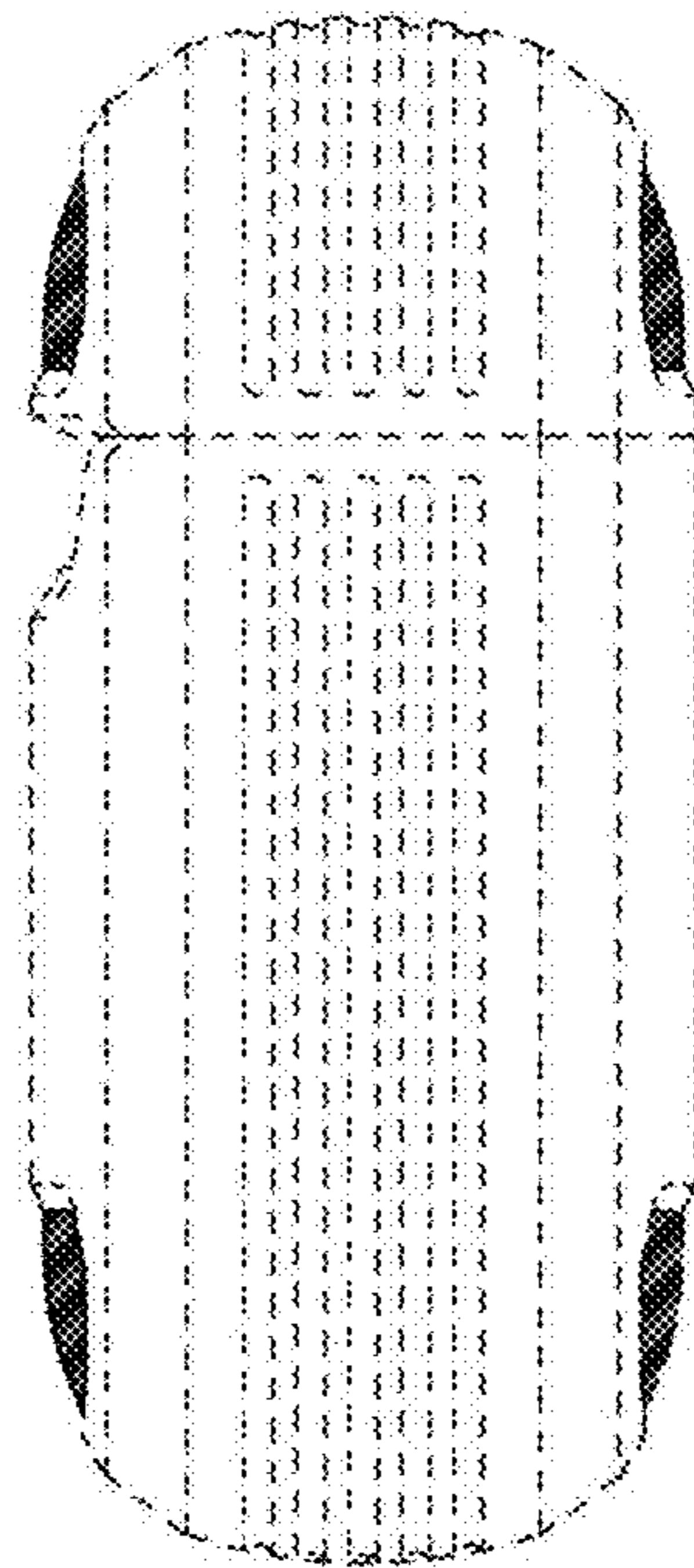


FIG. 6

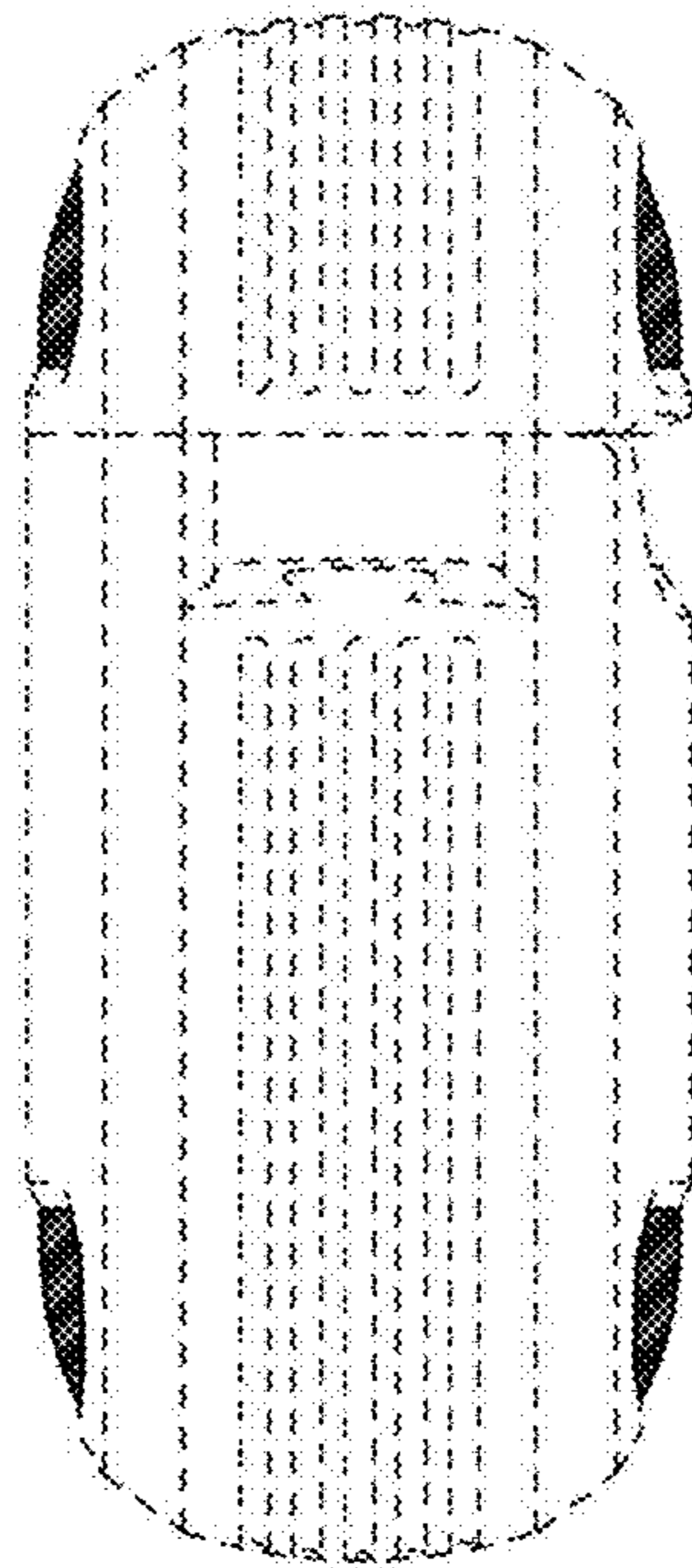


FIG. 7

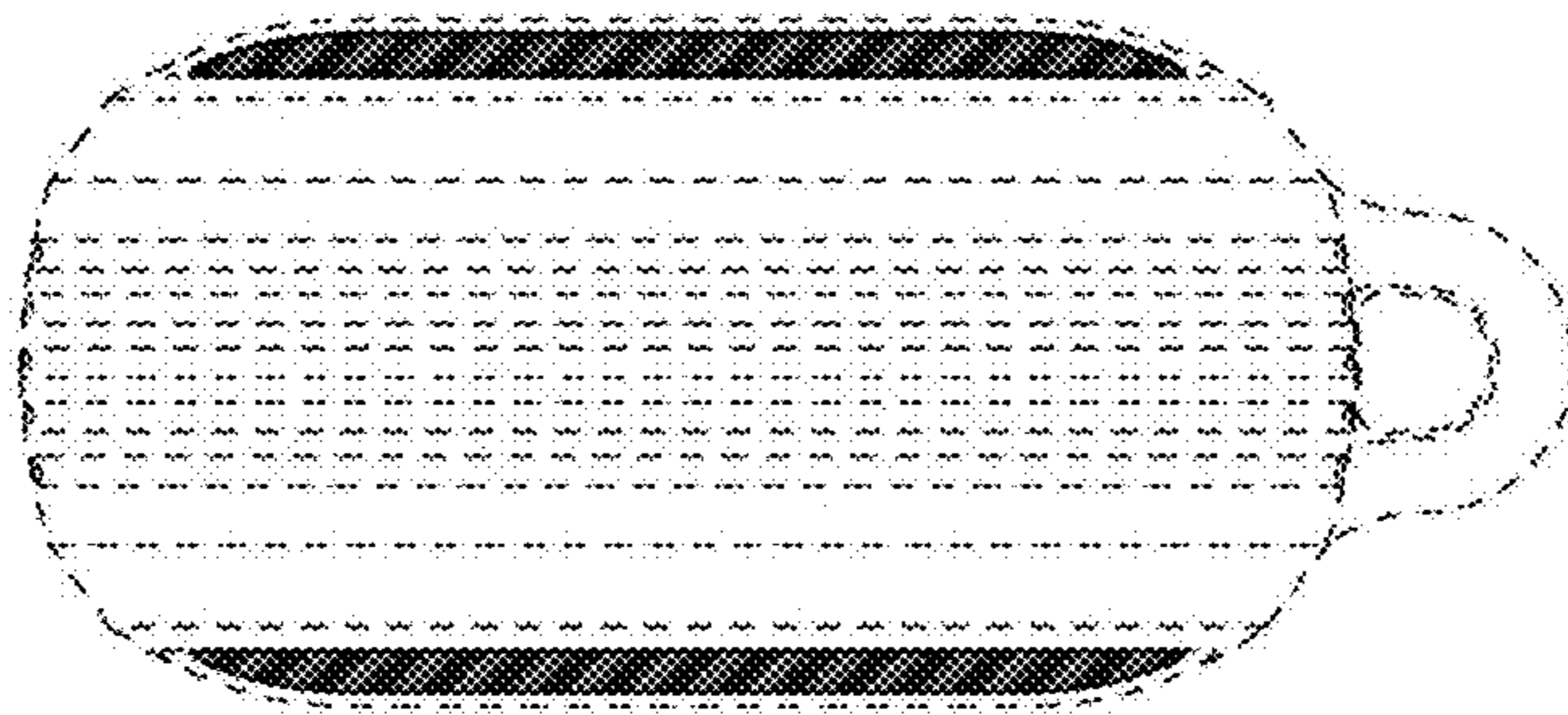


FIG. 8

