



US00D927186S

(12) **United States Design Patent**
Rees et al.

(10) **Patent No.:** **US D927,186 S**
(45) **Date of Patent:** **** Aug. 10, 2021**

(54) **MANUAL HANDLING DEVICE FOR GLASS LABORATORY BOTTLES**

3,794,370 A 2/1974 Lockhart et al.
3,820,695 A 6/1974 Pecjak
4,000,922 A 1/1977 Wade

(Continued)

(71) Applicant: **DWK Life Sciences GmbH**,
Wertheim/Main (DE)

(72) Inventors: **Alistair Rees**, Mainz (DE); **Matthias Schneider**, Heidesheim (DE)

(73) Assignee: **DWK LIFE SCIENCES GMBH**,
Wertheim/Main (DE)

(**) Term: **15 Years**

(21) Appl. No.: **29/658,911**

(22) Filed: **Aug. 3, 2018**

(30) **Foreign Application Priority Data**

Feb. 5, 2018 (EM) 004694339

(51) **LOC (13) Cl.** **03-01**

(52) **U.S. Cl.**
USPC **D3/316; D3/229**

(58) **Field of Classification Search**
USPC D3/316, 229; D7/392, 510, 511, 619.1;
D9/516, 530, 719, 761; D24/193, 194,
D24/195, 196, 197, 198, 199
CPC B65G 7/00; B65D 23/106
See application file for complete search history.

(56) **References Cited**

U.S. PATENT DOCUMENTS

844,239 A 2/1907 Bogel
2,409,684 A 10/1946 Jenkins
2,463,651 A 3/1949 Stevens
3,155,263 A 11/1964 Hidding
3,311,252 A 3/1967 Swartwood et al.
3,463,536 A 8/1969 Updegraff et al.
D227,043 S 5/1973 Van Den Berg

OTHER PUBLICATIONS

“Click and Carry—DWK Life Sciences gets a Handle on DURAN Bottle Transportation”. Found online Sep. 30, 2020 at labbulletin.com. Reference dated Jun. 22, 2018. Retrieved from <https://www.labbulletin.com/articles/20180606>.*

(Continued)

Primary Examiner — Kendra Leslie Hamilton

(74) *Attorney, Agent, or Firm* — Hodgson Russ LLP

(57) **CLAIM**

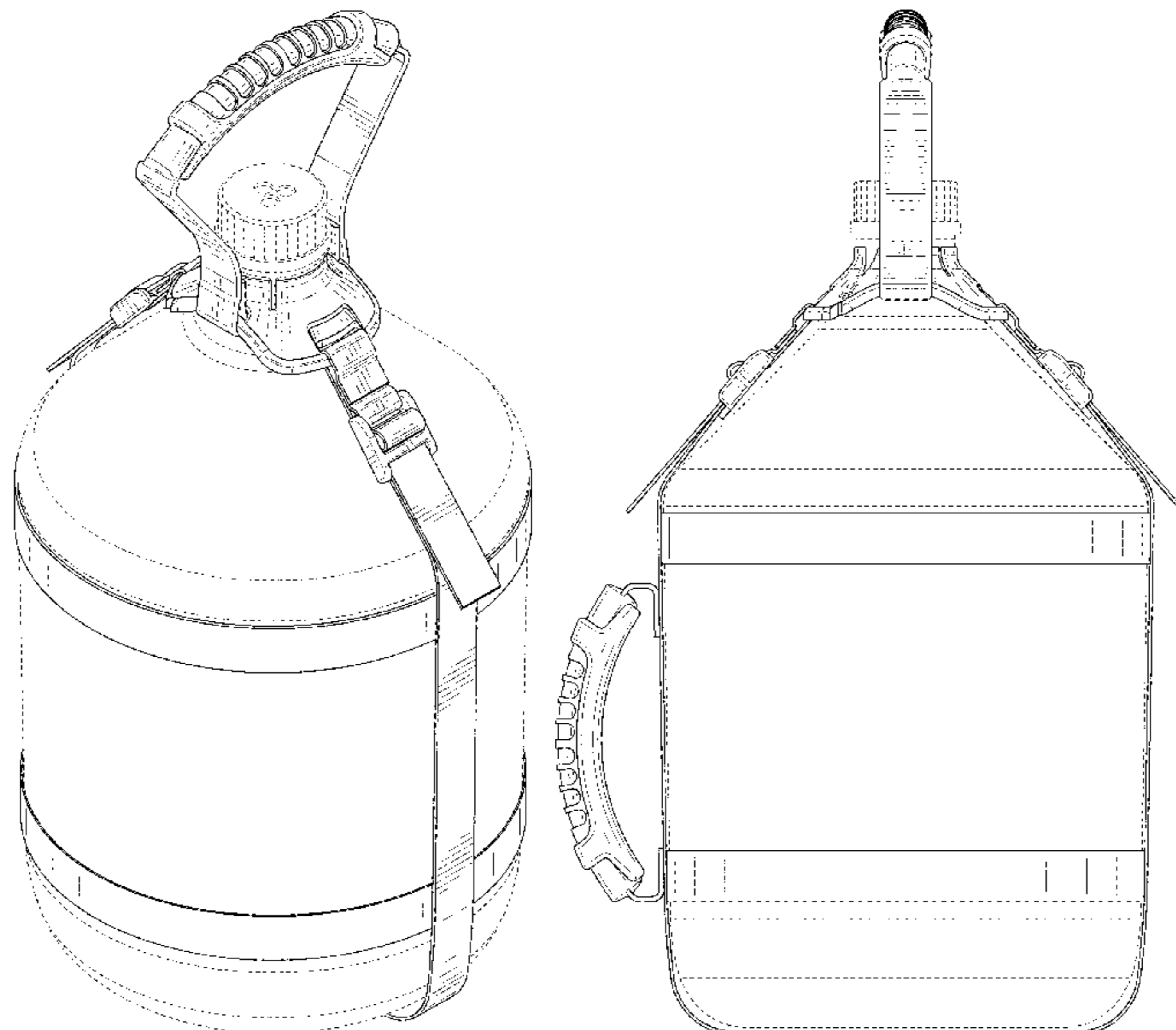
The ornamental design for a manual handling system for glass laboratory bottles, as shown and described.

DESCRIPTION

FIG. 1 is a left side elevation view of a first embodiment of a manual handling device for glass laboratory bottles; FIG. 2 is a top plan view thereof; FIG. 3 is a top-right-front perspective view thereof; FIG. 4 is a front elevation view thereof; FIG. 5 is a right side elevation view thereof; FIG. 6 is a rear elevation view thereof; FIG. 7 is a bottom plan view thereof; FIG. 8 is a left side elevation view of a second embodiment of a manual handling device for glass laboratory bottles; FIG. 9 is a top plan view thereof; FIG. 10 is a top-right-front perspective view thereof; FIG. 11 is a front elevation view thereof; FIG. 12 is a right side elevation view thereof; FIG. 13 is a rear elevation view thereof; and, FIG. 14 is a bottom plan view thereof.

The broken lines in the figures depict portions of the manual handling device for glass laboratory bottles that form no part of the claimed design.

1 Claim, 14 Drawing Sheets



(56)

References Cited

U.S. PATENT DOCUMENTS

4,090,729 A 5/1978 Erickson
 4,116,374 A 9/1978 Garello
 4,231,605 A 11/1980 Newman
 4,236,743 A 12/1980 Fox
 4,248,470 A 2/1981 Yuda et al.
 4,300,612 A 11/1981 Schroeder, Jr. et al.
 4,310,110 A 1/1982 Dexter
 4,336,899 A 6/1982 Price, II
 4,379,578 A 4/1983 Schuler
 4,463,978 A 8/1984 Mountain et al.
 4,486,043 A 12/1984 Rais
 4,579,237 A 4/1986 Gagnon
 4,582,215 A 4/1986 Barrash
 4,660,876 A 4/1987 Weldin et al.
 4,667,359 A 5/1987 Polotti
 4,795,202 A 1/1989 Mader
 D299,790 S * 2/1989 Paul D3/316
 4,834,438 A 5/1989 Haidet
 4,866,813 A 9/1989 Dupont
 4,896,913 A 1/1990 Kennedy
 4,982,868 A 1/1991 Robbins, III
 5,085,477 A 2/1992 Gagnon
 5,147,079 A 9/1992 Heather
 5,176,280 A 1/1993 Robbins, III
 D340,789 S 10/1993 Merritt
 5,255,947 A 10/1993 Schwartz
 D350,483 S * 9/1994 Escobedo D9/455
 D350,879 S 9/1994 Gelston
 5,407,110 A 4/1995 Marsh, Jr.
 5,505,353 A 4/1996 Marsh, Jr.
 5,531,495 A 7/1996 Hohman
 5,622,346 A 4/1997 Story, Jr.
 D379,119 S 5/1997 Wolfe et al.
 5,641,189 A 6/1997 Landman
 5,680,958 A 10/1997 Mann et al.
 5,735,562 A 4/1998 Borg
 5,806,904 A 9/1998 Smith
 D399,049 S 10/1998 Adams
 D403,162 S 12/1998 Williams
 D408,277 S 4/1999 Erickson
 5,897,150 A 4/1999 Rubini
 D410,335 S 6/1999 Raich
 D419,392 S 1/2000 Schlebusch
 6,042,164 A 3/2000 Merritt
 6,161,885 A 12/2000 Walker
 D447,862 S 9/2001 Vagelatos et al.
 D453,095 S 1/2002 Bailey
 6,378,924 B1 4/2002 McCrumb
 6,394,517 B1 5/2002 Borg
 6,651,838 B2 11/2003 Bissell
 6,729,665 B1 5/2004 Posey et al.
 D492,161 S 6/2004 Kaller et al.
 D499,015 S * 11/2004 Schwartz D3/316
 D502,366 S 3/2005 Strepkoff

D517,314 S * 3/2006 Moyer D3/229
 D525,792 S * 8/2006 Leighton D3/316
 7,182,379 B2 * 2/2007 Davis A45F 3/14
 294/152
 D540,031 S 4/2007 Bouchard
 D542,537 S 5/2007 Schwartz et al.
 7,228,982 B2 6/2007 Nielson
 7,284,777 B1 10/2007 Kraemer
 7,311,343 B2 * 12/2007 Callebresi A45F 5/10
 294/15
 7,399,017 B1 7/2008 Lasseigne
 D581,162 S 11/2008 Walker et al.
 D617,552 S 6/2010 Martin, Jr.
 D623,023 S 9/2010 Proano
 D625,513 S * 10/2010 Carnes D7/624.2
 D630,098 S 1/2011 Enthoven
 7,909,202 B1 3/2011 Gordon
 D643,289 S 8/2011 Harlan
 7,988,213 B2 8/2011 Muhlfelder
 D655,090 S * 3/2012 Puckett D3/327
 D682,544 S 5/2013 Raich
 D700,526 S 3/2014 Borg et al.
 D704,551 S 5/2014 Wycoff
 D704,937 S 5/2014 Cutler
 8,979,153 B2 3/2015 Scribner
 D764,162 S * 8/2016 Seda D3/202
 D867,760 S * 11/2019 Merritt D3/316
 2003/0184103 A1 * 10/2003 Cauchy B65D 23/005
 294/27.1
 2005/0167289 A1 8/2005 Borg
 2013/0008915 A1 1/2013 Dorn
 2018/0050183 A1 * 2/2018 Taylor A61J 1/1412

OTHER PUBLICATIONS

“Daraz: New Design Water Bottle Lifting Handle”. Found online Sep. 30, 2020 at daraz.pk. Reference dated Apr. 28, 2018. Retrieved from <https://www.daraz.pk/products/new-design-water-bottle-lifting-handle-i109810710.html>.*

“DWK: New Duran GL 45 Glass Laboratory Bottle Carrying System”. Found online Sep. 30, 2020 at youtube.com. Reference dated Jan. 22, 2018. Retrieved from https://www.youtube.com/watch?v=r_px0NUWITY.*

“Bottle Hauler—Bottle Hauler, Carboy Carrier, Bottle”, Bottle Hauler, accessed 2019, <https://bottlehauler.com/shop?olsPage=products>.

“FerMonster TM / Carboy Carrier,” The Vintage Shop, accessed 2019, <http://www.thevintageshop.ca/products/carboy-carrier.html>.

“Products & Solutions,” DWK Life Sciences, accessed 2019, <http://www.duran-group.com/en/products-solutions/laboratory-glassware/products/new-products.html>.

“Duran Bottle Types,” DWK Life Sciences, accessed 2019, <https://www.duran-bottle-system.com/>.

* cited by examiner

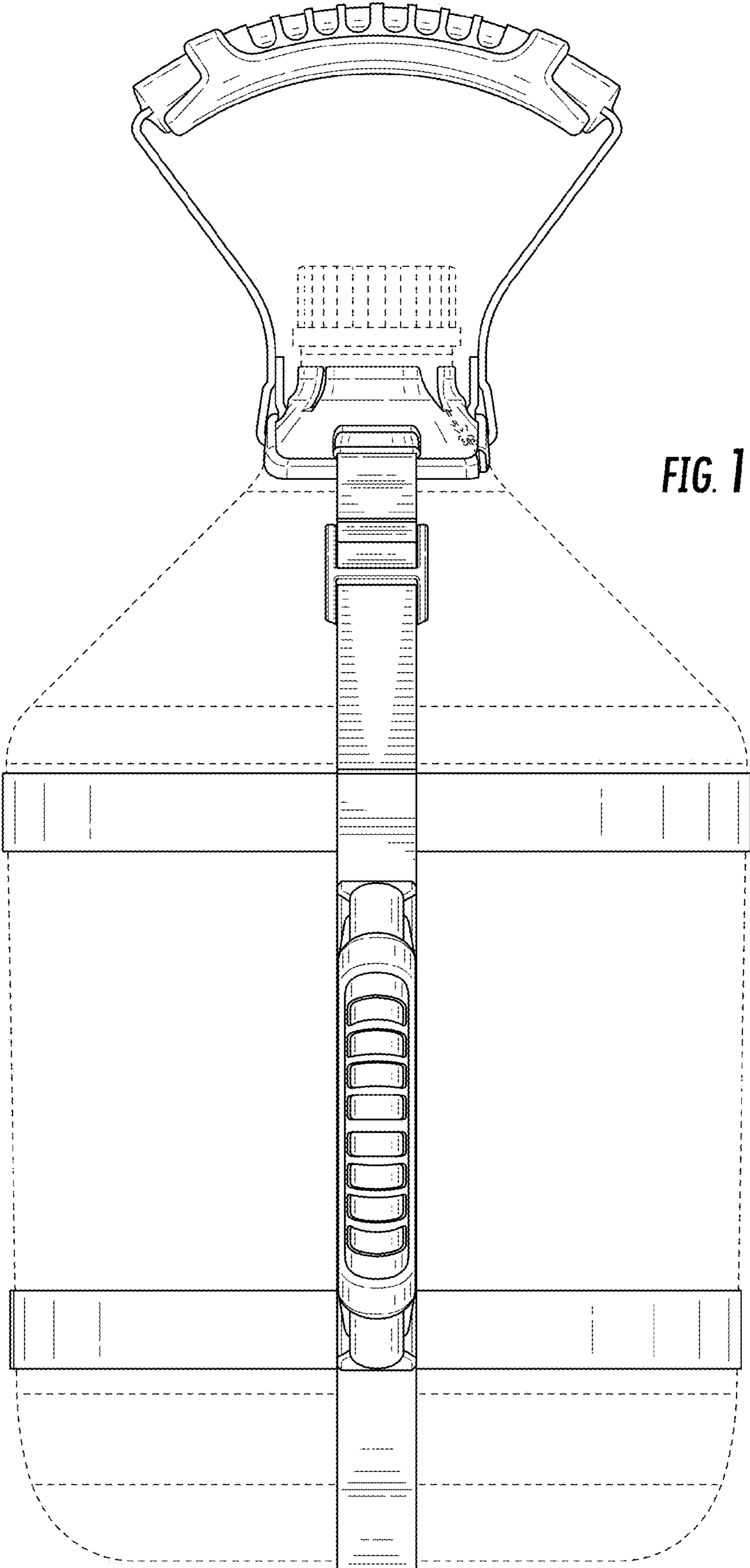


FIG. 1

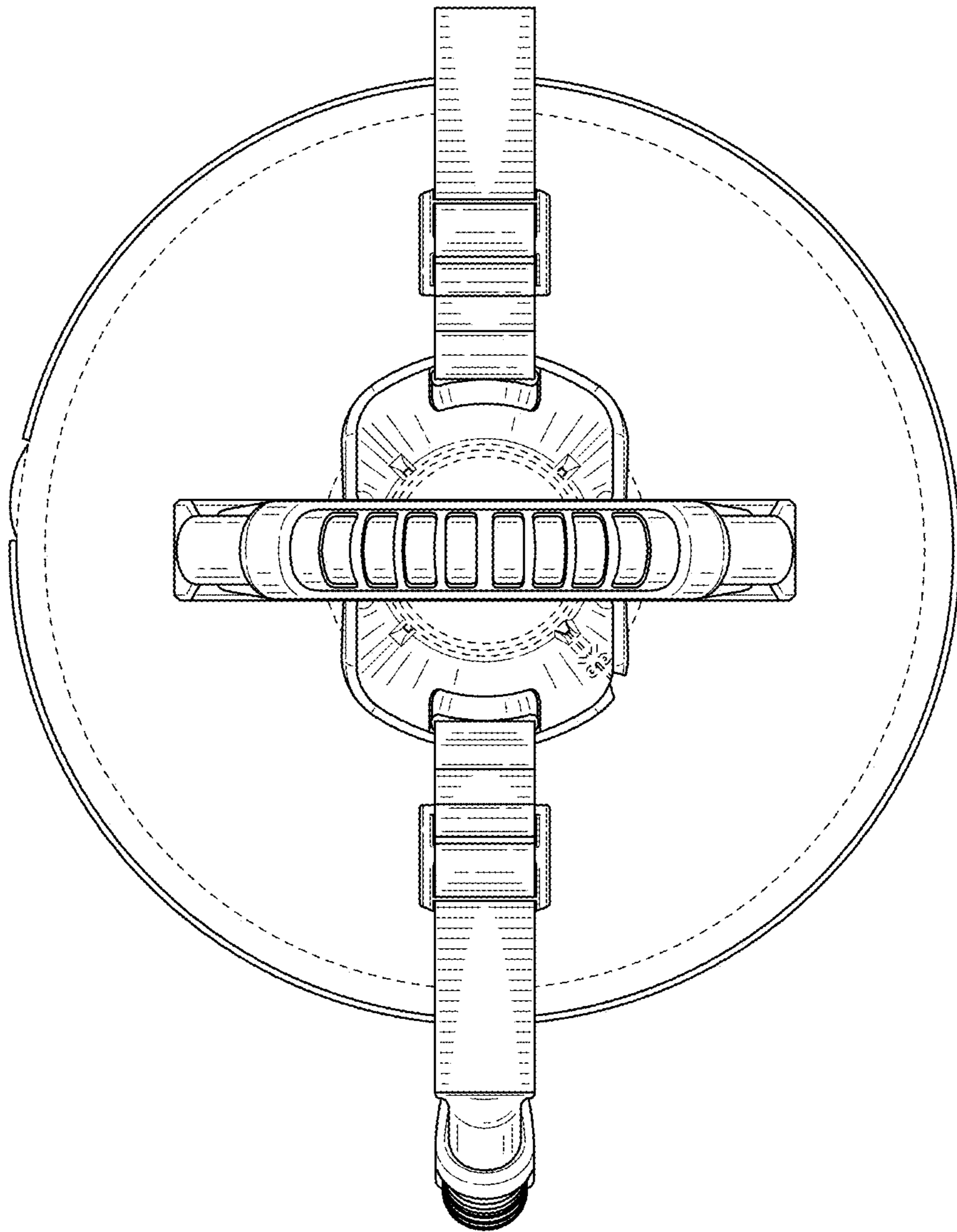


FIG. 2

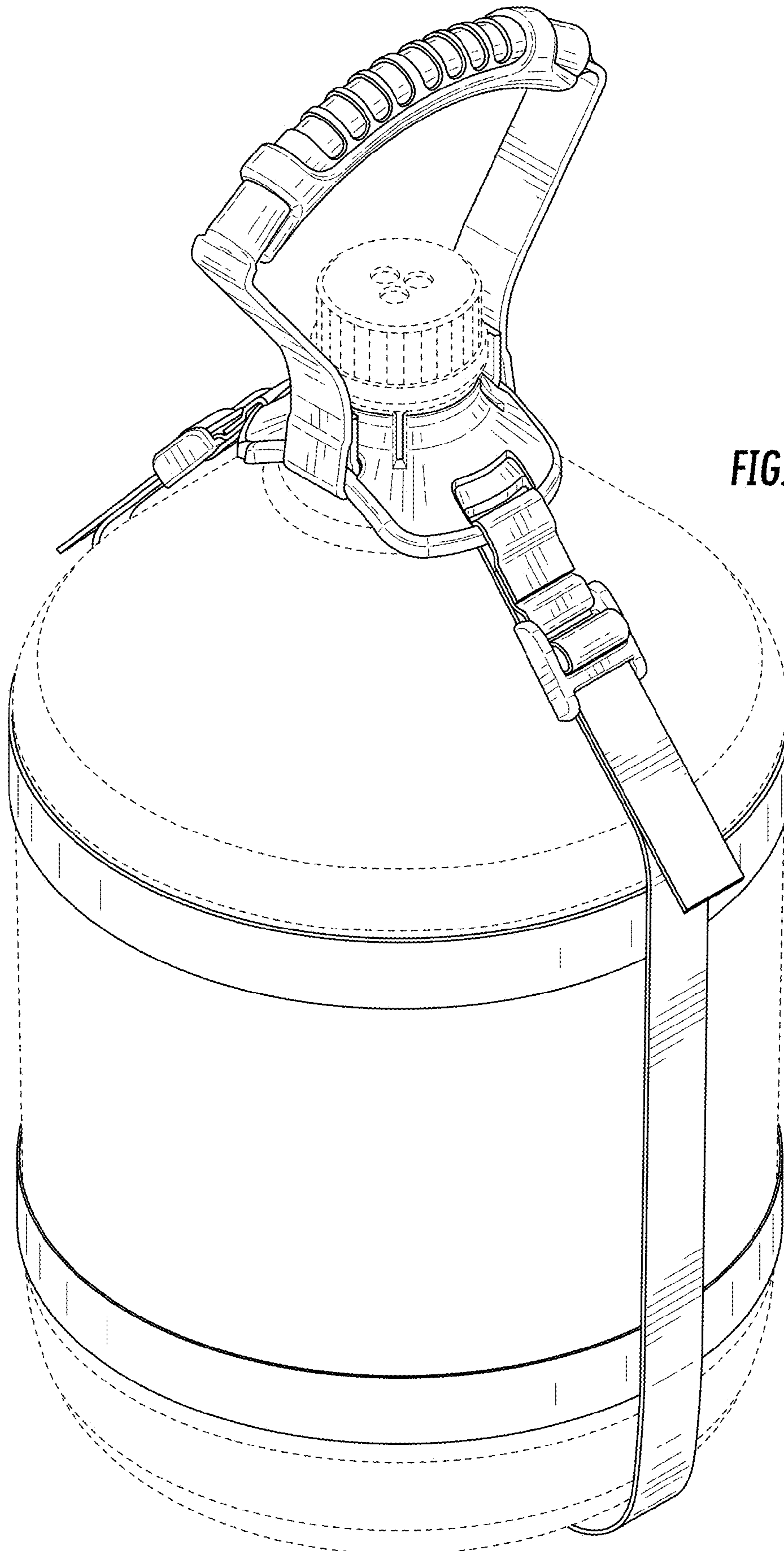
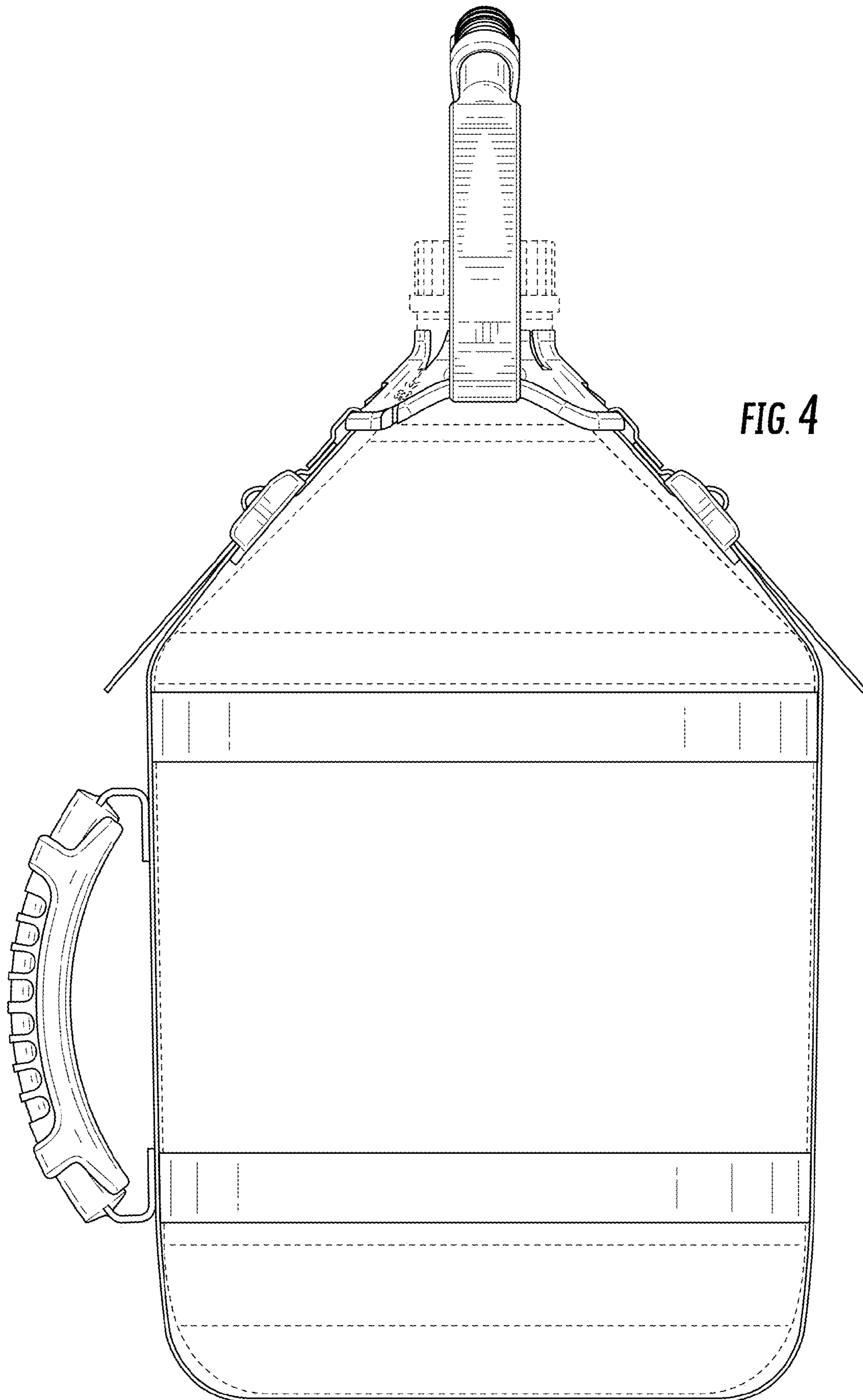


FIG. 3



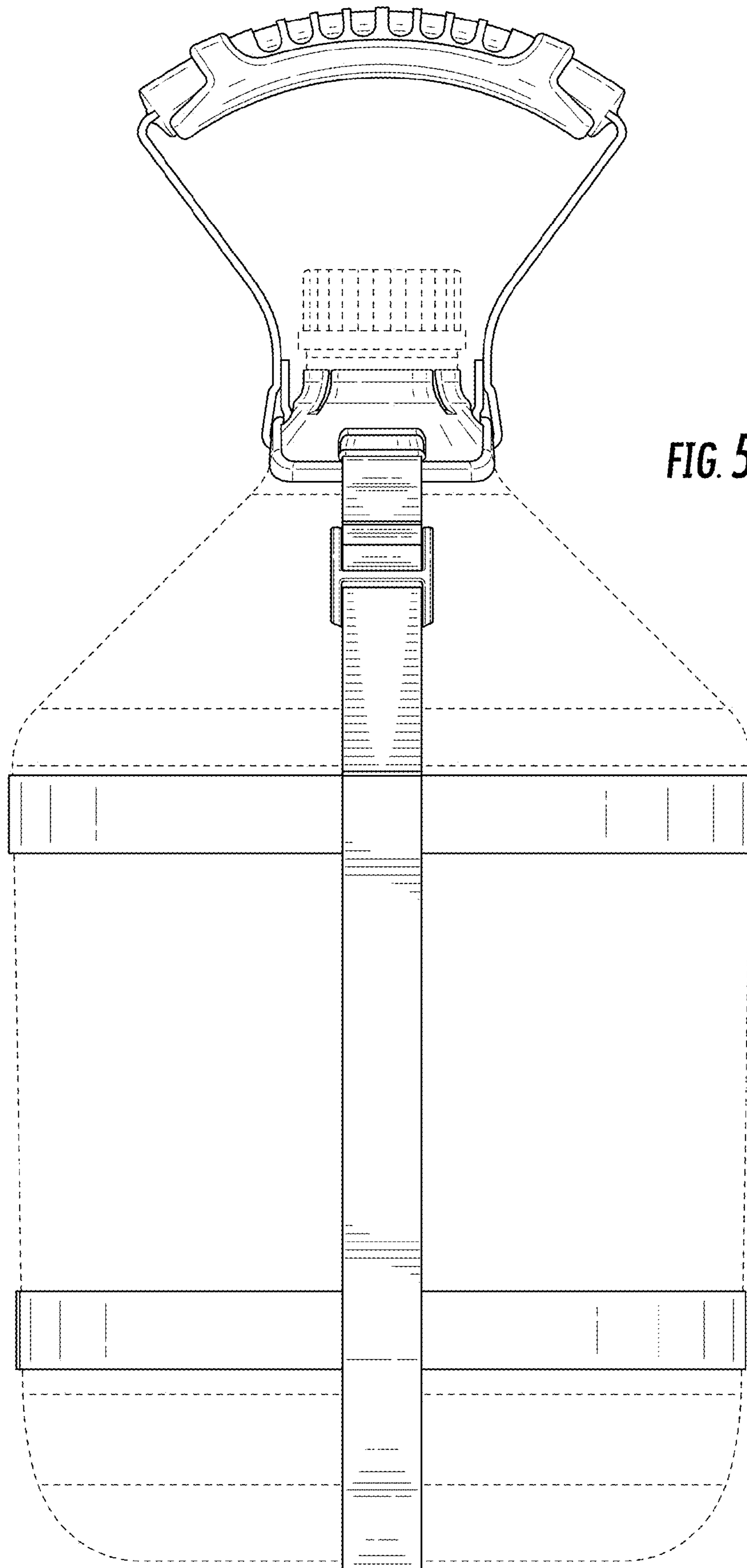
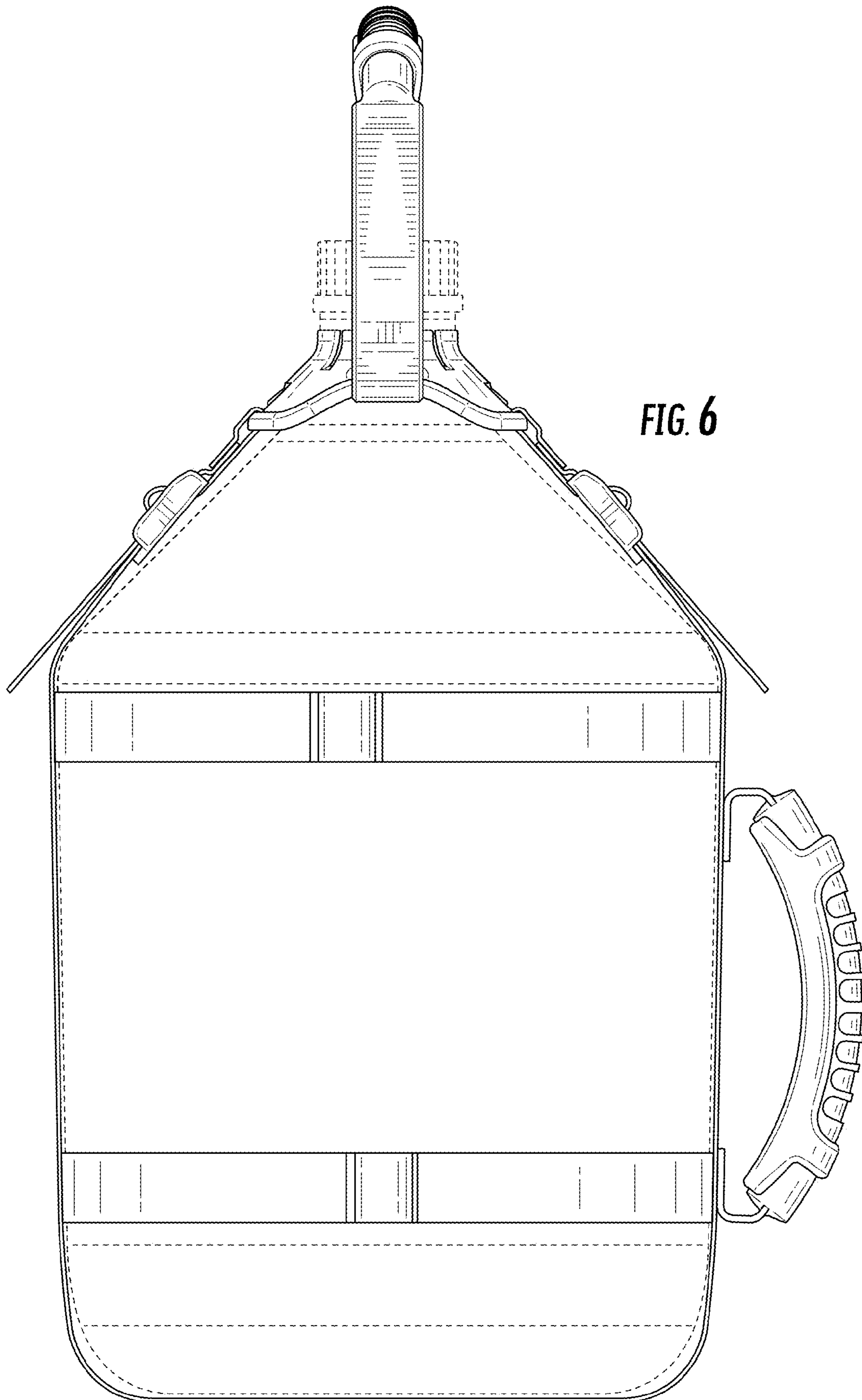


FIG. 5



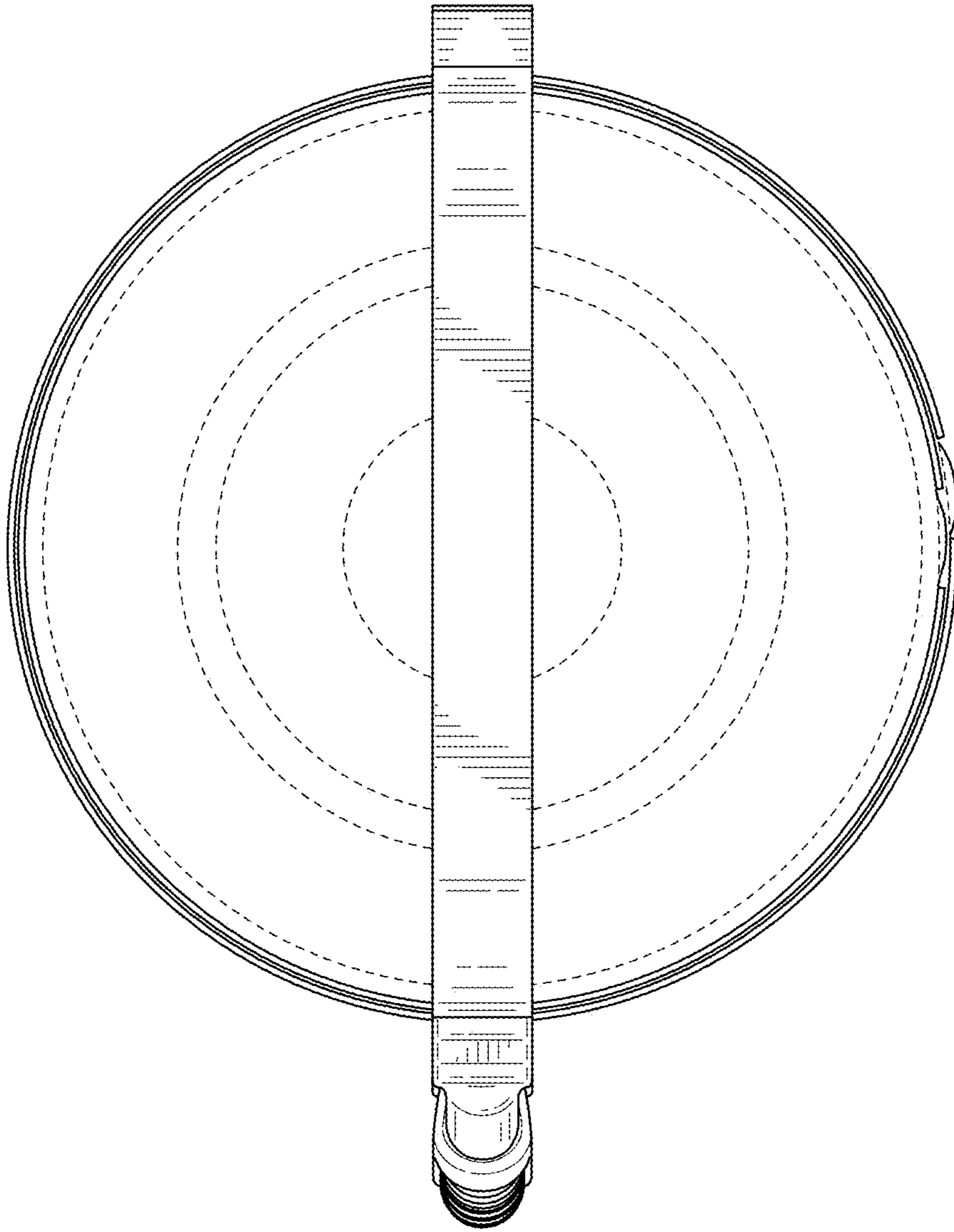
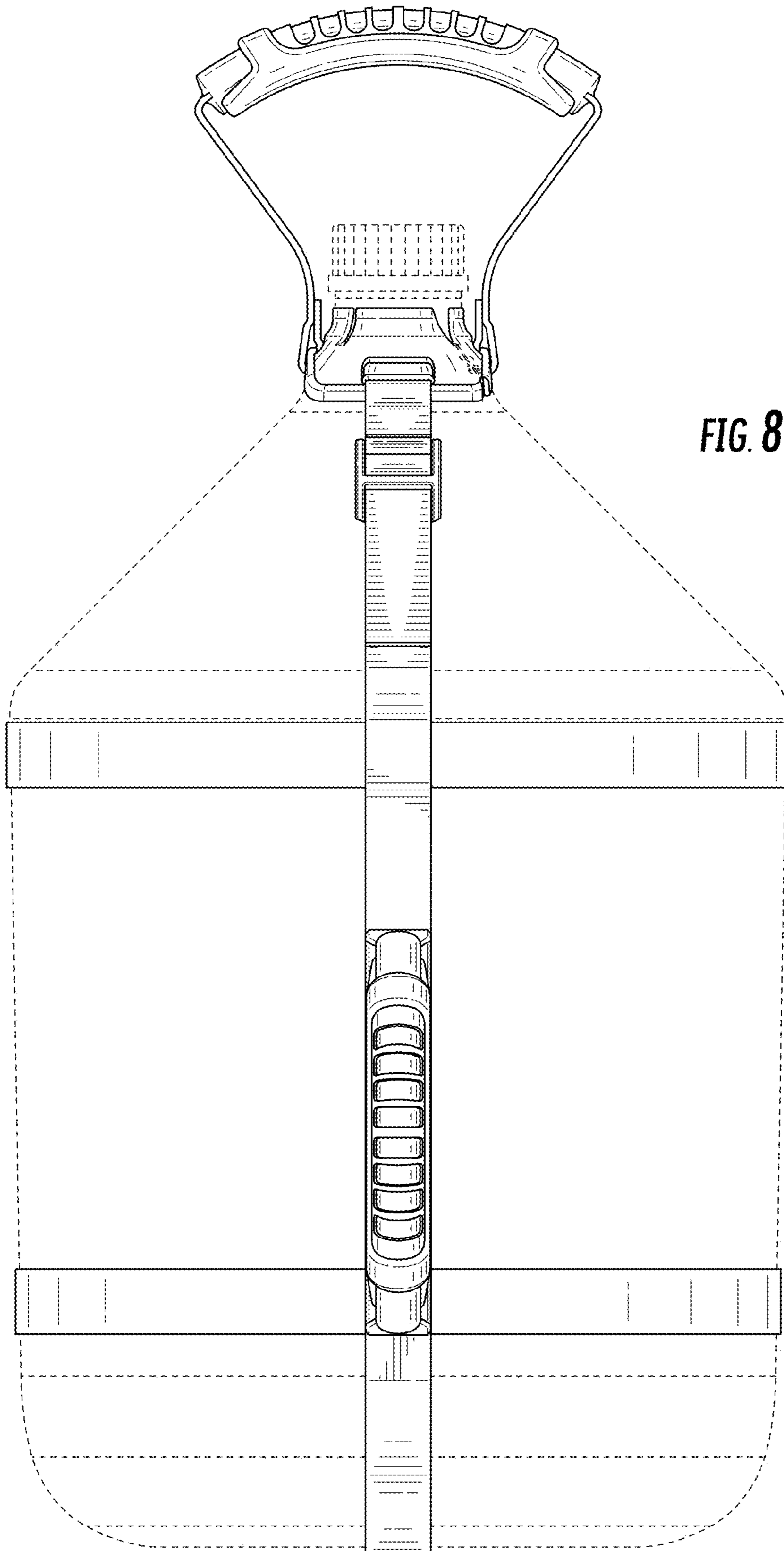


FIG. 7



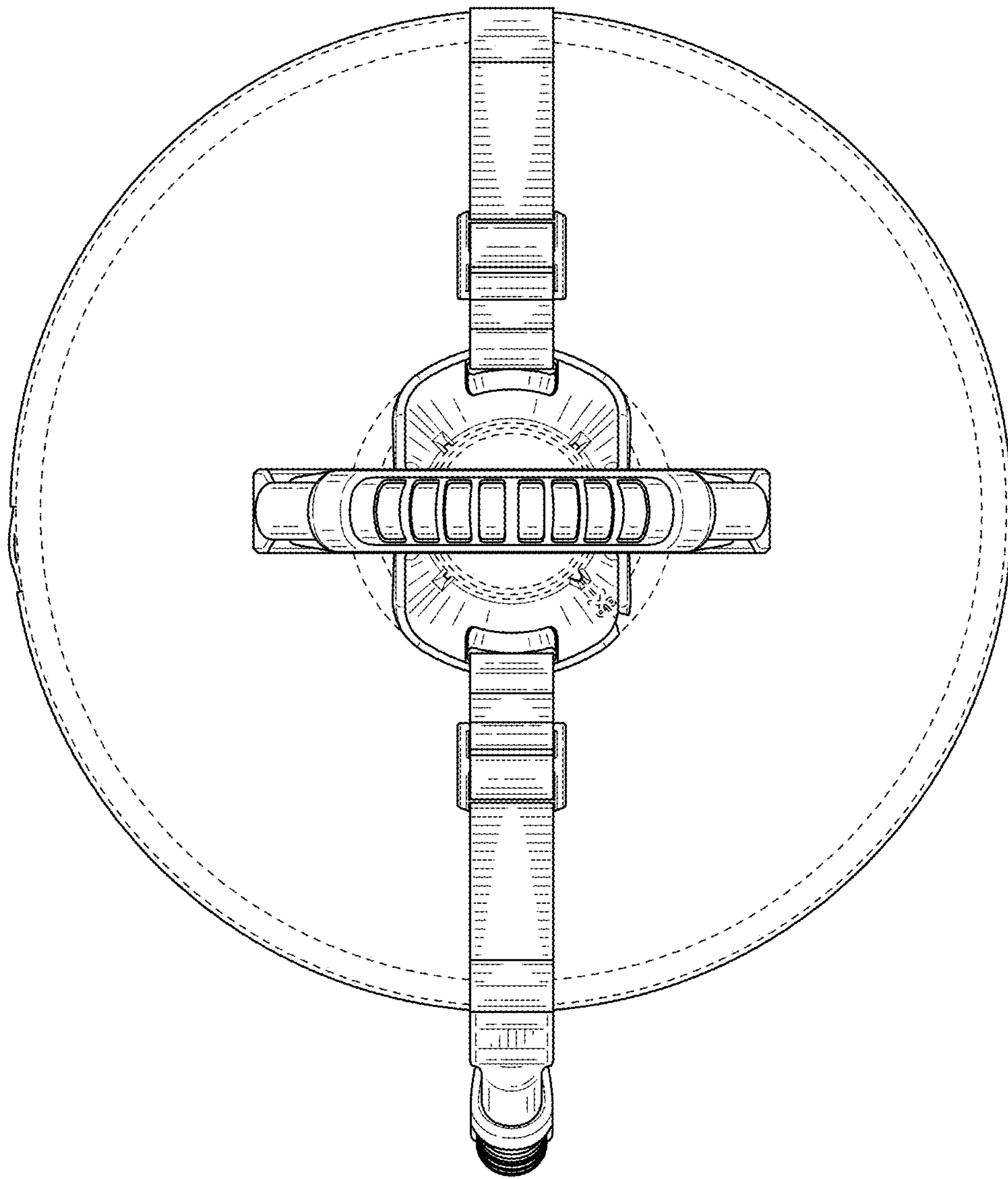


FIG. 9

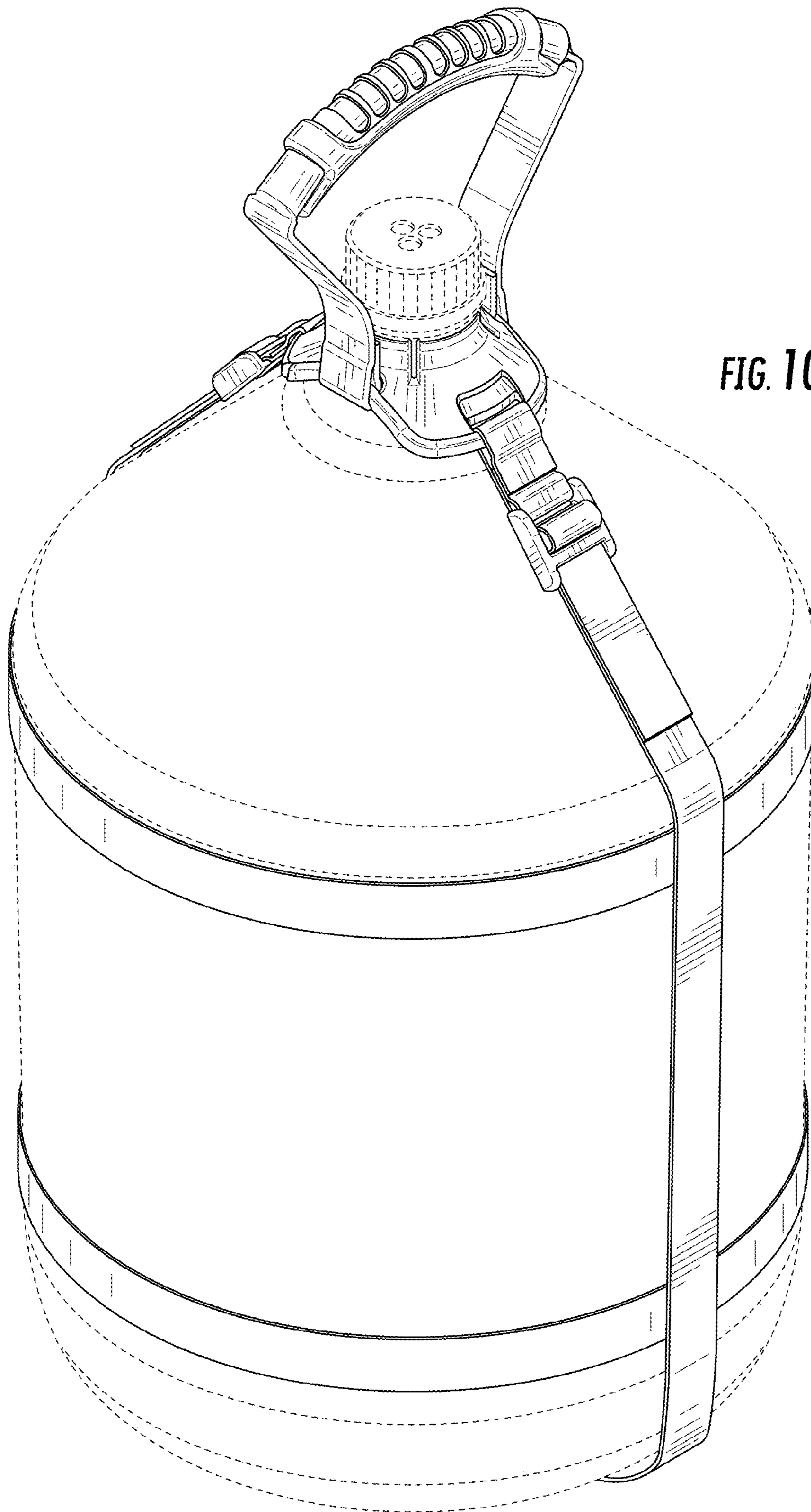
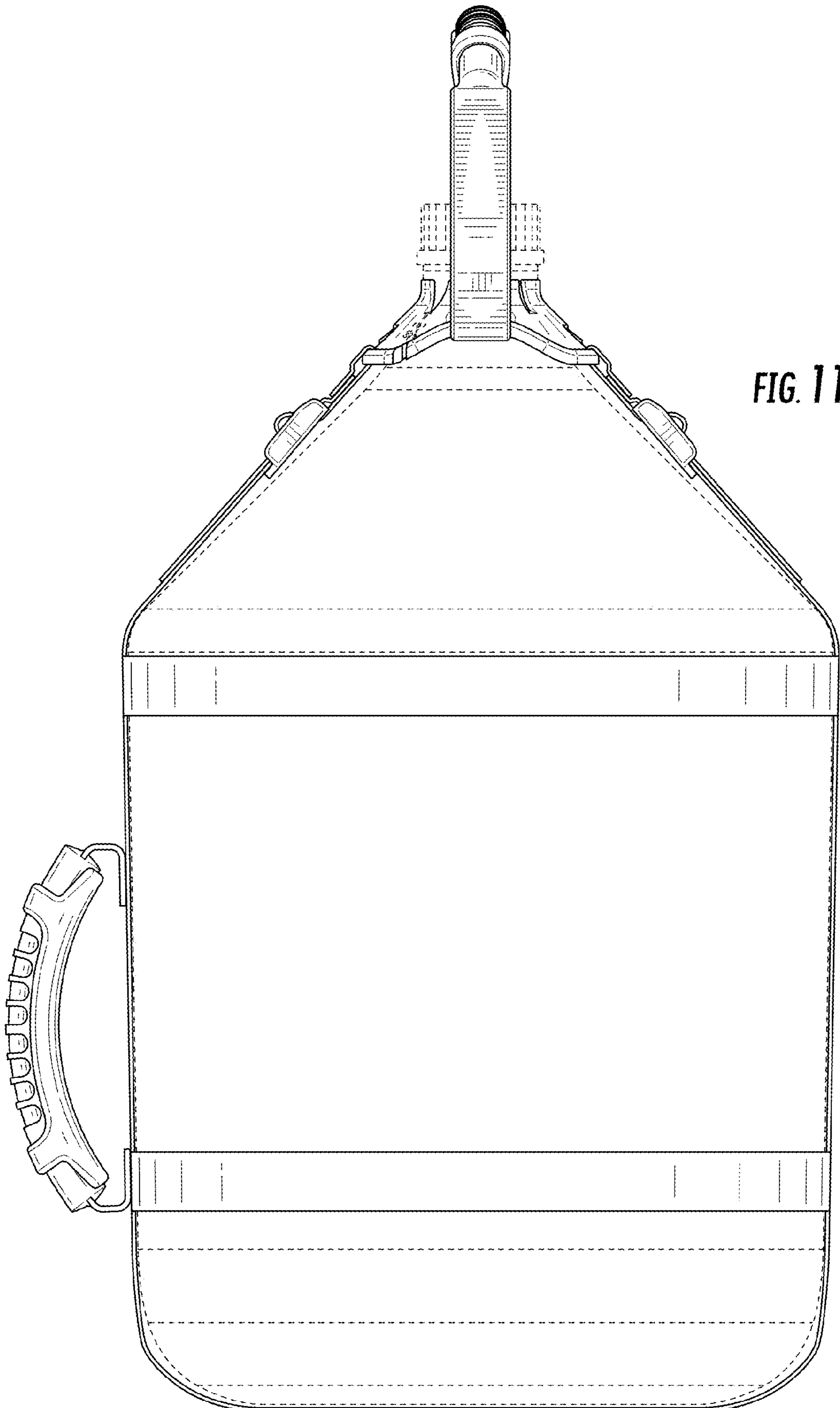
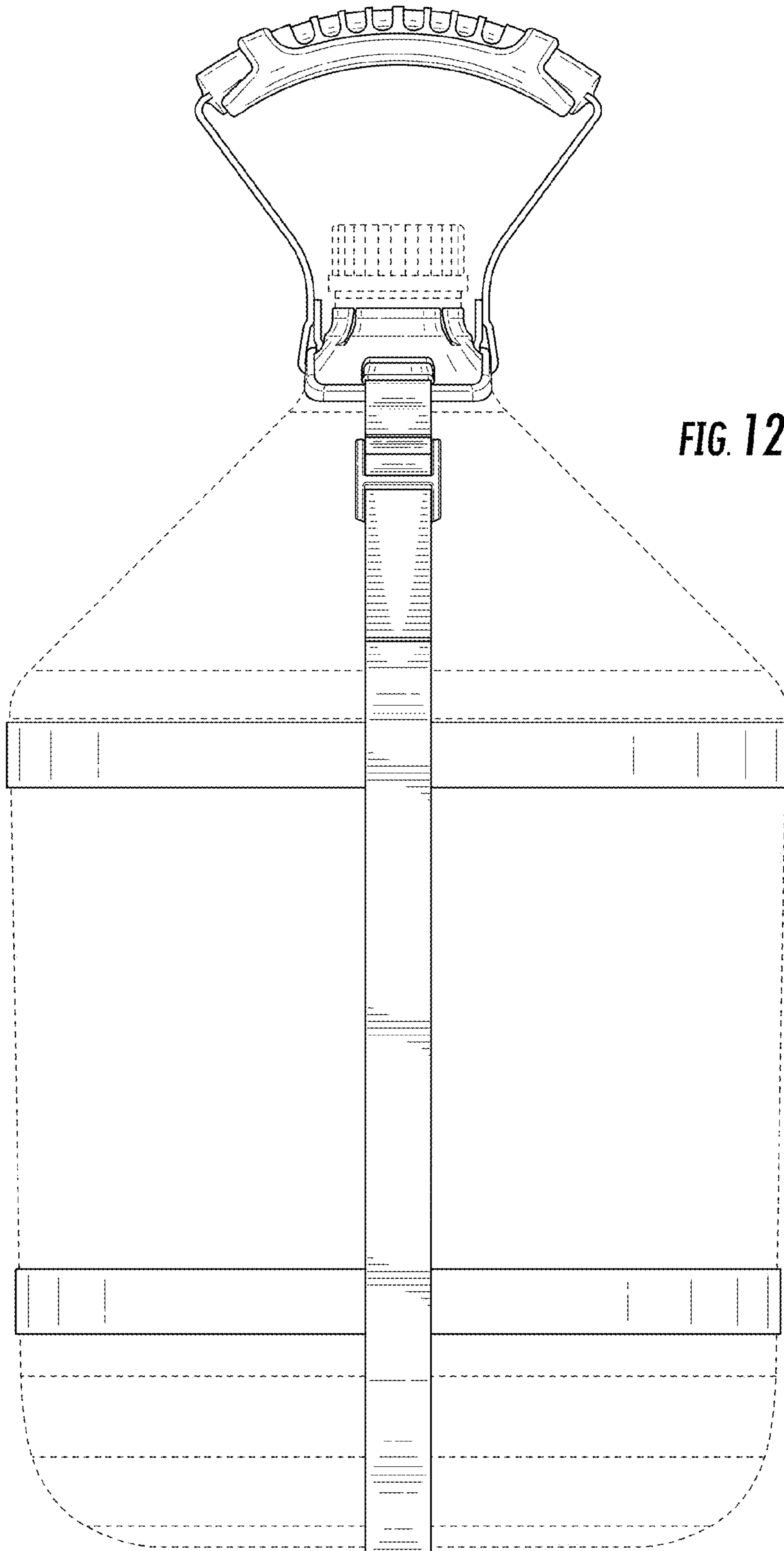
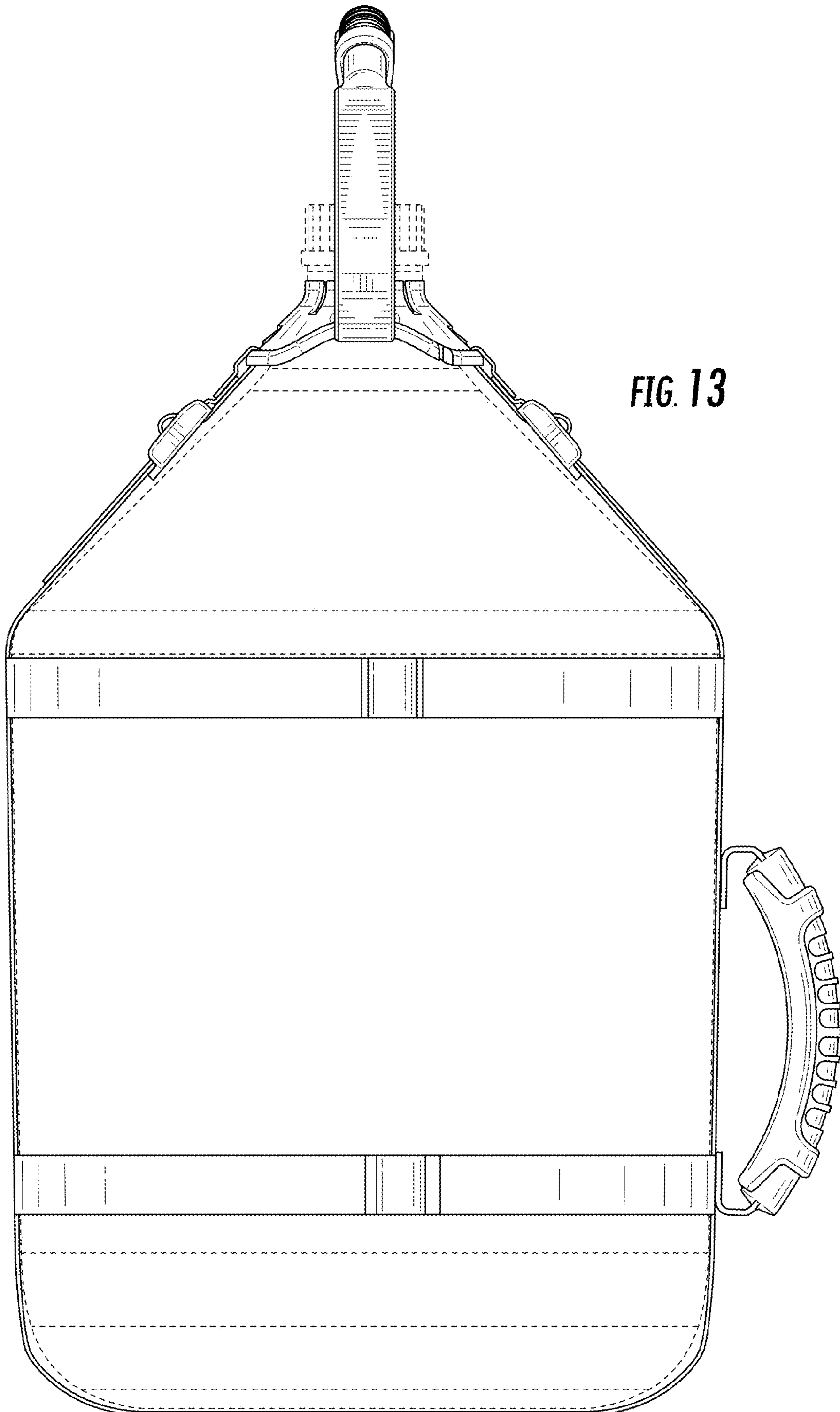


FIG. 10







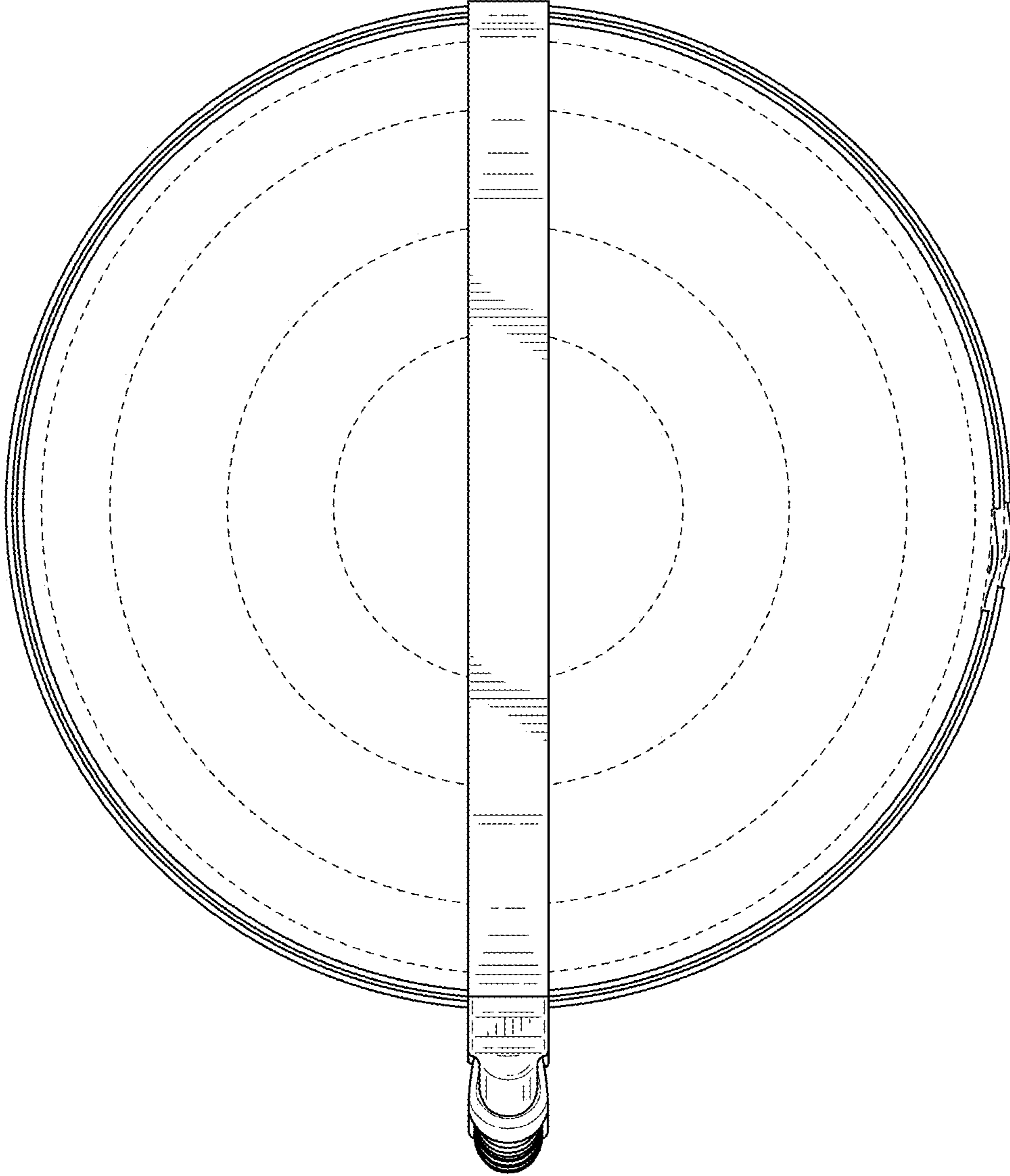


FIG. 14