



US00D927185S

(12) **United States Design Patent**
Sadikoglu

(10) **Patent No.:** **US D927,185 S**

(45) **Date of Patent:** **** Aug. 10, 2021**

(54) **POUCH FOR EARBUD CHARGING CASE**

(71) Applicant: **Ahmet Sadikoglu**, Istanbul (TR)

(72) Inventor: **Ahmet Sadikoglu**, Istanbul (TR)

(**) Term: **15 Years**

(21) Appl. No.: **29/719,532**

(22) Filed: **Jan. 6, 2020**

(51) **LOC (13) Cl.** **03-01**

(52) **U.S. Cl.**
USPC **D3/303**

(58) **Field of Classification Search**

USPC D3/203.1–203.3, 203.6, 205, 206, 226,
D3/227, 230, 232, 242, 243, 245–247,
D3/249–251, 253, 258, 267, 268,
D3/273–276, 283–291, 294, 295,
D3/299–301, 303, 900, 901, 903;
D28/73, 76

CPC A45C 1/02; A45C 1/04; A45C 1/06; A45C
1/024; A45C 3/00; A45C 3/02; A45C
3/04; A45C 3/06; A45C 3/08; A45C
3/004; A45C 5/00; A45C 5/02; A45C
5/03; A45C 5/04; A45C 5/06; A45C
5/005; A45C 7/00; A45C 7/0036; A45C
7/0086; A45C 7/059;

(Continued)

(56) **References Cited**

U.S. PATENT DOCUMENTS

2,938,441 A * 5/1960 Klingenstein A45C 11/38
294/139

D338,338 S * 8/1993 Zaglin D3/299

(Continued)

FOREIGN PATENT DOCUMENTS

KR 301021184.0000 * 8/2019

KR 3020190001244 * 9/2019

OTHER PUBLICATIONS

Wallet Style Leather Case for AirPods Pro, unknown first available date, iLounge.com [online], [site visited Jan. 8, 21], Available at internet URL: <https://ilounge.shop/product/wallet-style-leather-case-for-airpods-pro/> (Year: 2021).*

(Continued)

Primary Examiner — Jeffrey D Asch

Assistant Examiner — Caitlin Ann Laverty

(74) *Attorney, Agent, or Firm* — Matthew G. McKinney, Esq.; Allen, Dyer et al.

(57) **CLAIM**

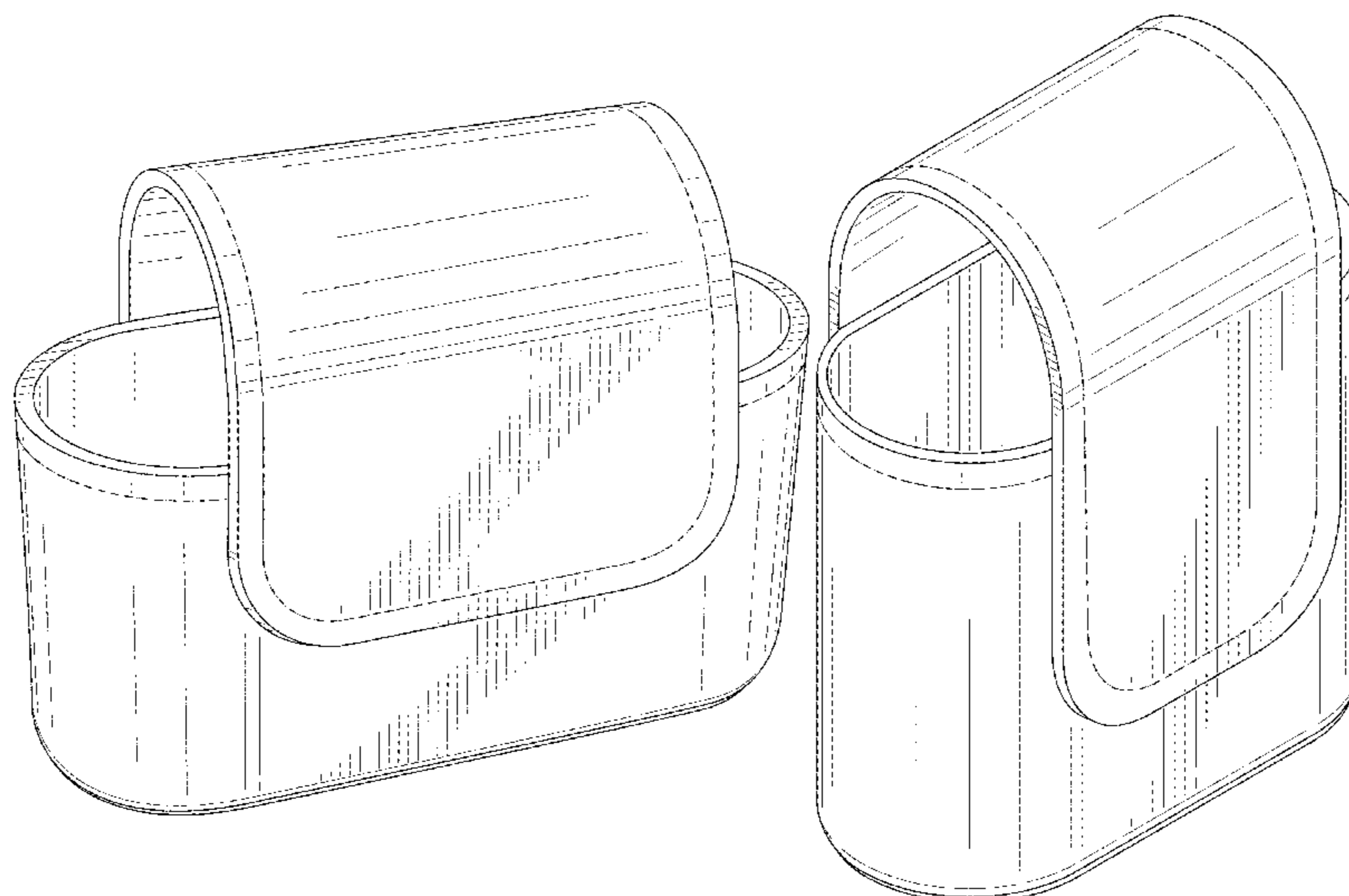
The ornamental design for a pouch for earbud charging case, as shown and described.

DESCRIPTION

FIG. 1 is a front perspective view of a first embodiment of a pouch for earbud charging case; FIG. 2 is a front elevational view thereof; FIG. 3 is a rear elevational view thereof; FIG. 4 is a top view thereof; FIG. 5 is a bottom view thereof; FIG. 6 is a right side elevational view thereof; FIG. 7 is a left side elevational view thereof; FIG. 8 is a front perspective view showing the first embodiment of the pouch open; FIG. 9 is a front perspective view of a second embodiment of a pouch for earbud charging case; FIG. 10 is a front elevational view thereof; FIG. 11 is a rear elevational view thereof; FIG. 12 is a top view thereof; FIG. 13 is a bottom view thereof; FIG. 14 is a right side elevational view thereof; FIG. 15 is a left side elevational view thereof; and, FIG. 16 is a front perspective view showing the second embodiment of the pouch open.

The broken lines shown in FIGS. 8 and 16 are included for the purpose of illustrating an earbud charging case and forms no part of the claimed design.

1 Claim, 12 Drawing Sheets



(58) **Field of Classification Search**

CPC A45C 9/00; A45C 11/00; A45C 11/16;
 A45C 11/24; A45C 11/26; A45C 11/38;
 A45C 11/008; A45C 13/02; A45C 13/08;
 A45C 13/26; A45C 13/30; A45C 13/185;
 A45C 15/00; A45C 2003/007; A45C
 2003/008; A45C 2011/003; A45C
 2011/007; A45C 2200/05; A45C 2200/10;
 A45F 5/00; A45F 5/02; A45F 5/021;
 A45F 2200/02; A45F 2200/0525; B65D
 75/00; B65D 85/00; B65D 85/68

See application file for complete search history.

8,891,800	B1	11/2014	Shaffer	
9,148,717	B2	9/2015	Shaffer	
D806,388	S	1/2018	Akana et al.	
D899,411	S *	10/2020	Liu	D14/250
2004/0134954	A1 *	7/2004	Myron	B25H 3/00 224/576
2012/0314421	A1 *	12/2012	Infanti	A45C 11/00 362/311.02
2013/0068641	A1 *	3/2013	Puglisi	A61J 1/16 206/232
2017/0094394	A1	3/2017	McPeak et al.	
2018/0116352	A1 *	5/2018	Despain	A45C 11/182
2018/0228274	A1 *	8/2018	Kovac	A45C 15/00
2018/0367883	A1	12/2018	Minoo et al.	

(56)

References Cited

U.S. PATENT DOCUMENTS

D361,199	S *	8/1995	Taylor	D3/226
D412,059	S *	7/1999	White	D3/215
D455,256	S *	4/2002	Tyler	D3/219
D534,721	S *	1/2007	Hussaini	D3/218
D606,299	S *	12/2009	Boomhour	D3/201
D606,303	S *	12/2009	Fahrendorff	D3/218
D620,258	S *	7/2010	Fahrendorff	D3/299
D630,016	S *	1/2011	Rutjes	D3/303
D694,013	S *	11/2013	Hyzdu	D3/303

OTHER PUBLICATIONS

AirPods Case, Thankscase Premium Genuine Leather, first available Sep. 8, 2016, amazon.com [online], [site visited Jan. 8, 21], Available at internet URL: <https://www.amazon.com/AirPods-Thankscase-Premium-Genuine-Leather/dp/B06XDBP2GJ> (Year: 2016).*

Encased AirPods Case Leather . . . , first available Jan. 31, 2018, amazon.com [online], [site visited Jan. 8, 2021], Available at internet URL: <https://www.amazon.com/AirPods-Carrying-Case-Compatible-Apple-Air/dp/B079H554KZ> (Year: 2018).*

* cited by examiner

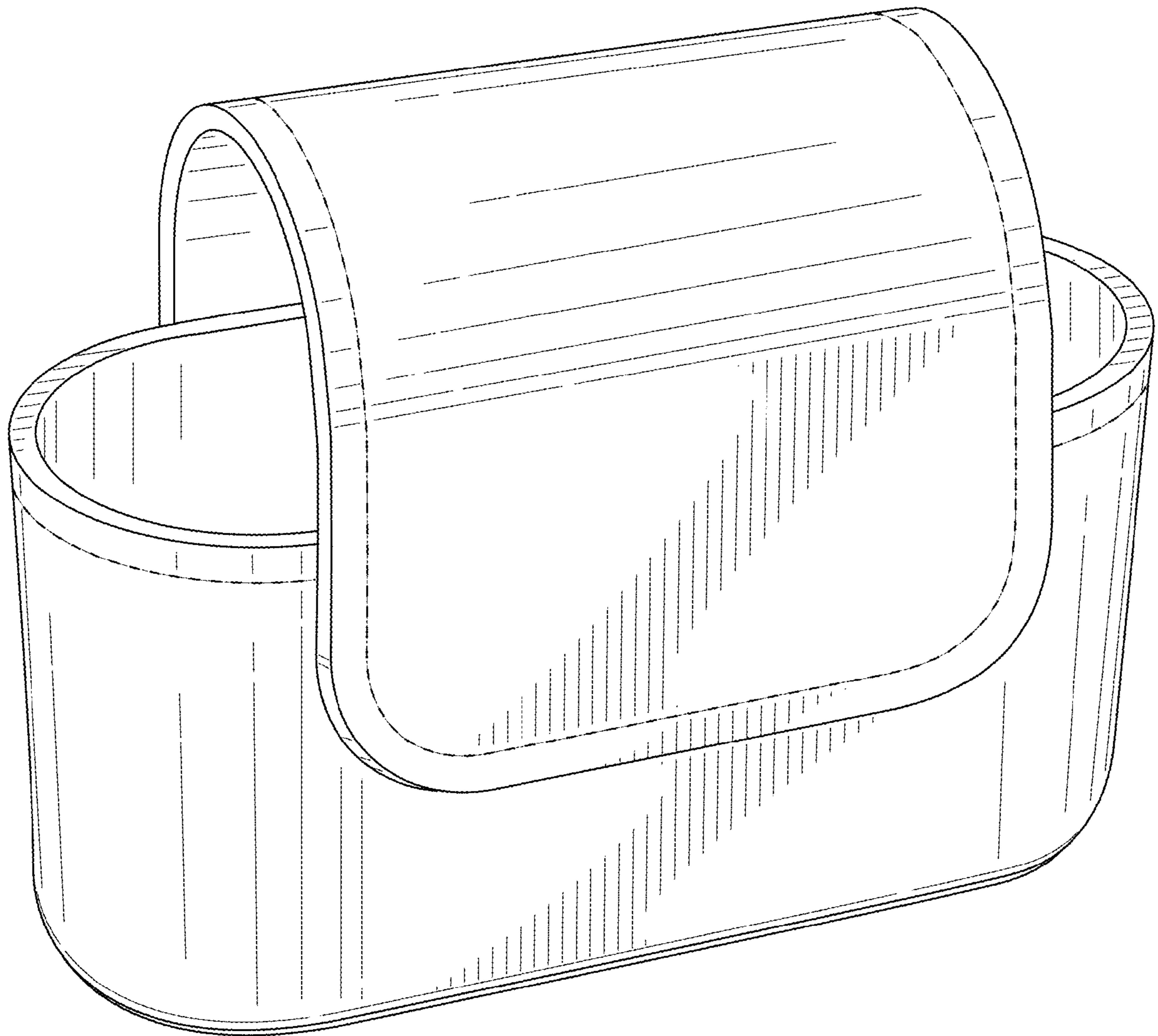


FIG. 1

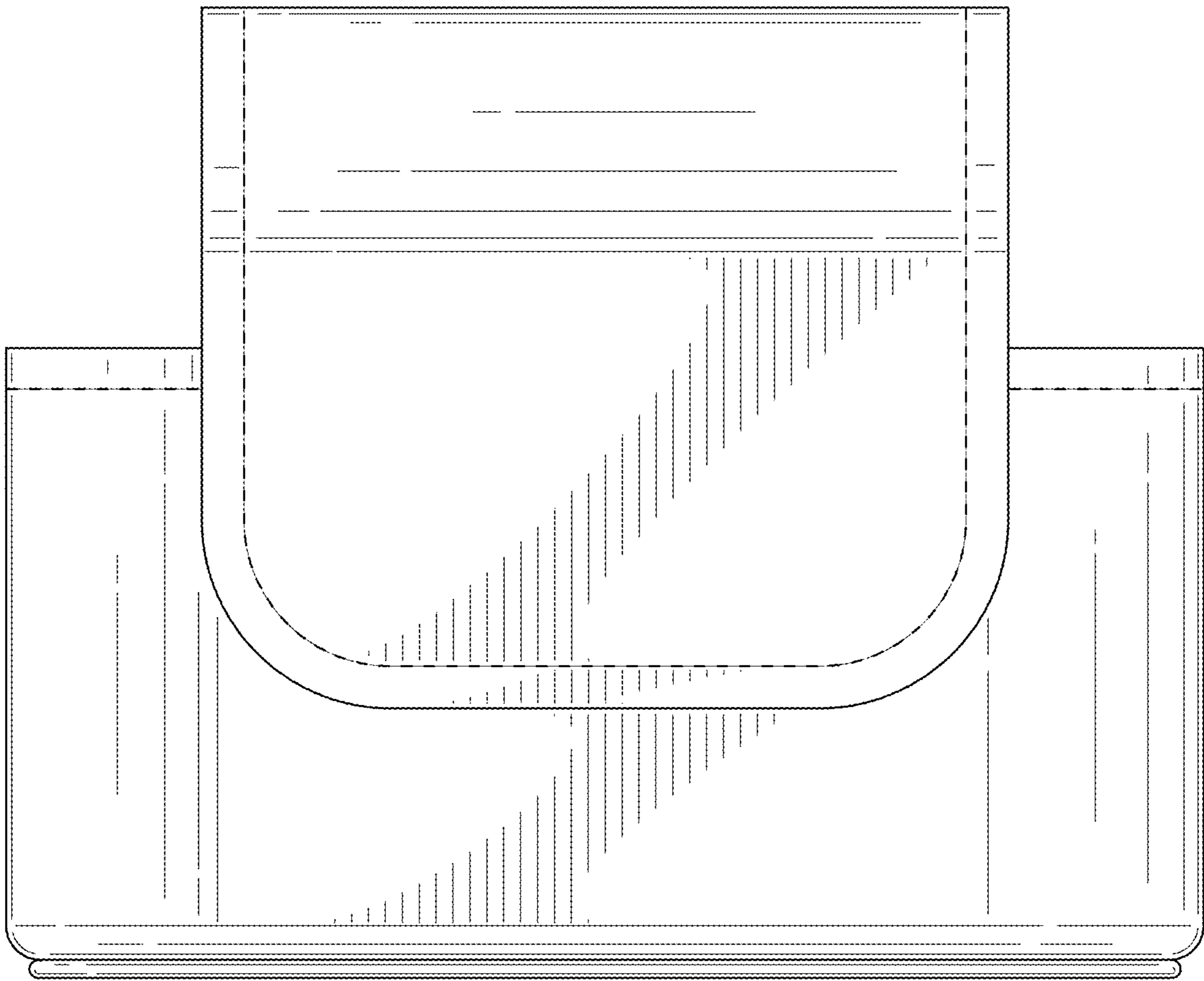


FIG. 2

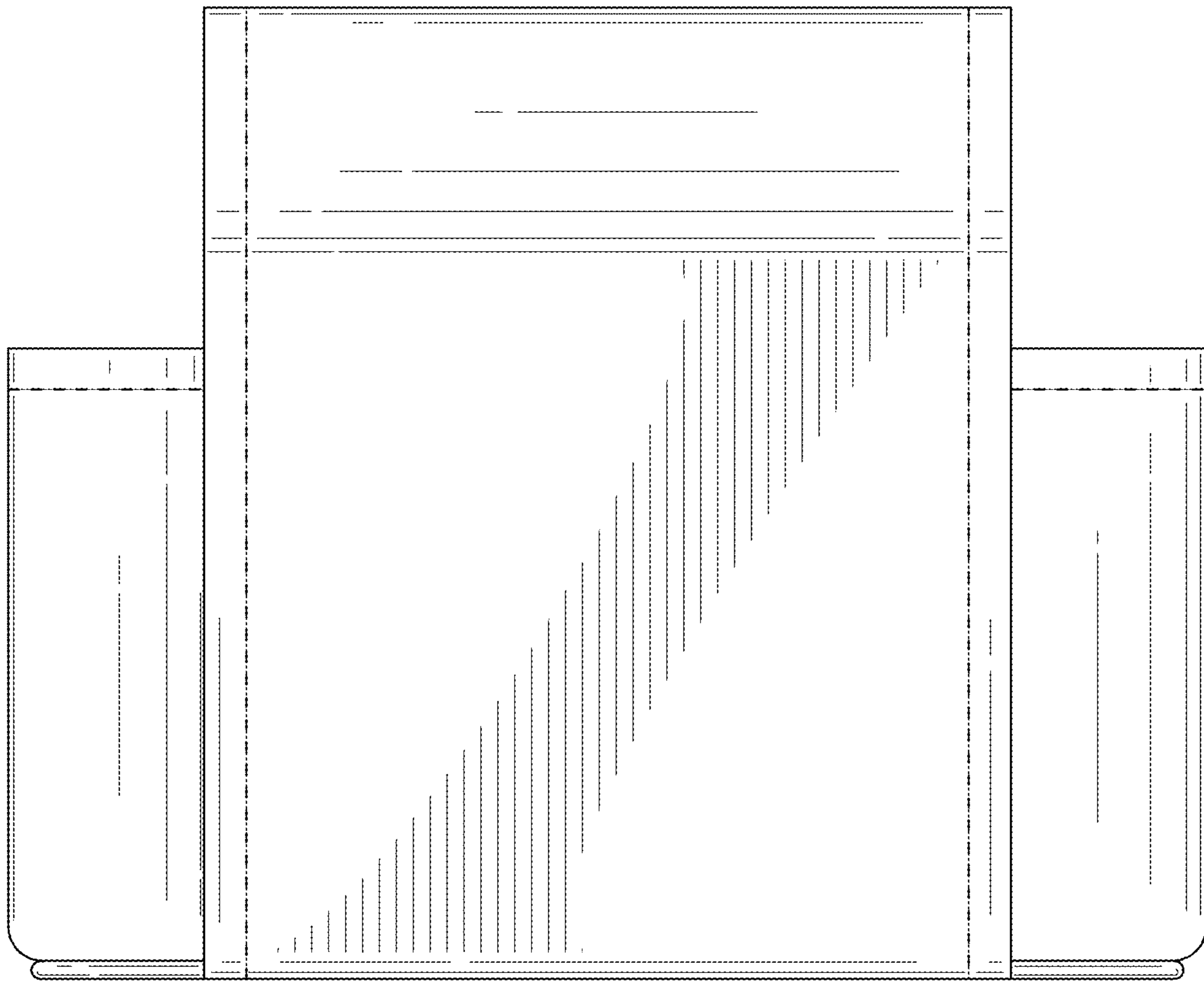


FIG. 3

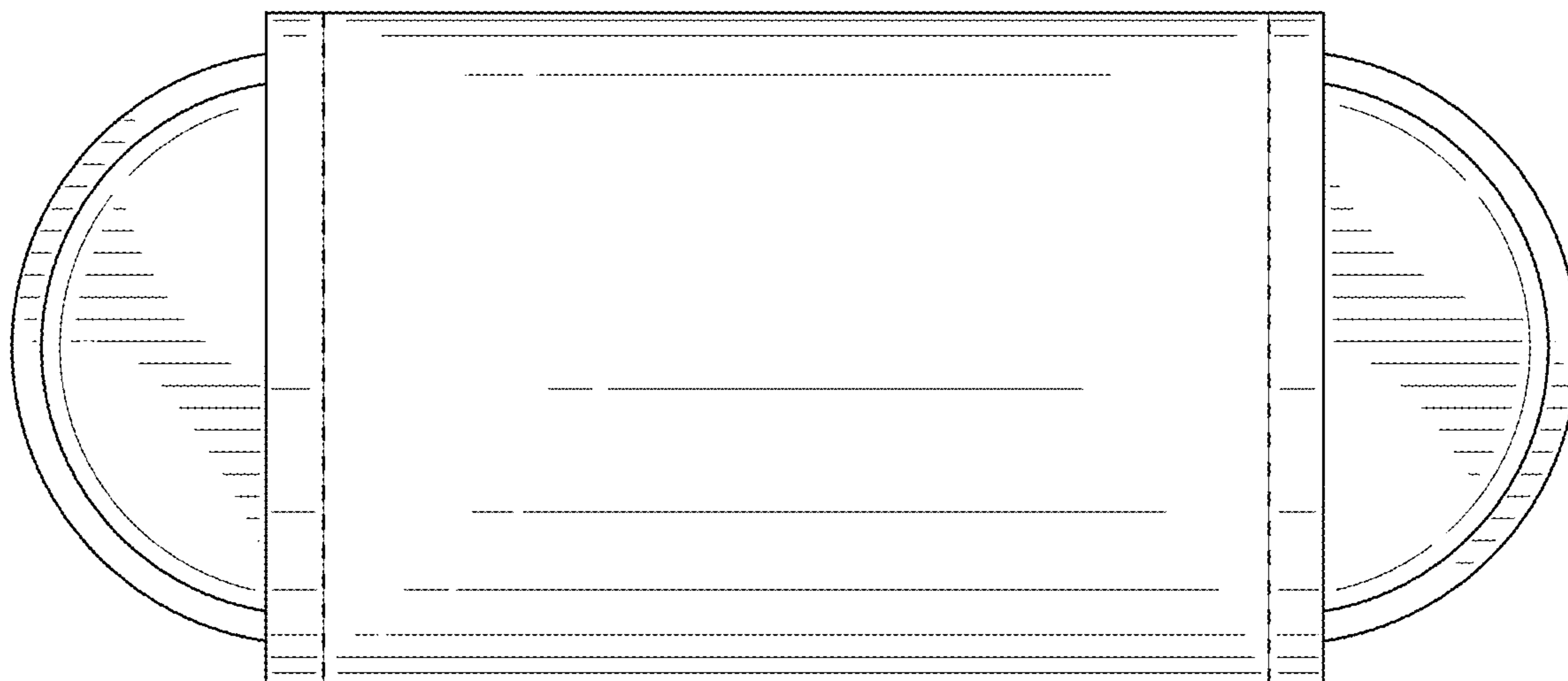


FIG. 4

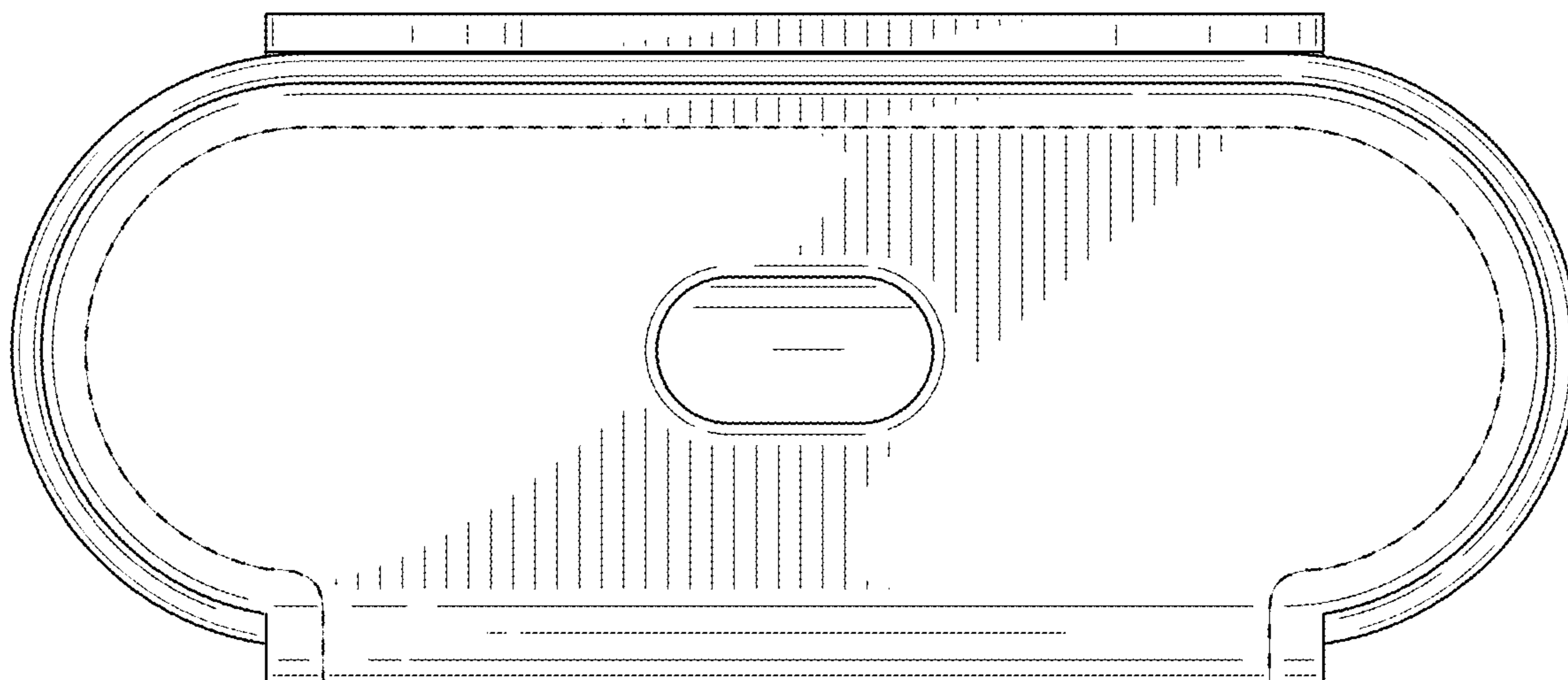


FIG. 5

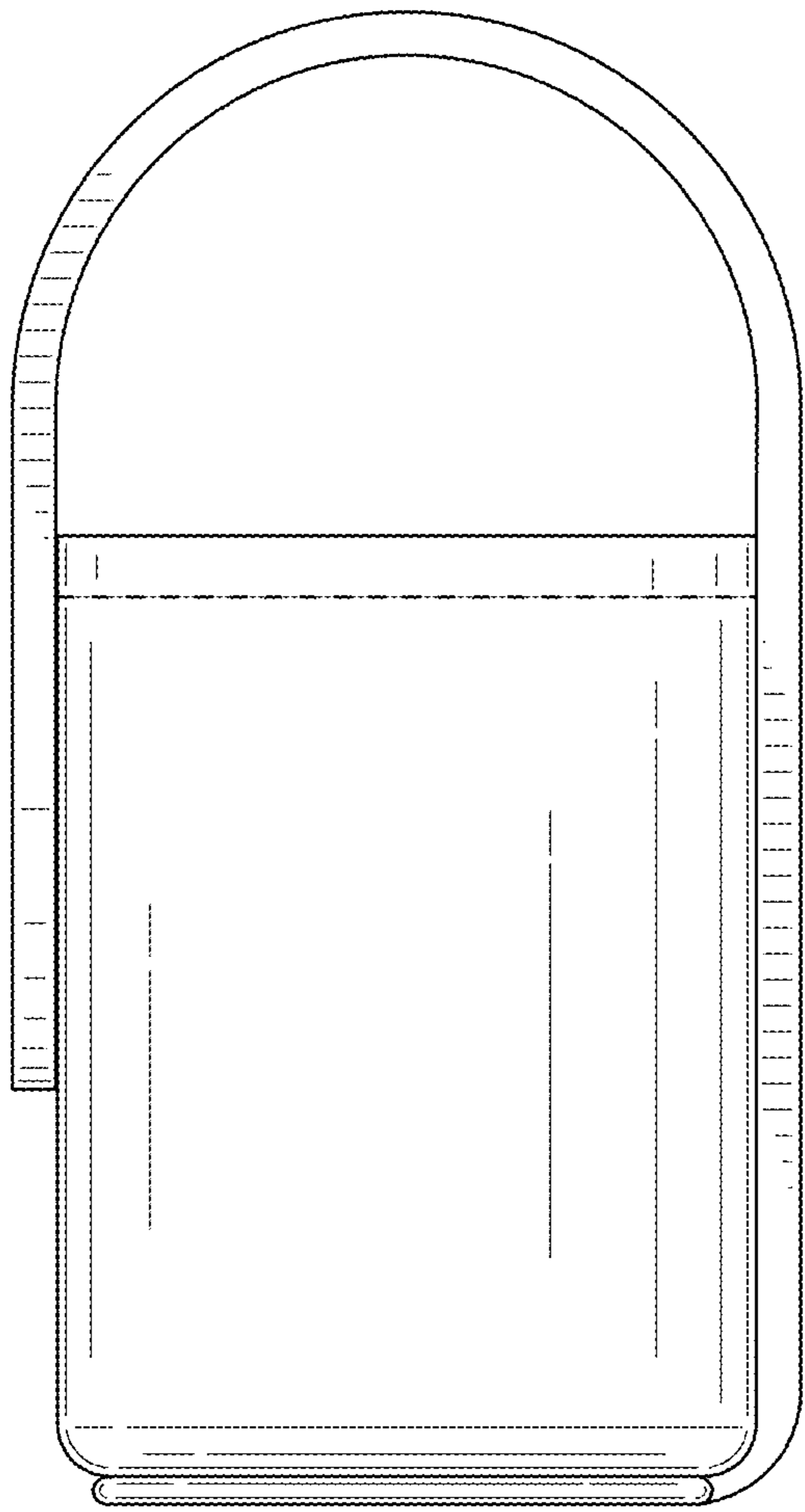


FIG. 6

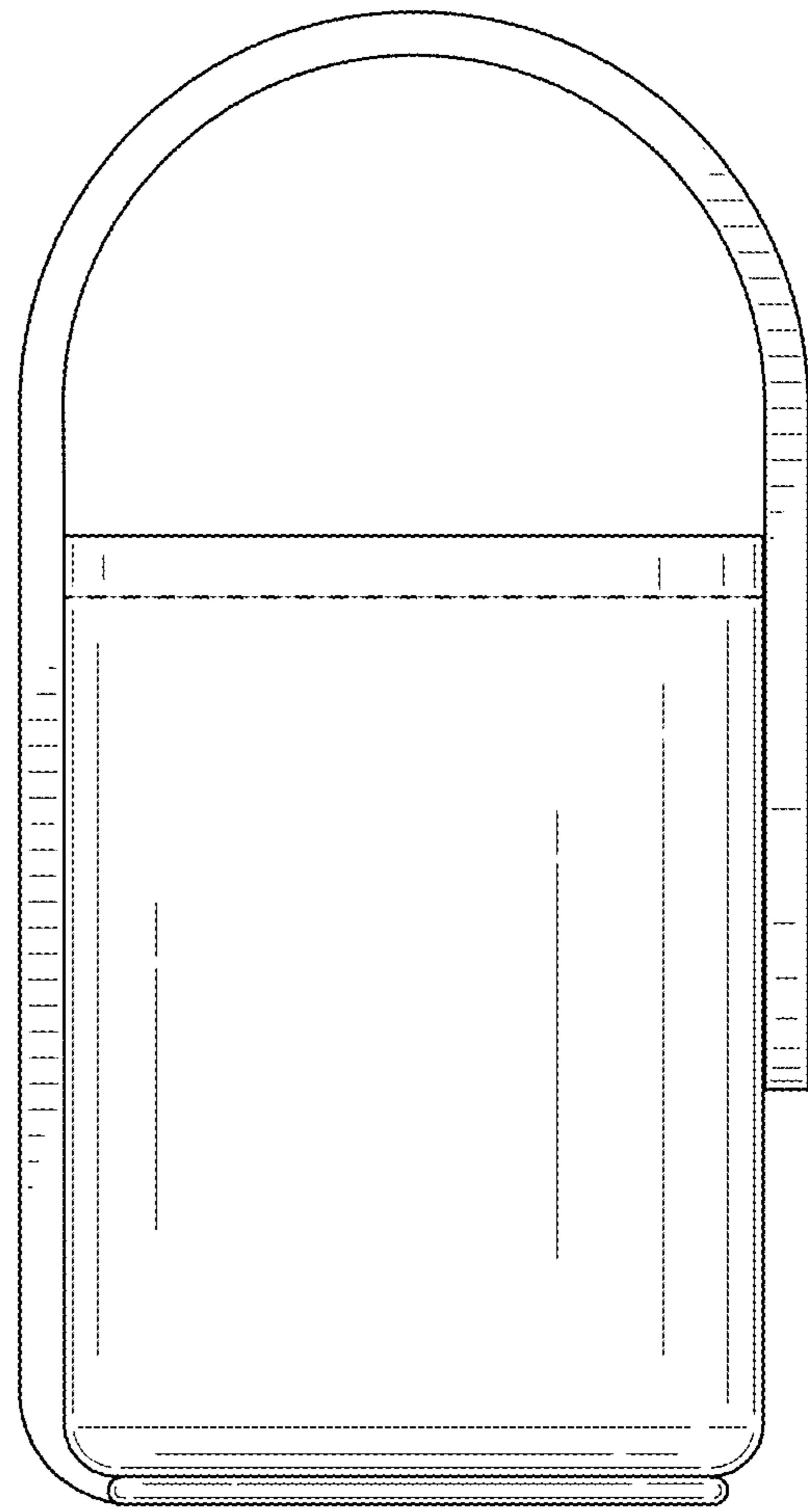


FIG. 7

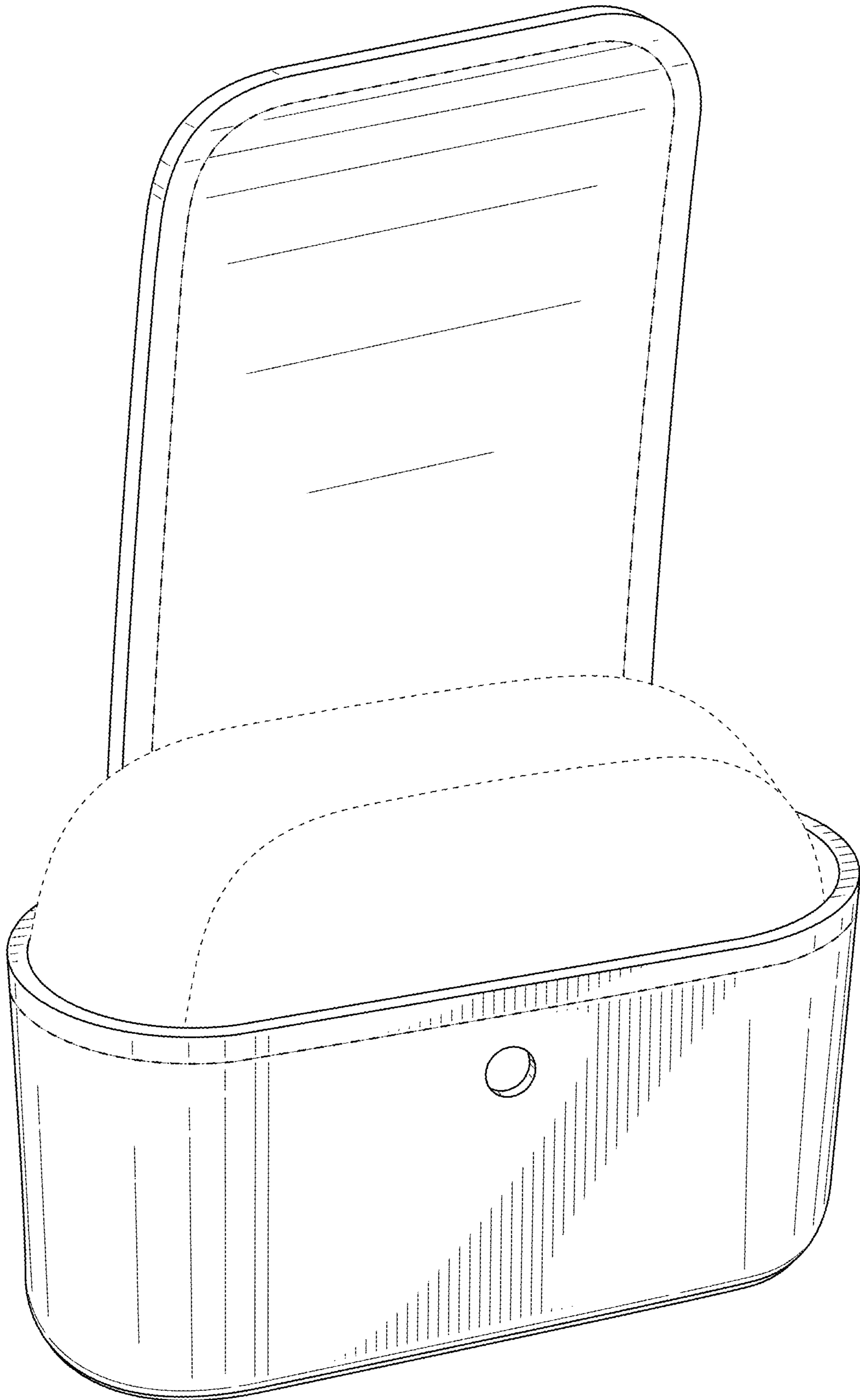


FIG. 8

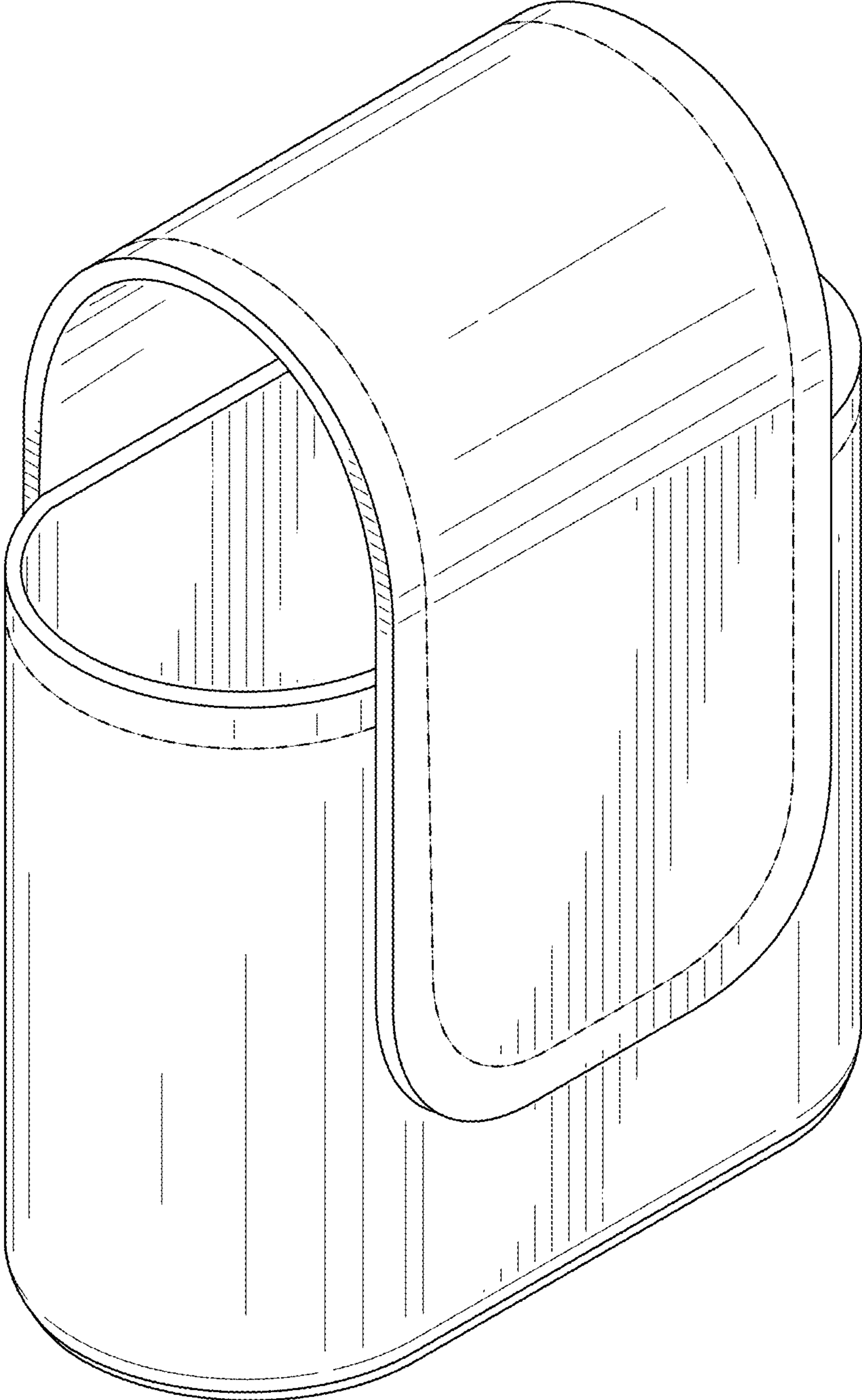


FIG. 9

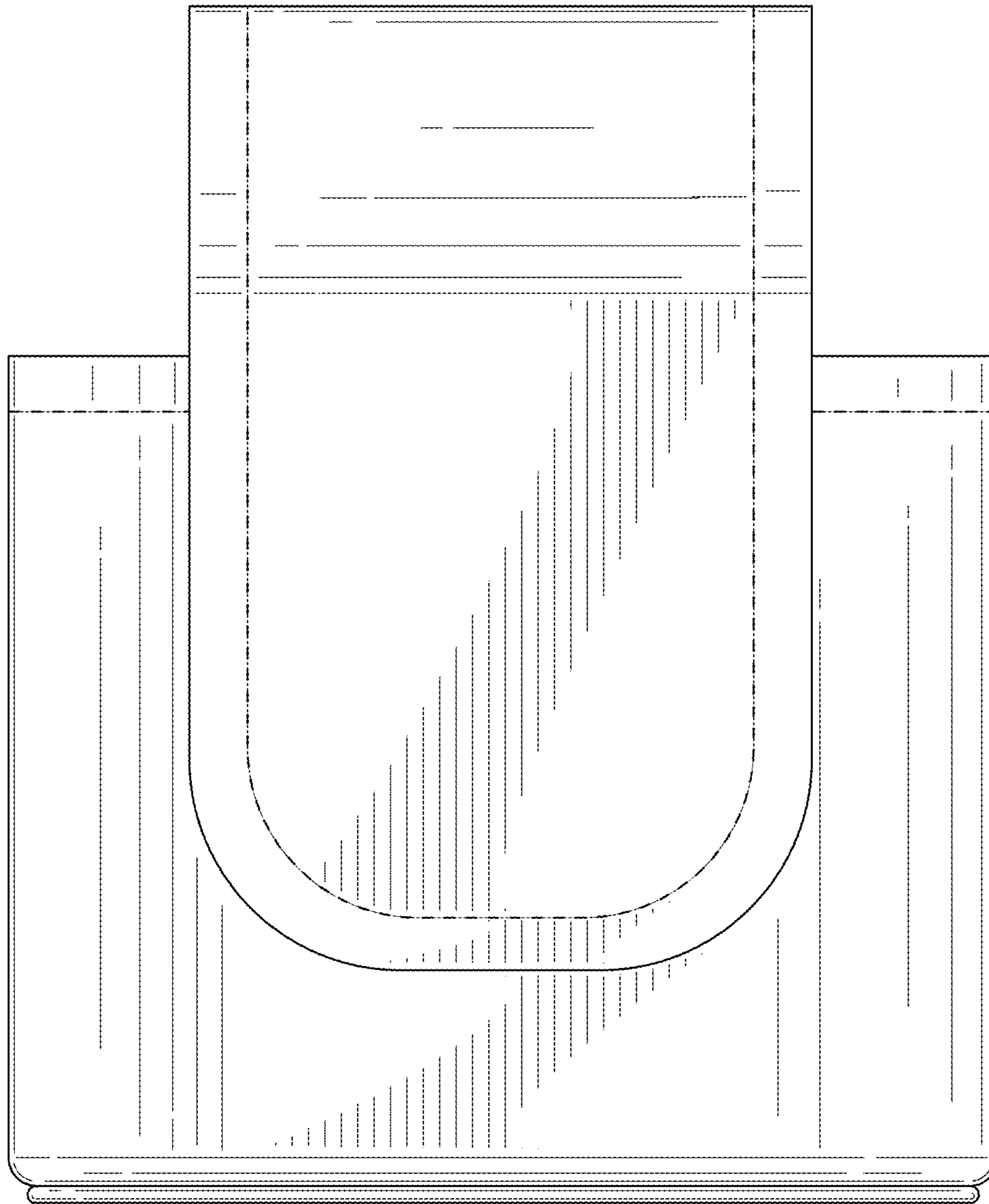


FIG. 10

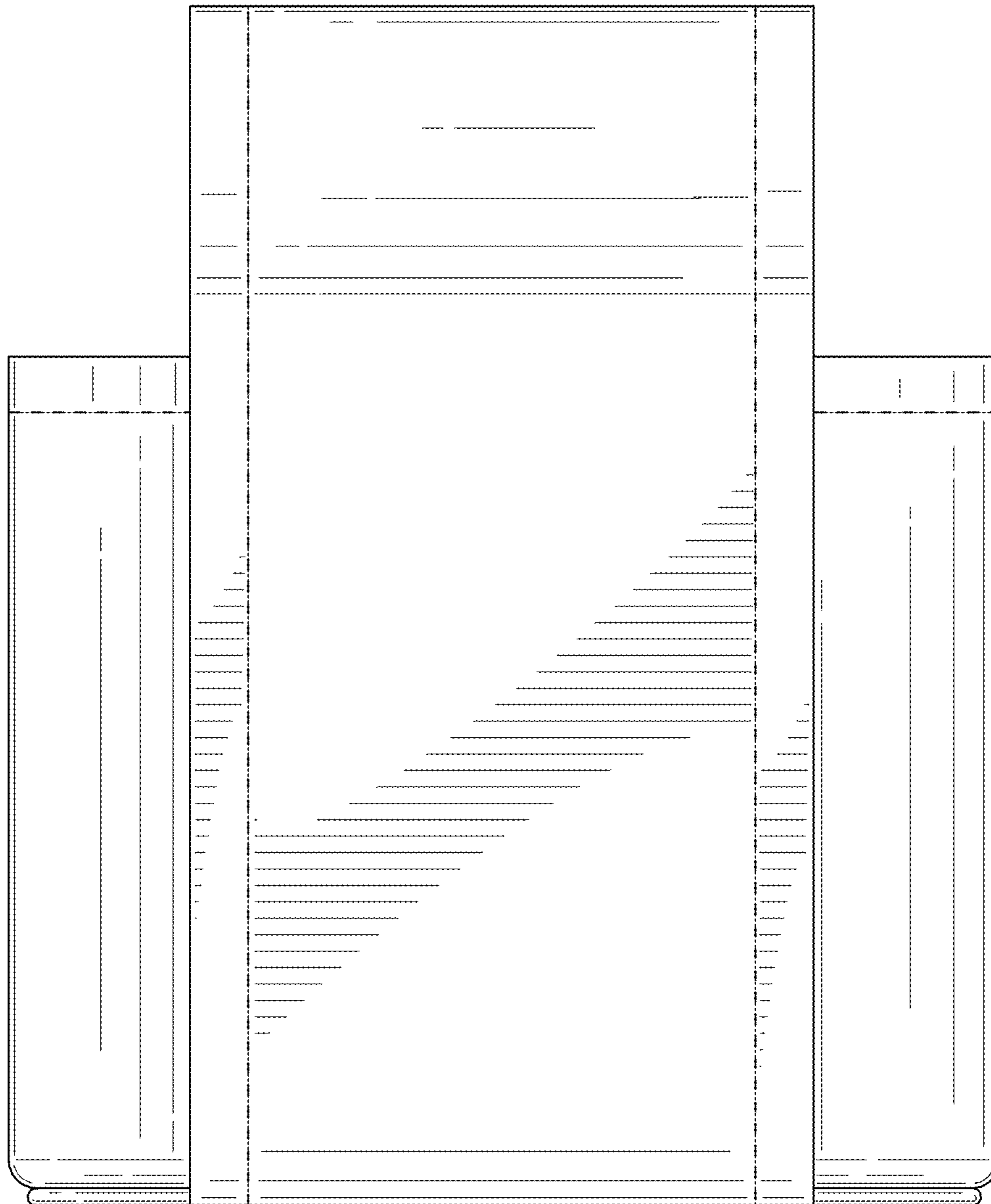


FIG. 11

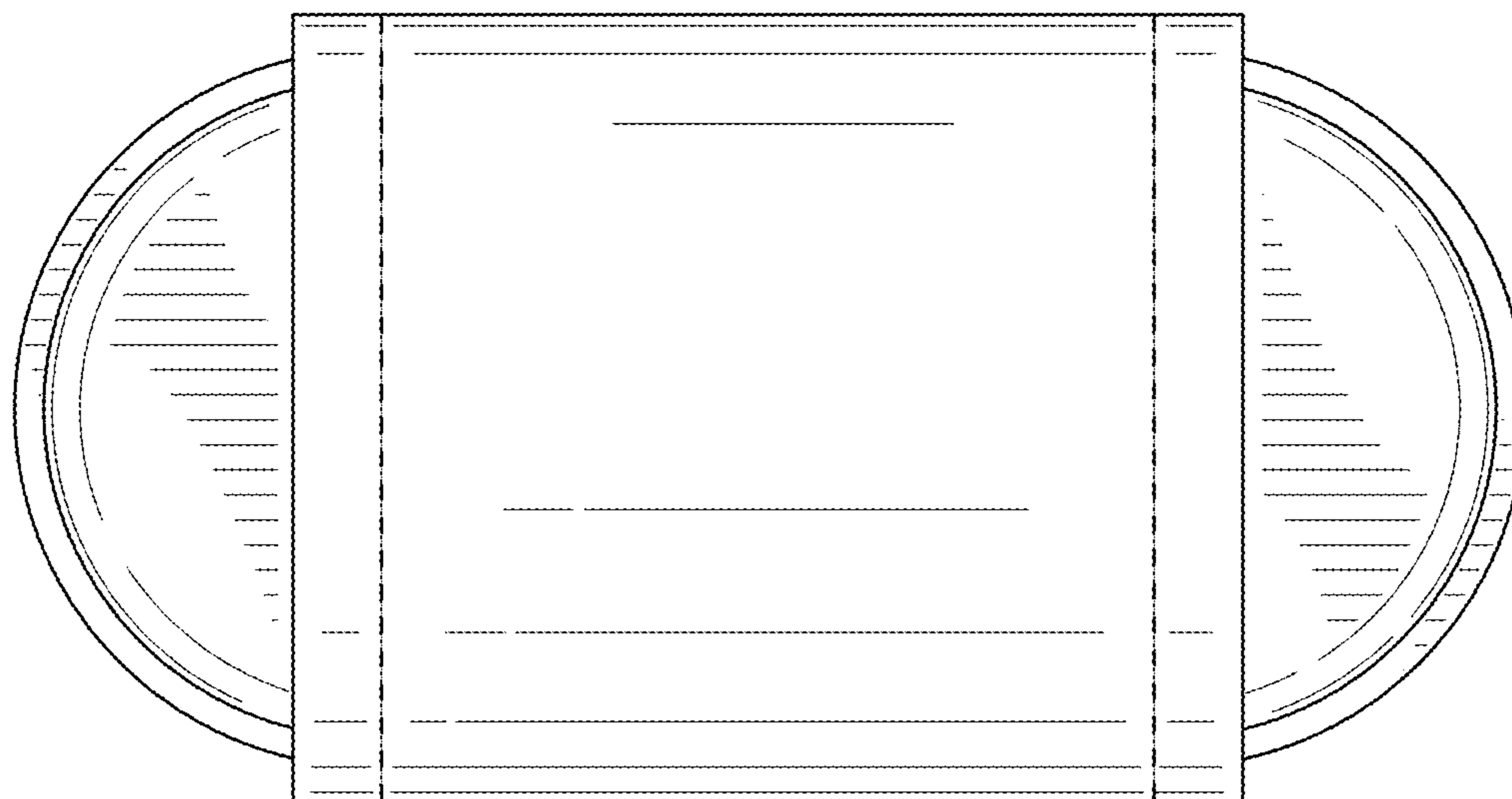


FIG. 12

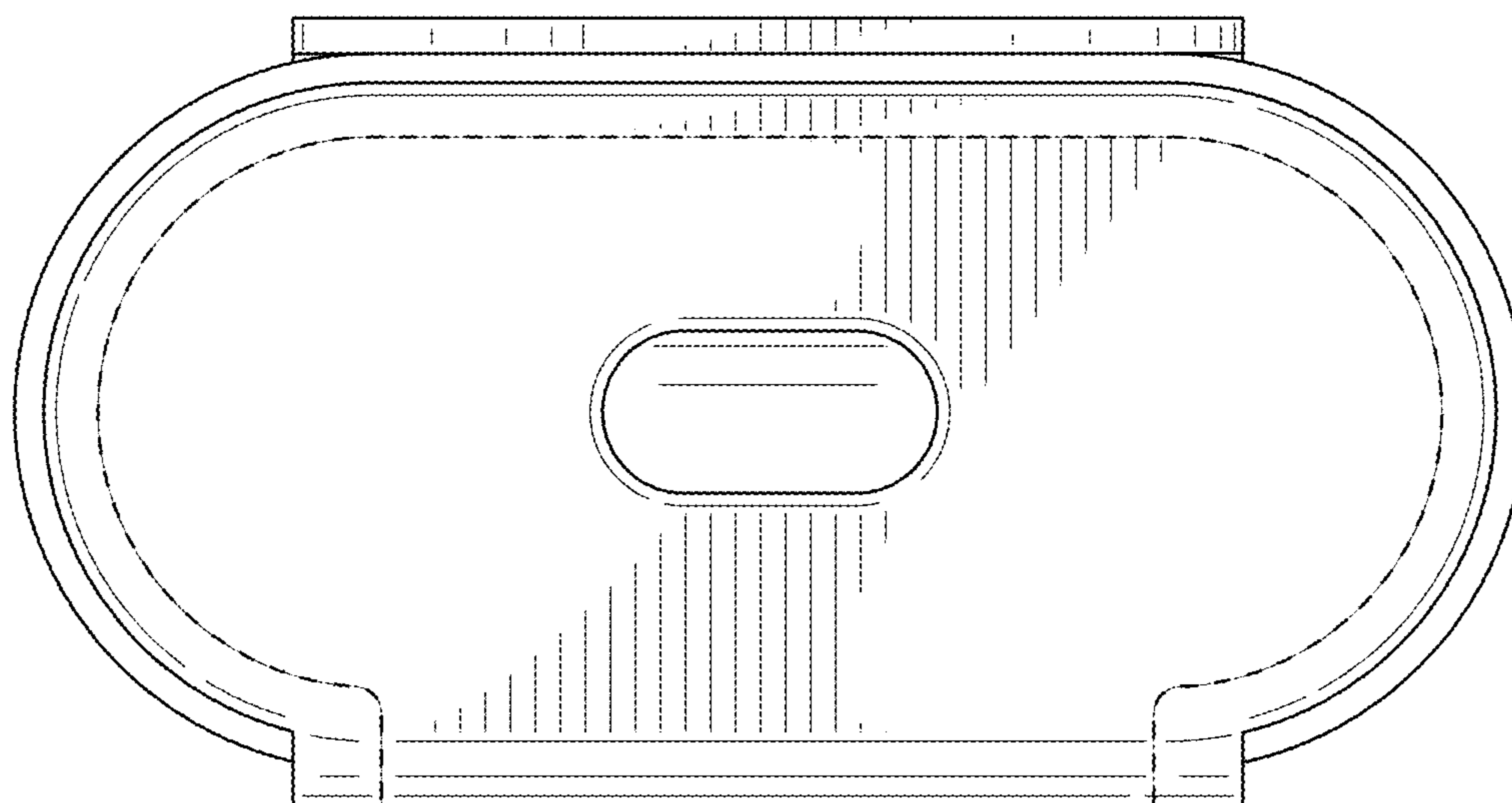


FIG. 13

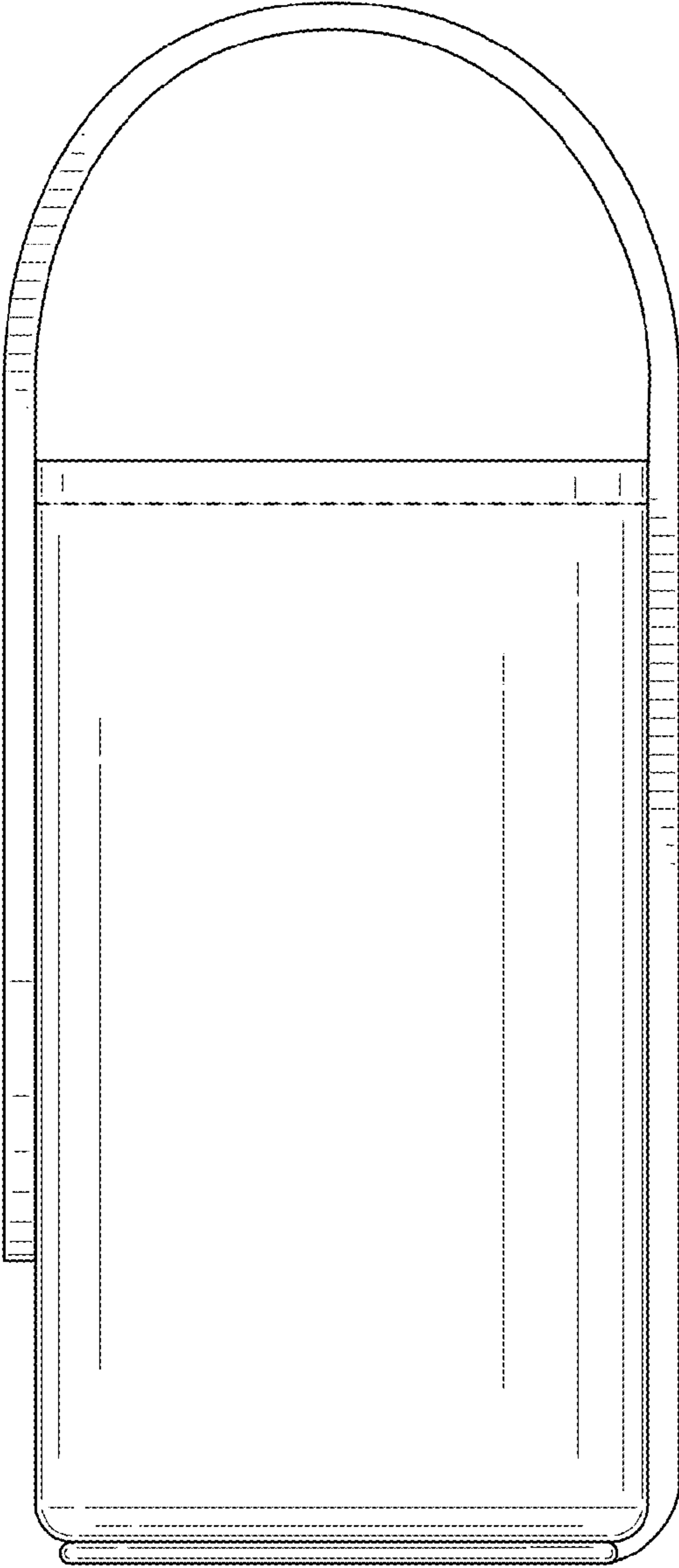


FIG. 14

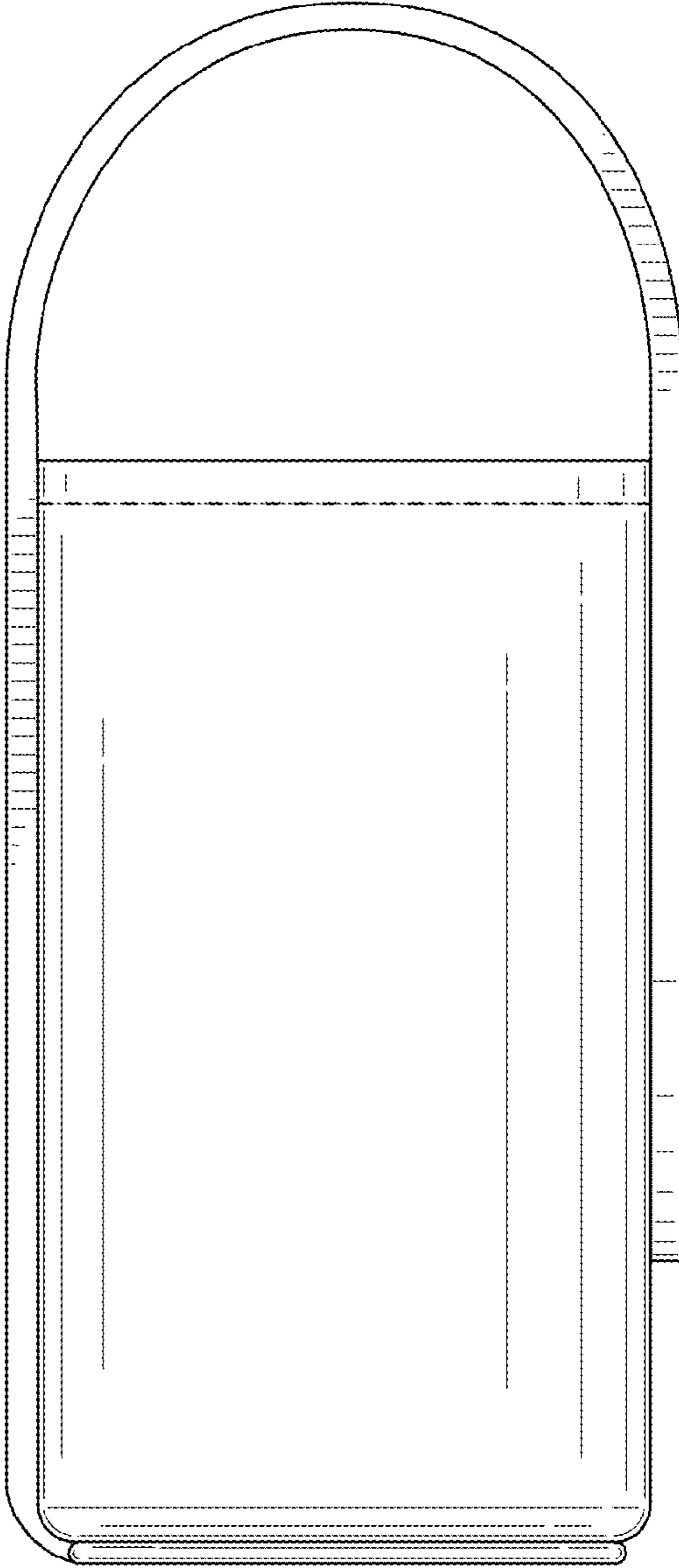


FIG. 15

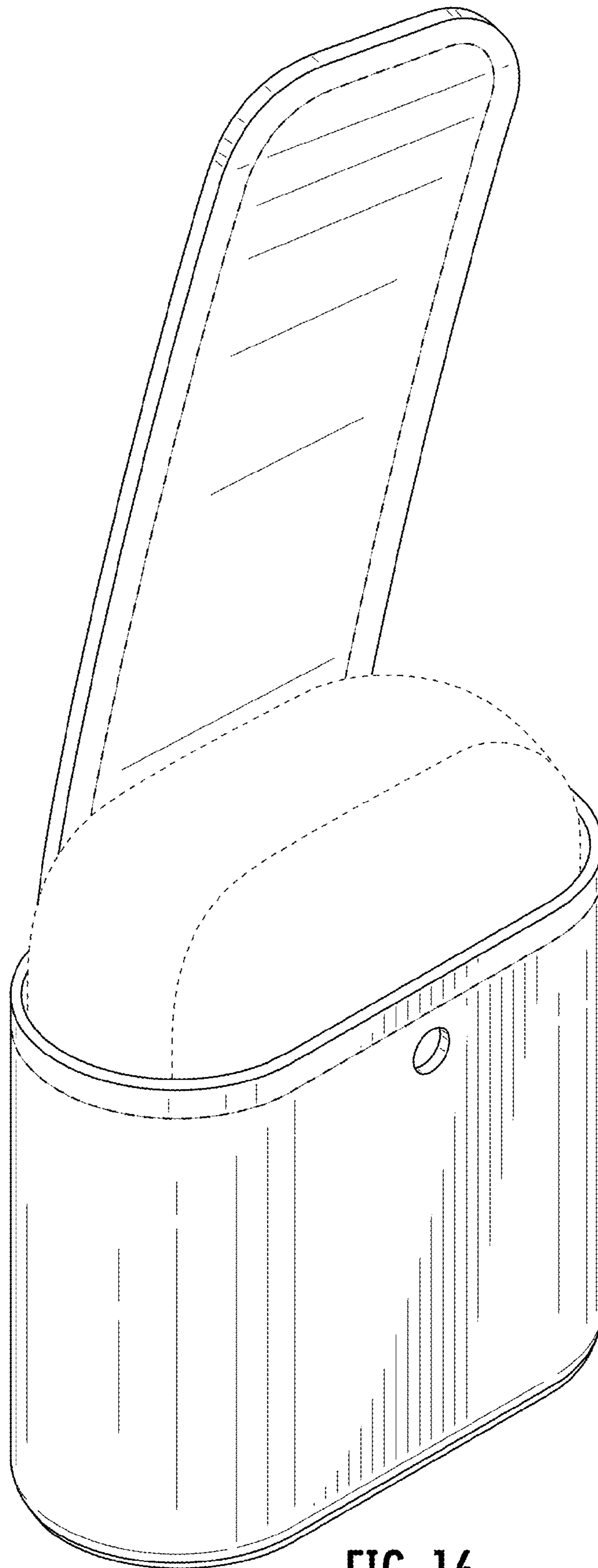


FIG. 16