



US00D927184S

(12) **United States Design Patent** (10) **Patent No.:** **US D927,184 S**
Wambolt, Sr. (45) **Date of Patent:** **** Aug. 10, 2021**

(54) **CARRIER POUCH**
(71) Applicant: **Mark David Wambolt, Sr.**,
Southborough, MA (US)
(72) Inventor: **Mark David Wambolt, Sr.**,
Southborough, MA (US)
(**) Term: **15 Years**
(21) Appl. No.: **29/652,660**
(22) Filed: **Oct. 21, 2020**
(51) **LOC (13) Cl.** **03-01**
(52) **U.S. Cl.**
USPC **D3/303**
(58) **Field of Classification Search**
USPC D3/201, 205, 242, 273, 274, 275, 276,
D3/279, 281, 282, 283, 284, 289, 292,
D3/294, 295, 296, 297, 299, 301, 302,
D3/303, 901, 903, 905
CPC A45C 5/04; A45C 11/00; A45C 11/16
See application file for complete search history.

D458,444 S 6/2002 Clark et al.
D468,908 S 1/2003 Meissner
D469,952 S 2/2003 Daglow et al.
D483,940 S 12/2003 Dolan
6,712,249 B2 3/2004 Magnusson et al.
D489,174 S 5/2004 Shigenaka et al.
D490,243 S 5/2004 Domotor
D492,843 S 7/2004 Domotor
6,883,693 B2 4/2005 Han
D584,054 S * 1/2009 Massie D3/244
D630,427 S 1/2011 McGuire
D681,324 S 5/2013 Mohr
D691,584 S 10/2013 Nussbaum et al.
D711,652 S * 8/2014 Erickson D3/303
D775,816 S 1/2017 Slimane
D775,817 S 1/2017 Ridley

(Continued)

Primary Examiner — Holly E Thurman
(74) *Attorney, Agent, or Firm* — Dunlap Bennett &
Ludwig, PLLC; Brendan E. Squire

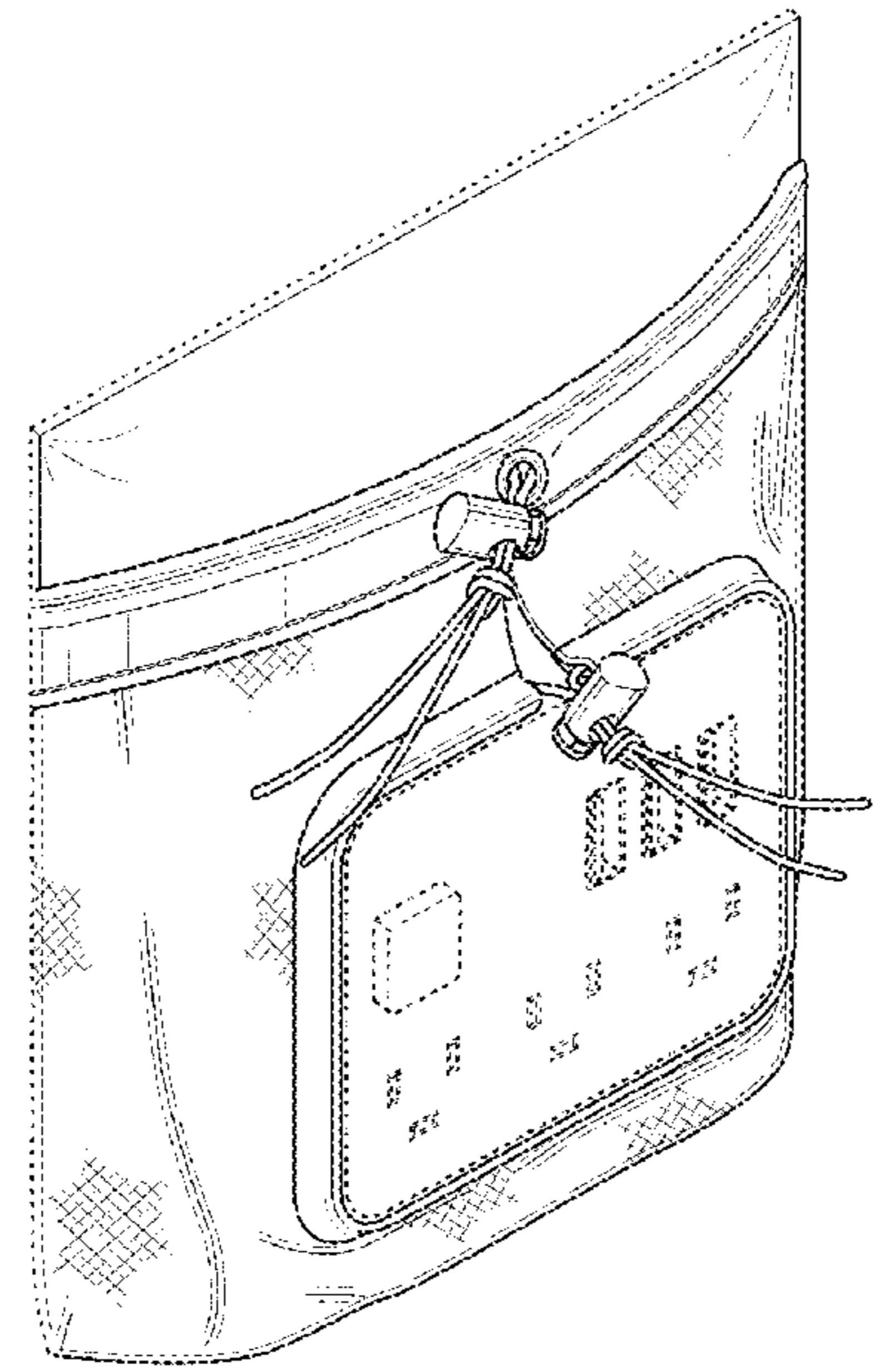
(57) **CLAIM**
The ornamental design for a carrier pouch, as shown and
described.

DESCRIPTION

FIG. 1 is a perspective view of a carrier pouch showing my
new design;
FIG. 2 is an exploded view thereof;
FIG. 3 is a front elevation view thereof;
FIG. 4 is a rear elevation view thereof;
FIG. 5 is a left side elevation view thereof;
FIG. 6 is a right side elevation view thereof;
FIG. 7 is a top plan view thereof; and,
FIG. 8 is a bottom plan view thereof.
The broken lines shown in the drawings illustrate portions of
the carrier pouch that form no part of the claimed design.
The patches of cross-hatching represent a texture that con-
tinues throughout the surfaces.

1 Claim, 5 Drawing Sheets

(56) **References Cited**
U.S. PATENT DOCUMENTS
1,738,425 A * 12/1929 Evans B42F 7/04
224/277
D183,712 S * 10/1958 Blaivas D3/244
D202,983 S * 11/1965 Allen D12/422
D234,751 S * 4/1975 Brodsky D9/706
D302,903 S 8/1989 Johnston
D348,754 S 7/1994 Feller
D351,943 S 11/1994 Young
D398,776 S 9/1998 Fawcett
D399,053 S 10/1998 de Moraes
D405,265 S 2/1999 Chapelson
5,897,042 A 4/1999 Sims
D416,676 S * 11/1999 Fitzgerald D3/226
D419,292 S * 1/2000 Barre D3/232
D420,792 S 2/2000 Sakelliou et al.



(56)

References Cited

U.S. PATENT DOCUMENTS

9,603,439	B2	3/2017	Nakamura
D796,187	S	9/2017	Bogue
D796,188	S	9/2017	Ho et al.
9,854,897	B1	1/2018	Pelkey, Jr. et al.
10,051,945	B1	8/2018	Pomare
D827,563	S	9/2018	Burks
D828,692	S	9/2018	Buscemi
D841,978	S	3/2019	Ou
10,659,578	B2	5/2020	Williams
2002/0139820	A1	10/2002	Godshaw et al.
2004/0200871	A1	10/2004	Han
2008/0011799	A1	1/2008	Chang
2015/0289629	A1	10/2015	Nakamura
2020/0000207	A1	1/2020	Liu
2020/0228056	A1	7/2020	Miller

* cited by examiner

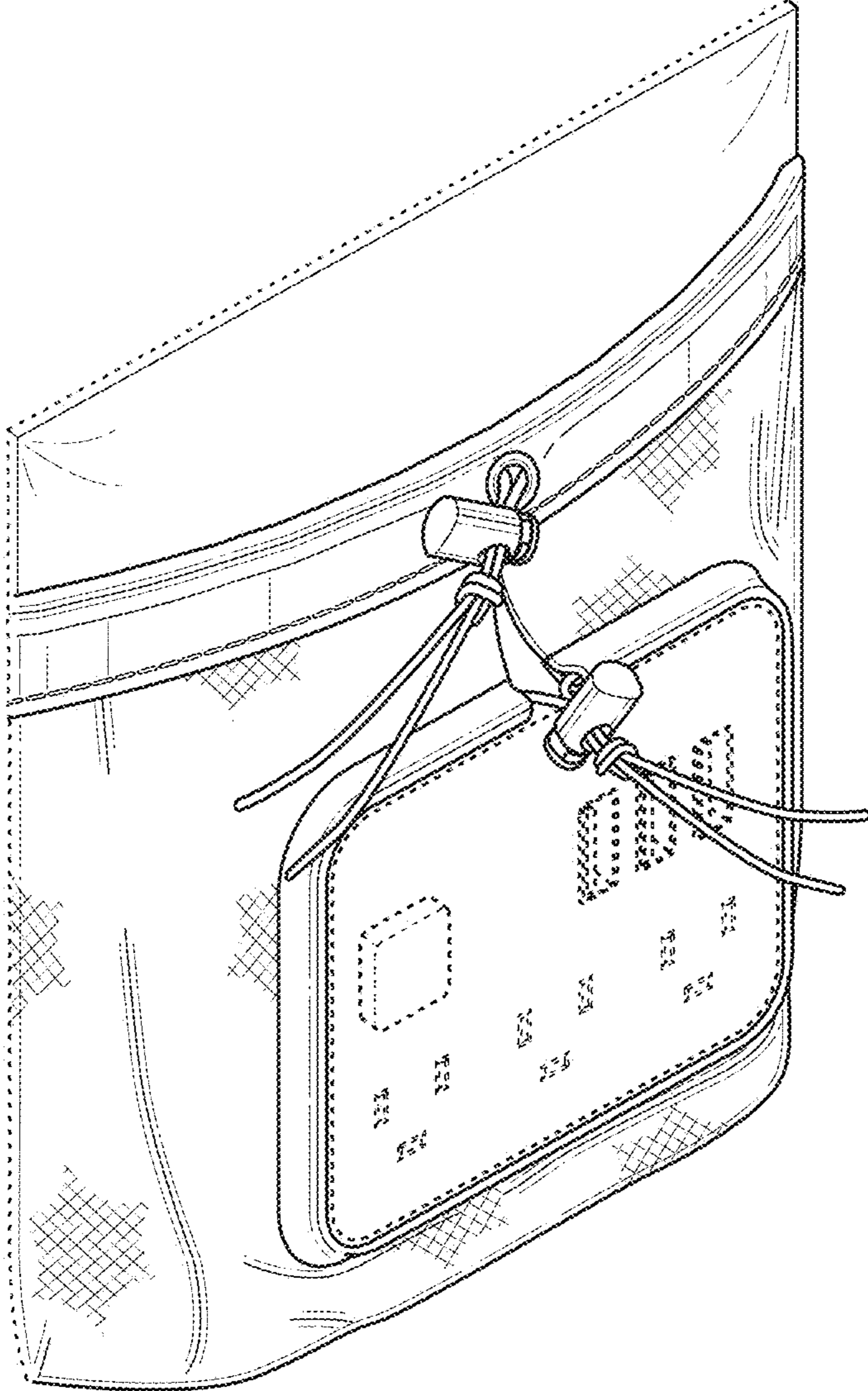


FIG. 1

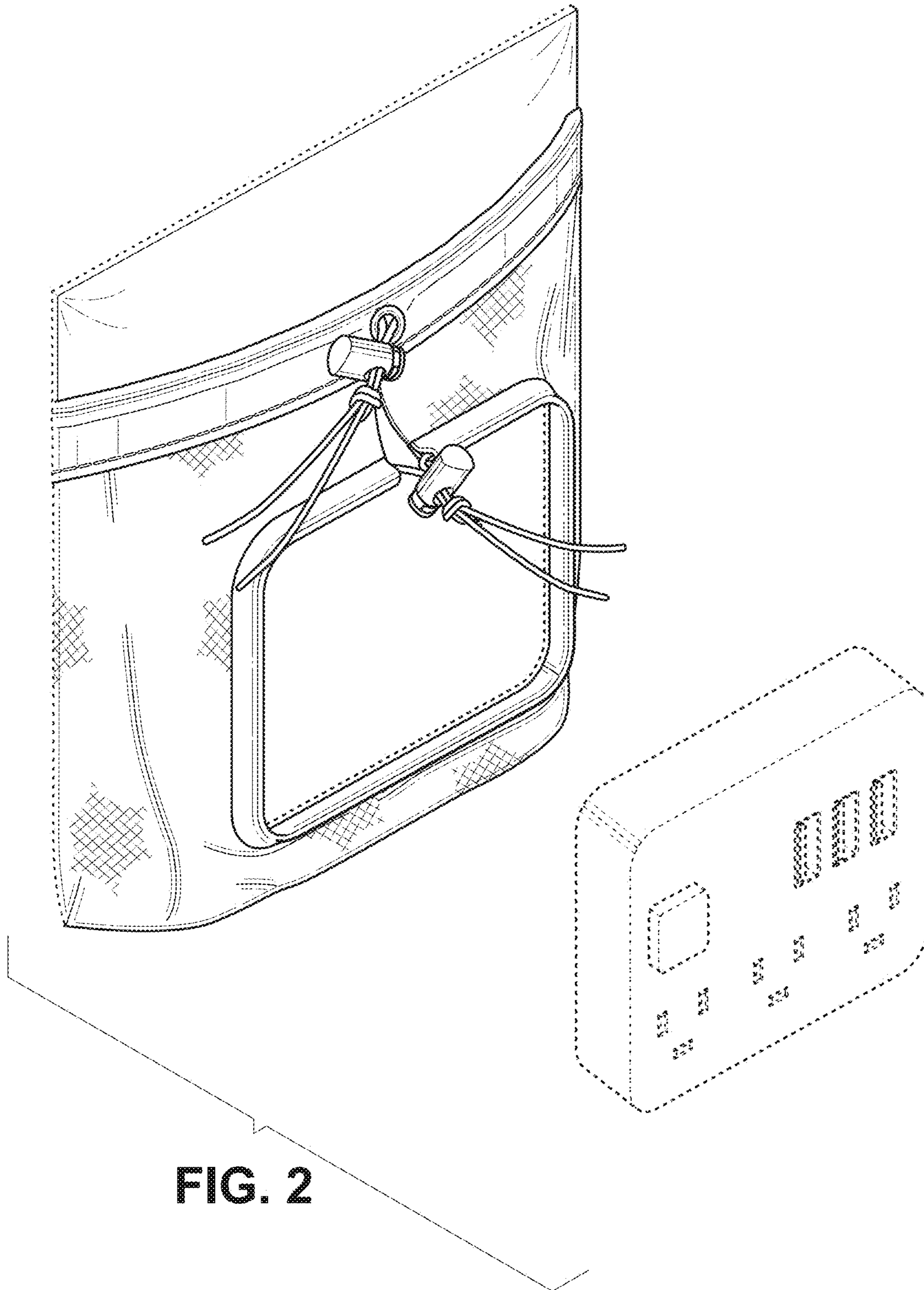


FIG. 2

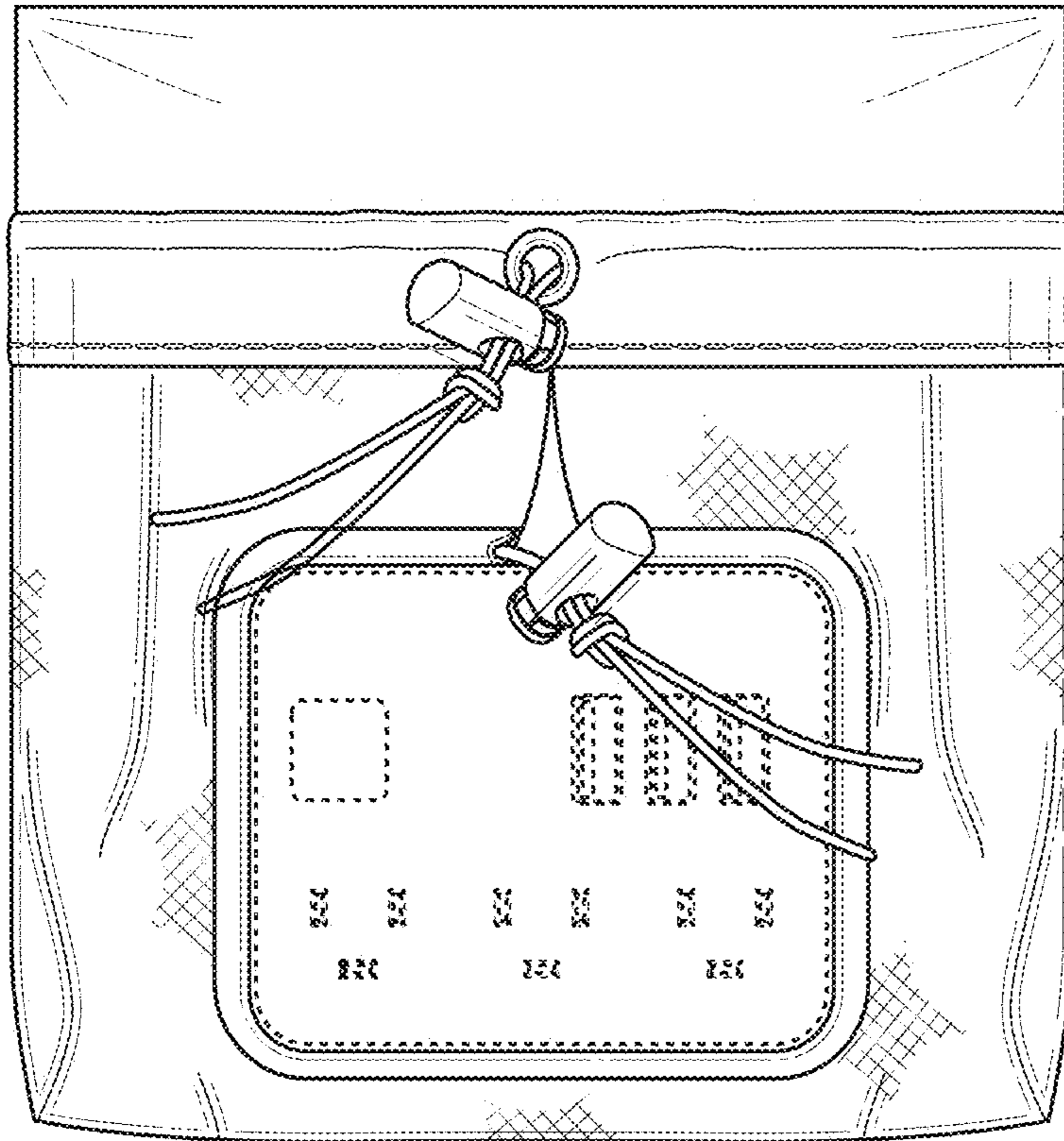


FIG. 3

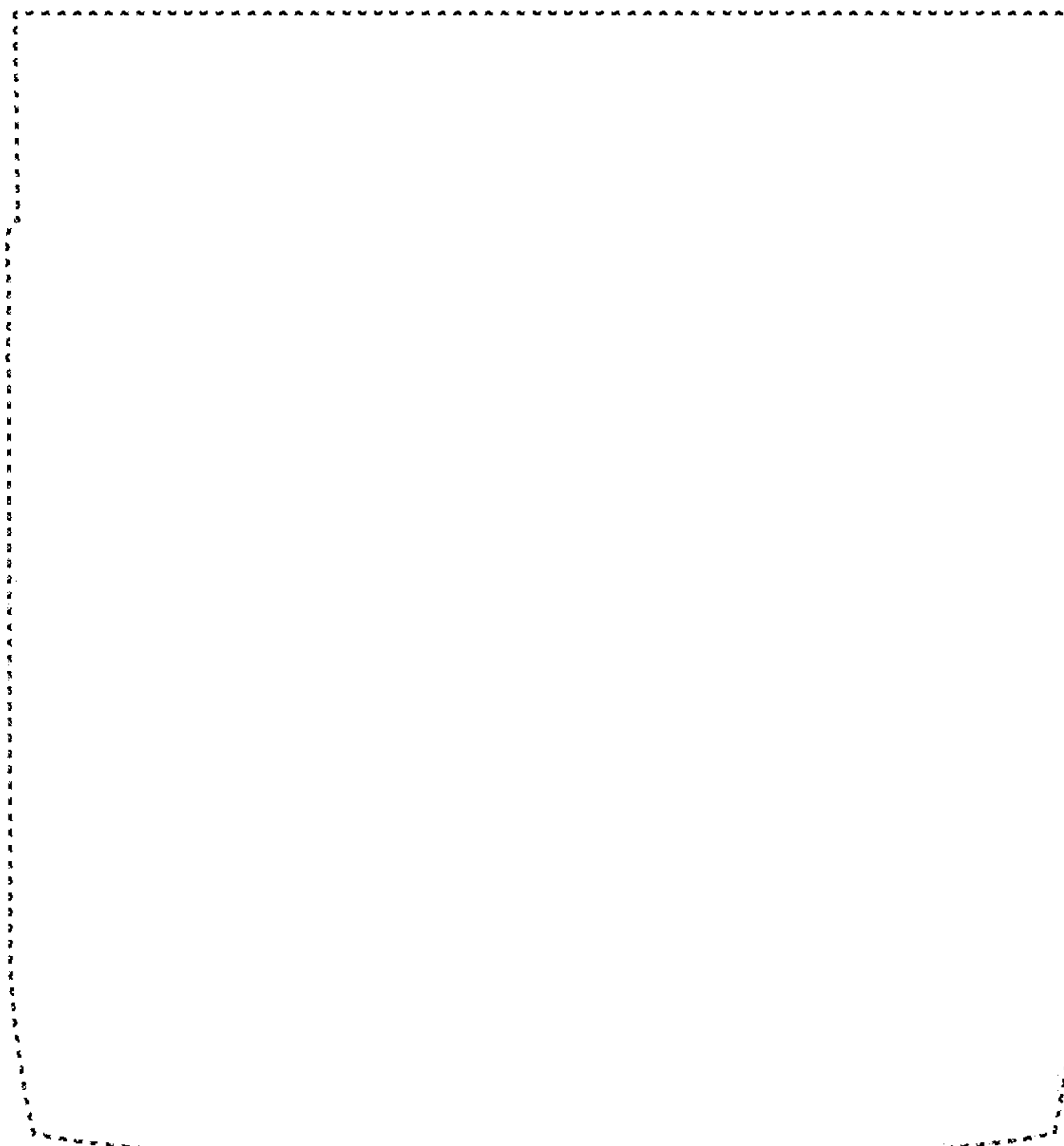


FIG. 4

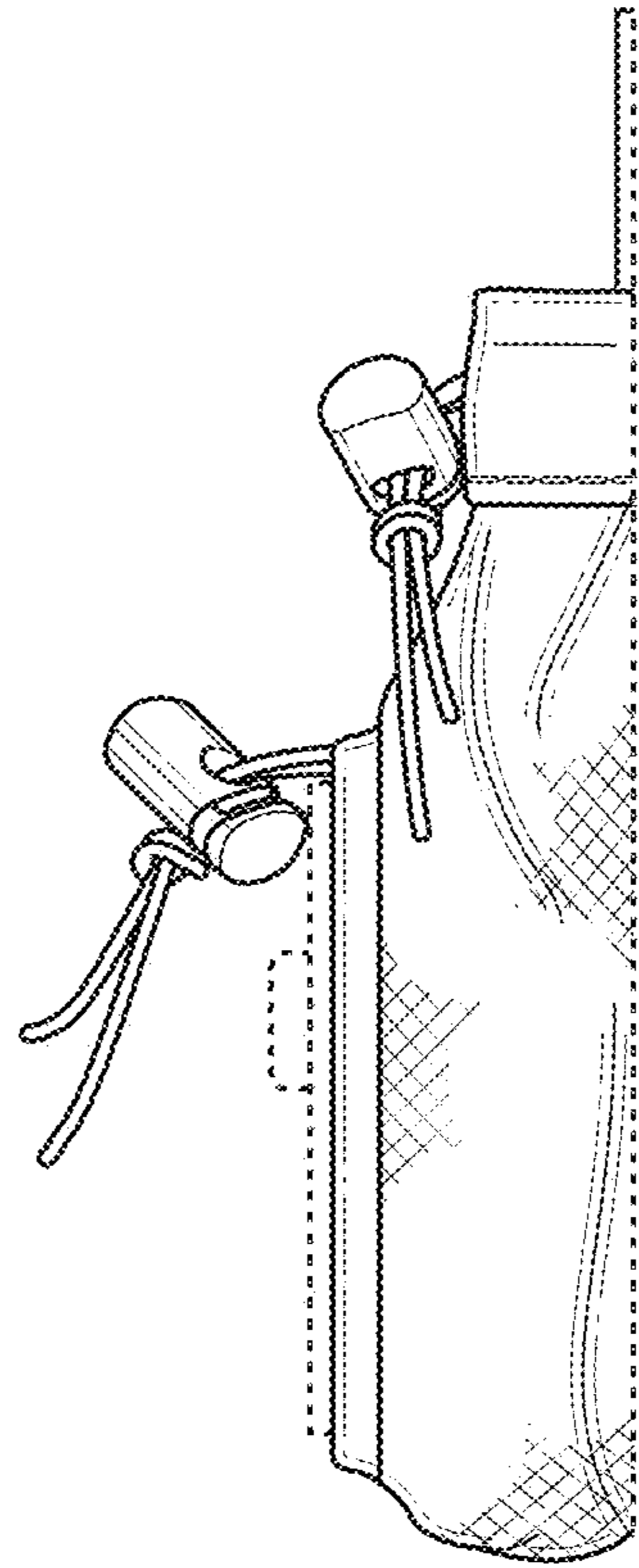


FIG. 5

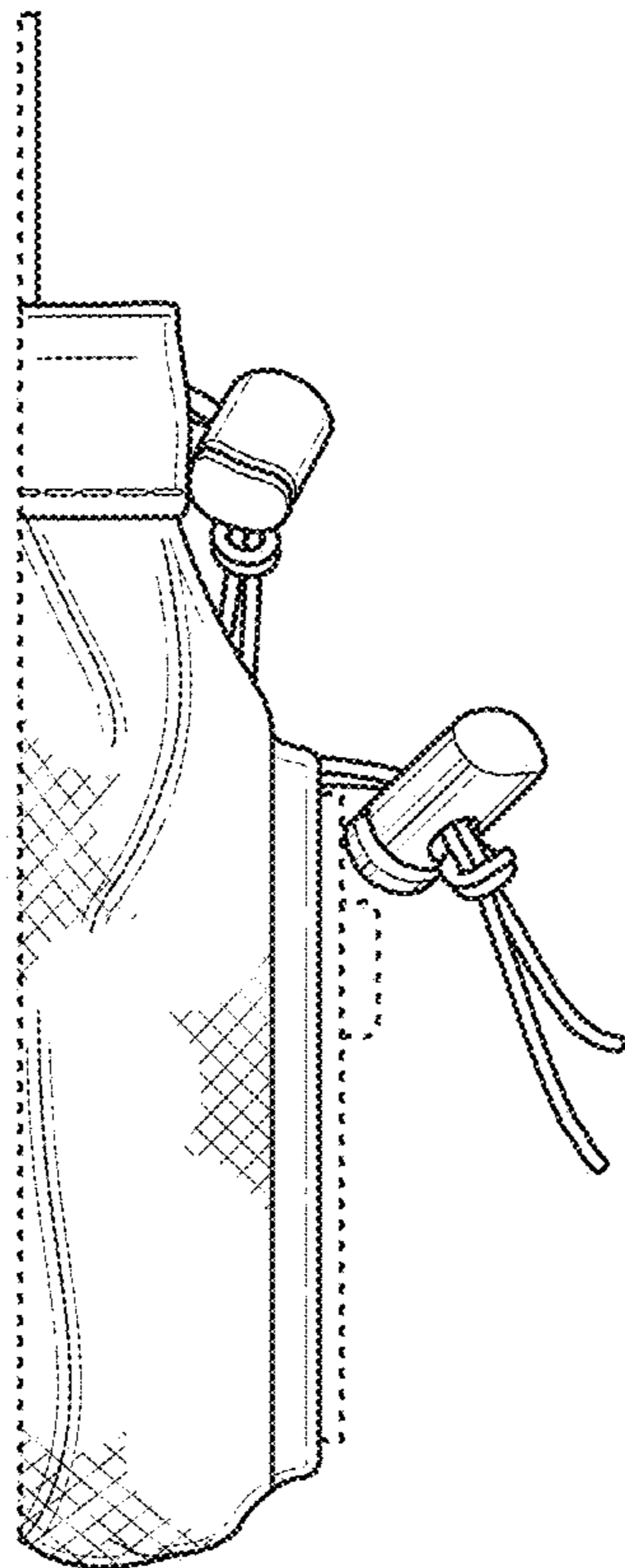


FIG. 6

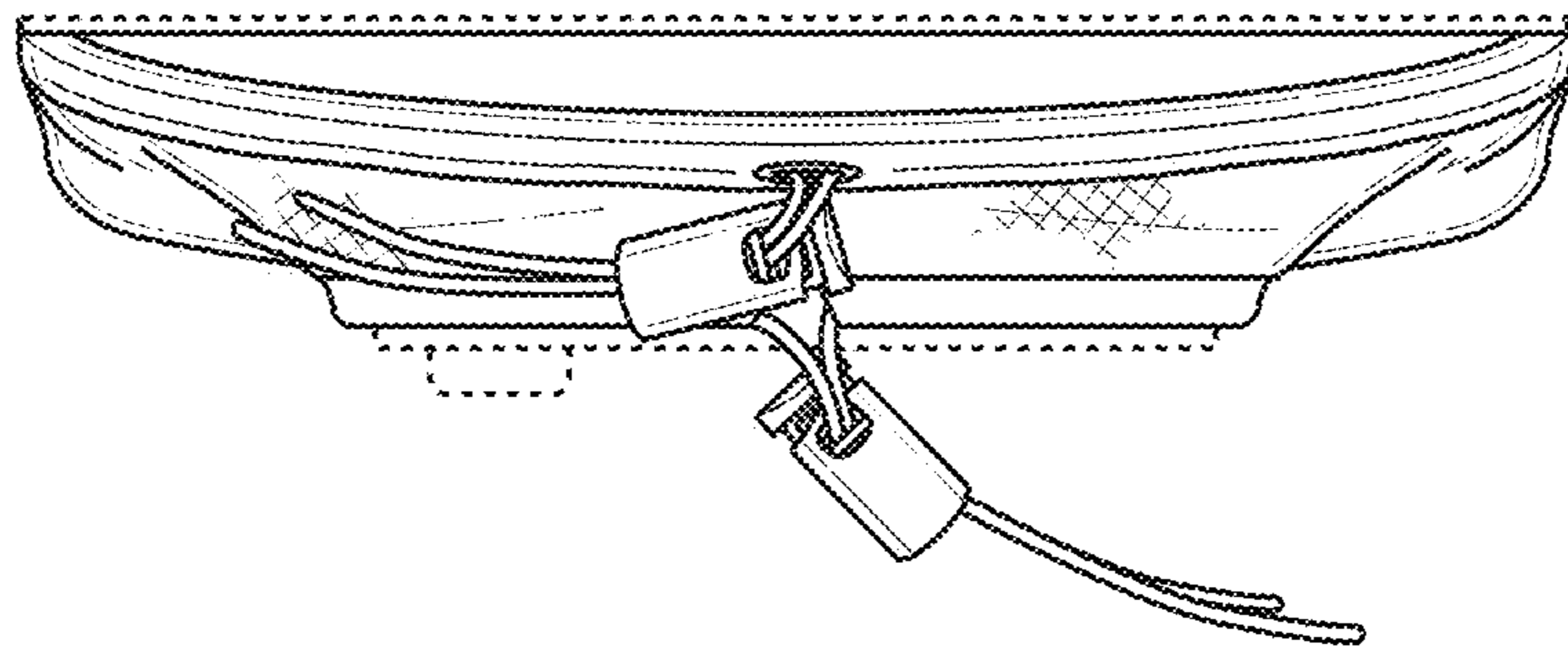


FIG. 7

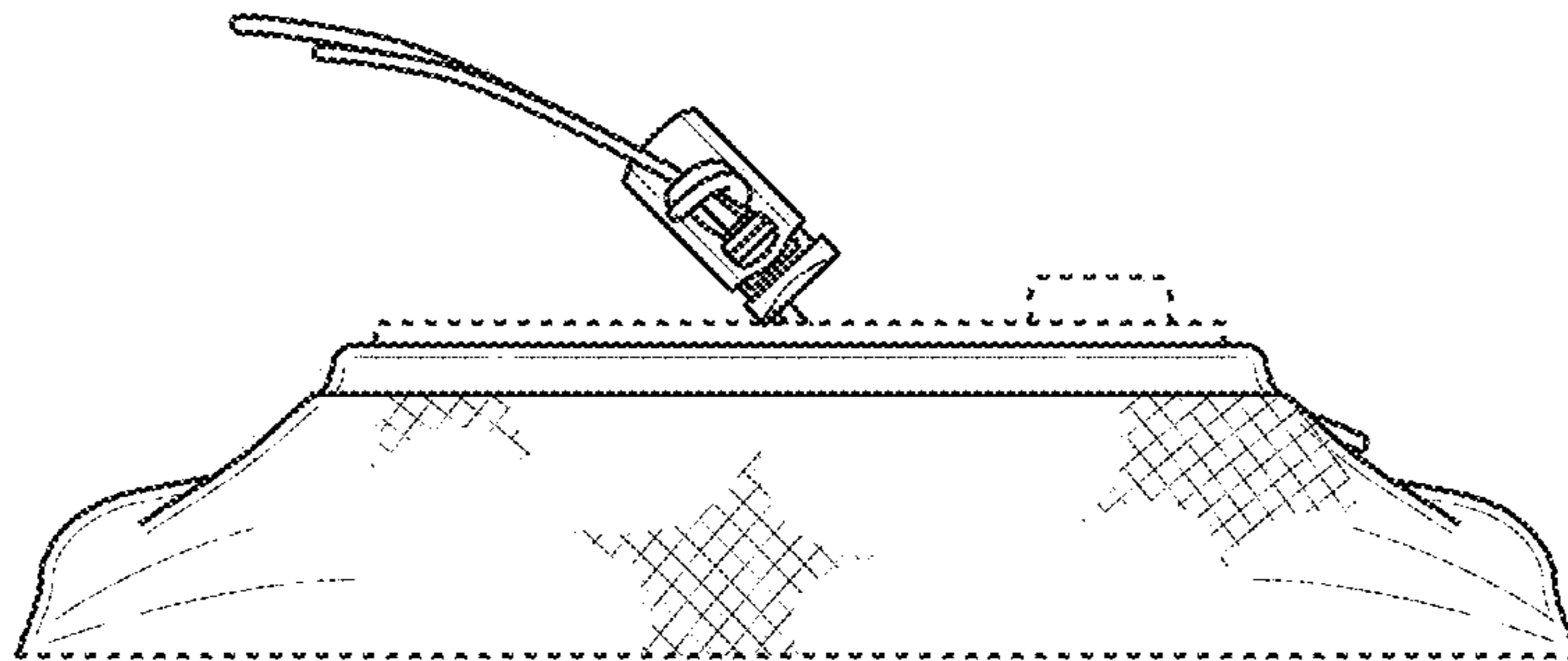


FIG. 8