



US00D927183S

(12) **United States Design Patent** (10) **Patent No.:** **US D927,183 S**
Sakai (45) **Date of Patent:** **** Aug. 10, 2021**

(54) **CASE FOR TOY BEADS**

(57) **CLAIM**

(71) Applicant: **EPOCH COMPANY LTD**, Tokyo (JP)

The ornamental design for a case for toy beads, as shown and described.

(72) Inventor: **Ryo Sakai**, Tokyo (JP)

(73) Assignee: **EPOCH COMPANY, LTD**, Tokyo (JP)

DESCRIPTION

(**) Term: **15 Years**

(21) Appl. No.: **29/708,117**

(22) Filed: **Oct. 3, 2019**

(30) **Foreign Application Priority Data**

Apr. 3, 2019 (JP) 2019-007261
Apr. 3, 2019 (JP) 2019-007262

(51) **LOC (13) Cl.** **03-01**

(52) **U.S. Cl.**
USPC **D3/302; D3/271.1**

(58) **Field of Classification Search**
USPC D3/20, 24, 25, 274, 276, 291, 302, 905,
D3/294, 201, 203.1, 203.2, 273, 295, 298,
(Continued)

(56) **References Cited**

U.S. PATENT DOCUMENTS

D438,788 S * 3/2001 Rigel D9/669
D795,577 S * 8/2017 Brown-Gayles D3/274
(Continued)

OTHER PUBLICATIONS

Amazon.co.jp, "Aqua Beads Star Beads Debut Set", First on sale Mar. 14, 2020. (<https://www.amazon.co.jp/Aqua-Beads-Star-Debut-Set/dp/B0846CT5K5>) (Year: 2020).*

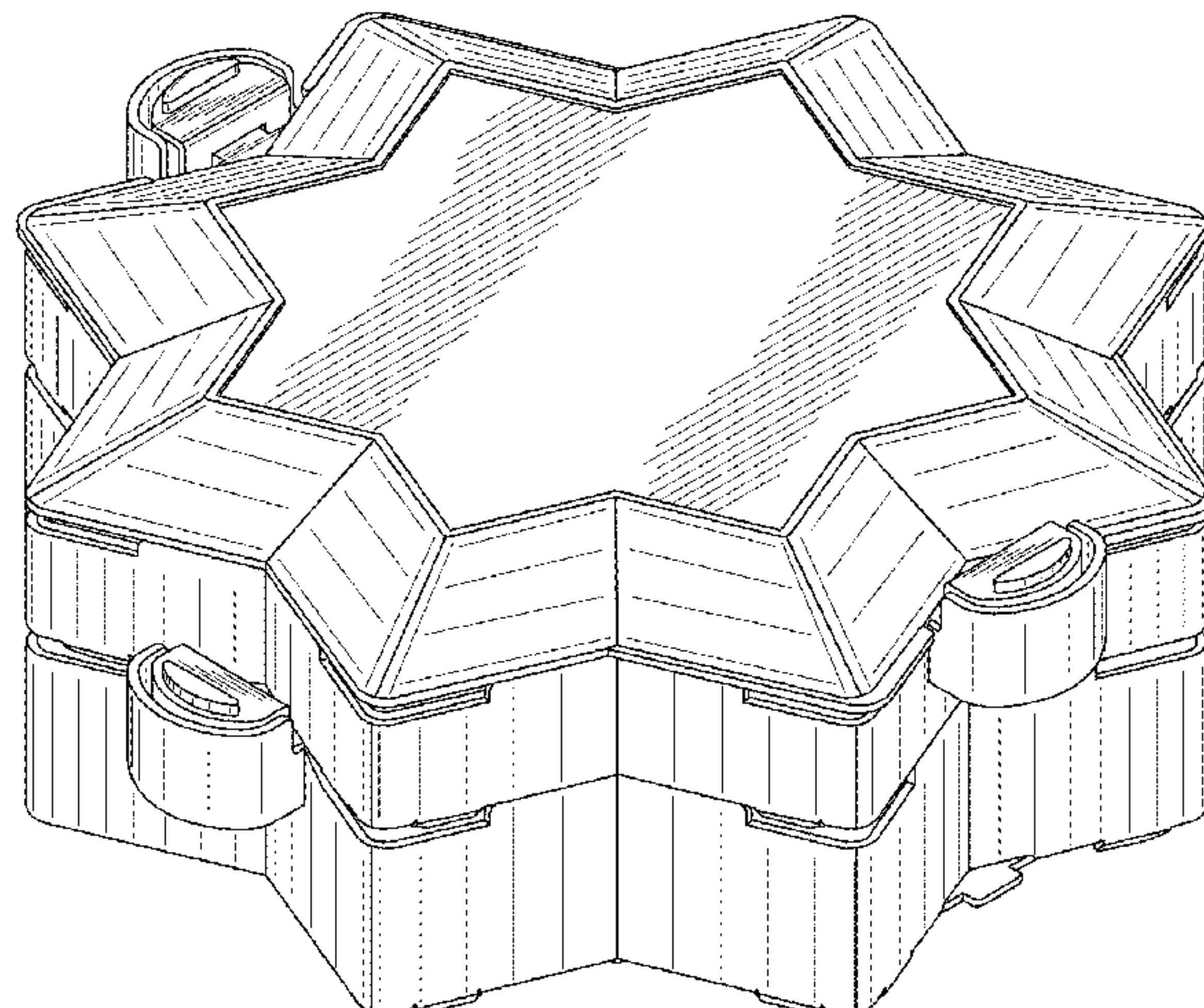
(Continued)

Primary Examiner — April Rivas

(74) *Attorney, Agent, or Firm* — Fitzgerald IP Law; John K Fitzgerald, Esq.

FIG. 1 is a perspective view of portions of the front, top, and right side of a case for toy beads showing a first embodiment of my new design;
FIG. 2 is a perspective view of portions of the rear, bottom, and left side thereof;
FIG. 3 is a front view thereof;
FIG. 4 is a rear view thereof;
FIG. 5 is a top view thereof;
FIG. 6 is a bottom view thereof;
FIG. 7 is a right side view thereof;
FIG. 8 is a left side view thereof;
FIG. 9 is a perspective view of a lid part of the case for toy beads;
FIG. 10 is a perspective view of a first-stage case part of the case for toy beads;
FIG. 11 is a perspective view of a second-stage case part of the case for toy beads;
FIG. 12 is a perspective view of portions of the front, top, and right side of a case for toy beads showing a second embodiment of my new design;
FIG. 13 is a perspective view of portions of the rear, bottom, and left side thereof;
FIG. 14 is a front view thereof;
FIG. 15 is a rear view thereof;
FIG. 16 is a top view thereof;
FIG. 17 is a bottom view thereof;
FIG. 18 is a right side view thereof;
FIG. 19 is a left side view thereof;
FIG. 20 is a perspective view of a lid part of the case for toy beads;
FIG. 21 is a perspective view of a first-stage case part of the case for toy beads;
FIG. 22 is a perspective view of a second-stage case part of the case for toy beads; and
FIG. 23 is a perspective view of a third-stage case part of the case for toy beads.

(Continued)



The portions of the case which are shown individually are for convenience of illustration.

1 Claim, 23 Drawing Sheets

(58) Field of Classification Search

USPC D3/318, 901, 902, 903, 217, 271.1;
D9/669, 661, 664, 653, 600; D28/79, 81,
D28/76

CPC A45F 3/48; B65D 50/04; A45C 2011/001;
A45C 2011/003

See application file for complete search history.

(56) References Cited

U.S. PATENT DOCUMENTS

D875,545 S * 2/2020 Bagramyan D9/669
D883,669 S * 5/2020 Sakai D3/294
D915,067 S * 4/2021 Sakai D3/271.1
D915,772 S * 4/2021 Sakai D3/313
D915,902 S * 4/2021 Mastronardi D9/669

OTHER PUBLICATIONS

Amazon, "EnviUs SnapCube—Snap & Stackable Storage Case . . .", First on sale Dec. 16, 2015. (<https://www.amazon.com/EnviUs-SnapCube-Stackable-Storage-Rainbow/dp/B019ERFY32/>) (Year: 2015).*

* cited by examiner

FIG. 1

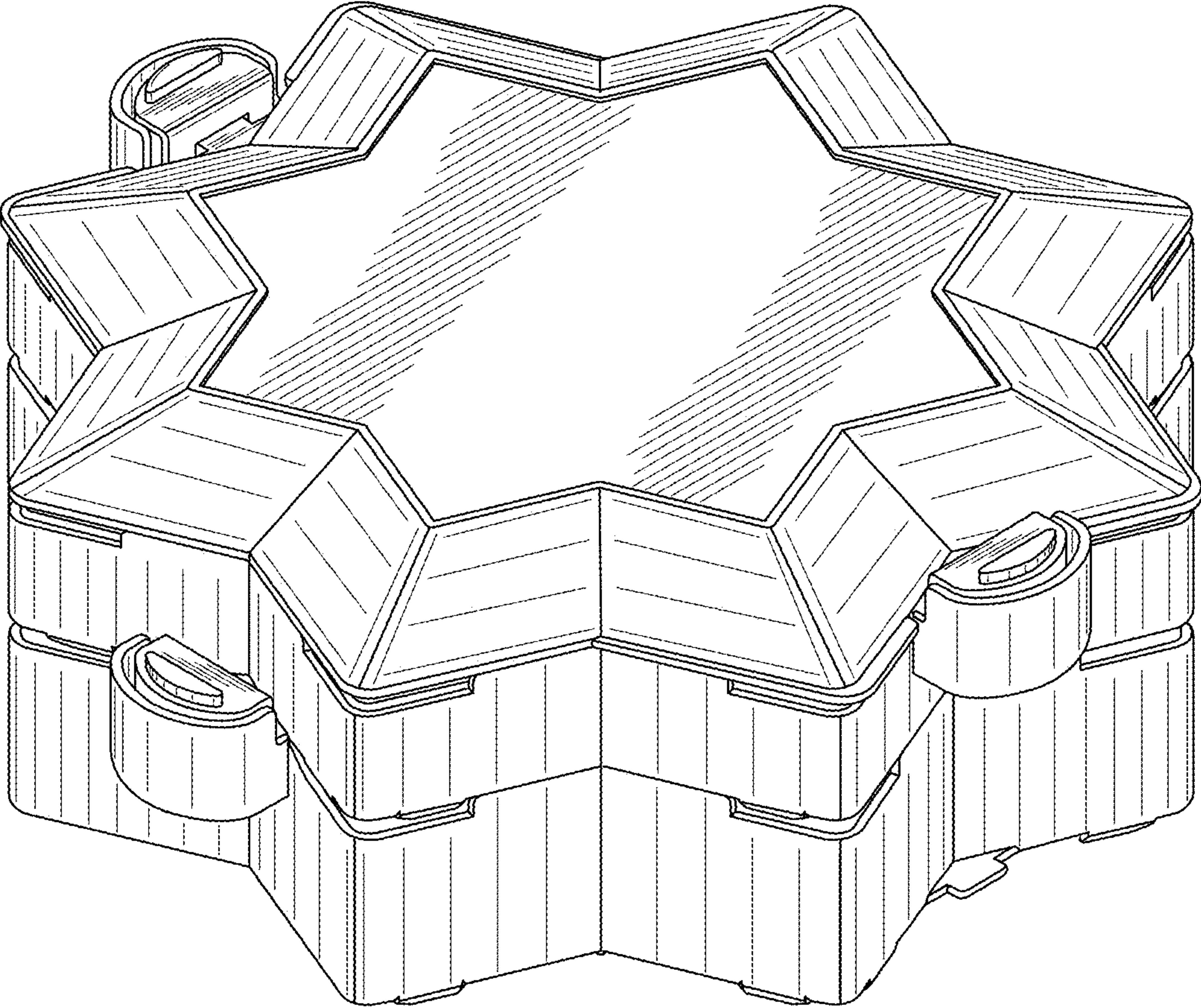


FIG. 2

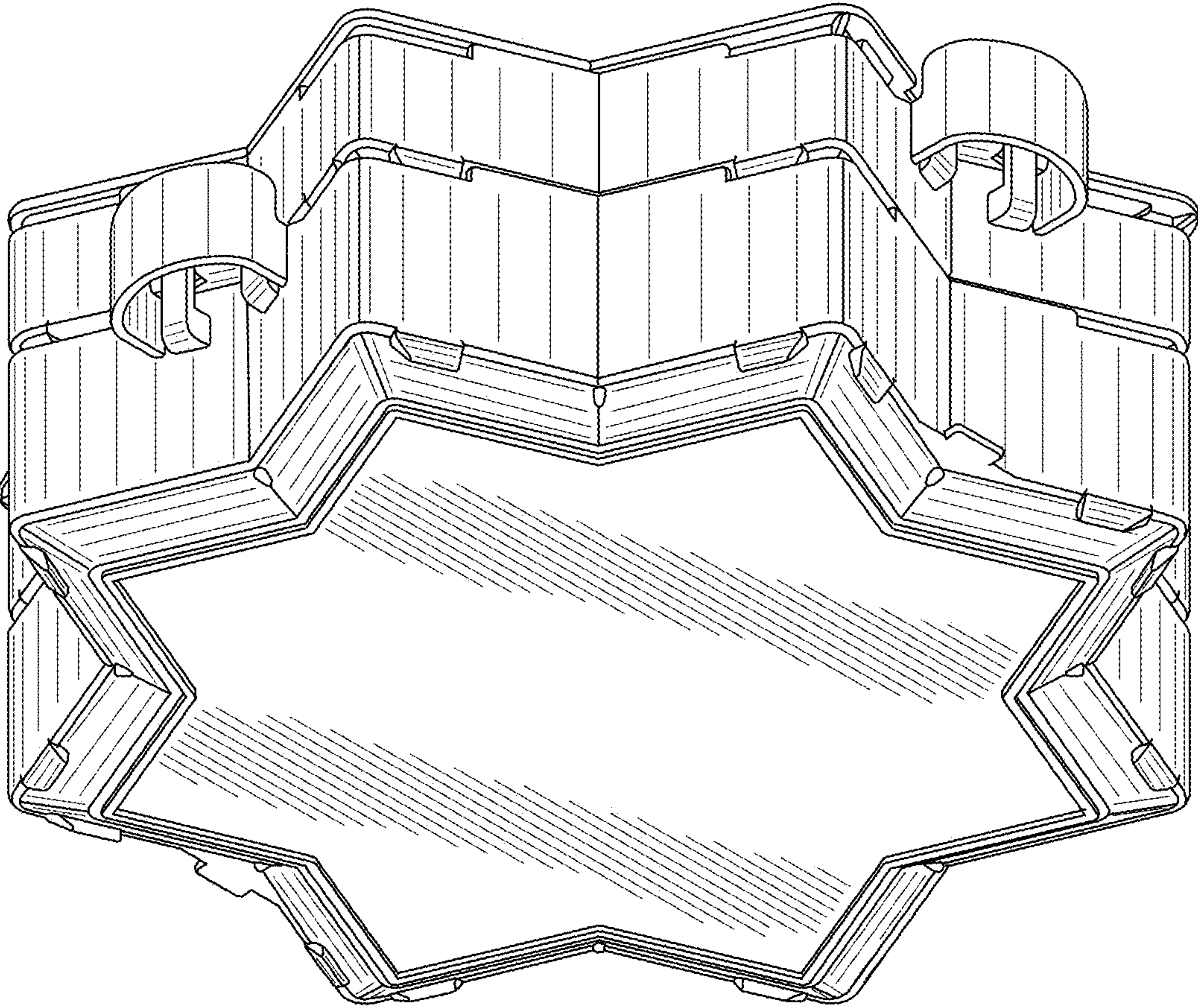


FIG. 3

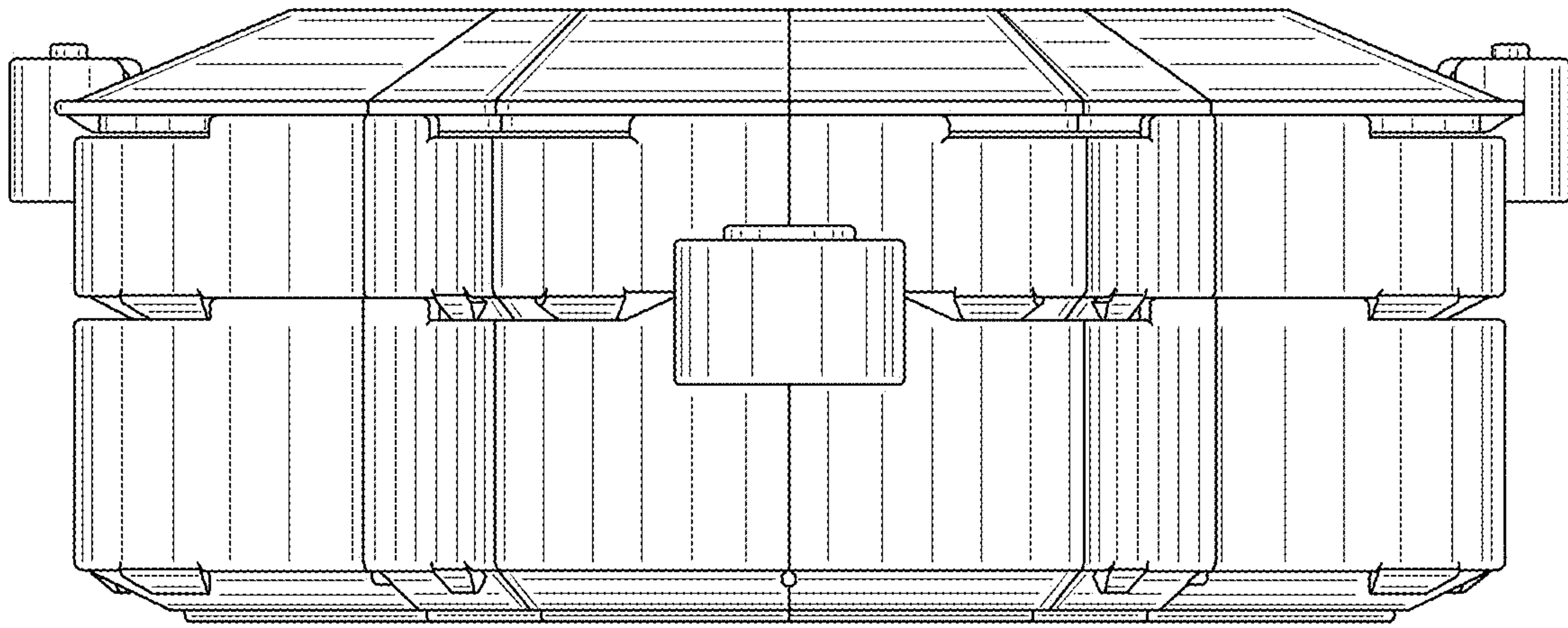


FIG. 4

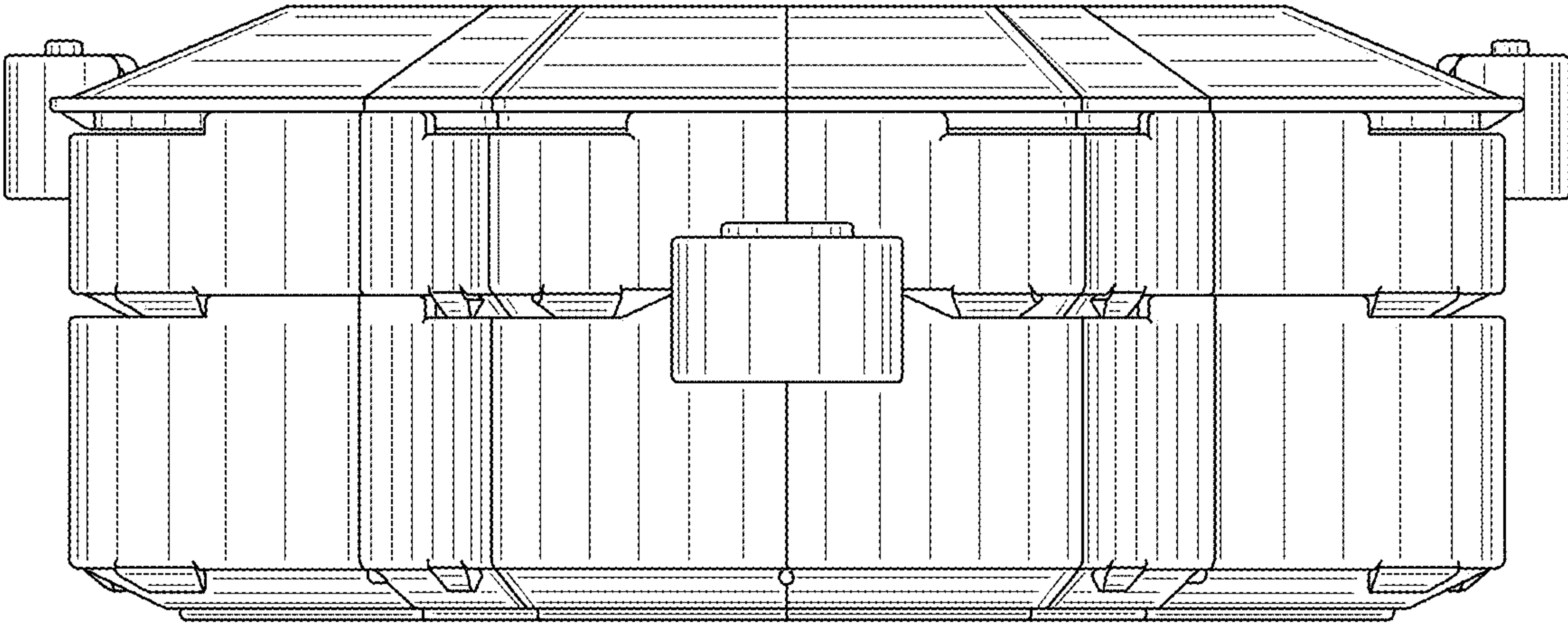


FIG. 5

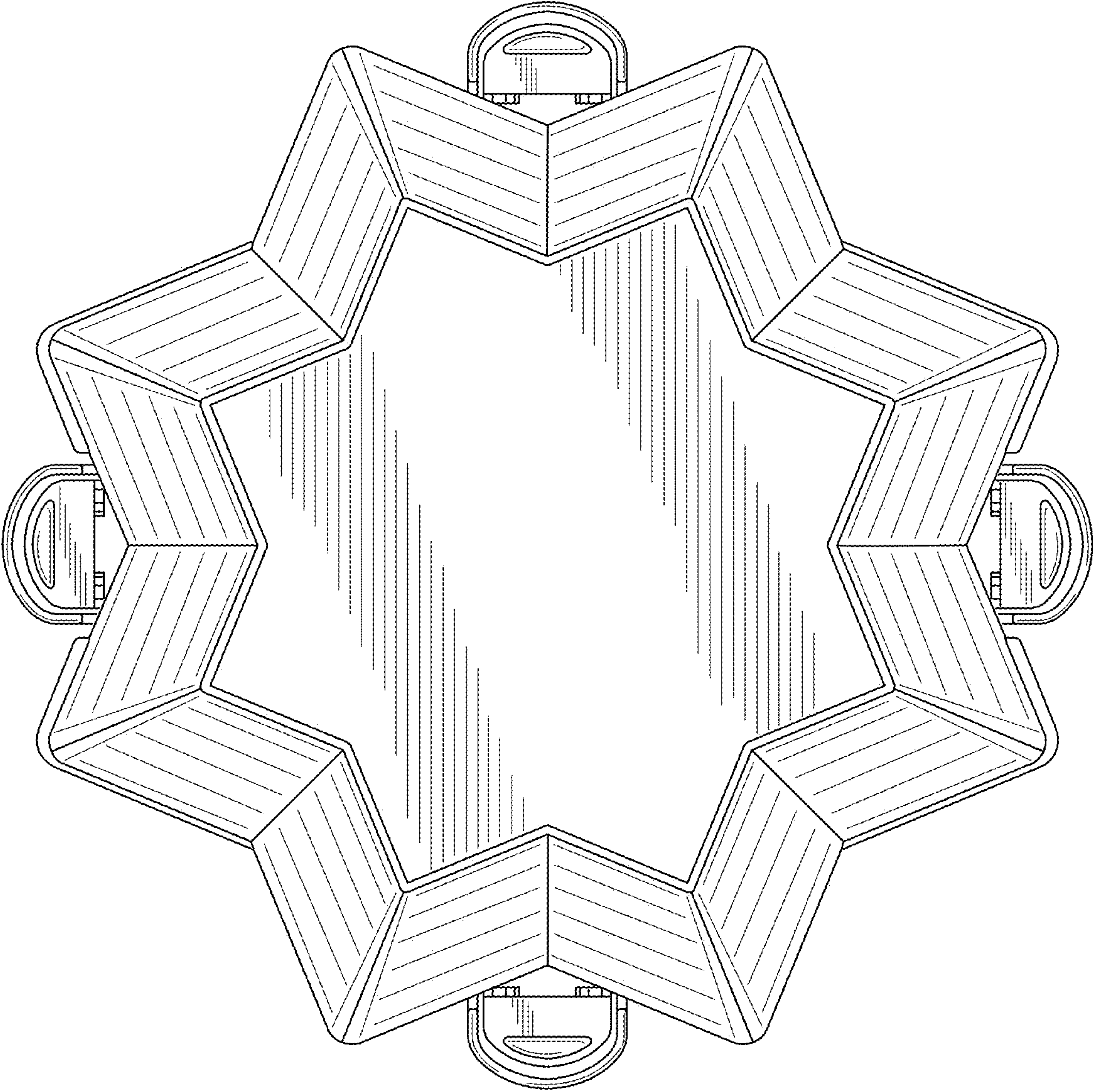


FIG. 6

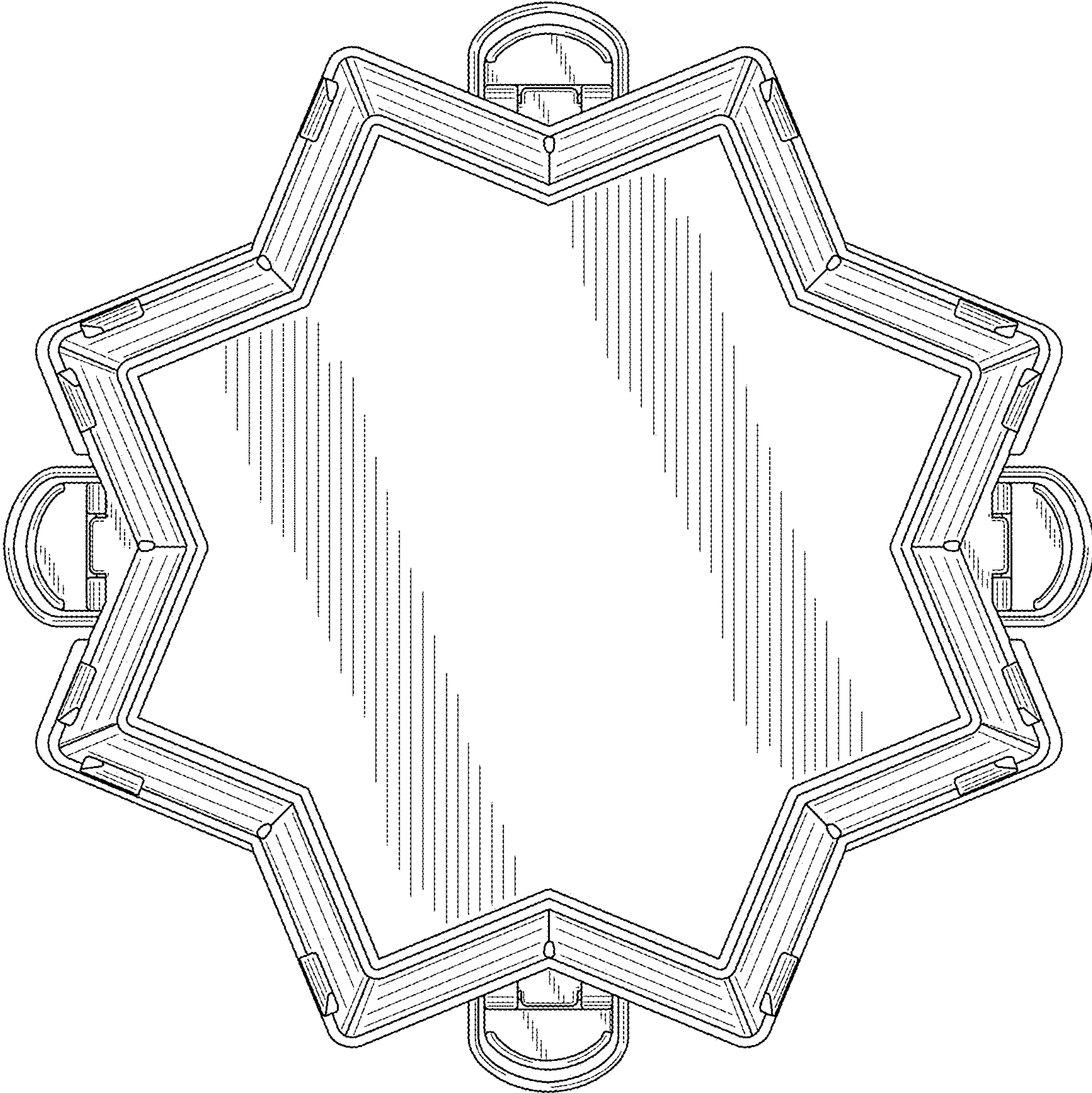


FIG. 7

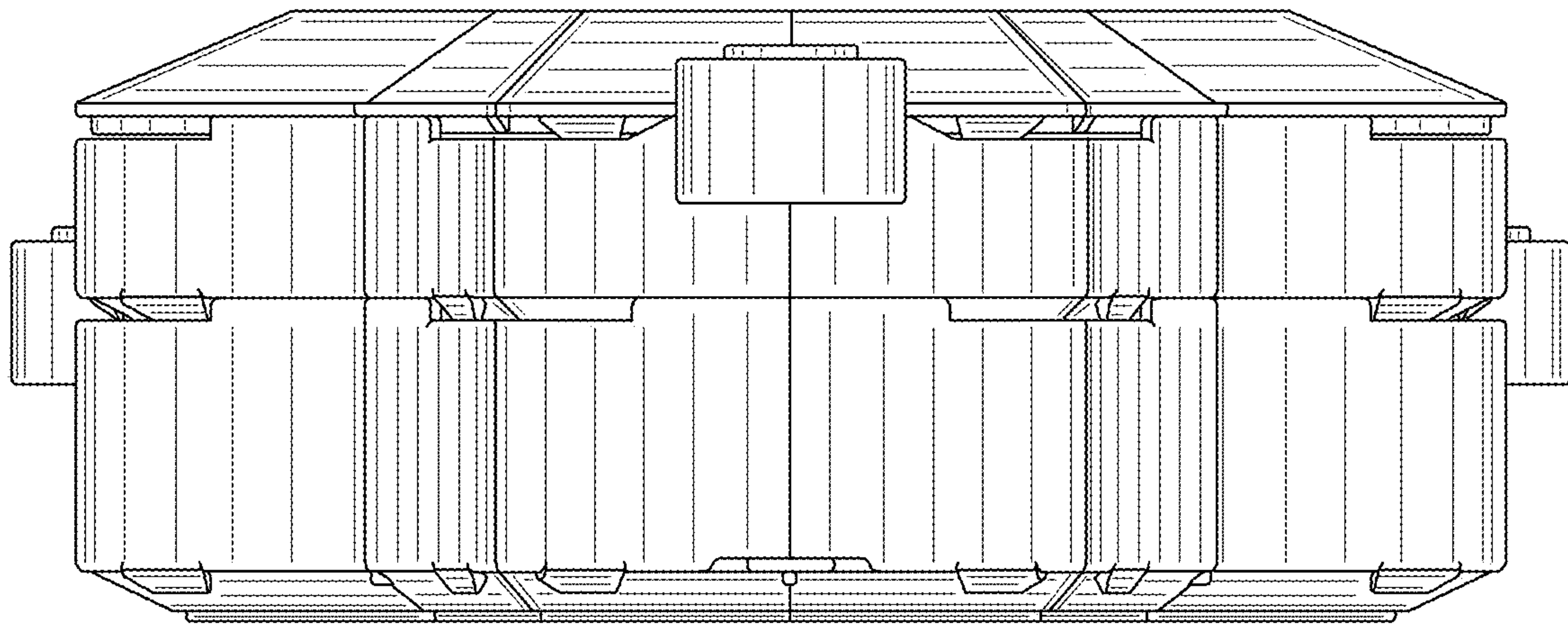


FIG. 8

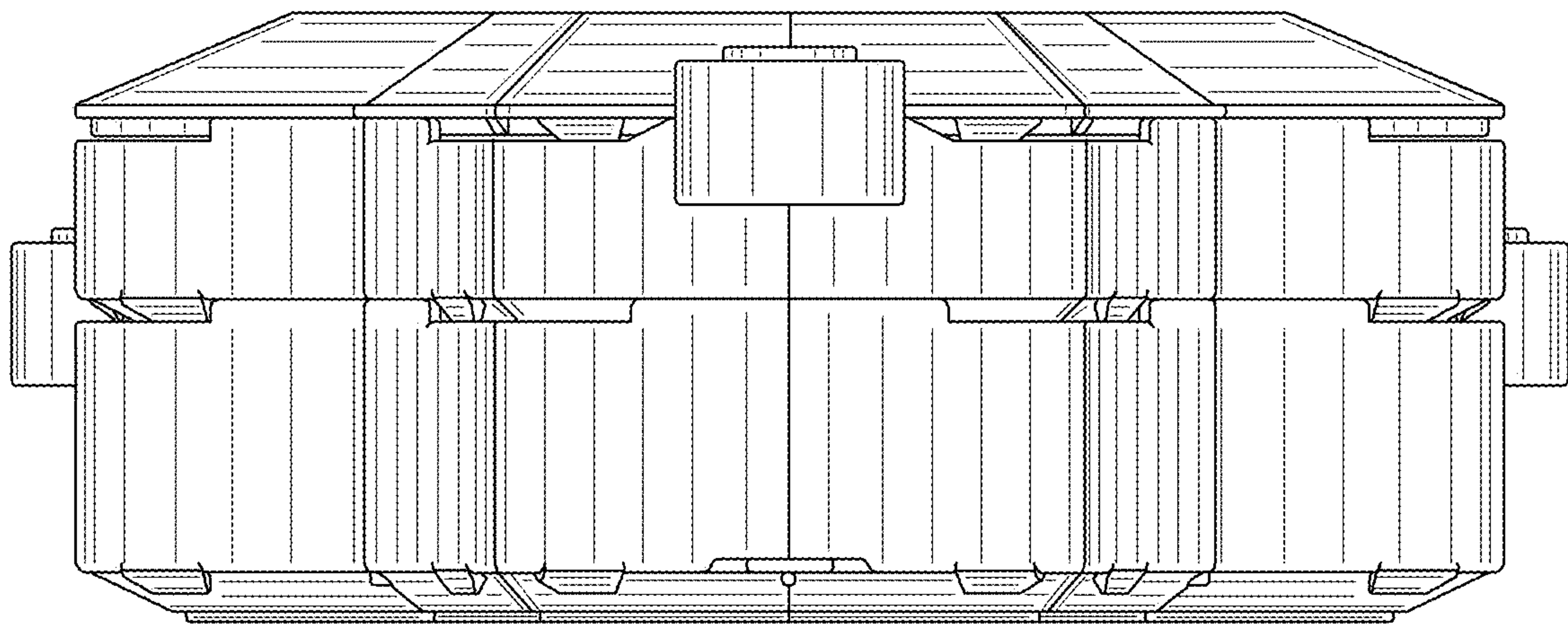


FIG. 9

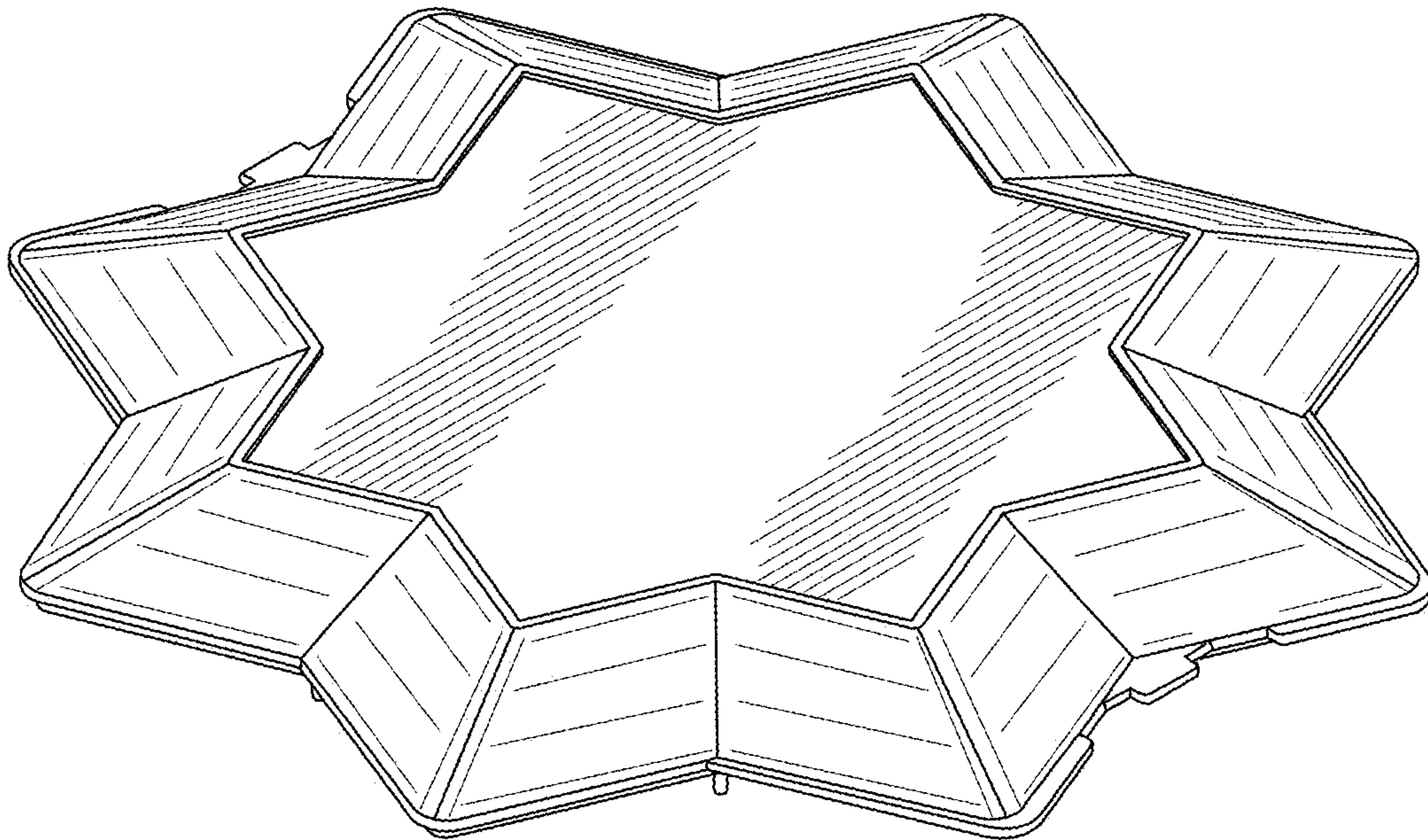


FIG. 10

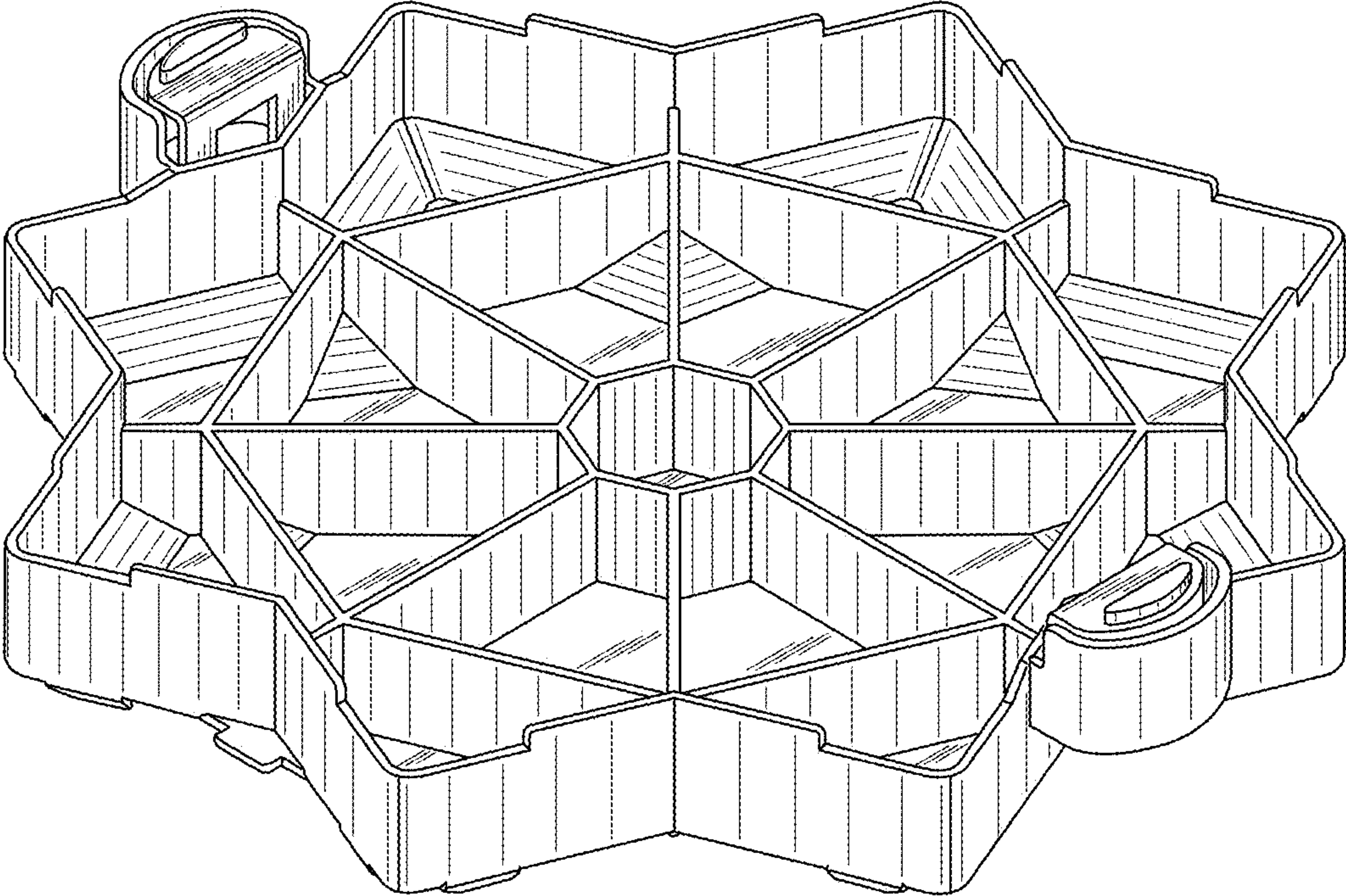


FIG. 11

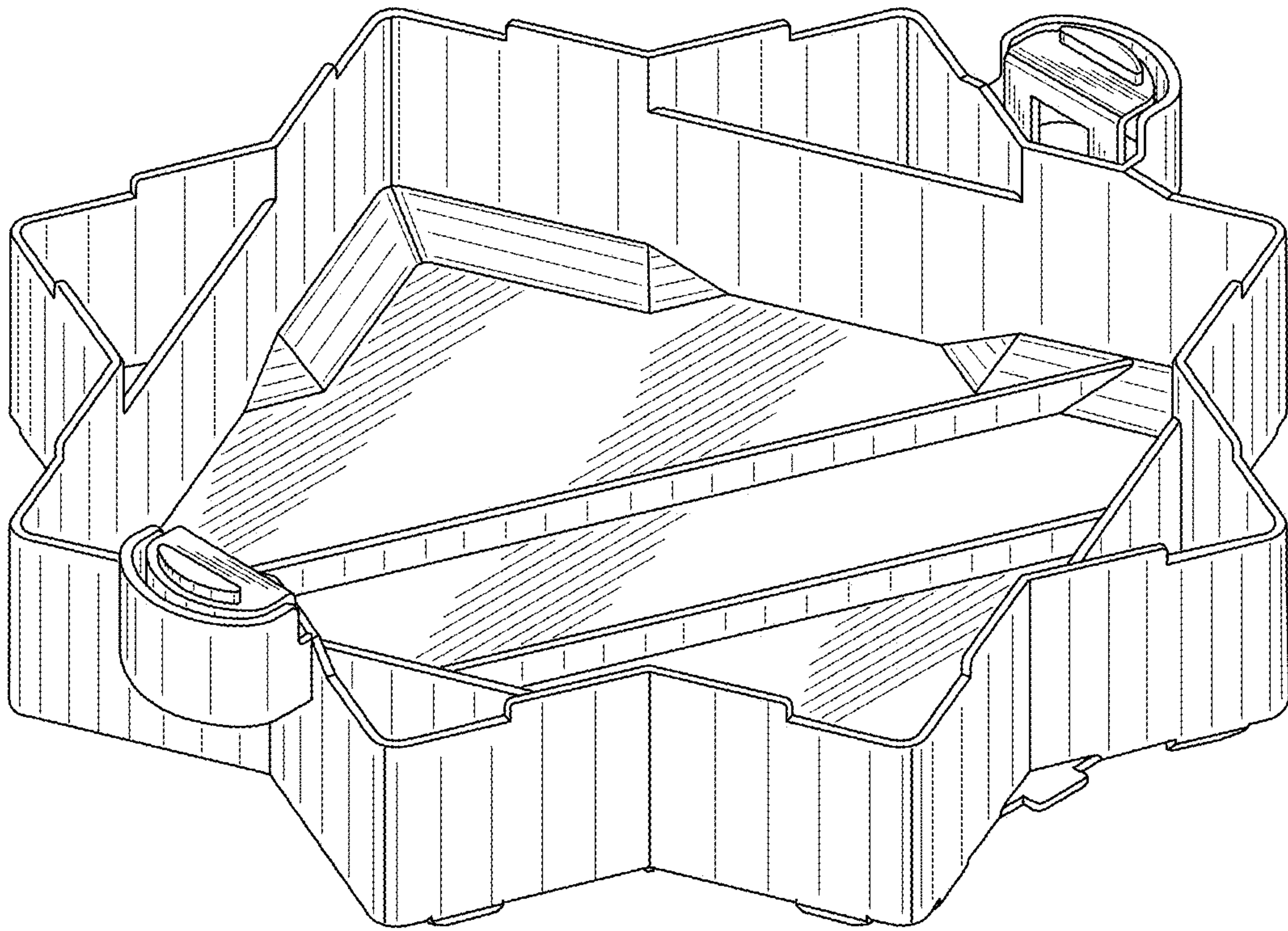


FIG. 12

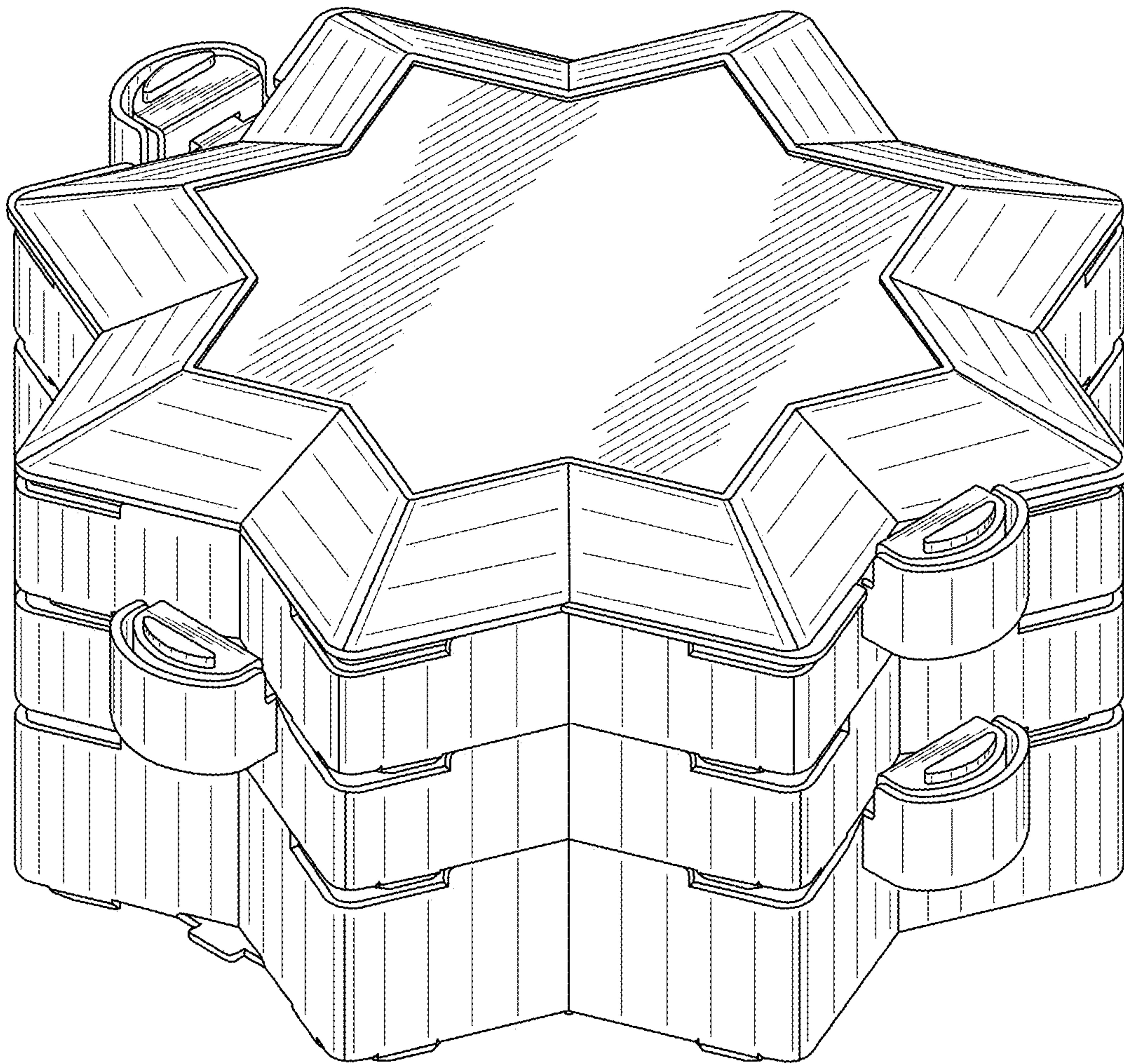


FIG. 13

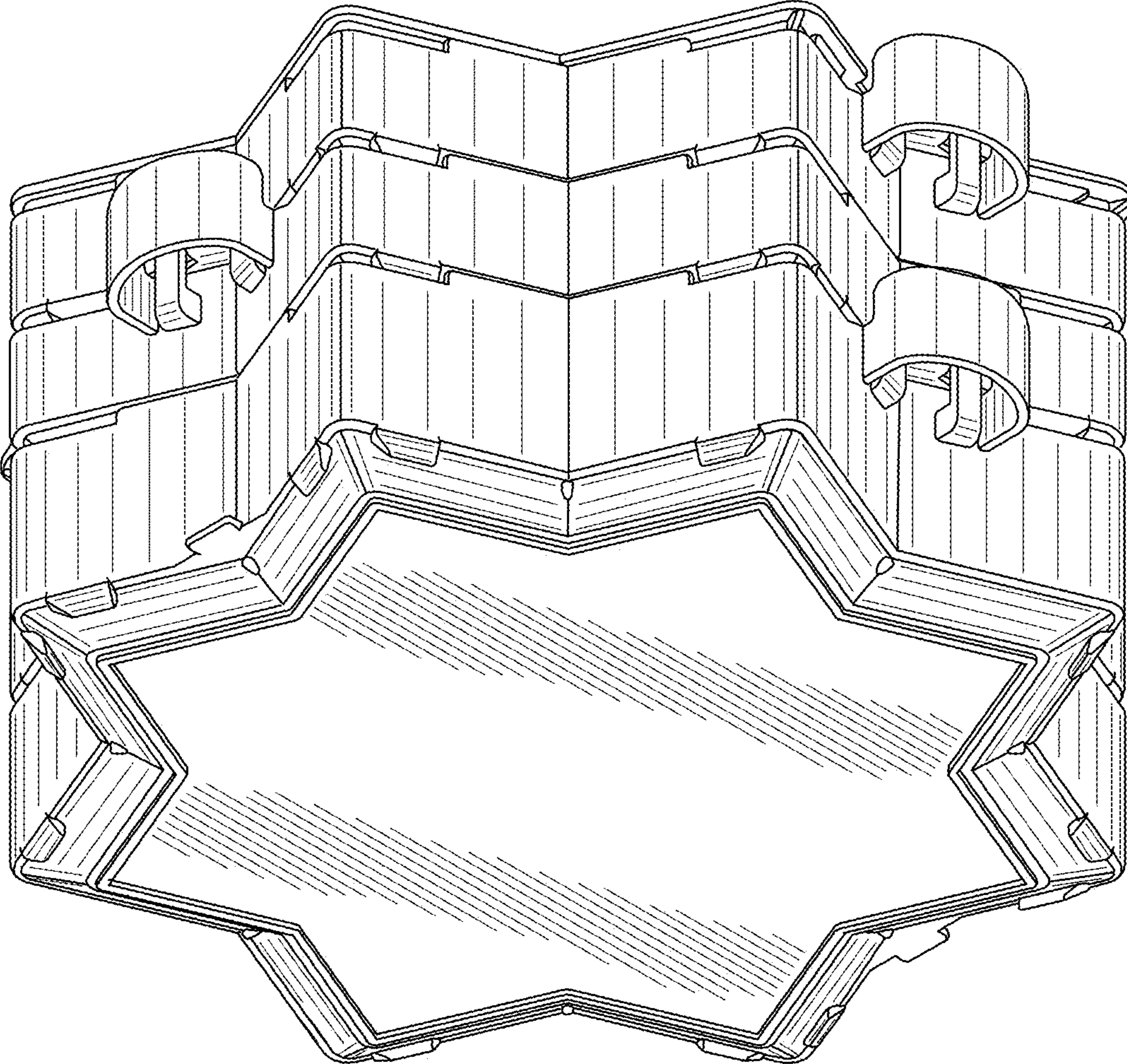


FIG. 14

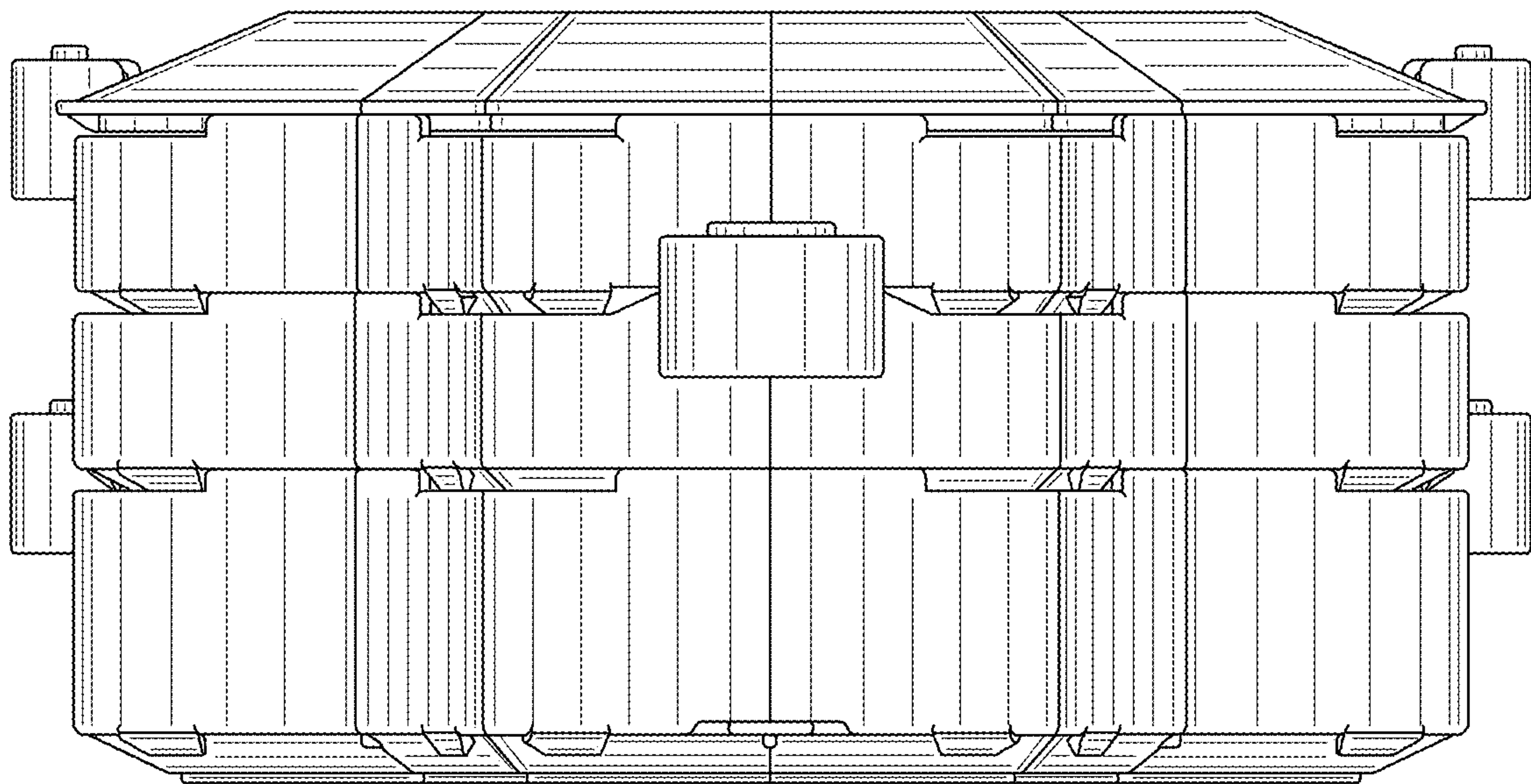


FIG. 15

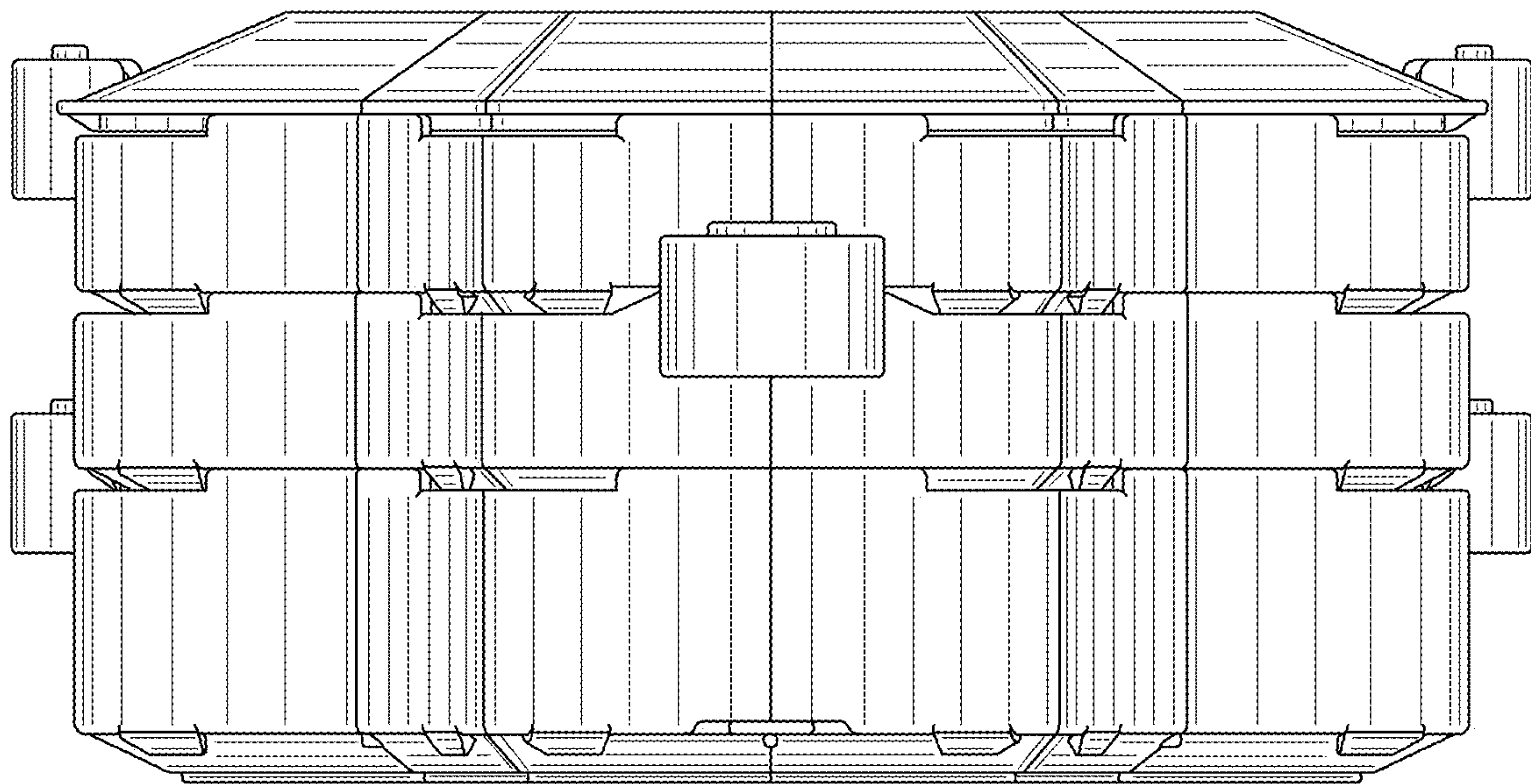


FIG. 16

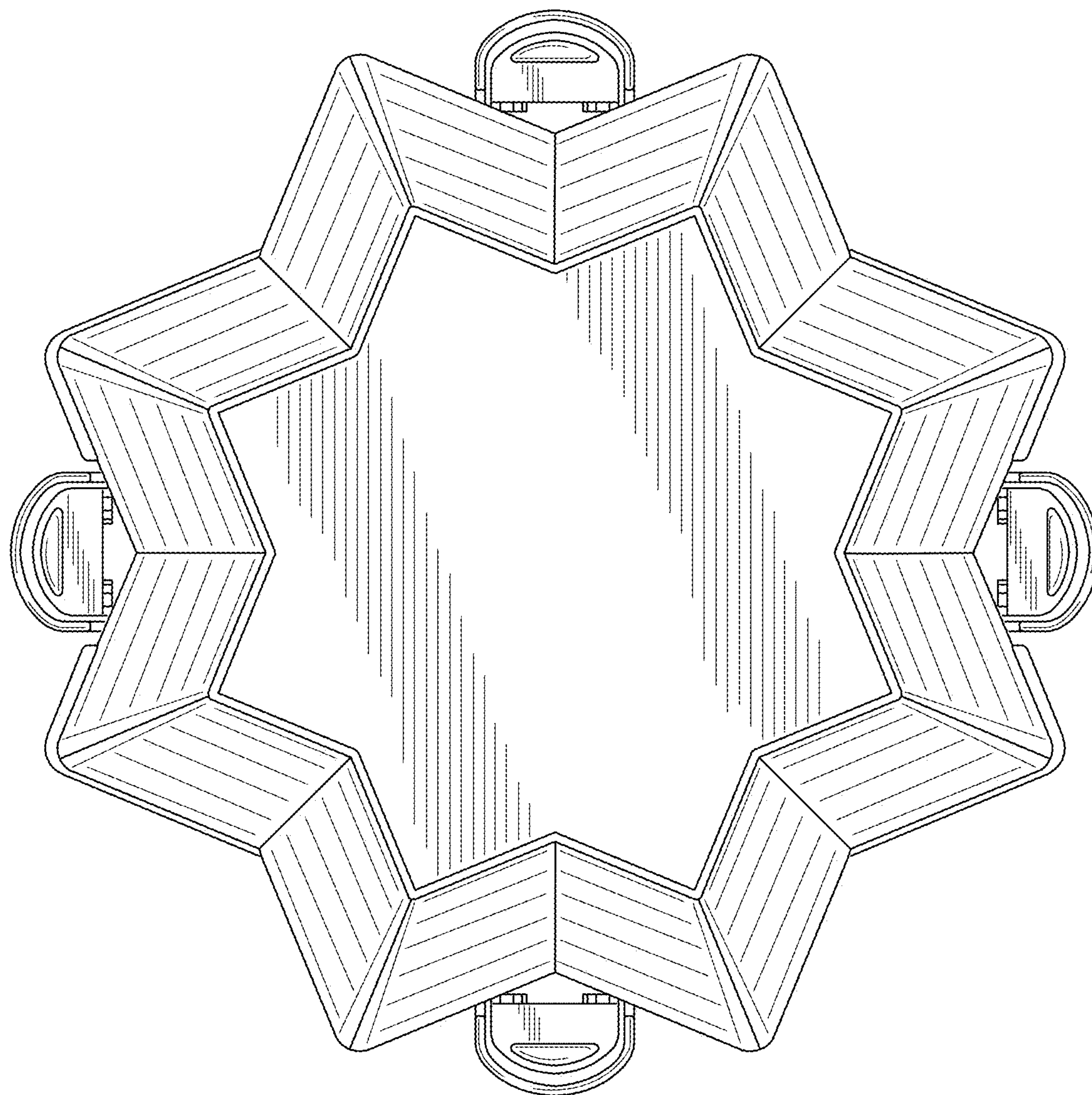


FIG. 17

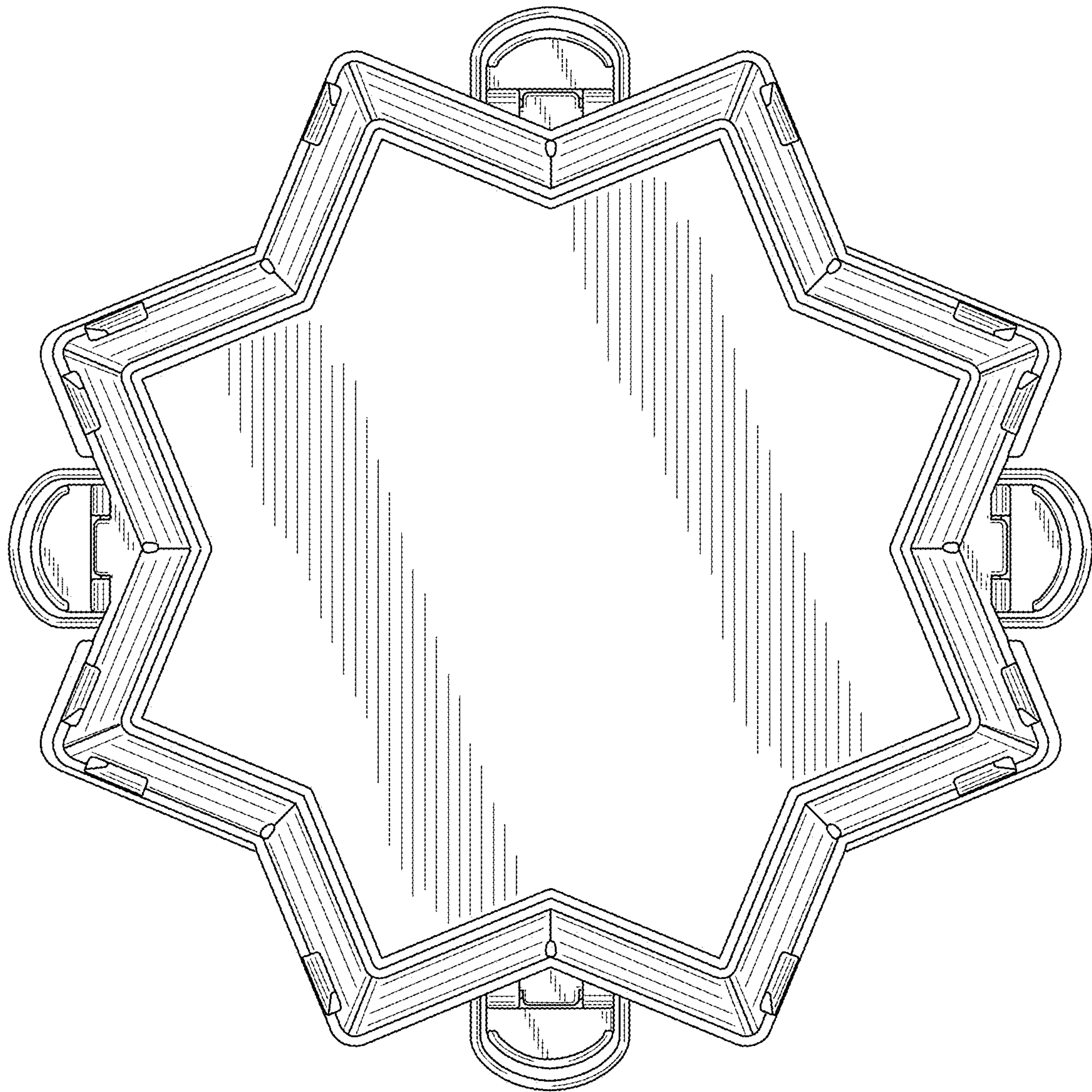


FIG. 18

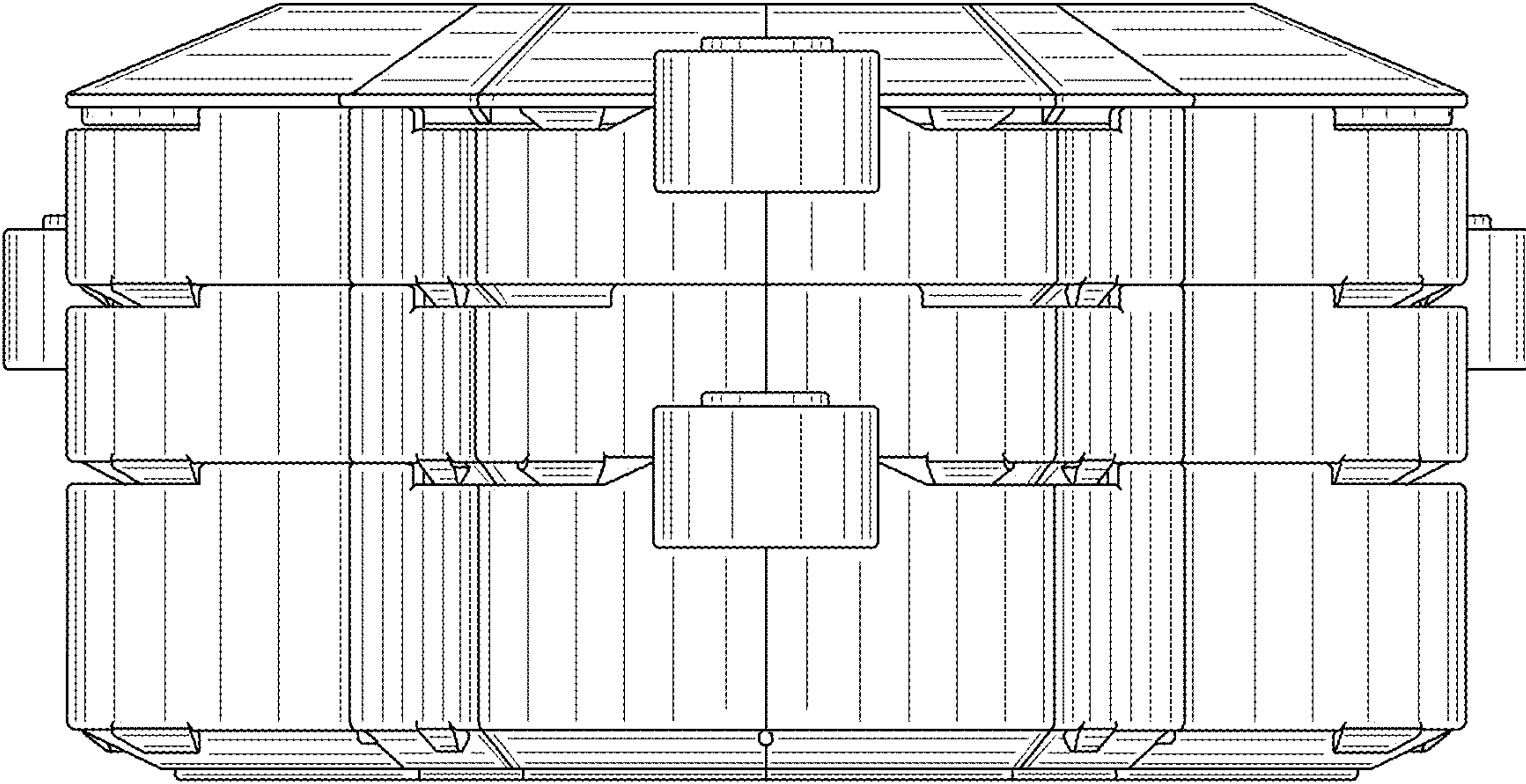


FIG. 19

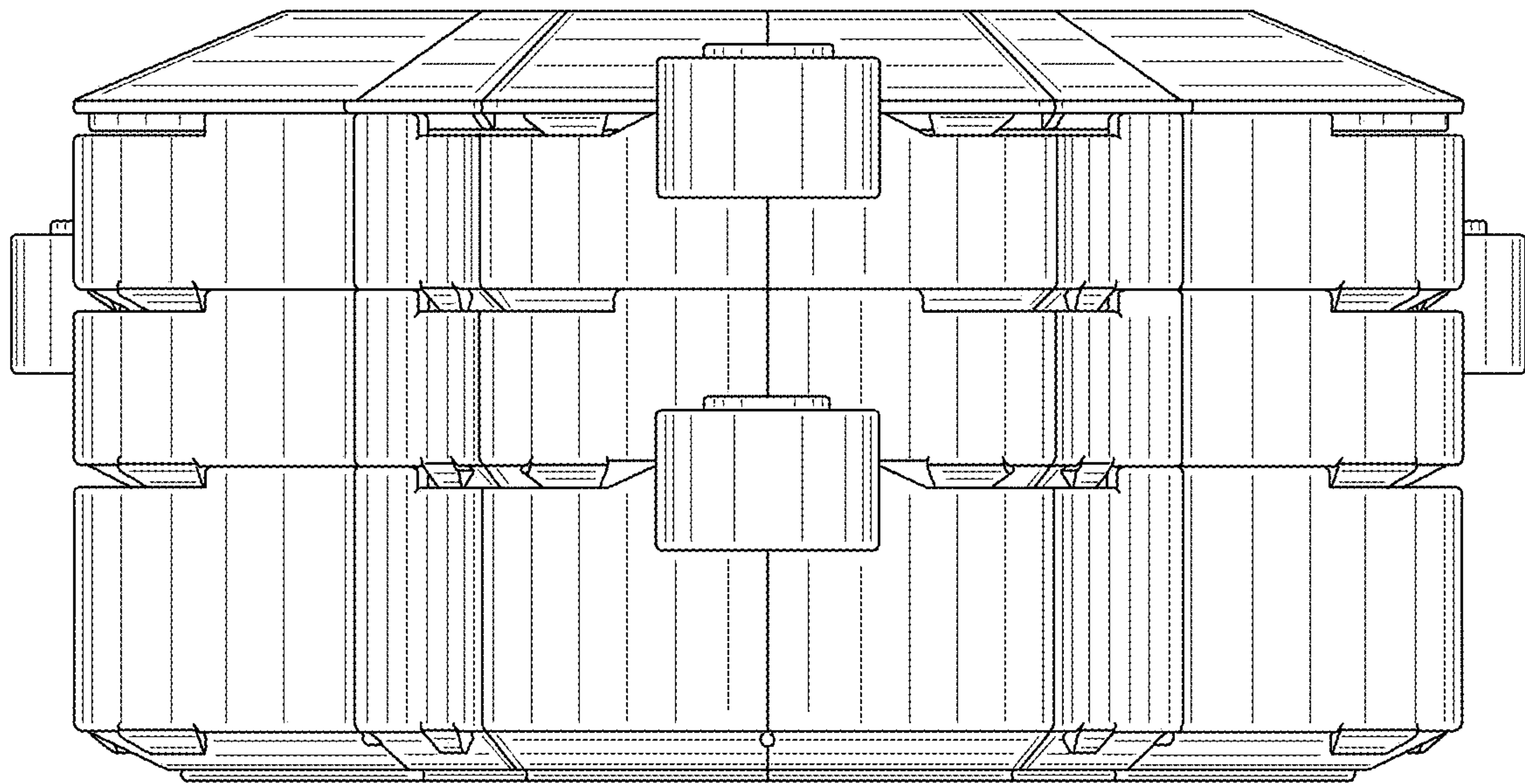


FIG. 20

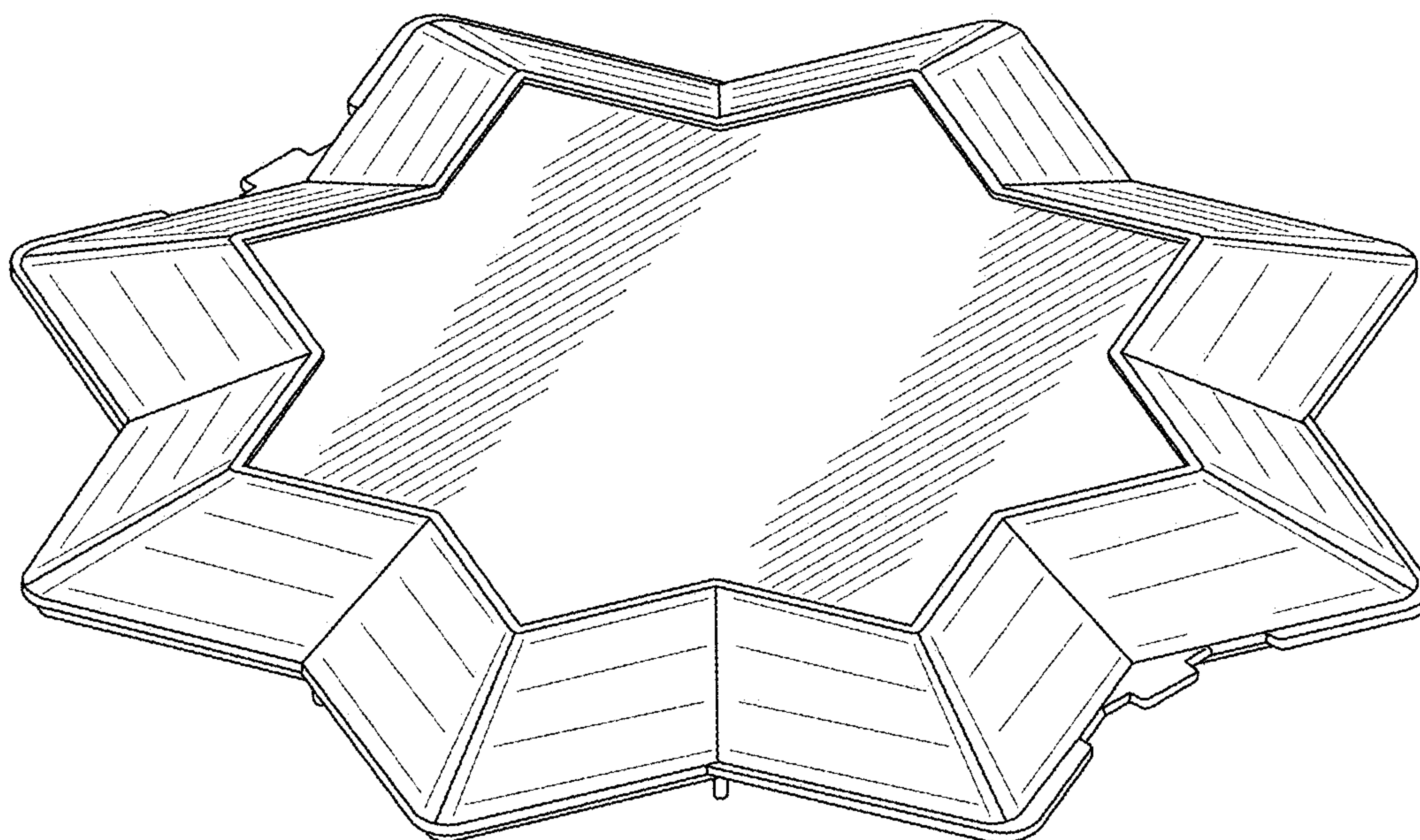


FIG. 21

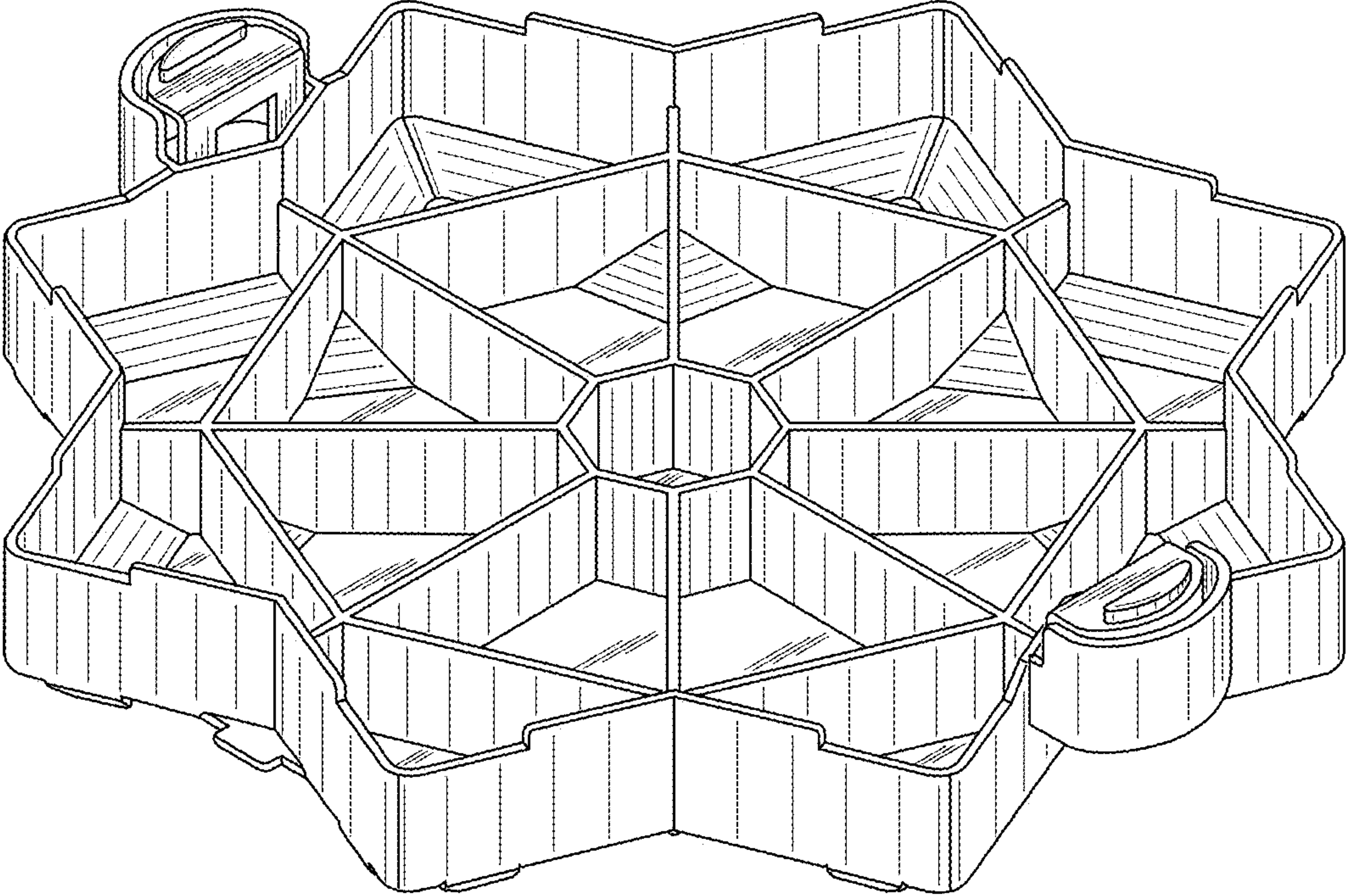


FIG. 22

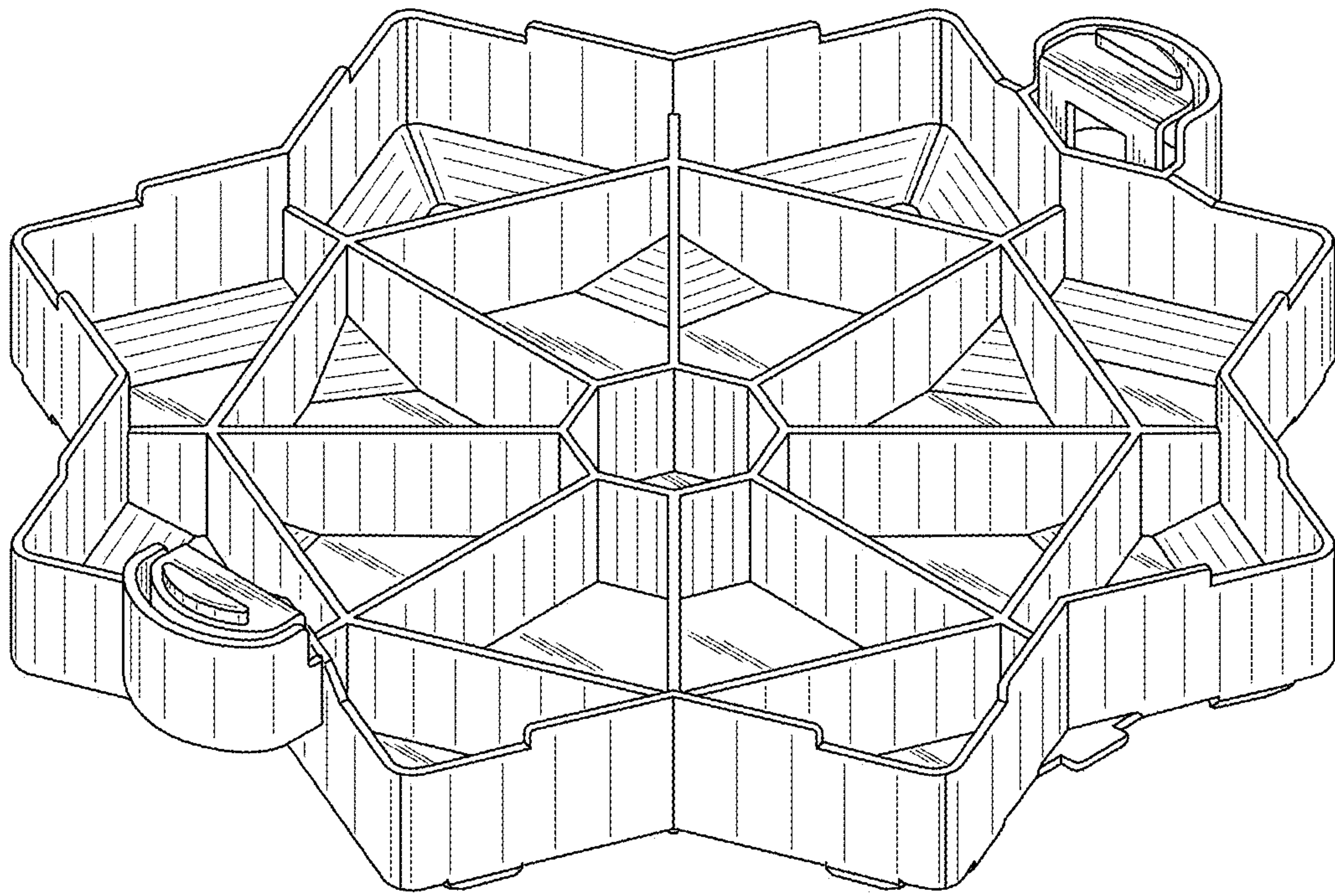


FIG. 23

