



US00D927182S

(12) **United States Design Patent** (10) **Patent No.:** **US D927,182 S**
Hyun (45) **Date of Patent:** **** Aug. 10, 2021**

(54) **CASE FOR EARPHONES**
(71) Applicant: **SPIGEN KOREA CO., LTD.**, Seoul (KR)
(72) Inventor: **Young Kwang Hyun**, Seoul (KR)
(**) Term: **15 Years**
(21) Appl. No.: **29/652,160**
(22) Filed: **May 27, 2020**

D786,787 S * 5/2017 Yang D13/103
D791,754 S 7/2017 Armstrong et al.
D794,617 S 8/2017 Wright et al.
D794,618 S 8/2017 Wright et al.
D794,625 S 8/2017 Armstrong et al.
D802,576 S 11/2017 Ahn
D802,577 S 11/2017 Ahn
D806,082 S 12/2017 Armstrong et al.
(Continued)

Related U.S. Application Data

(63) Continuation of application No. 29/684,401, filed on Mar. 20, 2019, now Pat. No. Des. 887,140.
(51) **LOC (13) Cl.** **03-01**
(52) **U.S. Cl.**
USPC **D3/302**; D14/440
(58) **Field of Classification Search**
USPC D3/201, 218, 273, 274, 294, 208, 212,
D3/302, 295, 266, 321; D13/108;
D14/440
CPC A45C 2011/001; A45C 13/002
See application file for complete search history.

OTHER PUBLICATIONS

“Spigen Tough Armor iPhone SE/5S/5 Case with Extreme Heavy Duty Protection and Air Cushion Technology for iPhone SE/iPhone 5S/iPhone 5—Metal Slate”, <https://www.amazon.com/Spigen-Extreme-Protection-Cushion-Technology/dp/B00DMKGPP4>, Earliest review date of Aug. 1, 2013.
(Continued)

Primary Examiner — April Rivas
(74) *Attorney, Agent, or Firm* — Paul Chung

(57) **CLAIM**

The ornamental design of a case for earphones, as shown and described.

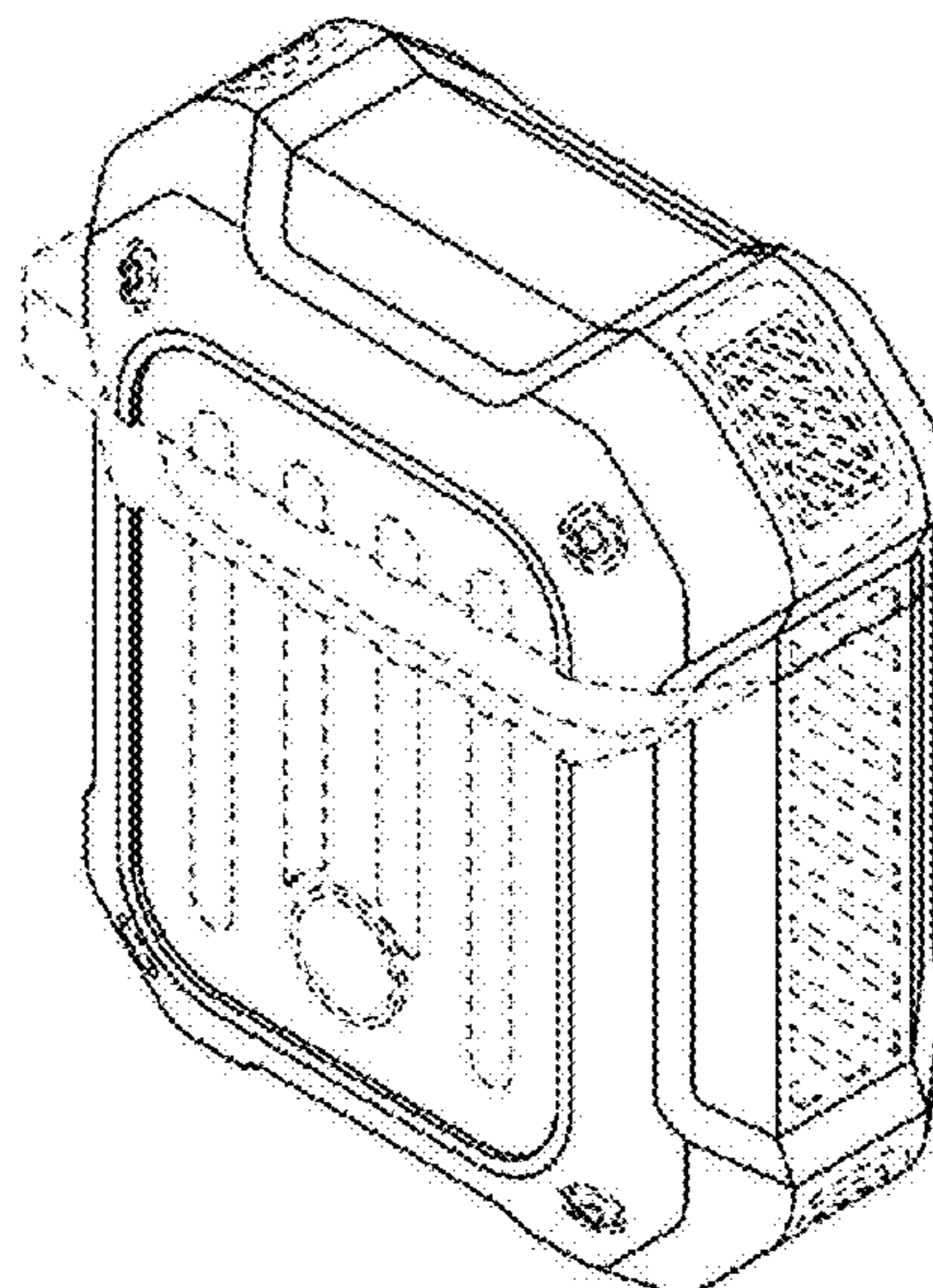
DESCRIPTION

FIG. 1 is a front perspective view of the case for earphones showing my new design;
FIG. 2 is a rear perspective view thereof;
FIG. 3 is a front elevational view thereof;
FIG. 4 is a rear elevational view thereof;
FIG. 5 is a left side elevational view thereof;
FIG. 6 is a right side elevational view thereof;
FIG. 7 is a top plan view thereof; and,
FIG. 8 is a bottom plan view thereof.
The broken lines throughout the drawing figures depict portions of the case for earphones that form no part of the claimed design.

(56) **References Cited**
U.S. PATENT DOCUMENTS

D259,596 S	6/1981	Gray
D452,611 S	1/2002	Redgrave
D475,696 S	6/2003	Hussaini et al.
D586,557 S	2/2009	Jalet
D604,501 S	11/2009	Lee
D614,048 S	4/2010	Smith
D636,598 S	4/2011	Tseng et al.
D676,654 S	2/2013	Weremchuk et al.
D733,154 S	6/2015	Armstrong et al.
D738,110 S	9/2015	Jiang et al.
D740,018 S	10/2015	Zhang et al.
D747,303 S	1/2016	Su et al.
D756,626 S	5/2016	Tollefsbol et al.
D762,631 S	8/2016	Kim

1 Claim, 8 Drawing Sheets



(56)

References Cited

U.S. PATENT DOCUMENTS

D806,388 S	1/2018	Akana et al.	
D809,454 S *	2/2018	Zhou	D13/103
D812,618 S	3/2018	Altaras	
D813,909 S	3/2018	Lacy-Nichols	
D816,651 S	5/2018	Chiang et al.	
D817,640 S	5/2018	Dang et al.	
D820,820 S	6/2018	Ahn	
D821,306 S *	6/2018	Liu	D13/107
D823,246 S	7/2018	Lin	
D834,301 S	11/2018	Poissant	
D835,081 S	12/2018	Luo	
D838,480 S	1/2019	Son et al.	
D840,333 S	2/2019	Cooper et al.	
D841,580 S	2/2019	Bao	
D841,581 S	2/2019	Bonahoom et al.	
D843,364 S	3/2019	Sasaki et al.	
D846,264 S	4/2019	Wu	
D846,542 S	4/2019	Sasaki et al.	
D849,401 S	5/2019	Akana et al.	
D850,456 S	6/2019	Armstrong et al.	
D851,586 S *	6/2019	Liu	D13/108
D852,182 S	6/2019	Hyun	
D853,108 S	7/2019	Zaihui	
D858,994 S	9/2019	Chang	
D860,981 S	9/2019	Yuan	
D862,425 S	10/2019	Yan	
D863,285 S	10/2019	Chen	
D863,286 S	10/2019	Hong	
D864,110 S	10/2019	Yoshimura	
D864,861 S	10/2019	Roberts	
D864,971 S	10/2019	Lee et al.	
D865,739 S	11/2019	Altschul et al.	
D868,453 S	12/2019	Lee et al.	
D868,465 S	12/2019	Lee et al.	
D868,788 S	12/2019	Weng	
D869,147 S *	12/2019	Lian	D3/201
D869,163 S	12/2019	Maguire	
D870,037 S	12/2019	Lee	
D870,451 S	12/2019	Birger	
D872,094 S	1/2020	Wright et al.	
D872,468 S	1/2020	Lee et al.	
D872,469 S	1/2020	Lee et al.	
D872,723 S	1/2020	Lee et al.	
D872,724 S	1/2020	Lee et al.	
D873,217 S	1/2020	Zhang	
D874,396 S *	2/2020	Rao	D13/107
D886,445 S *	6/2020	Hyun	D3/201
D887,140 S *	6/2020	Hyun	D3/302
D888,663 S *	6/2020	Weng	D13/108
D895,287 S *	9/2020	Hyun	D3/302
D895,288 S *	9/2020	Hyun	D3/302
D904,765 S *	12/2020	Hyun	D3/302
D911,949 S *	3/2021	Sun	D13/108

OTHER PUBLICATIONS

“Spigen Tough Armor Galaxy S5 Case with Extreme Heavy Duty Protection and Air Cushion Technology for Samsung Galaxy S5 2014—Gunmetal”, <https://www.amazon.com/Spigen-Extreme-Protection-Cushion-Technology/dp/B00I3UWDV8>, Earliest review date of Mar. 9, 2014.

“Spigen Tough Armor iPhone 6 Case with Extreme Heavy Duty Protection and Air Cushion Technology for iPhone 6S/iPhone 6—Smooth Black”, <https://www.amazon.com/Spigen-Extreme-Protection-Cushion-Technology/dp/B00NSSX23I>, Earliest review date of Aug. 14, 2014.

“Spigen Tough Armor Galaxy Note 4 Case with Extreme Heavy Duty Protection and Air Cushion Technology for Samsung Galaxy S5 2014—Gunmetal”, <https://www.amazon.com/Spigen-Extreme-Protection-Cushion-Technology/dp/B00I3UWDV8>, Earliest review date of Mar. 9, 2014.

“Spigen Tough Armor Galaxy S6 Case with Kickstand and Air Cushion Technology for Galaxy S6 2015—Gunmetal”, <https://www.amazon.com/dp/B00QU4PUKK>, Earliest review date of Mar. 23, 2015.

“Rugged Armor Designed for Apple Watch Case for 42mm Series 3/Series 2/1/Original (2015)—Black”, <https://www.amazon.com/Spigen-Rugged-Resilient-Absorption-Original/dp/B00UVSNQPM>, Earliest review date of Apr. 30, 2015.

“Spigen Tough Armor Designed for Apple Watch Case and Built in Screen Protector for 42mm (2015)—Gunmetal”, <https://www.amazon.com/Spigen-Extreme-Protection-Screen-Protector/dp/B00UVSOWBY>, Earliest review date of May 7, 2015.

“Spigen Tough Armor iPhone 6S Case with Extreme Heavy Duty Protection and Air Cushion Technology for iPhone 6S/ iPhone 6—Rose Gold”, <https://www.amazon.com/dp/B013TKNNGK>, Earliest review date of Aug. 30, 2015.

“Spigen Tough Armor Galaxy S7 Case with Extreme Heavy Duty Protection and Air Cushion Technology for Samsung Galaxy S7 2016—Gunmetal”, <https://www.amazon.com/dp/B01A71D3PS>, Earliest review date of Feb. 25, 2016.

“Spigen Tough Armor iPhone 7 Case with Jet Black Optimized Color and Extreme Heavy Duty Protection and Air Cushion Technology for iPhone 7 2016—Jet Black”, <https://www.amazon.com/Spigen-Optimized-Extreme-Protection-Technology/dp/B01LRSFLFM>, Earliest review date of Sep. 25, 2016.

“Spigen Tough Armor Designed for Apple Watch Case for 42mm Series 3 / Series 2/1 /Original (2015) / Nike+ Sport Edition and Built in Screen Protector—Gunmetal”, <https://www.amazon.com/dp/B01N74P26H>, Earliest review date of Jan. 4, 2017.

“Spigen Rugged Armor Extra Designed for LG G6 Case (2017) / Designed for LG G6 Plus (2017)—Black”, <https://www.amazon.com/Spigen-Rugged-Resilient-Absorption-Carbon/dp/B01N6T9PHS>, Earliest review date of Mar. 28, 2017.

“Spigen Tough Armor Galaxy S8 Case with Kickstand and Extreme Heavy Duty Protection and Air Cushion Technology for Samsung Galaxy S8 (2017)—Black”, <https://www.amazon.com/dp/B0716CZ3Z1>, Earliest review date of Apr. 9, 2017.

Spigen, “Spigen Rugged Armor Extra”, <https://www.youtube.com/watch?v=ILUEjn1P2hk>, Published on May 26, 2017.

“Spigen Rugged Armor Extra Galaxy Temp Case with Resilient Shock Absorption and Carbon Fiber Design for Galaxy Temp (2017)—Black”, <https://www.amazon.com/Spigen-Rugged-Galaxy-Resilient-Absorption/dp/B01MTEQVNB>, Earliest review date of Jul. 6, 2017.

“Spigen Rugged Crystal Designed for Samsung Galaxy Note 8 Case (2017)—Crystal Clear”, <https://www.amazon.com/Spigen-Rugged-Crystal-Designed-Samsung/dp/B073RWTZ5M>, Earliest review date of Aug. 30, 2017.

“Spigen Tough Armor [2nd Generation] iPhone 8 Case/iPhone 7 Case with Kickstand and Heavy Duty Protection and Air Cushion Technology for Apple iPhone 8 (2017)/iPhone 7 (2016)—Gunmetal”, <https://www.amazon.com/dp/B07482KVD3>, Earliest review date of Sep. 2, 2017.

“Spigen Rugged Armor Extra Designed for Apple iPhone 7 Case (2016)—Black”, <https://www.amazon.com/Spigen-Rugged-iPhone-Resilient-Absorption/dp/B06XC8WL7P>, Earliest review date of Sep. 7, 2017.

“Spigen Tough Armor [2nd Generation] Designed for Apple Watch Case for 42mm Series 3 / Series 2 / Nike+ Sport Edition—Black”, <https://www.amazon.com/Spigen-Tough-Armor-Generation-Designed/dp/B075FJT3FK>, Earliest review date of Dec. 30, 2017.

“Spigen Tough Armor [2nd Generation] for Apple Watch Case 38mm with Extreme Heavy Duty Protection and No Built in Screen Protector for Apple Watch Series 3 / Series 2 / Nike+ Sport Edition—Matte Black”, <https://www.amazon.com/Spigen-Generation-Extreme-Protection-Protector/dp/B075FL41B5>, Earliest review date of Jan. 6, 2017.

“Spigen Tough Armor Galaxy S9 Plus Case with Reinforced Kickstand and Heavy Duty Protection and Air Cushion Technology for Samsung Galaxy S9 Plus (2018)—Lilac Purple”, <https://www.amazon.com/dp/B078BBPY98>, Earliest review date of Mar. 1, 2018.

(56)

References Cited

OTHER PUBLICATIONS

“Spigen Apple Watch 38mm Slim Armor Case—Space Gray”, <https://www.amazon.com/Spigen-Apple-Watch-38mm-Armor/dp/B076CDNZ4V>, Earliest review date of Mar. 9, 2018.

UNLOCKBOOT, “8 Best AirPods Cases Reviewed—Protective AirPods Covers”, <https://www.unlockboot.com/best-airpods-cases/>, Published on Aug. 22, 2018.

Allison Bowsher, “These AirPod Cases Survive Big Drops—Even in the Water”, <https://spy.com/articles/gadgets/mobile/best-airpods-cases-waterproof-amazon-148420/>, Published on Jan. 2, 2019.

* cited by examiner

FIG. 1

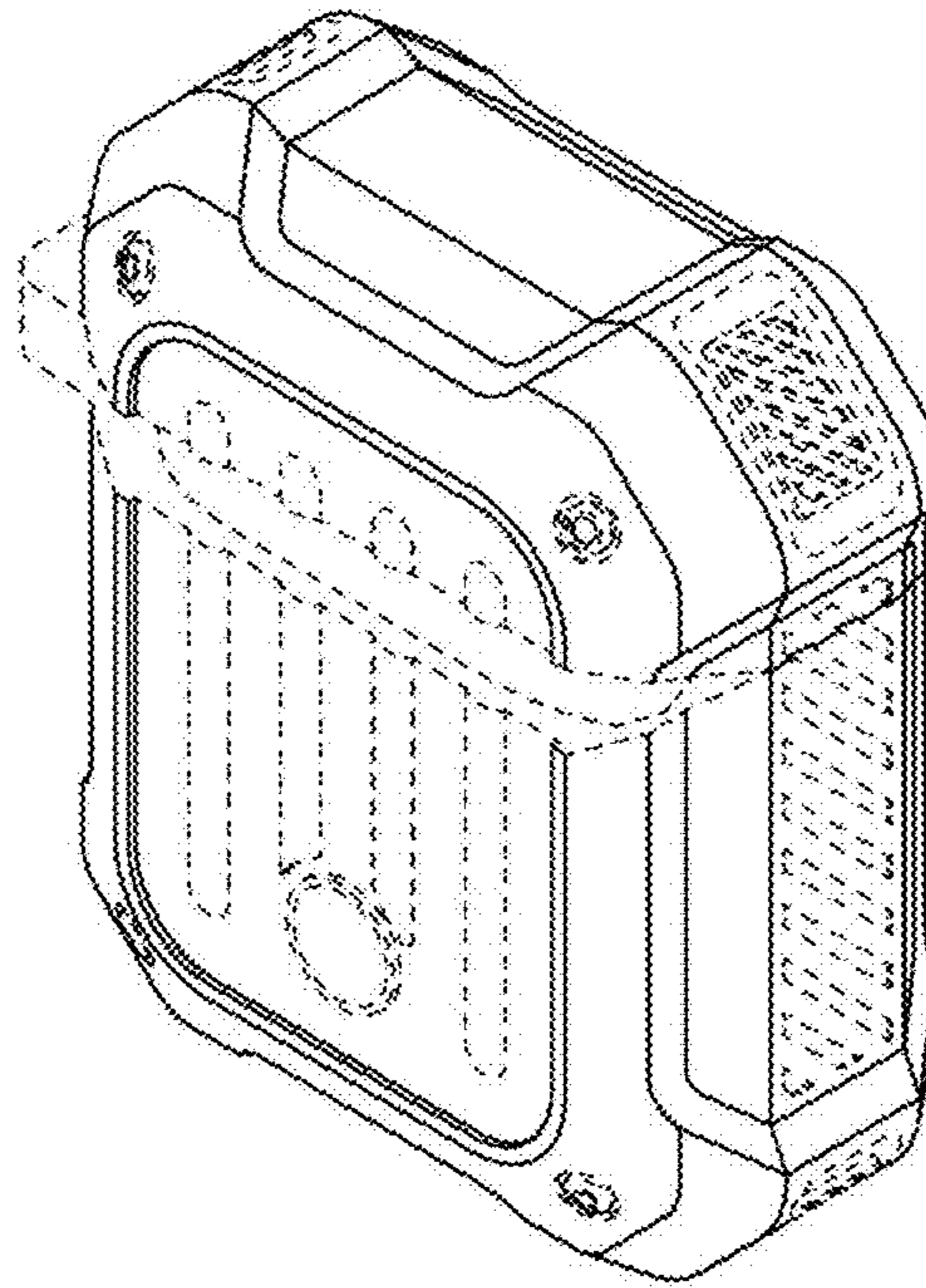


FIG. 2

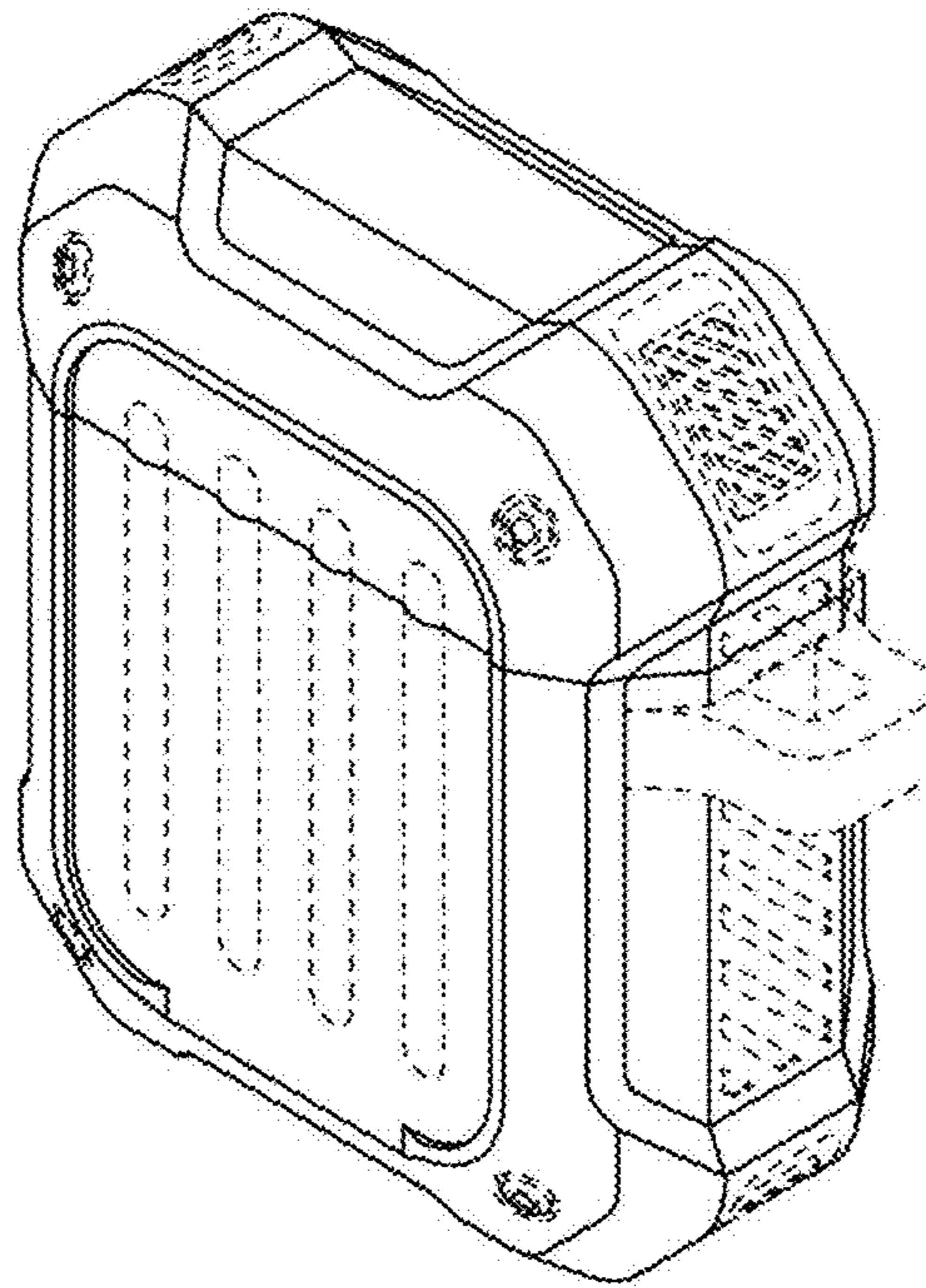


FIG. 3

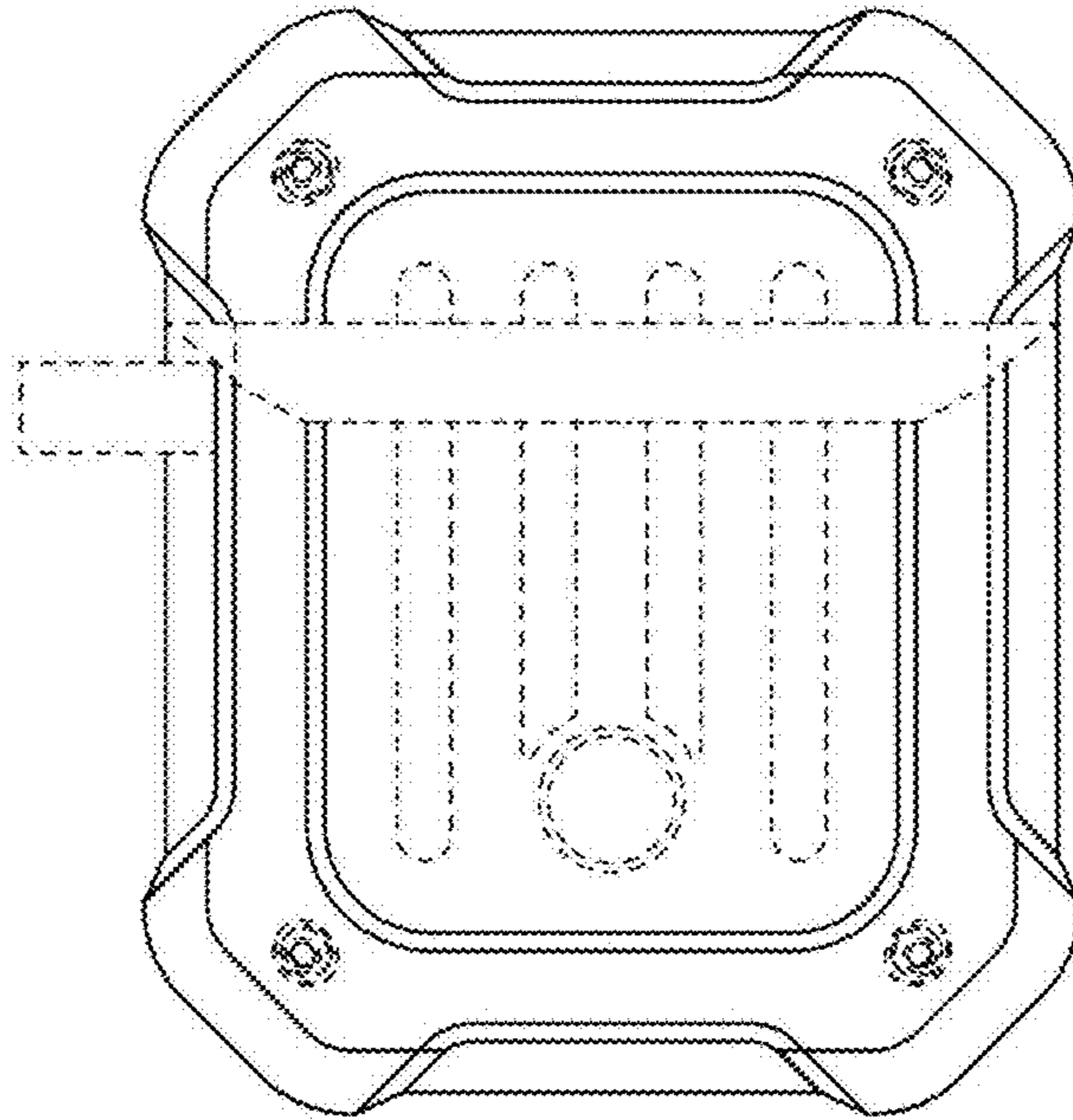


FIG. 4

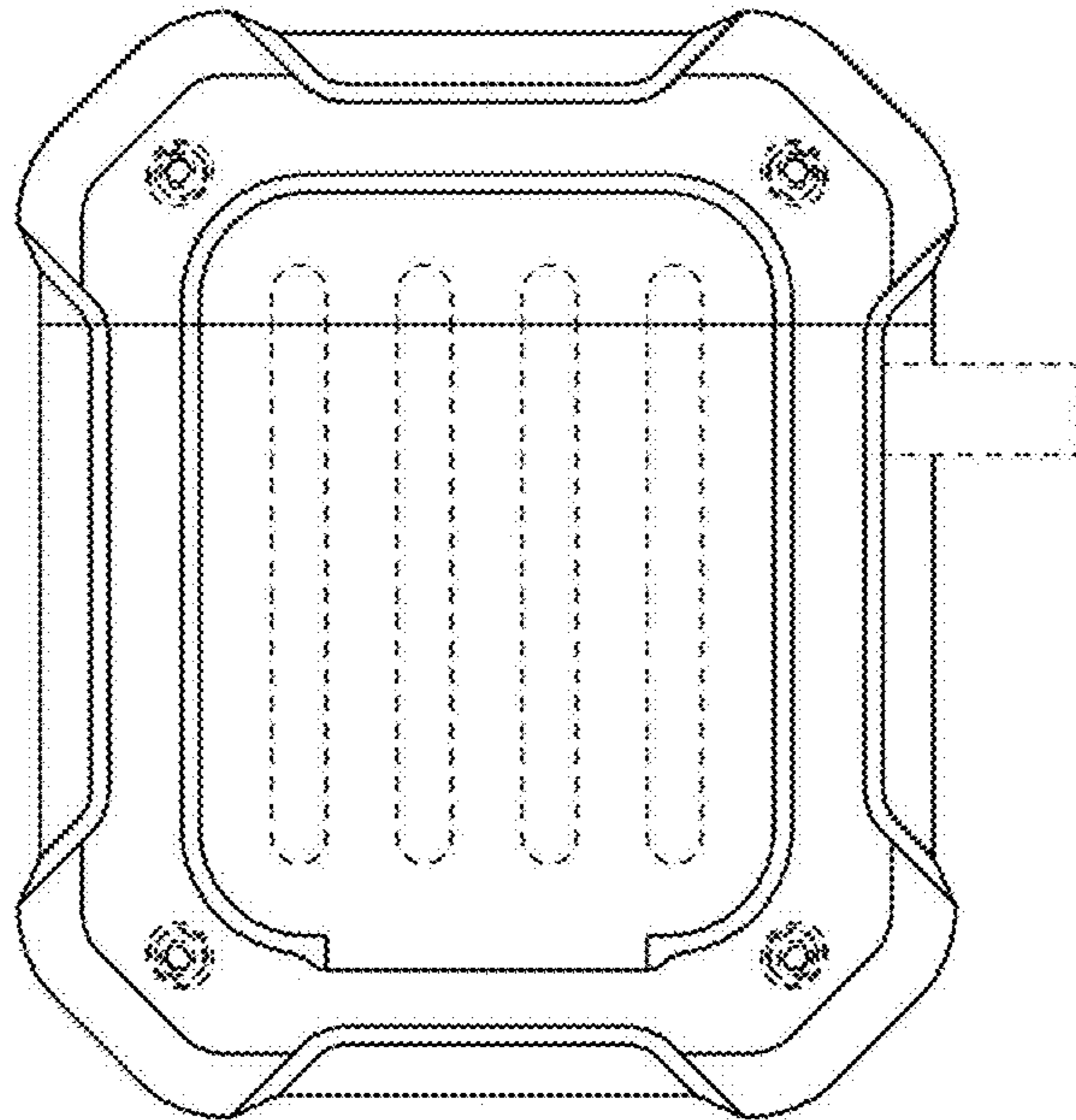


FIG. 5

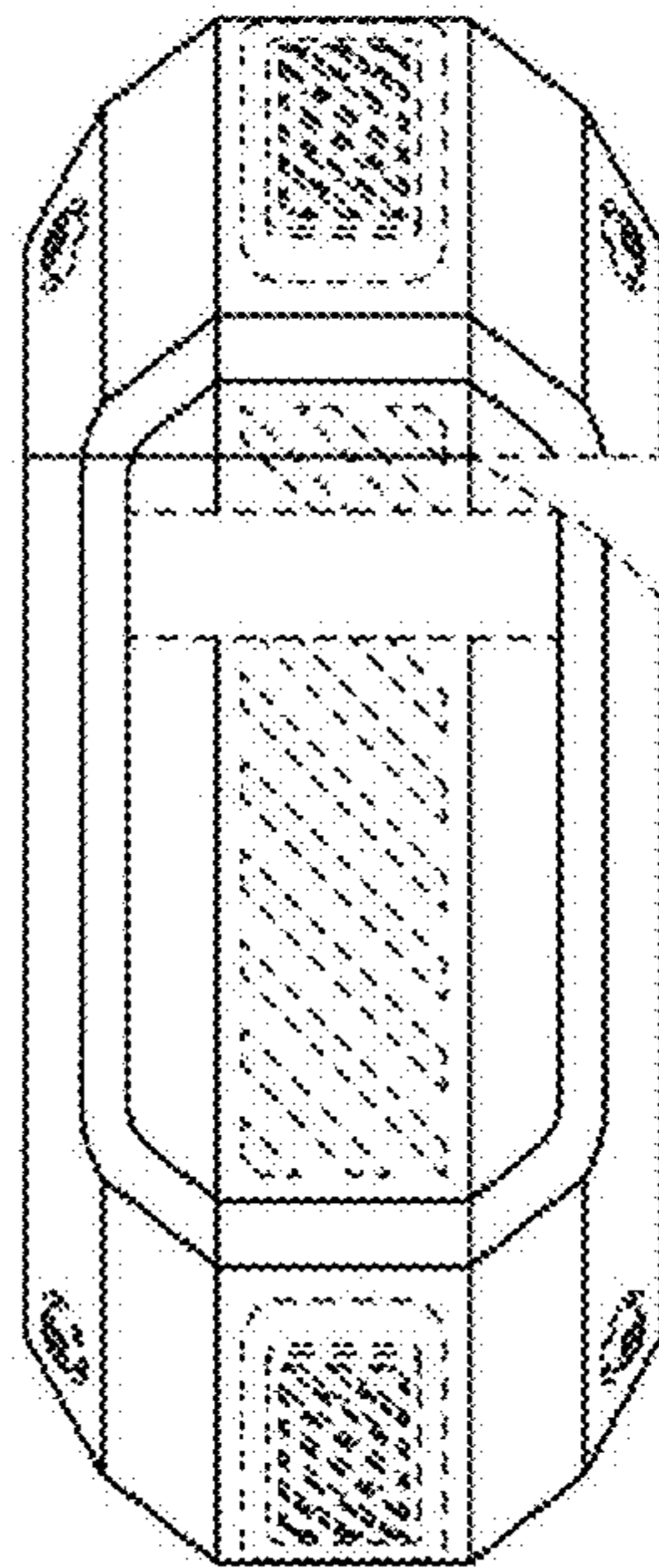


FIG. 6

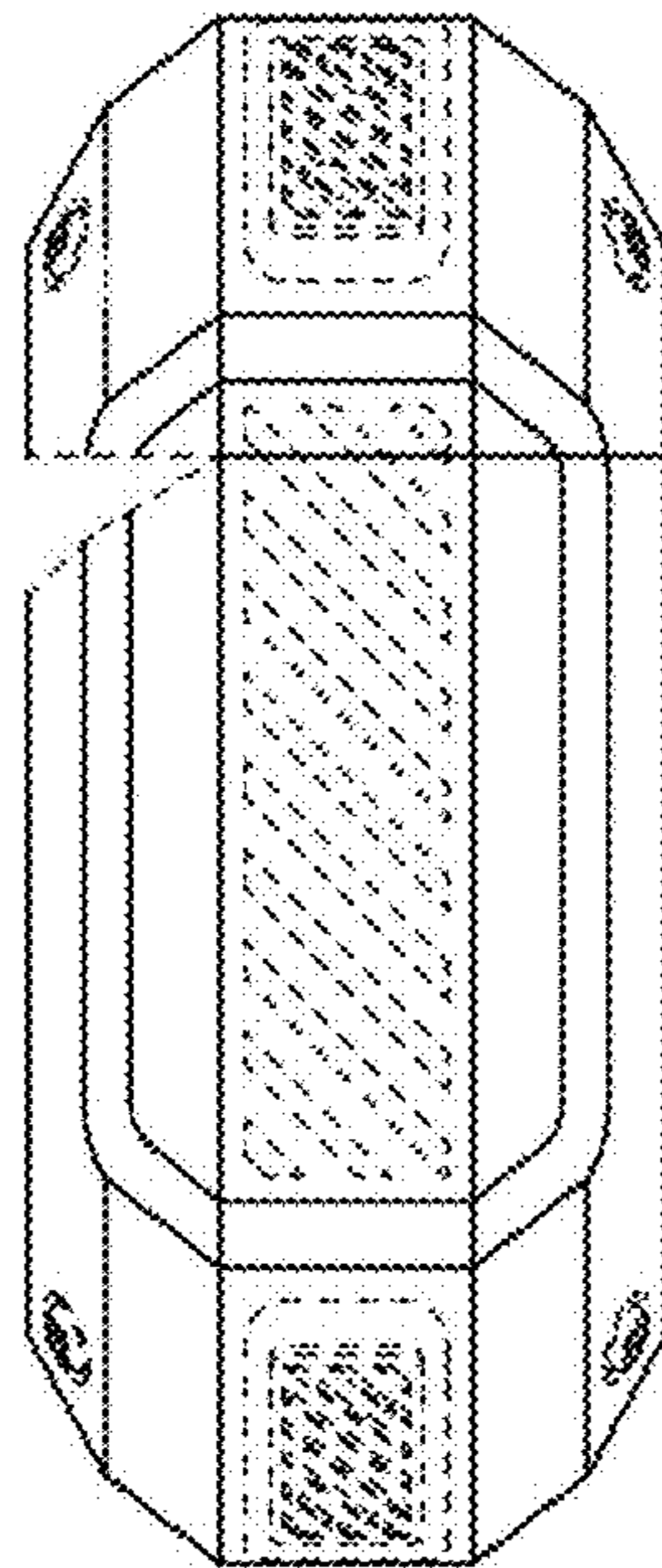


FIG. 7

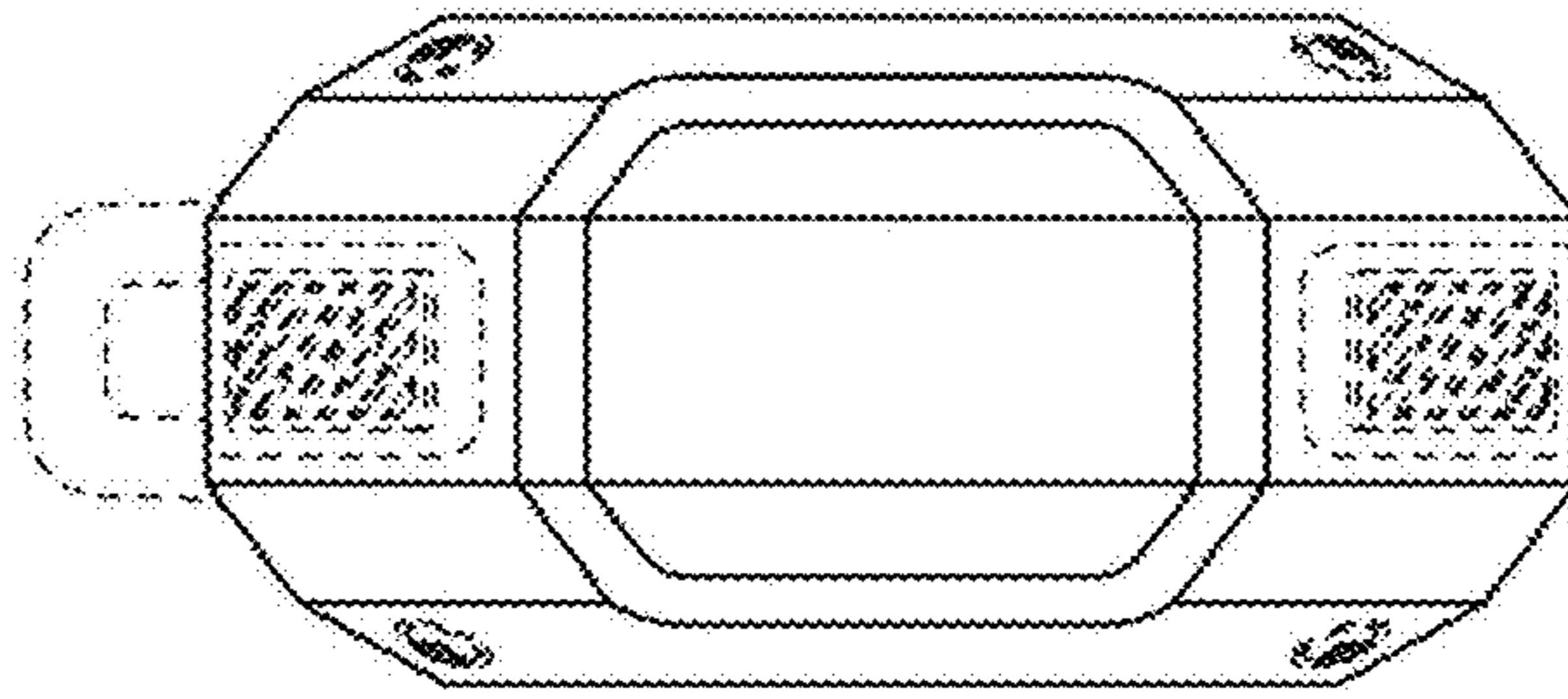


FIG. 8

