



US00D927180S

(12) **United States Design Patent**
Lopez

(10) **Patent No.:** **US D927,180 S**

(45) **Date of Patent:** **** Aug. 10, 2021**

- (54) **GLASSES CASE WITH A CLIP**
- (71) Applicant: **Oscar Lopez**, San Juan, TX (US)
- (72) Inventor: **Oscar Lopez**, San Juan, TX (US)
- (**) Term: **15 Years**
- (21) Appl. No.: **29/700,342**
- (22) Filed: **Aug. 1, 2019**
- (51) **LOC (13) Cl.** **03-01**
- (52) **U.S. Cl.**
USPC **D3/265**
- (58) **Field of Classification Search**
USPC D3/207, 215, 219, 229, 263–266, 301;
D12/417; D16/330, 339; 24/3.3, 3.7,
24/3.8, 563; 206/5, 5.1, 6; 248/902;
351/112, 155
CPC A45C 11/04; A45C 11/005; A47F 7/02;
A47F 7/021
See application file for complete search history.

- D96,588 S * 8/1935 Carson D3/265
 - D96,589 S * 8/1935 Carson D3/265
 - 2,102,218 A * 12/1937 Rakauskas A45F 5/022
24/3.8
 - D110,442 S * 7/1938 Pratt D3/265
 - 2,330,152 A * 9/1943 Spence A45C 11/04
40/651
 - 2,332,266 A * 10/1943 Segal A45C 11/043
206/6
 - D151,477 S * 10/1948 Swikart D3/265
 - 2,634,018 A * 4/1953 Mageau, Jr. A45C 11/06
206/6
 - D175,537 S * 9/1955 Cambridge D3/265
 - D186,135 S * 9/1959 Watkins D3/265
- (Continued)

Primary Examiner — T Chase Nelson
(74) *Attorney, Agent, or Firm* — Boudwin Intellectual Property; Daniel Boudwin

(57) **CLAIM**

The ornamental design for a glasses case with a clip, as shown and described.

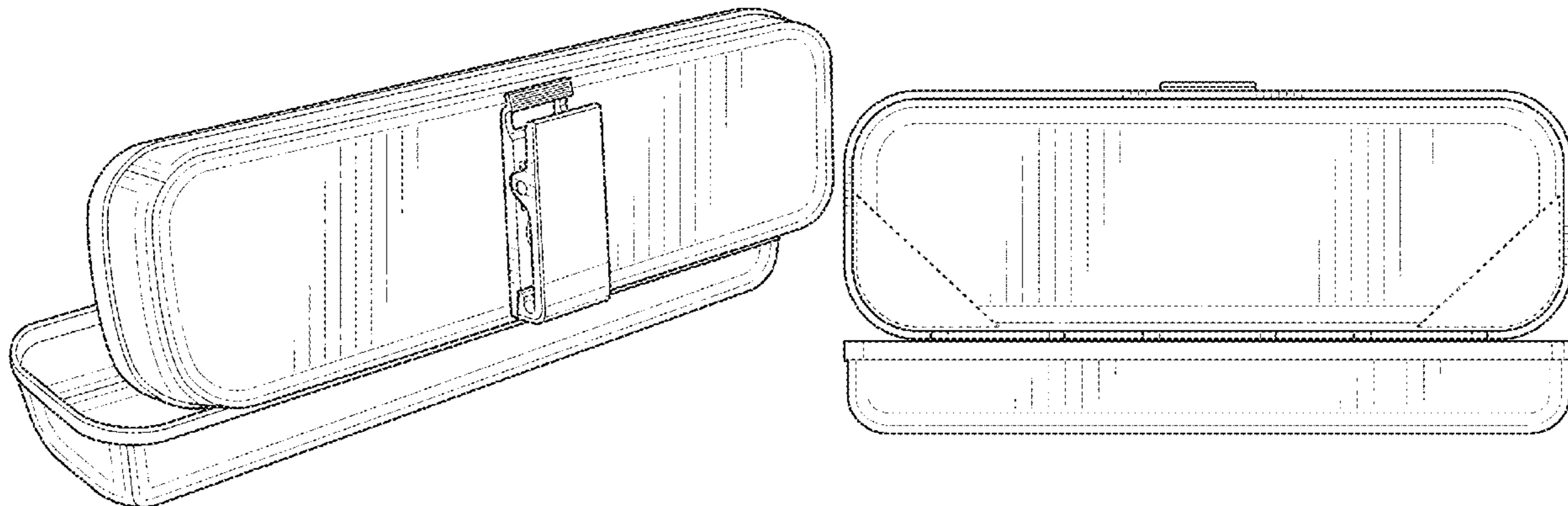
DESCRIPTION

FIG. 1 shows a perspective view of a glasses case with a clip. FIG. 2 shows a rear view of the glasses case with a clip. FIG. 3 shows a front view of the glasses case with a clip. FIG. 4 shows a right side view of the glasses case with a clip. FIG. 5 shows a left side view of the glasses case with a clip. FIG. 6 shows a top plan view of the glasses case with a clip; and, FIG. 7 shows a bottom plan view of the glasses case with a clip. The shade lines in the Figures show contour and not surface ornamentation. The broken lines in the Figures show portions of the glasses case with a clip that form no part of the claimed design.

1 Claim, 4 Drawing Sheets

(56) **References Cited**
U.S. PATENT DOCUMENTS

- D25,638 S * 6/1896 Casey et al. D3/265
- D27,622 S * 9/1897 Zoerb D3/265
- D31,070 S * 6/1899 Zoerb D3/265
- D31,351 S * 8/1899 Guyer D3/265
- 663,647 A * 12/1900 Wells A45C 11/04
206/6
- D34,056 S * 2/1901 Zoerb D3/265
- D49,217 S * 6/1916 King D3/265
- 1,473,359 A * 11/1923 Schumacher A45C 11/04
206/6
- 1,513,776 A * 11/1924 Wells A45C 13/34
206/6
- 1,748,430 A * 2/1930 Stringham A45F 5/022
24/3.8
- D93,249 S * 9/1934 Splaine D3/265



(56)

References Cited

U.S. PATENT DOCUMENTS

3,148,812 A 9/1964 Hilsinger
 D205,421 S * 8/1966 Hueber D3/265
 3,323,638 A * 6/1967 Dishart A45C 11/04
 132/75
 3,977,516 A * 8/1976 Tilve A45C 11/04
 206/5
 3,994,391 A 11/1976 Holland
 D259,596 S * 6/1981 Gray D3/205
 D262,585 S * 1/1982 Anema D3/205
 4,452,354 A 6/1984 Tabachnick
 5,123,525 A * 6/1992 Orłowski A45C 11/04
 206/5
 D349,811 S * 8/1994 Gibb D3/266
 D378,018 S * 2/1997 Ouellette D3/215
 D379,263 S * 5/1997 Sussman D3/264
 D383,602 S * 9/1997 Theodosakis D3/263
 D400,009 S * 10/1998 Conway D3/265
 D401,060 S * 11/1998 Delle Donne D3/264
 D414,036 S * 9/1999 Conway D3/263
 D417,541 S * 12/1999 Conway D3/263
 D418,297 S * 1/2000 Budert D3/286
 6,026,950 A * 2/2000 Wisniewski A45C 11/04
 206/6
 D427,432 S * 7/2000 Au D3/263
 D430,393 S * 9/2000 Conway D3/203.3
 D430,727 S * 9/2000 Wisniewski D3/201
 D432,784 S * 10/2000 Conway D3/203.5
 D439,738 S * 4/2001 McCormack D3/263
 D441,953 S * 5/2001 Ben Moshe D3/263
 6,321,958 B1 11/2001 Erdmann
 D451,674 S * 12/2001 Leins D3/206
 D453,993 S * 3/2002 Diltoer D3/263
 6,415,915 B1 * 7/2002 Grossman A45C 11/04
 206/45.23
 D462,837 S * 9/2002 Lin A45C 11/04
 D3/263
 D472,377 S * 4/2003 Tabacchi A45C 11/04
 D3/263
 D484,693 S * 1/2004 Au D3/265
 D544,205 S * 6/2007 Fai Au D3/265
 D546,060 S * 7/2007 Fai Au D3/265
 D547,548 S * 7/2007 Au D3/265
 D566,389 S * 4/2008 Conway D3/266
 D685,986 S * 7/2013 Lazott D3/215
 D699,945 S * 2/2014 Iacchetti D3/265
 D709,694 S * 7/2014 Cafiero D3/266
 D712,144 S * 9/2014 Albanese D3/301
 D716,549 S * 11/2014 Porter A45C 11/04
 D3/266
 8,881,893 B1 * 11/2014 Cheng A45C 11/04
 206/6
 D731,178 S * 6/2015 Gorouvein A45C 11/34
 D3/265

D740,018 S * 10/2015 Zhang A45C 11/043
 D3/201
 D771,371 S * 11/2016 Taylor A45C 11/04
 D3/215
 D785,936 S * 5/2017 Uche A45C 11/04
 D3/266
 D794,329 S * 8/2017 Knox A45C 11/04
 D3/266
 D809,292 S * 2/2018 Mason A45C 11/043
 D3/265
 D810,431 S * 2/2018 Kim A45C 11/06
 D3/266
 D814,186 S * 4/2018 Spiegel A45C 11/04
 D3/265
 D822,996 S * 7/2018 Ehara A45C 11/04
 D3/301
 D829,001 S * 9/2018 Kubal H02J 7/0045
 D3/265
 D857,391 S * 8/2019 Coleman A45C 11/04
 D3/301
 D877,505 S * 3/2020 Hanover F16B 21/086
 D3/265
 2001/0004053 A1 * 6/2001 Taormina A45C 11/043
 206/6
 2002/0096439 A1 * 7/2002 Lin A45C 11/34
 206/6
 2003/0173234 A1 * 9/2003 Lin A45C 11/04
 206/5
 2003/0178324 A1 * 9/2003 Watson A45C 11/04
 206/6
 2005/0146676 A1 7/2005 Silvestro
 2005/0194267 A1 * 9/2005 Lam A45C 11/24
 206/5
 2006/0164595 A1 * 7/2006 Karasik B60R 7/05
 351/158
 2008/0083627 A1 * 4/2008 Hamm A45C 11/04
 206/6
 2009/0045079 A1 * 2/2009 Au B65D 43/20
 206/5
 2009/0089984 A1 4/2009 Warren et al.
 2010/0096280 A1 * 4/2010 Breitt A45C 11/04
 206/6
 2010/0294675 A1 * 11/2010 Mangano A45C 11/04
 206/5
 2012/0144629 A1 * 6/2012 Wang F16B 21/086
 24/459
 2014/0361132 A1 * 12/2014 Busby A45C 11/04
 248/213.2
 2016/0021999 A1 * 1/2016 Harada A45C 11/04
 206/5
 2016/0166027 A1 * 6/2016 Godart A45C 13/007
 224/576
 2020/0383441 A1 * 12/2020 Kan H02J 7/0045

* cited by examiner

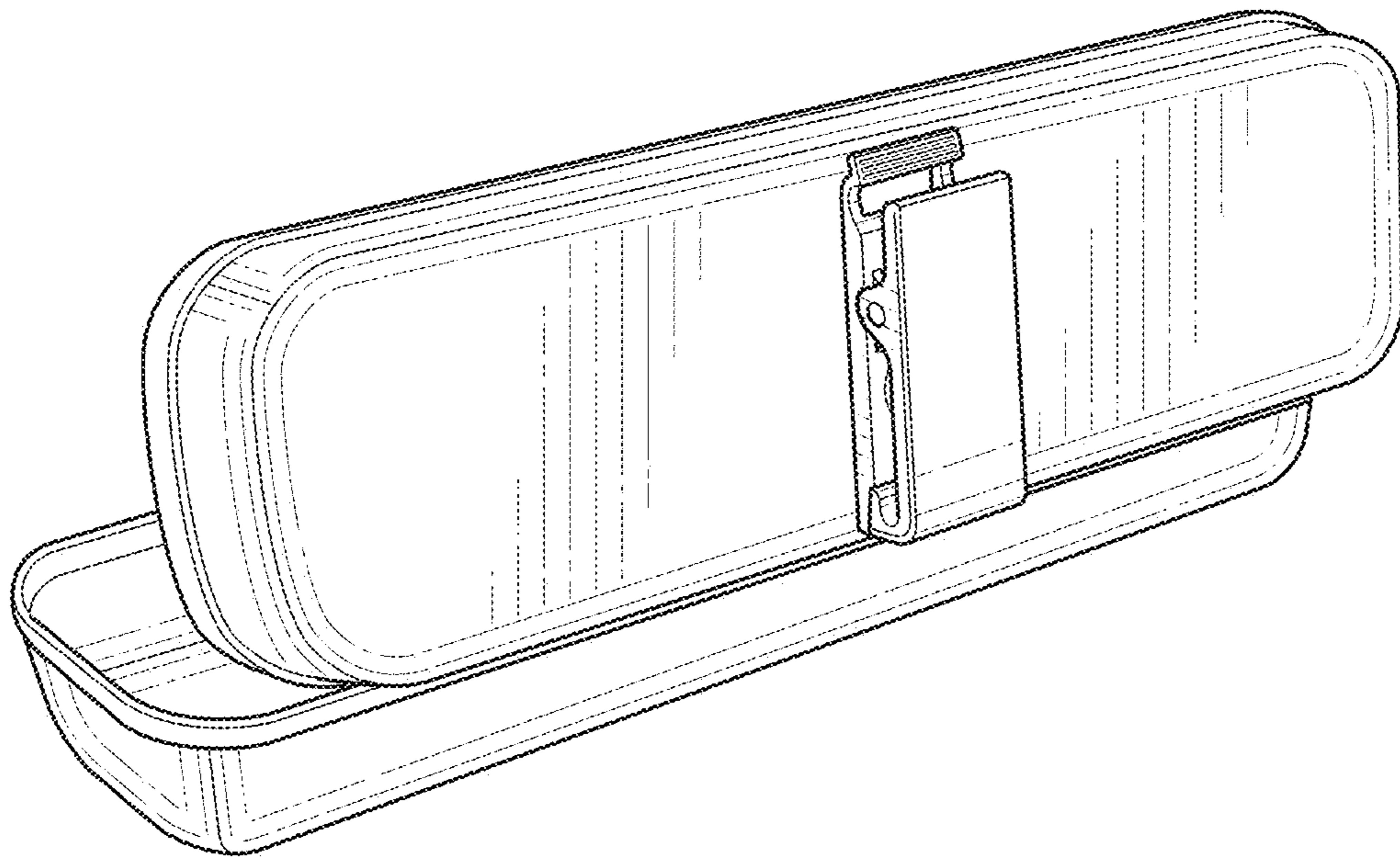


FIG. 1

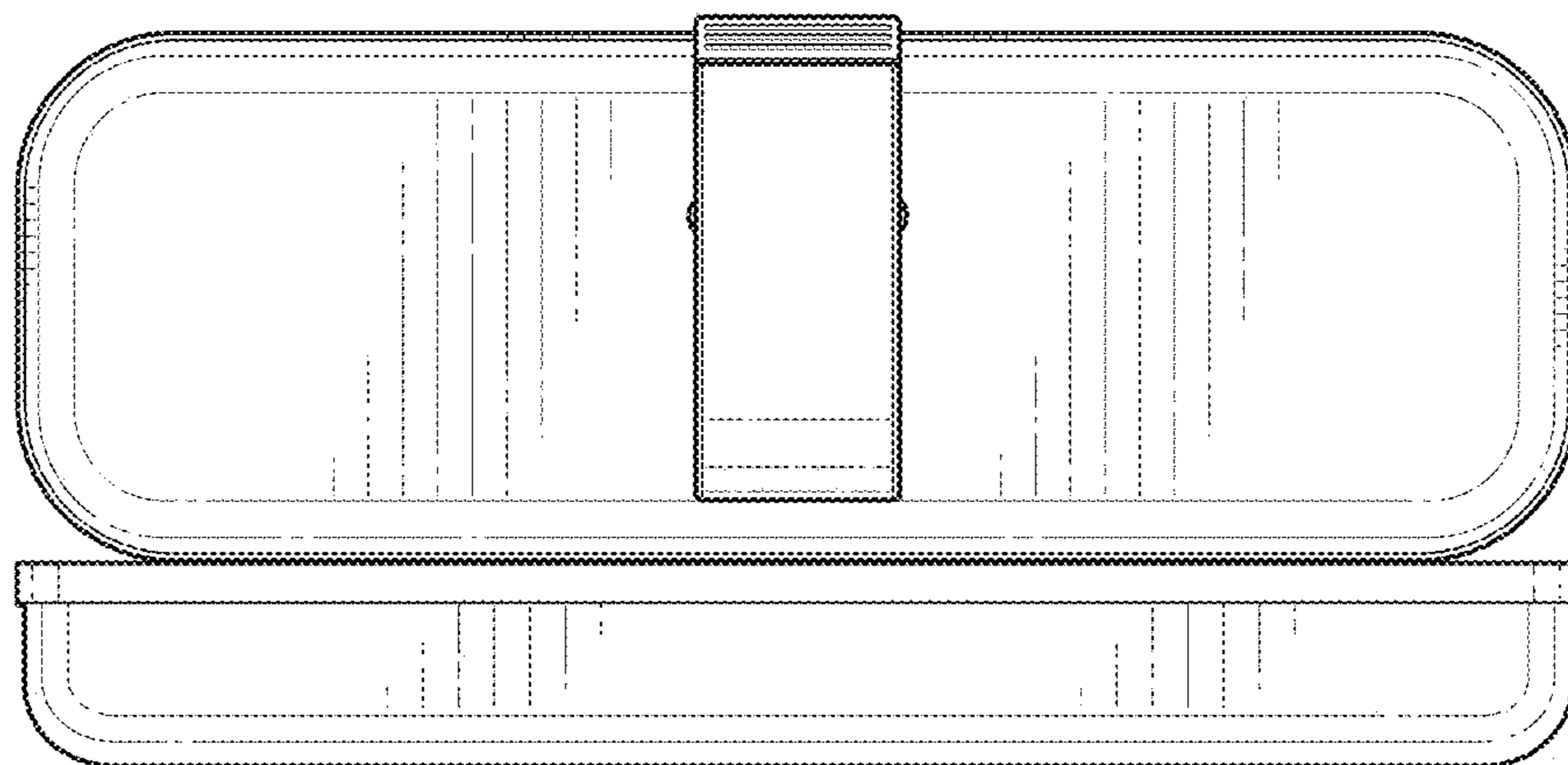


FIG. 2

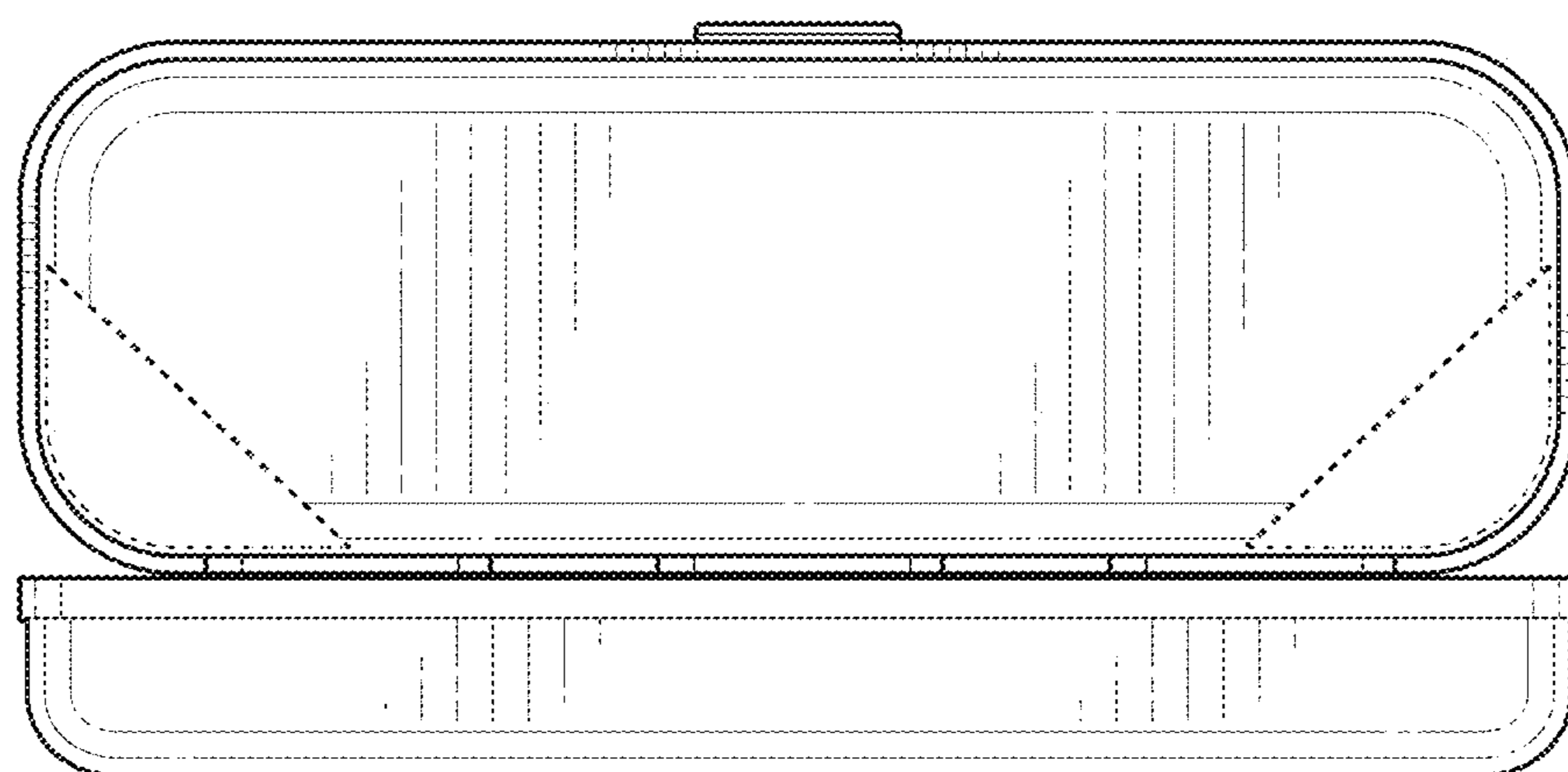


FIG. 3

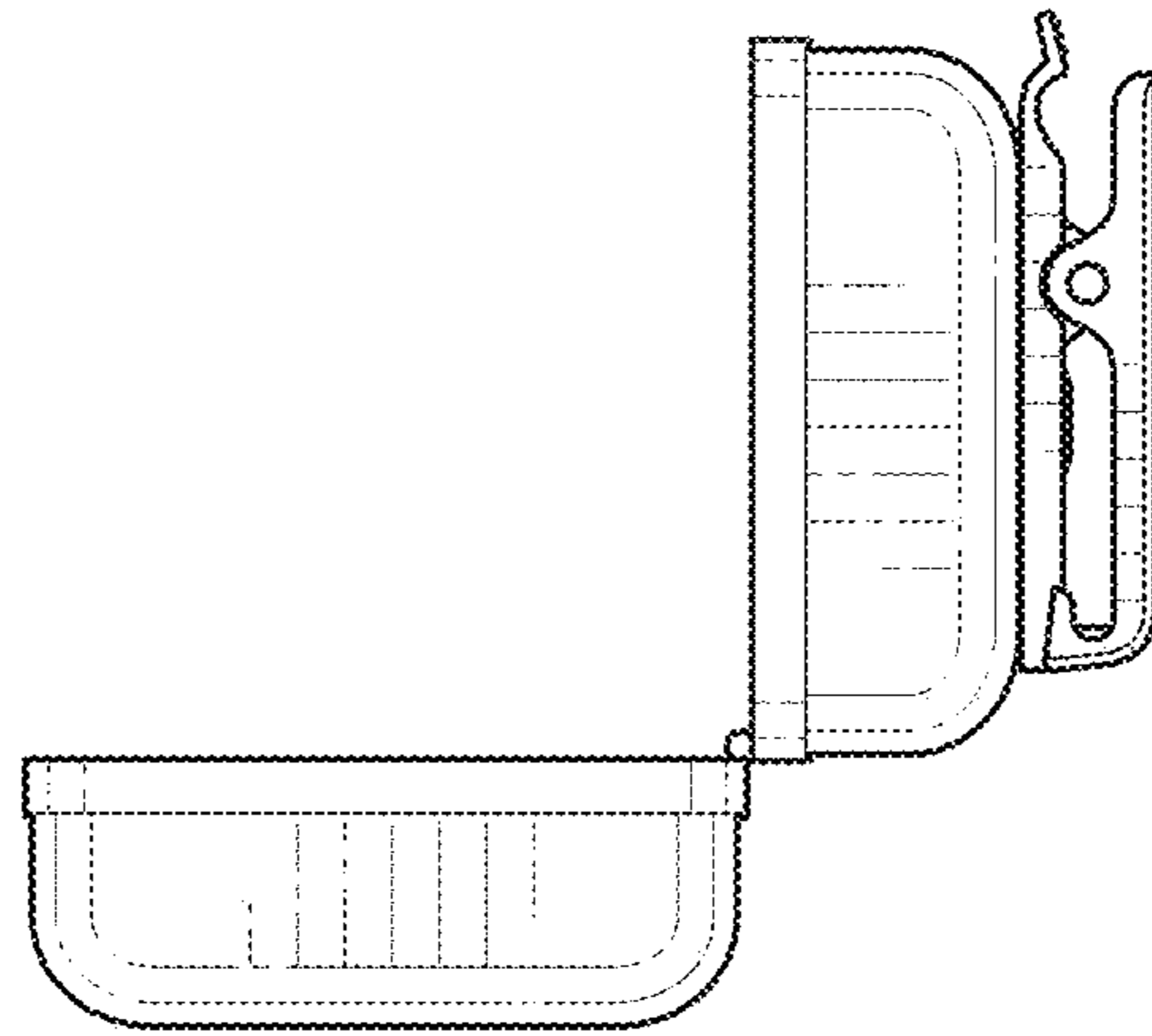


FIG. 4

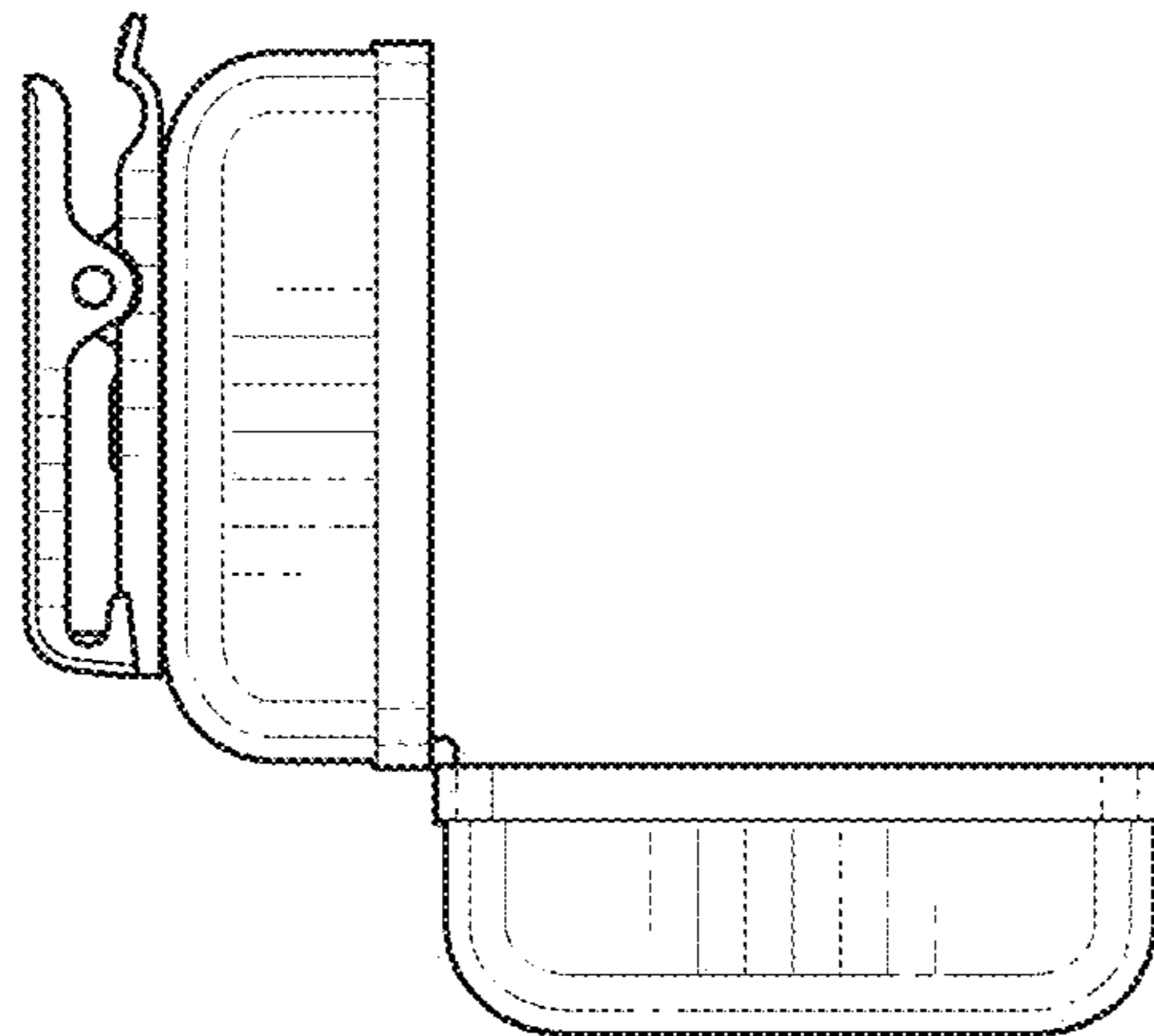


FIG. 5

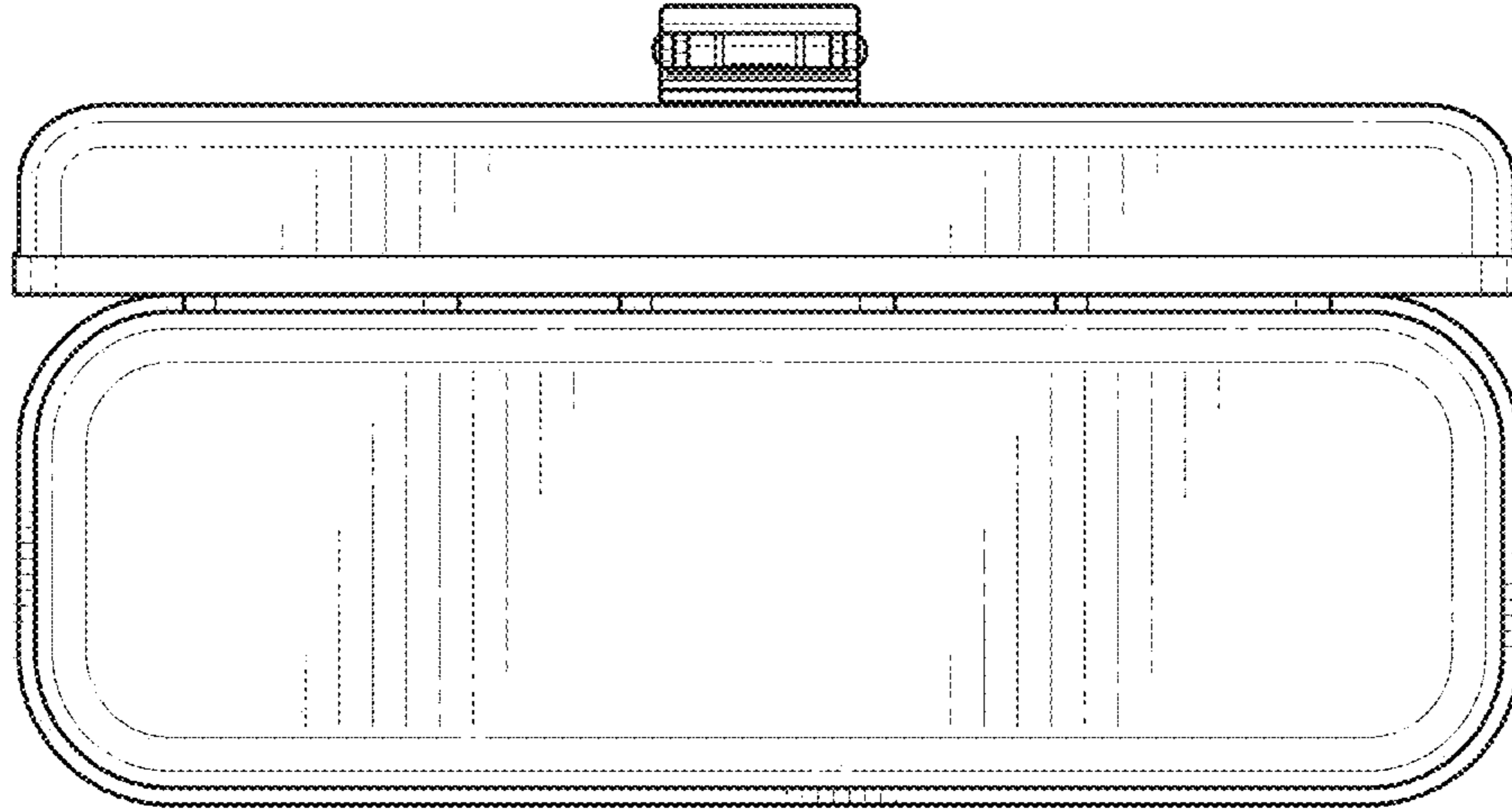


FIG. 6

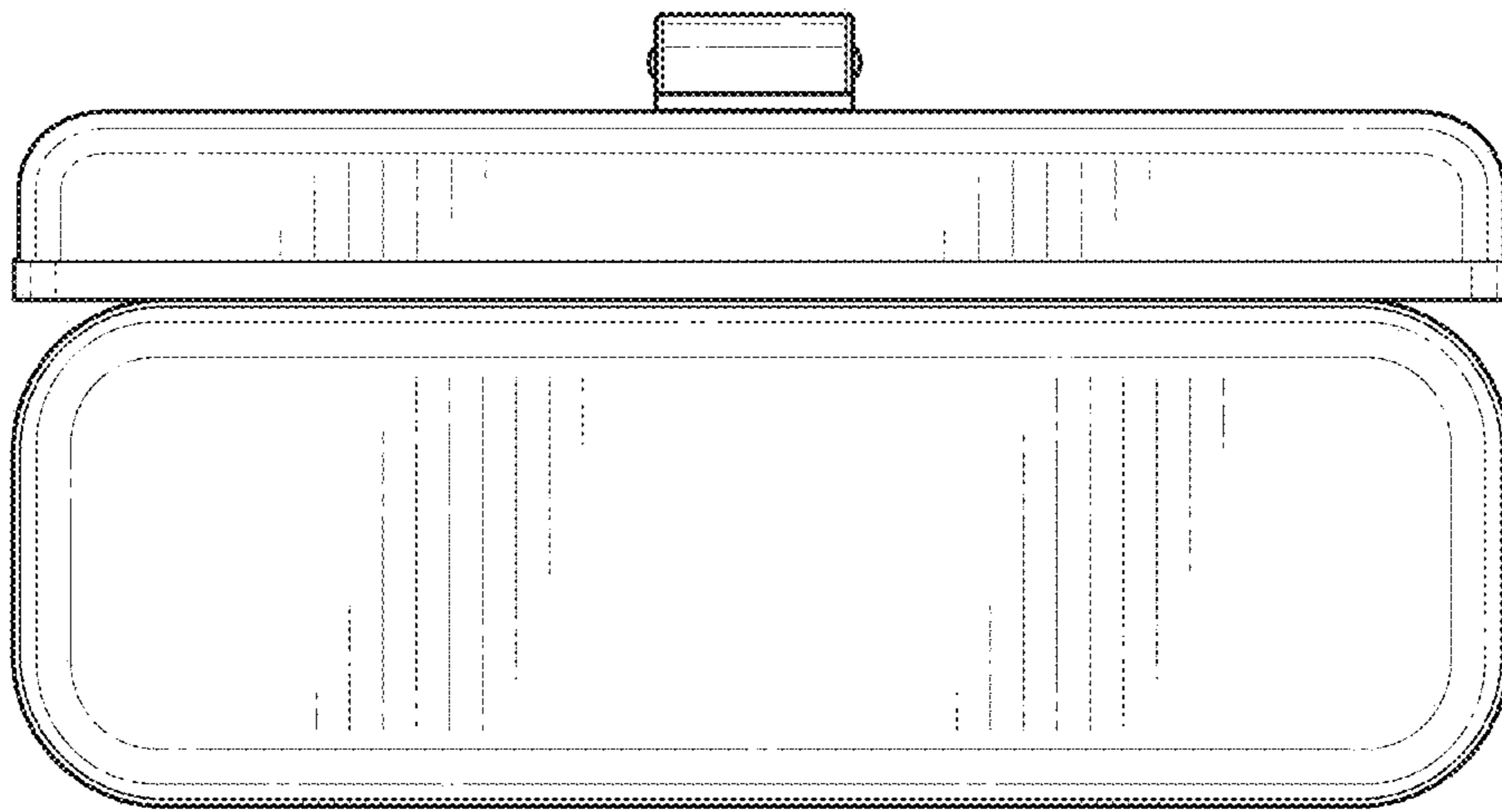


FIG. 7