



US00D927179S

(12) **United States Design Patent**
Zhou

(10) **Patent No.:** **US D927,179 S**

(45) **Date of Patent:** **** Aug. 10, 2021**

(54) **WALLET**

(71) Applicant: **Cuiping Zhou**, Shanwei (CN)

(72) Inventor: **Cuiping Zhou**, Shanwei (CN)

(**) Term: **15 Years**

(21) Appl. No.: **29/701,386**

(22) Filed: **Aug. 12, 2019**

(51) **LOC (13) Cl.** **03-01**

(52) **U.S. Cl.**
USPC **D3/247**

(58) **Field of Classification Search**

USPC D3/247, 249–253

CPC A45C 1/06; A45C 11/00; A45C 13/002;

A45C 13/005; A45C 13/10; A45C 13/30;

A45C 2011/002

See application file for complete search history.

(56) **References Cited**

U.S. PATENT DOCUMENTS

D202,756 S * 11/1965 Schlessinger D3/249

D482,162 S * 11/2003 Bostroem D28/77

D698,148 S * 1/2014 Sassi D3/247

D794,952 S * 8/2017 Feng D3/247

D802,916 S * 11/2017 Koutsolioutsos D3/232

D803,558 S * 11/2017 Liu D3/247

D804,815 S * 12/2017 Chen D3/247

D854,318 S * 7/2019 Rahardjo D3/243

D858,984 S * 9/2019 Zucco D3/247

D866,179 S * 11/2019 Zhao D3/249

* cited by examiner

Primary Examiner — Holly H Baynham

(74) *Attorney, Agent, or Firm* — KA Filing LLC; Wayne Harper; Cynthia Flanigan

(57) **CLAIM**

I claim the ornamental design for a wallet, as shown and described.

DESCRIPTION

FIG. 1 is a Perspective view of a wallet showing my new design;

FIG. 2 is a Front view of the wallet as shown in FIG. 1;

FIG. 3 is a Back view of the wallet as shown in FIG. 1;

FIG. 4 is a Left-side view of the wallet as shown in FIG. 1;

FIG. 5 is a Right-side view of the wallet as shown in FIG. 1;

1;

FIG. 6 is a Top view of the wallet as shown in FIG. 1;

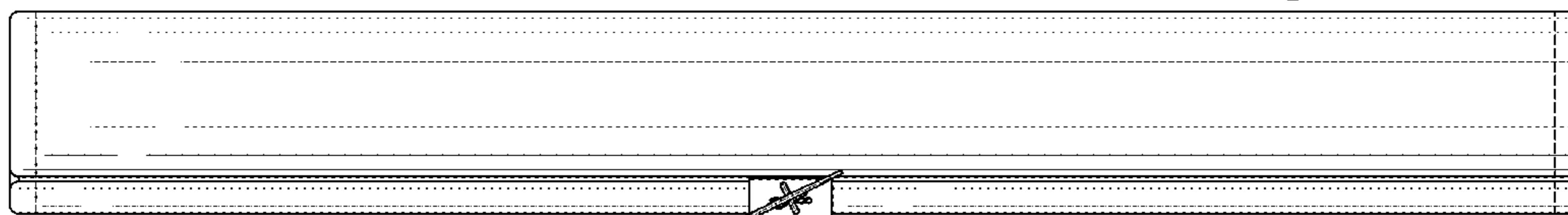
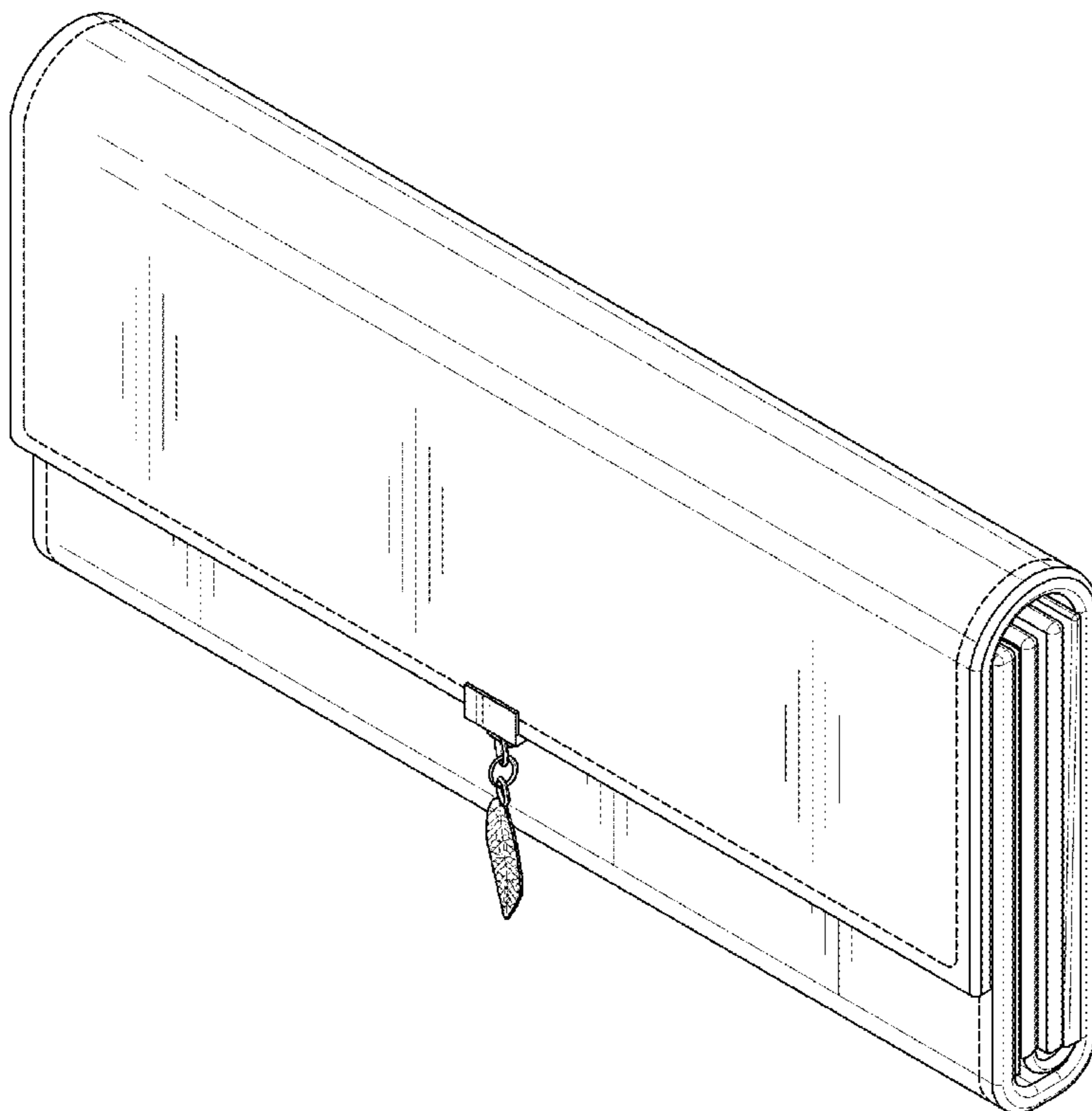
FIG. 7 is a Bottom view of the wallet as shown in FIG. 1;

and,

FIG. 8 is open view of the wallet as shown in FIG. 1.

The broken lines representing stitching are part of the claimed design.

1 Claim, 8 Drawing Sheets



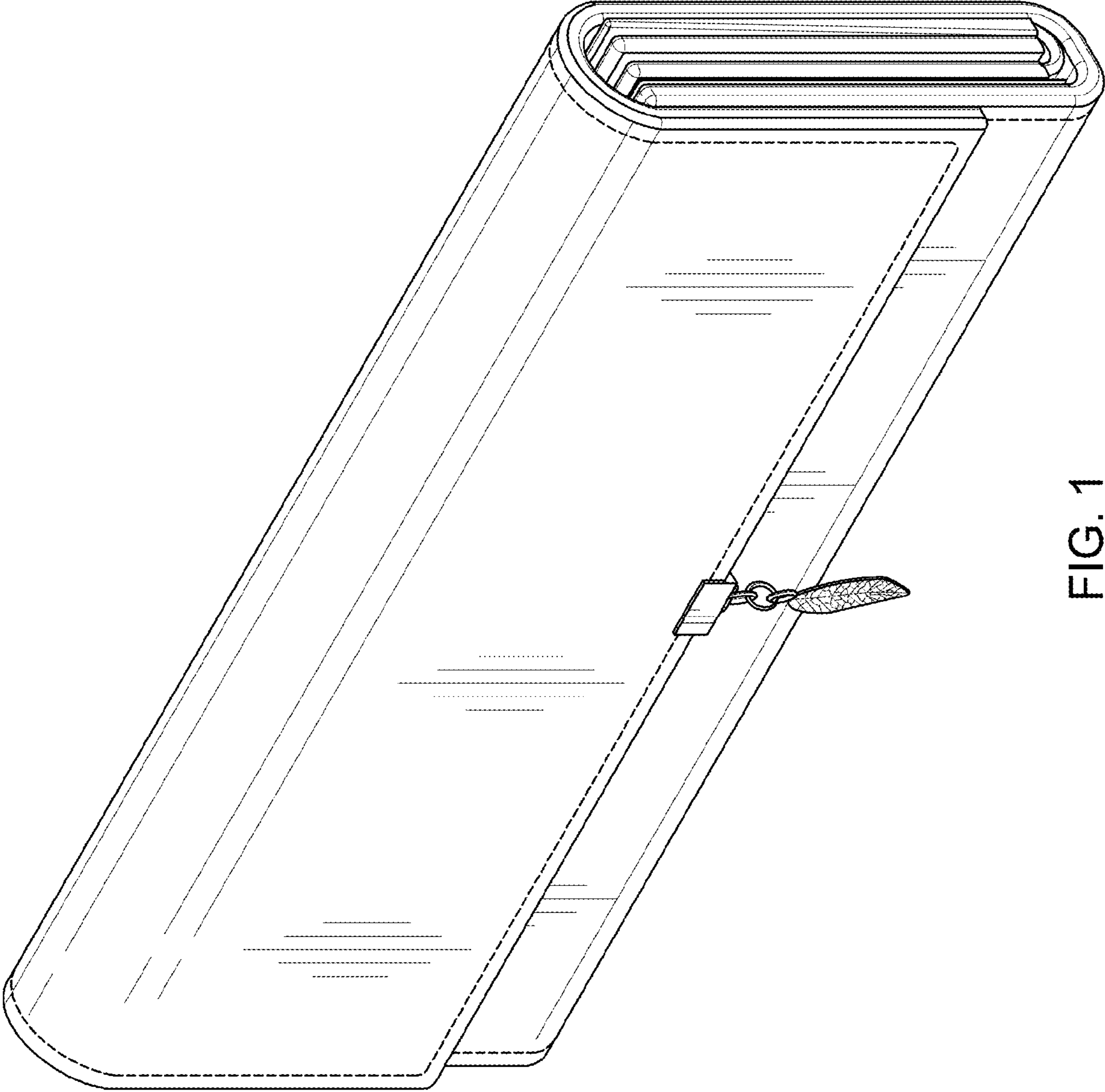


FIG. 1

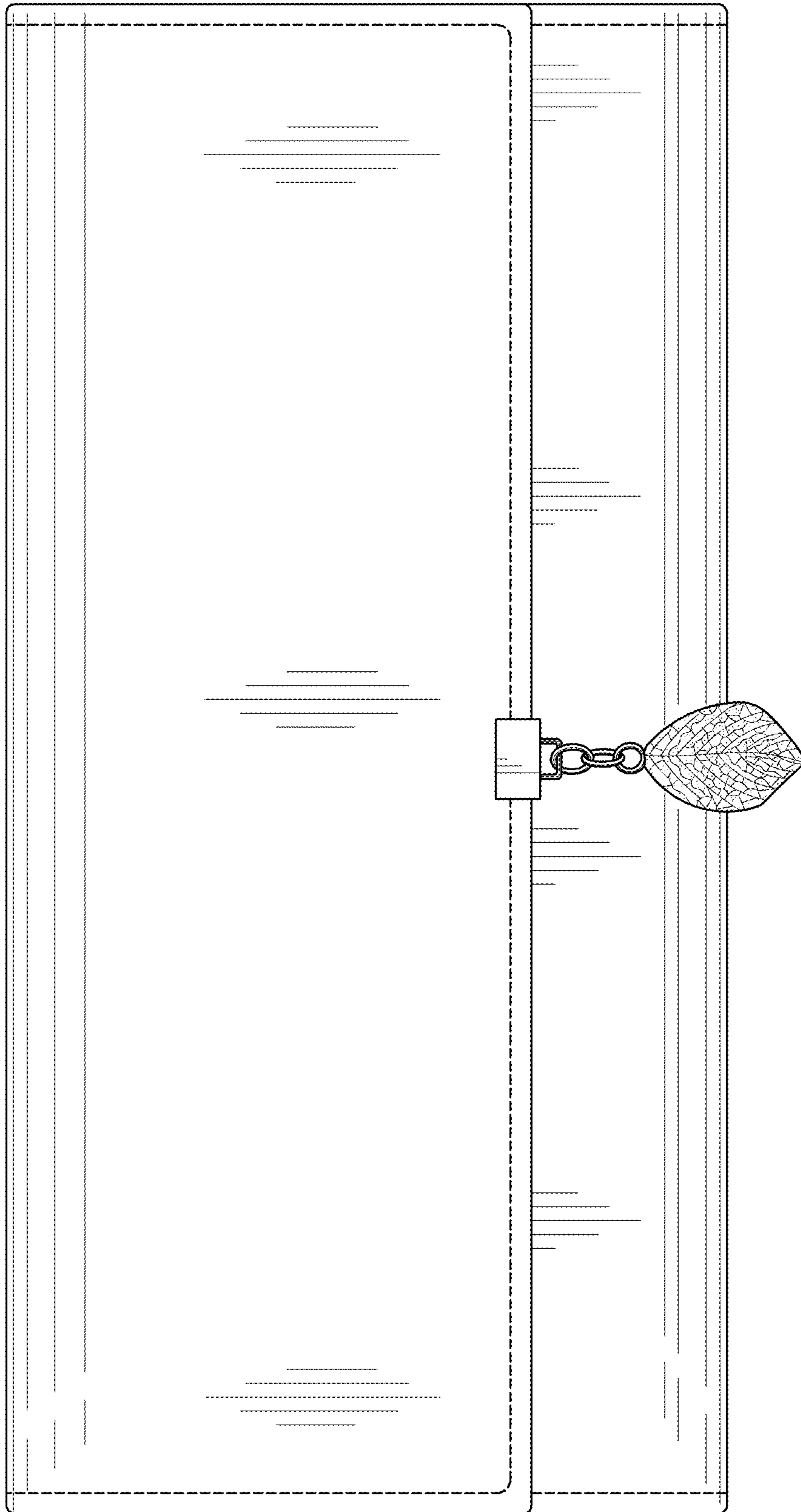


FIG. 2

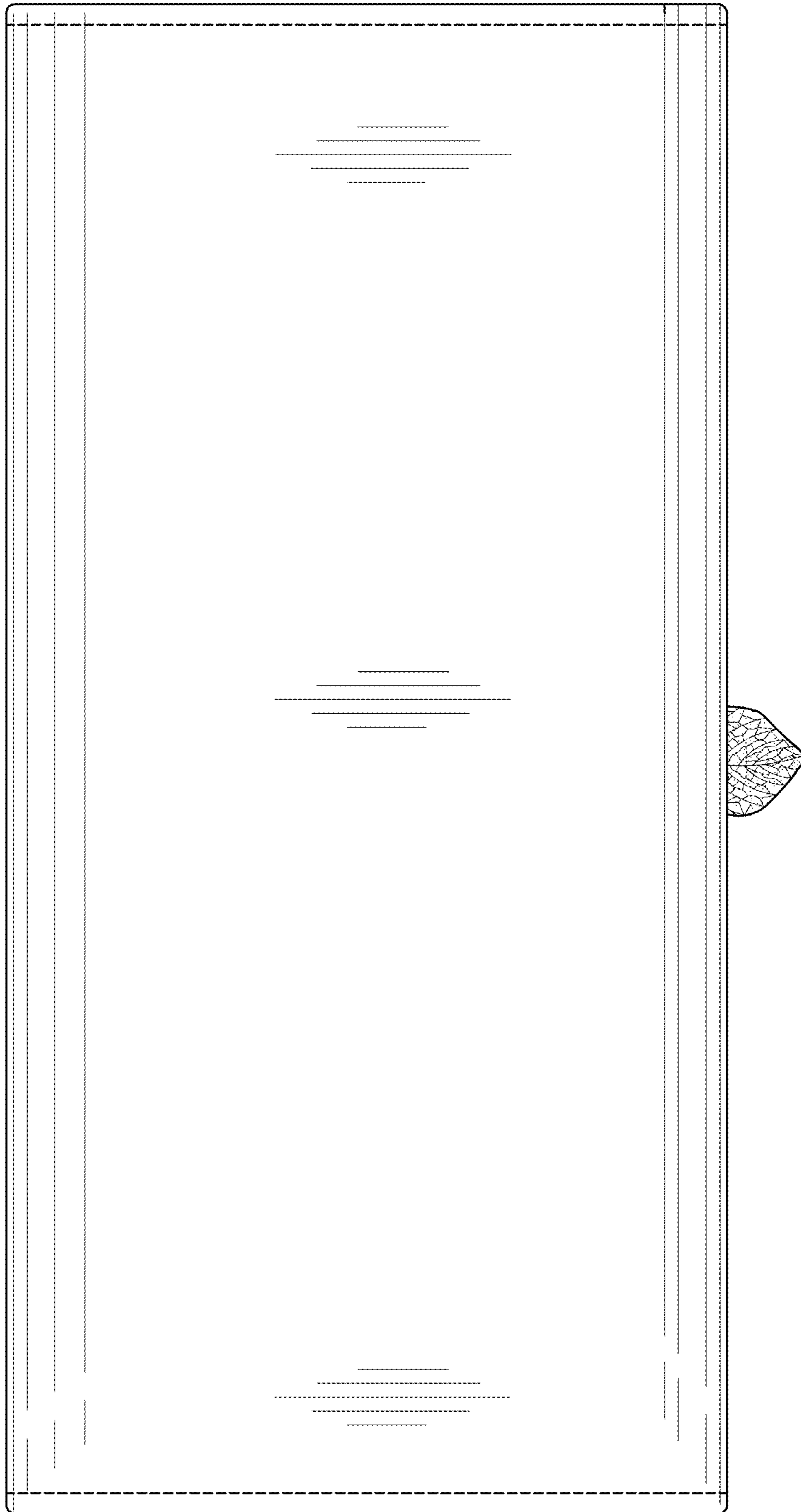


FIG. 3

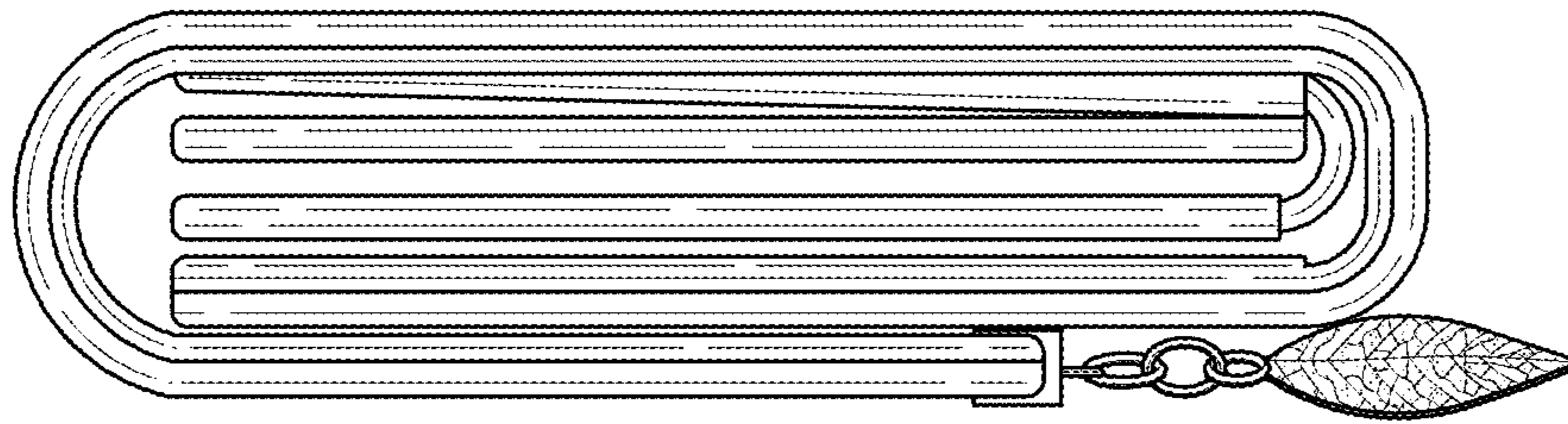


FIG. 4



FIG. 5

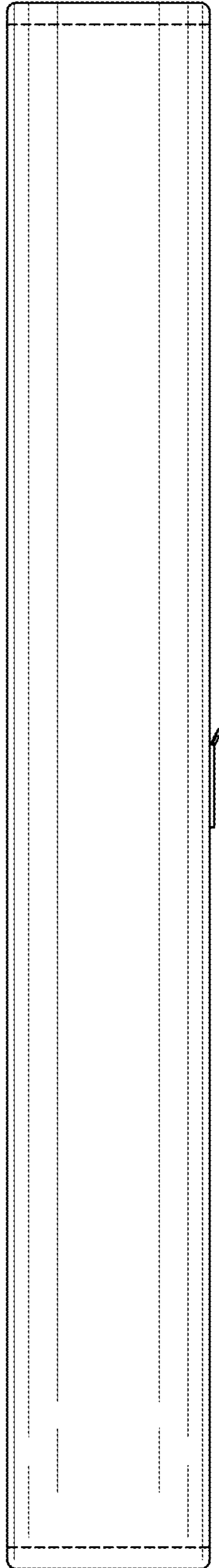


FIG. 6

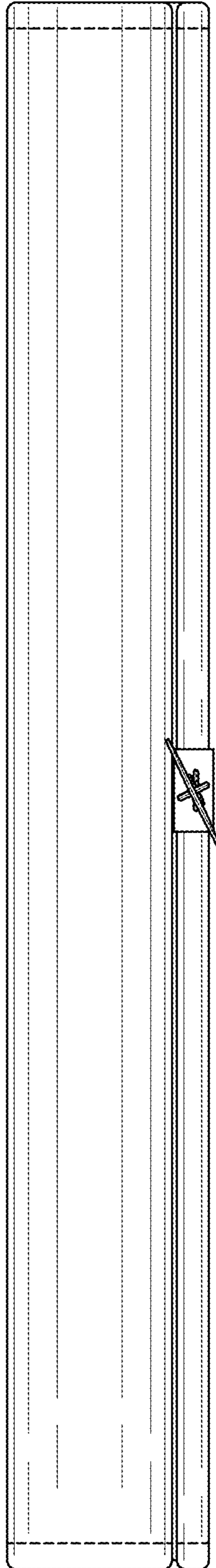


FIG. 7

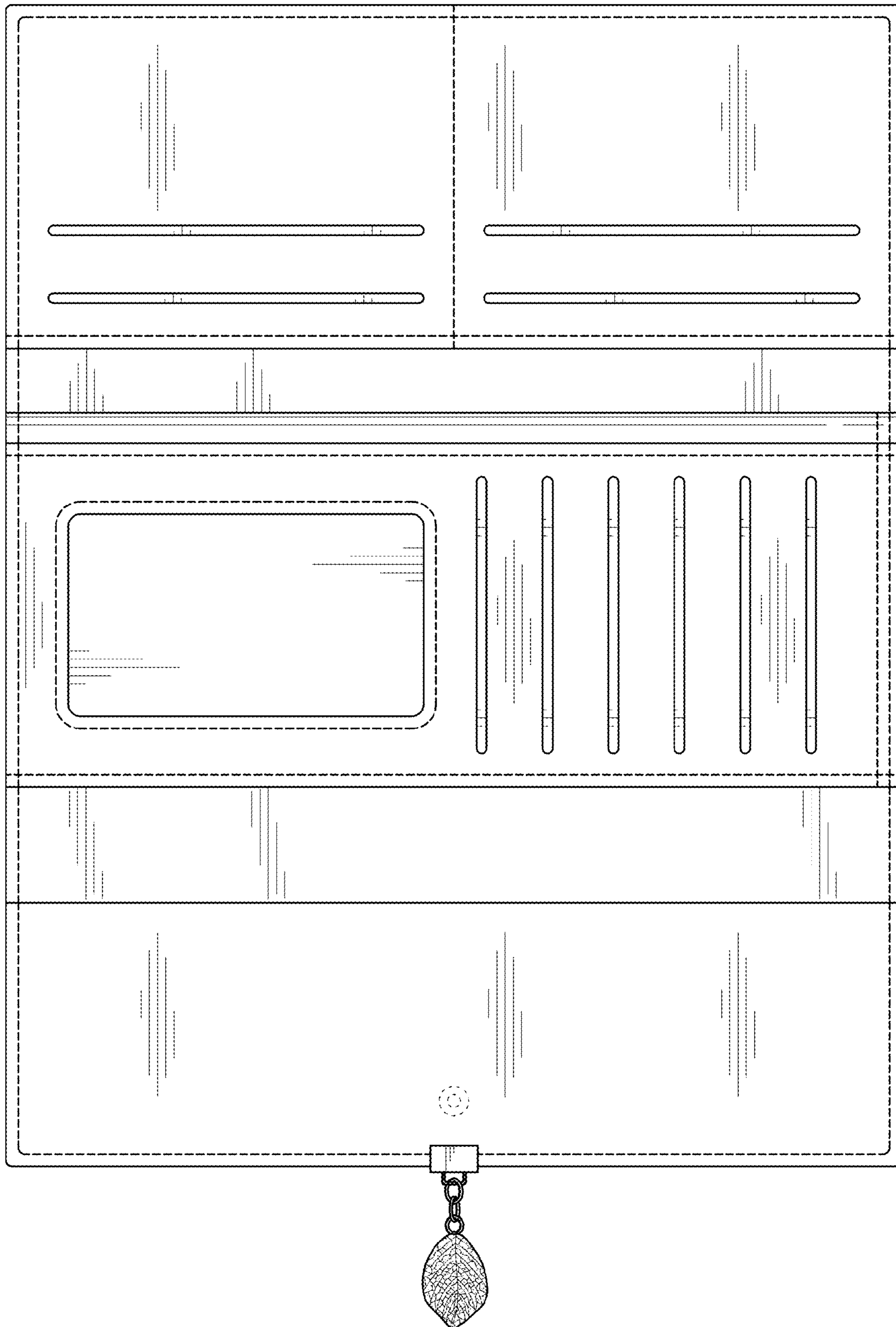


FIG. 8