



US00D927175S

(12) **United States Design Patent**
Wang

(10) **Patent No.:** **US D927,175 S**

(45) **Date of Patent:** **** Aug. 10, 2021**

(54) **BACKPACK**

D446,009 S * 8/2001 Mandell D3/216
D847,494 S * 5/2019 Tang D3/217

(71) Applicant: **Ruilian Wang**, Zhejiang Province (CN)

* cited by examiner

(72) Inventor: **Ruilian Wang**, Zhejiang Province (CN)

Primary Examiner — Jennifer L Watkins

(**) Term: **15 Years**

(74) *Attorney, Agent, or Firm* — Bay State IP, LLC

(21) Appl. No.: **29/704,615**

(22) Filed: **Sep. 5, 2019**

(57) **CLAIM**

(51) **LOC (13) Cl.** **03-01**

The ornamental design for a backpack, as shown and described.

(52) **U.S. Cl.**

USPC **D3/217**

(58) **Field of Classification Search**

USPC D3/216, 217

CPC A45F 3/04; A45F 2003/003; A45F 4/02;
A45F 5/021; Y10S 224/92; Y10S 16/40;
Y10S 224/922; Y10S 383/907; A01K
97/06; A45C 11/20; A45C 5/06; A45C
11/02; A45C 13/02; A45C 13/08; A45C
3/00; A45C 7/0063

See application file for complete search history.

DESCRIPTION

FIG. 1 is a perspective view showing my new design;

FIG. 2 is a front view thereof;

FIG. 3 is a back view thereof;

FIG. 4 is a top view thereof;

FIG. 5 is a bottom view thereof;

FIG. 6 is a left side view thereof; and,

FIG. 7 is a right side view thereof.

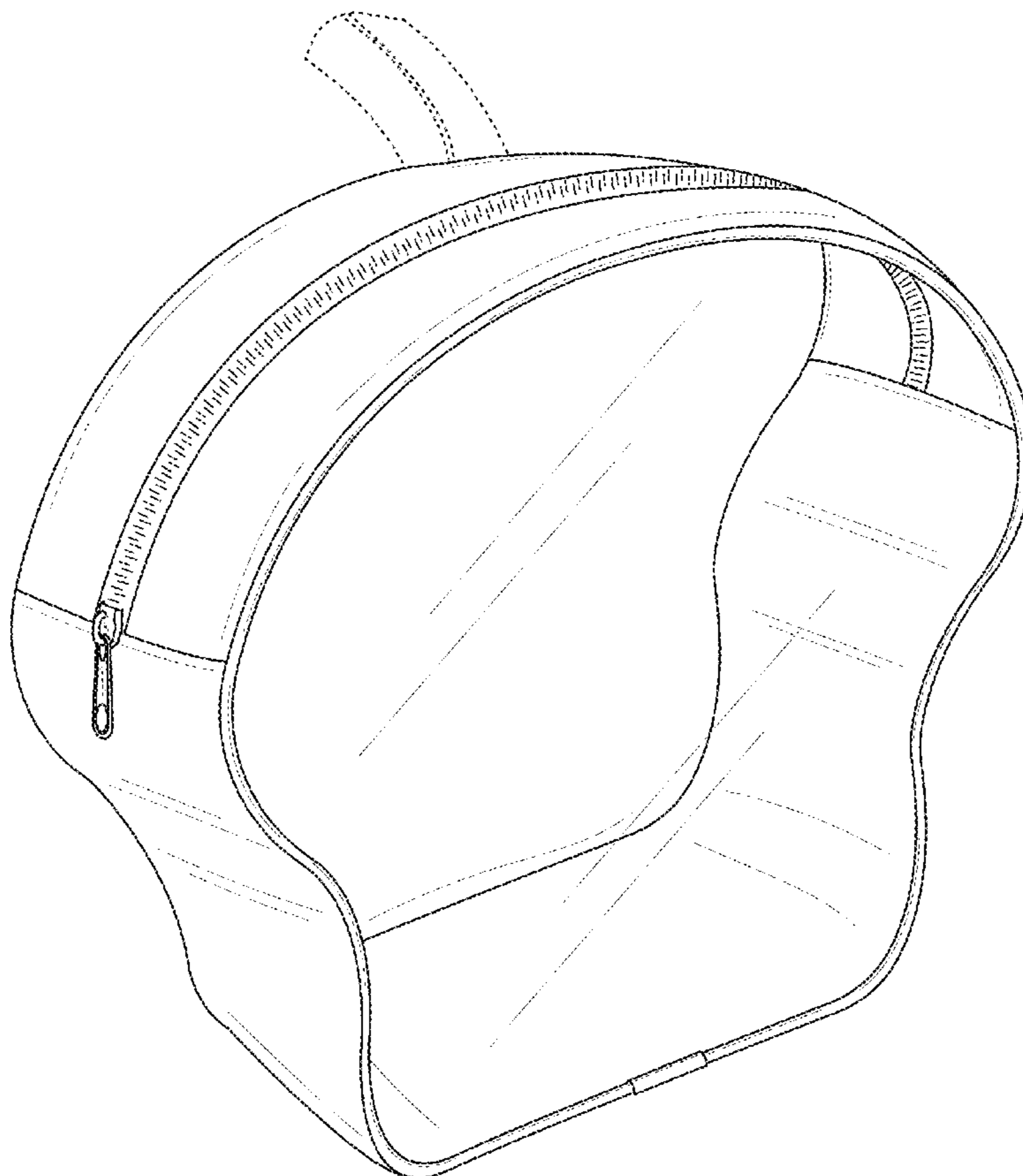
The broken lines in the drawings depict portions of the backpack that form no part of the claimed design.

(56) **References Cited**

U.S. PATENT DOCUMENTS

5,222,642 A * 6/1993 Solarz A45C 13/08
224/191

1 Claim, 7 Drawing Sheets



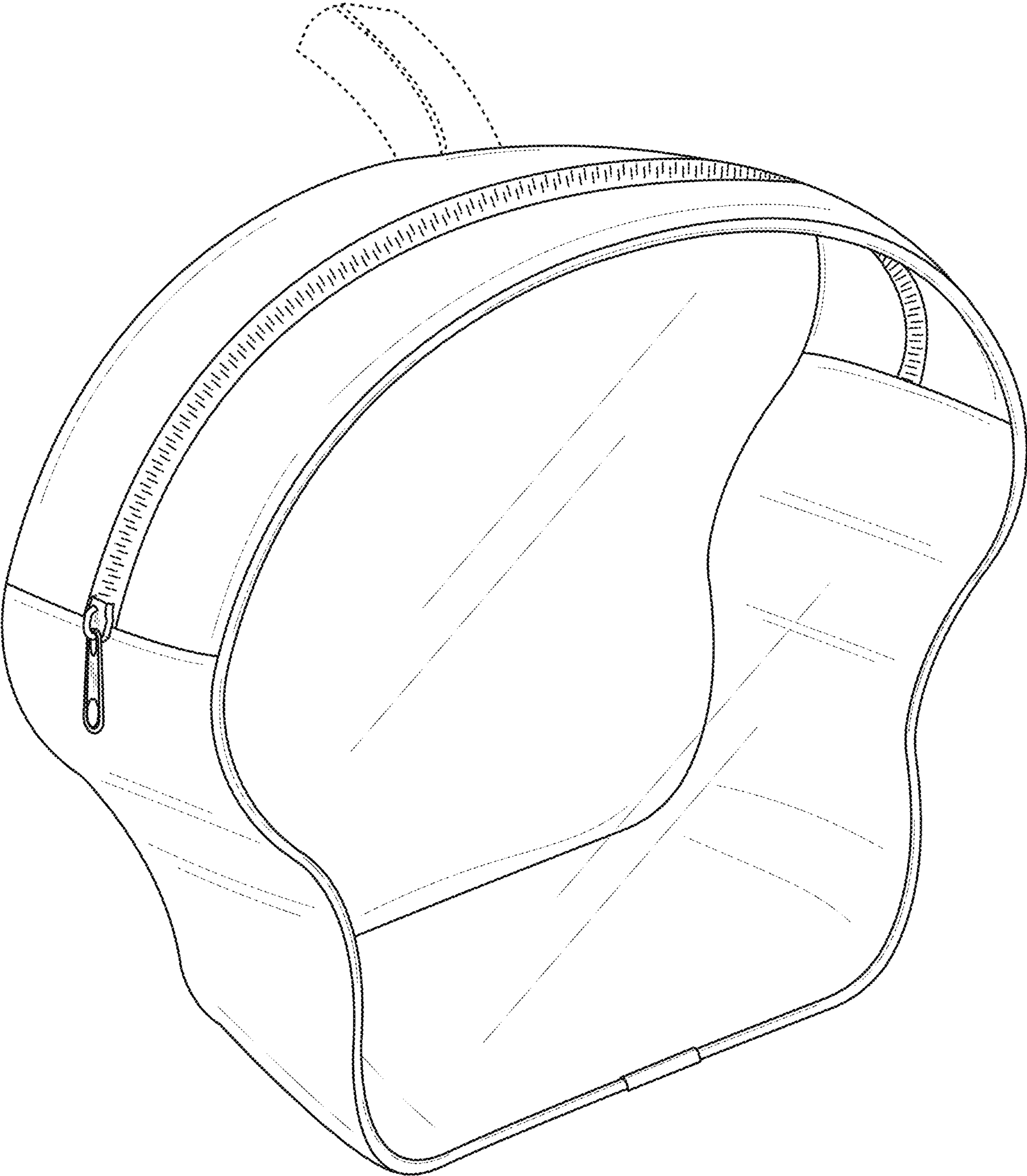


FIG. 1

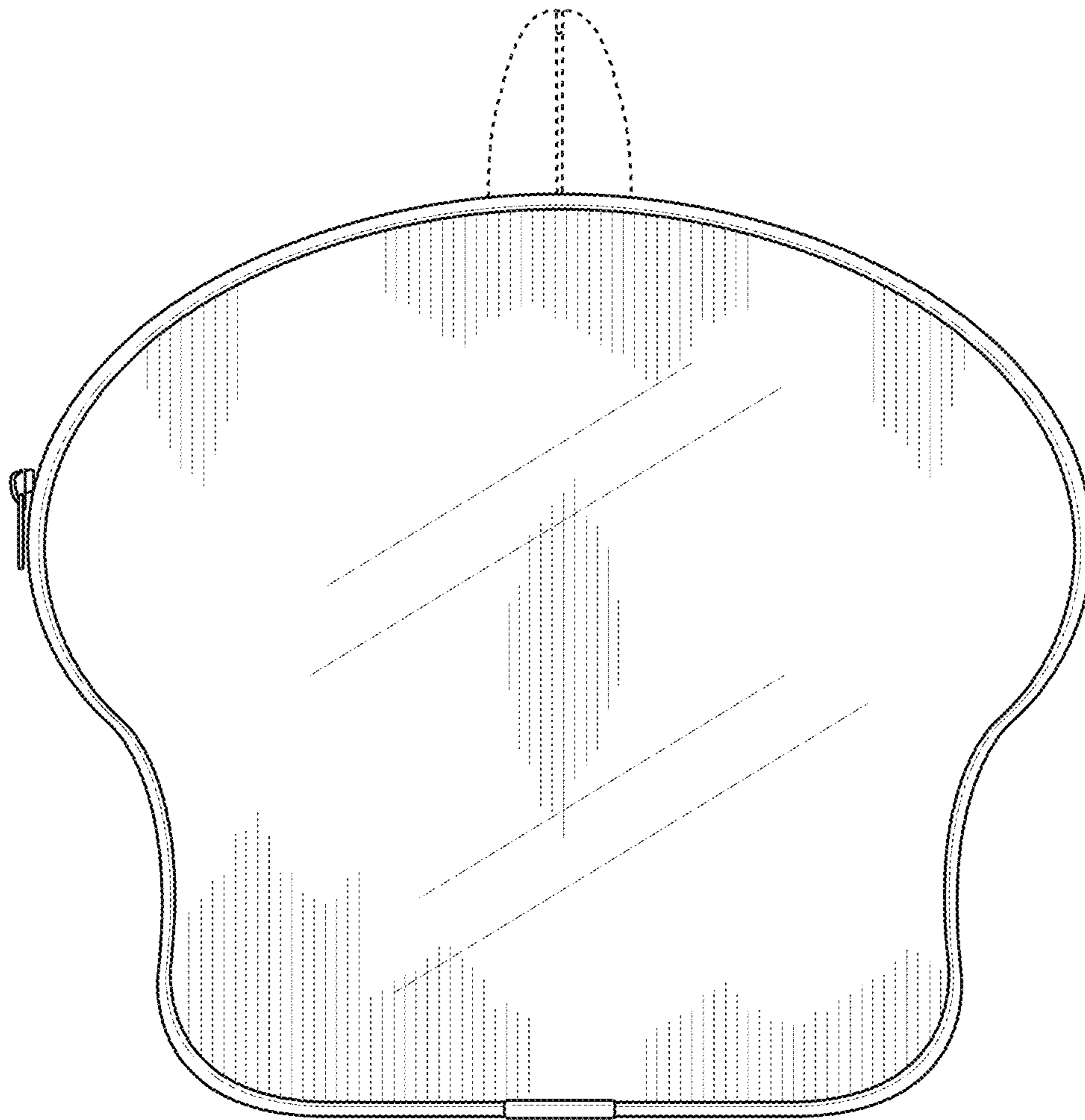


FIG. 2

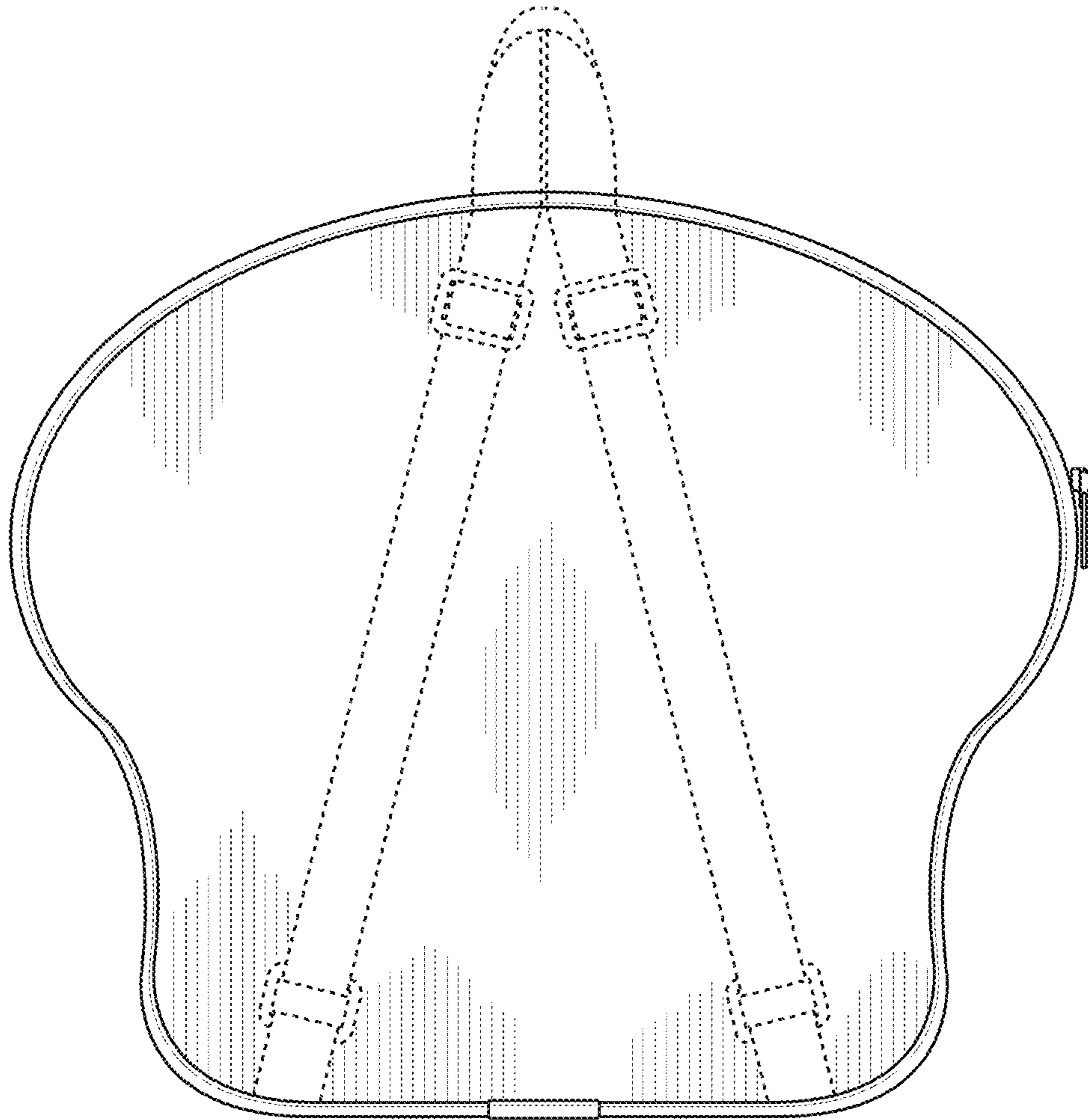


FIG. 3

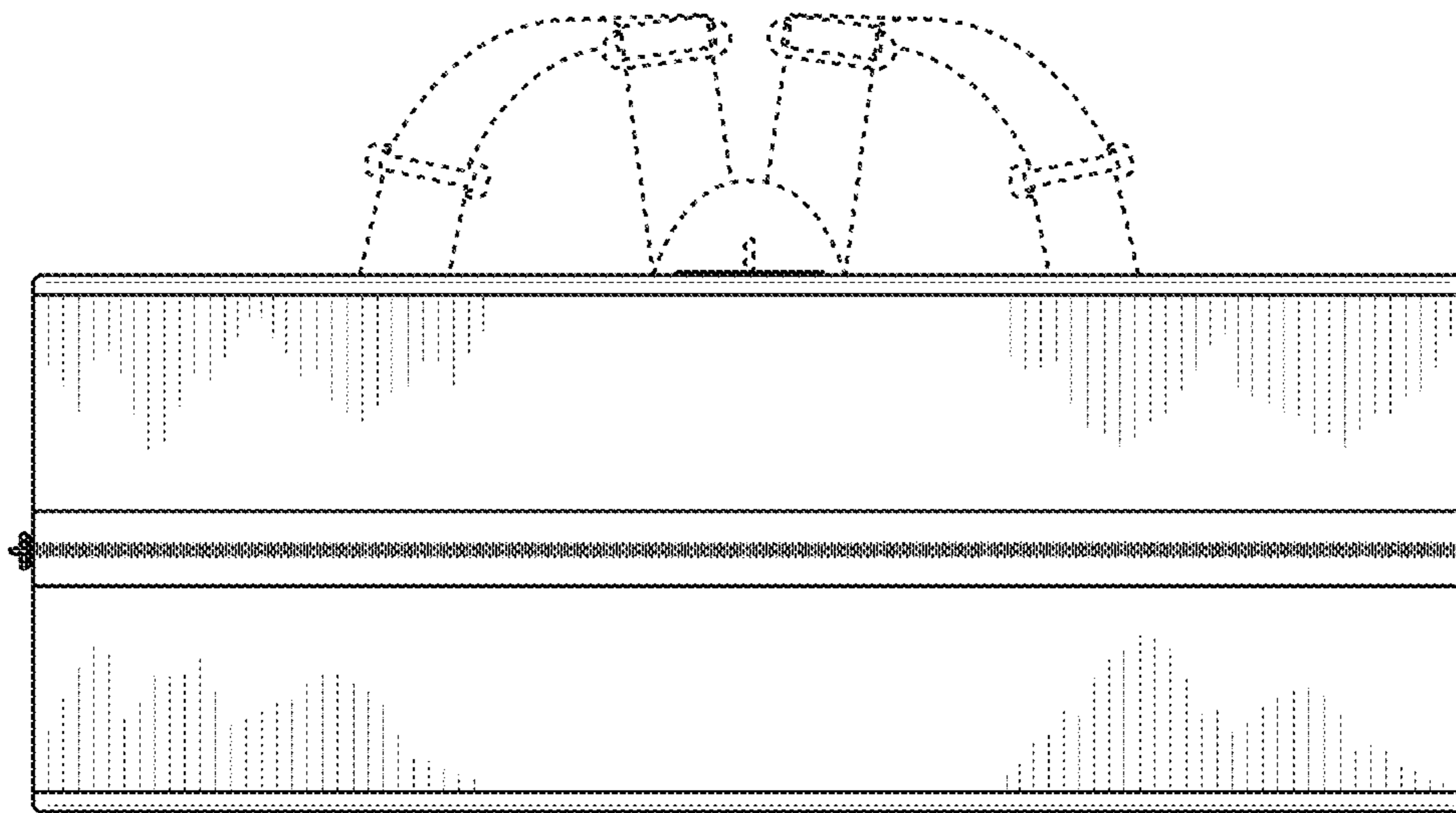


FIG. 4

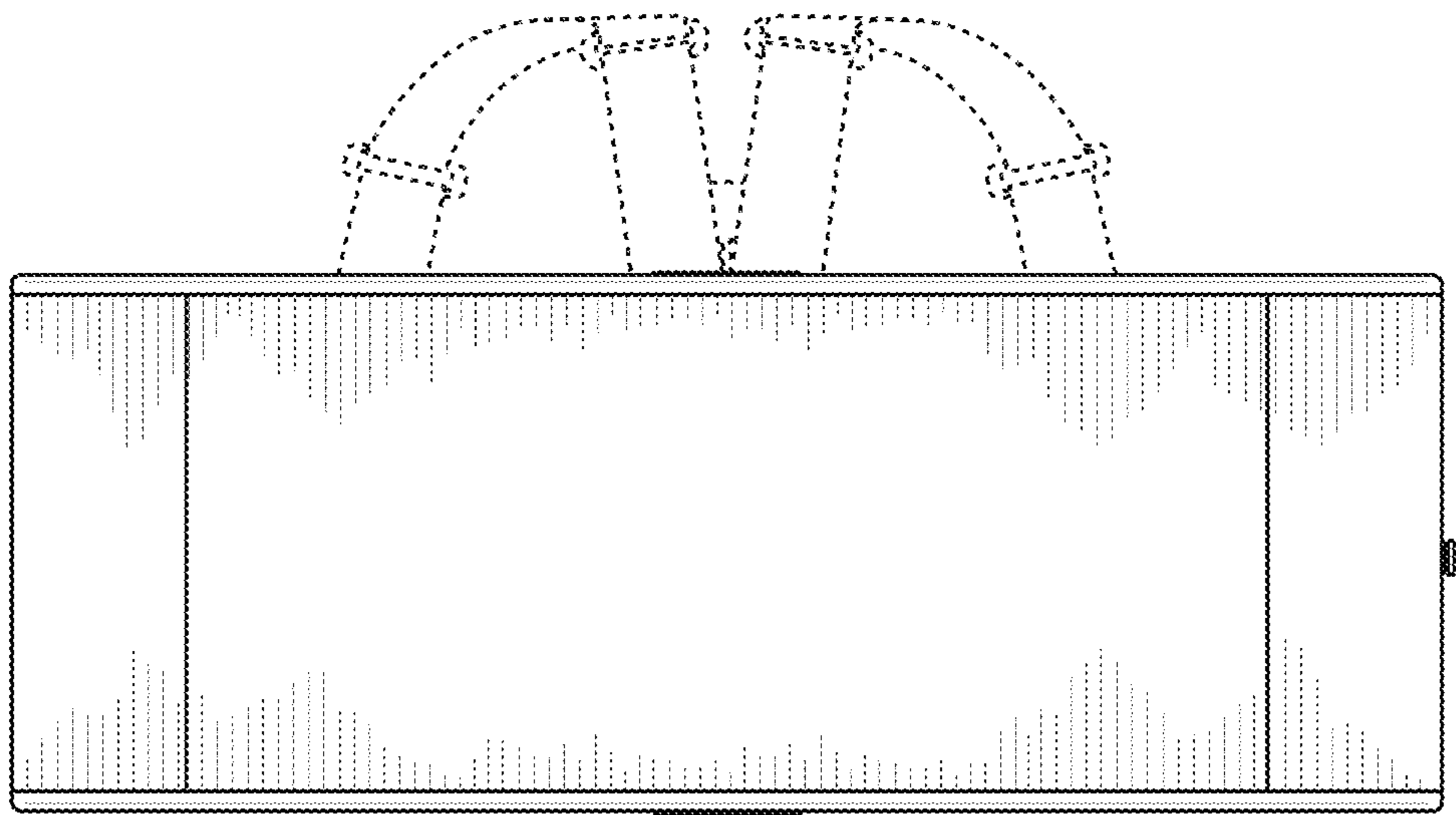


FIG. 5

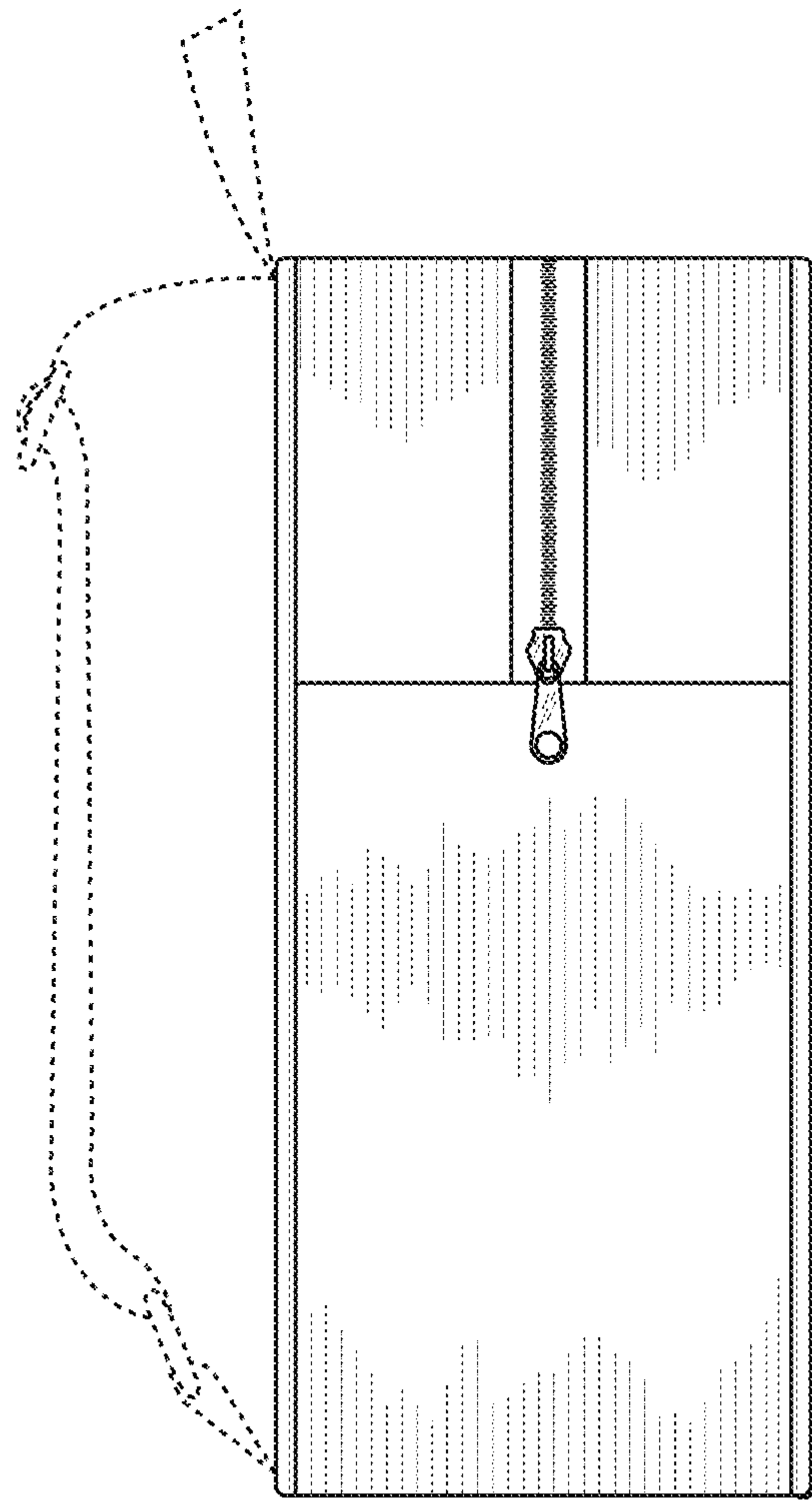


FIG. 6

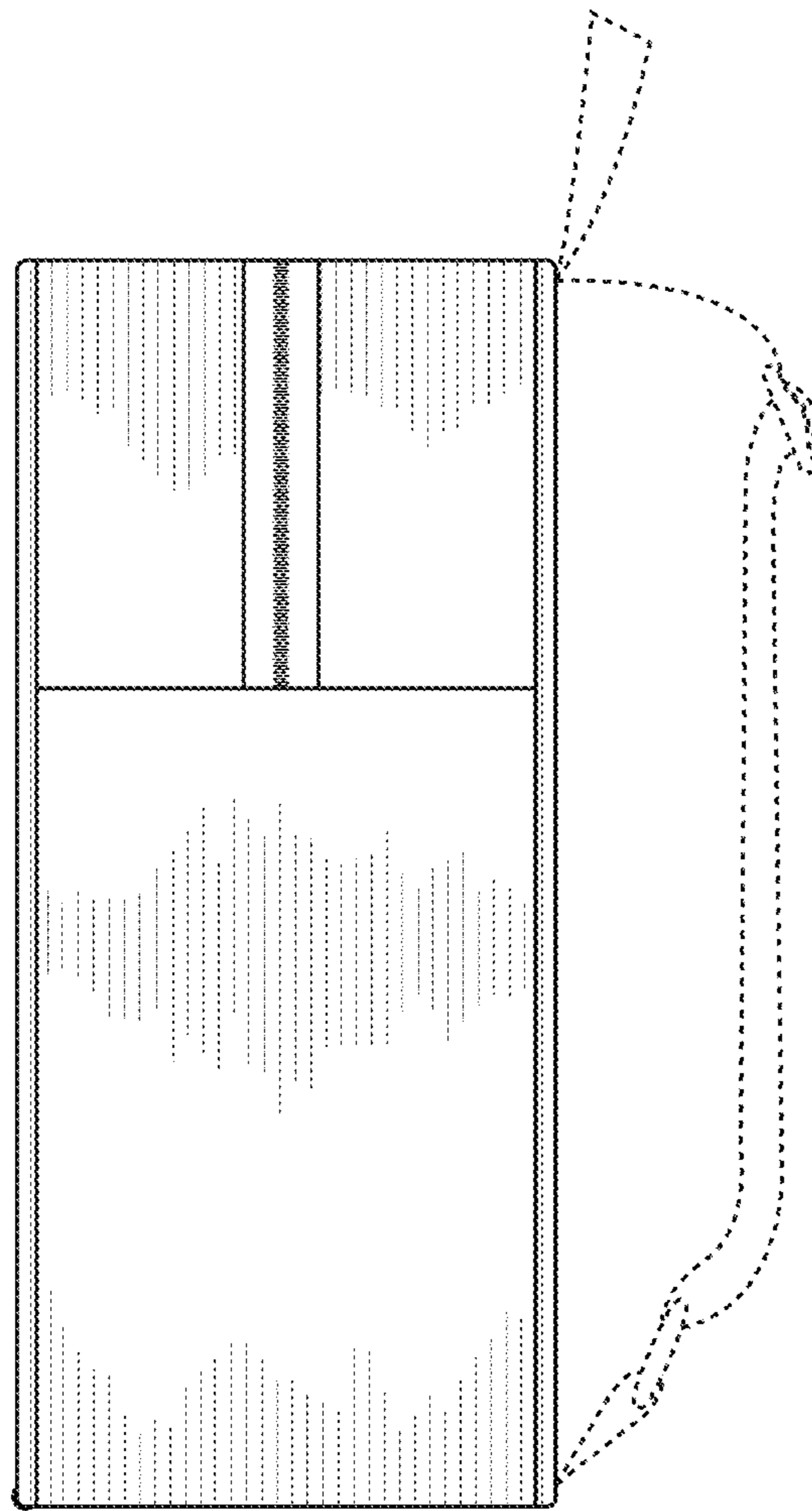


FIG. 7