

US00D927174S

(12) **United States Design Patent** (10) **Patent No.:** **US D927,174 S**
Dai (45) **Date of Patent:** **** Aug. 10, 2021**

(54) **BAG**
(71) Applicant: **ShenZhen YiHong E-Commerce Co., LTD**, Guangdong (CN)
(72) Inventor: **Yi Dai**, ShenZhen (CN)
(73) Assignee: **ShenZhen YiHong E-Commerce CO. LTD**, ShenZhen (CN)

D861,329 S * 10/2019 Wei D3/217
D867,751 S * 11/2019 Seip D3/217
D872,992 S * 1/2020 He D3/217
D879,464 S * 3/2020 Vario, Jr. D3/217
D880,847 S * 4/2020 Huang D3/217
2017/0013947 A1* 1/2017 Rowe A45F 3/04
2019/0380478 A1* 12/2019 Rushing A45F 3/04
2019/0387866 A1* 12/2019 Cheng A45C 13/04

(**) Term: **15 Years**
(21) Appl. No.: **29/686,923**

(22) Filed: **Apr. 9, 2019**
(51) **LOC (13) Cl.** **03-01**
(52) **U.S. Cl.**
USPC **D3/217**
(58) **Field of Classification Search**
USPC D3/216–217, 273, 289, 290, 318, 321,
D3/322, 323, 243, 244, 246, 232, 233,
D3/242, 245; 383/72
CPC A45F 4/02; A45F 4/08; A45F 2200/05;
A45F 2200/0525; A45F 3/04; A45F
3/042; A45F 3/047; A45F 3/08; A45F
3/10; A45F 3/14; A45C 13/08; A45C
13/083; A45C 13/1046; A45C 2003/007;
A45C 3/10

See application file for complete search history.

(56) **References Cited**

U.S. PATENT DOCUMENTS

D819,959 S * 6/2018 Choi D3/217
D833,141 S * 11/2018 Carter D3/217
D851,393 S * 6/2019 Carter D3/217
D856,662 S * 8/2019 Breines D3/217

OTHER PUBLICATIONS

What's In My Bag? • Diaper Bag Review, posted on youtube.com, posted Jun. 6, 2017, retrieved May 7, 2020, online, URL: <https://www.youtube.com/watch?v=oB6McINNGrc&t=1s> (Year: 2017).*

* cited by examiner

Primary Examiner — Lilyana Bekic
Assistant Examiner — Mary Shannon Malley
(74) *Attorney, Agent, or Firm* — iPA & iPM

(57) **CLAIM**

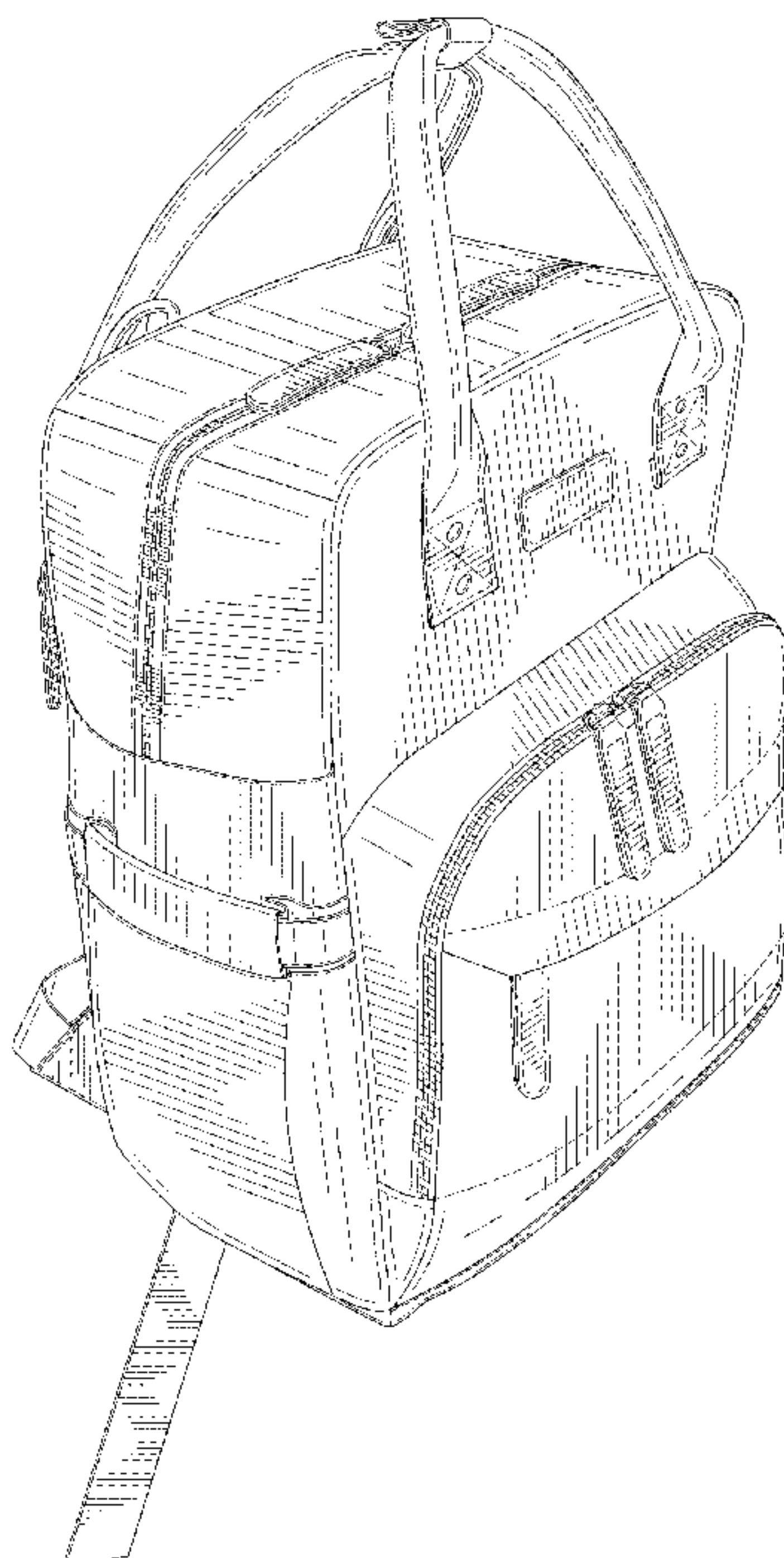
The ornamental design for a bag, as shown and described.

DESCRIPTION

FIG. 1 is a front perspective view of a bag showing my new design;
FIG. 2 is a front view thereof;
FIG. 3 is a left side view thereof;
FIG. 4 is a top view thereof;
FIG. 5 is a right side view thereof;
FIG. 6 is a bottom view thereof; and,
FIG. 7 is a back side view thereof.

The broken lines illustrating a charging port depict portions of the bag that form no part of the claimed design. All other broken lines depict stitching that forms no part of the claimed design.

1 Claim, 5 Drawing Sheets



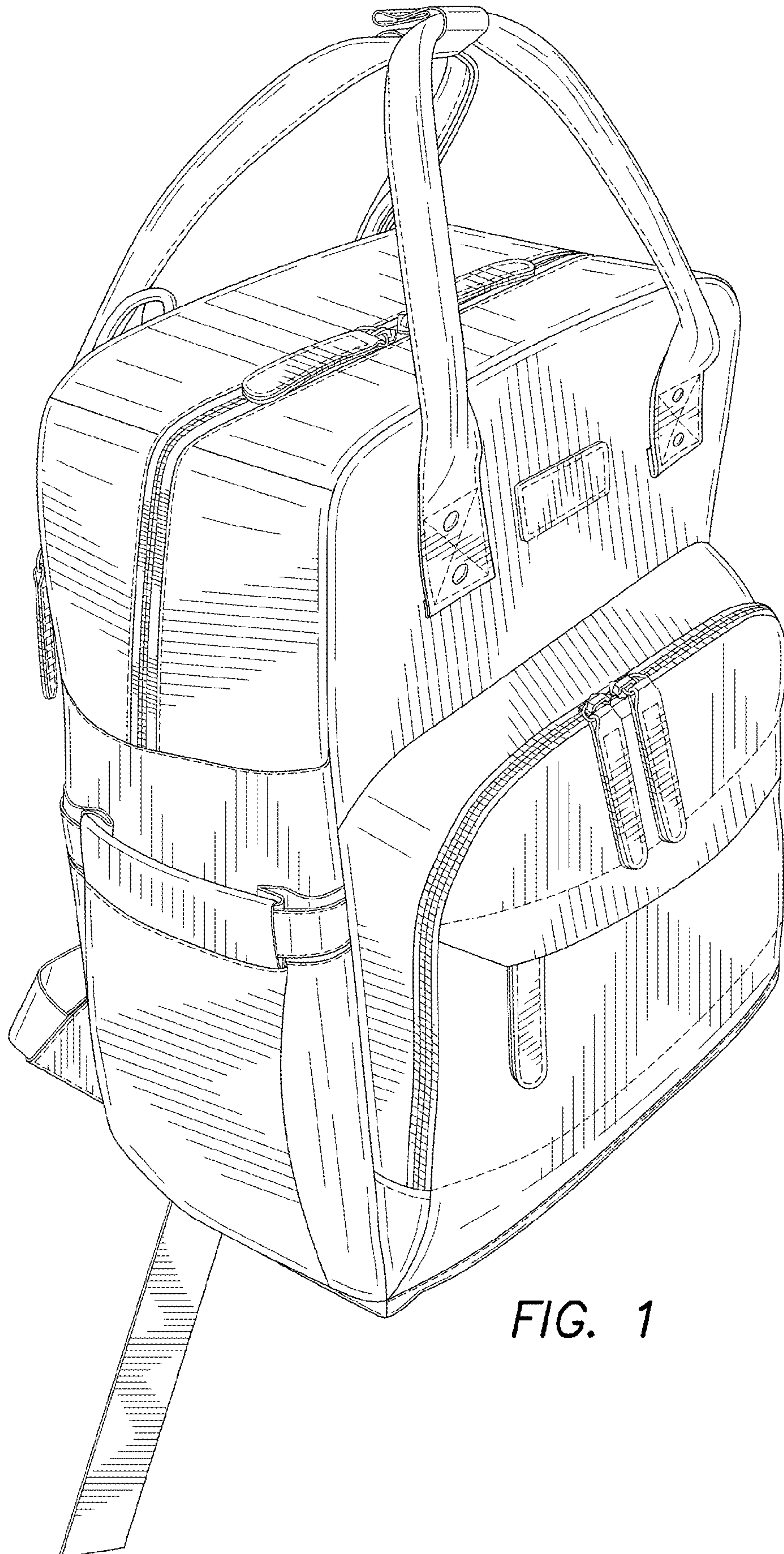


FIG. 1

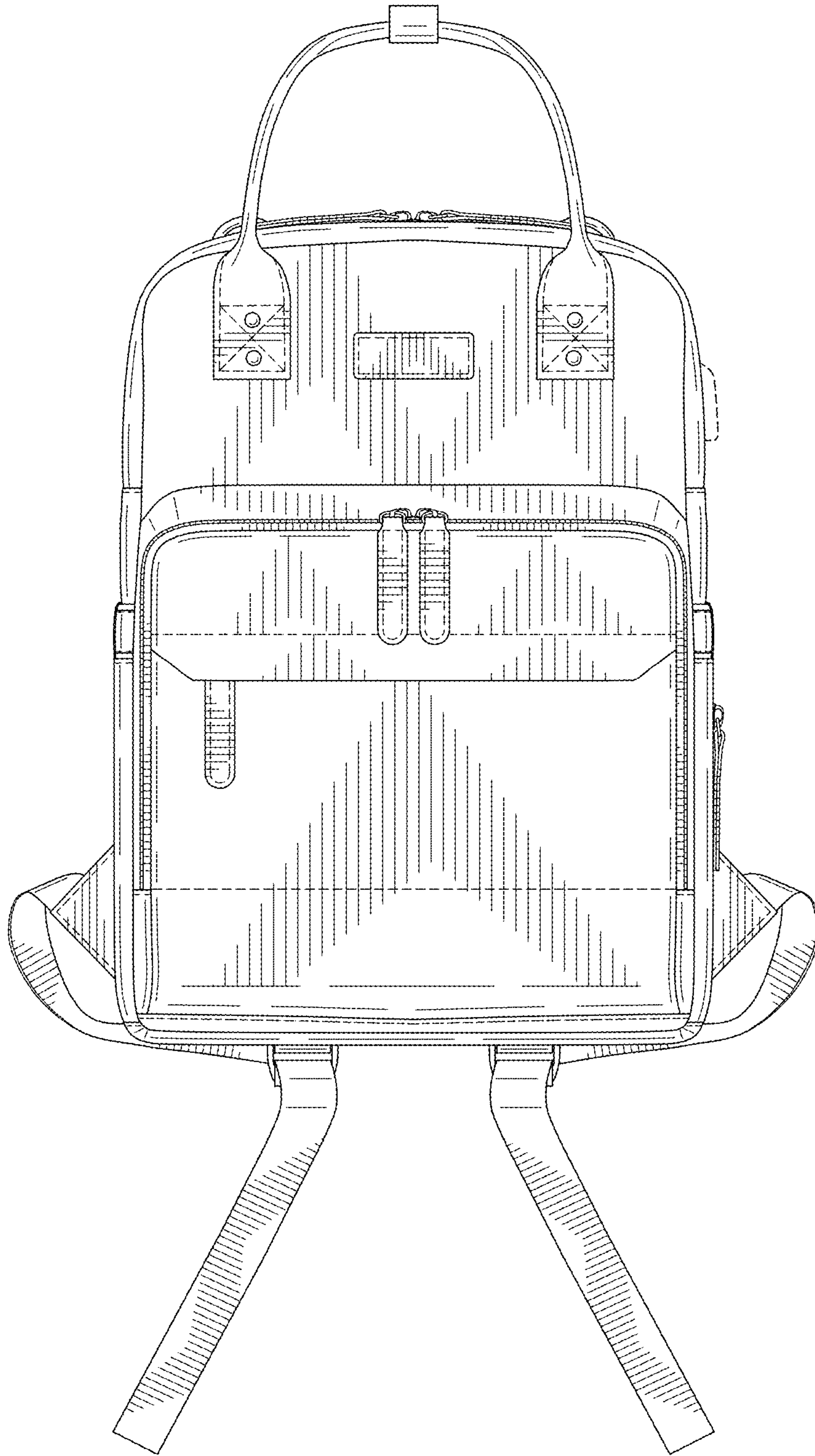


FIG. 2

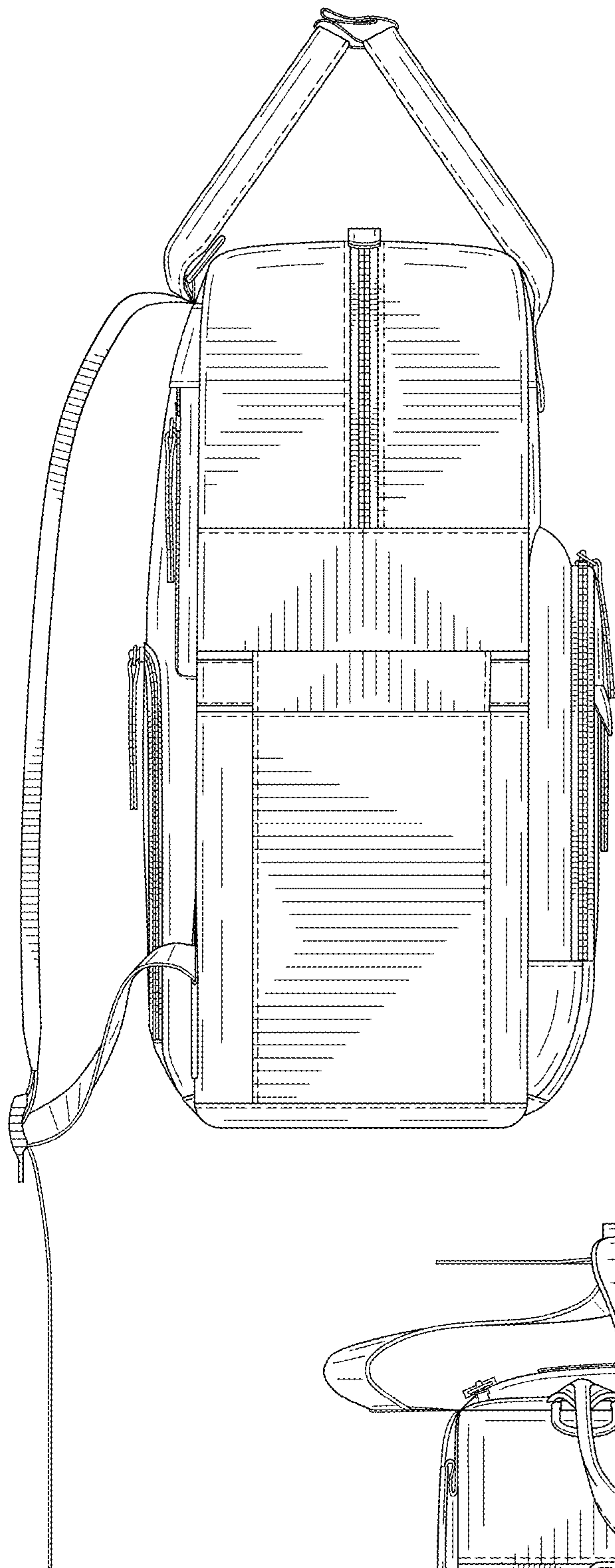


FIG. 3

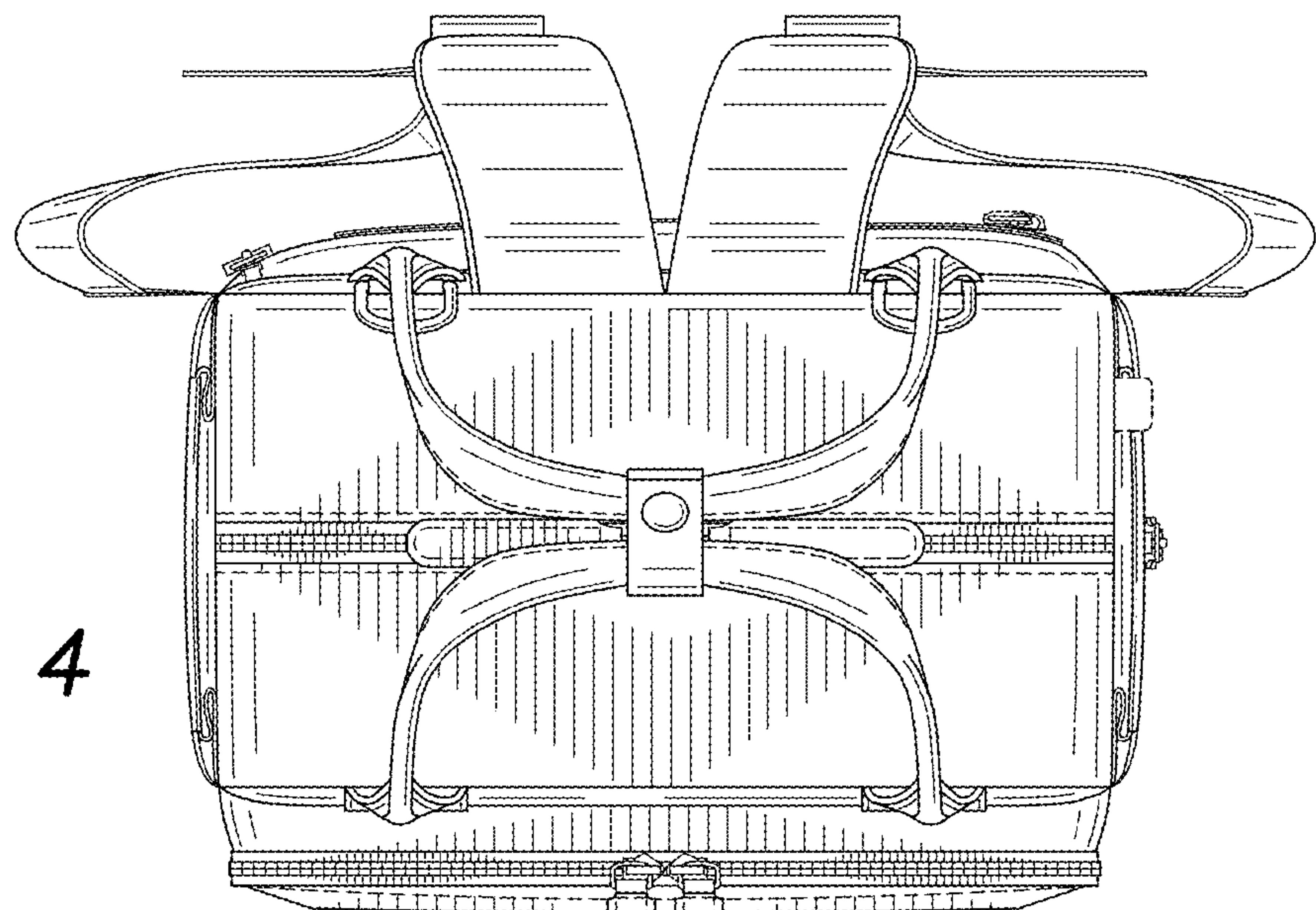


FIG. 4

FIG. 5

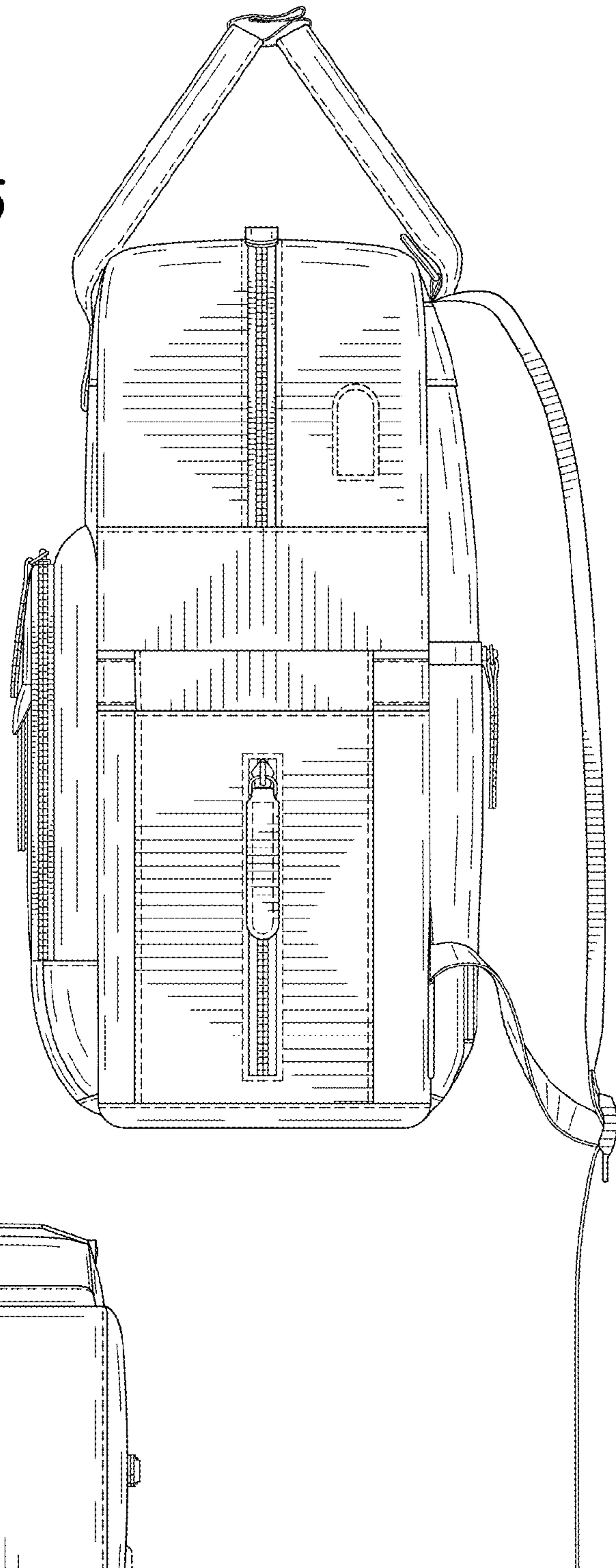
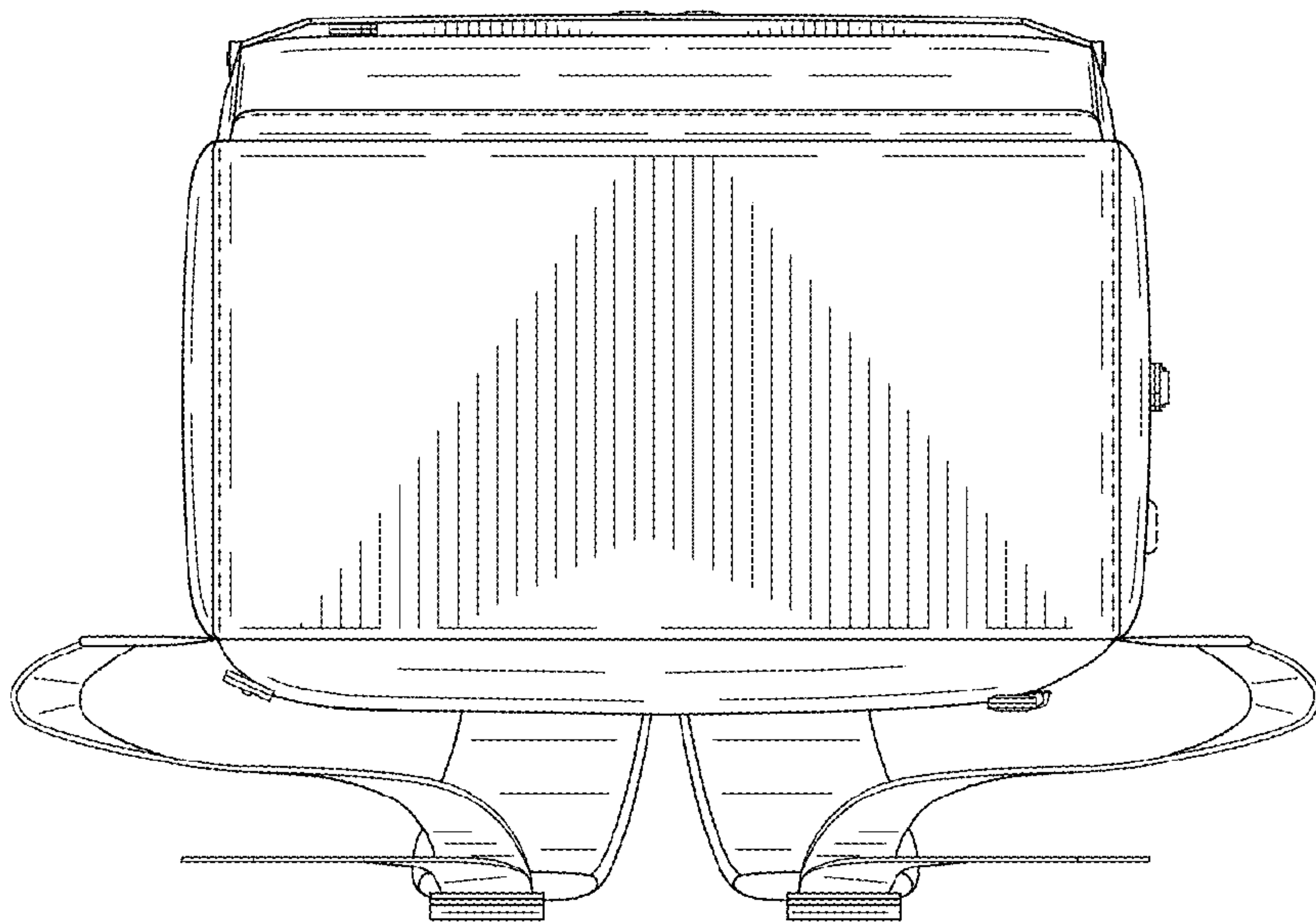


FIG. 6



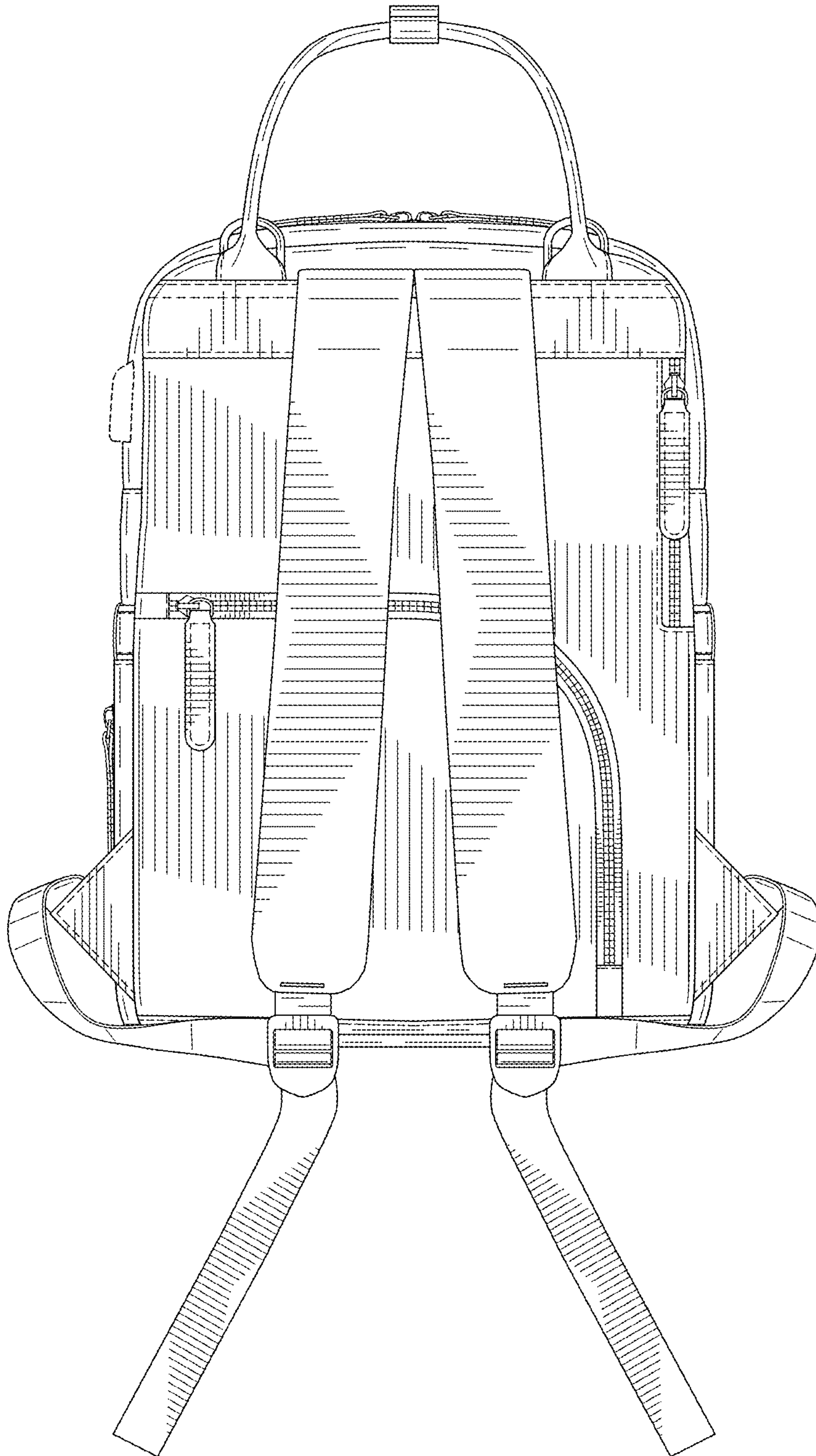


FIG. 7