



US00D927173S

(12) **United States Design Patent** (10) **Patent No.:** **US D927,173 S**
Kawamoto et al. (45) **Date of Patent:** **** *Aug. 10, 2021**

- (54) **BACKPACK**
- (71) Applicants: **Steven A. Kawamoto**, Franklin, OH (US); **James H. Lua**, Columbus, OH (US)
- (72) Inventors: **Steven A. Kawamoto**, Franklin, OH (US); **James H. Lua**, Columbus, OH (US)
- (73) Assignee: **Peregrine Outdoor Products, LLC**, Lebanon, OH (US)
- (*) Notice: This patent is subject to a terminal disclaimer.
- (**) Term: **15 Years**
- (21) Appl. No.: **29/663,081**
- (22) Filed: **Sep. 12, 2018**
- (51) **LOC (13) Cl.** **03-01**
- (52) **U.S. Cl.**
USPC **D3/217; D3/260; D3/262; D7/605**
- (58) **Field of Classification Search**
USPC **D3/216, 217, 274, 276, 279, 283, 289, D3/290, 321, 900, 902, 243, 226, 315, D3/260, 262; D7/605, 607, 608**
CPC . **A45F 3/04; A45F 3/047; A45C 15/00; A45C 3/00**
See application file for complete search history.

D772,562 S *	11/2016	Petre	D3/216
D780,453 S *	3/2017	Carrasco	D3/315
D787,816 S *	5/2017	Slimane	D3/217
D835,397 S *	12/2018	Kawamoto	D3/217
D873,557 S *	1/2020	Pompliano	D3/217
D878,742 S *	3/2020	Xu	D3/217

OTHER PUBLICATIONS

Peregrine field gear, "New Venture Bucket Pack, Shadow Grass Blades", Oldest review Aug. 28, 2017. (<https://www.peregrinefieldgear.com/new-peregrine-field-gear-venture-bucketpack-SGB.aspx>) (Year: 2017).*

Wild hare shooting gear, "New Insulated Venture Bucket Pack, Brown Duck Canvas", First reviewed Aug. 29, 2018. (<https://www.wildhreshootinggear.com/new-insulated-venture-bucket-pack-brown-duck-canvas.aspx>) (Year: 2018).*

* cited by examiner

Primary Examiner — April Rivas

(74) *Attorney, Agent, or Firm* — Tuggle Duggins P.A.; Blake P. Hurt

(57) **CLAIM**

The ornamental design for a backpack, as shown and described.

DESCRIPTION

FIG. 1 is a front elevational view of a backpack showing our new design;

FIG. 2 is a left side elevational view thereof, the right side elevational view being a mirror image thereof;

FIG. 3 is a rear elevational view thereof;

FIG. 4 is a top, front, left side perspective view thereof;

FIG. 5 is a top, rear, right side perspective view thereof;

FIG. 6 is a top plan view thereof; and,

FIG. 7 is a bottom plan view thereof.

The broken lines illustrate portions of the backpack and form no part of the claimed design.

1 Claim, 7 Drawing Sheets

(56) **References Cited**

U.S. PATENT DOCUMENTS

D307,811 S *	5/1990	Branco	D3/289
D419,770 S *	2/2000	Mogil	D3/276
6,938,761 B2	9/2005	Nish	
D648,537 S *	11/2011	Kostner	D3/242
8,251,269 B2	8/2012	Winneur	
D699,031 S *	2/2014	Clavette	D3/216
D772,561 S *	11/2016	Polunsky	D3/216





FIG. 1

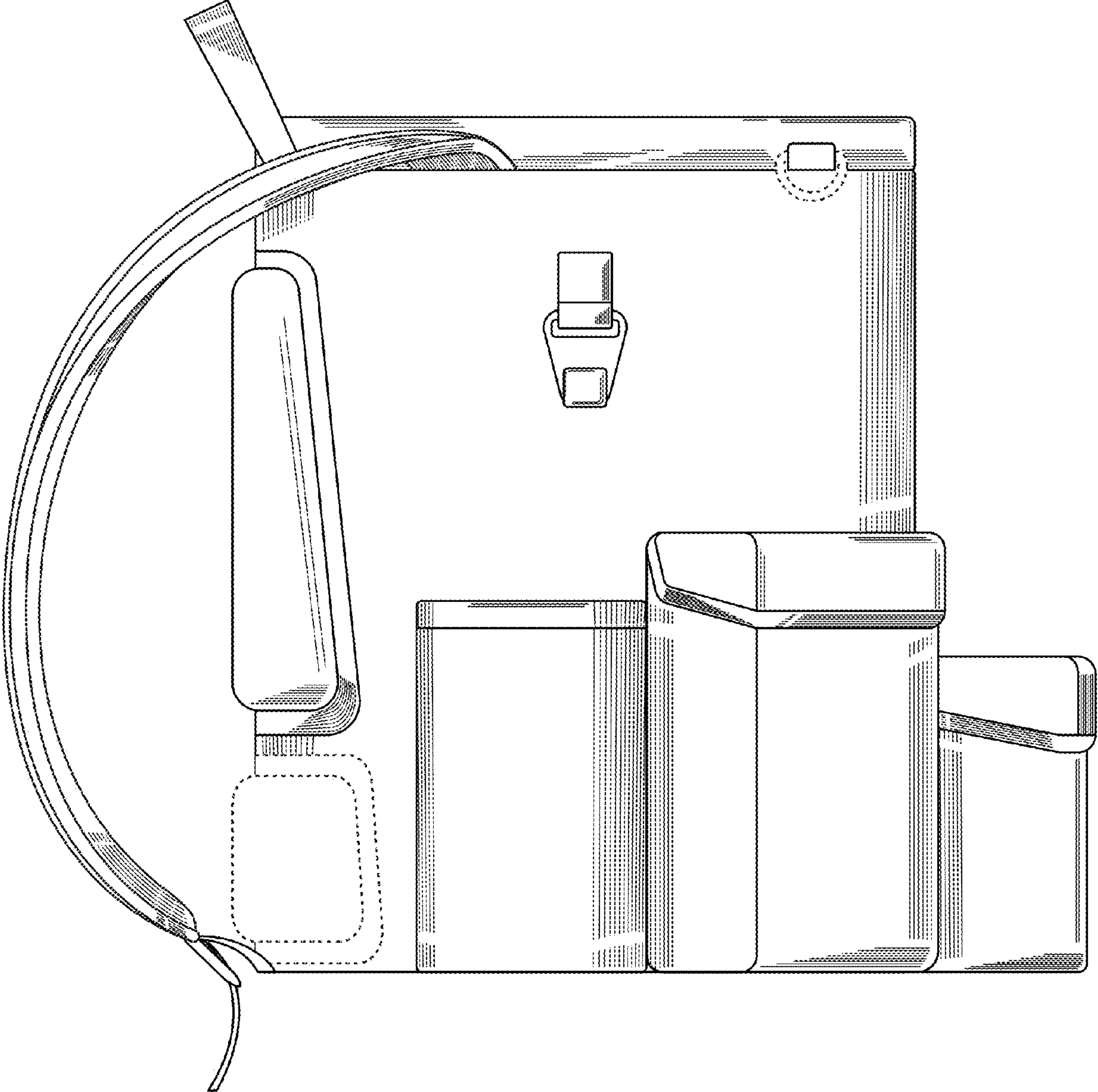


FIG. 2

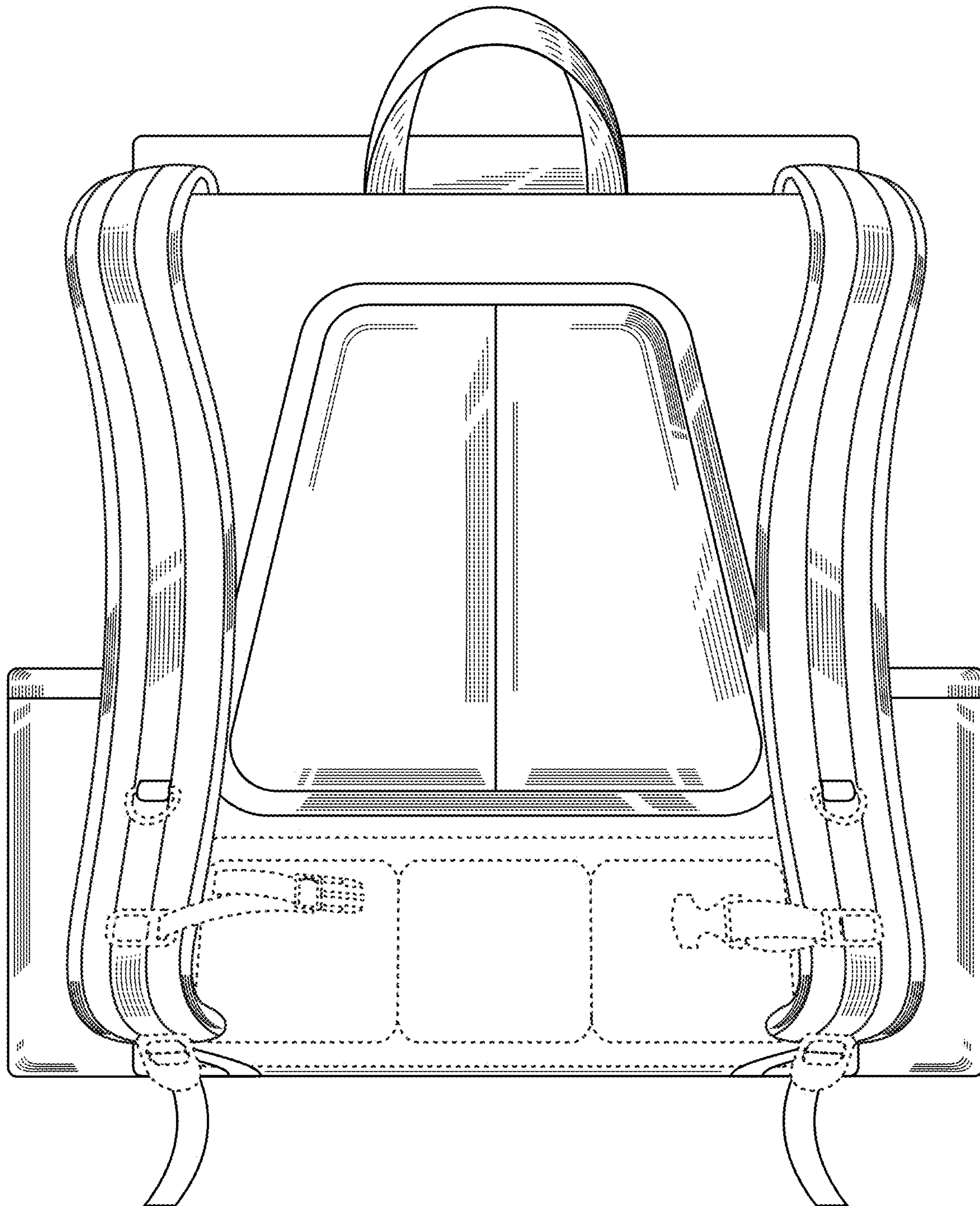


FIG. 3

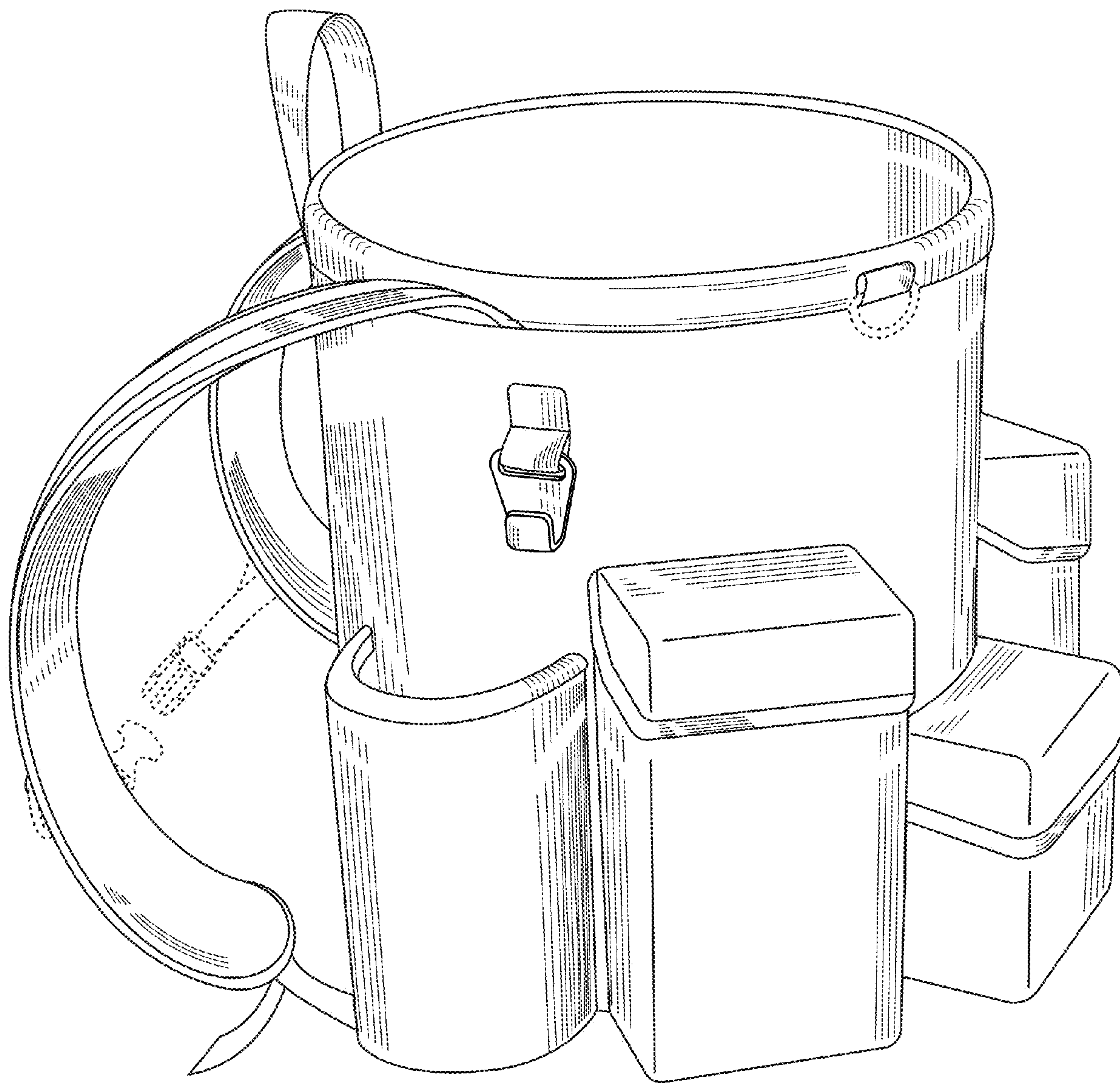


FIG. 4

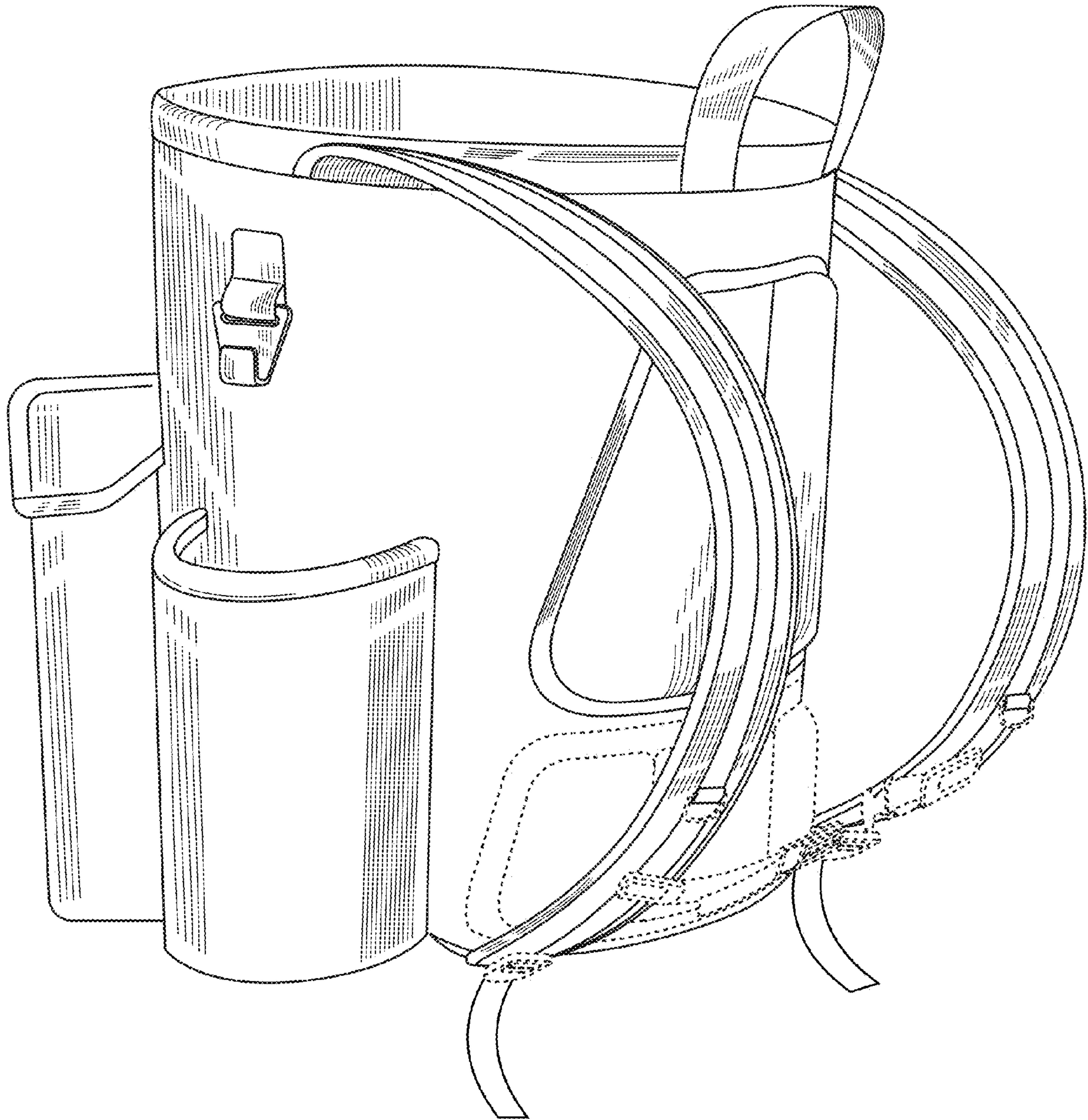


FIG. 5

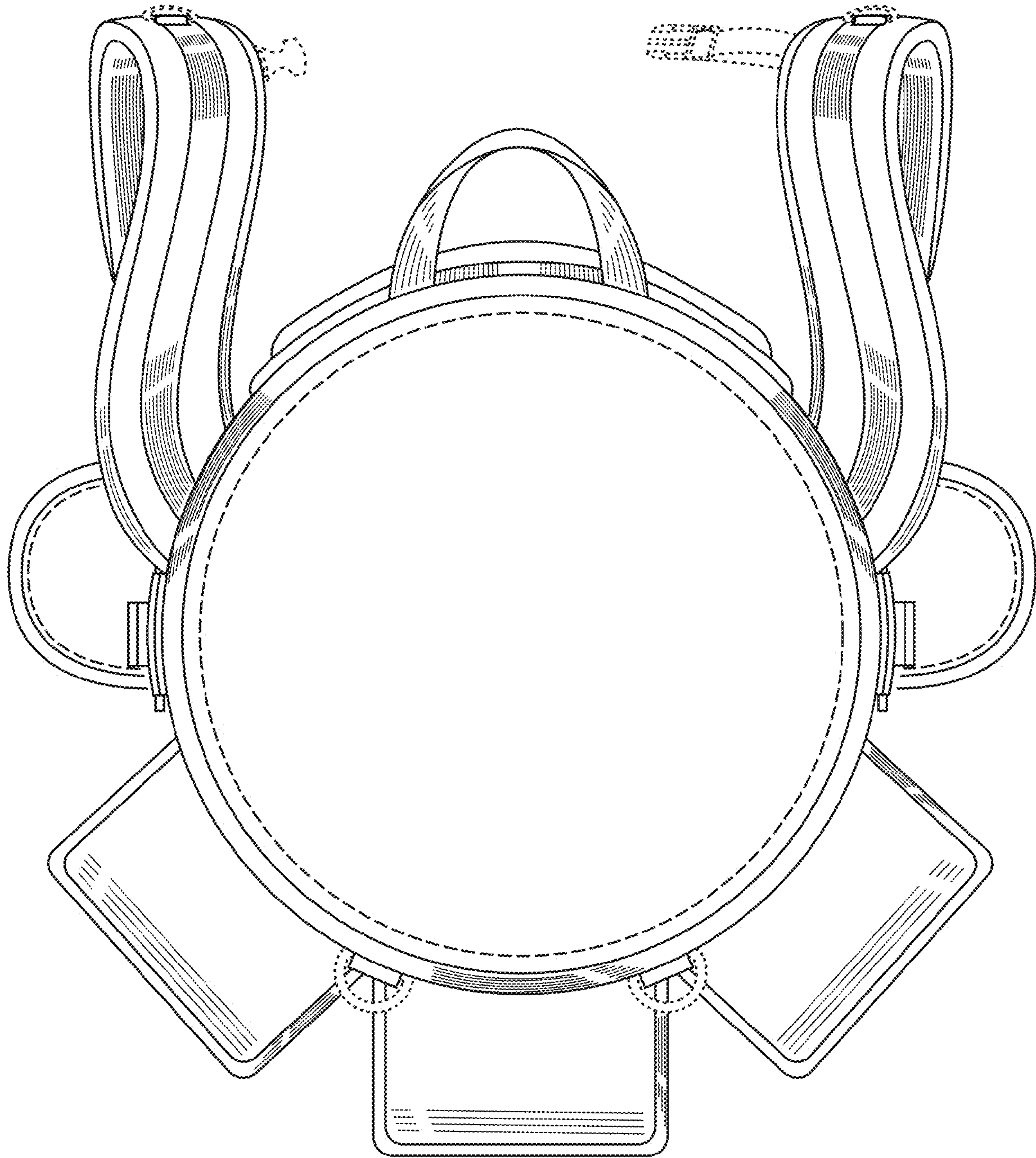


FIG. 6

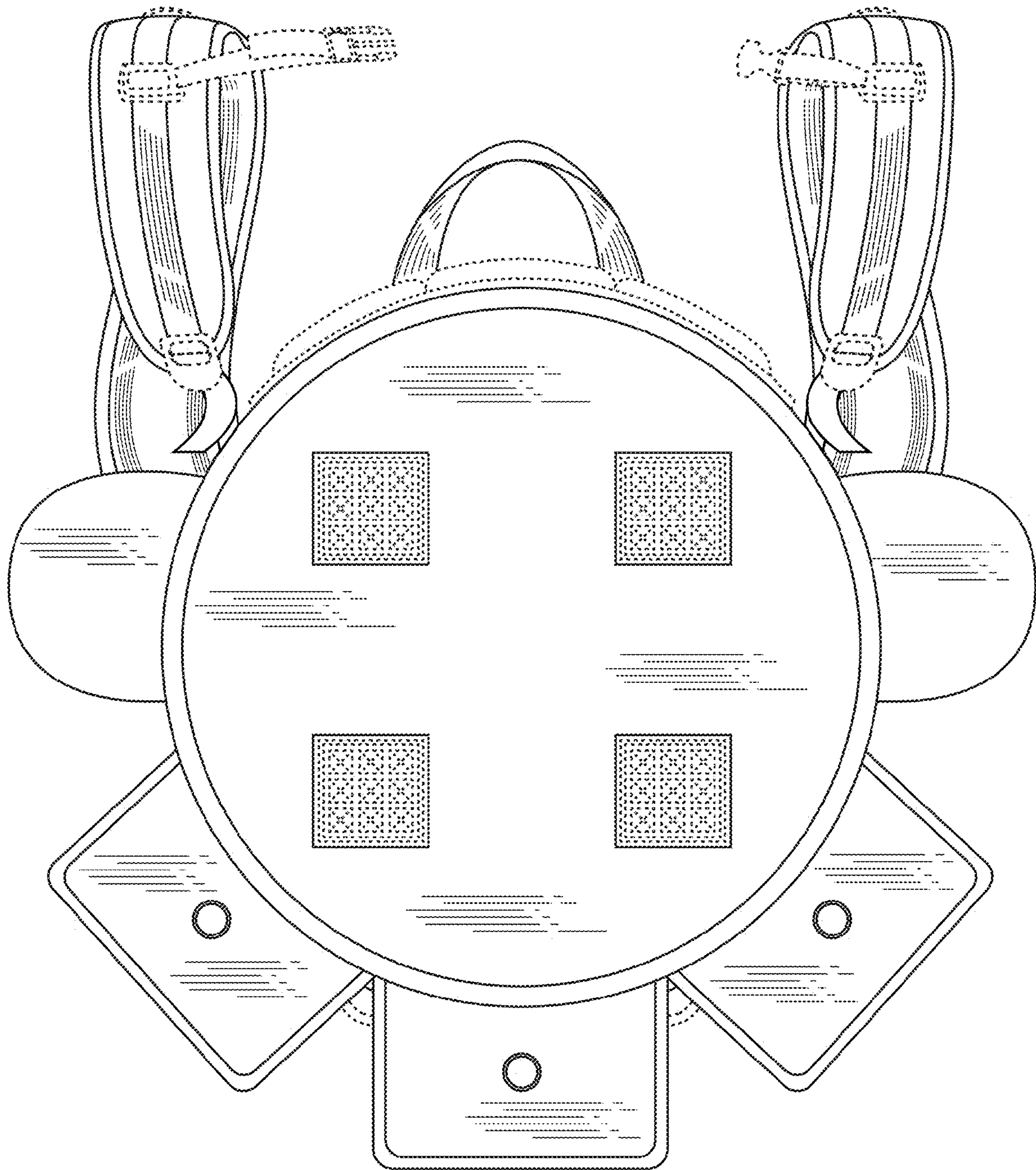


FIG. 7