



US00D927164S

(12) **United States Design Patent** (10) **Patent No.:** **US D927,164 S**
Seamarks (45) **Date of Patent:** **** Aug. 10, 2021**

(54) **SHOE**
(71) Applicant: **NIKE, Inc.**, Beaverton, OR (US)
(72) Inventor: **Karl Seamarks**, Portland, OR (US)
(73) Assignee: **NIKE, Inc.**, Beaverton, OR (US)
(**) Term: **15 Years**
(21) Appl. No.: **29/713,397**
(22) Filed: **Nov. 15, 2019**
(51) **LOC (13) Cl.** **02-04**
(52) **U.S. Cl.**
USPC **D2/972**
(58) **Field of Classification Search**
USPC D2/896, 902-907, 909-915, 930, 932,
D2/943, 946, 962, 964, 968, 969, 970,
D2/972, 976-978
CPC .. A43B 5/00; A43B 5/008; A43B 5/04; A43B
5/0401; A43B 5/0447; A43B 5/049; A43B
5/1675; A43B 5/06; A43B 5/10; A43B
5/08; A43B 5/14; A43B 23/00; A43B
23/02; A43B 23/24
See application file for complete search history.

(56) **References Cited**

U.S. PATENT DOCUMENTS

D307,350 S * 4/1990 Brown D2/970
4,972,613 A * 11/1990 Loveder A43B 5/00
36/105
D321,084 S * 10/1991 Miller D2/903
D322,879 S * 1/1992 Hatfield D2/972
D333,377 S * 2/1993 Hatfield
D544,194 S * 6/2007 Roth D2/916
D619,348 S * 7/2010 Schwartz D2/973
D778,586 S * 2/2017 McMillan D2/972
D781,563 S * 3/2017 Chang D2/972
D796,813 S * 9/2017 Link A43B 5/00
D2/972

D832,568 S * 11/2018 Kuerbis D2/972
D858,054 S * 9/2019 McMillan D2/947
D858,075 S 9/2019 Schultze
D858,082 S 9/2019 McMillan
D860,622 S 9/2019 Pauk
(Continued)

OTHER PUBLICATIONS

Nike Air Huarache Drift, announced Dec. 28, 2017 [online], [site visited May 17, 2021]. Available from internet, URL: <https://hypebeast.com/2017/12/nike-air-huarache-drift-premium-black-purple-red> (Year: 2017).*

(Continued)

Primary Examiner — Elizabeth J Oswecki
Assistant Examiner — Yelizaveta Y Masalimova
(74) *Attorney, Agent, or Firm* — Banner & Witcoff, Ltd.

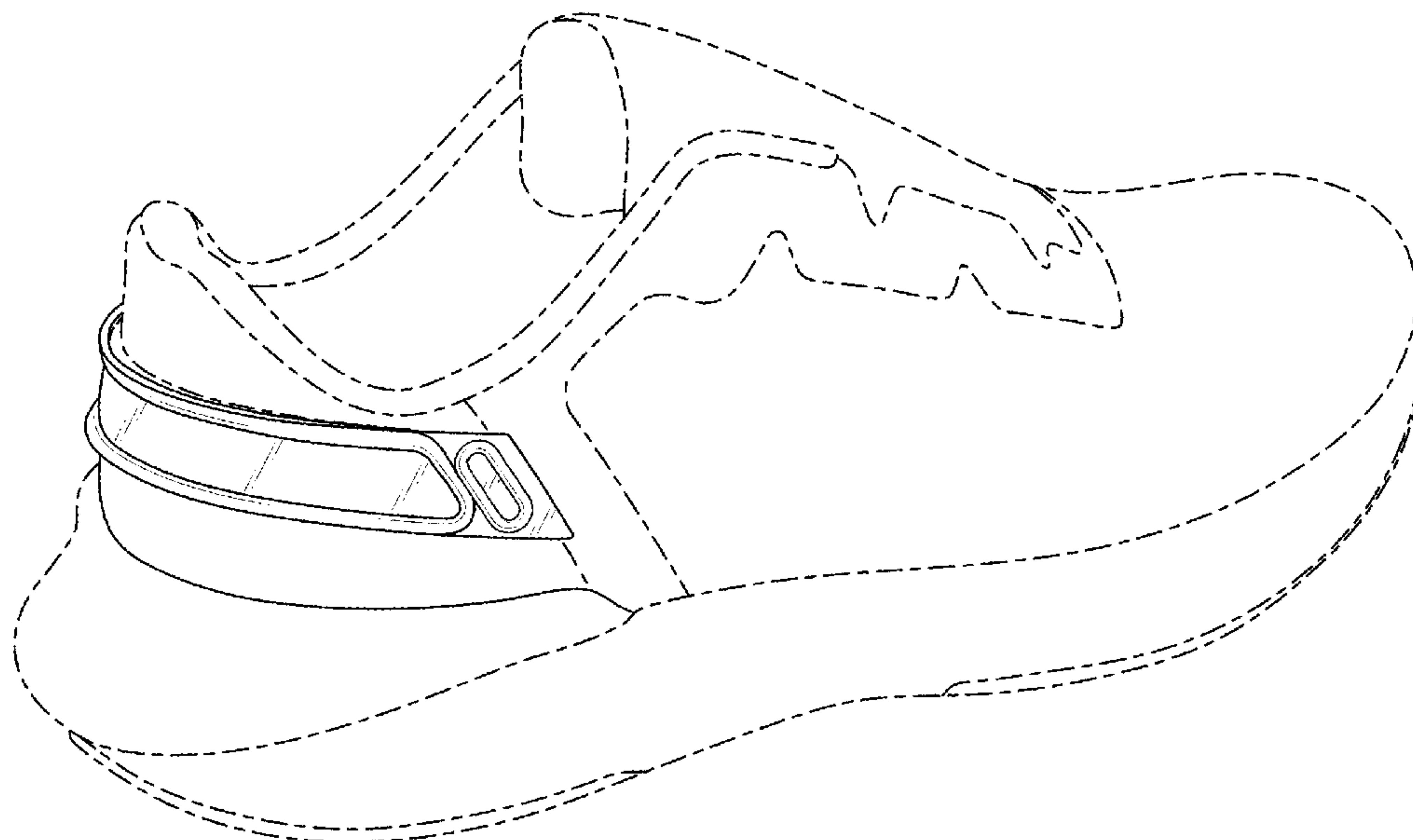
(57) **CLAIM**

The ornamental design for a shoe, as shown and described.

DESCRIPTION

FIG. 1 is a rear perspective view of a shoe showing my new design;
FIG. 2 is a side view thereof;
FIG. 3 is a rear view thereof;
FIG. 4 is an opposite side view thereof;
FIG. 5 is an opposite side rear perspective view thereof;
FIG. 6 is a rear perspective view of a shoe showing my new design in an alternate embodiment;
FIG. 7 is a side view thereof;
FIG. 8 is a rear view thereof;
FIG. 9 is an opposite side view thereof; and,
FIG. 10 is an opposite side rear perspective view thereof.
The oblique line shading in FIGS. 1-5 represents a transparent or translucent appearance. The broken lines depicting the remainder of the shoe form no part of the claimed design.

1 Claim, 10 Drawing Sheets



(56)

References Cited

U.S. PATENT DOCUMENTS

D864,552 S * 10/2019 Stocco A43B 3/248
D2/972
D874,123 S * 2/2020 Cin A43B 21/26
D2/972
D876,798 S * 3/2020 Aden D2/972
D878,736 S * 3/2020 O'Connor D2/973
D880,136 S * 4/2020 Cristobal D2/972
D882,930 S * 5/2020 Seamarks D2/972
D905,394 S * 12/2020 Schultze D2/947
D908,337 S * 1/2021 Troufanov D2/972
D918,561 S * 5/2021 Rasmussen D2/972
2018/0289109 A1 * 10/2018 Beers A43B 21/26
2019/0254381 A1 * 8/2019 Hopkins A43B 3/248

OTHER PUBLICATIONS

U.S. Appl. No. 29/713,390.

* cited by examiner

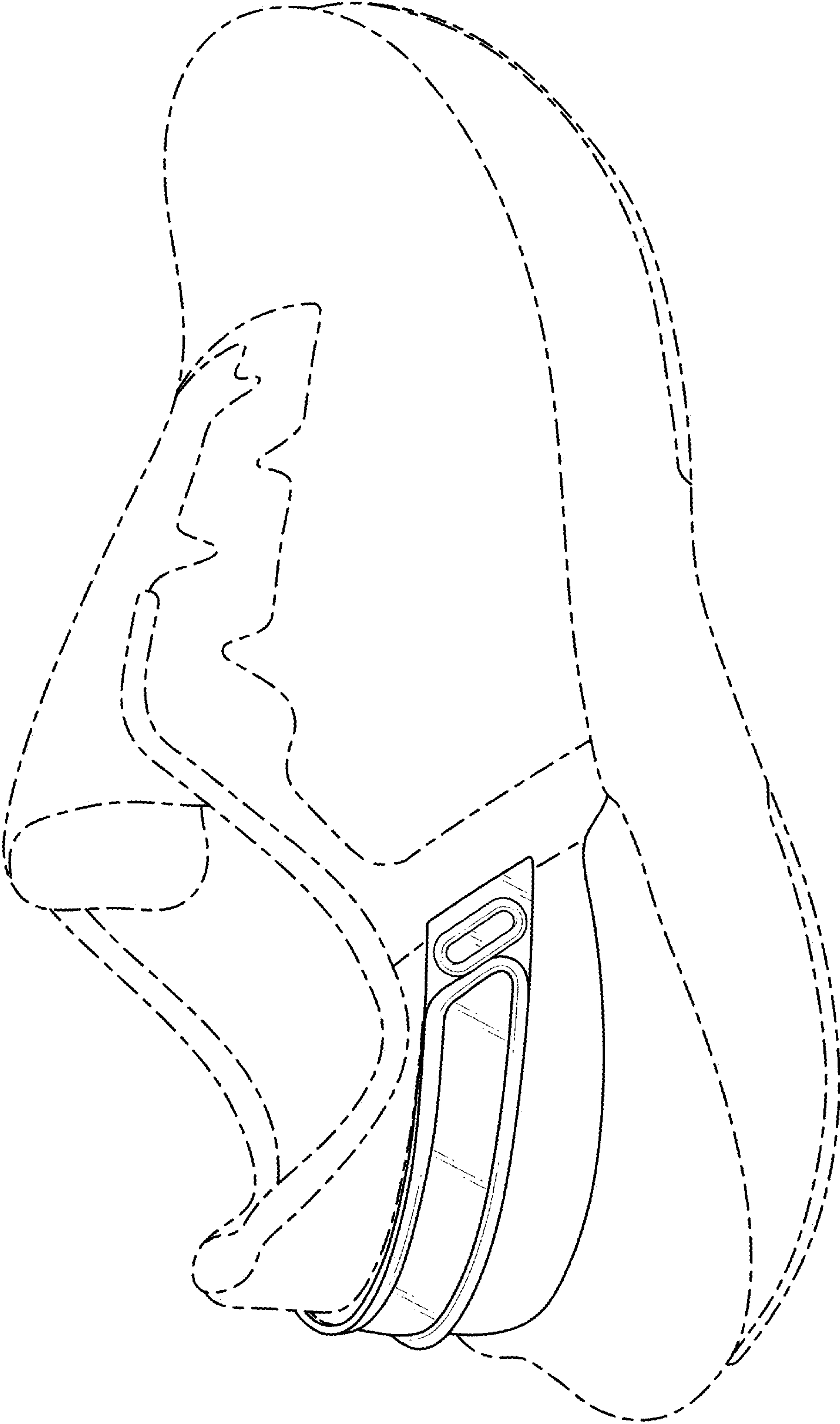


FIG. 1

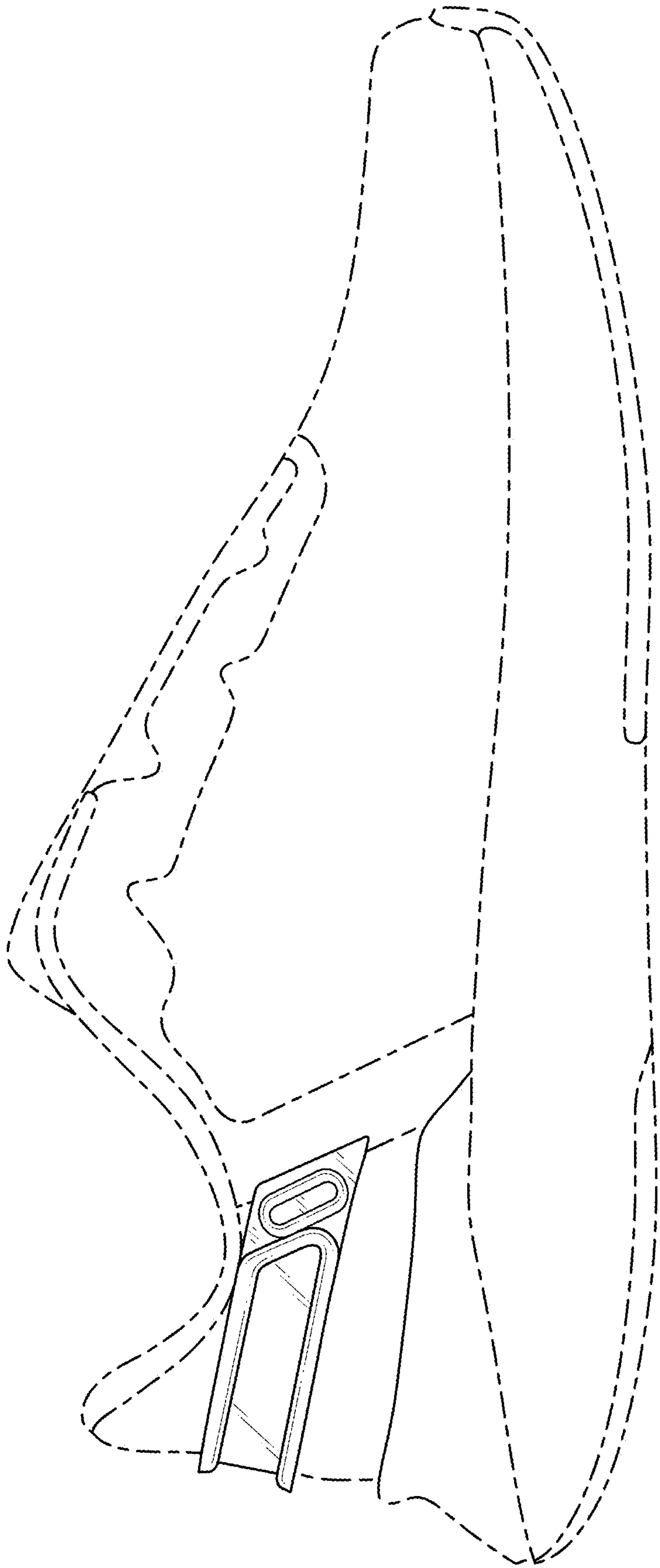


FIG. 2

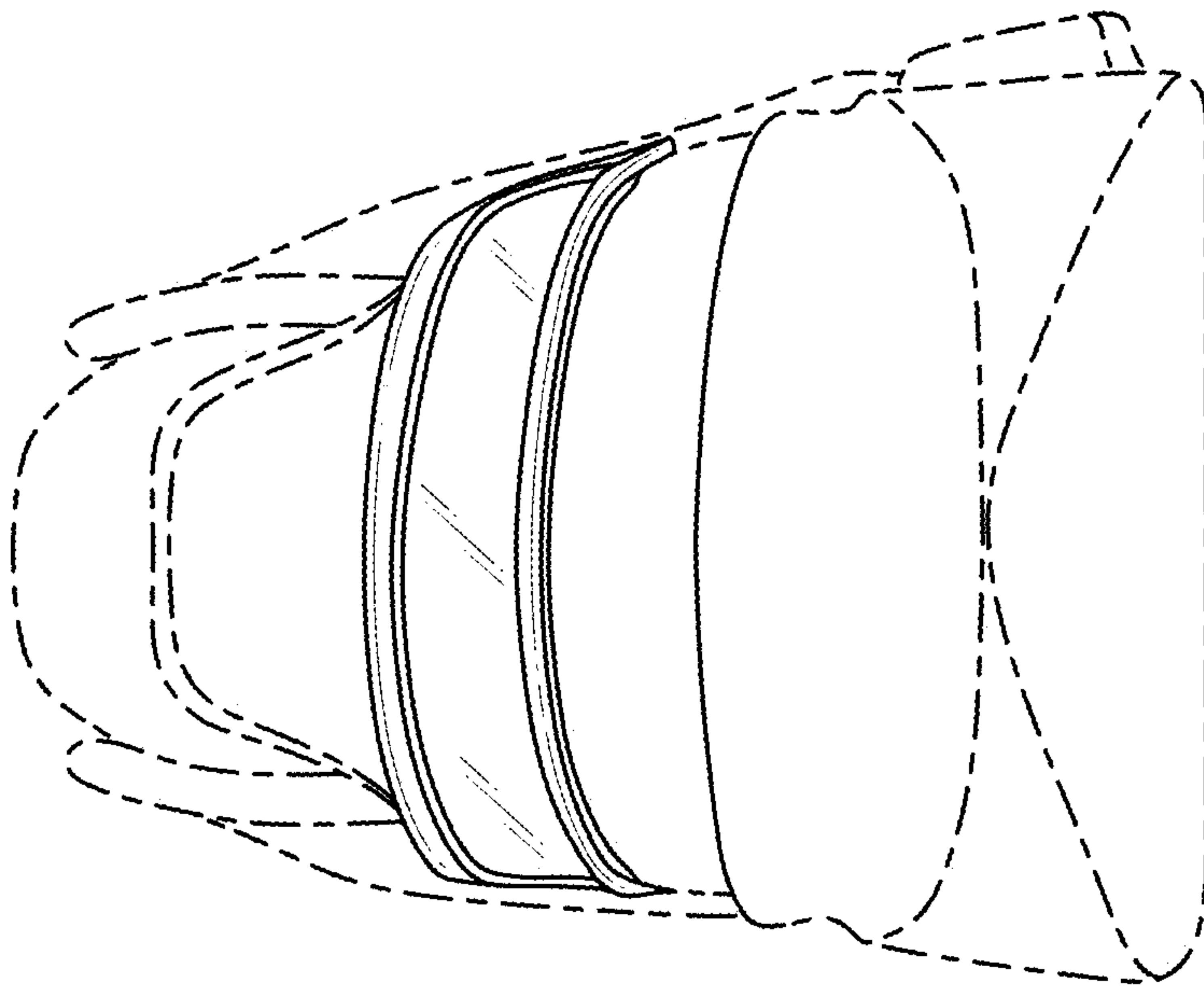


FIG. 3

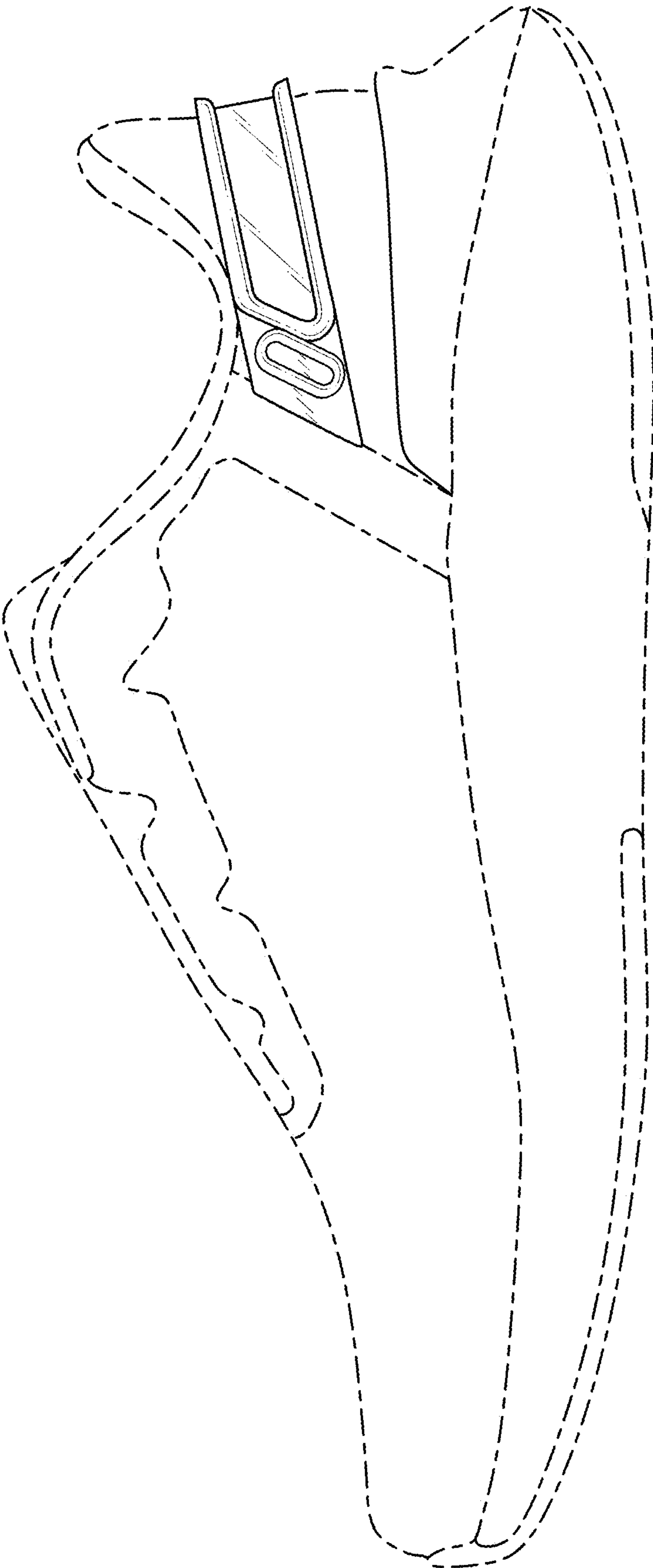


FIG. 4

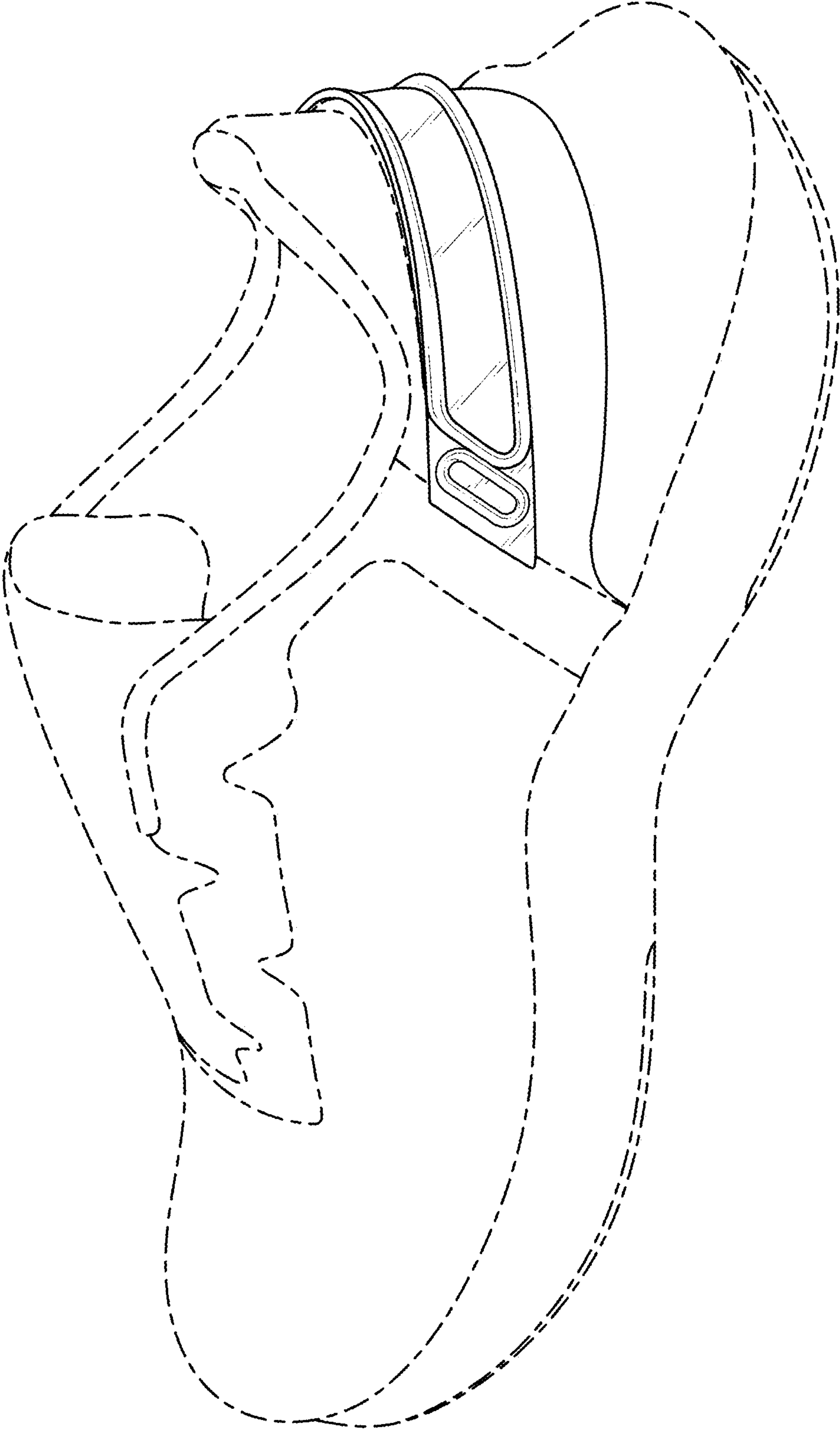


FIG. 5

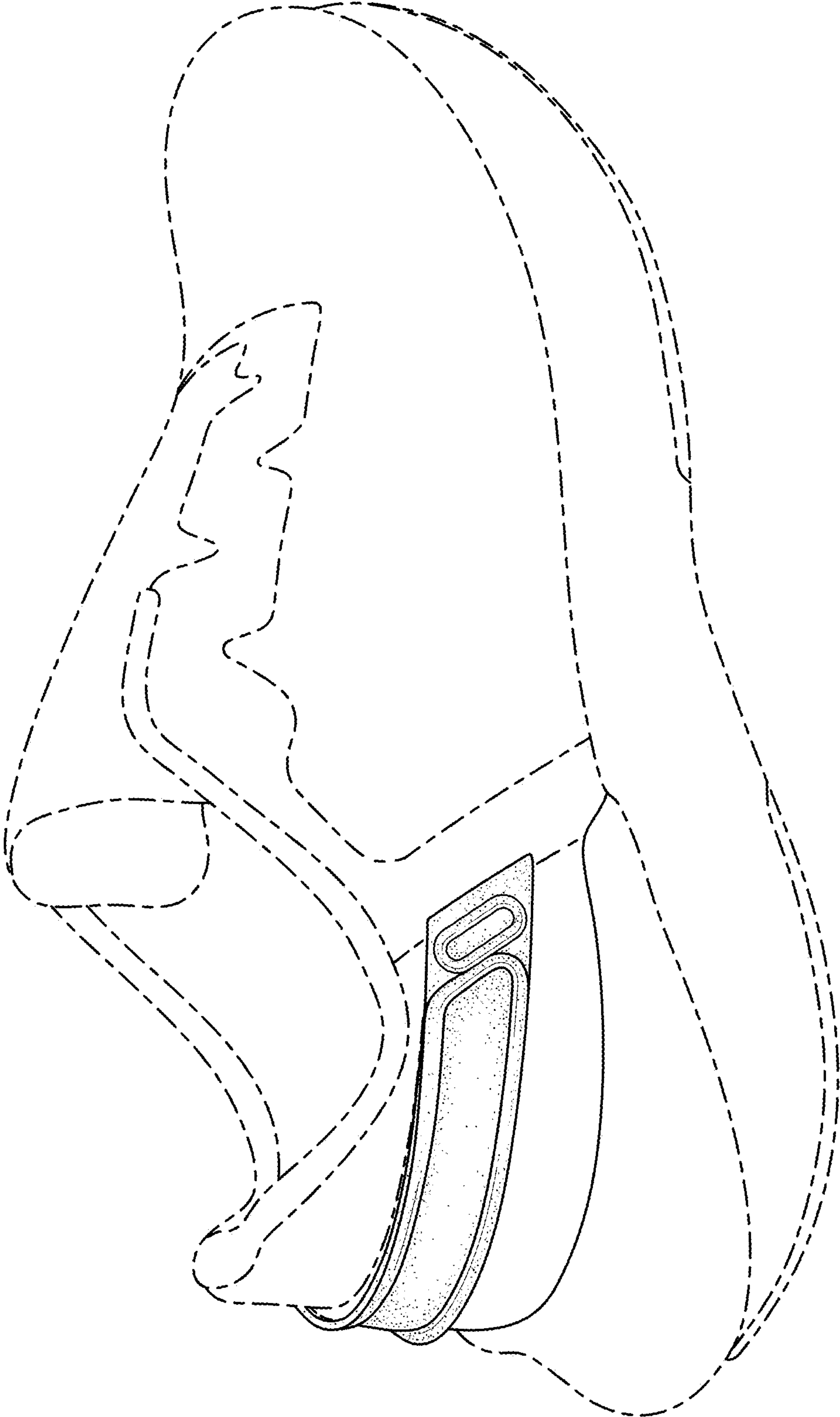


FIG. 6

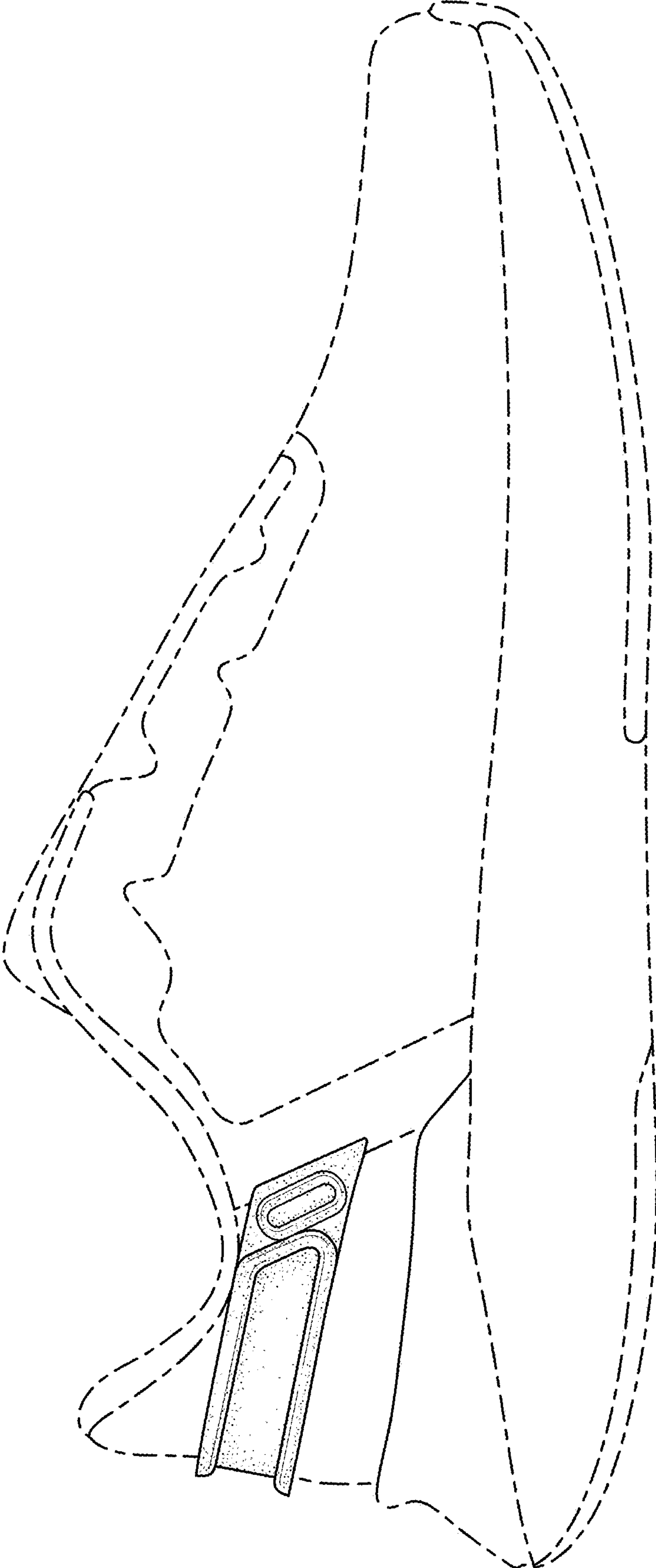


FIG. 7

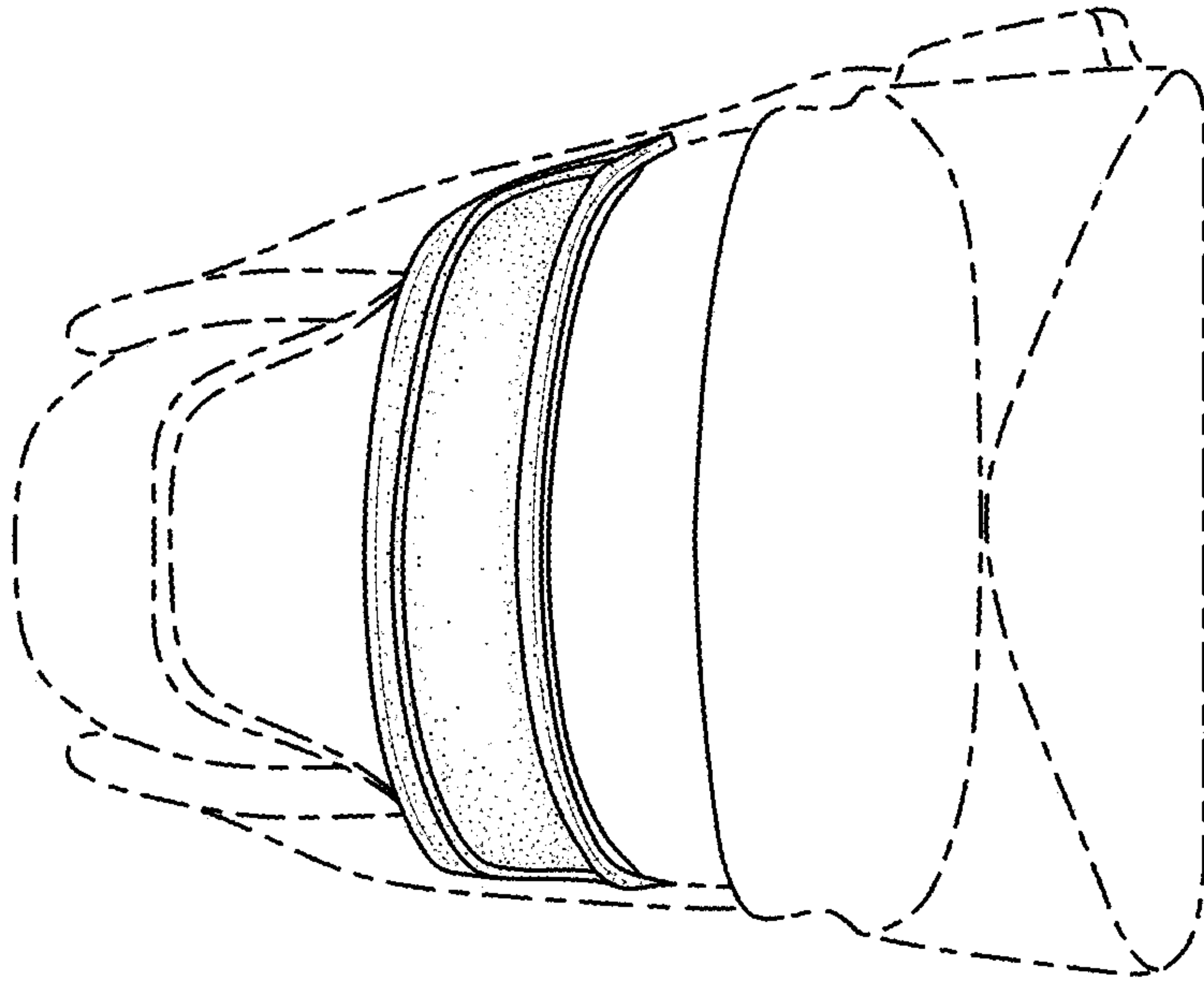


FIG. 8

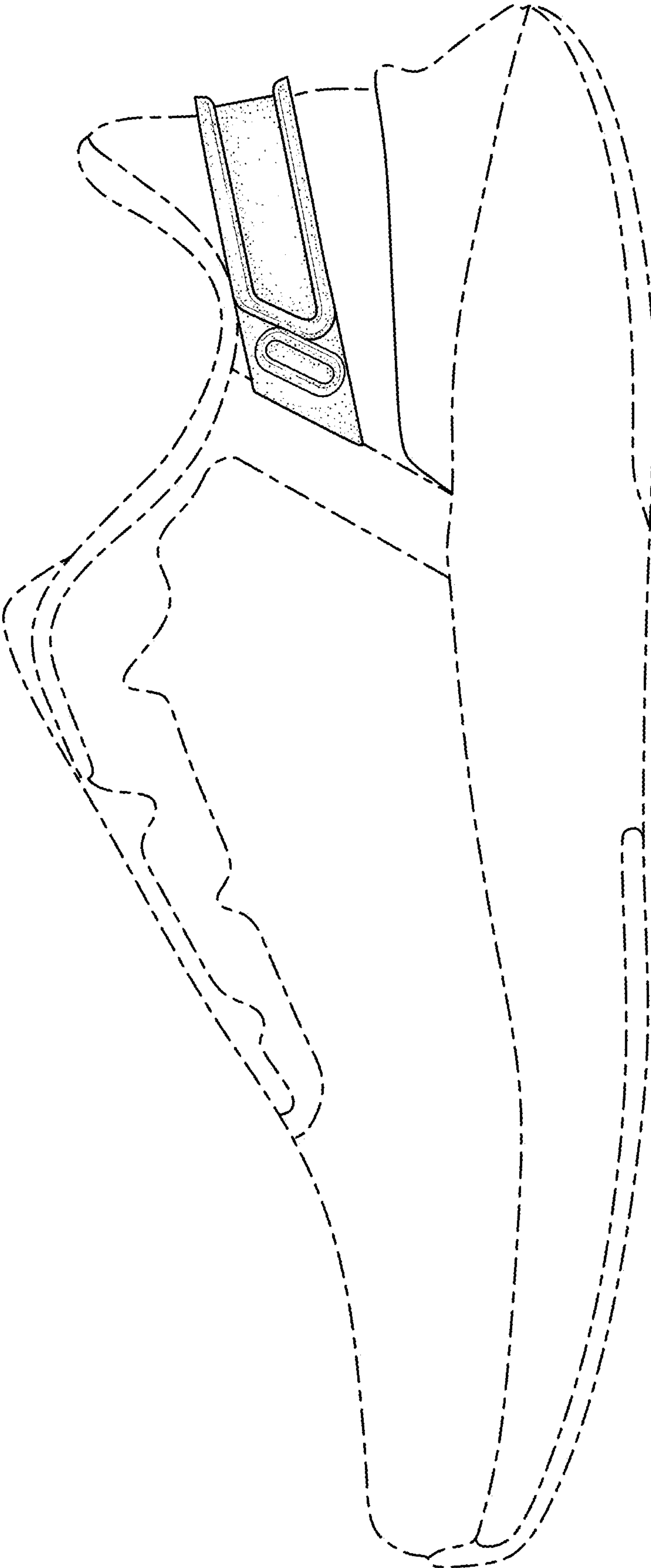


FIG. 9

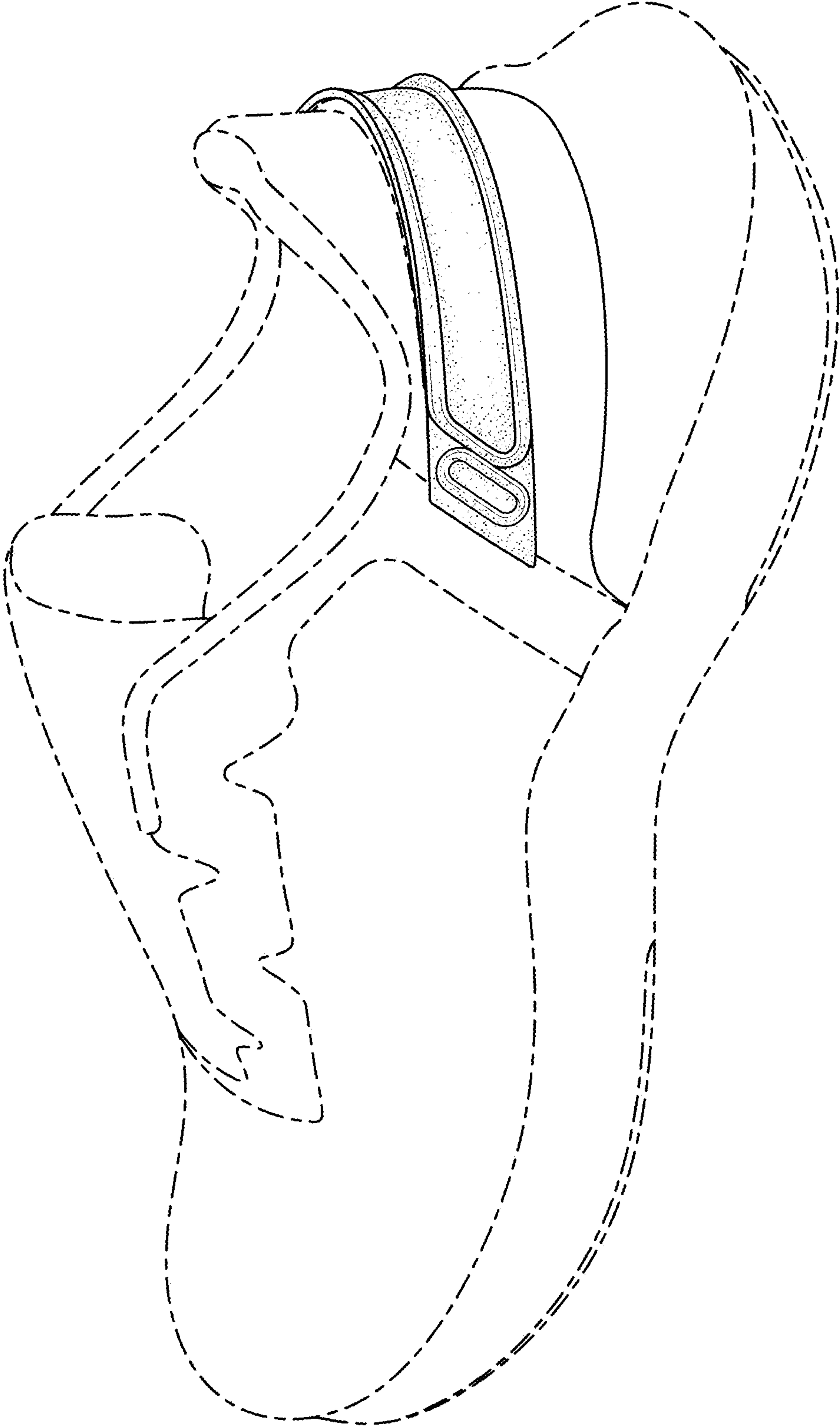


FIG. 10