



US00D927161S

(12) **United States Design Patent** (10) **Patent No.:** **US D927,161 S**
Frain Terras (45) **Date of Patent:** **** Aug. 10, 2021**

(54) **FOOTWEAR UPPER**
(71) Applicant: **Deckers Outdoor Corporation**, Goleta, CA (US)
(72) Inventor: **Helene Anne Frain Terras**, Santa Barbara, CA (US)
(73) Assignee: **Deckers Outdoor Corporation**, Goleta, CA (US)

1,502,559 A * 7/1924 Giblin A43B 3/101
36/17 A
1,663,376 A * 3/1928 Koller A43B 3/101
36/9 R
D138,222 S * 7/1944 Camerle D2/921
D139,147 S * 10/1944 Britton D2/910
D146,929 S * 6/1947 Silver D2/910
D168,744 S * 2/1953 Hiestand D2/924
D227,197 S * 6/1973 Fukuoka D2/910

(Continued)

(**) Term: **15 Years**

FOREIGN PATENT DOCUMENTS

(21) Appl. No.: **29/712,480**

CN 304964897 * 12/2018

(22) Filed: **Nov. 8, 2019**

OTHER PUBLICATIONS

(51) **LOC (13) Cl.** **02-04**

UGG, style "UGG Classic Mini"; on sale or in public use at least as early as Aug. 2006, www.zappos.com/ugg-classic-mini-sand.

(52) **U.S. Cl.**

USPC **D2/970; D2/910**

(Continued)

(58) **Field of Classification Search**

USPC D2/896, 901-905, 909-916, 918, D2/919-922, 923-925, 935, 943, 944, D2/961, 969, 970, 971, 979; 36/83, 84

CPC A43B 23/022; A43B 23/0225; A43B 23/0235; A43B 23/024; A43B 23/027; A43B 23/04; A43B 23/045; A43B 23/047; A43B 23/00; A43B 23/02; A43B 23/0205; A43B 23/021; A43B 23/0215; A43B 3/02; A43B 3/04; A43B 3/06; A43B 3/08; A43B 1/00; A43B 1/02; A43B 1/04; A43B 1/06; A43B 1/08; A43B 1/10; A43B 1/14; A43B 5/00; A43B 5/002; A43B 5/006; A43B 5/04; A43B 5/0401; A43B 5/0405; A43B 5/06; A43B 5/08; A43B 5/10; A43B 5/16; A43B 5/1616; A43B 11/00; A43B 11/02

See application file for complete search history.

Primary Examiner — Elizabeth J Oswecki
Assistant Examiner — Yelizaveta Y Masalimova
(74) *Attorney, Agent, or Firm* — Greer, Burns & Crain, Ltd.

(57) **CLAIM**

The ornamental design for a footwear upper, as shown and described.

DESCRIPTION

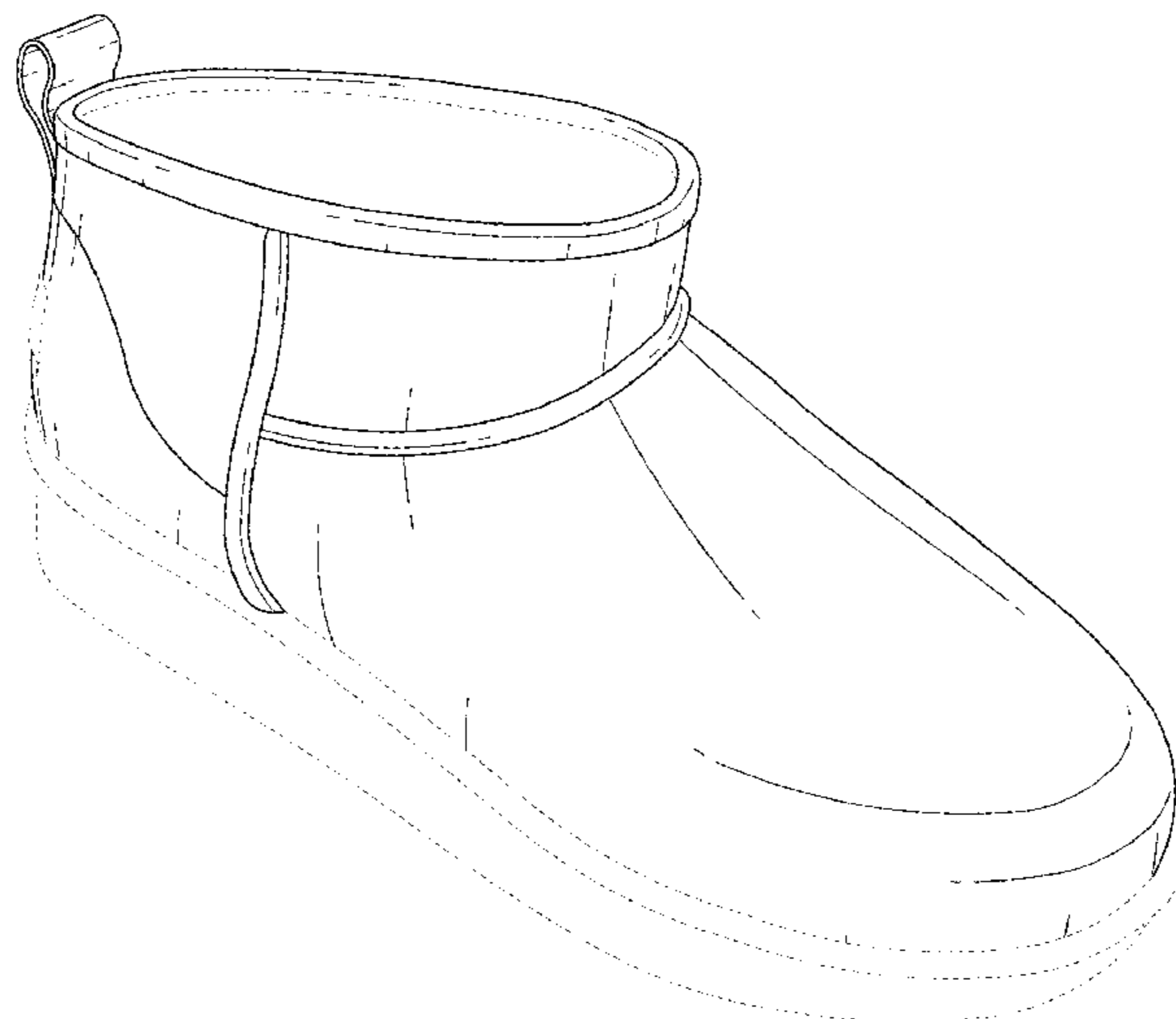
FIG. 1 is a front perspective view of a footwear upper showing my new design;
FIG. 2 is a side elevational view thereof;
FIG. 3 is an opposite side elevational view thereof;
FIG. 4 is a front elevational view thereof;
FIG. 5 is a rear elevational view thereof;
FIG. 6 is a top plan view thereof; and,
FIG. 7 is a bottom plan view thereof.
The broken lines in FIGS. 1-7 represent portions of the footwear that form no part of the claimed design.

(56) **References Cited**

U.S. PATENT DOCUMENTS

D33,991 S * 1/1901 Watkinson D2/910
1,104,357 A * 7/1914 Hassel A43B 3/14
36/11

1 Claim, 3 Drawing Sheets



(56)

References Cited

U.S. PATENT DOCUMENTS

D256,178	S *	8/1980	Rigon	A43B 3/101
				D2/910
D319,332	S *	8/1991	Itzkowitz	D2/910
D529,269	S *	10/2006	Belley	D2/970
D561,983	S *	2/2008	FitzGerald	D2/909
D608,987	S *	2/2010	Taplin	D2/909
D612,587	S *	3/2010	Wang	D2/910
D640,450	S *	6/2011	Exton	A43B 3/02
				D2/910
D648,928	S *	11/2011	Flenley	D2/910
D668,026	S *	10/2012	Zacharias	D2/910
D704,426	S *	5/2014	Dillenbeck	D2/970
D755,494	S *	5/2016	Todd	D2/970
D768,974	S *	10/2016	MacIntyre	D2/970
D772,548	S *	11/2016	Radabaugh	D2/970
D774,736	S *	12/2016	Shen	D2/924
D790,186	S *	6/2017	Chung	D2/970
D861,314	S *	10/2019	Kim	D2/970
D861,316	S *	10/2019	Prochmann	D2/972
D863,737	S *	10/2019	Goetgeluk	D2/909
2011/0225849	A1 *	9/2011	Zubyk	A43B 3/02
				36/136
2017/0164681	A1 *	6/2017	Frank	A43B 3/101
2018/0103728	A1 *	4/2018	Koo	A43D 8/16

OTHER PUBLICATIONS

UGG, style “UGG Classic Mini II”; On sale or in public use at least as early as Dec. 2017, <https://www.zappos.com/p/ugg-classic-mini-ii/product/8733926>.

* cited by examiner

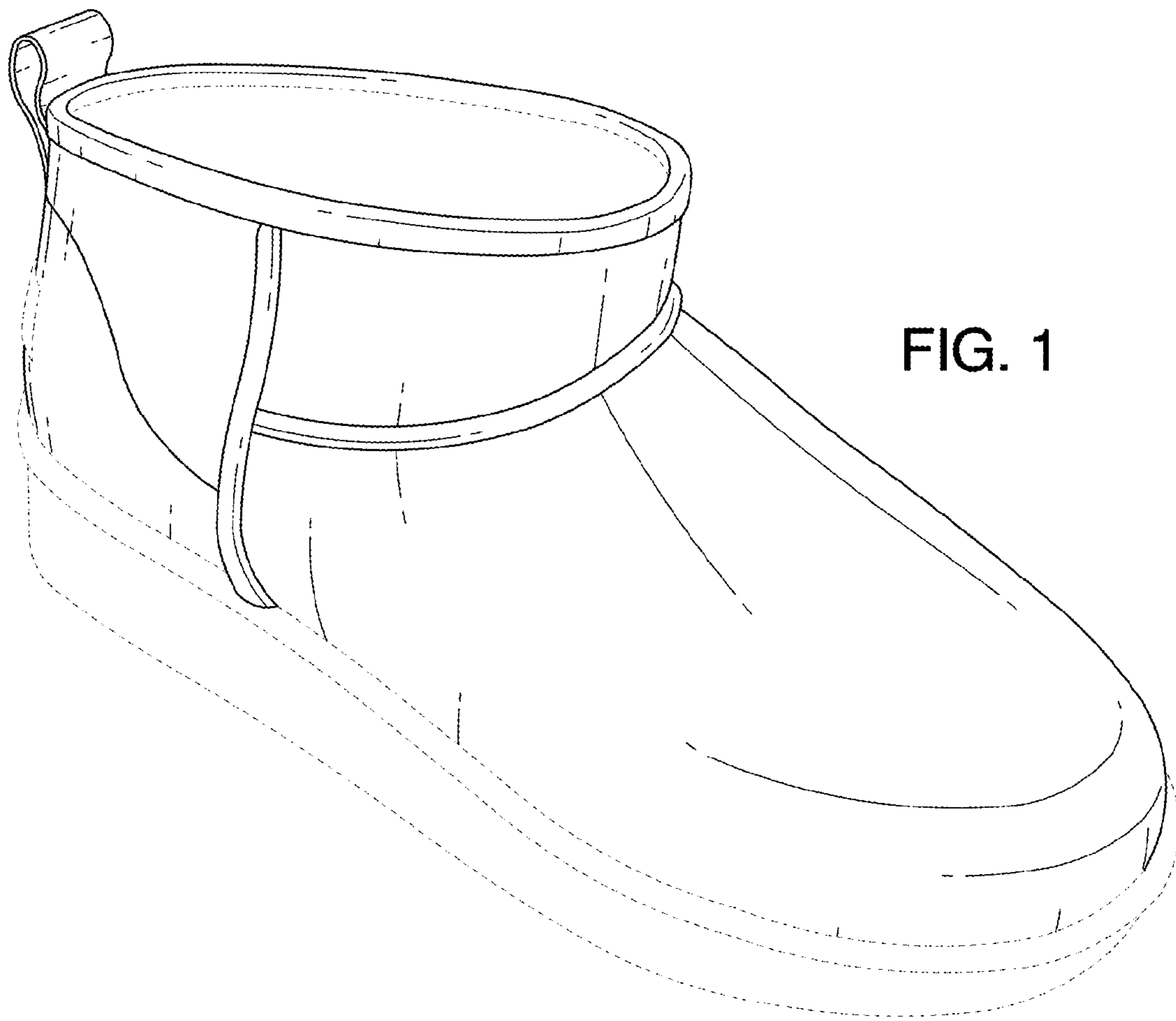


FIG. 1

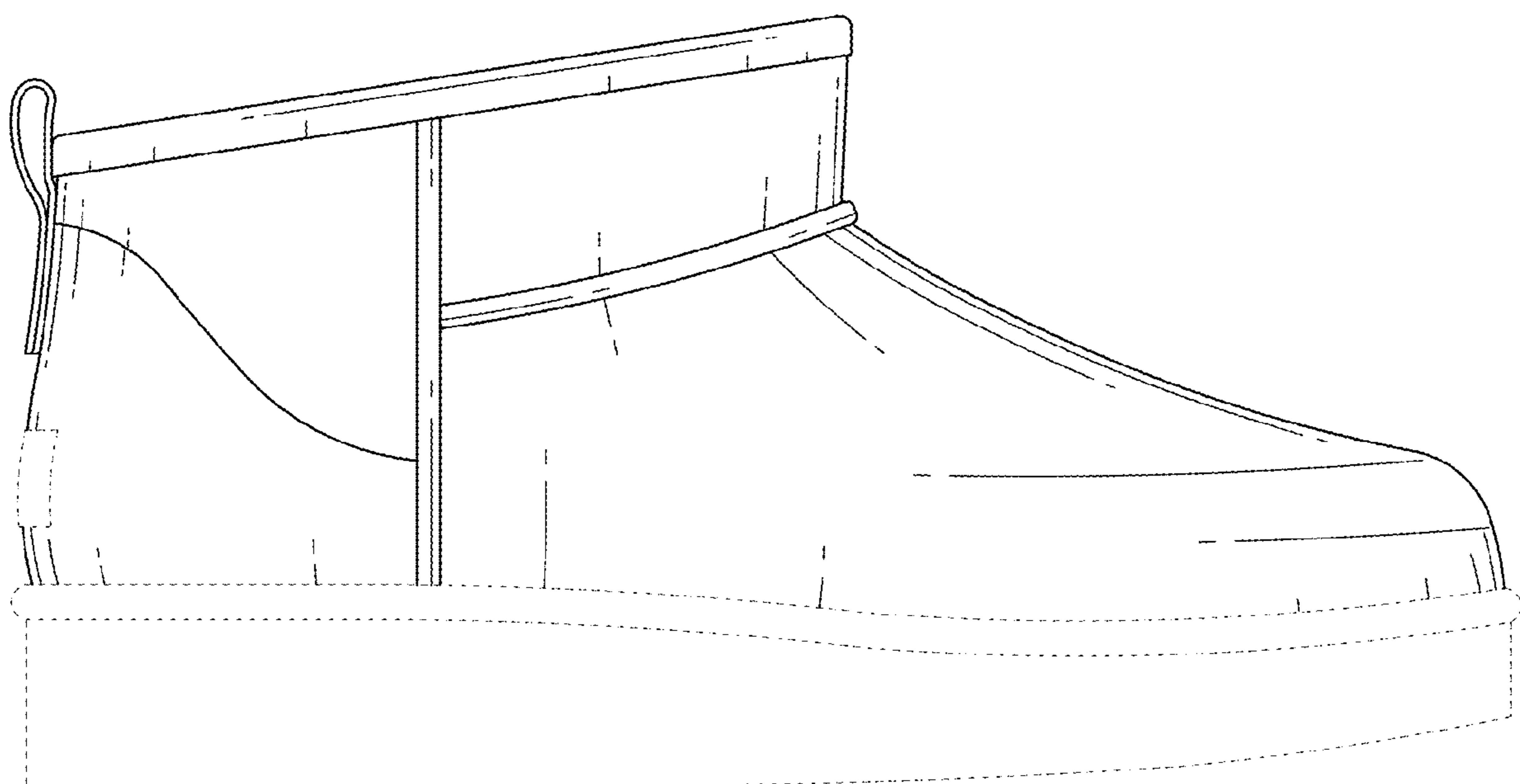


FIG. 2

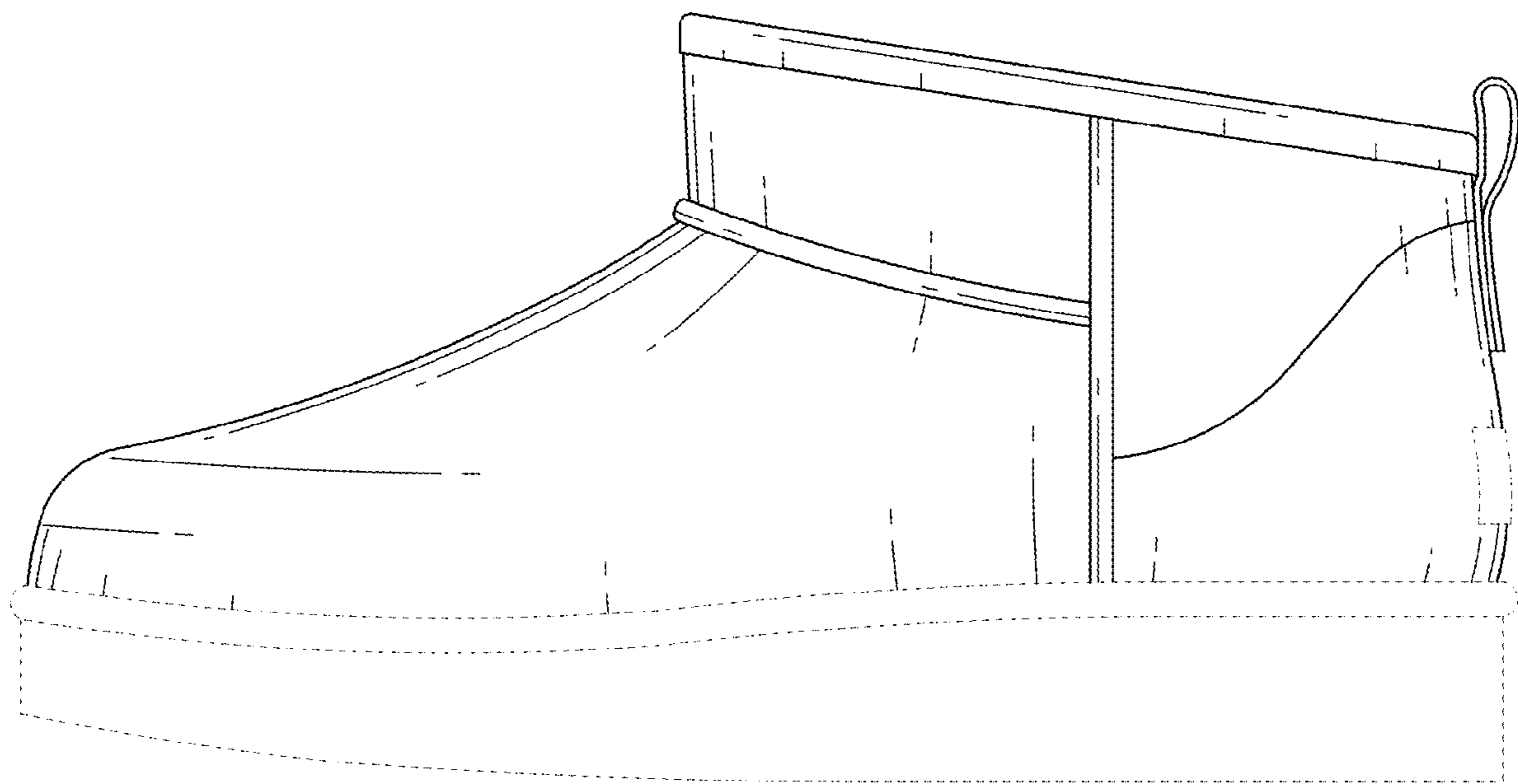


FIG. 3

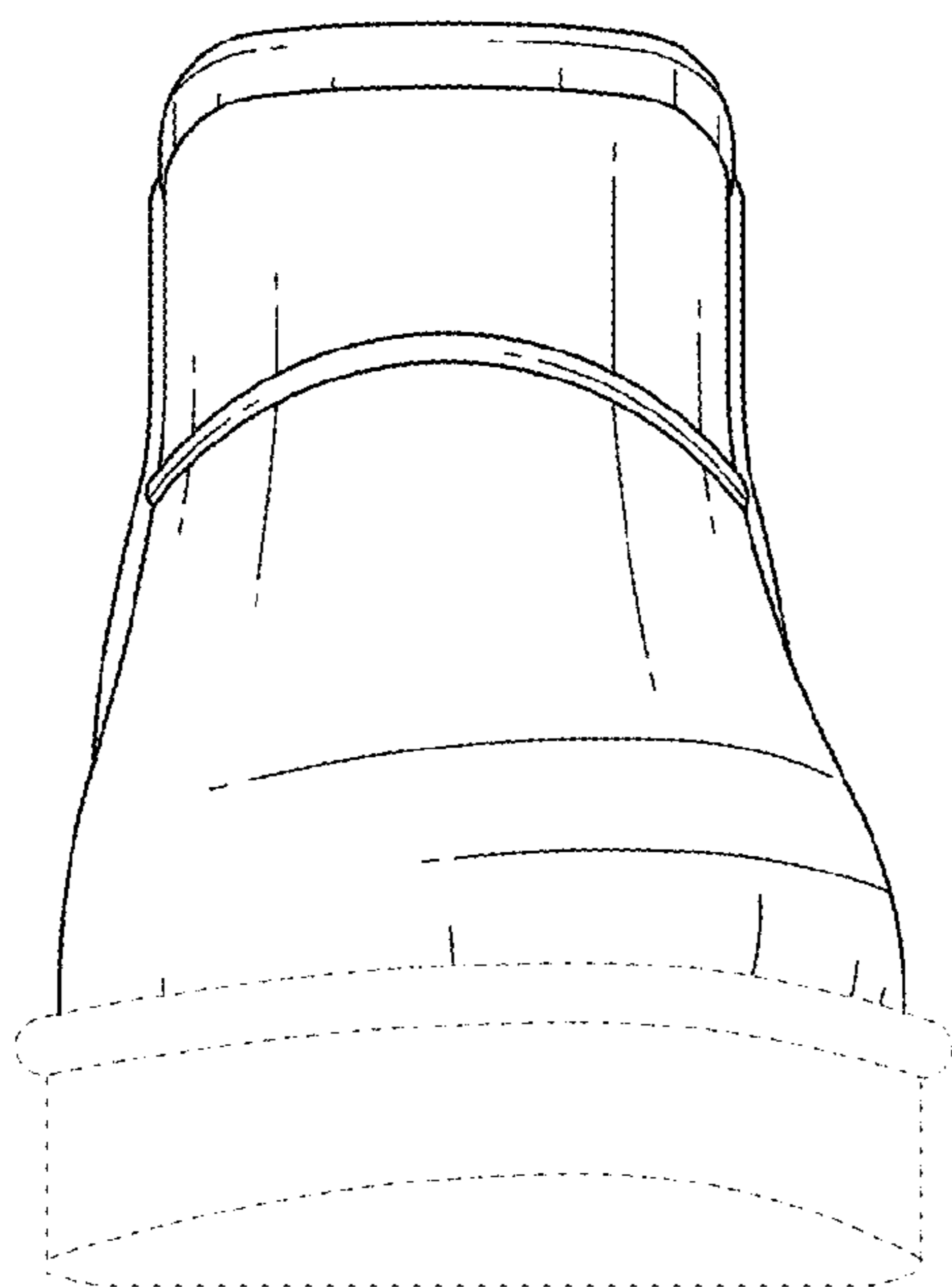


FIG. 4

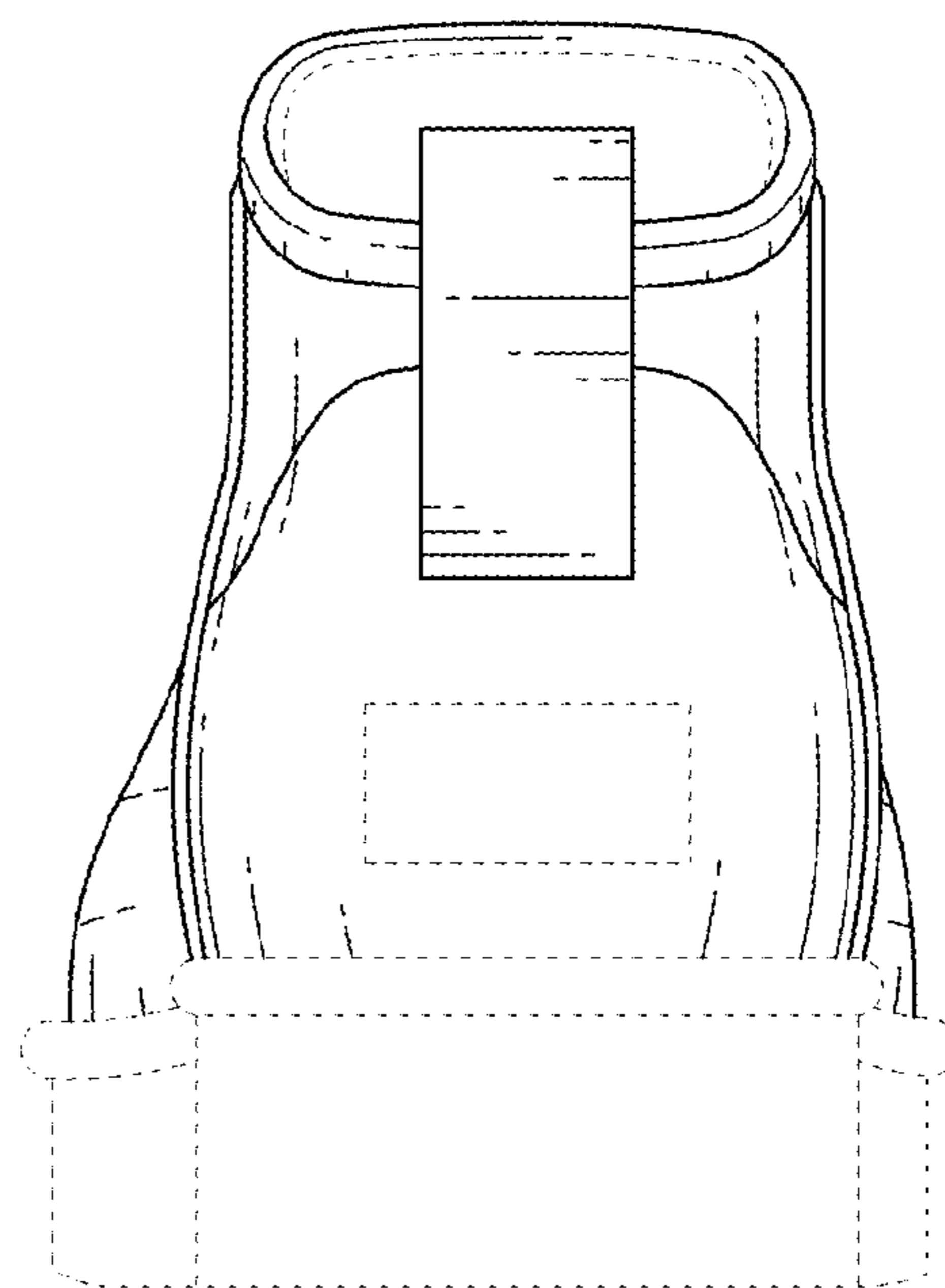


FIG. 5

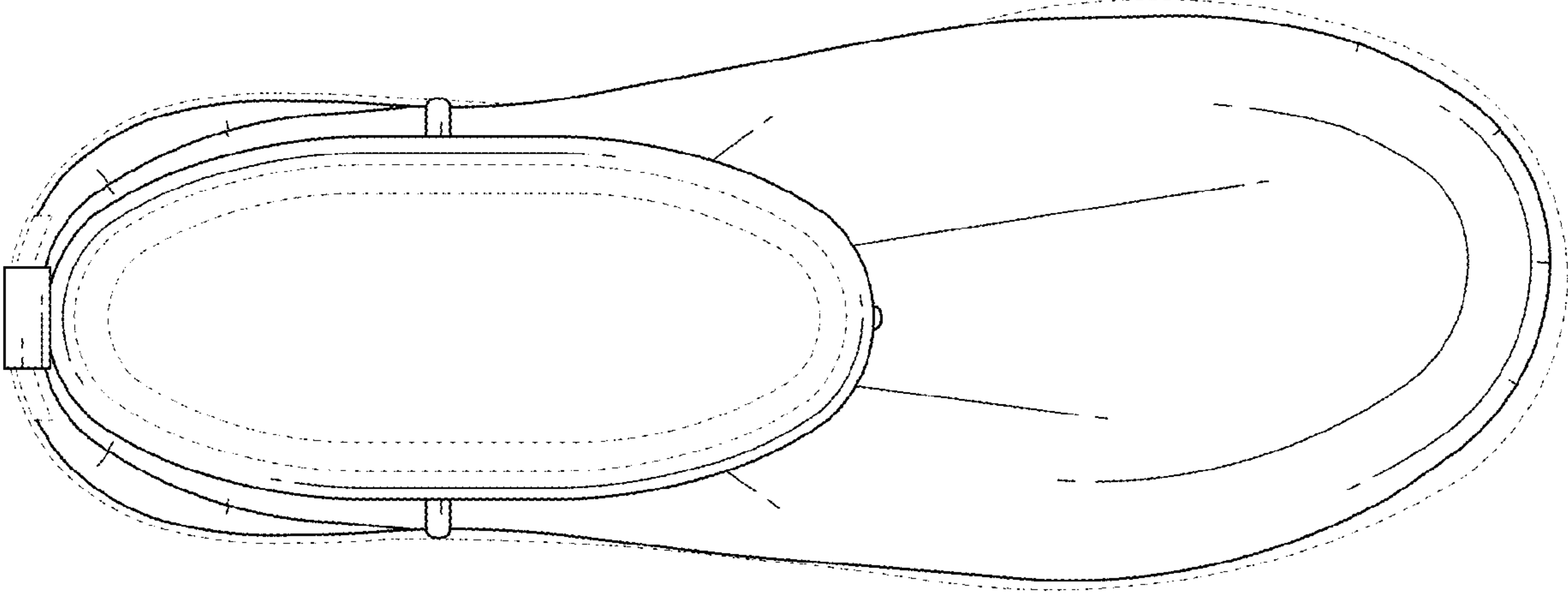


FIG. 6

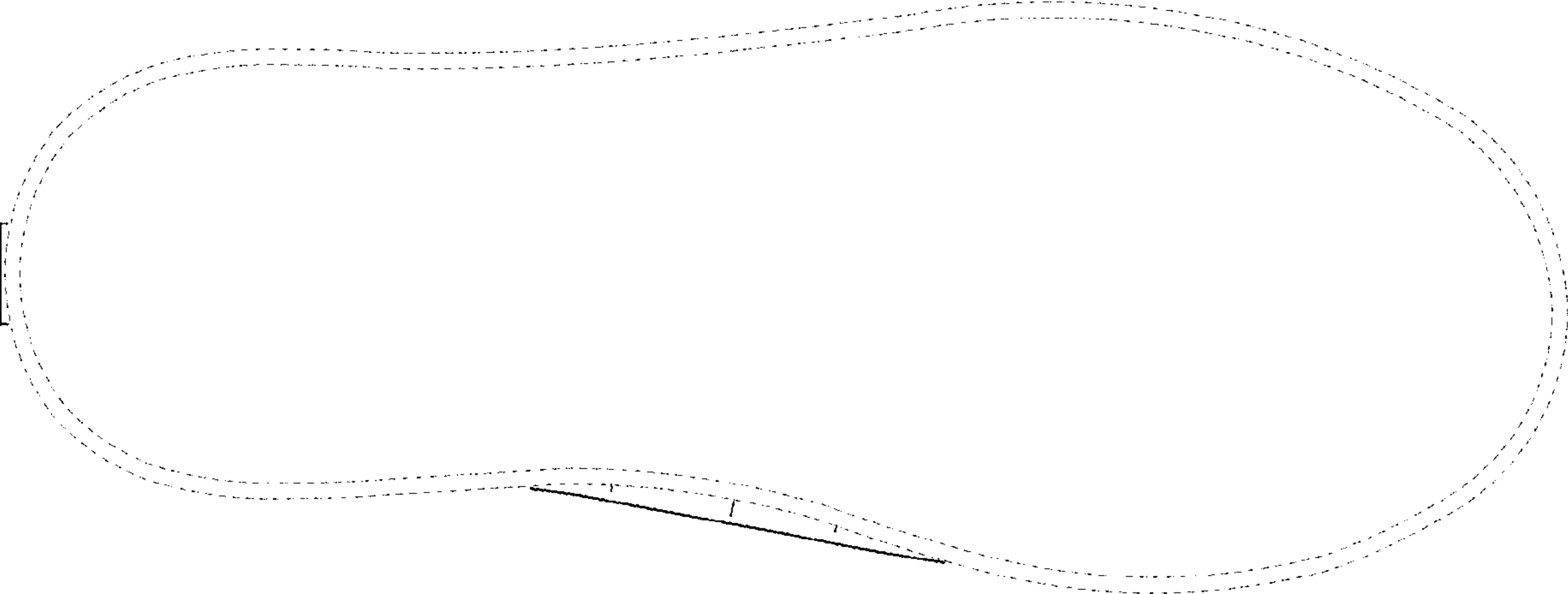


FIG. 7