



US00D927160S

(12) **United States Design Patent** (10) **Patent No.:** **US D927,160 S**
Kim (45) **Date of Patent:** **** Aug. 10, 2021**

(54) **FOOTWEAR UPPER**
(71) Applicant: **Deckers Outdoor Corporation**, Goleta, CA (US)
(72) Inventor: **Esther Kim**, Santa Barbara, CA (US)
(73) Assignee: **Deckers Outdoor Corporation**, Goleta, CA (US)
(**) Term: **15 Years**

D127,994 S 7/1941 Hard
D139,147 S * 10/1944 Britton D2/910
D190,222 S * 5/1961 Pool D2/910
D227,197 S * 6/1973 Fukuoka D2/910
D256,178 S * 8/1980 Rigon D2/910
D270,205 S * 8/1983 Casetta D2/912
D319,332 S * 8/1991 Itzkowitz D2/910
D561,983 S * 2/2008 FitzGerald D2/909
D572,894 S * 7/2008 Le D2/970
D574,599 S * 8/2008 Belley D2/970
D608,987 S * 2/2010 Taplin A43D 8/16
D2/909

(Continued)

(21) Appl. No.: **29/712,478**

(22) Filed: **Nov. 8, 2019**

(51) **LOC (13) Cl.** **02-04**

(52) **U.S. Cl.**
USPC **D2/970; D2/910**

(58) **Field of Classification Search**
USPC D2/896, 901–905, 909–916, 918, D2/919–922, 923–925, 935, 943, 944, D2/961, 969, 970, 971, 979; 36/83, 84
CPC A43B 23/022; A43B 23/0225; A43B 23/0235; A43B 23/024; A43B 23/027; A43B 23/04; A43B 23/045; A43B 23/047; A43B 23/00; A43B 23/02; A43B 23/0205; A43B 23/021; A43B 23/0215; A43B 3/02; A43B 3/04; A43B 3/06; A43B 3/08; A43B 1/00; A43B 1/02; A43B 1/04; A43B 1/06; A43B 1/08; A43B 1/10; A43B 1/14; A43B 5/00; A43B 5/002; A43B 5/006; A43B 5/04; A43B 5/0401; A43B 5/0405; A43B 5/06; A43B 5/08; A43B 5/10; A43B 5/16; A43B 5/1616

See application file for complete search history.

(56) **References Cited**

U.S. PATENT DOCUMENTS

D33,991 S * 1/1901 Watkinson D2/910
D93,838 S * 11/1934 Miller D2/910
D122,467 S 9/1940 Mancik et al.

OTHER PUBLICATIONS

Amazon.com UGG Women’s Classic Femme Mini Boot, announced Jun. 24, 2019 [online], [site visited Apr. 15, 2021]. Available from internet, URL: <https://tinyurl.com/5dzyy99w> (Year: 2019).*

(Continued)

Primary Examiner — Elizabeth J Oswecki
Assistant Examiner — Yelizaveta Y Masalimova
(74) *Attorney, Agent, or Firm* — Greer, Burns & Crain, Ltd.

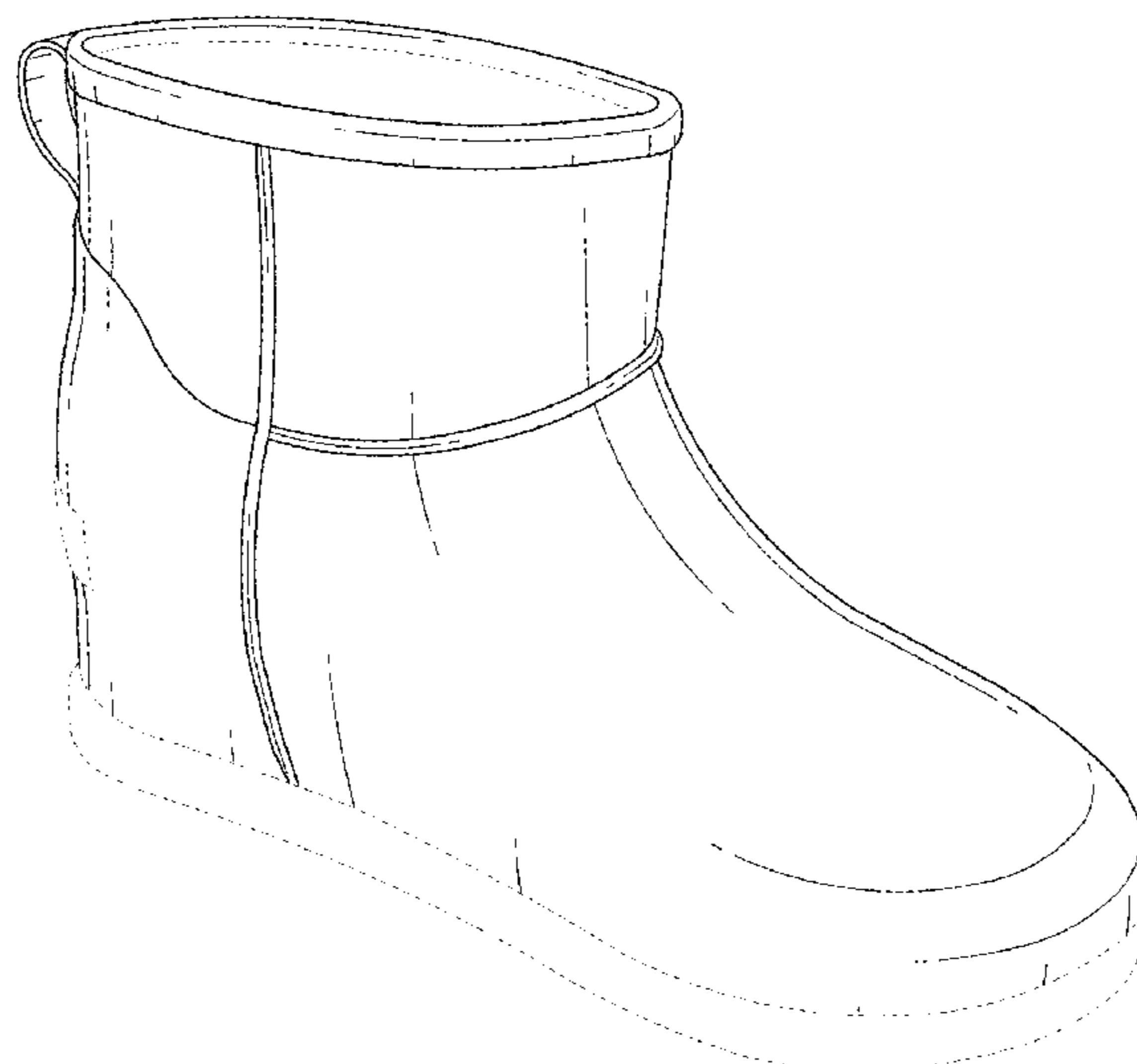
(57) **CLAIM**

The ornamental design for a footwear upper, as shown and described.

DESCRIPTION

FIG. 1 is a front perspective view of a footwear upper showing my new design;
FIG. 2 is a side elevational view thereof;
FIG. 3 is an opposite side elevational view thereof;
FIG. 4 is a front elevational view thereof;
FIG. 5 is a rear elevational view thereof;
FIG. 6 is a top plan view thereof; and,
FIG. 7 is a bottom plan view thereof.
The broken lines in FIGS. 1-7 represent portions of the footwear that form no part of the claimed design.

1 Claim, 3 Drawing Sheets



(56)

References Cited

U.S. PATENT DOCUMENTS

D612,587 S * 3/2010 Wang A43B 3/02
D2/910
D630,832 S * 1/2011 Ng D2/970
D640,450 S * 6/2011 Exton D2/910
D648,928 S * 11/2011 Flenley D2/910
D668,026 S * 10/2012 Zacharias D2/910
D704,426 S * 5/2014 Dillenbeck D2/970
D707,944 S 7/2014 Spring
D741,579 S * 10/2015 McMillan D2/910
D755,494 S * 5/2016 Todd D2/970
D772,548 S * 11/2016 Radabaugh D2/970
D774,736 S * 12/2016 Shen D2/924
D787,800 S 5/2017 Spring
D790,186 S * 6/2017 Chung D2/970
D838,945 S 1/2019 Spring
D861,314 S * 10/2019 Kim D2/970
D861,316 S * 10/2019 Prochmann D2/972
2011/0225849 A1 * 9/2011 Zubyk A43B 3/02
36/136
2018/0103728 A1 * 4/2018 Koo A43D 8/16

OTHER PUBLICATIONS

UGG, style “Pax Wedge Bootie”, on sale or published at least as early as Oct. 31, 2018, <https://www.macys.com/shop/product/ugg-womens-pax-wedge-booties?ID=6200911>.

Compilation of covered wedge booties from brands: Frye, Miz Mooz, Vince Camuto and Sole Society; on sale or /published at least as early as Nov. 30, 2014 <https://www.amazon.com/FYRE-Womens-Carson-Wedge-Bootie/dp/B00TXDFD7A> https://shop.nordstrom.com/s/miz-mooz-west-boot/3484676?siteid=QFGLnEoIOWg-LSQUIQKSiA8YeNMK5qV2Vg&contextualcategoryid=0&fashionColor=Brown&origin=keywordsearch-personalizedsort&resultback=278&utm_source=rakuten&utm_medium=affiliate&utm_campaign=QFGLnEoIOWg&utm_content=1&utm_term=593440&utm_channel=affiliate_ret_p&sp_source=rakuten&sp_campaign=QFGLnEoIOWg <https://www.lollipuff.com/blog/106/vince-camuto-obsession-the-perfect-bootie-review> <https://www.qvc.com/Sole-Society-Suede-Wedge-Boots-wLace-Detail---Walker-product.A259495.html>.

* cited by examiner

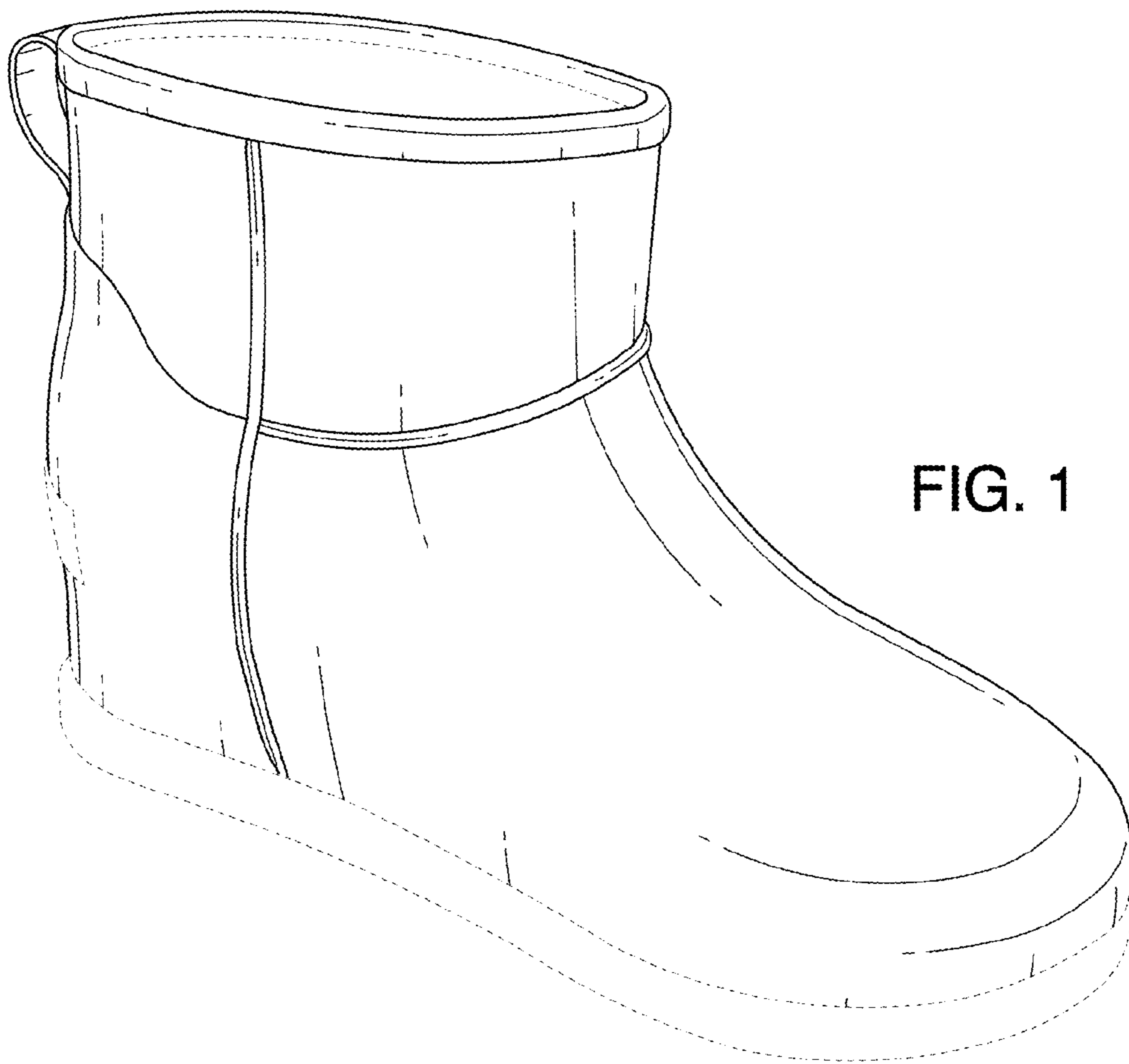


FIG. 1

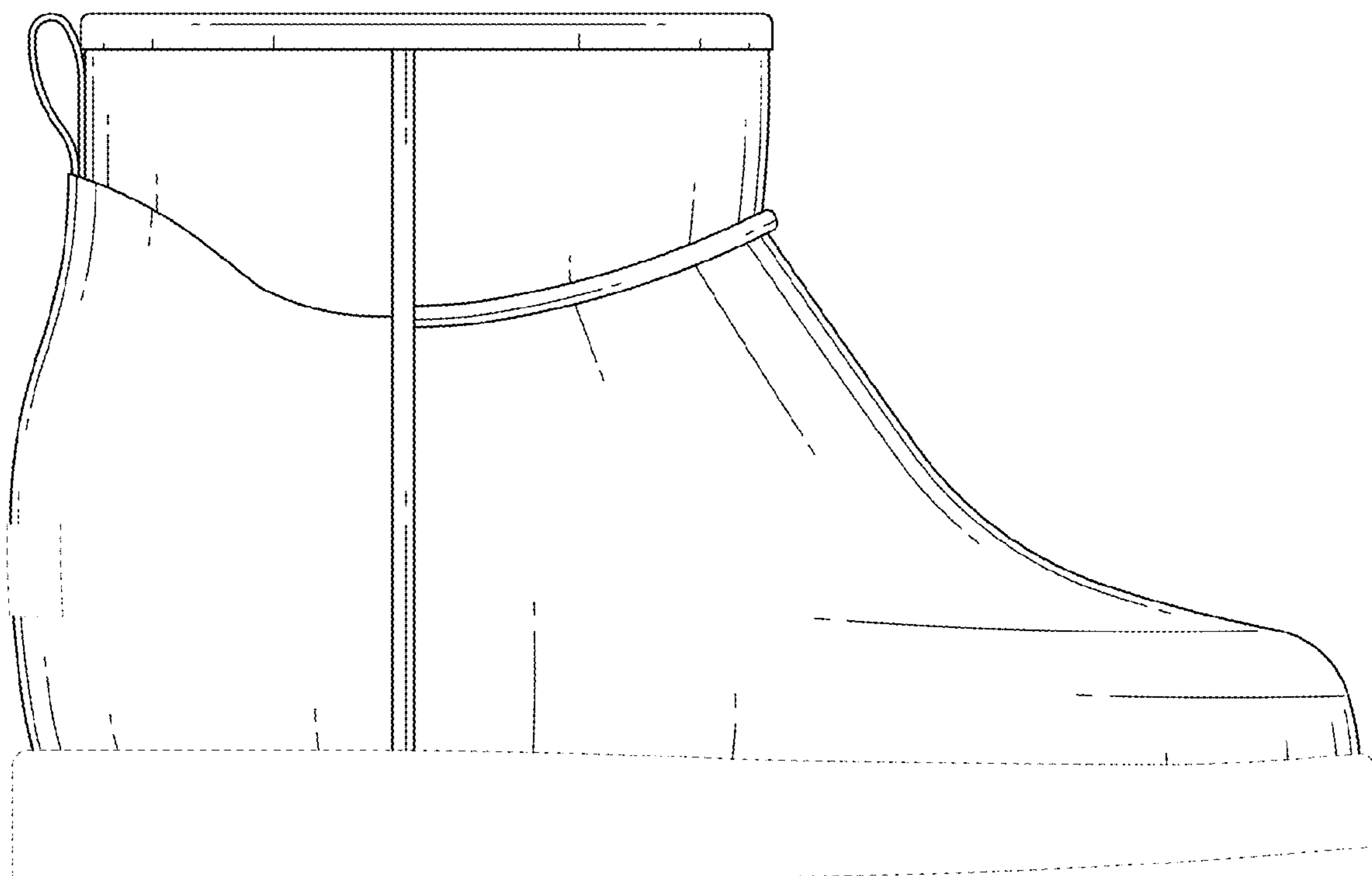


FIG. 2

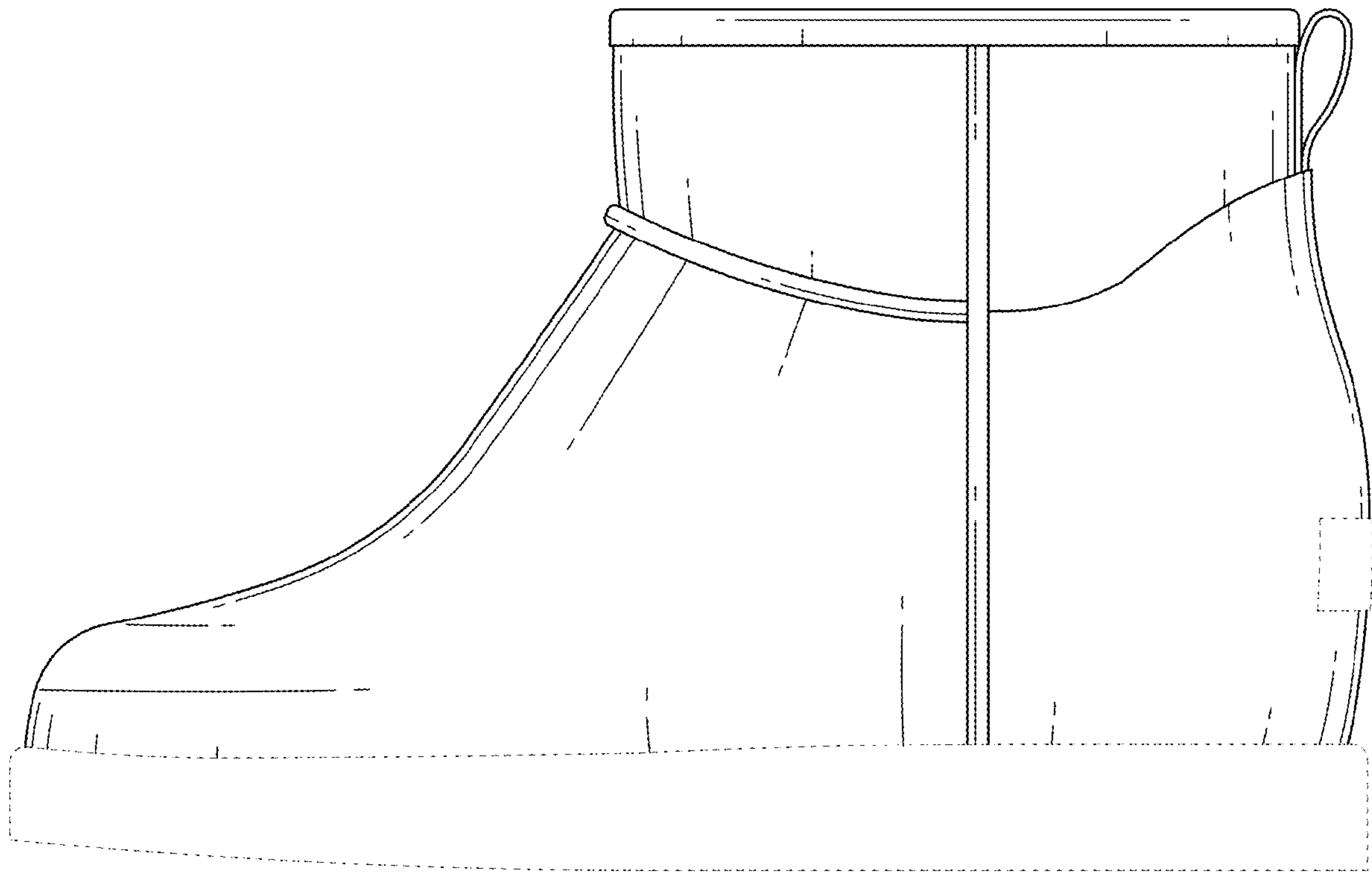


FIG. 3

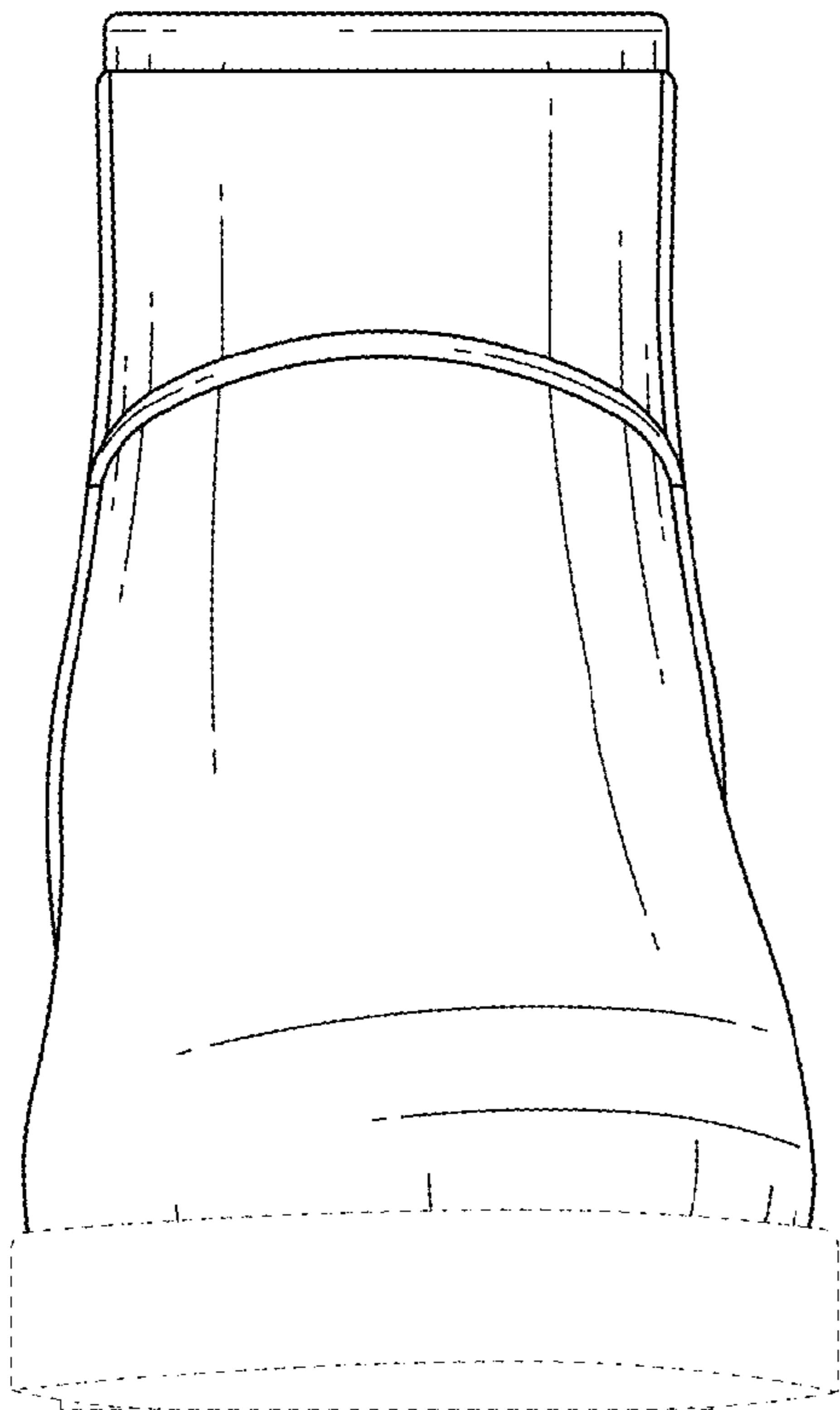


FIG. 4

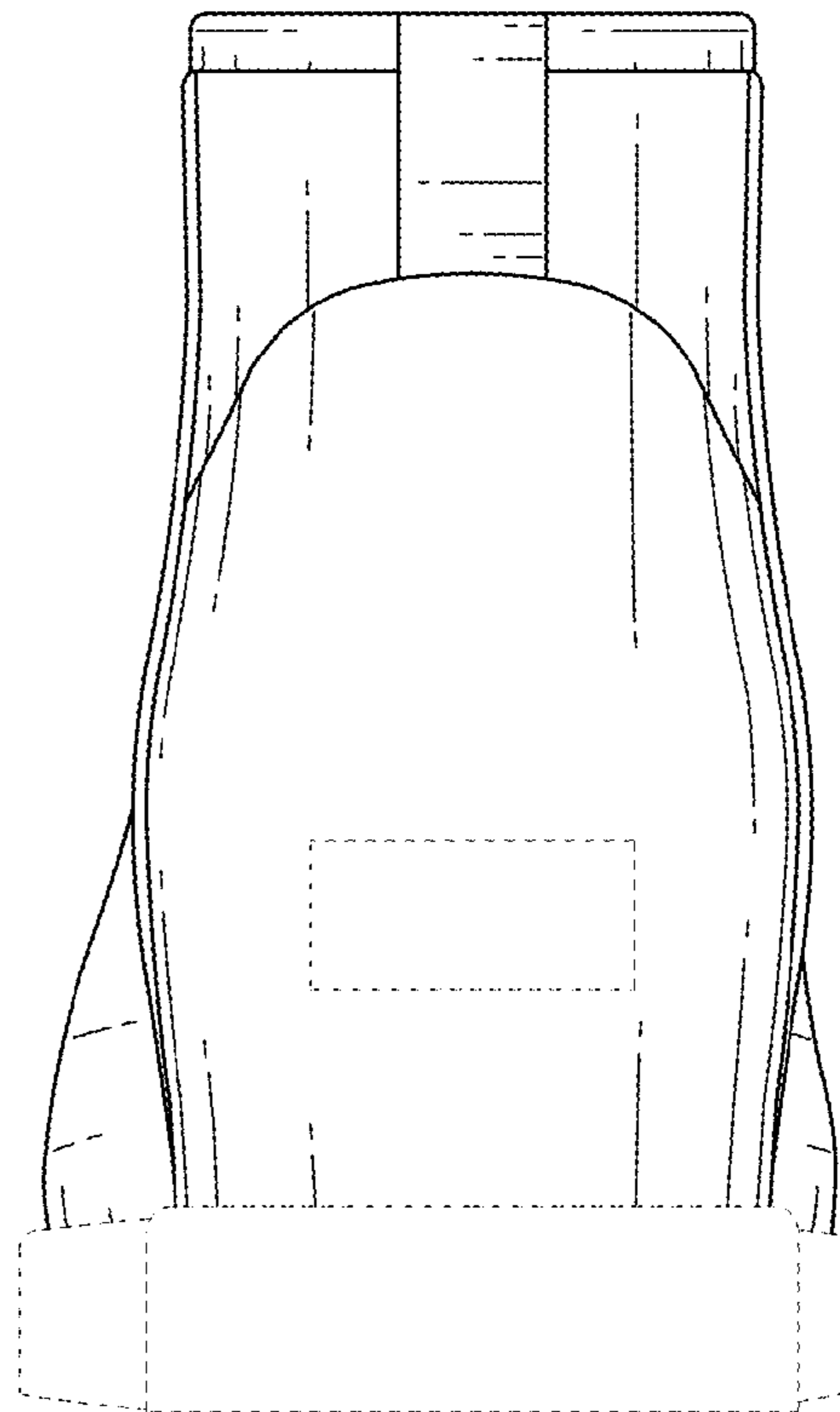


FIG. 5

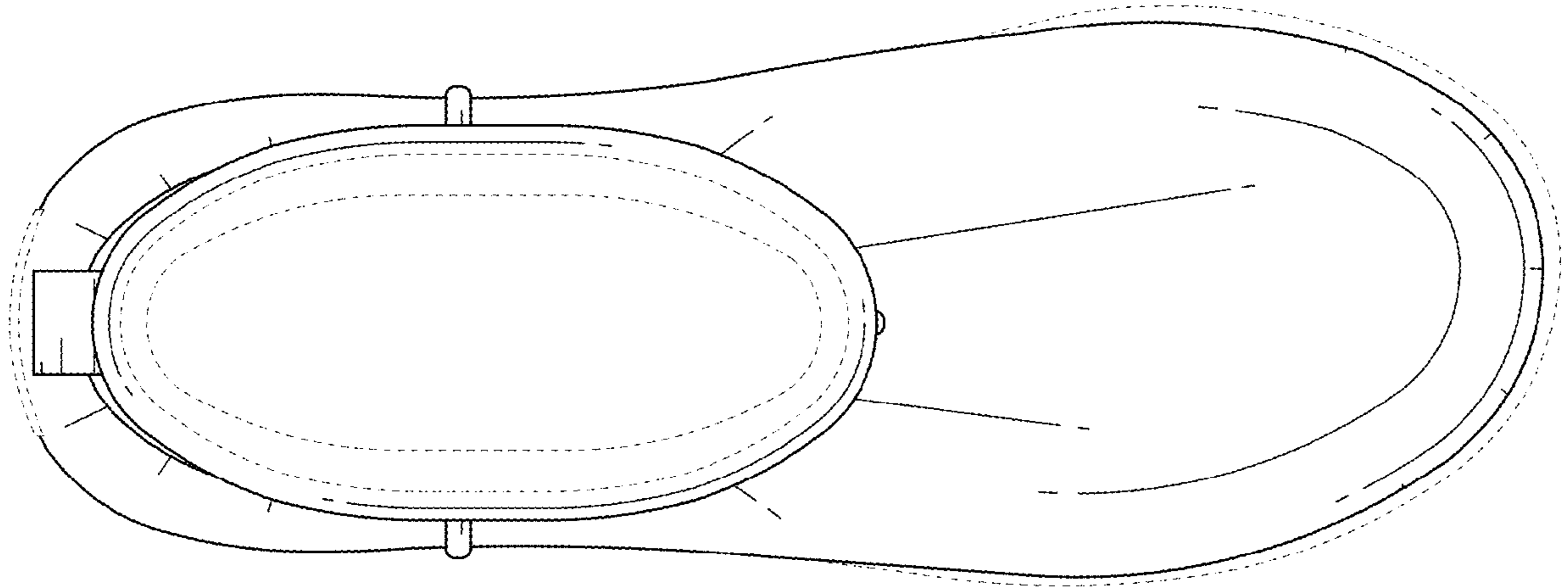


FIG. 6

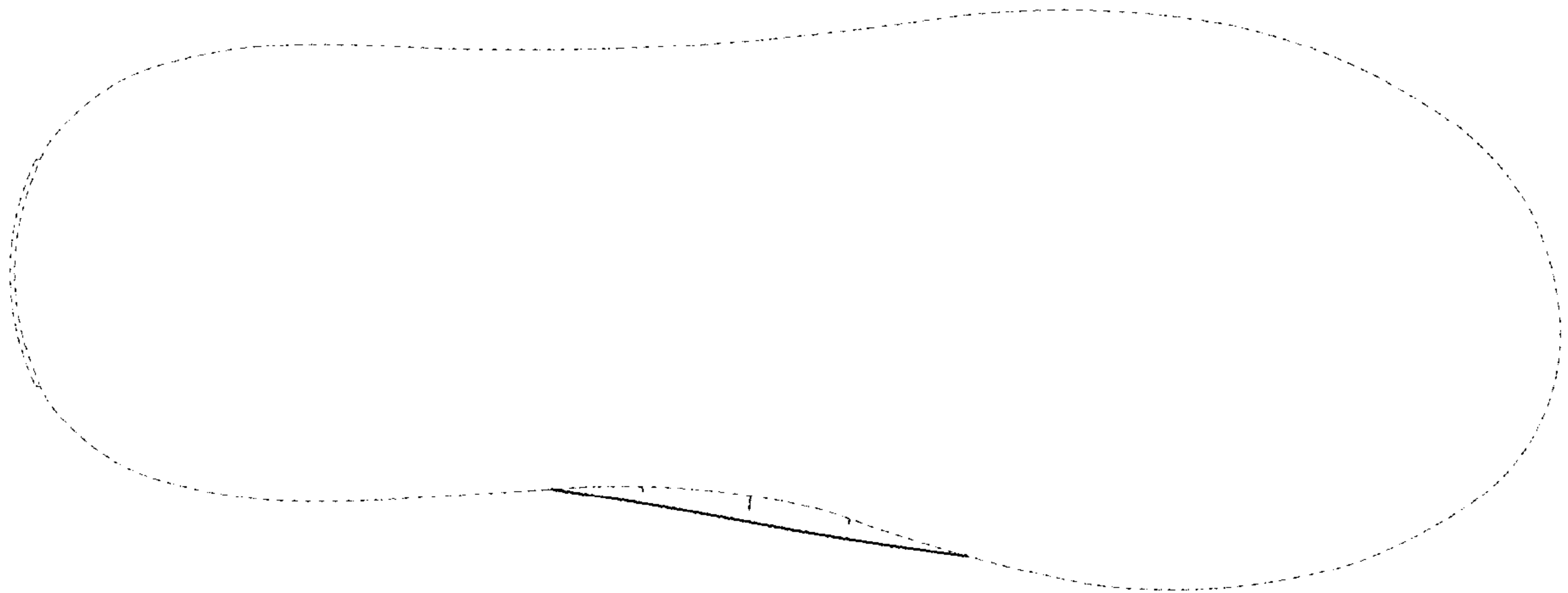


FIG. 7