



US00D927139S

(12) **United States Design Patent** (10) **Patent No.:** **US D927,139 S**  
**Uruburo** (45) **Date of Patent:** **\*\* Aug. 10, 2021**

(54) **BIB**

(71) Applicant: **Edgar Alexander Uruburo**, Columbia, MD (US)

(72) Inventor: **Edgar Alexander Uruburo**, Columbia, MD (US)

(\*\*) Term: **15 Years**

(21) Appl. No.: **29/654,276**

(22) Filed: **Jun. 22, 2018**

(51) **LOC (13) Cl.** ..... **02-02**

(52) **U.S. Cl.**  
USPC ..... **D2/861**

(58) **Field of Classification Search**  
USPC ..... D2/860-861, 600  
CPC ..... A41B 13/10; A41B 13/005; A41B 13/08;  
A41B 13/1272; A41B 13/1263; A41D  
2300/324  
See application file for complete search history.

(56) **References Cited**

**U.S. PATENT DOCUMENTS**

3,488,773	A *	1/1970	Stemmer	.....	A41B 13/10 2/52
5,669,770	A *	9/1997	Fisher	.....	A41B 13/10 2/49.1
D611,682	S *	3/2010	Cutler	.....	D2/860
D673,757	S	1/2013	Uruburo		
D682,511	S	5/2013	Uruburo		
D715,030	S *	10/2014	Paulsen	.....	D2/861
D741,578	S	10/2015	Uruburo		
D755,482	S *	5/2016	Bereng	.....	D2/861
D781,530	S *	3/2017	Uruburo	.....	D2/861
2008/0268403	A1 *	10/2008	Ho	.....	A41B 13/10 433/137

\* cited by examiner

*Primary Examiner* — Kevin K Rudzinski

*Assistant Examiner* — J. Thorn, Sr.

(74) *Attorney, Agent, or Firm* — Gunther J. Evanina; Butzel Long, P.C.

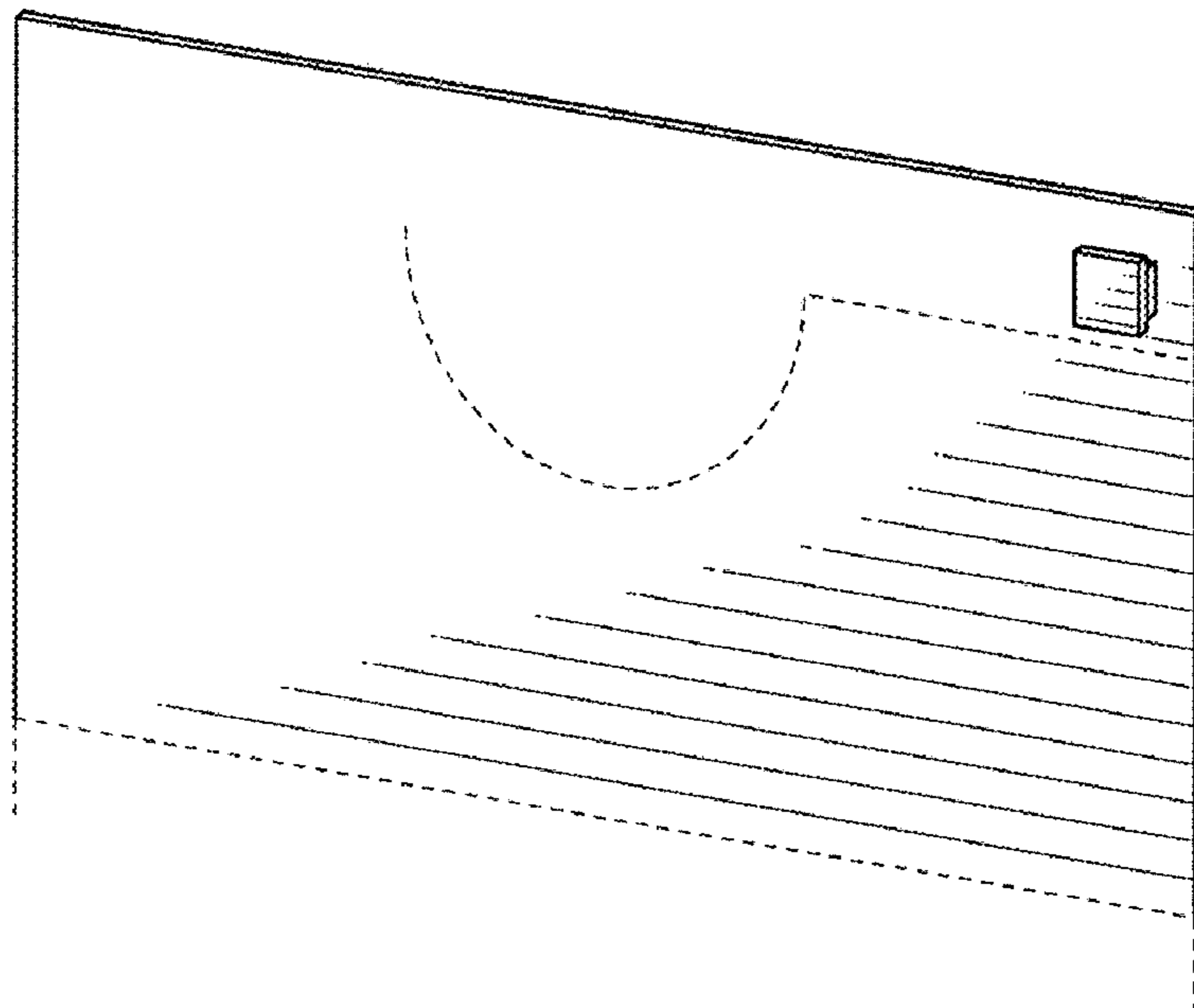
(57) **CLAIM**

I claim the ornamental design for a bib, as shown and described.

**DESCRIPTION**

FIG. 1 is a front perspective view of the new bib design; FIG. 2 is a left side view of the bib of FIG. 1; FIG. 3 is a right side view of the bib of FIG. 1; FIG. 4 is a front view of the bib of FIG. 1; FIG. 5 is a back view of the bib of FIG. 1; FIG. 6 is a top view of the bib of FIG. 1, the bottom view being a mirror image of the top view; FIG. 7 is a front perspective view of a second embodiment of the new bib design; FIG. 8 is a left side view of the bib of FIG. 7; FIG. 9 is a right side view of the bib of FIG. 7; FIG. 10 is a front view of the bib of FIG. 7; FIG. 11 is a back view of the bib of FIG. 7; and, FIG. 12 is a top view of the bib of FIG. 7, the bottom view being a mirror image of the top view. The broken lines on the bib shown in the drawing figures represent perforations and are not part of the original design. The bib is shown with a symbolic break in its height at the bottom. The appearance of any portion of the bib below the break line forms no part of the claimed design. The design includes embodiments that are mirror symmetrical to those illustrated in FIGS. 1-12.

**1 Claim, 4 Drawing Sheets**



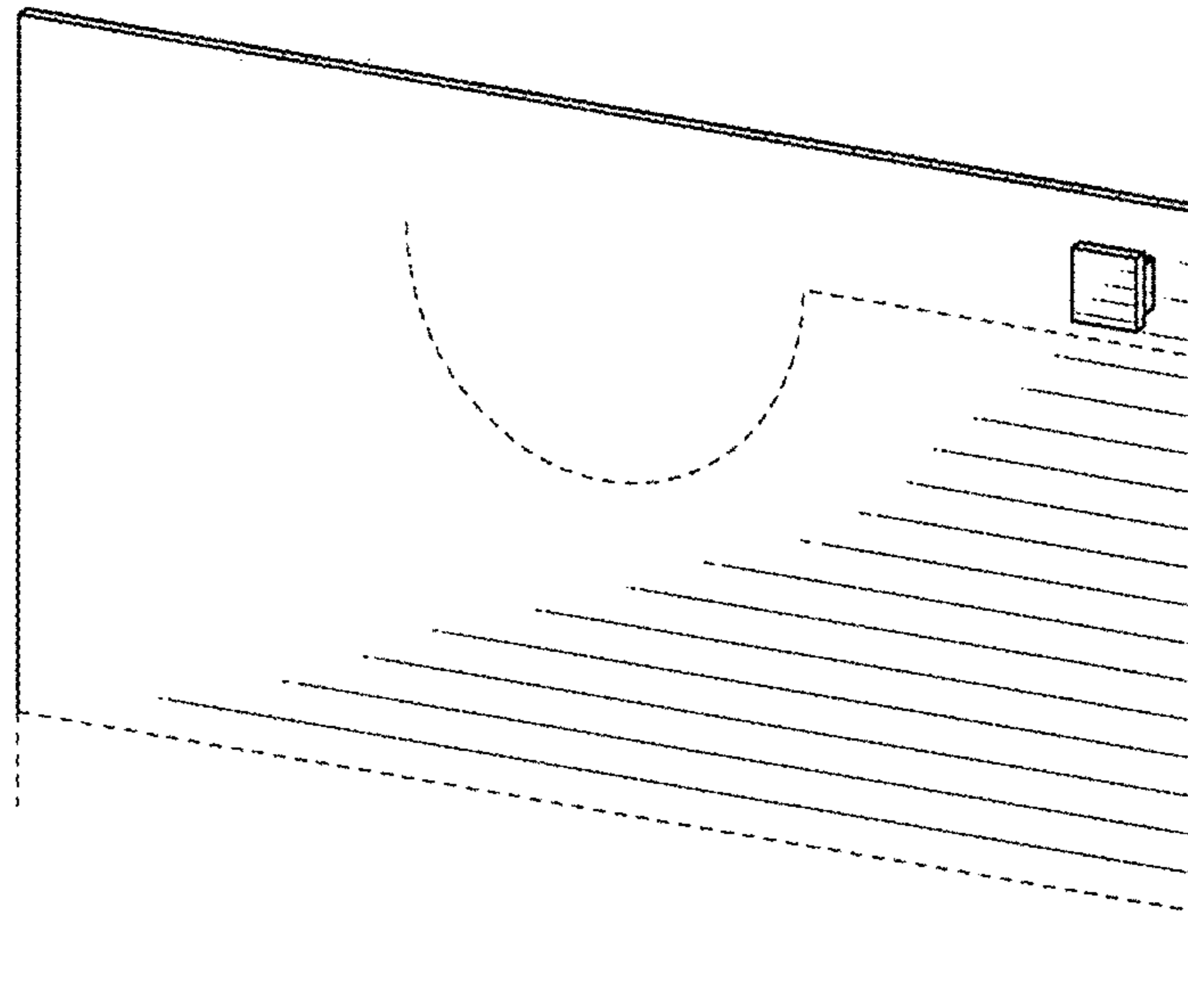


FIG. 1

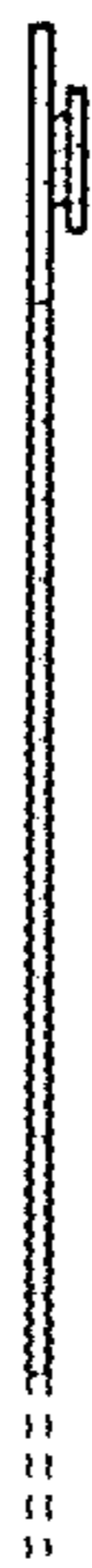


FIG. 2



FIG. 3

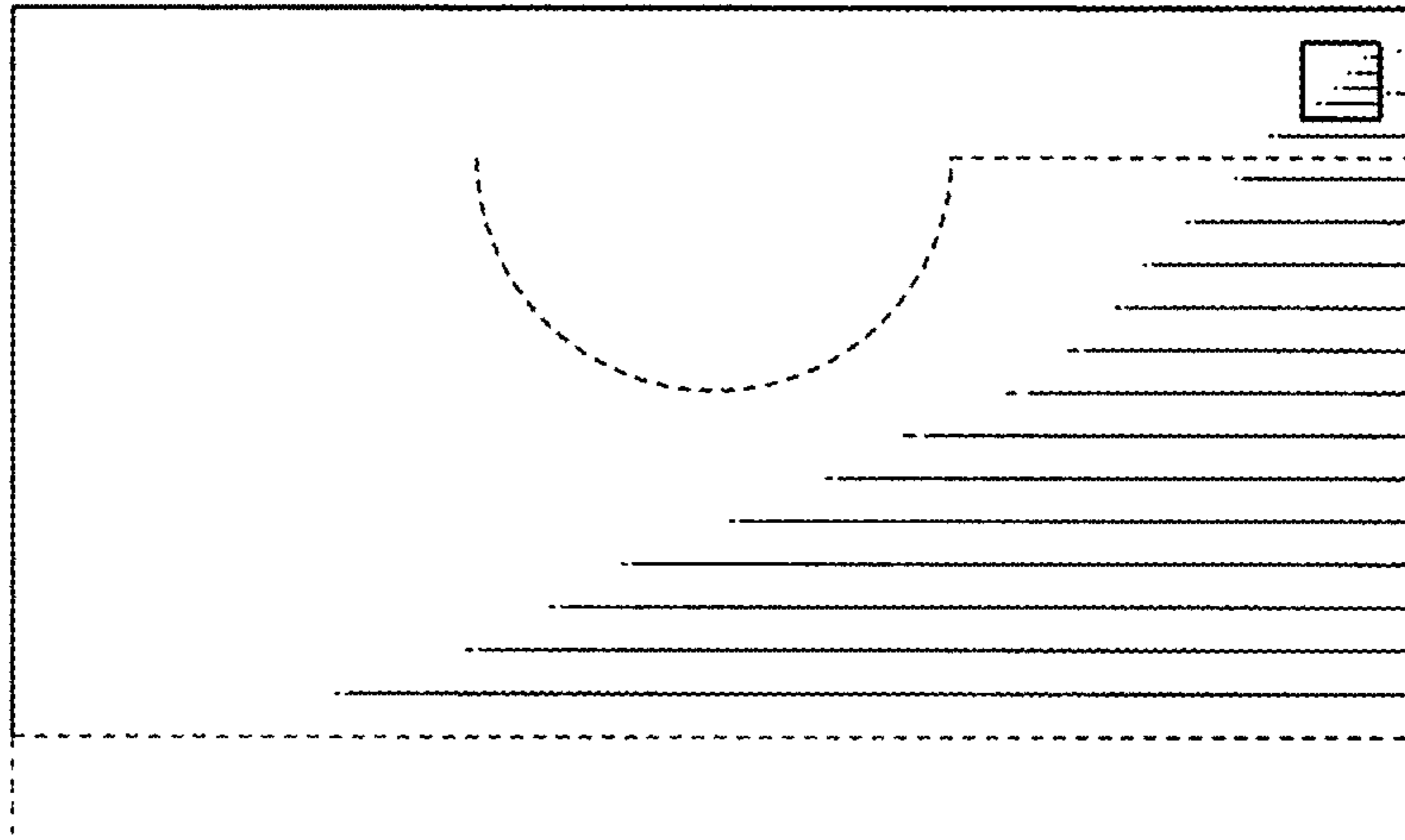


FIG. 4

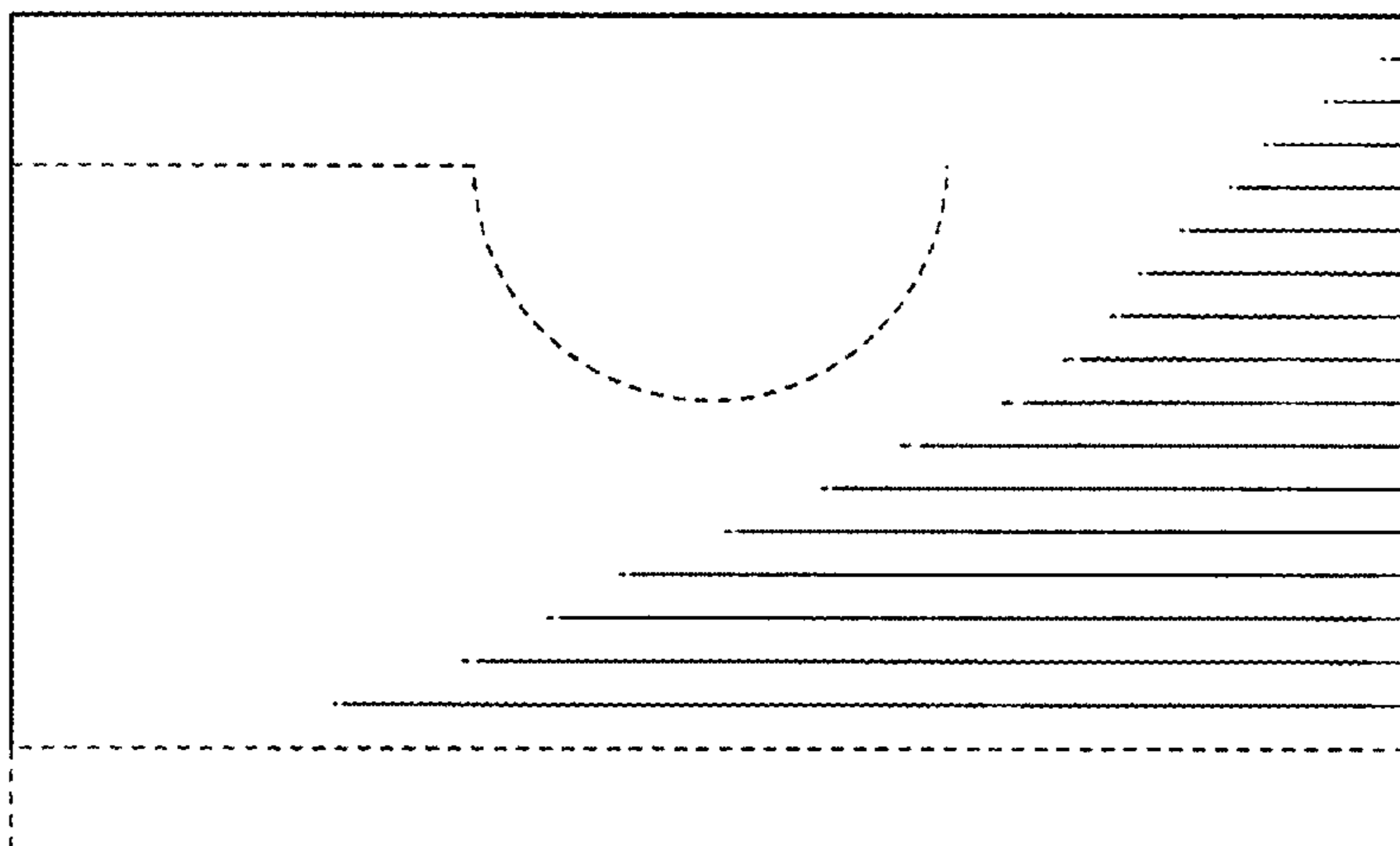


FIG. 5

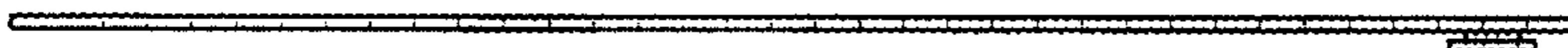


FIG. 6

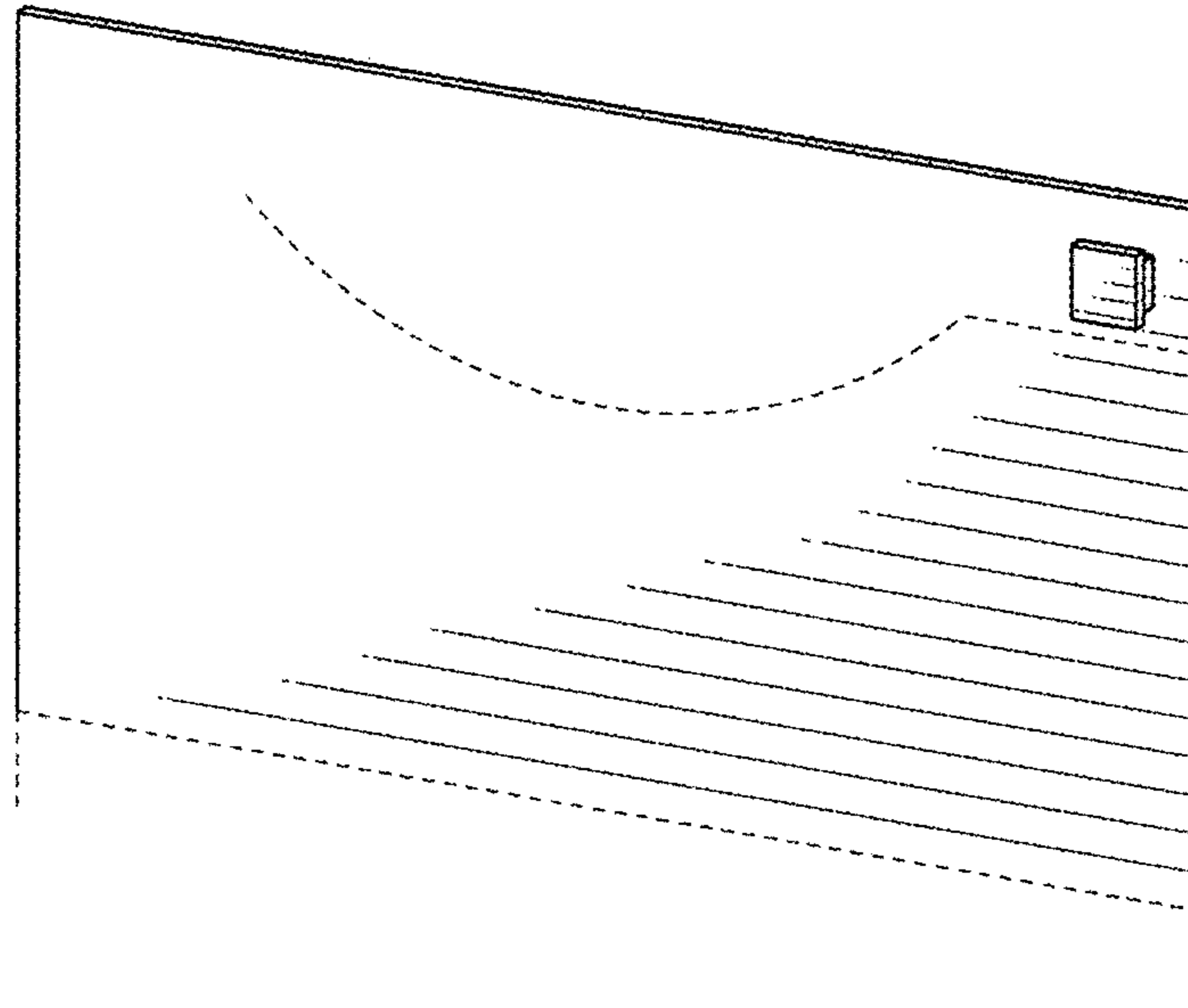


FIG. 7

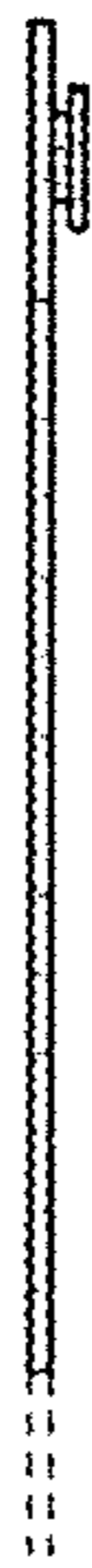


FIG. 8



FIG. 9

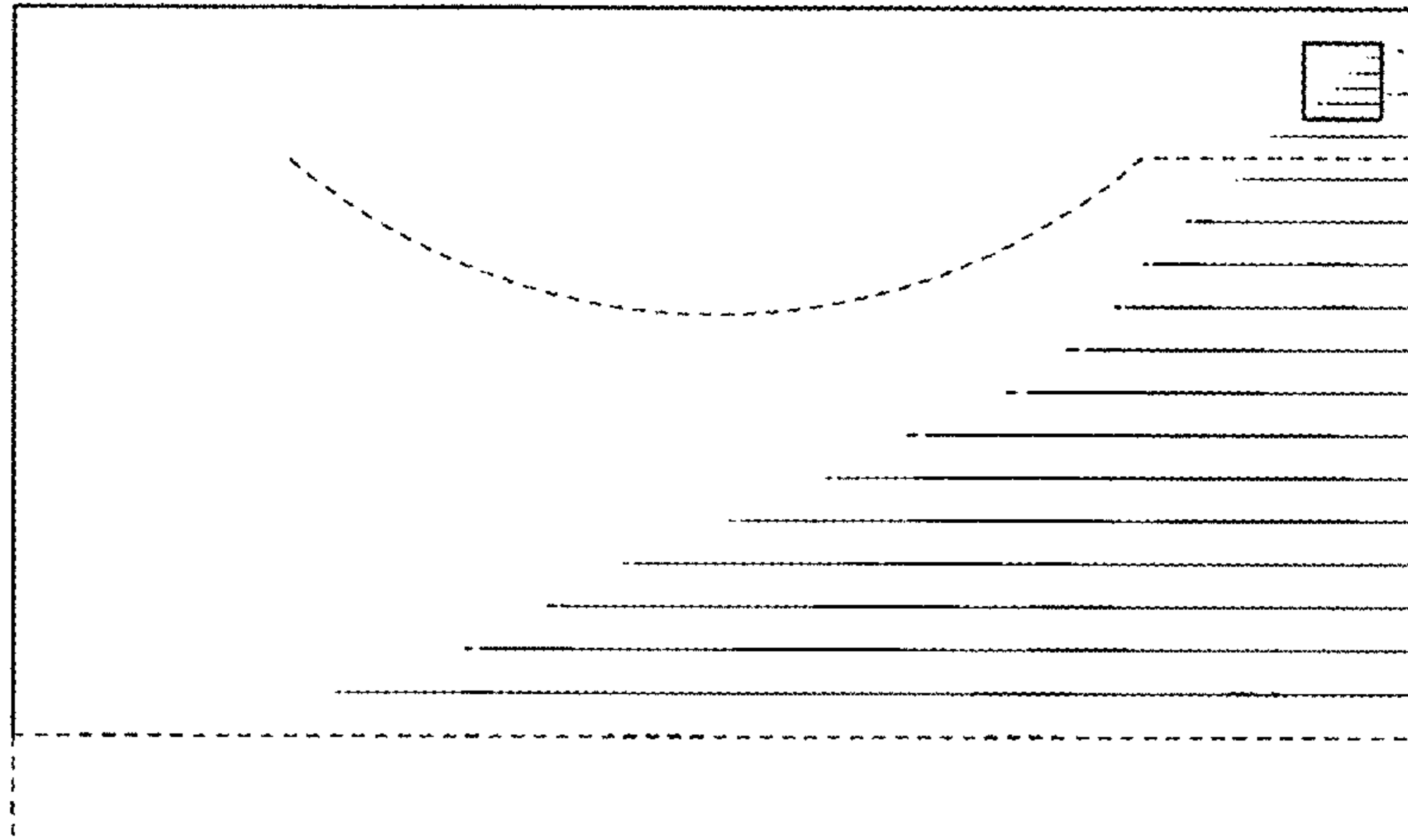


FIG. 10

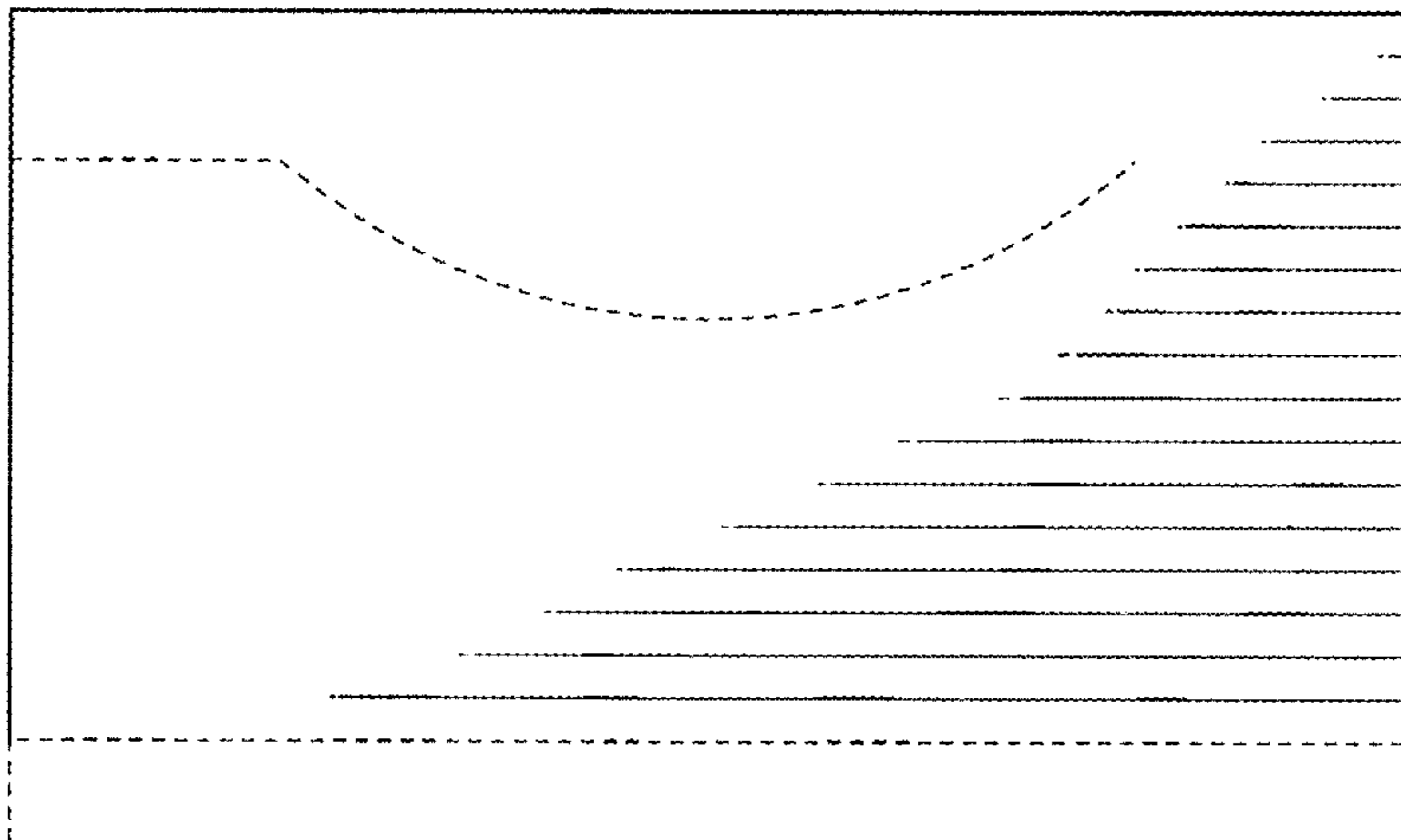


FIG. 11

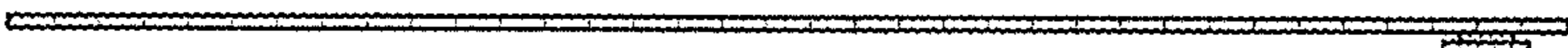


FIG. 12