



US00D927126S

(12) **United States Design Patent** (10) **Patent No.:** **US D927,126 S**  
**McManus et al.** (45) **Date of Patent:** **\*\* Aug. 10, 2021**

(54) **CONFECTION**

(71) Applicant: **The Hershey Company**, Hershey, PA (US)

(72) Inventors: **Kelly McManus**, Lancaster, PA (US); **Heather Dianne Seamans**, Annville, PA (US); **Mary Beth Marette**, Hummelstown, PA (US); **John Russell Stiff**, Falcon Heights, MN (US); **Anouk Linders**, Bergen op Zoom (NL); **Tom Boogerd**, Burgh-Haamstede (NL)

(73) Assignee: **The Hershey Company**, Hershey, PA (US)

(\*\*) Term: **15 Years**

(21) Appl. No.: **29/738,979**

(22) Filed: **Jun. 22, 2020**

**Related U.S. Application Data**

(63) Continuation of application No. 29/736,072, filed on May 27, 2020.

(51) **LOC (13) Cl.** ..... **01-01**

(52) **U.S. Cl.**  
USPC ..... **D1/127; D1/107; D1/109**

(58) **Field of Classification Search**  
USPC ..... D1/100–130, 199; 426/94, 138, 143, 426/275, 277, 279, 281–284, 292, 295, 426/391, 496, 514, 566, 572, 660, 104, 426/134; D21/621, 623, 628, 707–709, D21/713, 714, 782, 662; D30/160; D7/301, 354, 392, 682; D24/141; D8/83; D11/202  
CPC ..... A23G 3/50; A23G 3/563; A23G 9/503; A23G 9/26; A23G 9/48; A23G 3/54; A23P 1/005

See application file for complete search history.

(56) **References Cited**

**U.S. PATENT DOCUMENTS**

D165,723 S *	1/1952	Schneeloch .....	D7/544
D194,577 S *	2/1963	Herman .....	D1/109
D208,639 S *	9/1967	Strauss .....	D21/628
D252,418 S *	7/1979	Wills, Jr. ....	D1/109
D284,324 S *	6/1986	Reynolds .....	D1/102
D310,149 S *	8/1990	Radziewicz .....	5/417
D313,044 S *	12/1990	Spak .....	D19/26
D489,971 S *	5/2004	Tamez .....	D28/67
D554,207 S *	10/2007	Covington Green .....	D21/628
D832,111 S *	10/2018	Lai .....	D9/645
D839,364 S *	1/2019	Cooks .....	D21/650
D878,492 S *	3/2020	Kahl .....	D21/628
D886,446 S *	6/2020	Lee .....	D3/218

\* cited by examiner

*Primary Examiner* — Katie Jane Stofko

(74) *Attorney, Agent, or Firm* — Design IP

(57) **CLAIM**

The ornamental design for a confection, as shown and described.

**DESCRIPTION**

FIG. 1 is a perspective view of a confection showing our new design;

FIG. 2 is a front view thereof;

FIG. 3 is a rear view thereof;

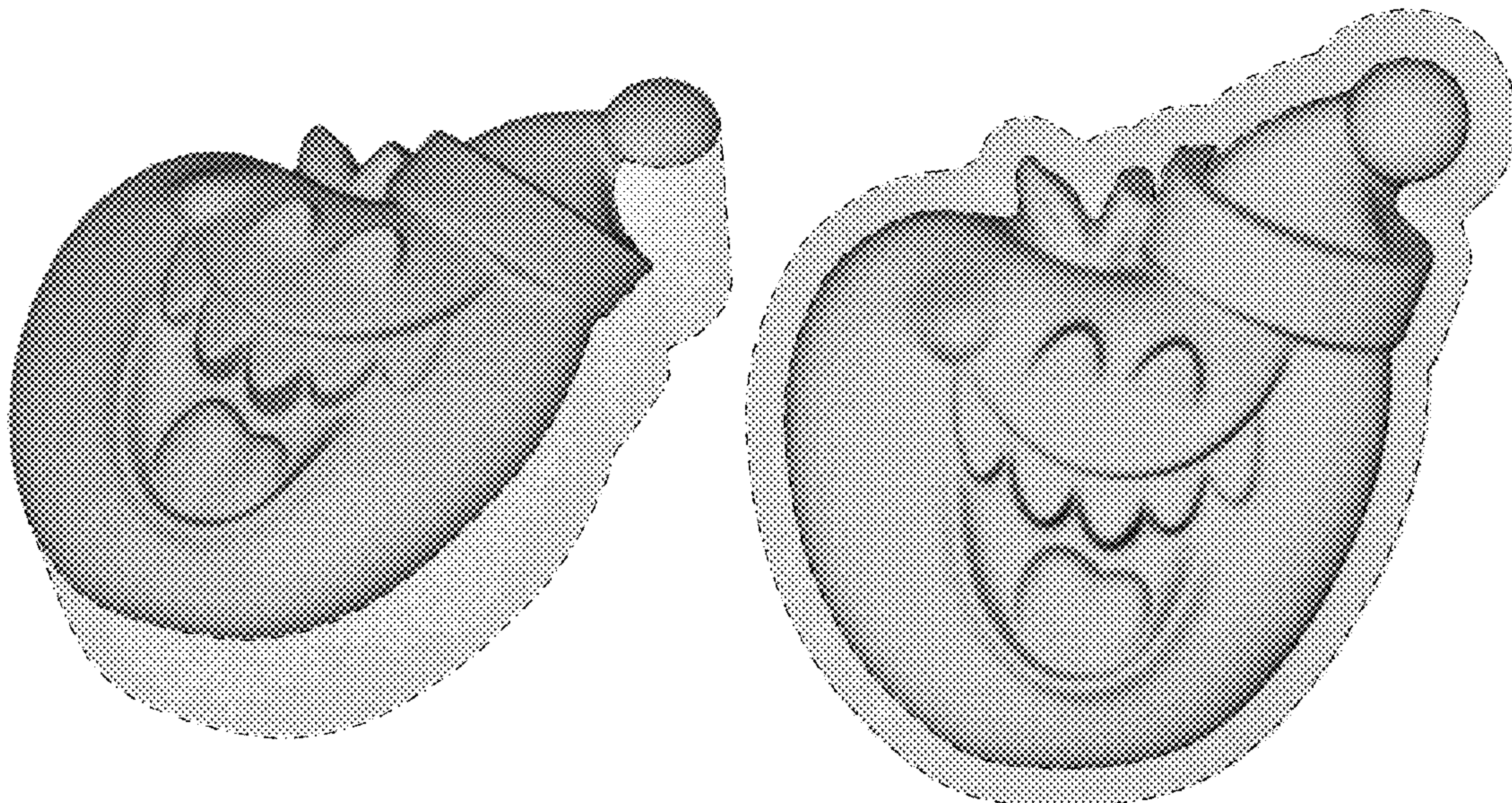
FIG. 4 is a left side view thereof;

FIG. 5 is a right side view thereof; and,

FIG. 6 is a top view thereof.

The greyscale shading shown in FIGS. 1-6 is provided solely for the purpose of showing surface contours. The dash-dot lines in FIGS. 1-6 and the areas within the dash-dot lines shown in phantom show portions of the confection that form no part of the claimed design. The bottom view is omitted and forms no part of the claimed design.

**1 Claim, 4 Drawing Sheets**





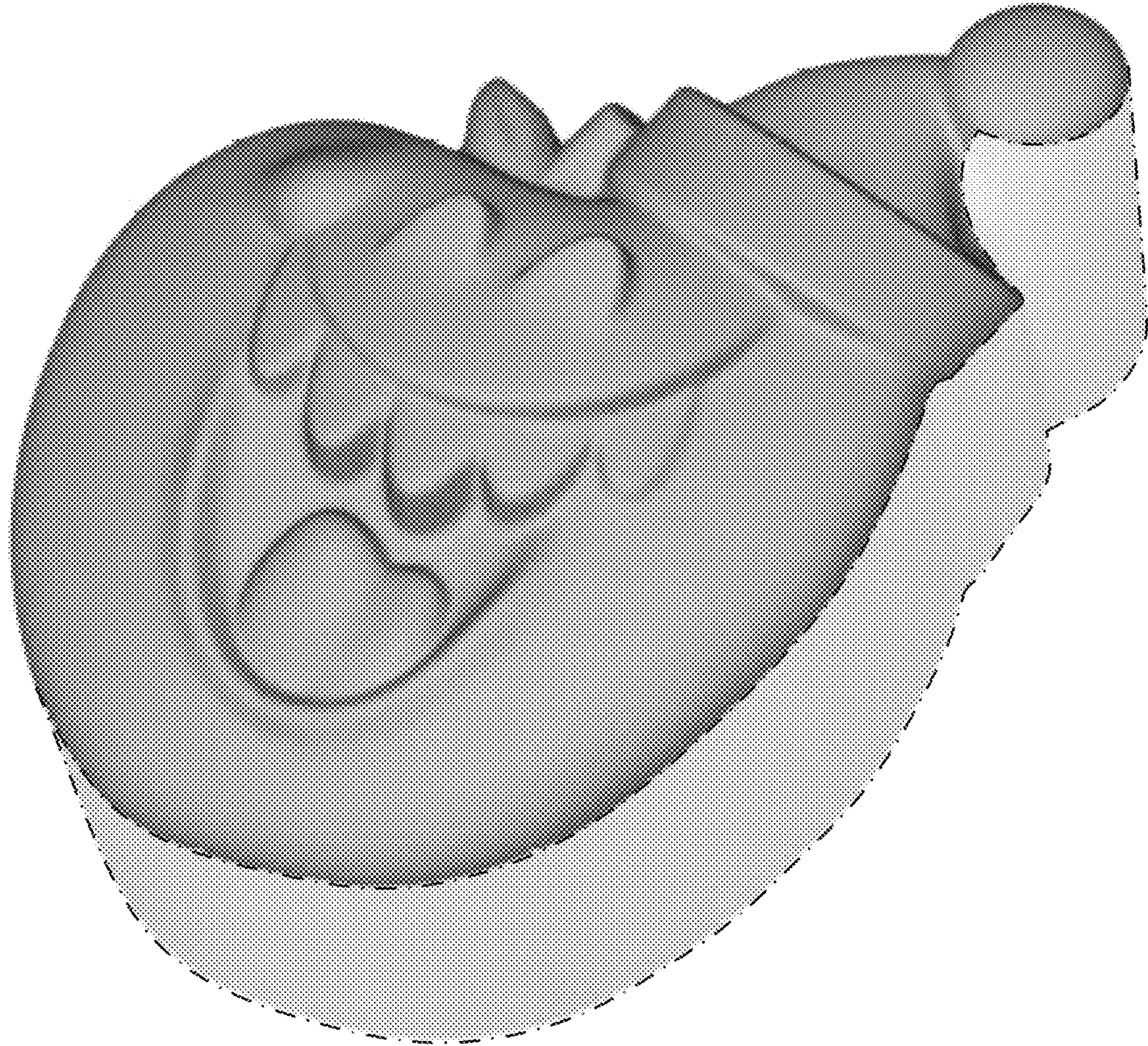


FIG. 1



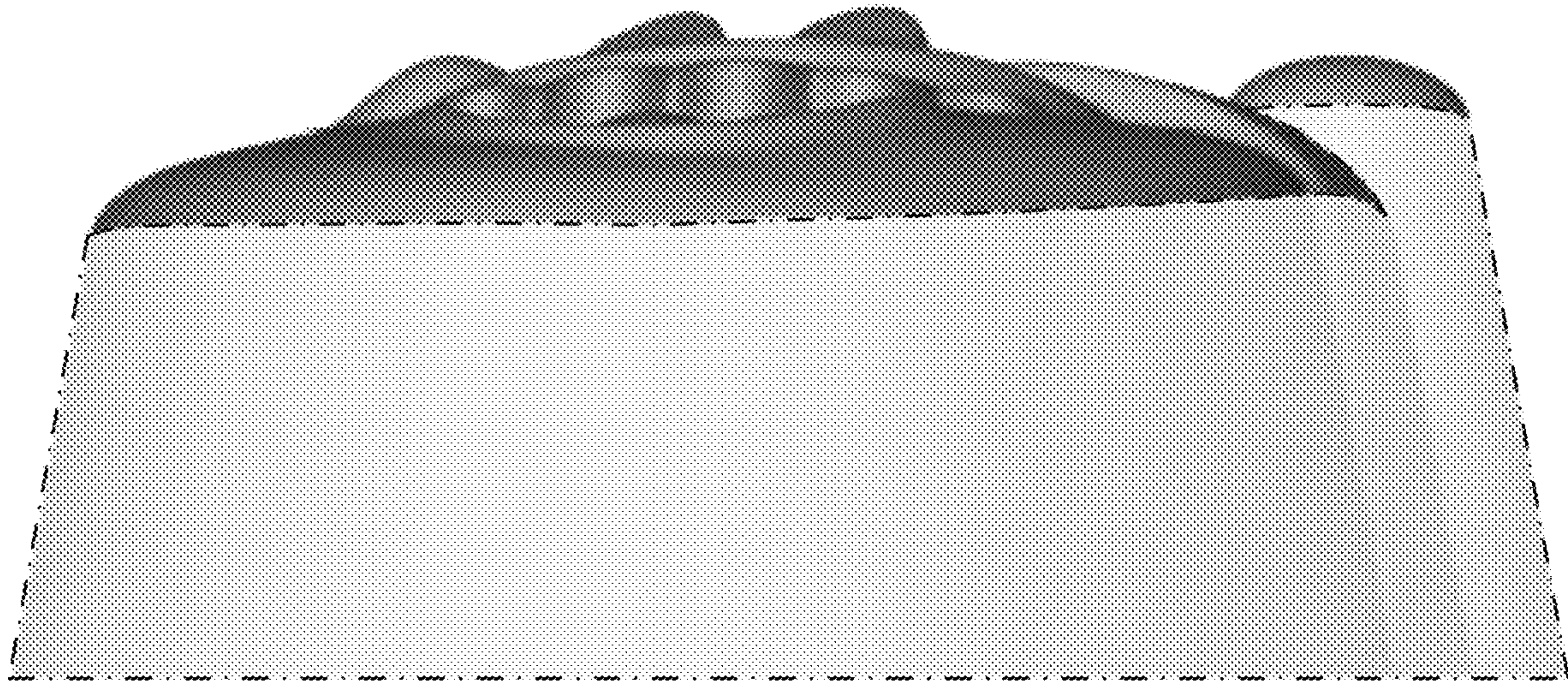


FIG. 2

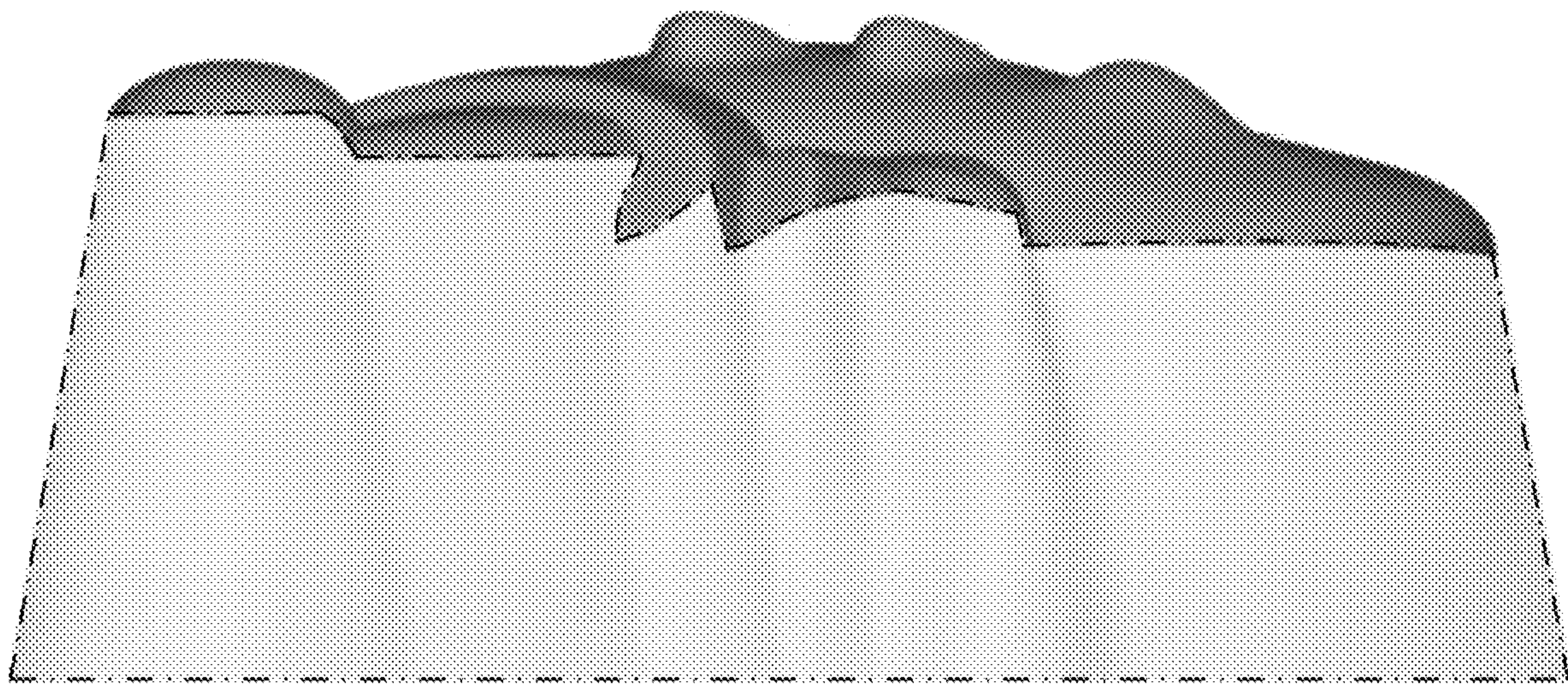


FIG. 3



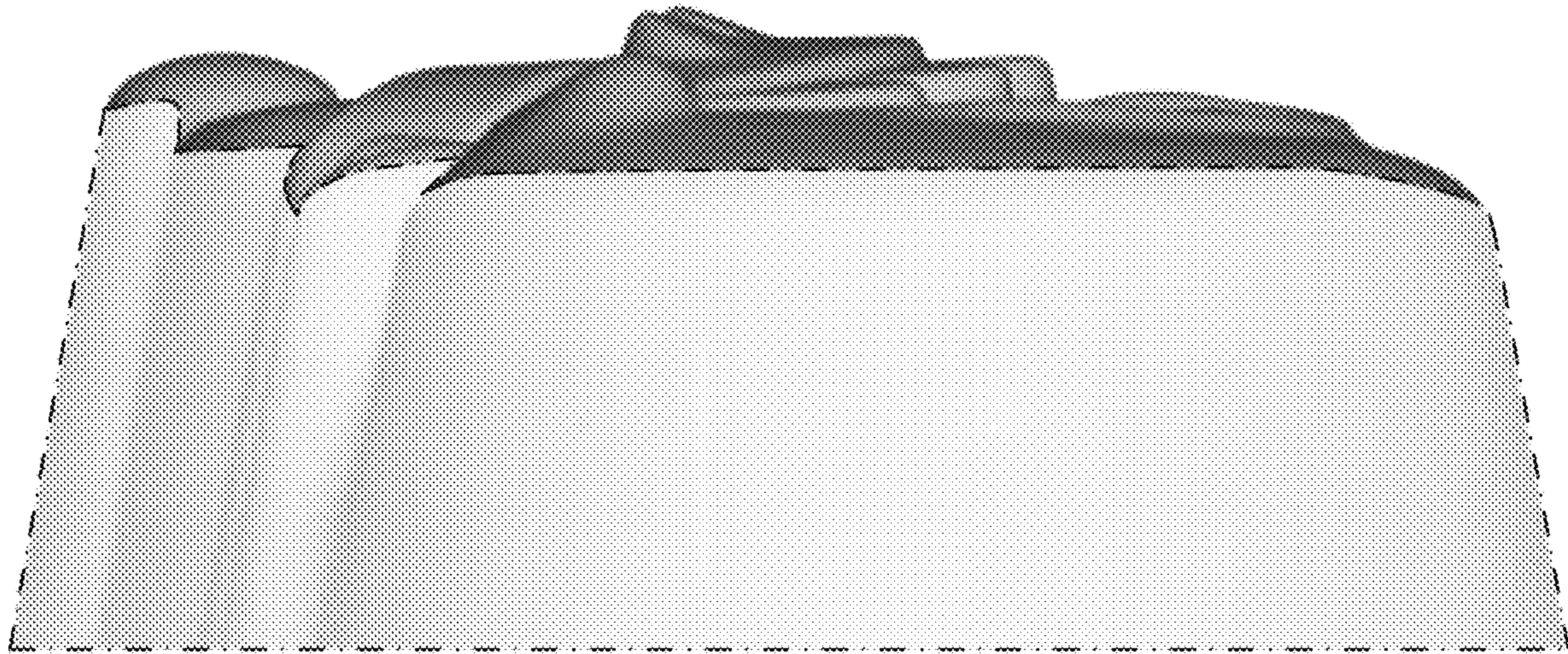


FIG. 4

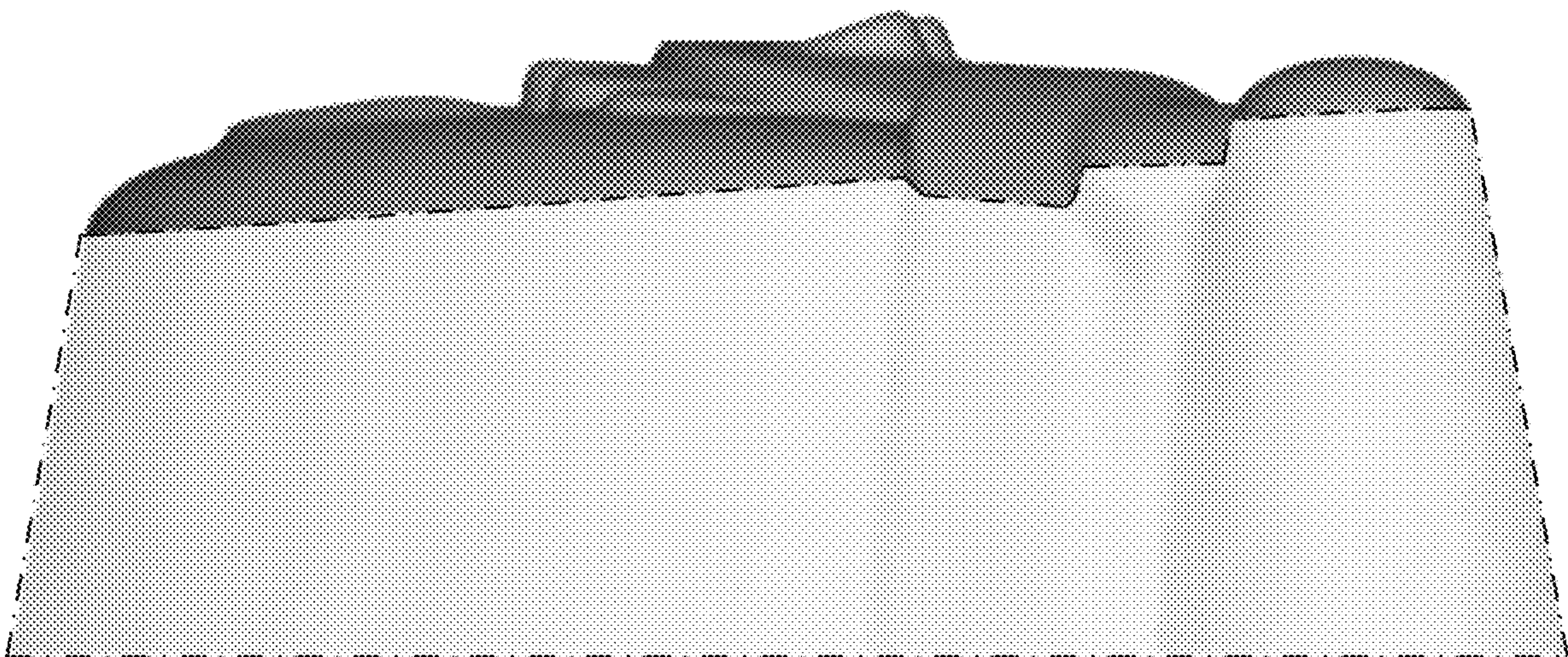


FIG. 5





FIG. 6