



US00D927120S

(12) **United States Design Patent** (10) **Patent No.:** **US D927,120 S**
Veto (45) **Date of Patent:** **** *Aug. 3, 2021**

- (54) **PACKAGE DELIVERY BOX**
- (71) Applicant: **Jay Veto**, Cote St. Luc (CA)
- (72) Inventor: **Jay Veto**, Cote St. Luc (CA)
- (*) Notice: This patent is subject to a terminal disclaimer.
- (**) Term: **15 Years**
- (21) Appl. No.: **29/695,534**
- (22) Filed: **Jun. 19, 2019**
- (51) **LOC (13) Cl.** **99-00**
- (52) **U.S. Cl.**
USPC **D99/33**
- (58) **Field of Classification Search**
USPC D99/28, 29, 31, 33, 43, 99; D3/201, 303, D3/304; D6/553, 567, 512, 573
CPC A47G 29/00; A47G 29/08; A47G 29/12; A47G 29/1201; A47G 29/1203; A47G 29/1207; A47G 29/1209; A47G 29/1218; A47G 29/16; E05G 1/00; E05G 1/005
See application file for complete search history.

D83,008 S *	1/1931	Reimer	D99/33
2,444,679 A *	7/1948	Shaukis	A47G 29/1225
				232/35
2,448,225 A *	8/1948	Malloy	A47G 29/12
				232/17
D183,942 S *	11/1958	Masso	D99/33
D210,257 S *	2/1968	Favaro	D99/33
D265,264 S *	6/1982	Yeh	D99/28
D269,048 S *	5/1983	Fruchtl	D99/33
D345,040 S *	3/1994	Hollins	D99/33
D398,648 S *	9/1998	Matthews	D19/75
D678,655 S *	3/2013	Farentinos	D99/33

(Continued)

OTHER PUBLICATIONS

Post Box Steel Square Large Letter Mailbox Wall Mounted Lockable Key Outdoor, <https://www.ebay.ie/itm/Post-Box-Steel-Square-Large-Letter-Mailbox-Wall-Mounted-Lockable-Key-Outdoor/252729861429>, Nov. 3, 2020 (Year: 2020).*

Primary Examiner — Elizabeth J Oswecki

(57) **CLAIM**

The ornamental design for a package delivery box, as shown and described.

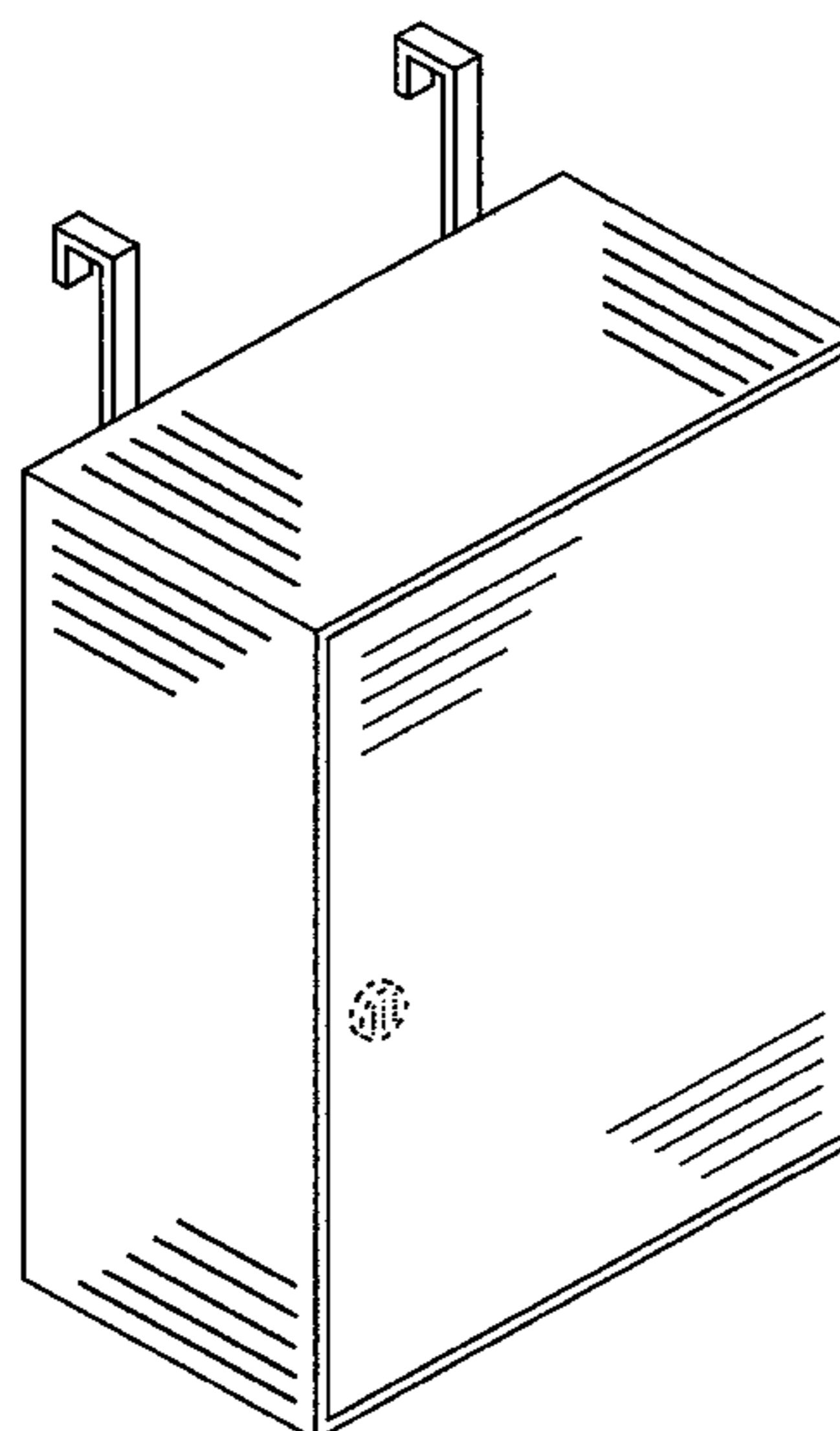
DESCRIPTION

FIG. 1 is a left side perspective view of a package delivery box showing my new design; FIG. 2 is a right side view thereof; FIG. 3 is a left side view thereof; FIG. 4 is a top view thereof; FIG. 5 is a bottom view thereof; FIG. 6 is a front view thereof; FIG. 7 is a rear view thereof; and, FIG. 8 is another left side perspective view thereof, shown in a used condition attached to a door shown in broken lines. The broken lines shown in the drawing views form no part of the claimed design.

1 Claim, 5 Drawing Sheets

(56) **References Cited**
U.S. PATENT DOCUMENTS

694,219 A *	2/1902	Vestal	A47G 29/1201
				232/25
950,935 A *	3/1910	Lorenz et al.	E05G 1/08
				109/56
1,060,018 A *	4/1913	Pape	E05G 1/08
				109/56
1,222,964 A *	4/1917	Matchette	G07F 9/06
				232/1 R
1,366,294 A *	1/1921	Styrbinski	A47G 29/12
				232/24
D62,426 S *	5/1923	Steele	D99/33
1,683,217 A *	9/1928	Ward, Jr.	A47G 29/1201
				232/25
1,683,218 A *	9/1928	Ward, Jr.	A47G 29/1201
				232/25



(56)

References Cited

U.S. PATENT DOCUMENTS

D785,274	S	*	4/2017	Mikolajczyk	D99/29
D789,022	S	*	6/2017	Spears	D99/29
D799,783	S	*	10/2017	Spears	D99/29
D799,784	S	*	10/2017	Spears	D99/29
D800,413	S	*	10/2017	Spears	D99/29
D800,414	S	*	10/2017	Spears	D99/29
D802,249	S	*	11/2017	Spears	D99/29
D802,879	S	*	11/2017	Kelly	D99/33
D805,718	S	*	12/2017	Kelly	D99/33
D805,719	S	*	12/2017	Kelly	D99/33
D821,679	S	*	6/2018	Mikolajczyk	D99/29
D854,779	S	*	7/2019	Veto	D99/33

* cited by examiner

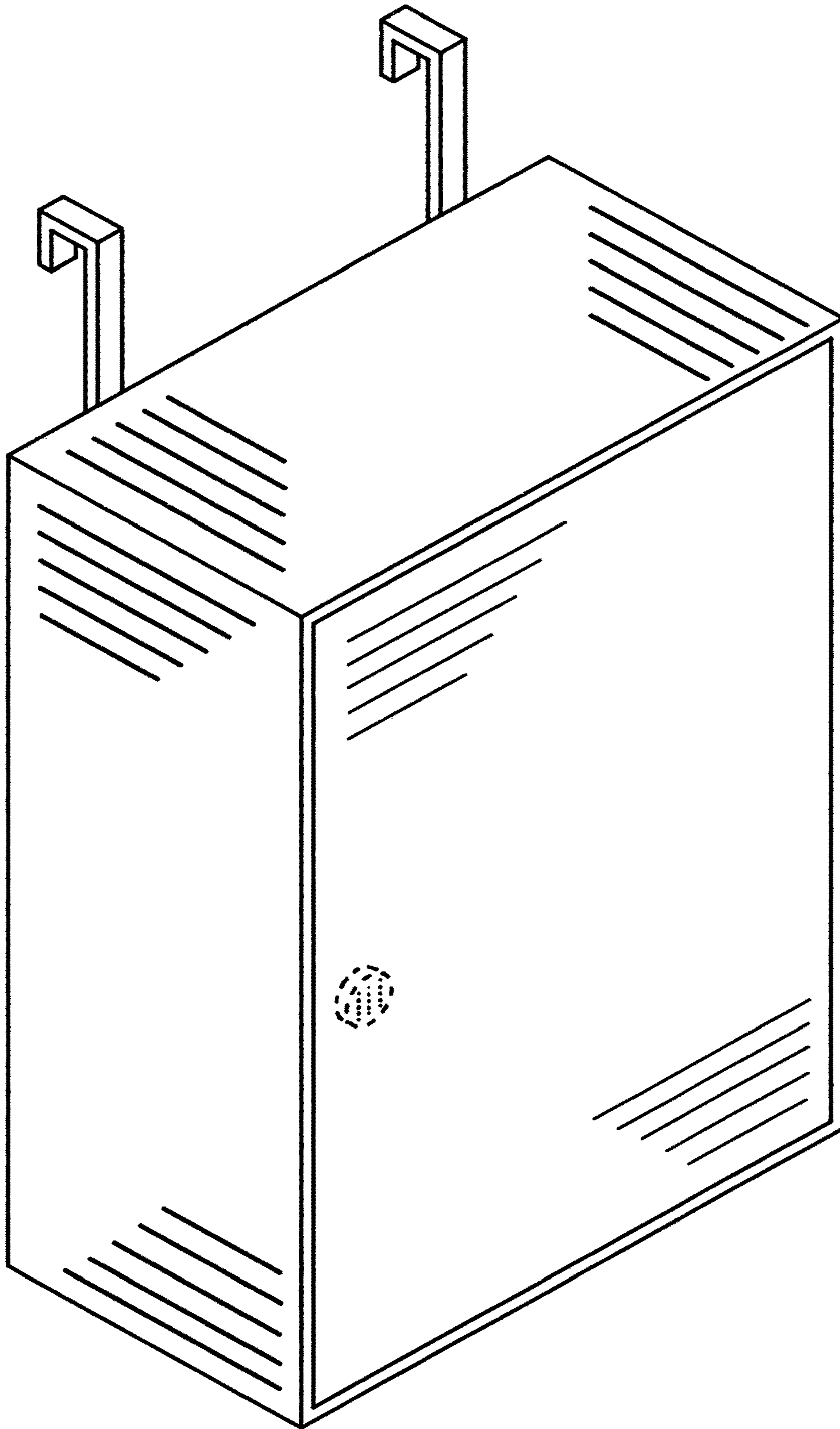


Fig. 1

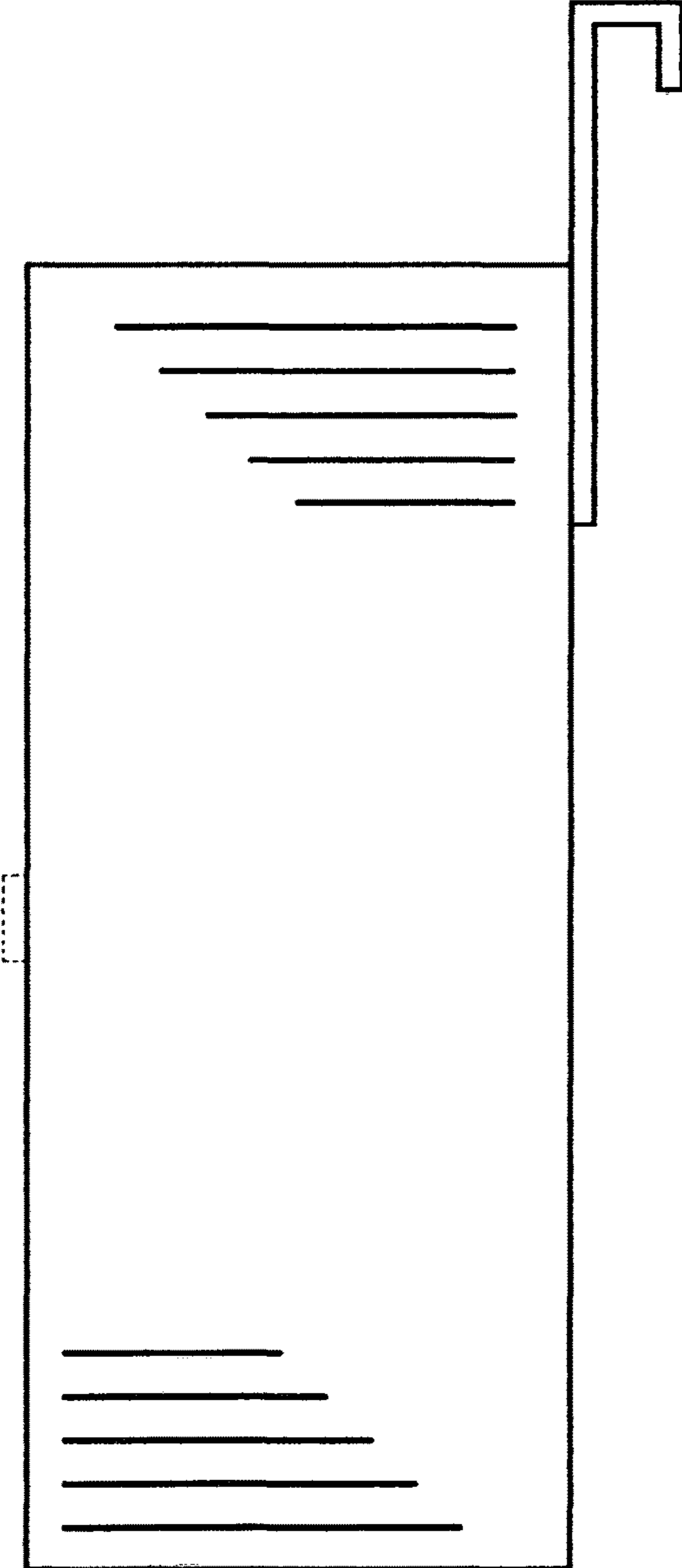


Fig. 2

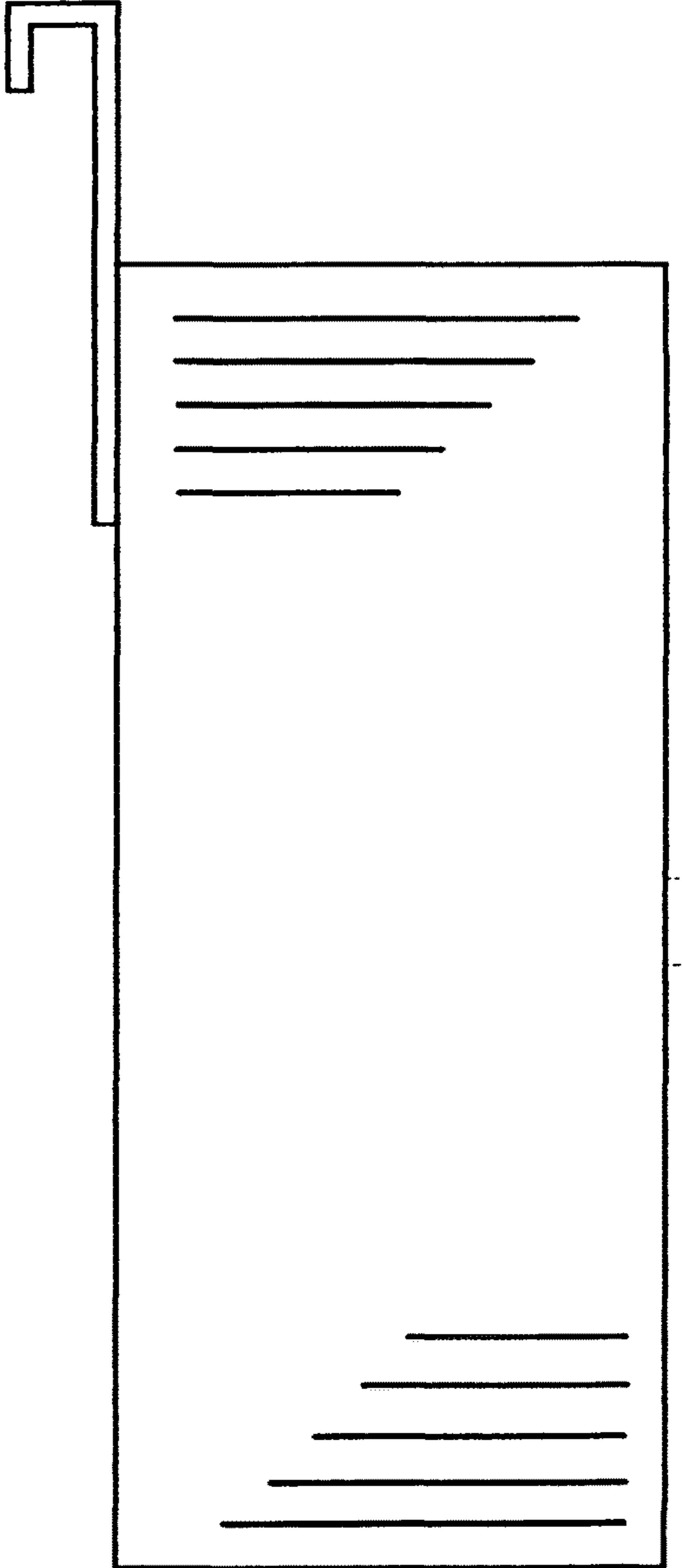


Fig. 3

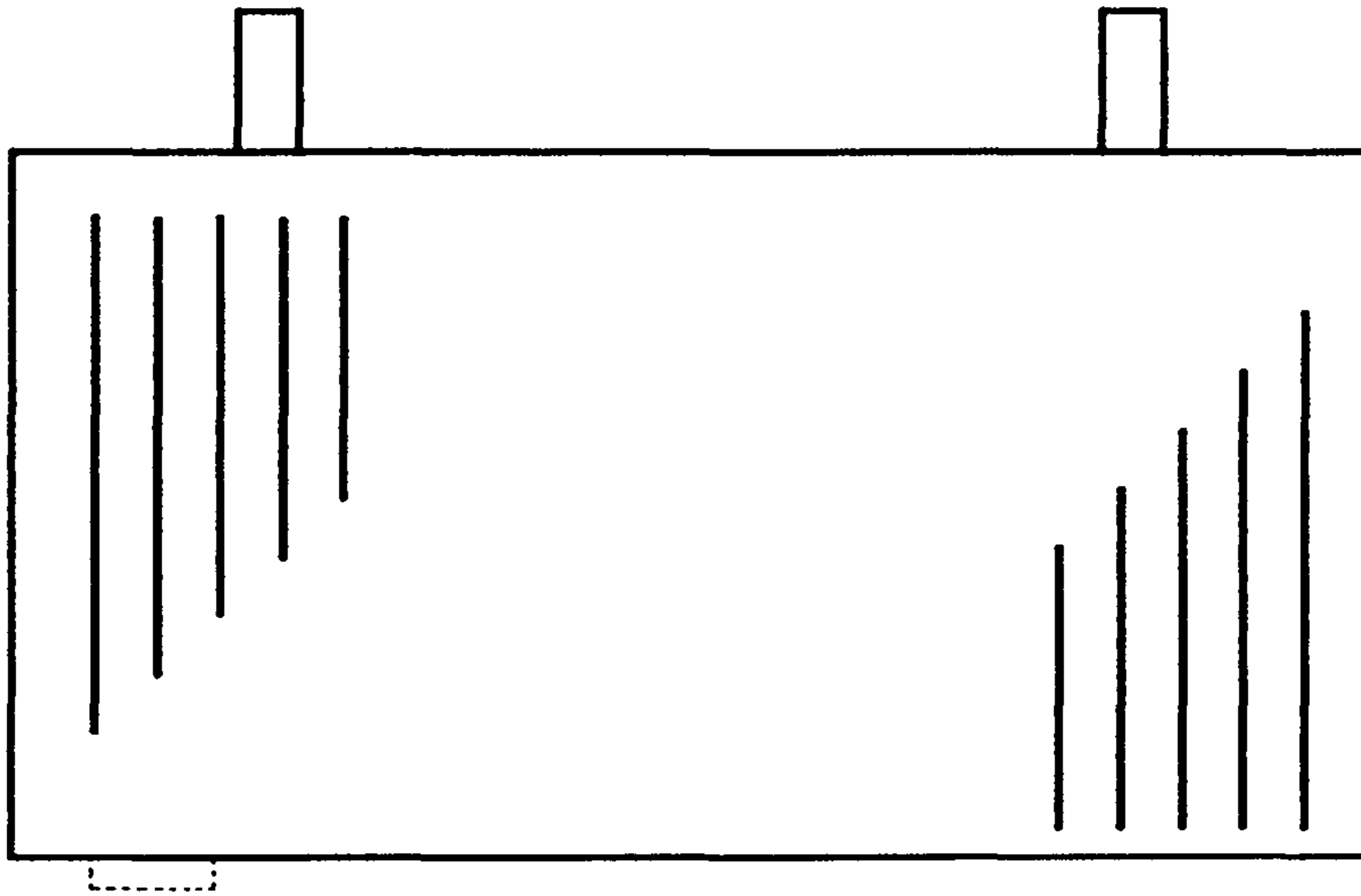


Fig. 4

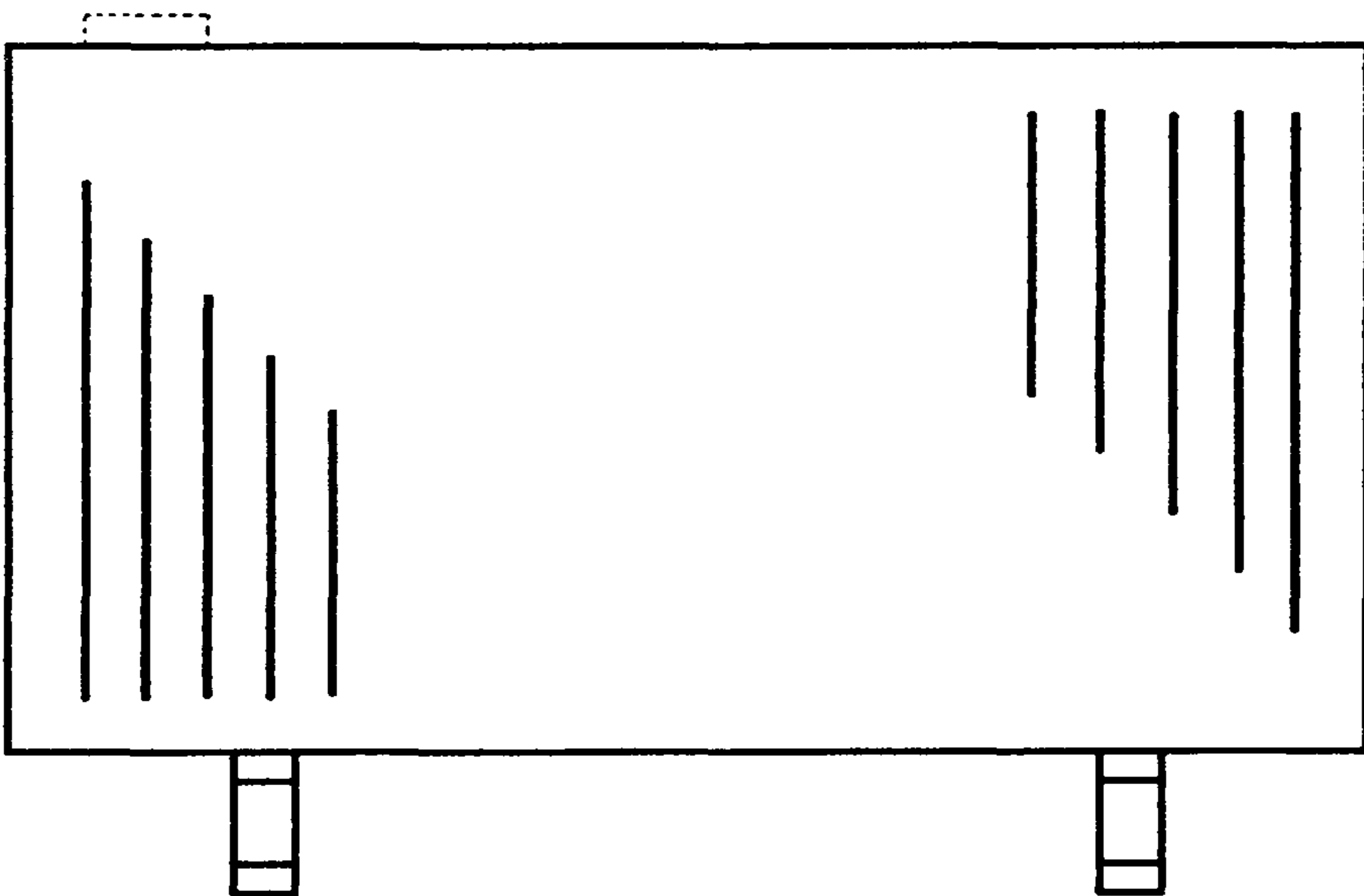


Fig. 5

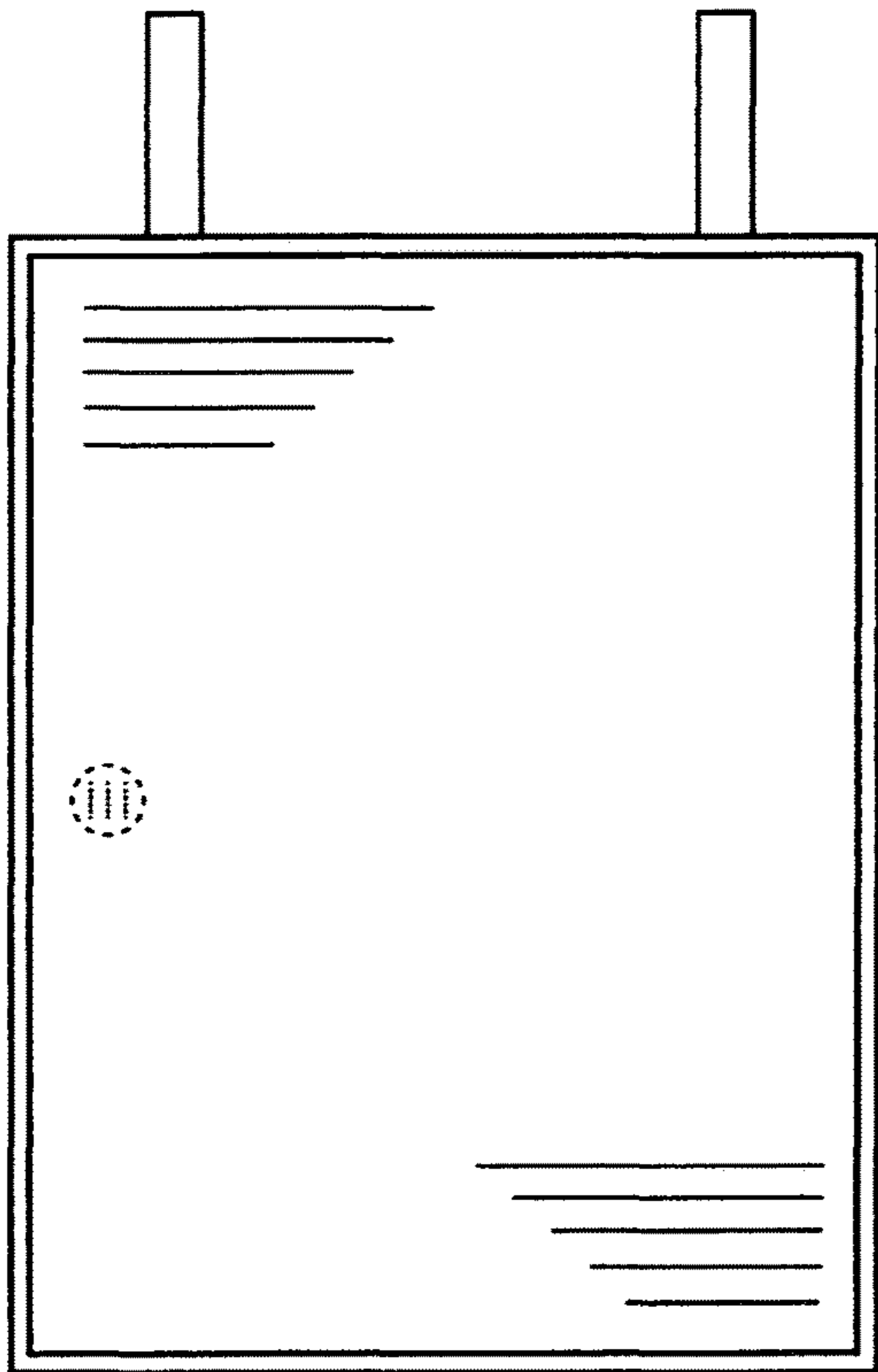


Fig. 6

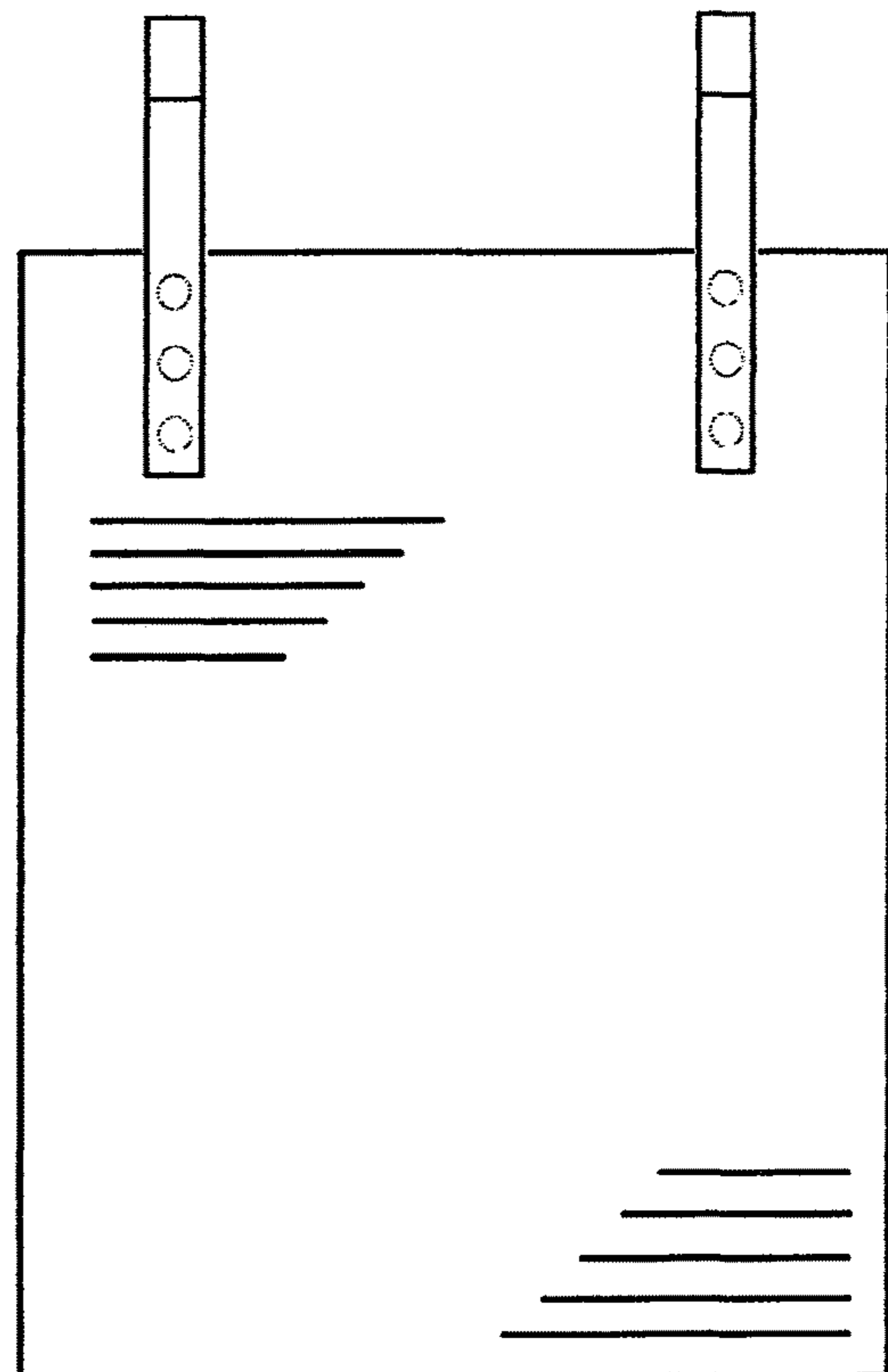


Fig. 7

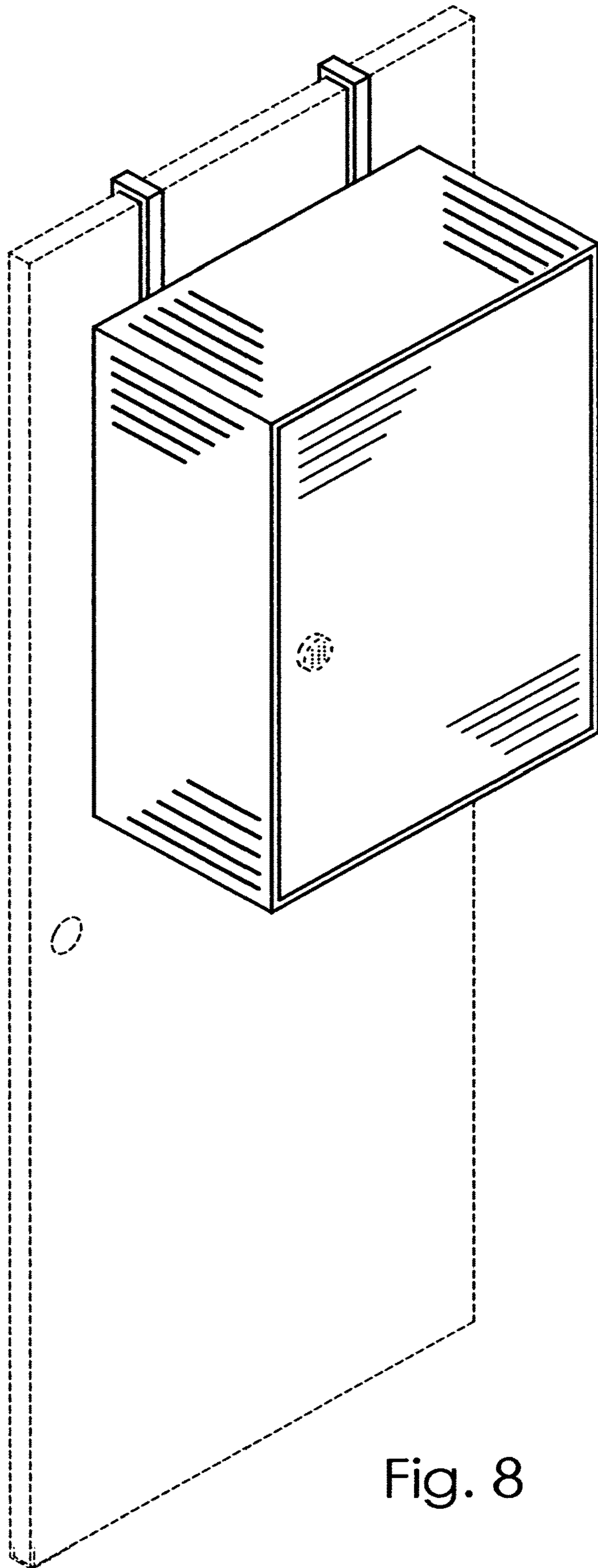


Fig. 8