

US00D927118S

(12) **United States Design Patent** (10) **Patent No.:** **US D927,118 S**  
**Lin et al.** (45) **Date of Patent:** **\*\* Aug. 3, 2021**

(54) **PALLET**

D404,180 S 1/1999 Apps et al.  
 5,887,529 A 3/1999 John et al.  
 D410,786 S 6/1999 Favaron et al.  
 (Continued)

(71) Applicant: **Inteplast Group Corporation**,  
Livingston, NJ (US)

(72) Inventors: **Yaw-kuen Lin**, Parsippany, NJ (US);  
**Douglas R. Lude**, Auburn, IN (US)

(73) Assignee: **Inteplast Group Corporation**,  
Livingston, NJ (US)

(\*\*) Term: **15 Years**

(21) Appl. No.: **29/707,358**

(22) Filed: **Sep. 27, 2019**

**OTHER PUBLICATIONS**

Originally filed U.S. Appl. No. 29/559,811, filed Mar. 31, 2016, pp. 1-20.

*Primary Examiner* — Cynthia Ramirez  
 (74) *Attorney, Agent, or Firm* — Lerner, David,  
 Littenberg, Krumholz & Mentlik, LLP

(57) **CLAIM**

The ornamental design for a pallet, as shown and described.

**DESCRIPTION**

FIG. 1 is a front perspective view of a pallet according to a first embodiment of our new design;  
 FIG. 2 is a cross-sectional perspective view taken along line 2-2 of FIG. 4;  
 FIG. 3 is a right side elevational view thereof, the left side elevational view being identical thereto;  
 FIG. 4 is a front elevational view thereof, the rear elevational view being identical thereto;  
 FIG. 5 is a top plan view thereof;  
 FIG. 6 is a bottom plan view thereof;  
 FIG. 7 is a cross-sectional view thereof taken along line 7-7 of FIG. 1;  
 FIG. 8 is a cross-sectional plan view thereof taken along line 8-8 of FIG. 3;  
 FIG. 9 is a cross-sectional plan view thereof taken along line 9-9 of FIG. 3; and,  
 FIG. 10 is a bottom perspective view thereof.  
 The evenly-spaced broken lines shown in the drawings are for the purpose of illustrating environmental structure and form no part of the claimed design. The dash-dot lines are included to show boundaries that form no part of the claimed design.

**Related U.S. Application Data**

(62) Division of application No. 29/624,806, filed on Nov. 3, 2017, now Pat. No. Des. 869,812.

(51) **LOC (13) Cl.** ..... **09-08**

(52) **U.S. Cl.**  
USPC ..... **D34/38**

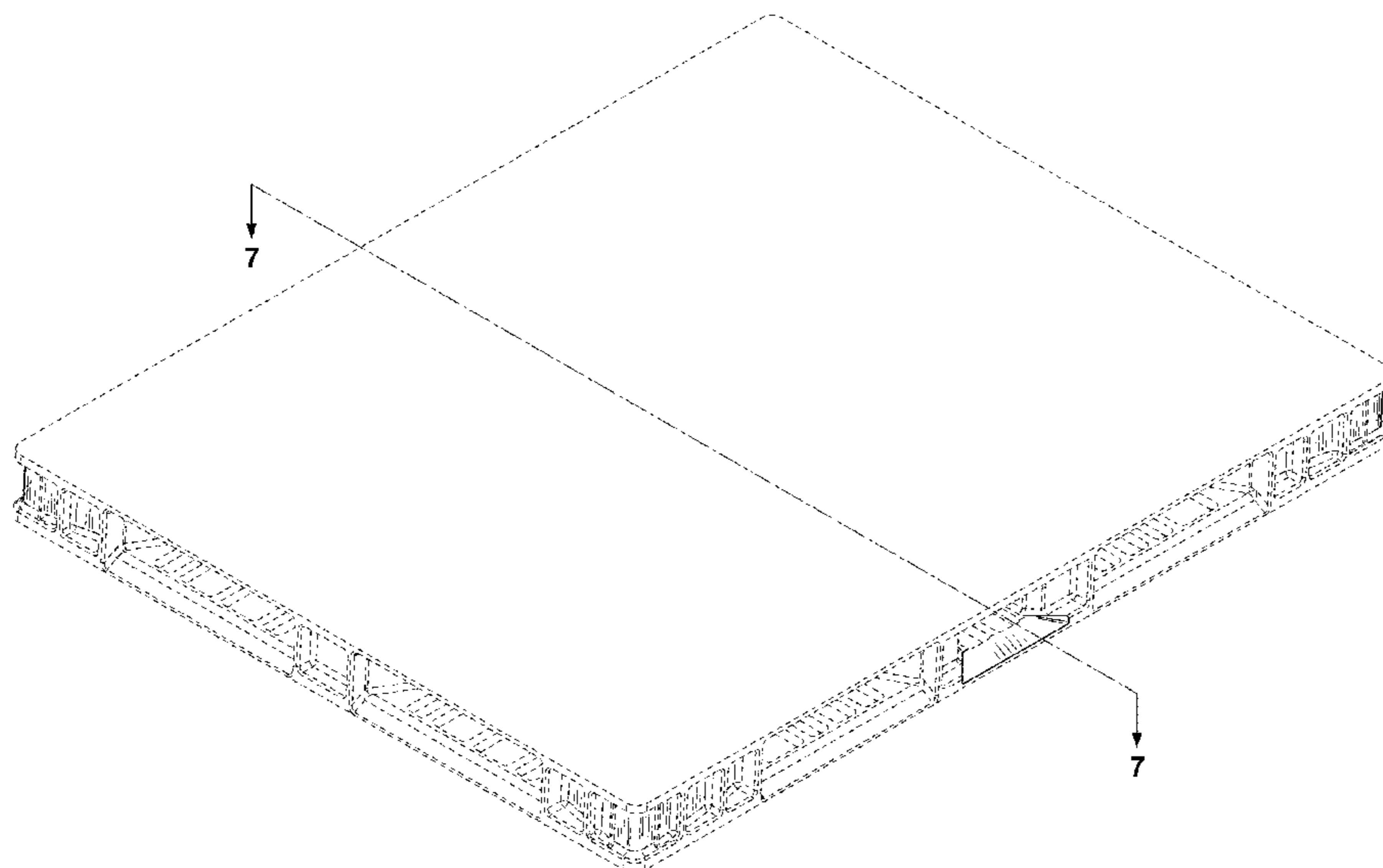
(58) **Field of Classification Search**  
 USPC ..... D34/38  
 CPC ..... B65D 2519/00273; B65D 2519/00069;  
 B65D 2519/00034  
 See application file for complete search history.

(56) **References Cited**

**U.S. PATENT DOCUMENTS**

D279,418 S	6/1985	Helmer	
D279,617 S	7/1985	Helmer	
D288,977 S	3/1987	Wind	
D296,599 S	7/1988	Bean	
D357,108 S	4/1995	Hutchison	
5,433,156 A	7/1995	Hutchison	
5,794,544 A	8/1998	Shuert	
D398,732 S *	9/1998	Pigott	..... D34/38
D400,682 S *	11/1998	Constantino	..... D34/38
D403,830 S	1/1999	Apps et al.	

**1 Claim, 9 Drawing Sheets**



(56)

References Cited

U.S. PATENT DOCUMENTS

D443,969 S 6/2001 Apps  
 6,250,234 B1 6/2001 Apps  
 D464,186 S 10/2002 Medoff et al.  
 D465,242 S \* 11/2002 Yamanouchi ..... D20/11  
 D485,659 S 1/2004 Medoff et al.  
 6,807,910 B2 10/2004 Apps  
 D650,546 S 12/2011 MacDonald et al.  
 D665,145 S \* 8/2012 Kessler ..... D34/38  
 D674,984 S 1/2013 Reyhan et al.  
 D675,805 S \* 2/2013 Randall ..... D34/38  
 D681,903 S \* 5/2013 Randall ..... D34/38  
 D708,811 S 7/2014 Kelly et al.  
 D724,809 S 3/2015 Howland et al.  
 D762,939 S 8/2016 Johnson et al.  
 D781,023 S 3/2017 Johnson et al.  
 D799,781 S 10/2017 Blosser et al.  
 D816,287 S 4/2018 Hunt, III  
 D816,288 S 4/2018 Hunt, III  
 D816,939 S 5/2018 Blosser et al.  
 D822,308 S 7/2018 Hunt, III  
 D822,309 S 7/2018 Hunt, III

D838,429 S 1/2019 Herbeck et al.  
 D905,373 S \* 12/2020 Spadavecchia ..... D34/38  
 2007/0163473 A1 7/2007 Shuert  
 2007/0277706 A1 \* 12/2007 Carter ..... B65D 19/0028  
 108/51.3  
 2007/0283856 A1 \* 12/2007 Berghmans ..... B32B 5/20  
 108/51.3  
 2008/0143514 A1 6/2008 Valentinsson  
 2008/0236455 A1 10/2008 Naidu  
 2009/0050029 A1 2/2009 Ogbum  
 2010/0043676 A1 \* 2/2010 Apps ..... B65D 19/004  
 108/53.3  
 2010/0288169 A1 11/2010 Du Toit  
 2013/0220184 A1 \* 8/2013 Apps ..... B65D 19/0014  
 108/56.1  
 2014/0158025 A1 6/2014 Apps  
 2016/0368659 A1 12/2016 Bastian, II et al.  
 2018/0370681 A1 12/2018 Lin et al.  
 2019/0106242 A1 \* 4/2019 Weeks ..... B65D 19/0018  
 2019/0185205 A1 \* 6/2019 Jurcak ..... B65D 19/38  
 2020/0039685 A1 \* 2/2020 Weeks ..... B65D 19/40  
 2020/0122884 A1 \* 4/2020 Jurcak ..... B65D 19/0012  
 2020/0231332 A1 \* 7/2020 Apps ..... B65D 19/0036

\* cited by examiner

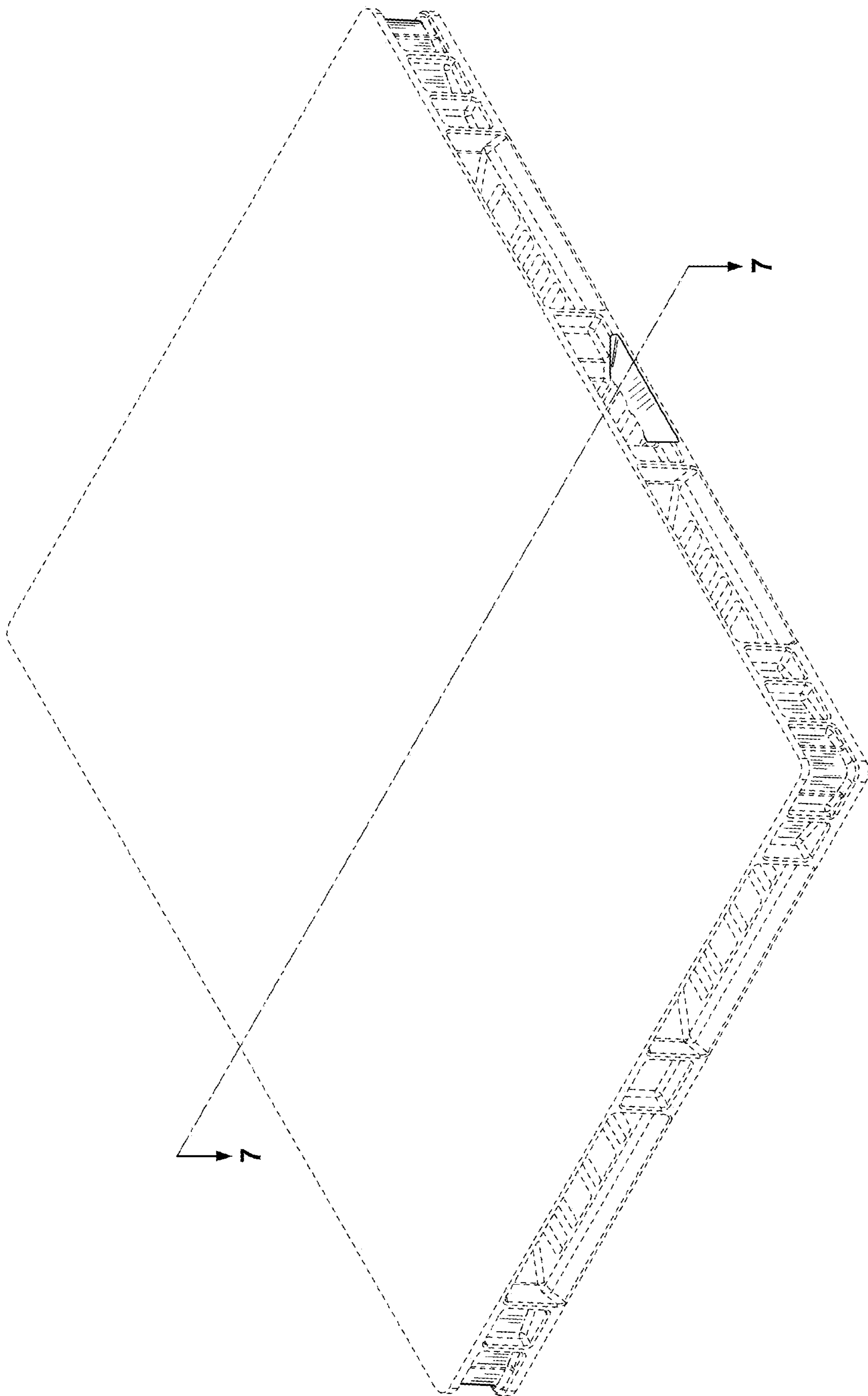


FIG. 1

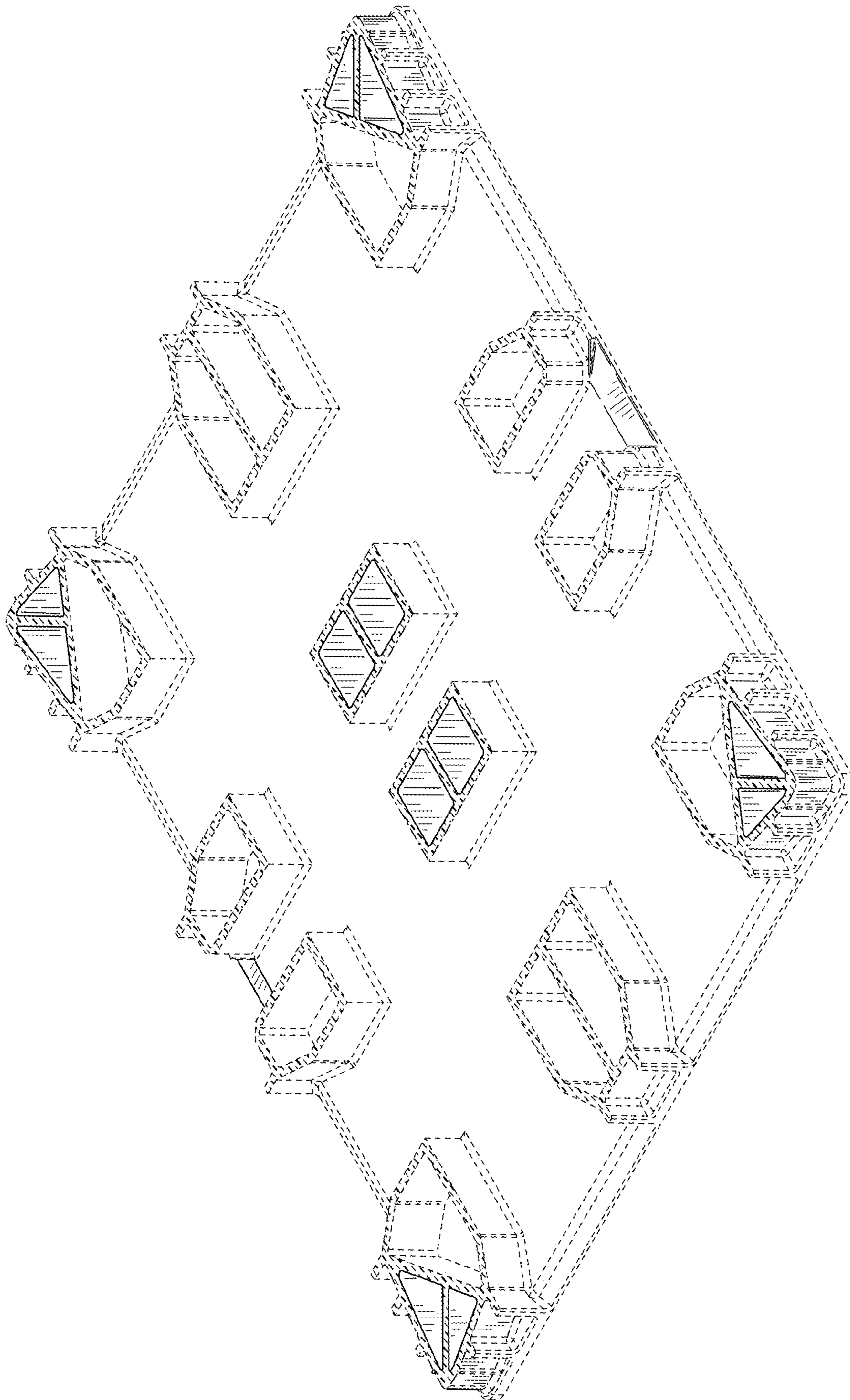


FIG. 2

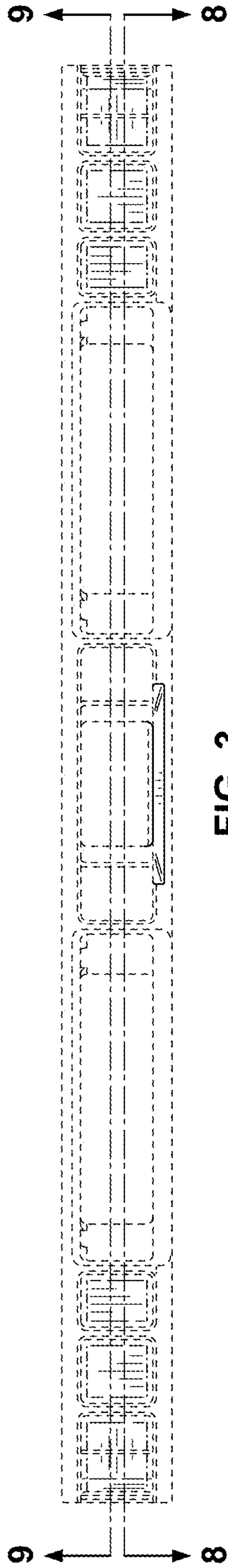


FIG. 3

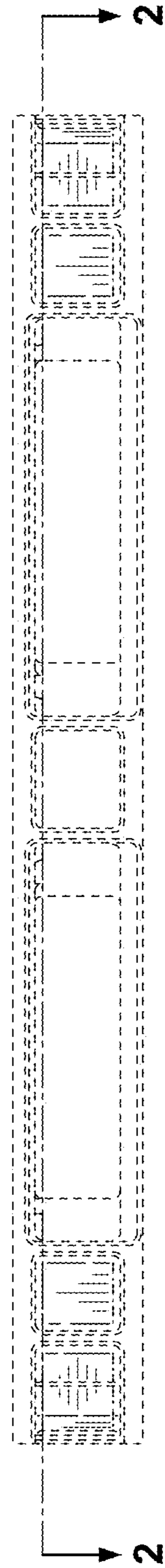
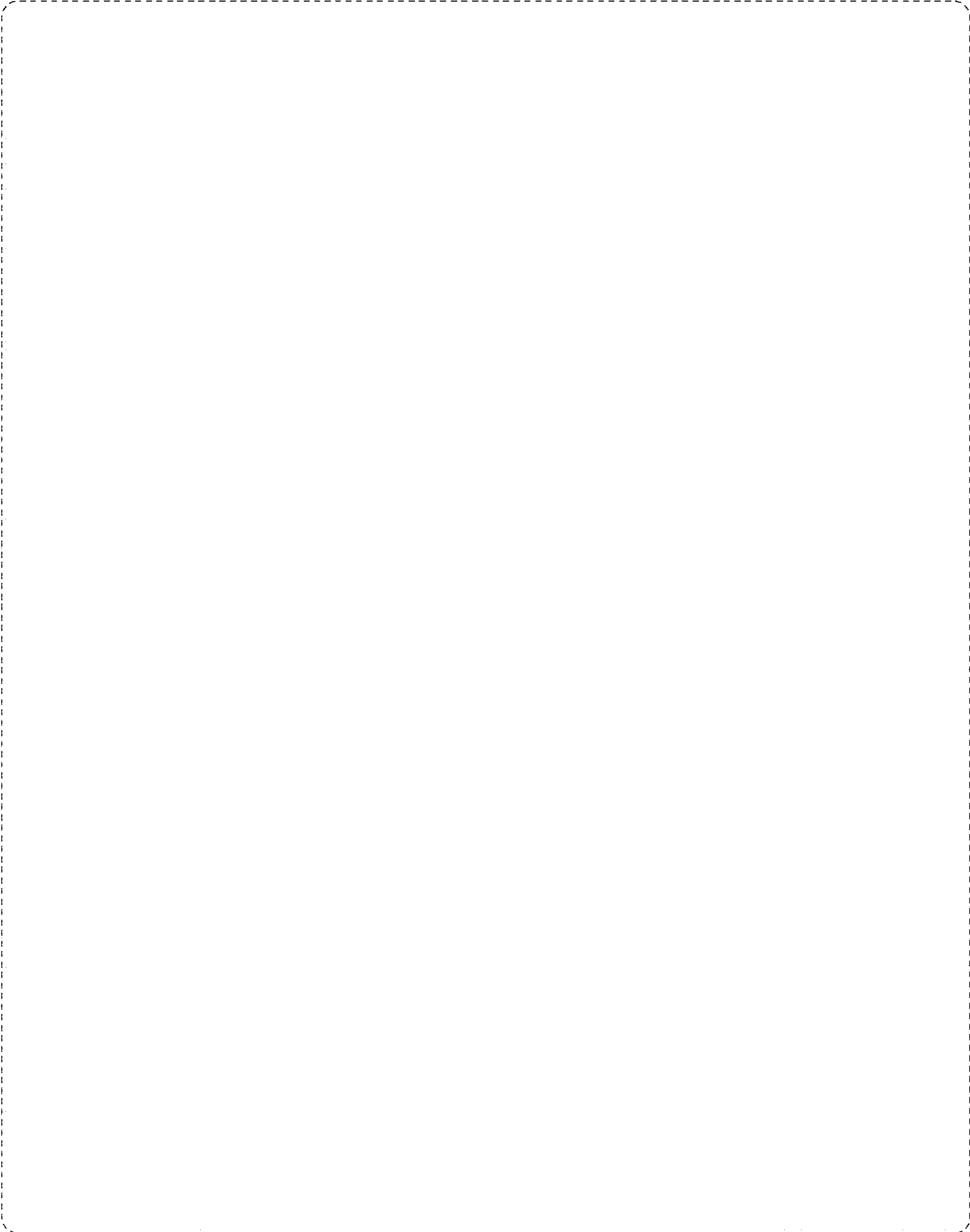


FIG. 4

FIG. 5



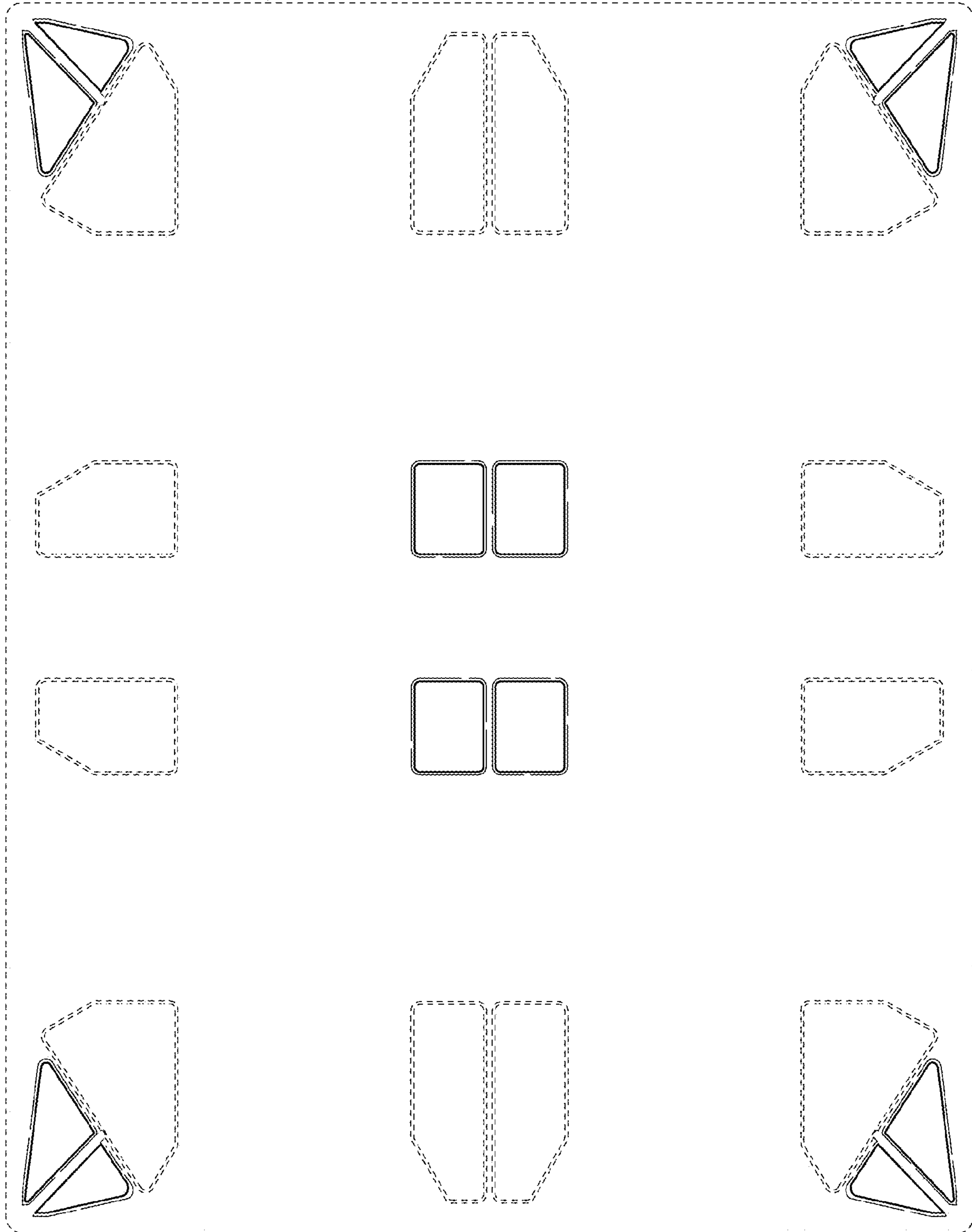


FIG. 6

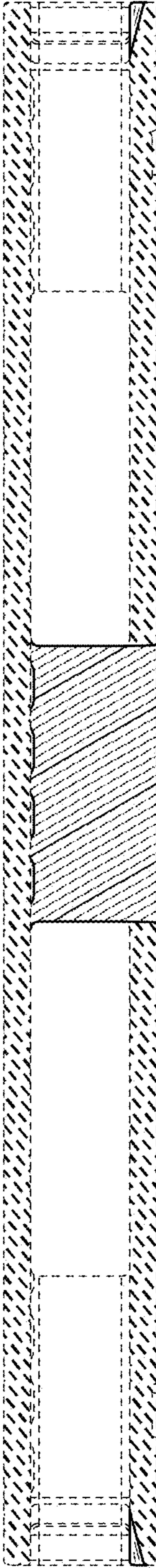


FIG. 7



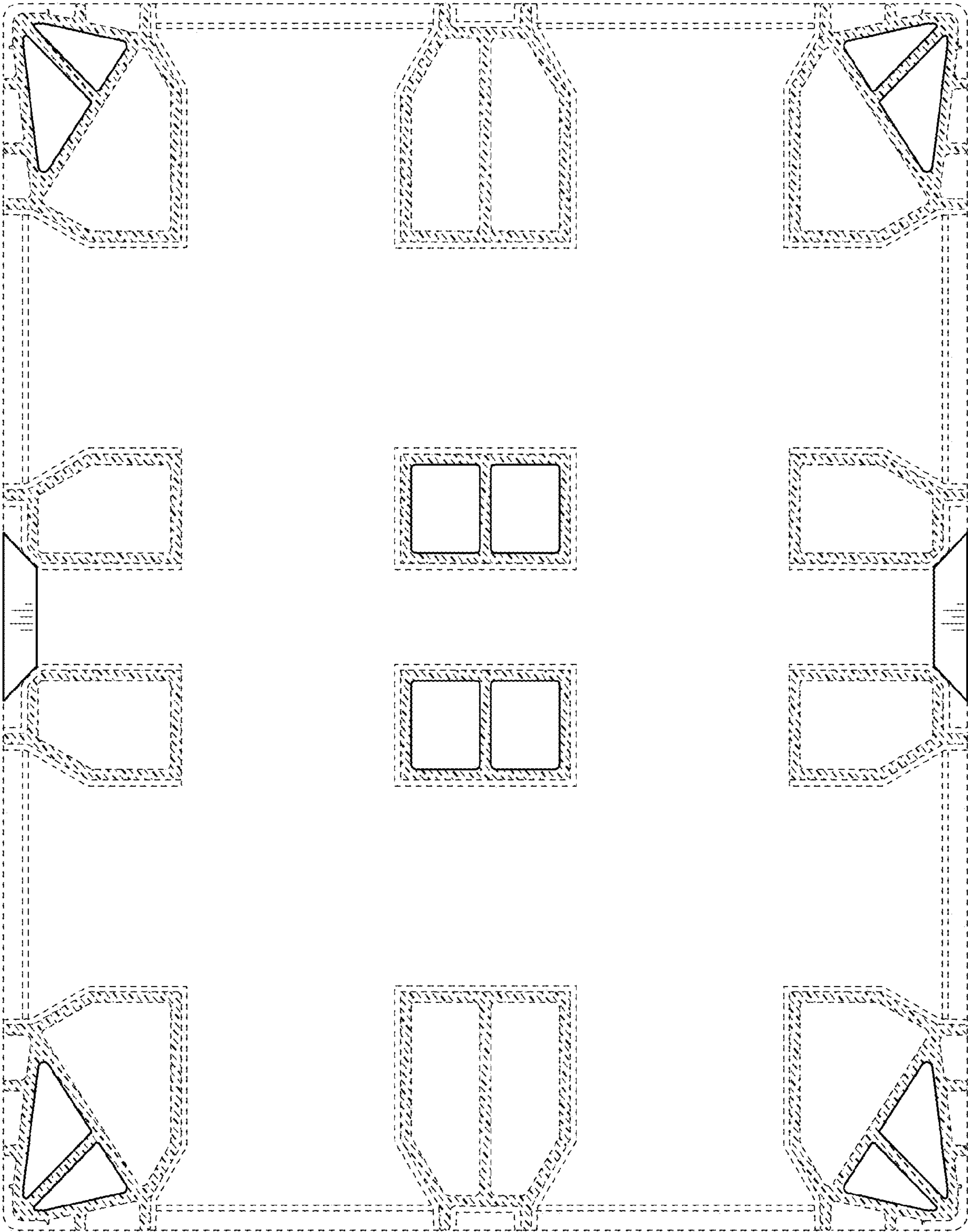


FIG. 8

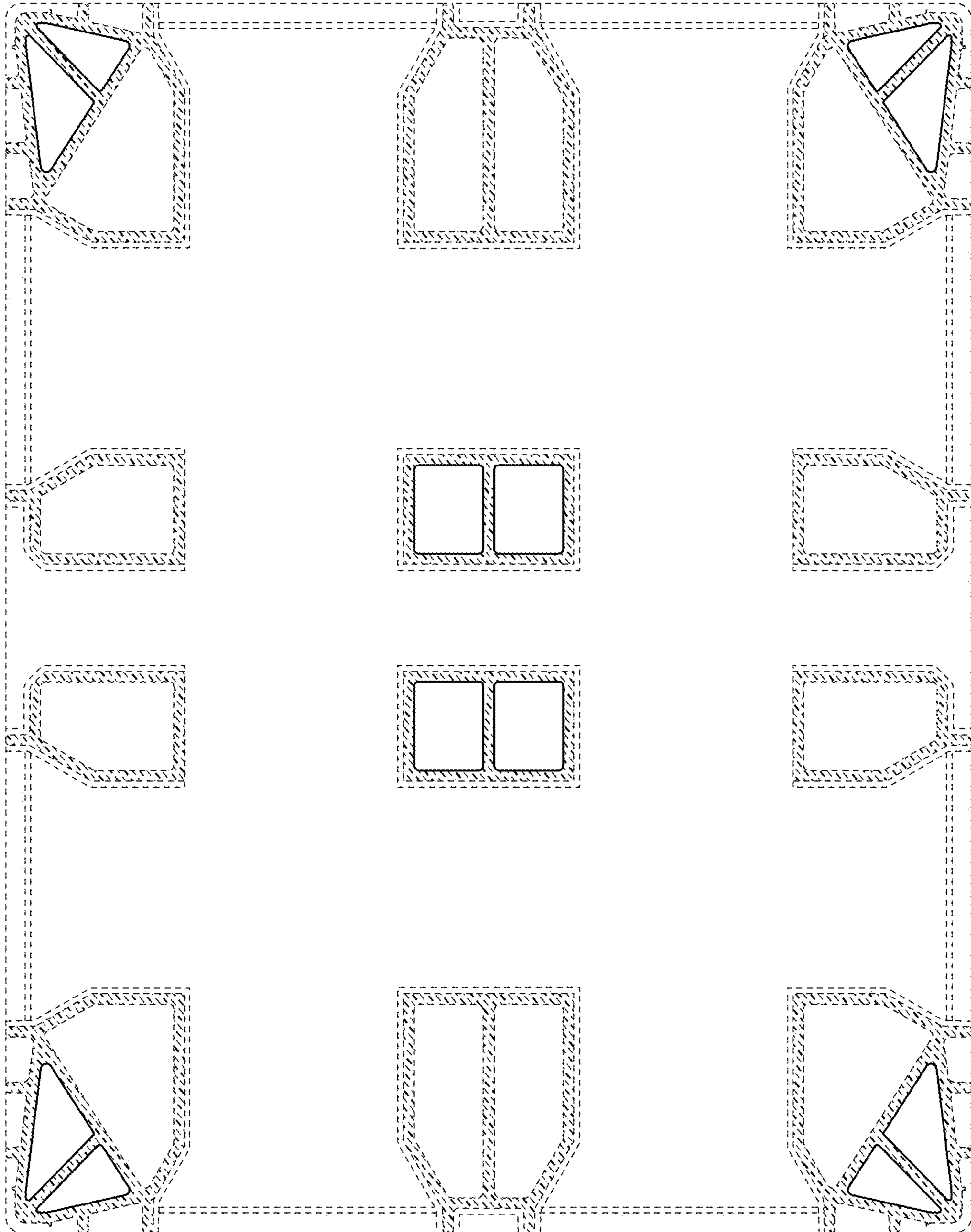


FIG. 9

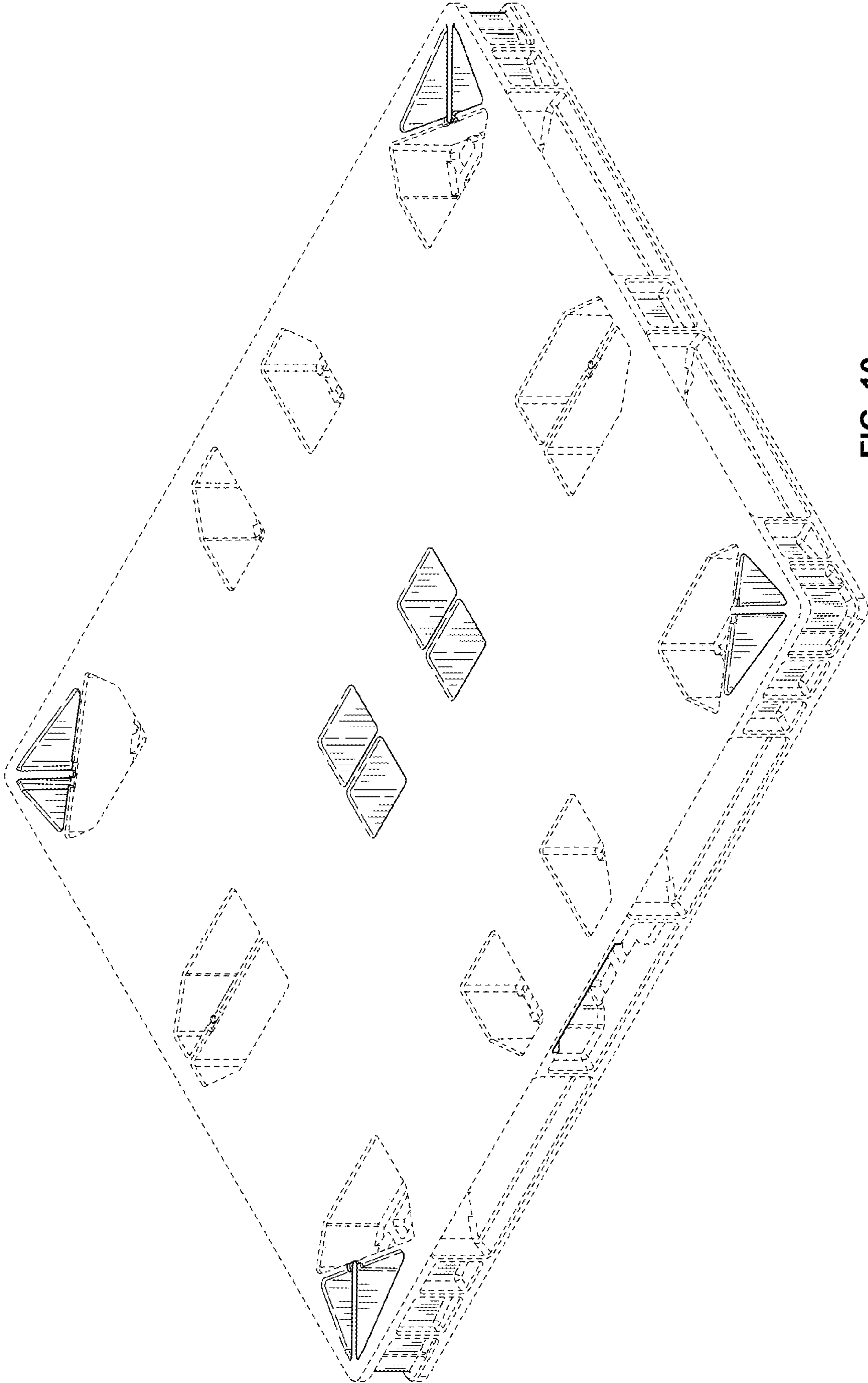


FIG. 10