

US00D927117S

(12) **United States Design Patent** (10) **Patent No.:** **US D927,117 S**
Kleinikkink et al. (45) **Date of Patent:** **** Aug. 3, 2021**

(54) **SHUTTLE FOR A CONVEYOR SYSTEM**

(71) Applicant: **ATS AUTOMATION TOOLING SYSTEMS INC.**, Cambridge (CA)

(72) Inventors: **Albert Kleinikkink**, Cambridge (CA);
Louis Ian Cameron, Cambridge (CA);
Roger Hogan, Cambridge (CA)

(73) Assignee: **ATS AUTOMATION TOOLING SYSTEMS INC.**, Cambridge (CA)

(**) Term: **15 Years**

(21) Appl. No.: **29/702,544**

(22) Filed: **Aug. 20, 2019**

Related U.S. Application Data

(60) Division of application No. 29/649,187, filed on May 28, 2018, now Pat. No. Des. 878,001, which is a continuation of application No. 29/627,539, filed on Nov. 28, 2017, now abandoned.

(51) **LOC (13) Cl.** **12-05**

(52) **U.S. Cl.**
USPC **D34/35**

(58) **Field of Classification Search**
USPC D8/8, 358, 499; D34/28, 29, 30, 31, 32,
D34/33, 34, 35, 36, 37
CPC B65G 47/53; B65G 49/00; B62D 65/18;
F16C 13/00; F16H 55/36; H01L
21/67144; B21C 47/24; A47C 4/54; B07C
5/18

See application file for complete search history.

(56) **References Cited**

U.S. PATENT DOCUMENTS

3,280,410 A * 10/1966 Propst A47C 4/54
267/119
3,424,857 A * 1/1969 Kipp H02G 3/088
174/153 G

D219,297 S * 11/1970 Clay D34/31
3,568,825 A * 3/1971 Munger B65G 25/08
198/746
D291,777 S * 9/1987 Lapeyre D34/29
D299,425 S * 1/1989 Schroeder D34/29
4,842,251 A * 6/1989 Porter F16H 7/18
242/157 R
D326,408 S * 5/1992 Smith D8/499
D360,820 S * 8/1995 Haase D8/356
D381,574 S * 7/1997 Kruszka D6/718.31
D388,692 S * 1/1998 Anderson D8/358
D415,815 S * 10/1999 Kaneko D22/137
D415,816 S * 10/1999 Yamaguchi D22/137
D421,288 S * 2/2000 Yamaguchi D22/137
D421,479 S * 3/2000 Yamaguchi D22/137
D428,106 S * 7/2000 Yamaguchi D22/137
D443,816 S * 6/2001 Ikeda D8/396
6,415,904 B1 * 7/2002 Markiewicz B21C 47/24
198/463.3

(Continued)

Primary Examiner — Cynthia Ramirez

Assistant Examiner — Michael A Maharajh

(74) *Attorney, Agent, or Firm* — Gowling WLG (Canada) LLP; Neil W. Henderson

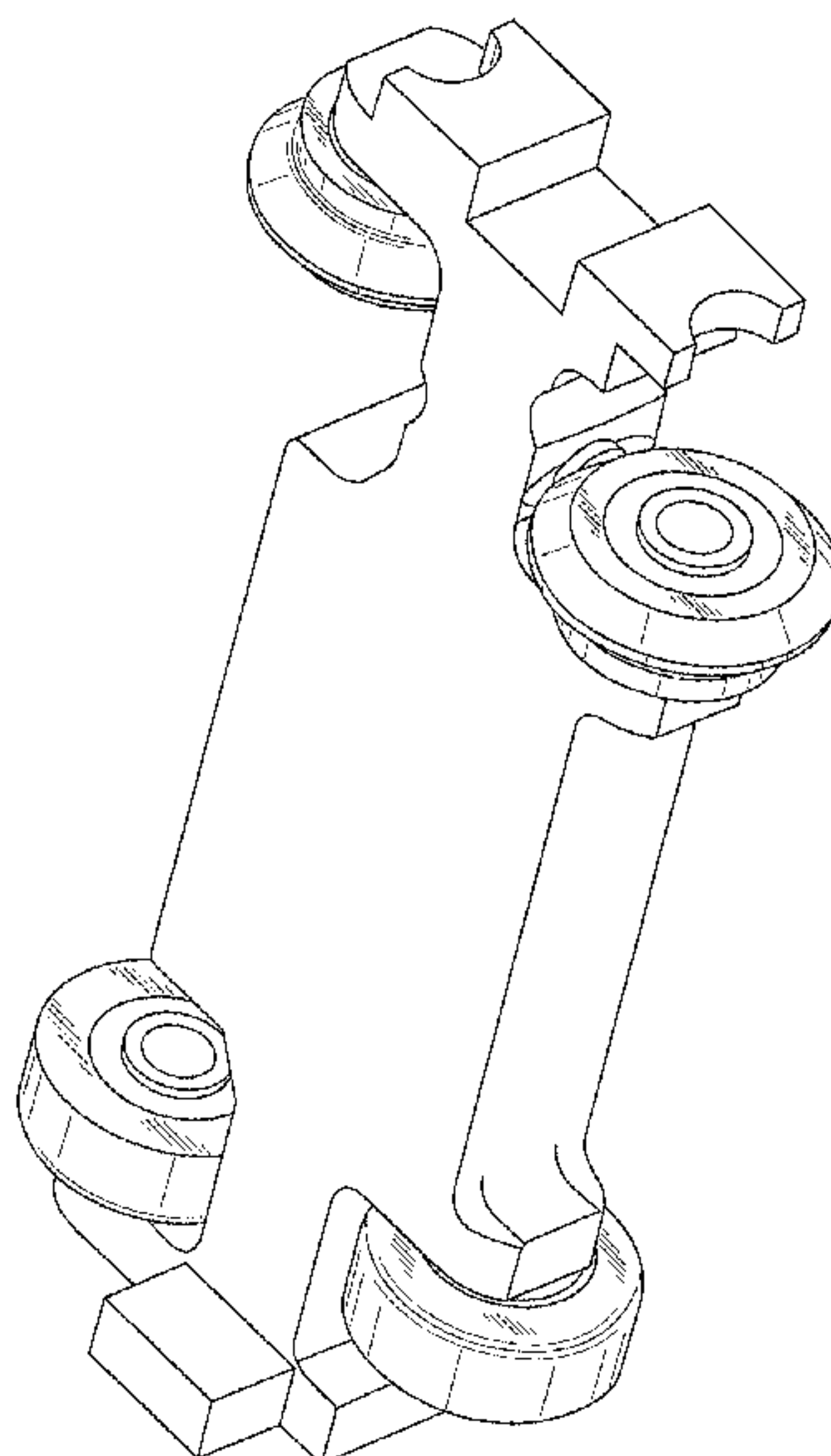
(57) **CLAIM**

The ornamental design for a shuttle for a conveyor system, as shown and described.

DESCRIPTION

FIG. 1 is a top left perspective view of a shuttle for a conveyor system showing our new design.
FIG. 2 is a bottom right perspective view thereof.
FIG. 3 is a front view thereof.
FIG. 4 is rear a view thereof.
FIG. 5 is a top view thereof.
FIG. 6 is a bottom view thereof.
FIG. 7 is a left view thereof; and,
FIG. 8 is a right view thereof.

1 Claim, 8 Drawing Sheets



(56)

References Cited

U.S. PATENT DOCUMENTS

6,554,128	B1 *	4/2003	Davis	H01L 21/67144
					198/468.4
D580,261	S *	11/2008	Bulte	D8/387
D608,900	S *	1/2010	Giraud	D24/216
D618,086	S *	6/2010	Taatjes	D8/358
D624,571	S *	9/2010	Hagleitner	D15/143
D627,216	S *	11/2010	Fulginiti	D8/499
D658,478	S *	5/2012	Wall	D8/349
8,528,720	B2 *	9/2013	Mizukoshi	B65G 47/642
					198/358
8,746,435	B2 *	6/2014	Nijland	B07C 5/342
					198/370.04
D718,136	S *	11/2014	Harrity	D9/499
D759,334	S *	6/2016	Aoki	D34/28
D782,180	S *	3/2017	Eberhard	D3/18
D811,858	S *	3/2018	Martino	D8/356
D878,001	S *	3/2020	Kleinikkink	D34/35
2019/0375597	A1 *	12/2019	Kleinikkink	B65G 54/02
2021/0032039	A1 *	2/2021	Hogan	B65G 15/60

* cited by examiner

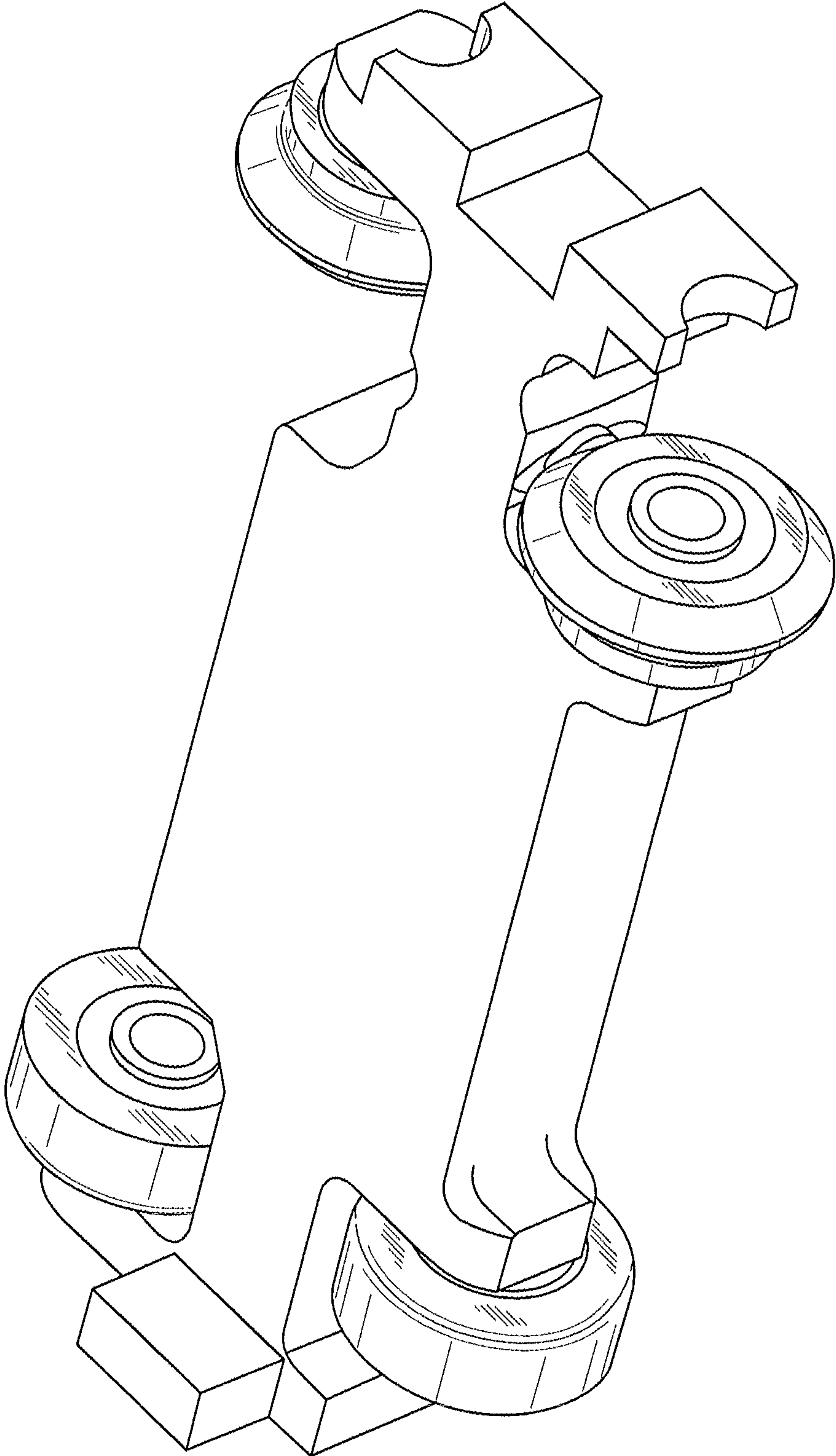


FIG. 1

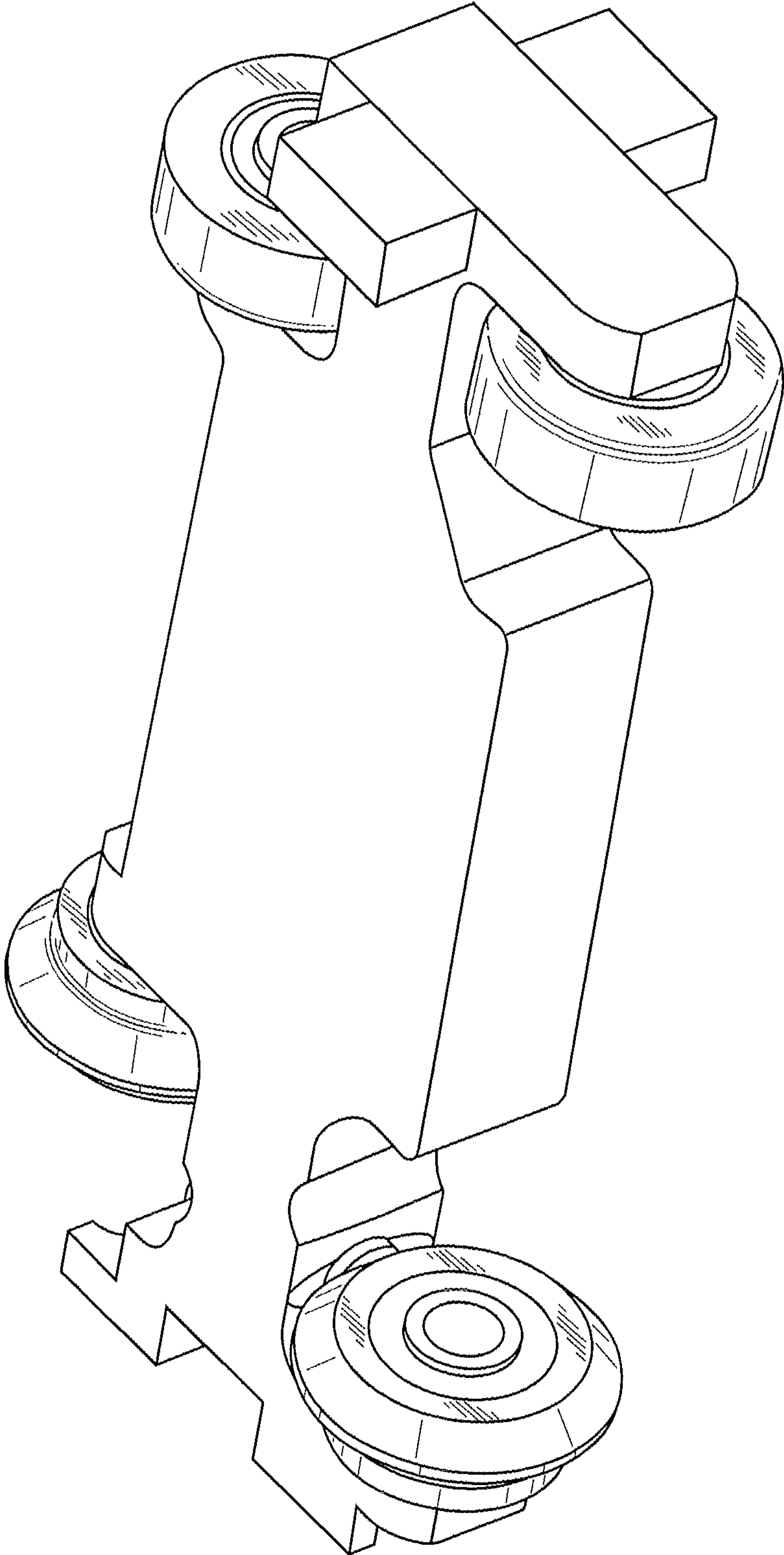


FIG. 2

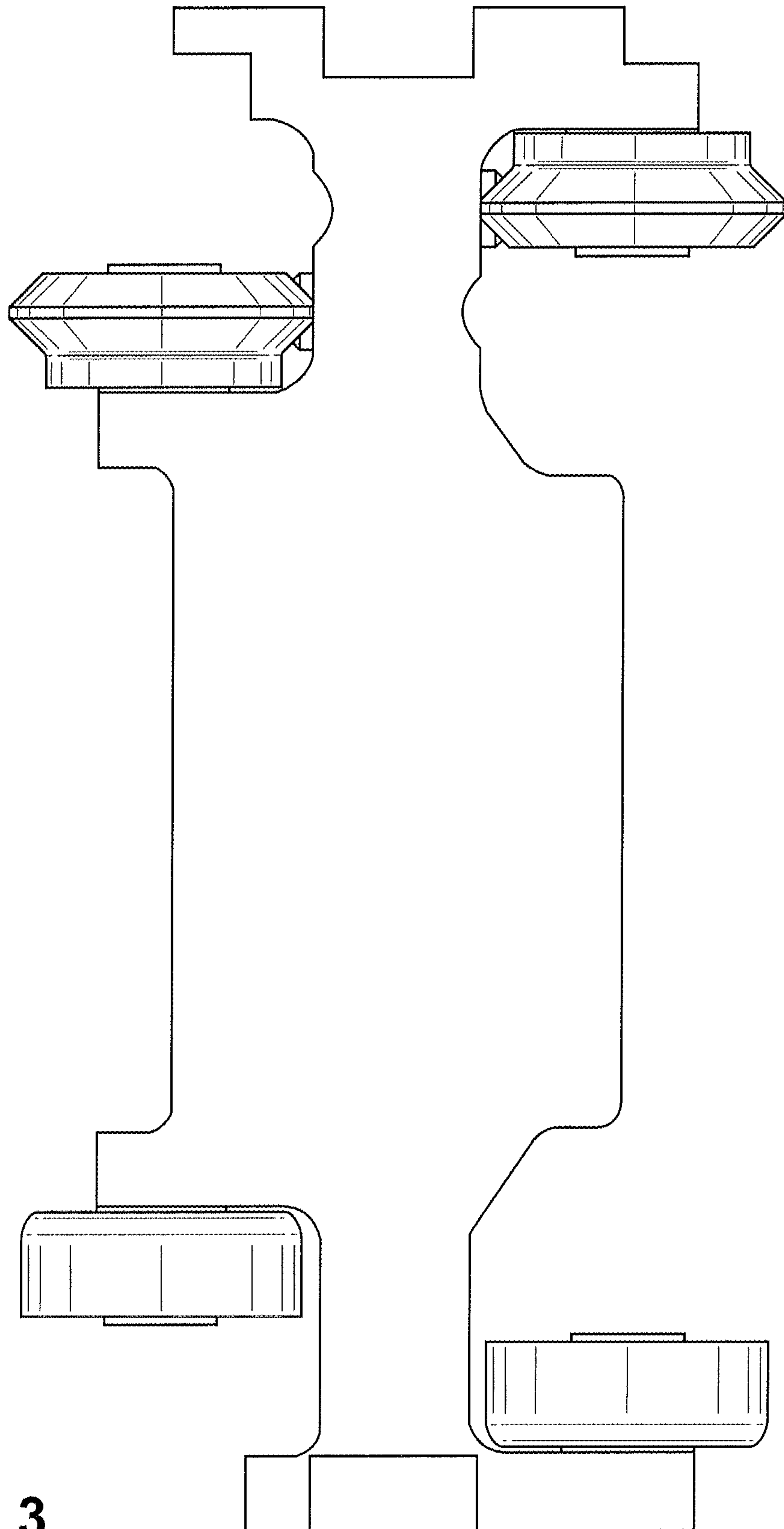


FIG. 3

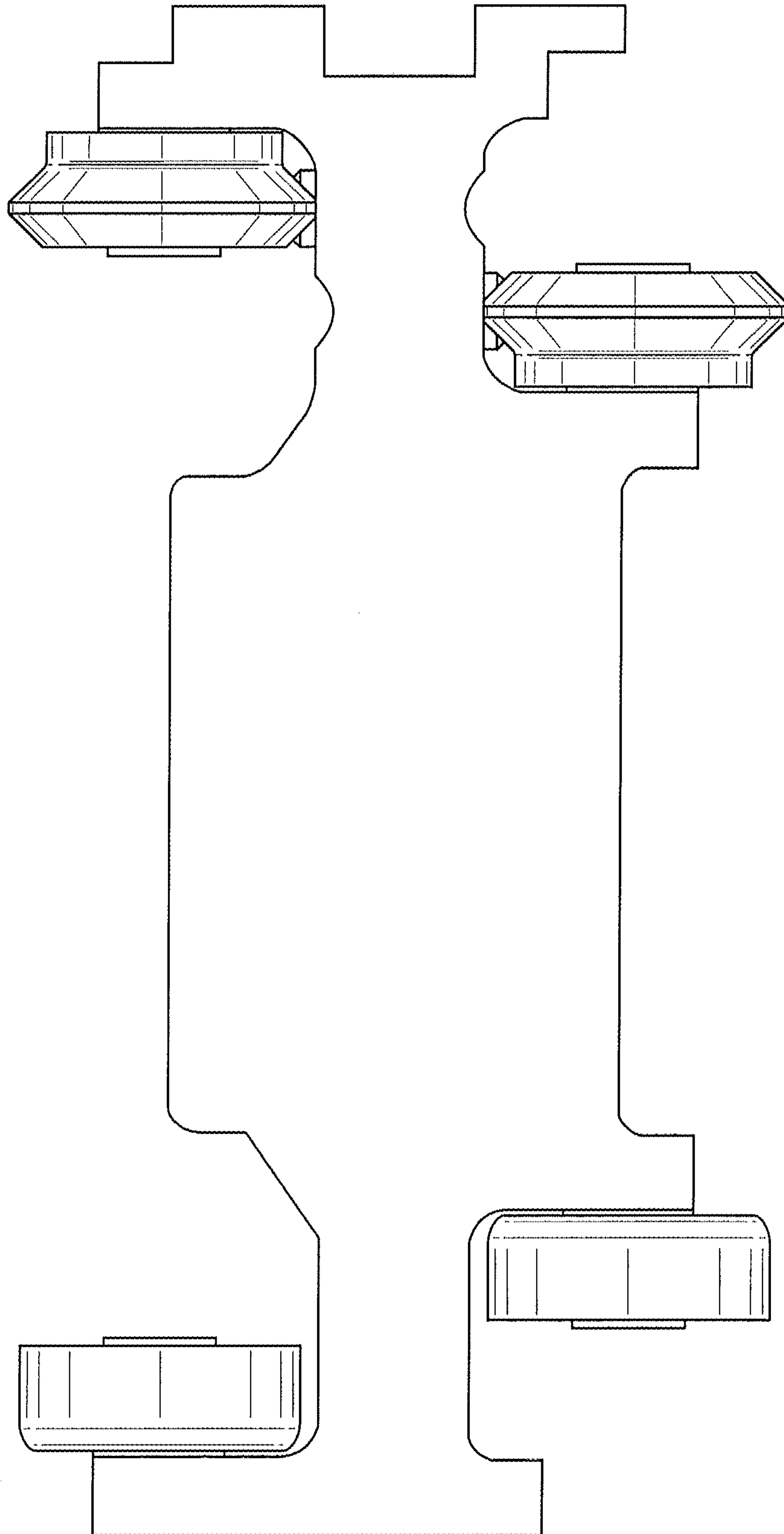


FIG. 4

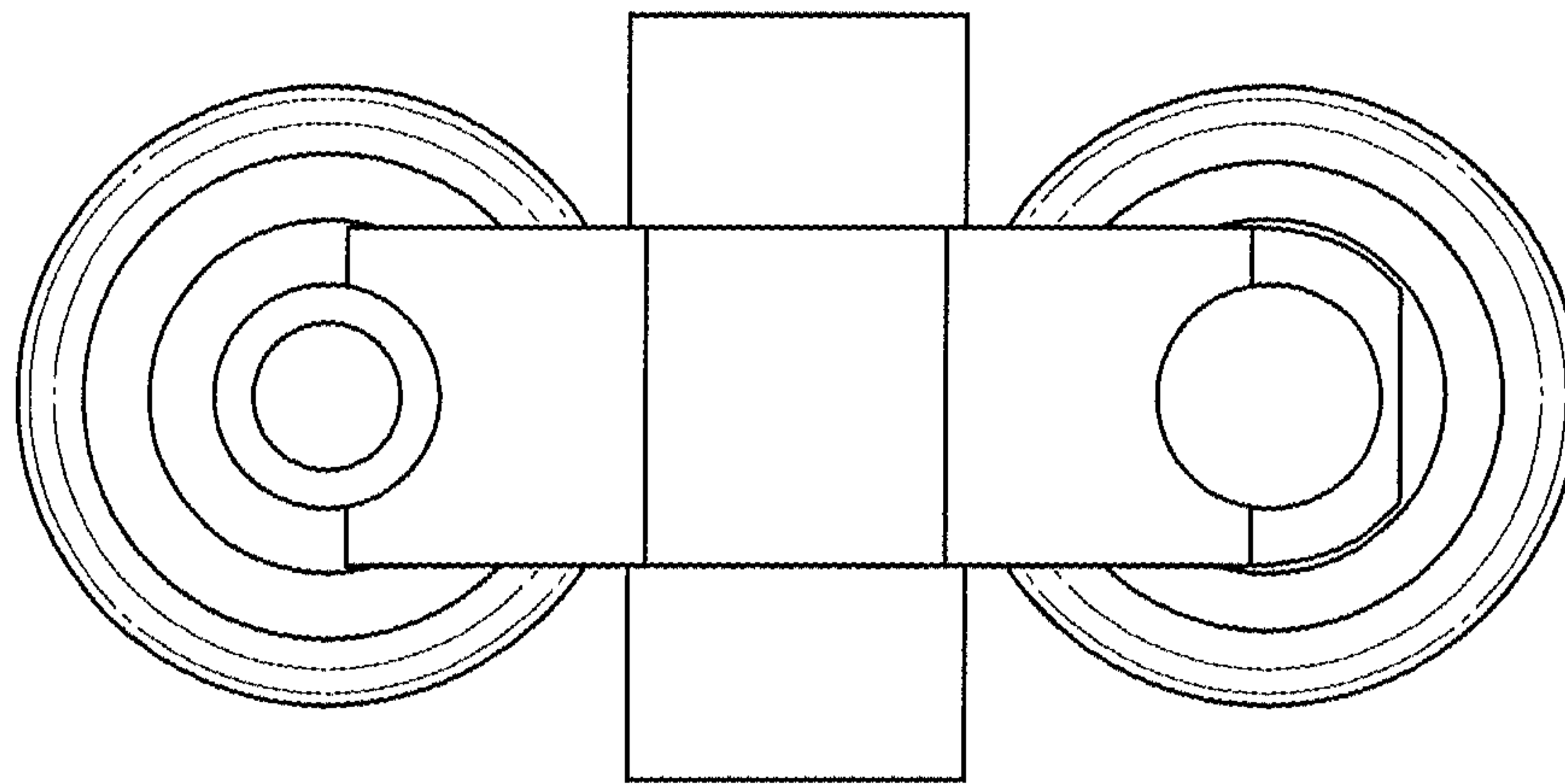


FIG. 5

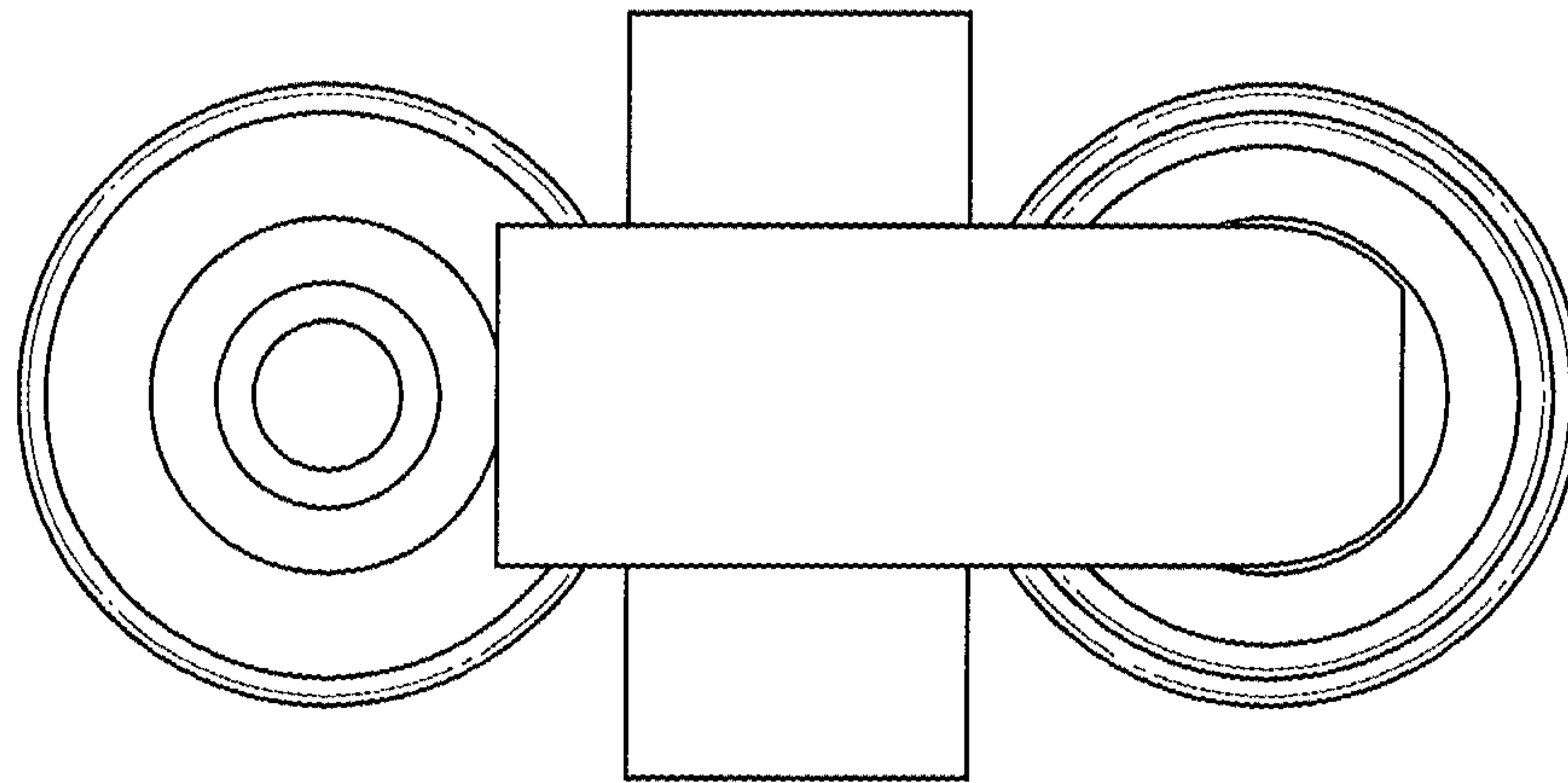


FIG. 6

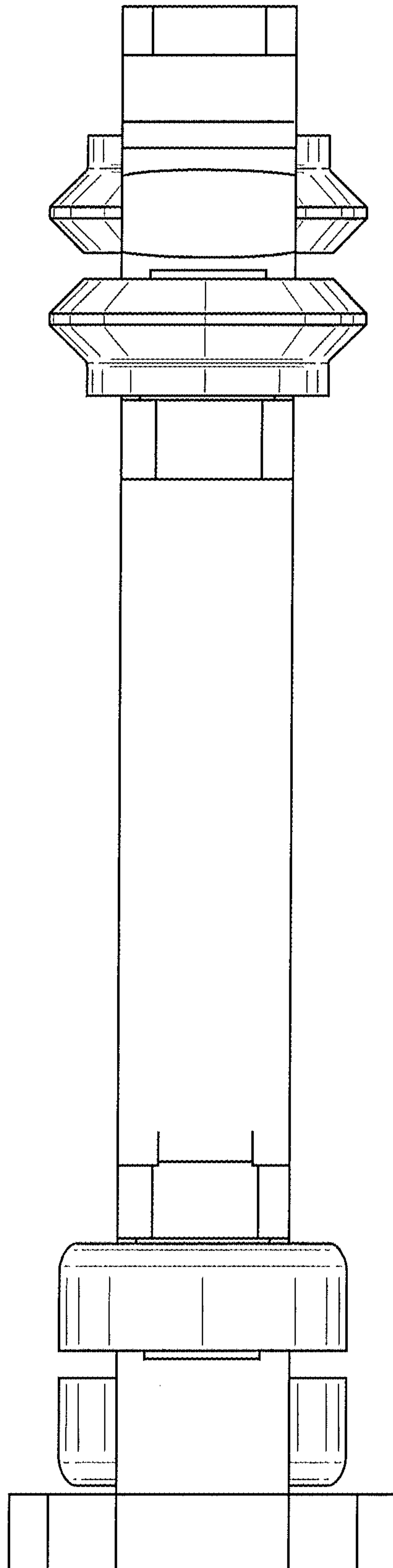


FIG. 7

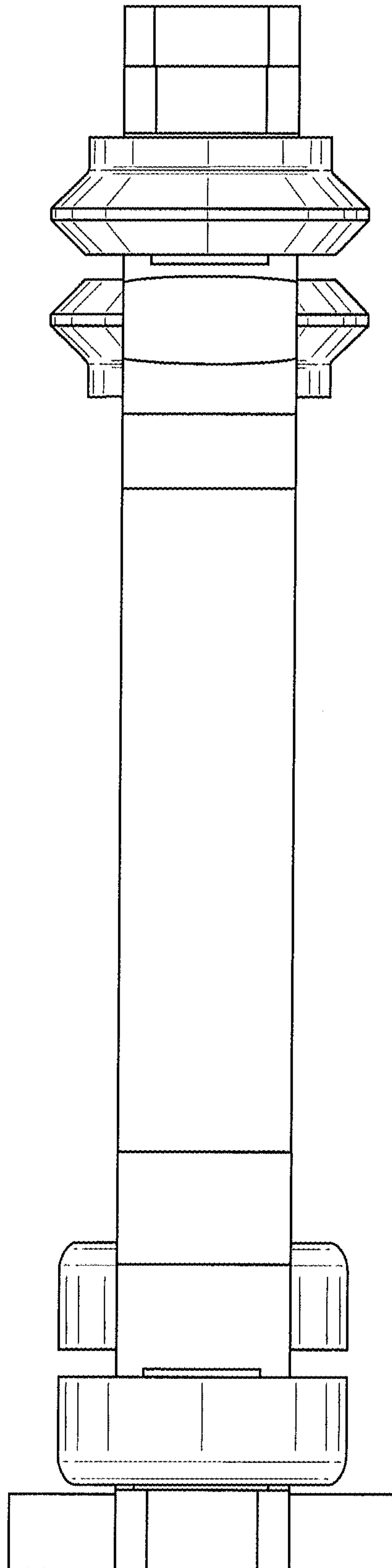


FIG. 8