

US00D927116S

(12) **United States Design Patent**
Demartini

(10) **Patent No.:** **US D927,116 S**

(45) **Date of Patent:** **** Aug. 3, 2021**

(54) **CART**

(71) Applicant: **Matthew Demartini**, Castro Valley, CA
(US)

(72) Inventor: **Matthew Demartini**, Castro Valley, CA
(US)

(**) Term: **15 Years**

(21) Appl. No.: **29/682,701**

(22) Filed: **Mar. 7, 2019**

(51) **LOC (13) Cl.** **12-02**

(52) **U.S. Cl.**
USPC **D34/12**

(58) **Field of Classification Search**
USPC D34/12, 14, 17, 20
CPC .. B62B 3/264; B62B 3/14; B62B 3/12; B62B
3/047; B62B 3/04; B62B 3/1476; B62B
3/002; B62B 5/0438; B62B 3/02; B62B
3/006; B62B 3/10

See application file for complete search history.

(56) **References Cited**

U.S. PATENT DOCUMENTS

D295,337 S *	4/1988	Bogart	280/35
D313,878 S	1/1991	Rinkewich		
D381,170 S *	7/1997	Dawkins	D34/17
9,233,702 B1 *	1/2016	Warnke	B62B 3/02
D756,585 S *	5/2016	Rowlinson	D34/17
D811,682 S *	2/2018	Davis	D34/17
D862,025 S *	10/2019	Walter	D34/12

D874,777 S *	2/2020	Tuncel	D34/17
D891,722 S *	7/2020	Ruggiero	D34/14
2003/0205875 A1 *	11/2003	Ondrasik	B62B 3/1476 280/47.34
2015/0028616 A1 *	1/2015	Kroening	B60B 33/001 296/3

OTHER PUBLICATIONS

County of San Mateo Purchase Order, Mar. 22, 2018.

* cited by examiner

Primary Examiner — Cynthia Ramirez

(74) *Attorney, Agent, or Firm* — Foster E. Dobry

(57) **CLAIM**

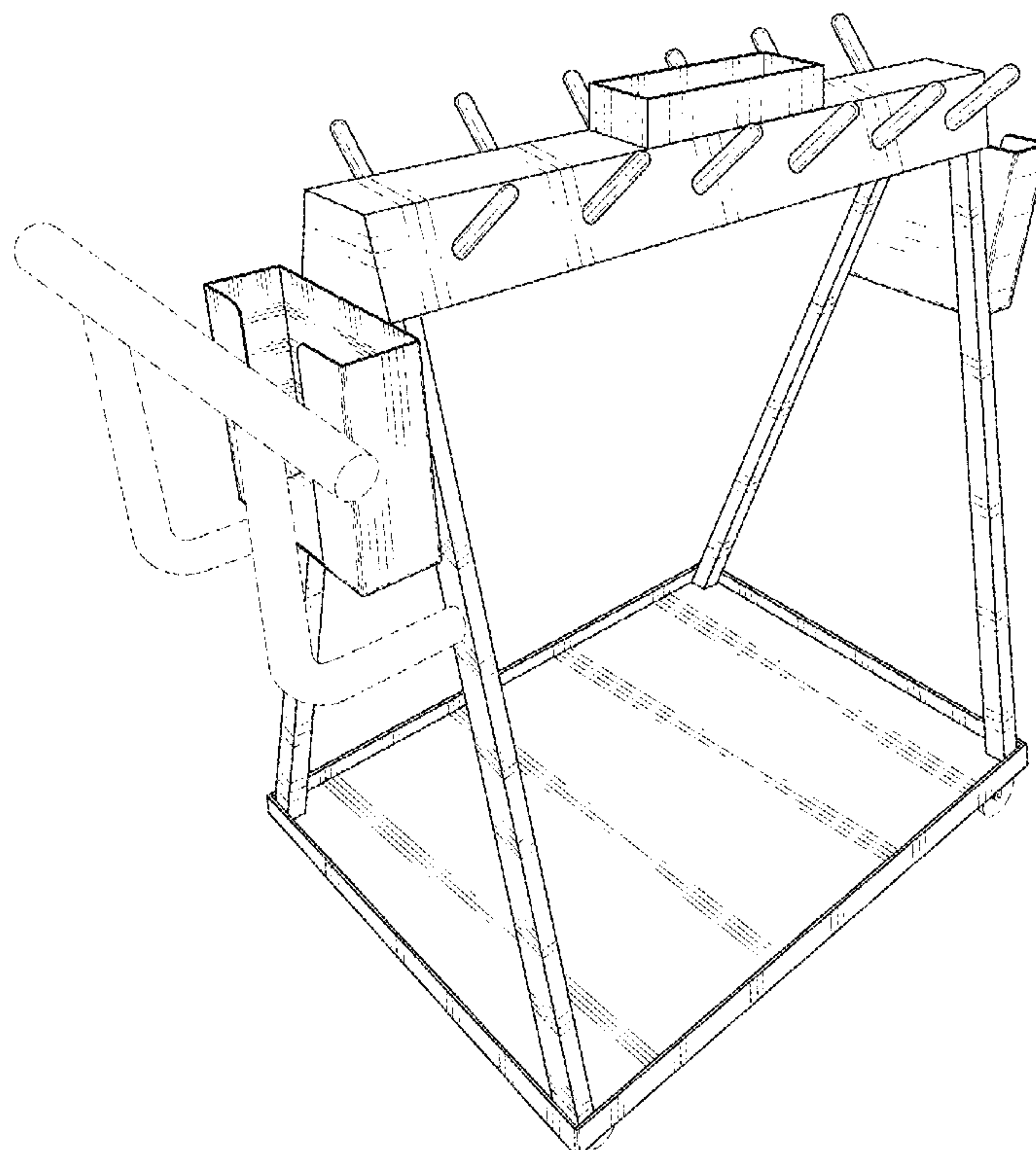
The ornamental design for a cart, as shown and described.

DESCRIPTION

FIG. 1 is a back perspective view of the cart.
 FIG. 2 is a back view thereof.
 FIG. 3 is a front view thereof.
 FIG. 4 is a right side view thereof.
 FIG. 5 is a left side view thereof.
 FIG. 6 is a top view thereof.
 FIG. 7 is a bottom view thereof; and,
 FIG. 8 is a back perspective view thereof, shown in condition of use.

The broken lines in the figures show portions of the cart, which form no part of the claimed design. The broken lines showing handcuffs in FIG. 8 show environment, and form no part of the claimed design.

1 Claim, 8 Drawing Sheets



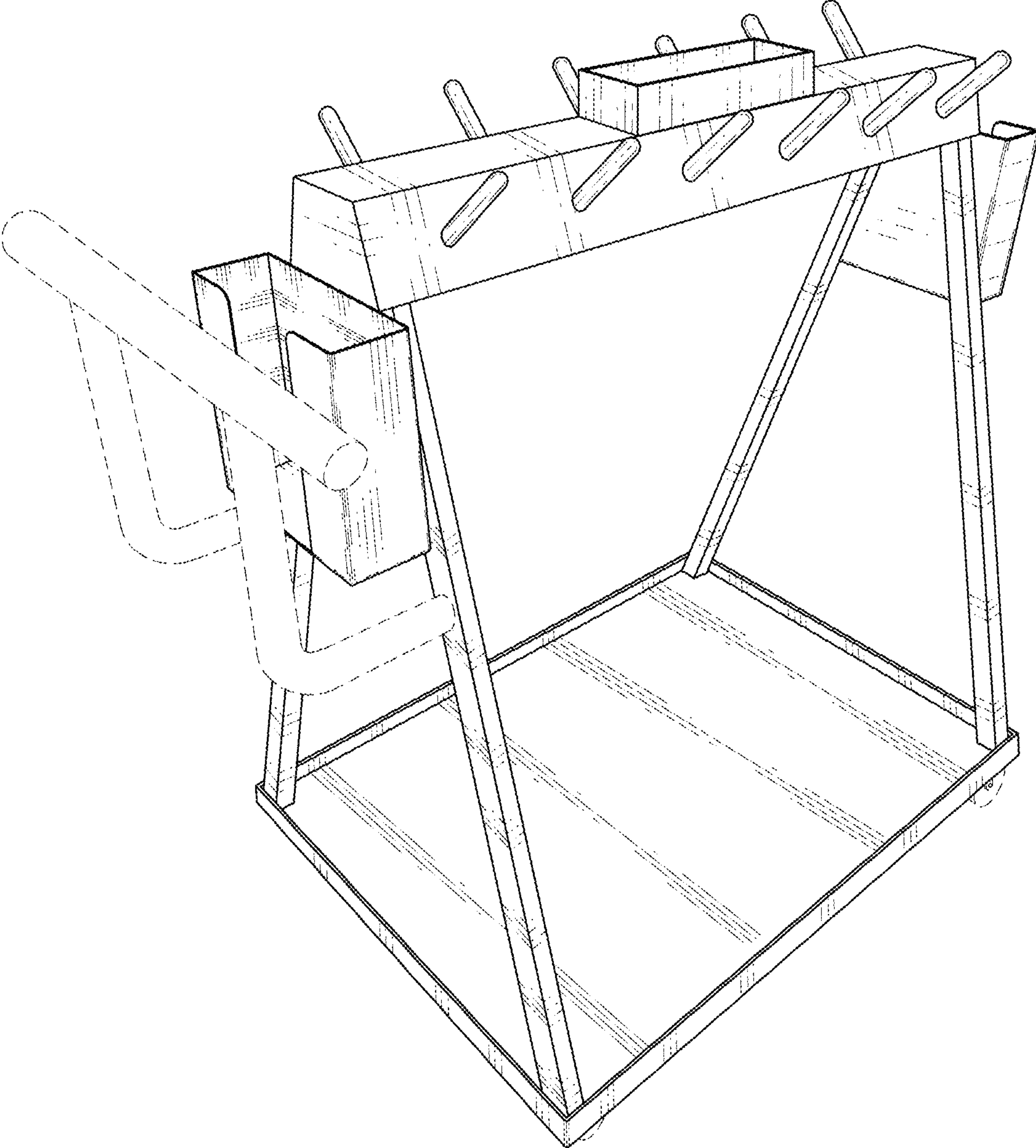


FIG. 1

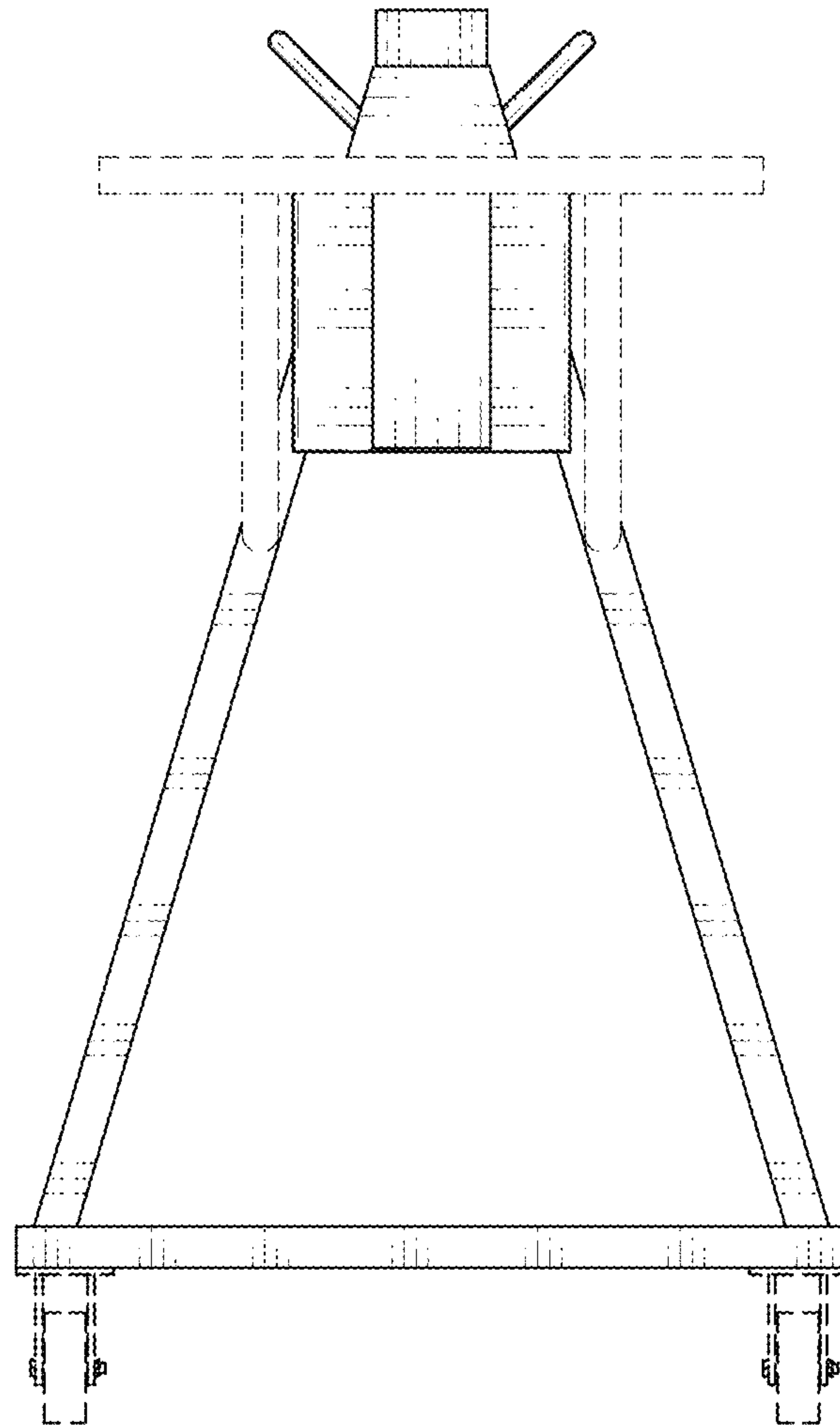


FIG. 2

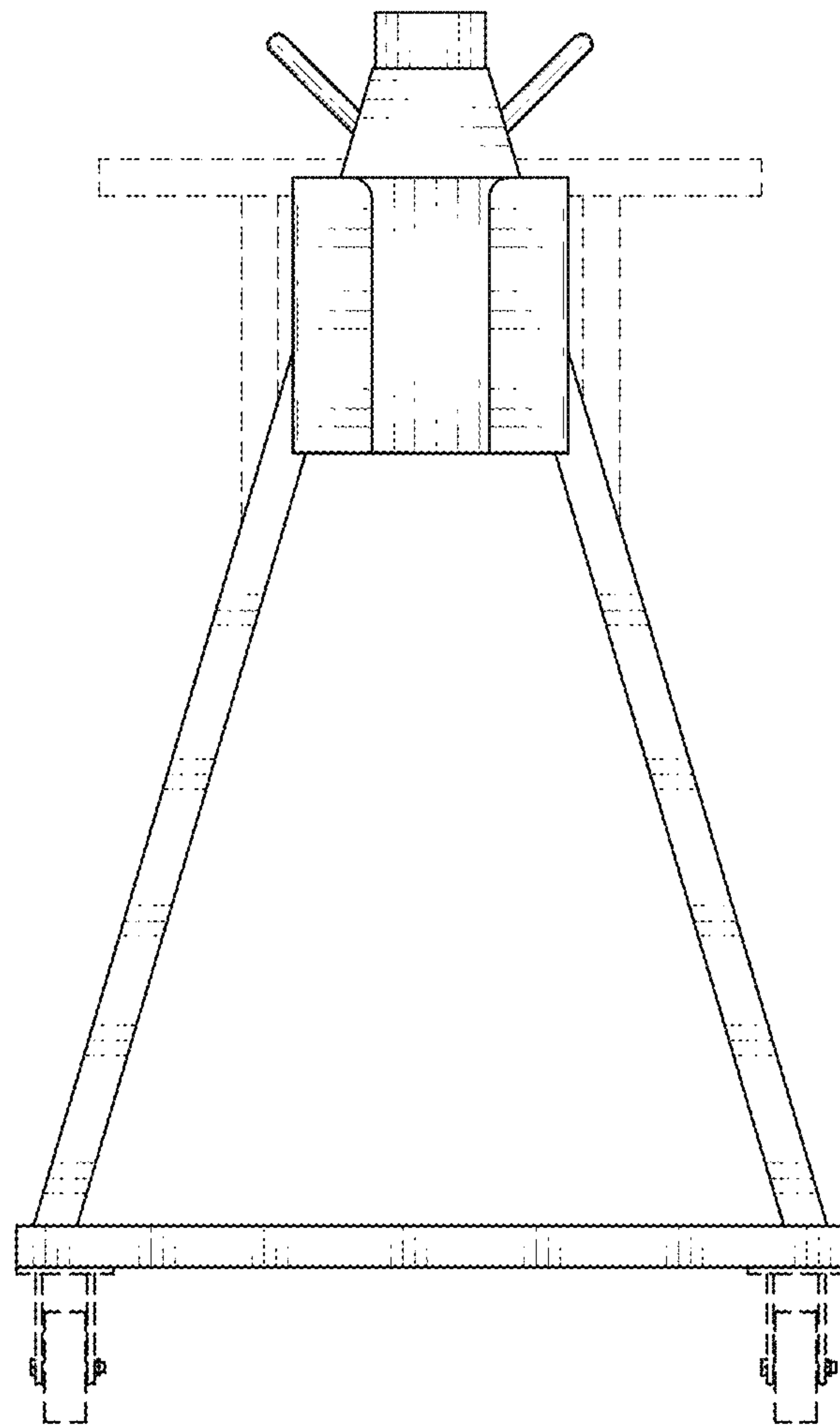


FIG. 3

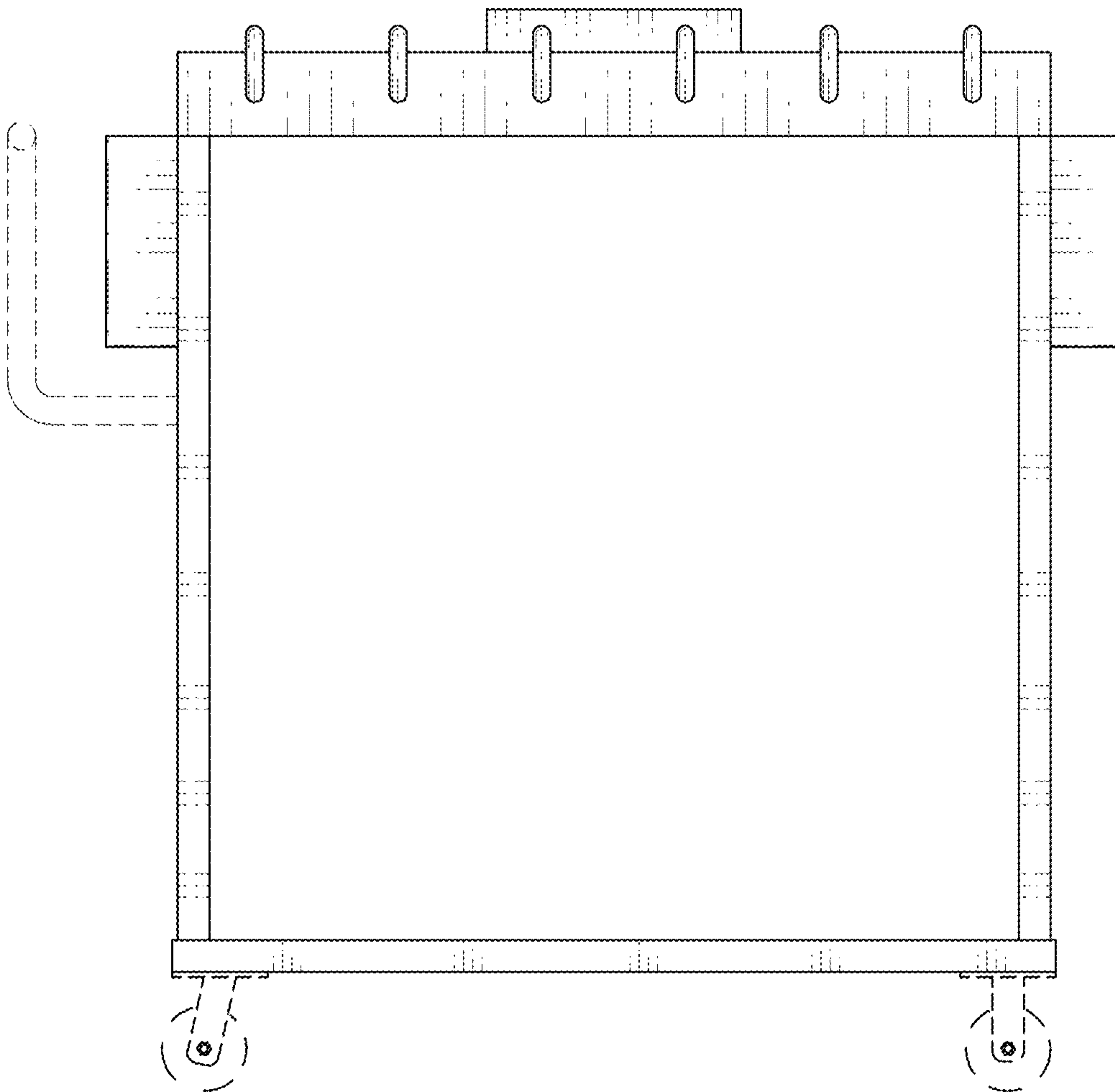


FIG. 4

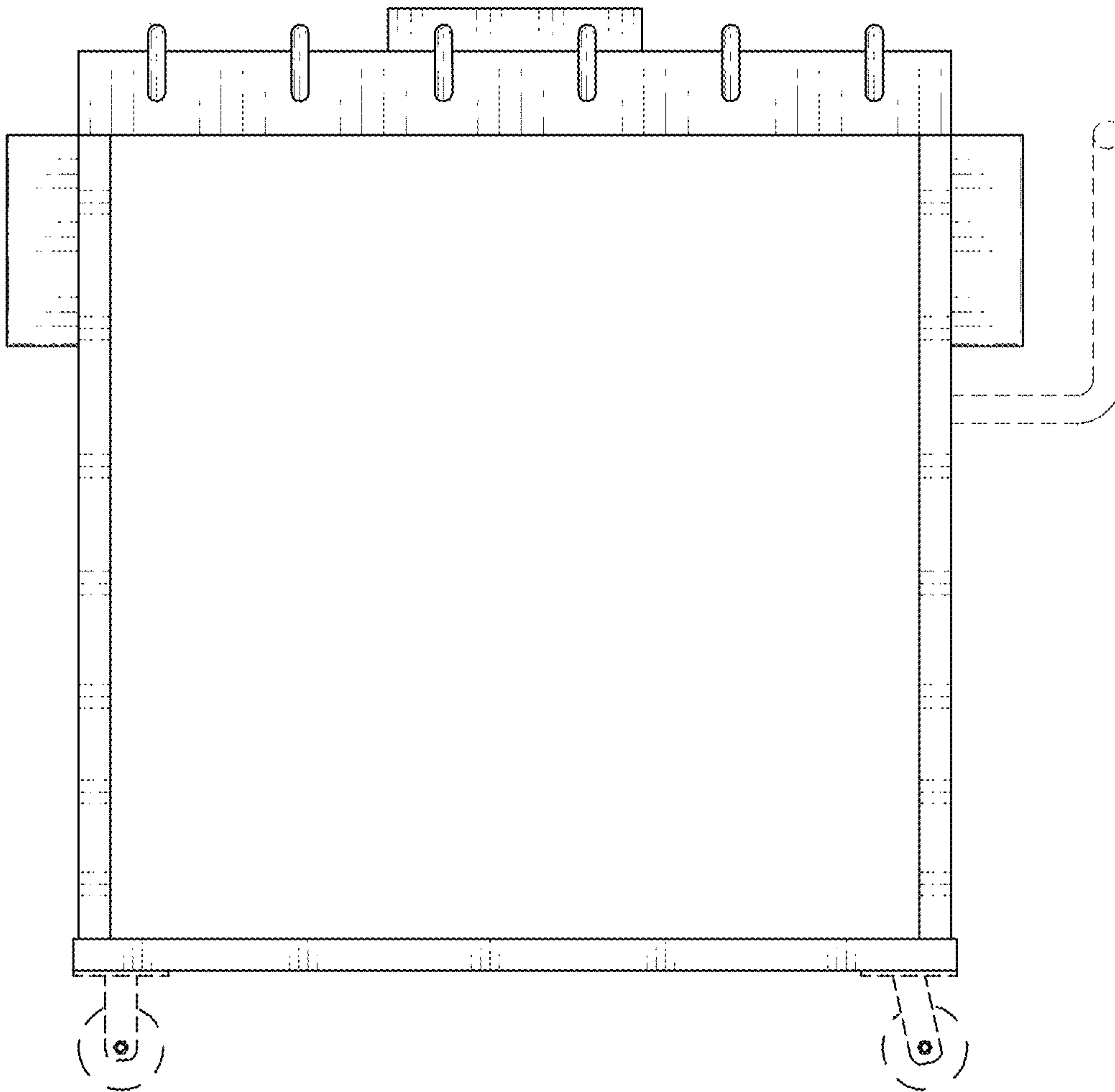


FIG. 5

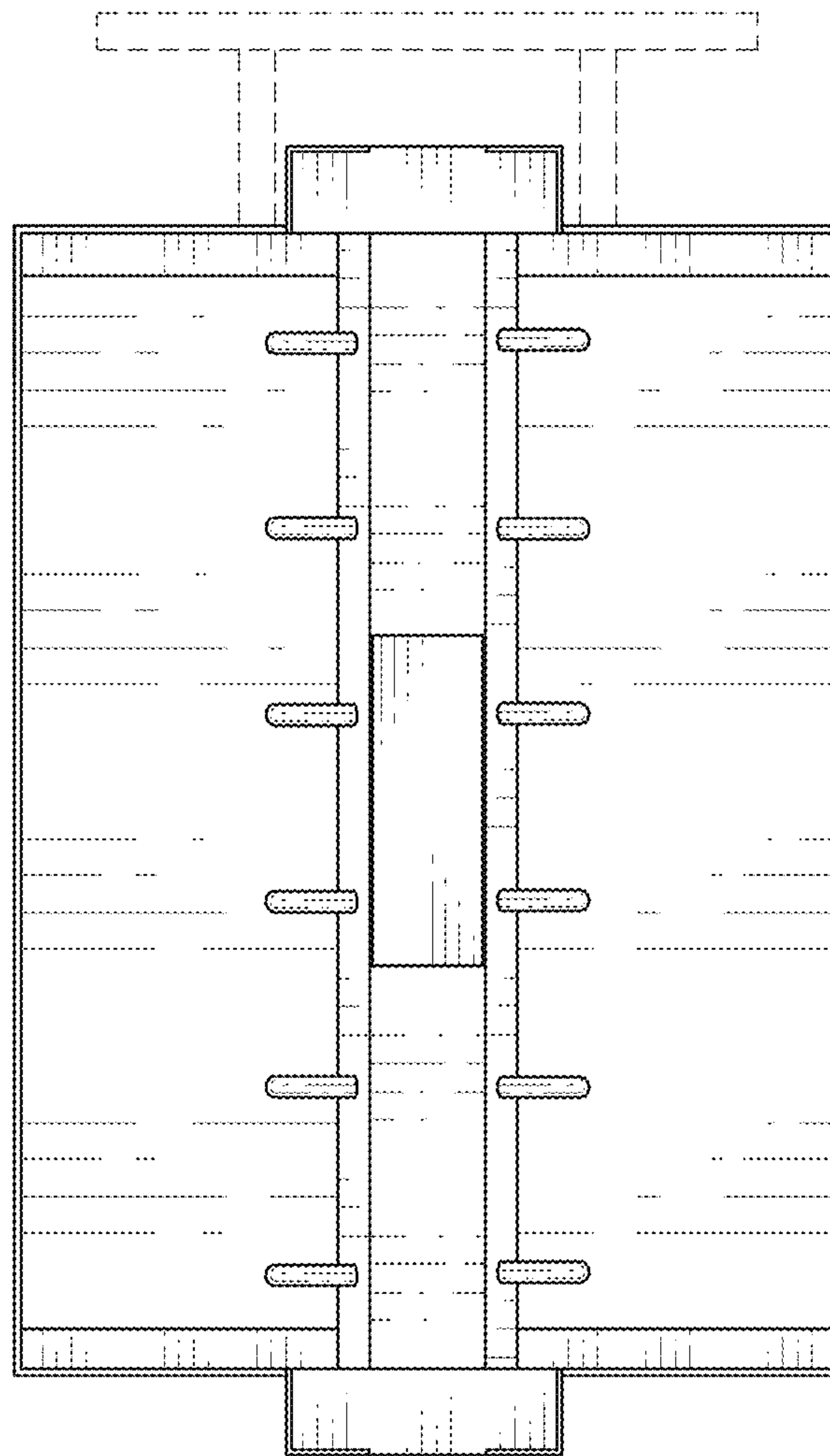


FIG. 6

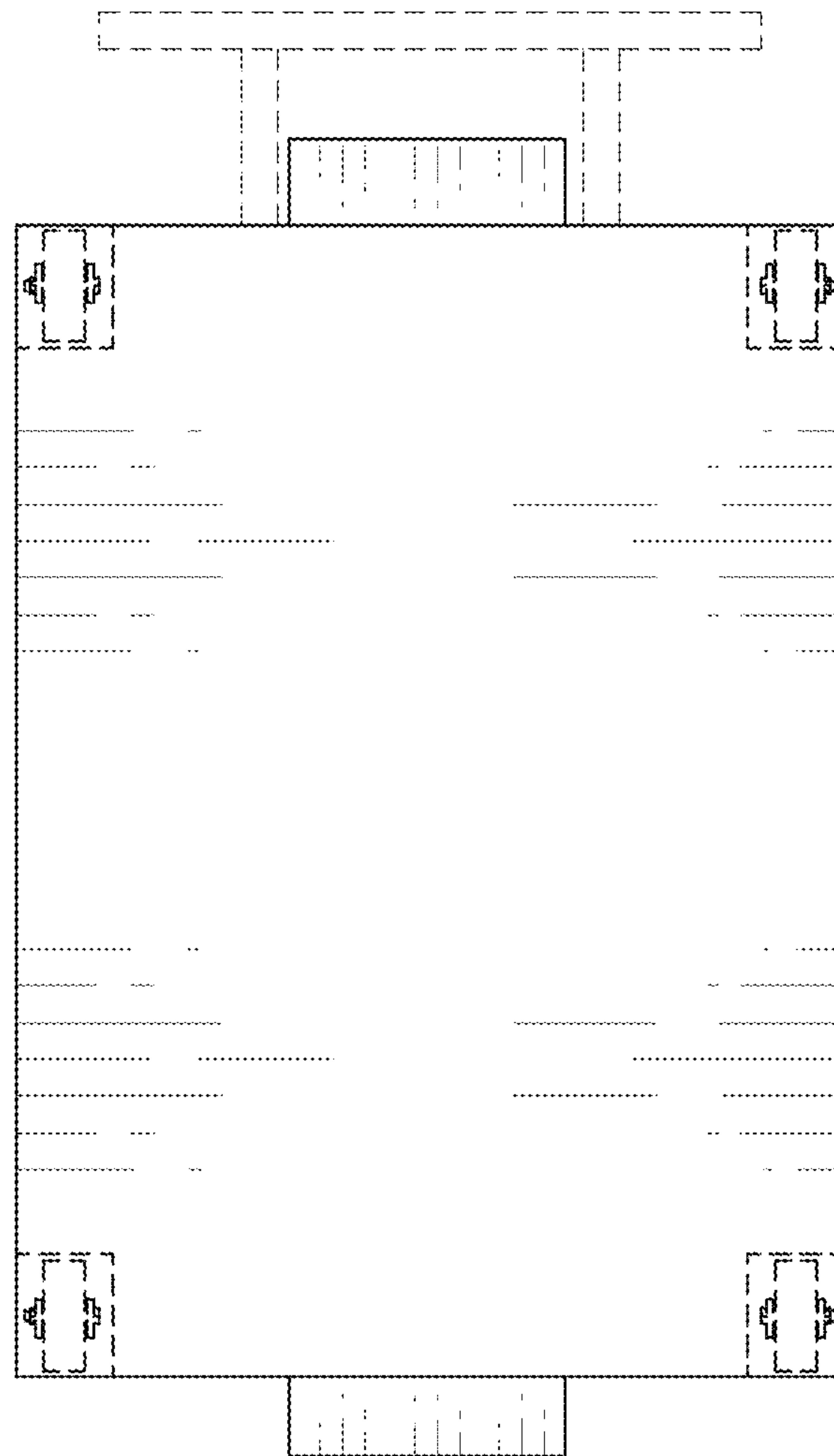


FIG. 7

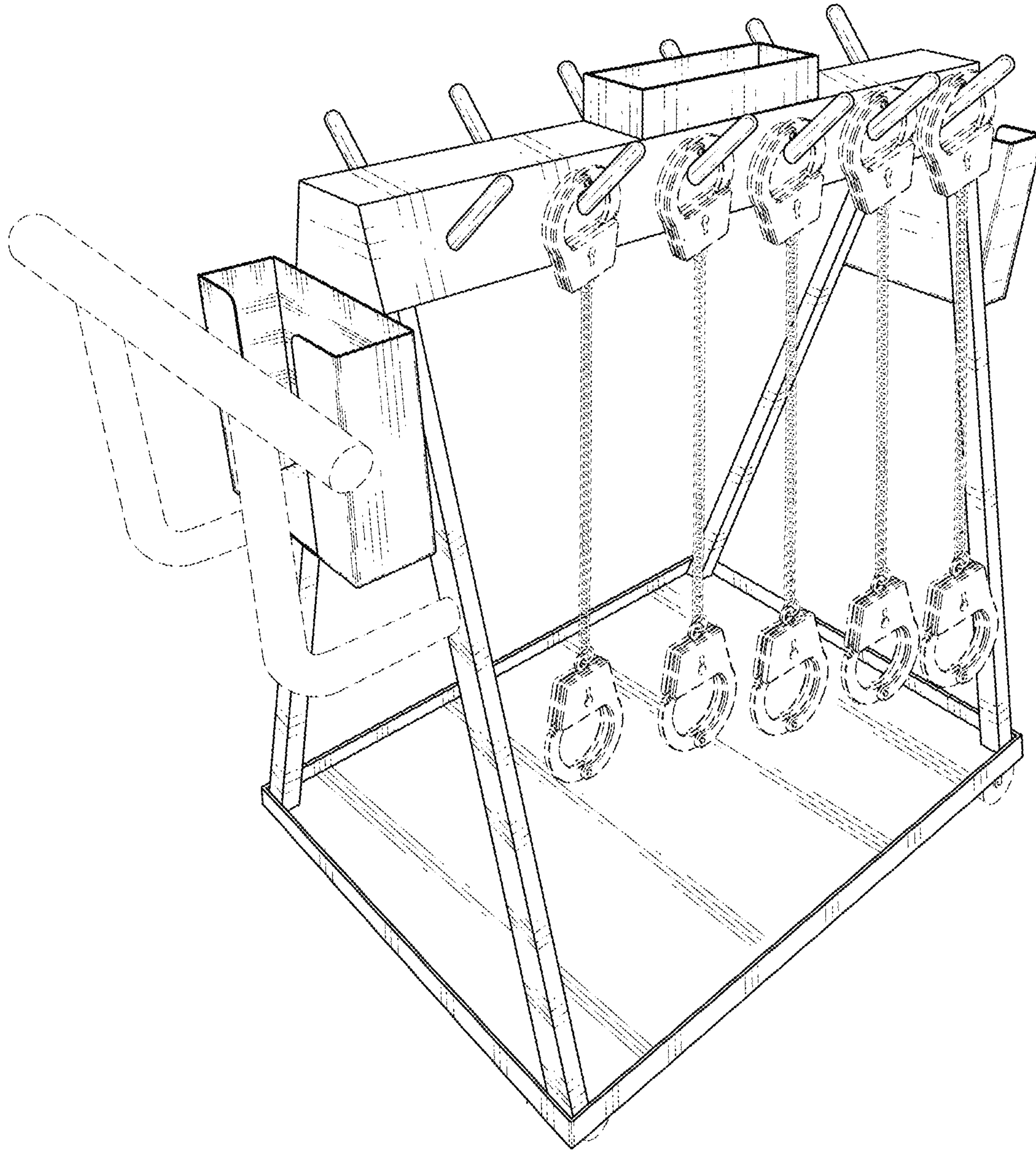


FIG. 8