



US00D927114S

(12) **United States Design Patent**
Bae et al.

(10) **Patent No.:** **US D927,114 S**

(45) **Date of Patent:** **** Aug. 3, 2021**

(54) **WATER CONTAINER FOR IRON**
(71) Applicant: **LG ELECTRONICS INC.**, Seoul (KR)
(72) Inventors: **Jaecil Bae**, Seoul (KR); **Kyutae Park**, Seoul (KR); **Kyungah Lee**, Seoul (KR); **Hoil Jeon**, Seoul (KR); **Youngsoo Ha**, Seoul (KR)

D292,837 S * 11/1987 Alfredo D32/73
D314,460 S * 2/1991 Paulin D23/209
D328,164 S * 7/1992 Mishan D32/71
D364,019 S * 11/1995 Reibl D32/73
D370,324 S * 5/1996 Villa D32/73
D404,864 S * 1/1999 Gudefin D32/73
D423,163 S * 4/2000 Stutzer D32/71
D464,180 S * 10/2002 Chen D32/71
D470,288 S * 2/2003 Bas D32/71
D707,904 S * 6/2014 Salagnac D32/73
D738,587 S * 9/2015 La Rovere D32/73

(73) Assignee: **LG ELECTRONICS INC.**, Seoul (KR)

* cited by examiner

(**) Term: **15 Years**

Primary Examiner — Austin Murphy

(21) Appl. No.: **29/724,638**

(74) *Attorney, Agent, or Firm* — Birch, Stewart, Kolasch & Birch LLP

(22) Filed: **Feb. 18, 2020**

(30) **Foreign Application Priority Data**

Aug. 19, 2019 (KR) 30-2019-0039557

(51) **LOC (13) Cl.** **07-05**

(52) **U.S. Cl.**
USPC **D32/73**

(58) **Field of Classification Search**
USPC D32/73, 72, 71, 70, 69, 68, 35; 392/404; 38/97, 96, 93, 88, 77.9, 77.83, 77.82, 38/77.81, 77.8, 77.7, 77.6, 77.5, 77.3, 38/77.1; 219/251, 245
CPC D06F 75/34; D06F 75/08; D06F 75/38; D06F 75/00; F22B 27/14; B08B 3/006
See application file for complete search history.

(56) **References Cited**

U.S. PATENT DOCUMENTS

D221,352 S * 8/1971 Reed D32/71
D292,537 S * 10/1987 Alfredo D32/73

(57) **CLAIM**

We claim the ornamental design for a water container for iron, as shown and described.

DESCRIPTION

FIG. 1 is a perspective view of a water container for iron showing the new design;
FIG. 2 is a front elevation view thereof;
FIG. 3 is a rear elevation view thereof;
FIG. 4 is a left-side elevation view thereof;
FIG. 5 is a right-side elevation view thereof;
FIG. 6 is a top plan view thereof;
FIG. 7 is a bottom plan view thereof; and,
FIG. 8 is a perspective view showing a state of use thereof. Broken lines illustrate environmental condition only and form no part of the claimed design.

1 Claim, 8 Drawing Sheets

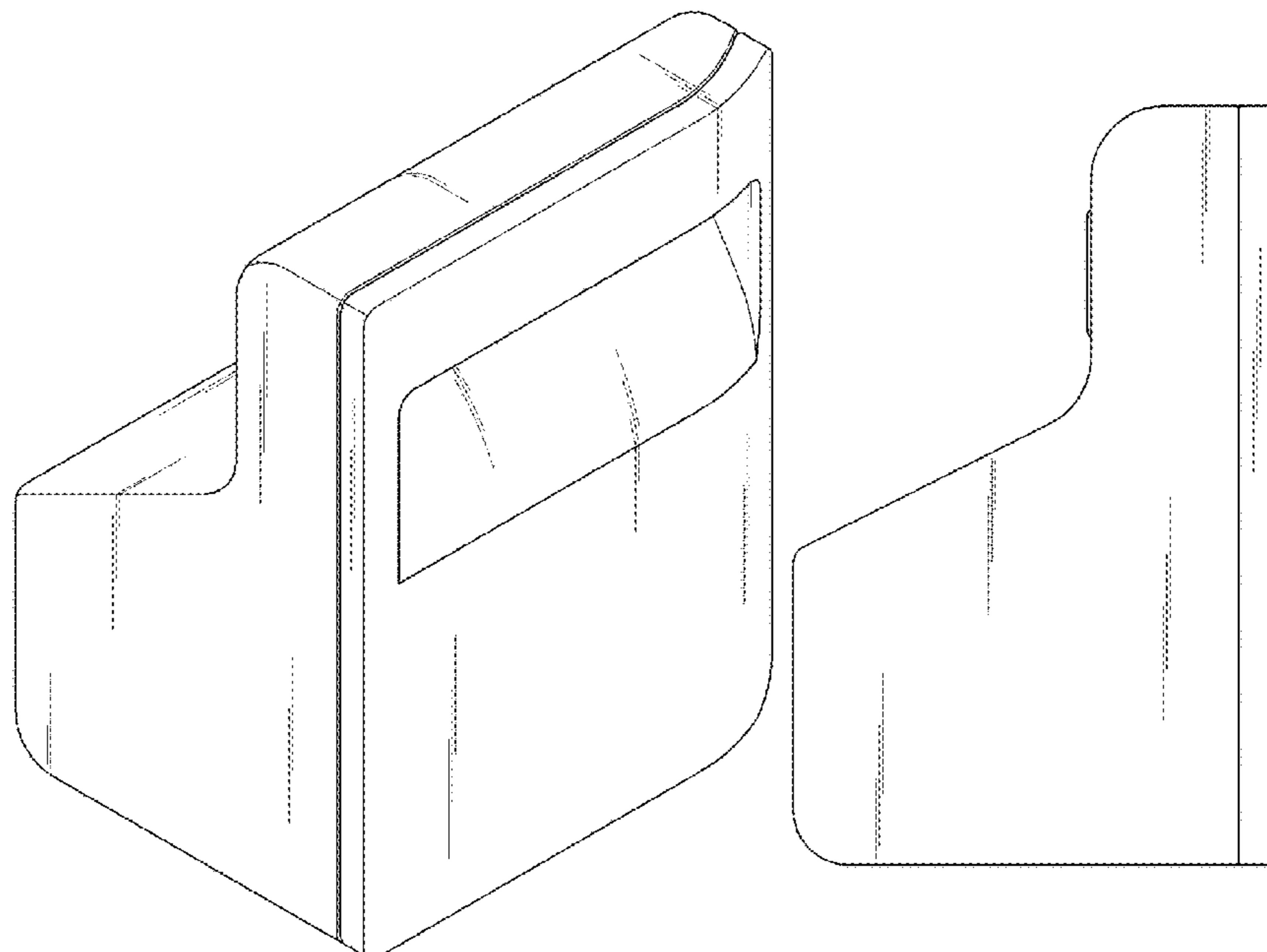


FIG. 1

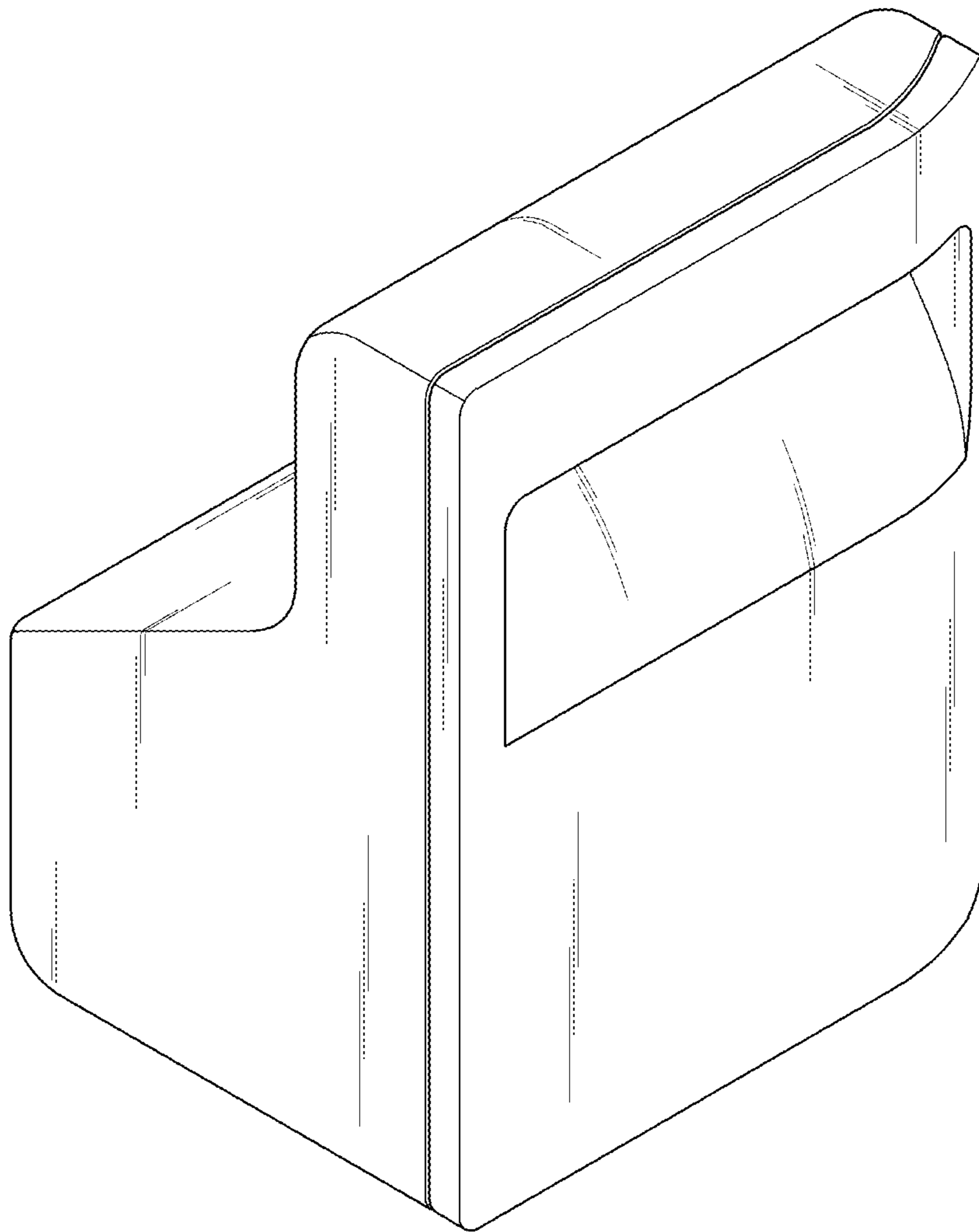


FIG. 2

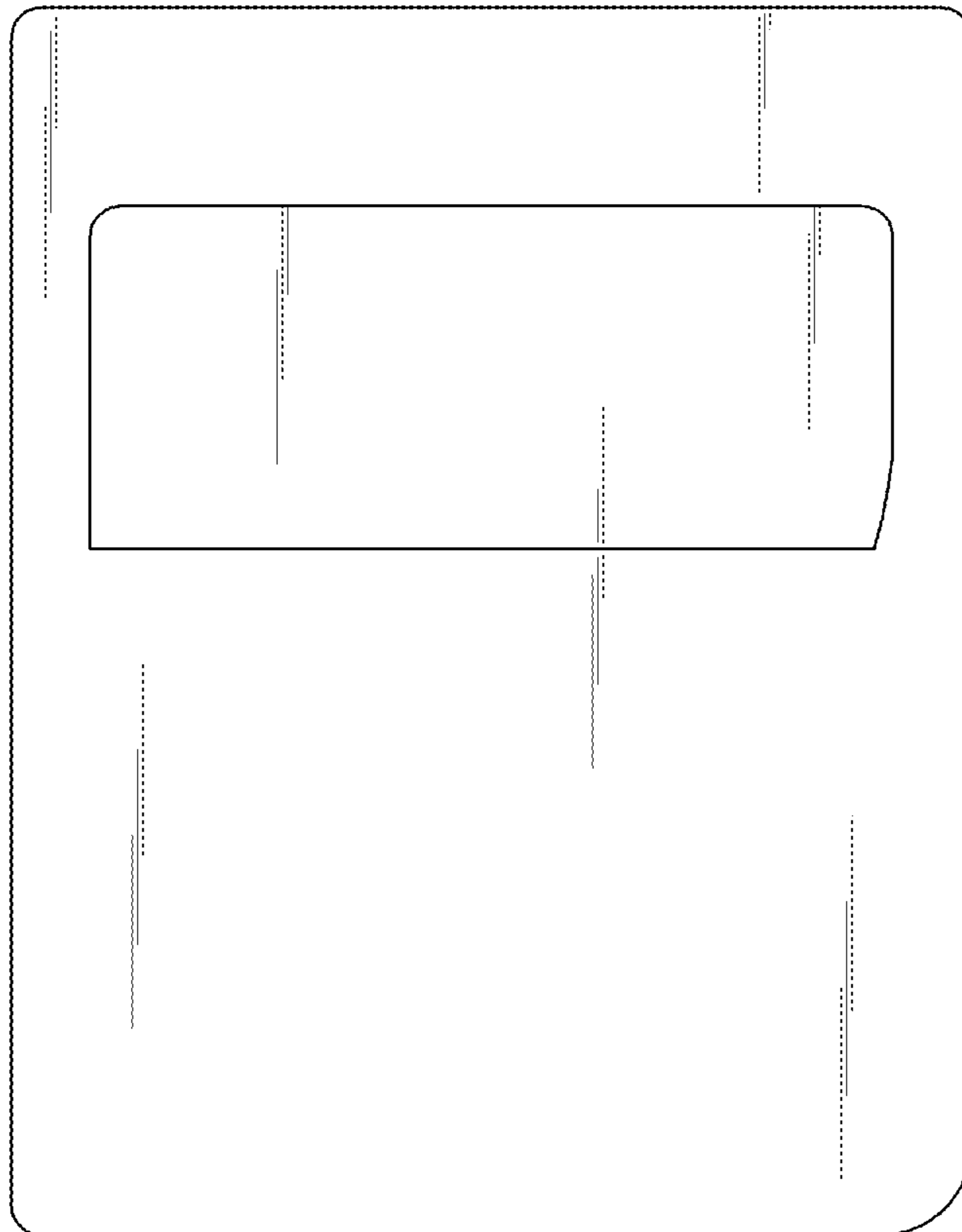


FIG. 3

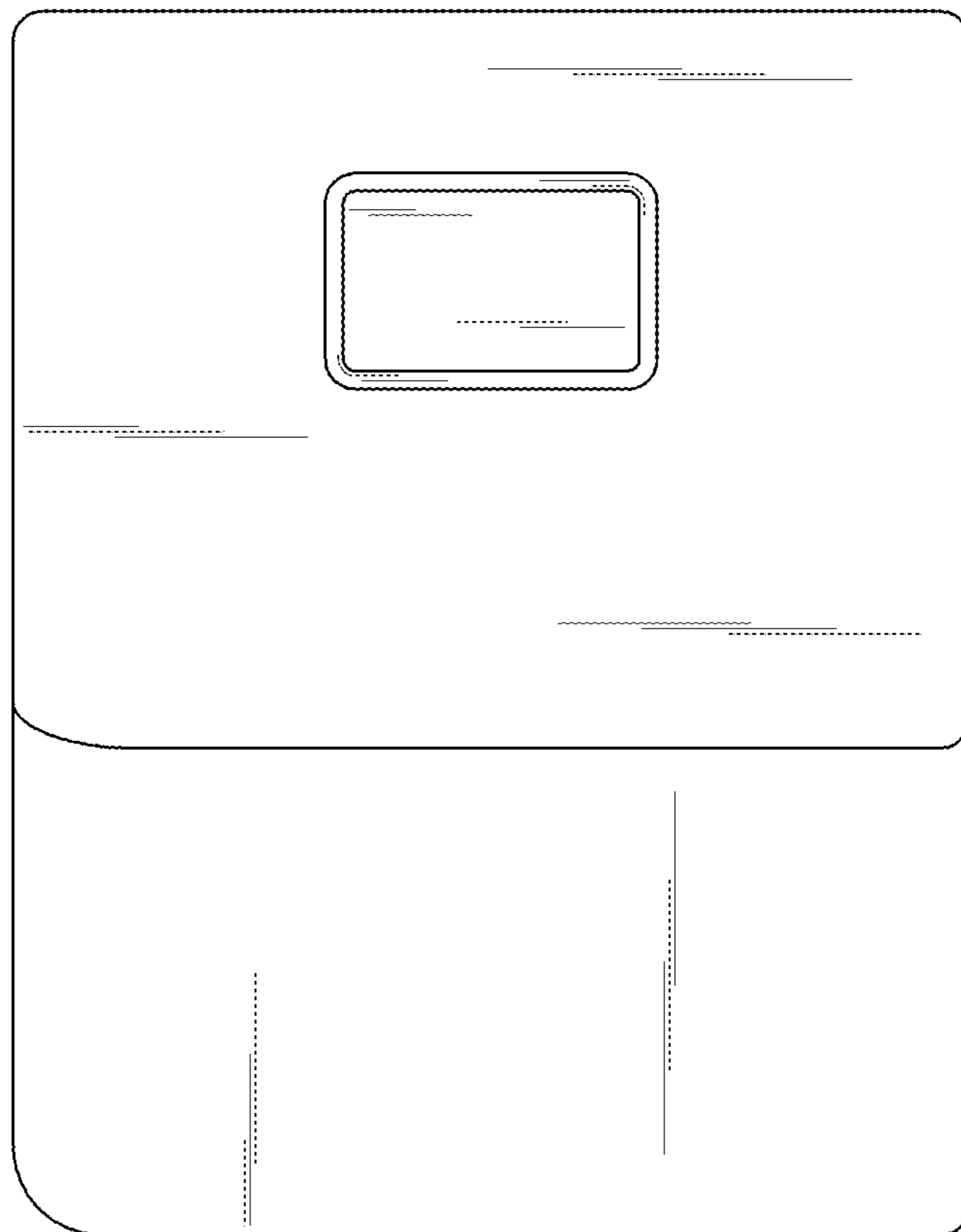


FIG. 4

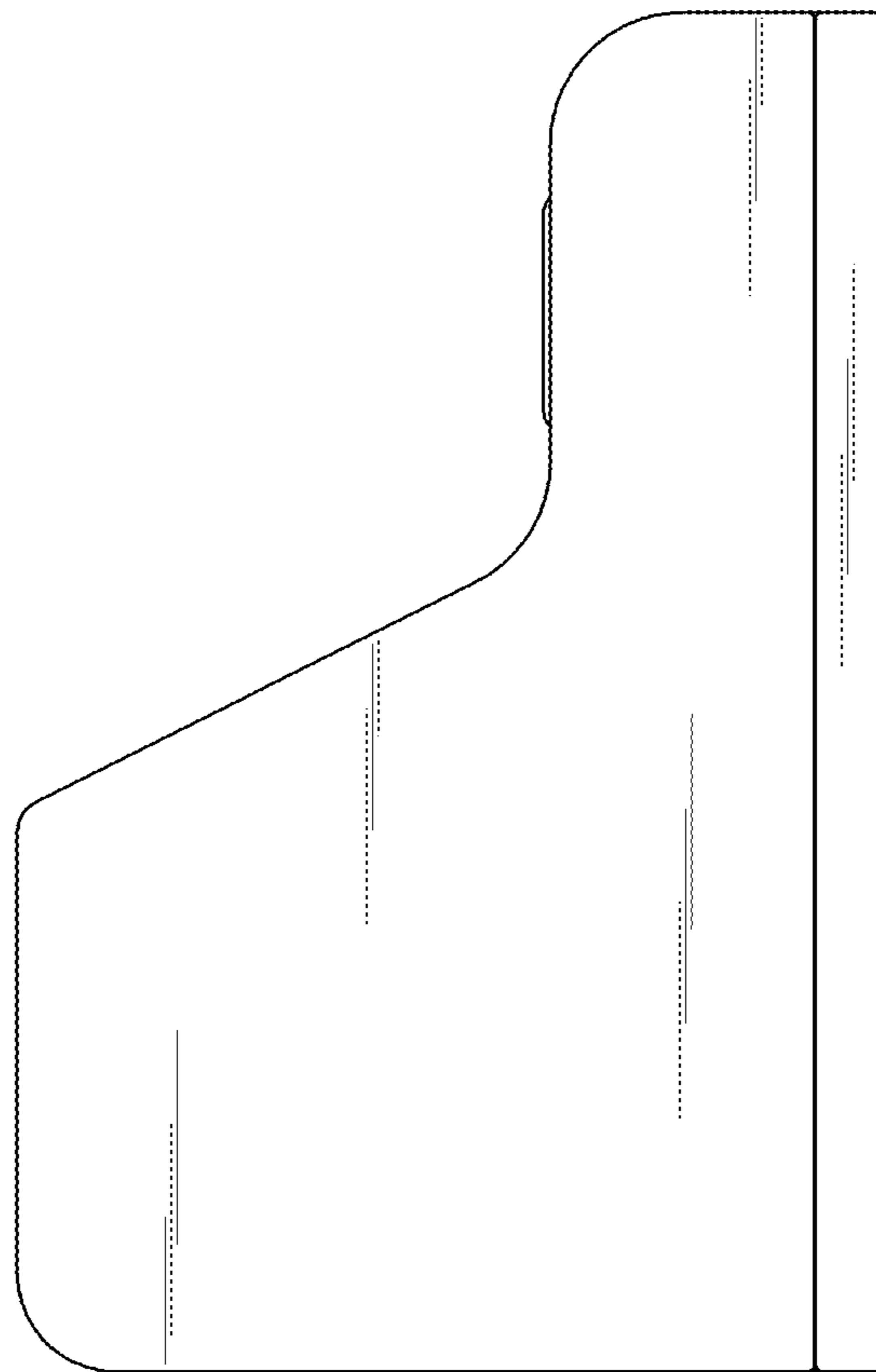


FIG. 5

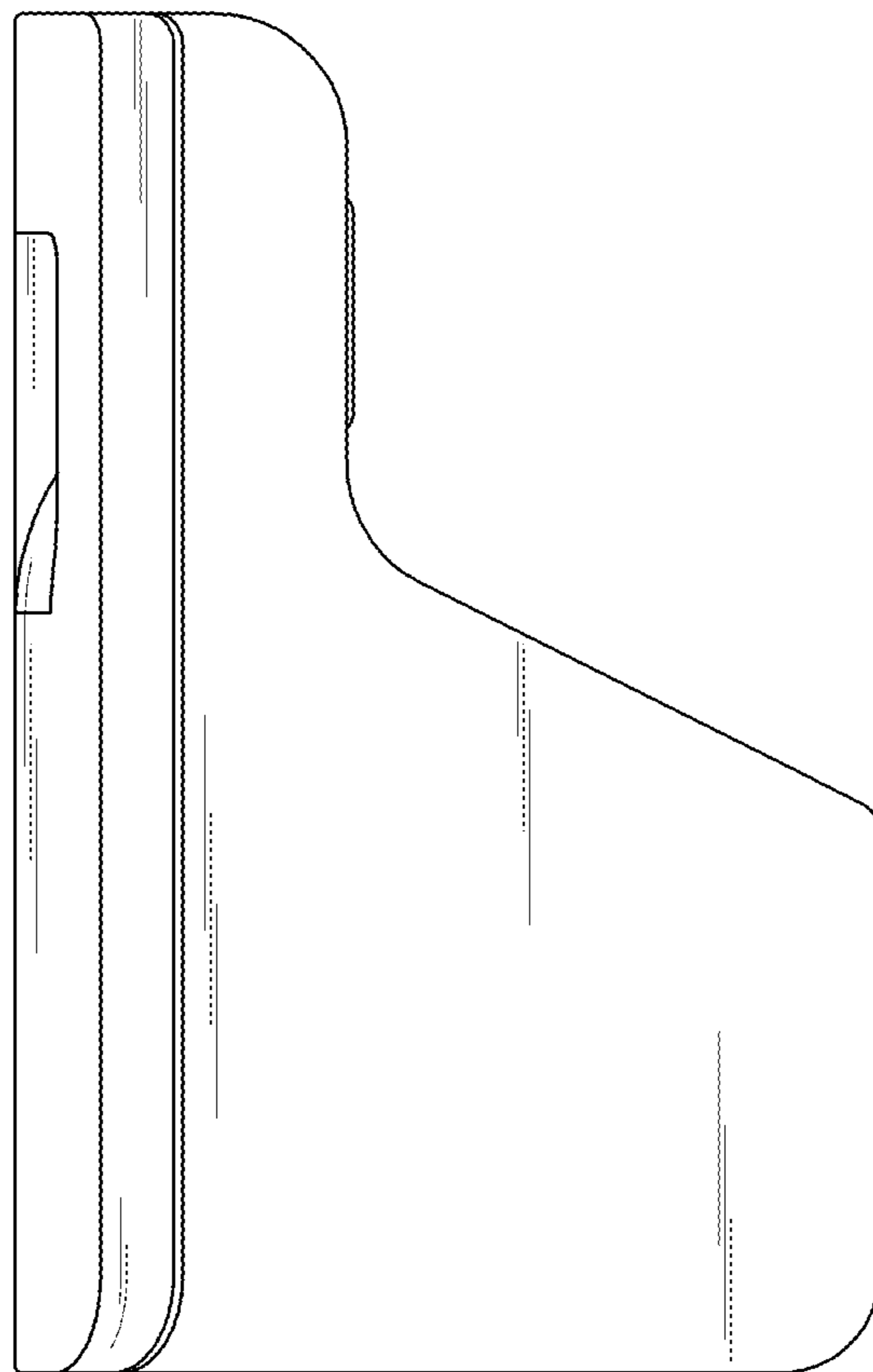


FIG. 6

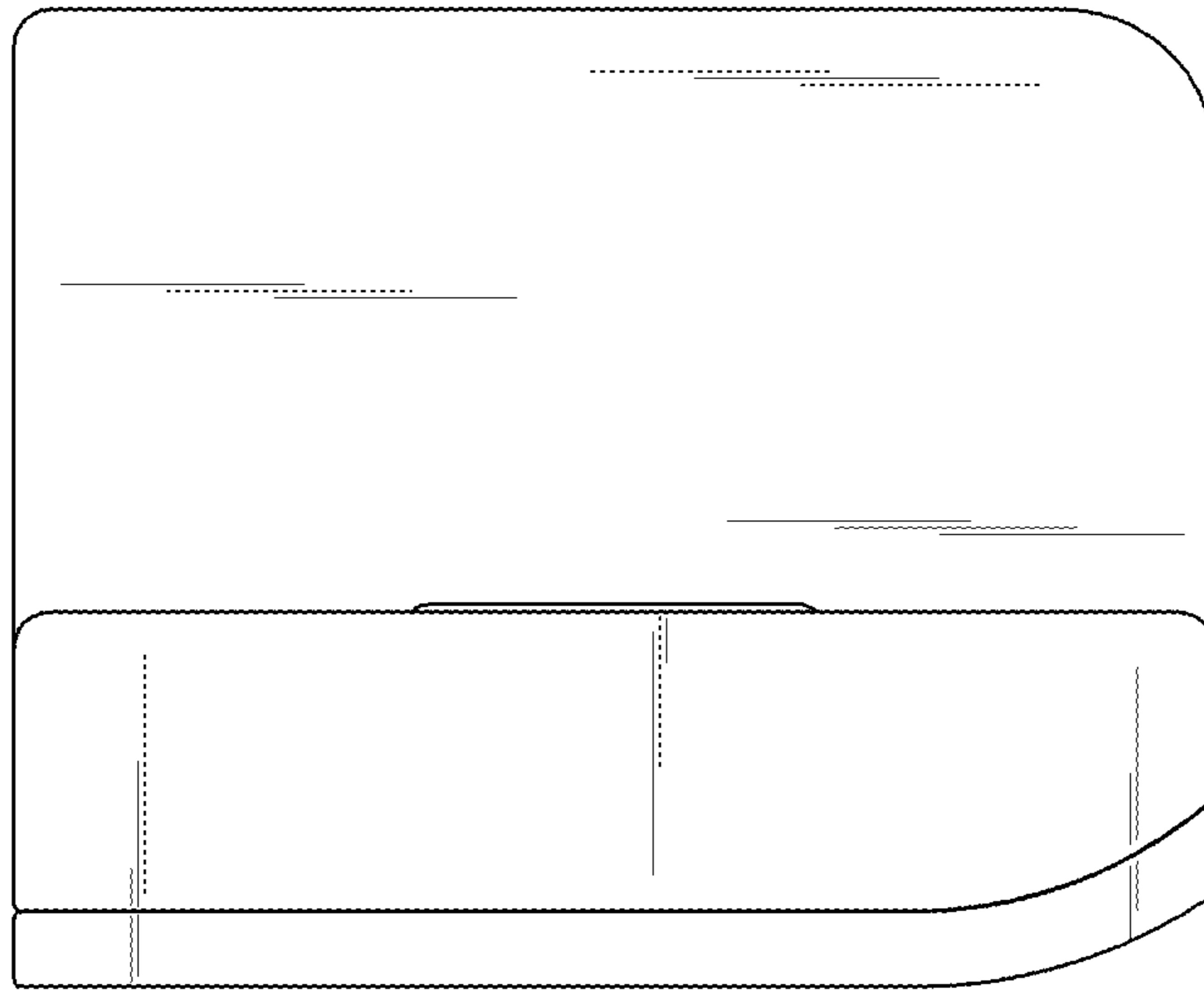


FIG. 7

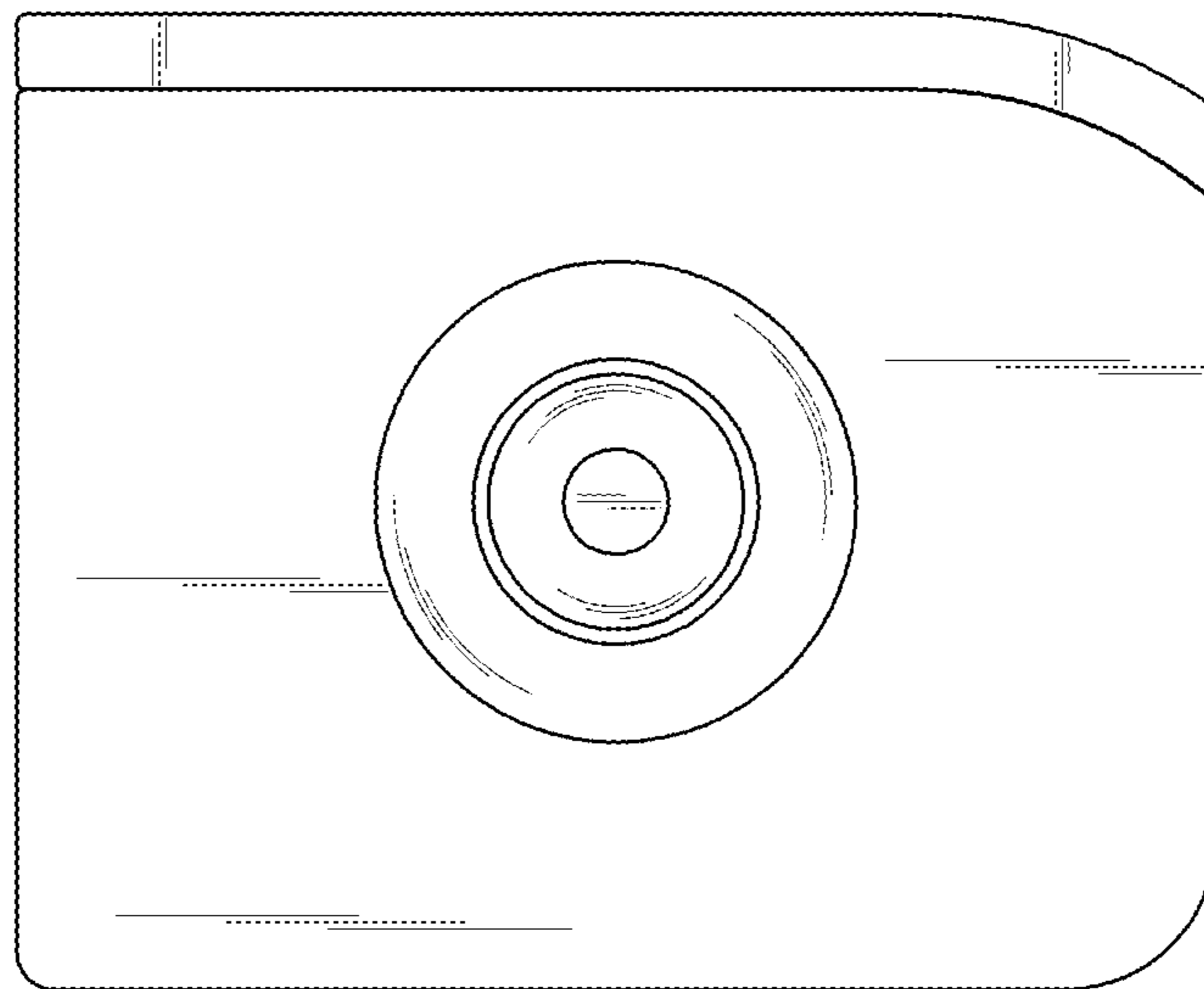


FIG. 8

