



US00D927110S

(12) **United States Design Patent**  
**Ma**

(10) **Patent No.:** **US D927,110 S**

(45) **Date of Patent:** **\*\* Aug. 3, 2021**

- (54) **HANDHELD VACUUM CLEANER**
- (71) Applicant: **Shenzhen Shermon Technology Co., Limited**, Shenzhen (CN)
- (72) Inventor: **Chaoliang Ma**, Shenzhen (CN)
- (73) Assignee: **SHENZHEN SHERMON TECHNOLOGY CO., LIMITED**, Shenzhen (CN)
- (\*\*) Term: **15 Years**
- (21) Appl. No.: **29/769,724**
- (22) Filed: **Feb. 8, 2021**
- (51) **LOC (13) Cl.** ..... **15-05**
- (52) **U.S. Cl.**  
USPC ..... **D32/22; D32/18**
- (58) **Field of Classification Search**  
USPC ..... D32/17, 18, 21, 22, 31; D21/526  
CPC ..... A47L 5/24; A47L 5/28; A47L 5/30; A47L 5/34; A47L 5/36; A47L 9/04; A47L 9/102; A47L 9/106; A47L 11/30; A47L 11/302; A47L 11/4005; A47L 11/4008; A47L 11/4044; B04C 5/185; B23Q 11/0046; B23Q 11/0071; E04H 4/1636  
See application file for complete search history.

D897,616 S \* 9/2020 Chen ..... D32/22  
D905,360 S \* 12/2020 Ma ..... D32/22  
D905,919 S \* 12/2020 Niedzwecki ..... D32/34  
D908,990 S \* 1/2021 Chen ..... D32/22

(Continued)

**FOREIGN PATENT DOCUMENTS**

JP D1673381 \* 11/2020

**OTHER PUBLICATIONS**

Hosome Cordless Vacuum Cleaner, available in Amazon.com, date first available Mar. 16, 2020 [online], [site visited Jun. 15, 2021], Available from the internet URL: [https://www.amazon.co.uk/Hosome-Cordless-Efficient-Filtration-Adjustable/dp/B085XYQ8YL/ref=sr\\_1\\_1?dchild=1&keywords=Hosome+Cordless+Vacuum+Cleaner+3+in+1+Stick+Vacuum&qid=1623779369&s=kitchen&sr=1-1](https://www.amazon.co.uk/Hosome-Cordless-Efficient-Filtration-Adjustable/dp/B085XYQ8YL/ref=sr_1_1?dchild=1&keywords=Hosome+Cordless+Vacuum+Cleaner+3+in+1+Stick+Vacuum&qid=1623779369&s=kitchen&sr=1-1) (Year: 2020).\*

(Continued)

*Primary Examiner* — Dana K Weiland  
*Assistant Examiner* — Jennylou M Binas

(57) **CLAIM**

The ornamental design for a handheld vacuum cleaner, as shown and described.

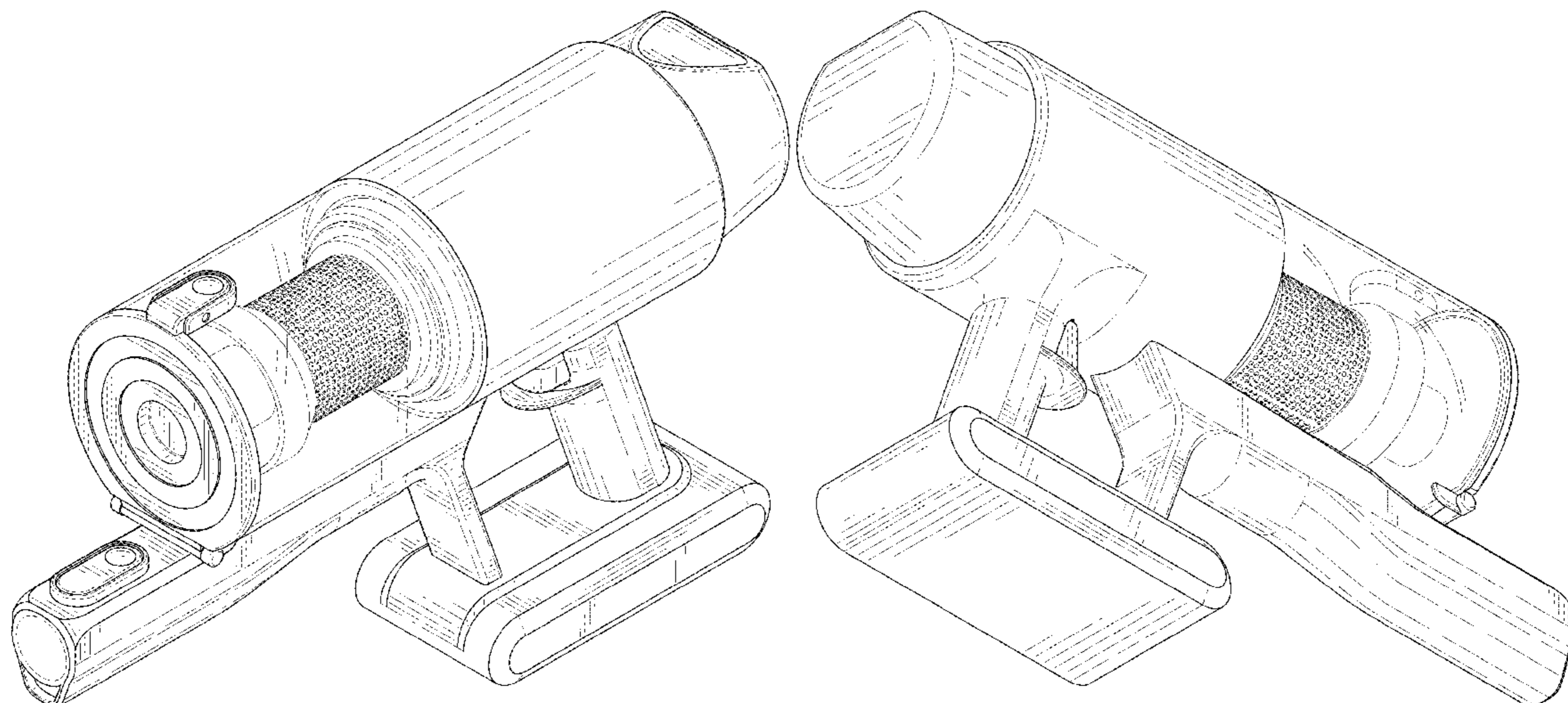
**DESCRIPTION**

FIG. 1 is a perspective view of a handheld vacuum cleaner showing my new design;  
FIG. 2 is another perspective view thereof;  
FIG. 3 is a front elevational view thereof;  
FIG. 4 is a rear elevational view thereof;  
FIG. 5 is a left side elevational view thereof;  
FIG. 6 is a right side elevational view thereof;  
FIG. 7 is a top plan view thereof; and,  
FIG. 8 is a bottom plan view thereof.  
The broken lines in the drawings are for the purpose of illustrating portions of the handheld vacuum cleaner that form no part of the claimed design.

**1 Claim, 8 Drawing Sheets**

(56) **References Cited**  
**U.S. PATENT DOCUMENTS**

D203,968 S *	3/1966	Lagerstrom	.....	D32/22
D608,961 S *	1/2010	Reese	.....	D32/18
D731,130 S *	6/2015	Dyson	.....	D32/18
D731,134 S *	6/2015	Dyson	.....	D32/31
D739,102 S *	9/2015	Dyson	.....	D32/21
D741,558 S *	10/2015	Kerr	.....	D32/21
D798,009 S *	9/2017	Salagnac	.....	D32/22
D819,282 S *	5/2018	Kim	.....	D32/22
D830,017 S *	10/2018	Nam	.....	D32/22
D844,264 S	3/2019	Irfan et al.		
D844,265 S	3/2019	Burgess et al.		
D844,912 S *	4/2019	Gammack	.....	D32/18
D882,192 S *	4/2020	Zhang	.....	D32/18



(56)

**References Cited**

U.S. PATENT DOCUMENTS

D912,344 S \* 3/2021 Choi ..... D32/22  
D922,010 S \* 6/2021 Lin ..... D32/18

OTHER PUBLICATIONS

Eufy by Anker, HomeVac S11 Go, available in Amazon.com, date first available Jan. 19, 2020 [online], [site visited Jun. 15, 2021], Available from the internet URL: [https://www.amazon.ca/HomeVac-Handstick-Cleaner-Lightweight-Cordless/dp/B07ZCYRBQ8/ref=sr\\_1\\_1?dchild=1&keywords=eufy+by+Anker%2C+HomeVac+S11+Go&qid=1623779587&s=kitchen&sr=1-1](https://www.amazon.ca/HomeVac-Handstick-Cleaner-Lightweight-Cordless/dp/B07ZCYRBQ8/ref=sr_1_1?dchild=1&keywords=eufy+by+Anker%2C+HomeVac+S11+Go&qid=1623779587&s=kitchen&sr=1-1) (Year: 2020).\*

\* cited by examiner

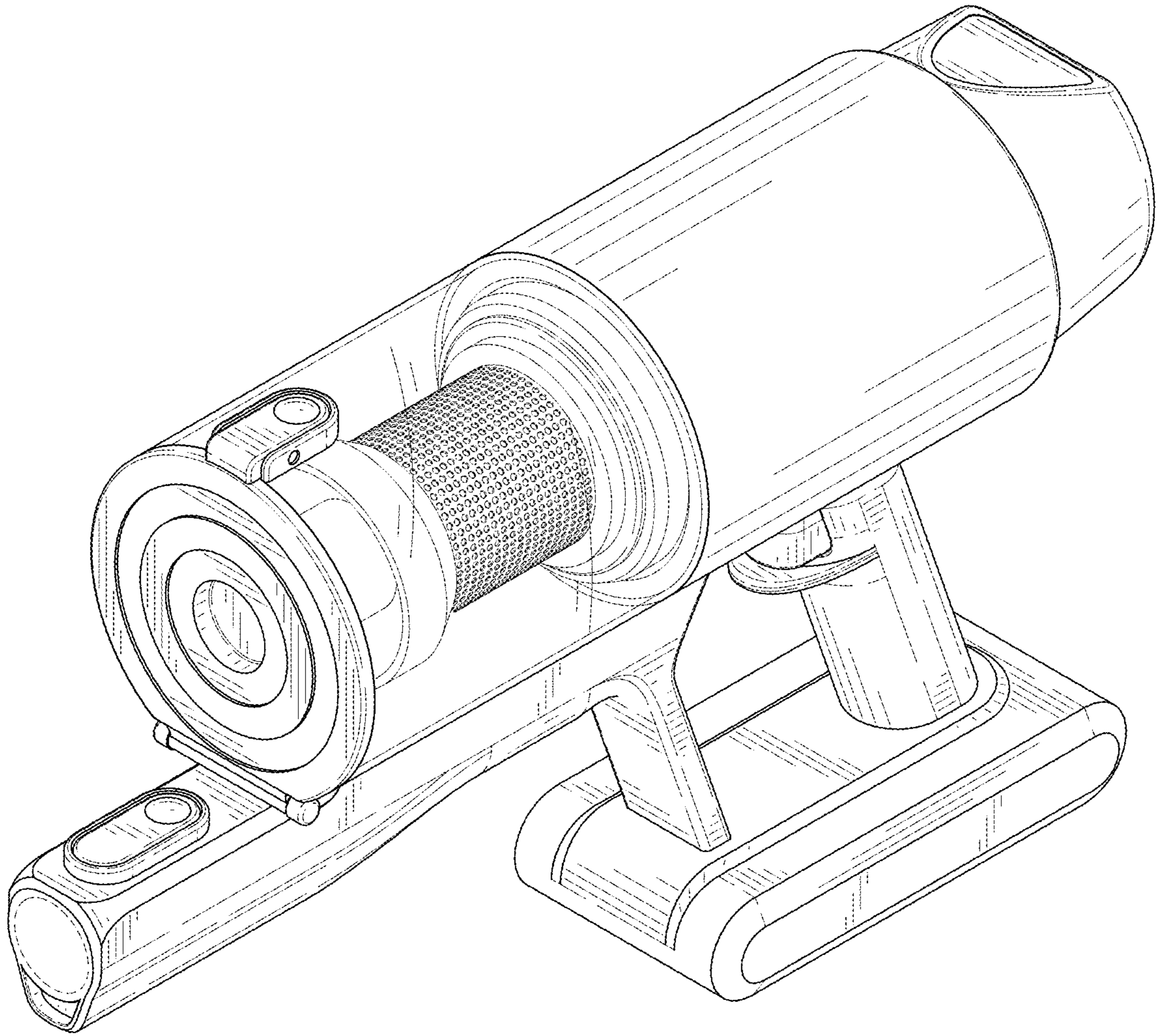


FIG. 1



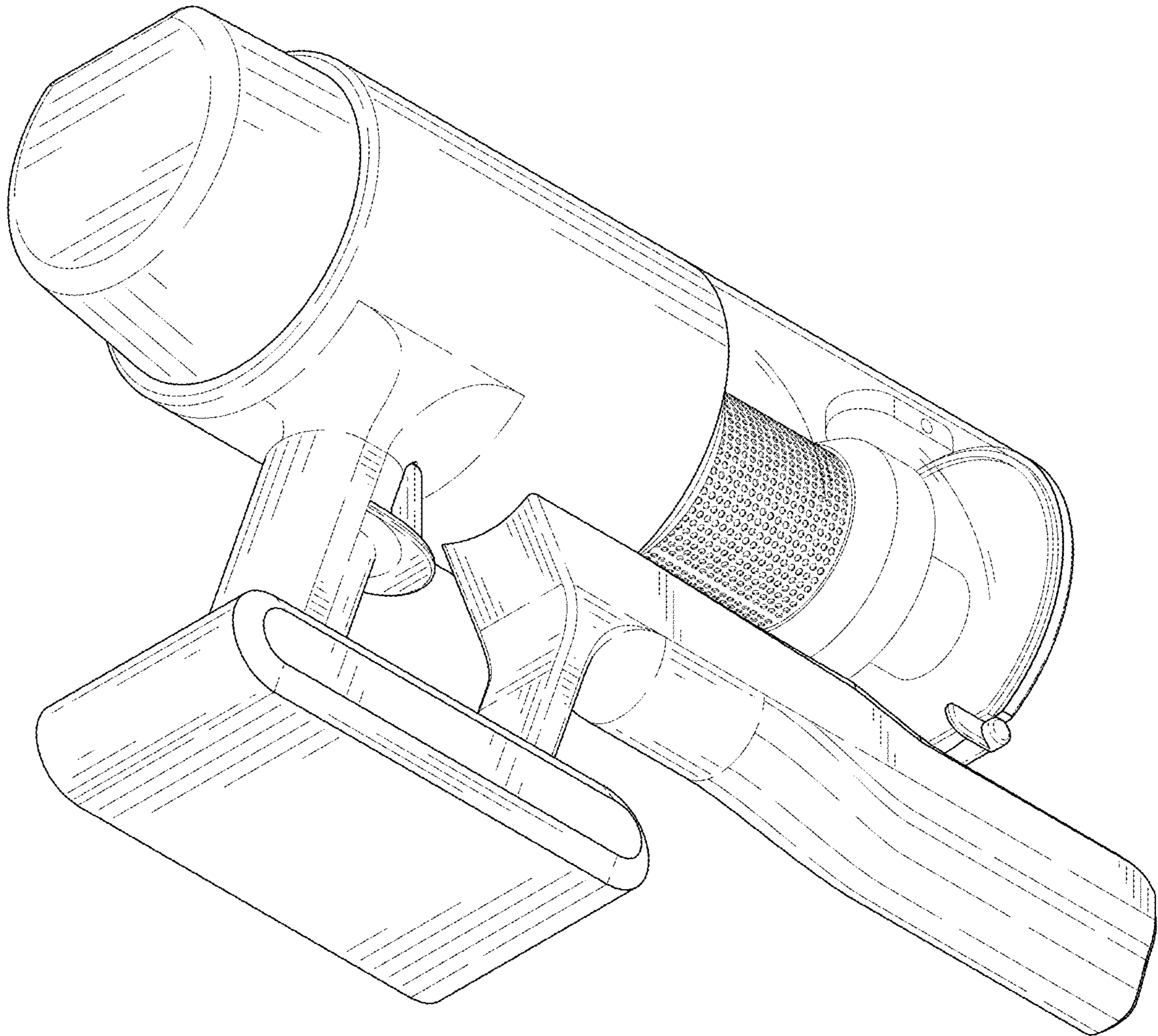


FIG. 2

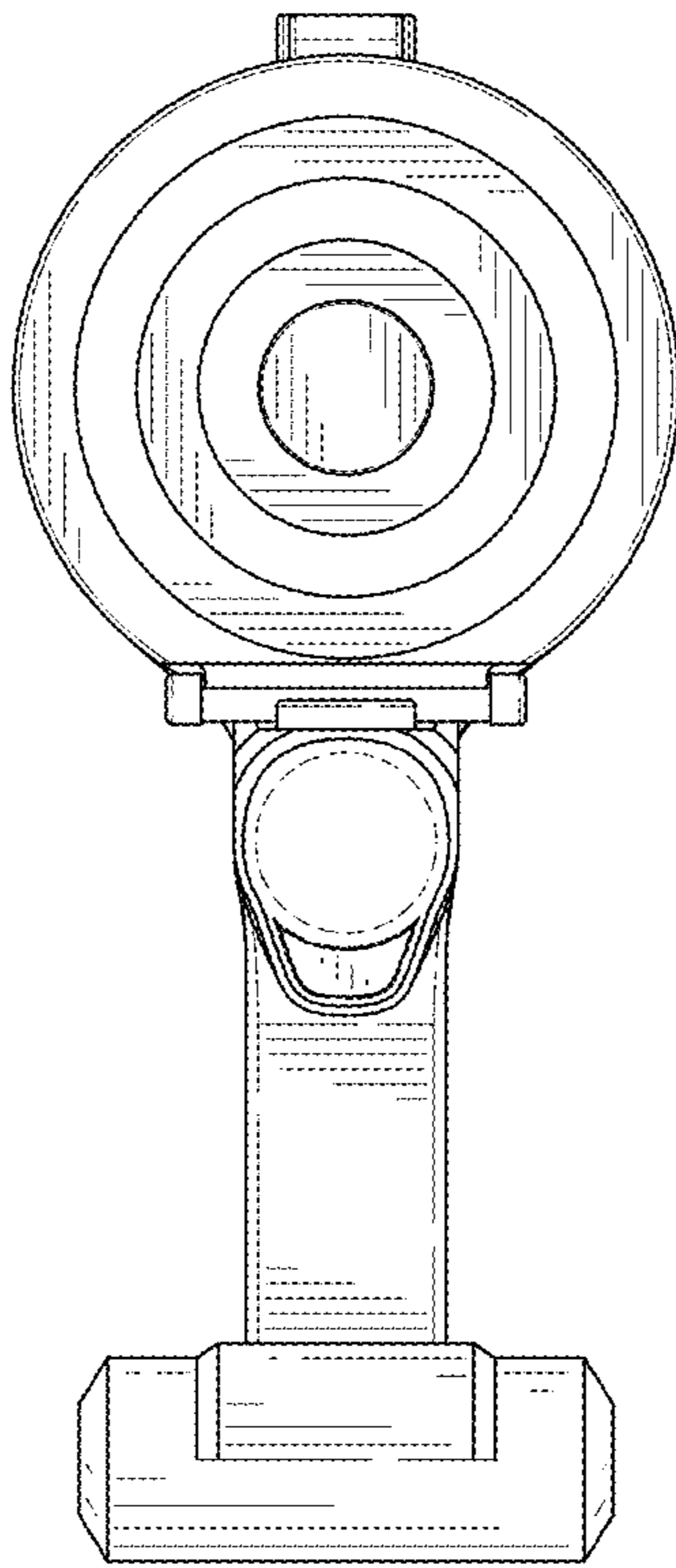


FIG. 3

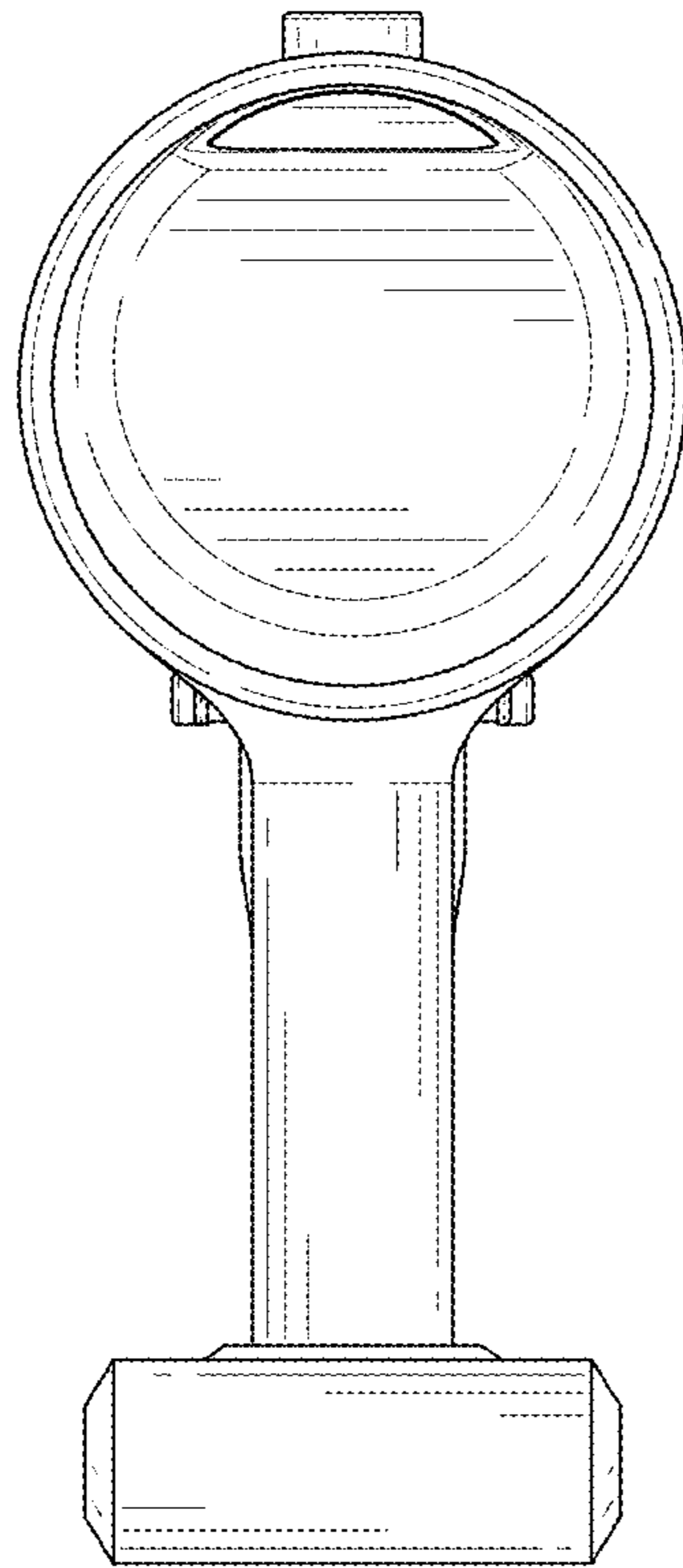


FIG. 4

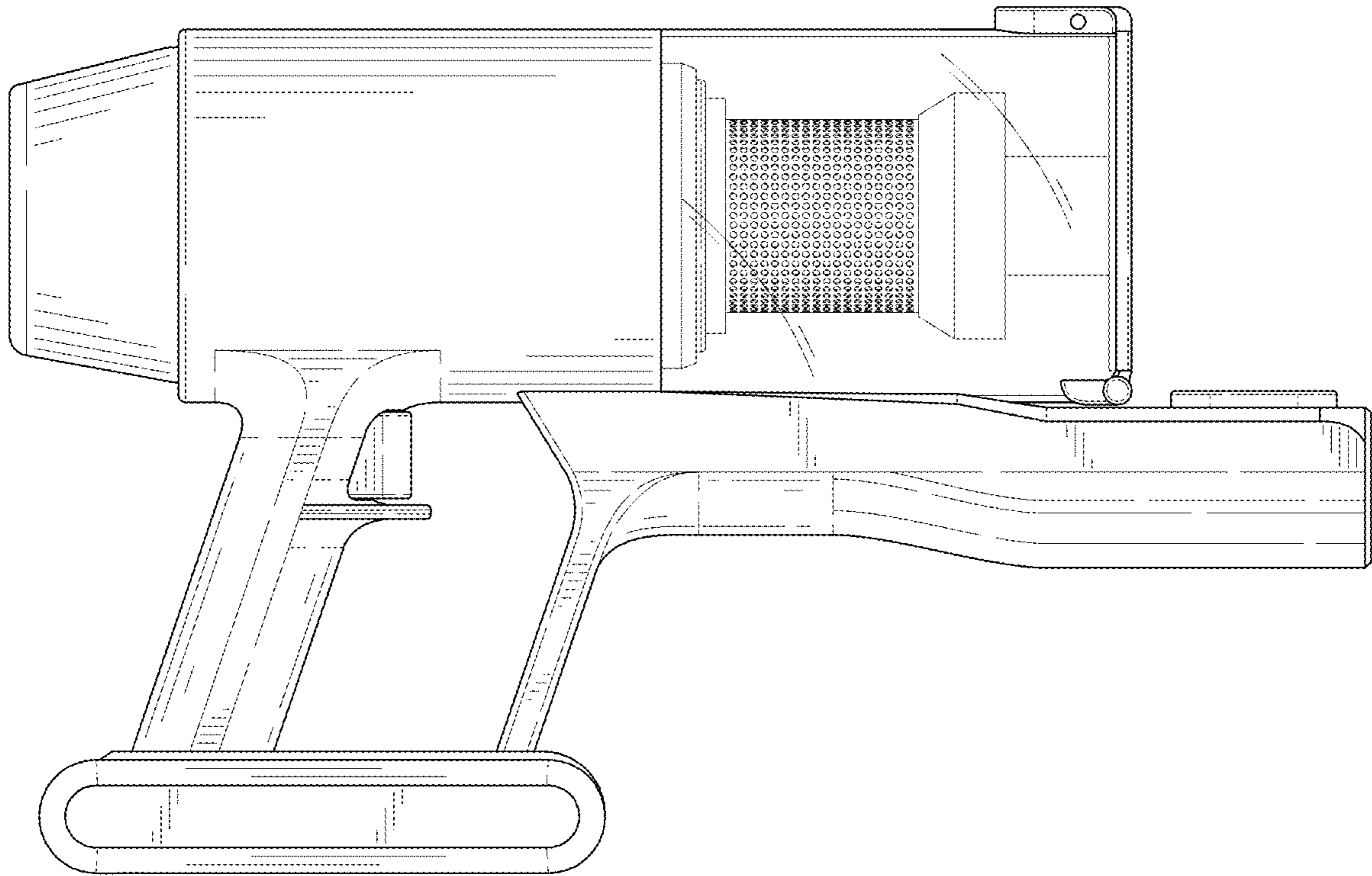


FIG. 5

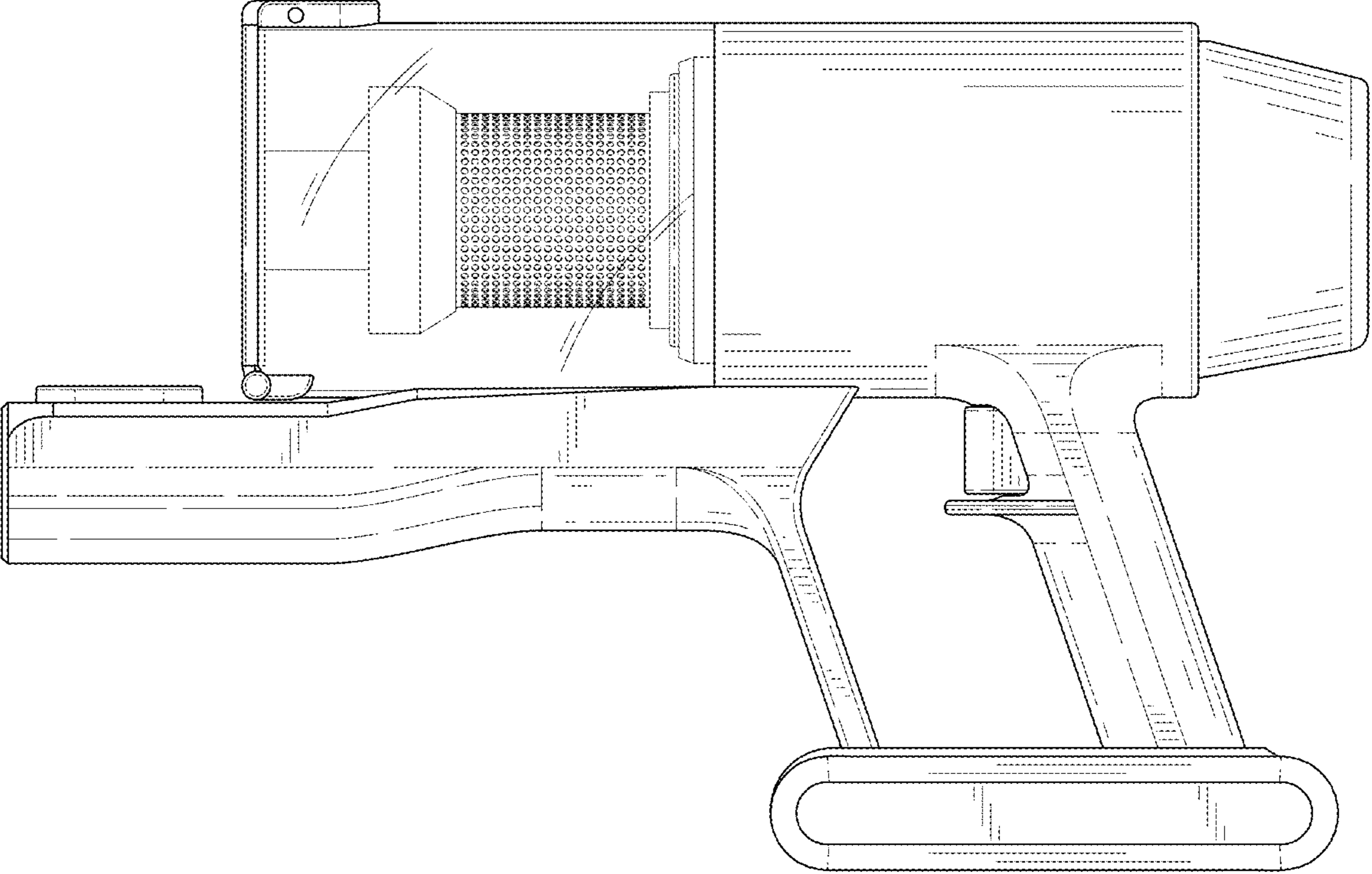


FIG. 6



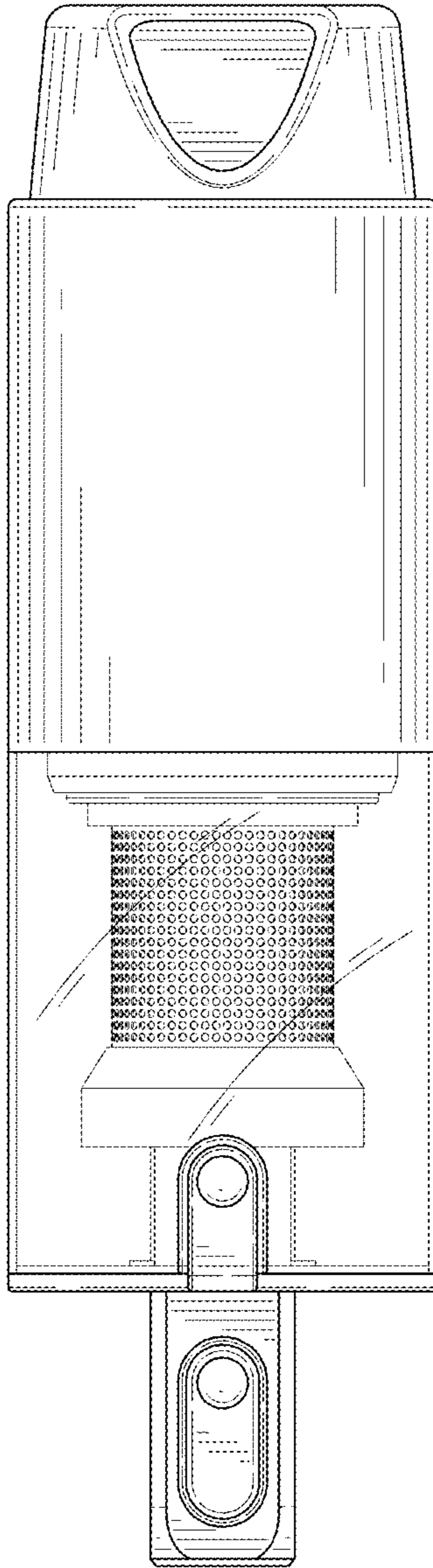


FIG. 7

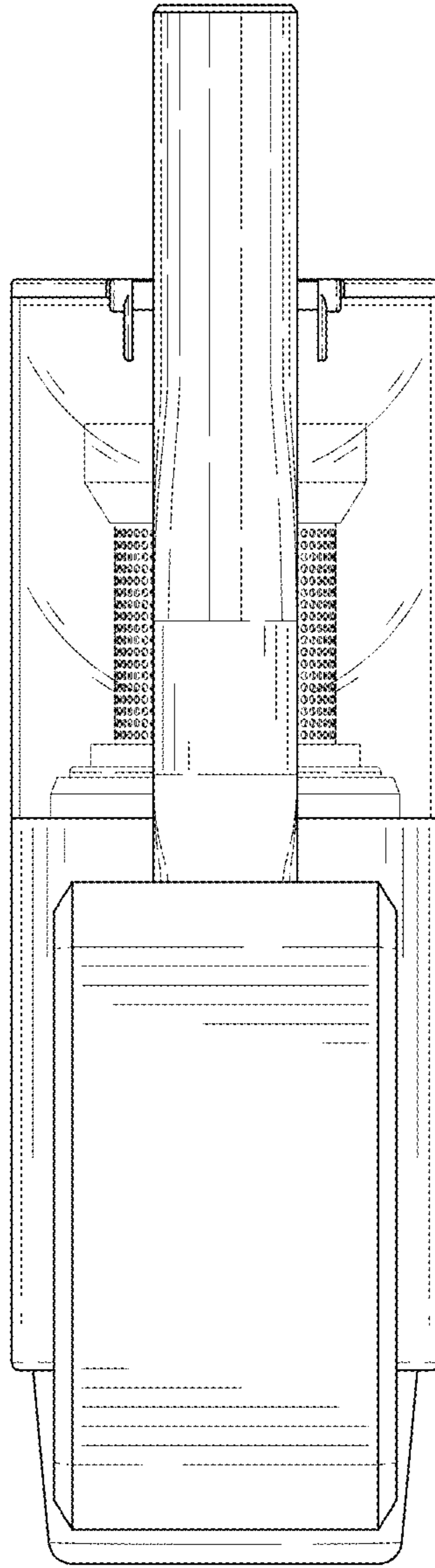


FIG. 8