



US00D927109S

(12) **United States Design Patent** (10) **Patent No.:** **US D927,109 S**  
**Chei** (45) **Date of Patent:** **\*\* Aug. 3, 2021**

- (54) **HAND VACUUM COMPONENT**
- (71) Applicant: **SHARKNINJA OPERATING LLC**,  
Needham, MA (US)
- (72) Inventor: **Junghwan Chei**, Chestnut Hill, MA  
(US)
- (73) Assignee: **SharkNinja Operating LLC**,  
Needham, MA (US)
- (\*\*) Term: **15 Years**
- (21) Appl. No.: **29/663,972**
- (22) Filed: **Sep. 20, 2018**

6,101,669 A 8/2000 Martin et al.  
 6,209,925 B1 4/2001 Edin  
 6,237,188 B1 5/2001 Takemoto et al.  
 (Continued)

**OTHER PUBLICATIONS**

Shark HV390UKT Duo-Clean TruePet Bagless (on-line), dated Aug. 6, 2018. Retrieved from Internet May 22, 2020, URL: <https://www.trustedreviews.com/reviews/shark-hv390ukt-duo-clean-true-pet-bagless-vacuum-cleaner> (1 page) (Year: 2018).\*

(Continued)

*Primary Examiner* — Kimberly Barnes  
 (74) *Attorney, Agent, or Firm* — Grossman Tucker  
 Perreault & Pflieger, PLLC

**Related U.S. Application Data**

(63) Continuation of application No. 29/611,764, filed on Jul. 25, 2017, now Pat. No. Des. 874,757.

(51) **LOC (13) Cl.** ..... **15-05**

(52) **U.S. Cl.**  
 USPC ..... **D32/22; D32/18**

(58) **Field of Classification Search**  
 USPC ..... D32/15–25, 29, 31–34  
 CPC . A47L 9/00; A47L 9/0063; A47L 9/32; A47L 9/322; A47L 9/325; A47L 9/327; A47L 11/00; A47L 11/22; A47L 11/24; A47L 11/32; A47L 11/4075; A47L 11/4094; A47L 11/20; A47L 11/40; A47L 5/24; A47L 5/28; A47L 7/02; A47L 5/225; A47L 5/36; A47L 9/0018

See application file for complete search history.

(56) **References Cited**

**U.S. PATENT DOCUMENTS**

- 4,138,762 A 2/1979 Jost et al.
- 4,372,004 A 2/1983 Vermillion
- 4,627,127 A 12/1986 Dupre
- D348,548 S 7/1994 Pino
- 5,960,514 A 10/1999 Miller et al.

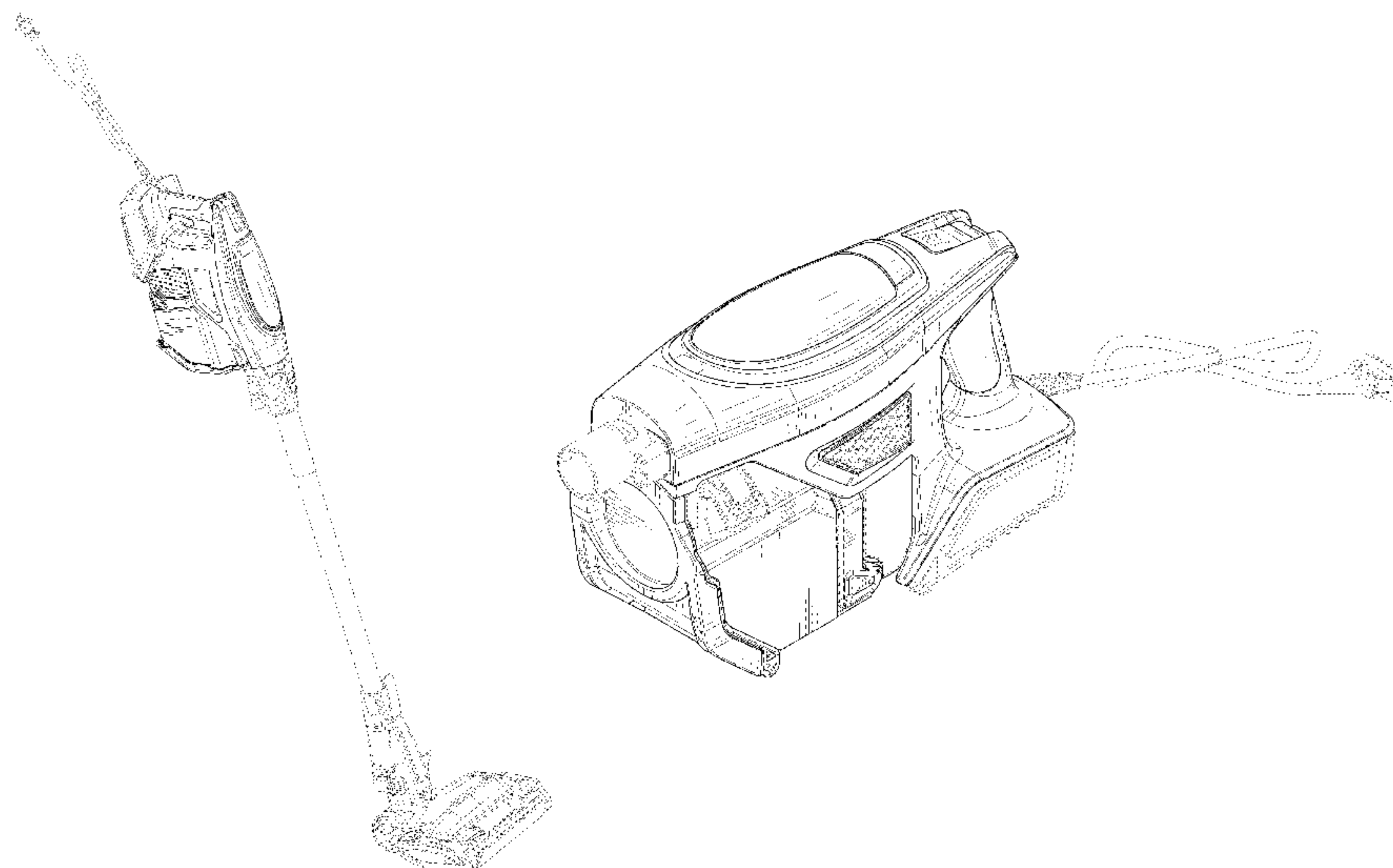
(57) **CLAIM**

The ornamental design for a hand vacuum component, as shown and described.

**DESCRIPTION**

FIG. 1 is a perspective view of a hand vacuum component showing the new design;  
 FIG. 2 is a front view thereof;  
 FIG. 3 is a rear view thereof;  
 FIG. 4 is a left side view thereof;  
 FIG. 5 is a right side view thereof;  
 FIG. 6 is an enlarged top view thereof;  
 FIG. 7 is an enlarged bottom view thereof;  
 FIG. 8 is a bottom perspective view thereof;  
 FIG. 9 is a right side perspective view of the hand vacuum component shown in FIG. 1;  
 FIG. 10 is a left side perspective view thereof;  
 FIG. 11 is a right side rear perspective view thereof;  
 FIG. 12 is a left side rear perspective view thereof;  
 FIG. 13 is a top view thereof; and,  
 FIG. 14 is a bottom view thereof.  
 The broken lines in the drawings depict portions that form no part of the claimed design.

**1 Claim, 11 Drawing Sheets**



(56)

References Cited

U.S. PATENT DOCUMENTS

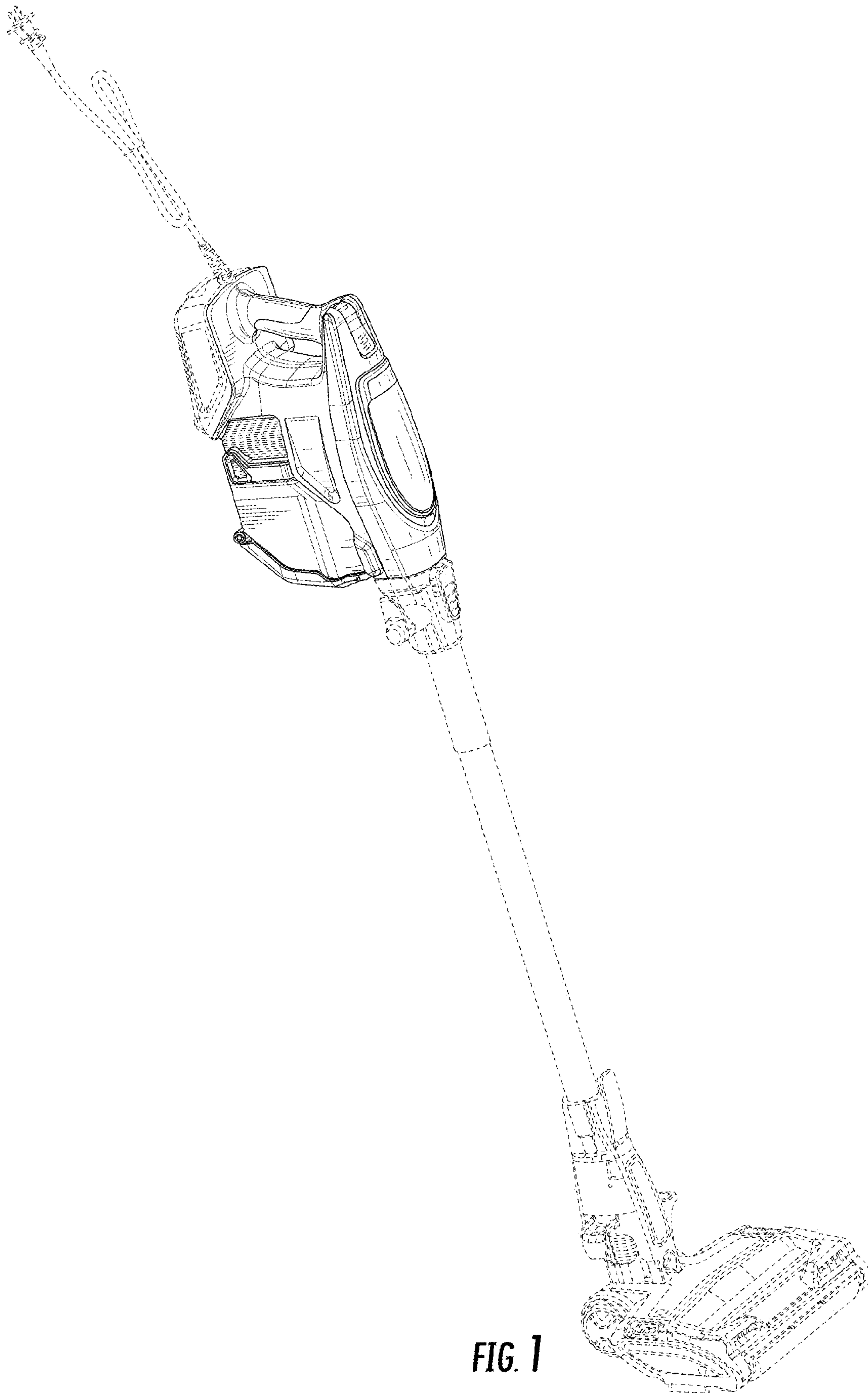
D453,866 S 2/2002 Nighy et al.  
 D473,687 S 4/2003 Kaffenberger  
 D480,848 S 10/2003 Smith et al.  
 D502,578 S 3/2005 Roschi  
 D524,498 S 7/2006 Luebbering et al.  
 7,171,723 B2 2/2007 Kobayashi et al.  
 D561,415 S 2/2008 Tavano  
 7,328,479 B2 2/2008 Willenbring  
 D566,356 S 4/2008 Medema  
 D569,564 S 5/2008 Labarbera  
 D577,163 S 9/2008 Dyson et al.  
 D581,609 S 11/2008 Conrad et al.  
 D585,608 S 1/2009 Conrad et al.  
 D594,612 S 6/2009 Umeda  
 D597,268 S 7/2009 Santiago et al.  
 D635,728 S 4/2011 Jellman  
 7,931,716 B2 4/2011 Oakham  
 7,945,988 B2 5/2011 Gordon  
 7,979,952 B2 7/2011 Beskow et al.  
 D642,754 S 8/2011 Fjellman  
 D644,384 S 8/2011 Santiago et al.  
 8,146,201 B2 4/2012 Conrad  
 D668,010 S 9/2012 Stickney et al.  
 D668,823 S 10/2012 Stickney et al.  
 D674,158 S 1/2013 Kim et al.  
 8,402,600 B2 3/2013 Beskow et al.  
 D693,977 S 11/2013 Chu et al.  
 8,689,395 B2 4/2014 Conrad  
 8,745,818 B2 6/2014 Iles et al.  
 8,887,352 B2 11/2014 Muhlenkamp  
 D720,104 S 12/2014 Santiago et al.  
 9,027,198 B2 5/2015 Conrad  
 D731,130 S 6/2015 Dyson et al.  
 D731,134 S 6/2015 Dyson et al.  
 D731,136 S 6/2015 Yun et al.  
 D731,720 S 6/2015 Gidwell et al.  
 D731,724 S 6/2015 Cheon et al.  
 9,066,640 B2 6/2015 Iles et al.  
 D738,583 S 9/2015 Gidwell et al.  
 D738,584 S 9/2015 Niedzwecki  
 9,144,356 B2 9/2015 Yun  
 D741,558 S 10/2015 Kerr  
 D742,083 S 10/2015 Gidwell et al.  
 D743,123 S 11/2015 Chu  
 D744,180 S 11/2015 Yun et al.  
 D745,231 S 12/2015 Niedzwecki  
 D747,571 S 1/2016 Dyson  
 D747,572 S 1/2016 Kerr  
 9,351,621 B2 5/2016 Cordes et al.  
 D762,031 S 7/2016 Niedzwecki

9,451,853 B2 9/2016 Conrad et al.  
 D770,111 S 10/2016 Lee et al.  
 D770,113 S 10/2016 Yoon et al.  
 D771,890 S 11/2016 Kim  
 D772,512 S 11/2016 Yoon et al.  
 D774,260 S 12/2016 Manning  
 D774,264 S 12/2016 Bartram et al.  
 D775,772 S 1/2017 Lee et al.  
 D779,751 S 2/2017 Chu  
 D779,752 S 2/2017 Johnson  
 D781,014 S 3/2017 Wu et al.  
 D788,393 S 5/2017 Canas et al.  
 D792,665 S 7/2017 Salagnac  
 D796,132 S 8/2017 Yoon et al.  
 D796,136 S 8/2017 Reynolds et al.  
 D798,009 S 9/2017 Salagnac  
 D799,767 S 10/2017 Palladino et al.  
 D800,980 S 10/2017 Carter et al.  
 D814,723 S \* 4/2018 Palladino ..... D32/31  
 D819,282 S \* 5/2018 Kim ..... D32/22  
 D827,955 S \* 9/2018 Palladino ..... D32/18  
 D844,918 S \* 4/2019 Kim ..... D32/34  
 D862,011 S \* 10/2019 Kim ..... D32/22  
 D868,400 S \* 11/2019 Niedzwecki ..... D32/18  
 D872,394 S \* 1/2020 Yang ..... D32/18  
 D874,757 S \* 2/2020 Chei ..... D32/18  
 D879,395 S \* 3/2020 Pearce ..... D32/18  
 2002/0124334 A1 9/2002 Worwag  
 2005/0172447 A1 8/2005 Roney et al.  
 2006/0191097 A1 8/2006 Baumhakil  
 2009/0229075 A1 9/2009 Eriksson  
 2010/0229328 A1 9/2010 Conrad  
 2012/0311813 A1 12/2012 Gilbert, Jr. et al.  
 2013/0139349 A1 6/2013 Iles et al.  
 2014/0060577 A1 3/2014 Bruders et al.  
 2014/0196247 A1 7/2014 Kasper et al.  
 2014/0237760 A1 8/2014 Conrad  
 2015/0033498 A1 2/2015 McVey  
 2015/0359396 A1 12/2015 Yun  
 2016/0058257 A1 3/2016 Ventress et al.  
 2016/0345795 A1 12/2016 Manning  
 2019/0254491 A1 \* 8/2019 Conrad ..... A47L 5/32  
 2019/0254493 A1 \* 8/2019 Conrad ..... A47L 5/365  
 2019/0269289 A1 \* 9/2019 Xu ..... A47L 5/30  
 2019/0298125 A1 \* 10/2019 Conrad ..... A46B 9/12

OTHER PUBLICATIONS

Shark HV390UK Review (on-line), dated Dec. 26, 2019. Retrieved from Internet May 22, 2020, URL: <https://www.smartvacuums.co.uk/review-shark-hv390uk-vs-hv390ukt/> (3 pages) (Year: 2019).\*

\* cited by examiner



**FIG. 1**



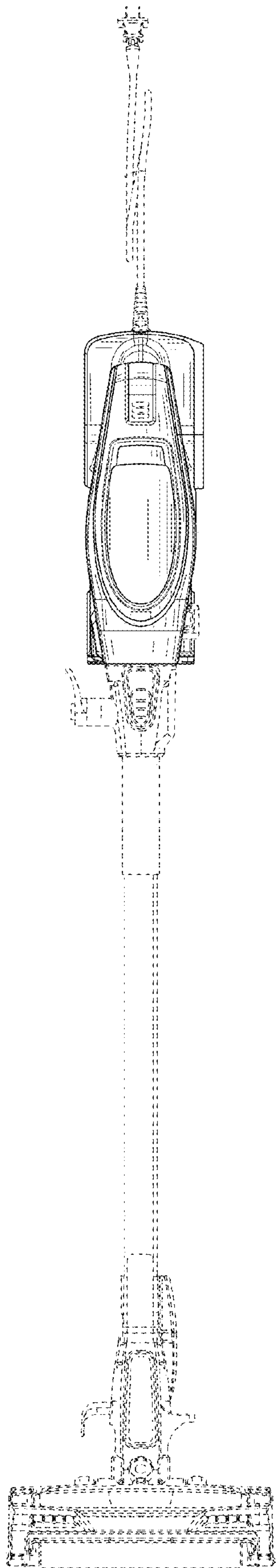


FIG. 2

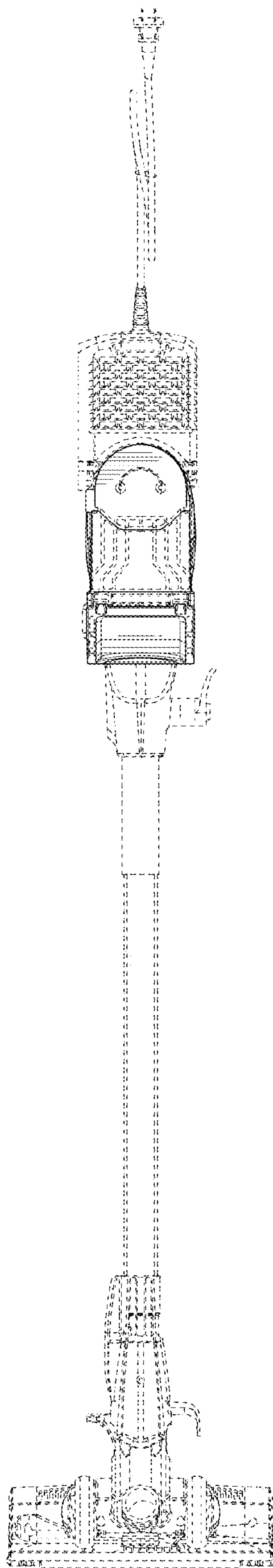
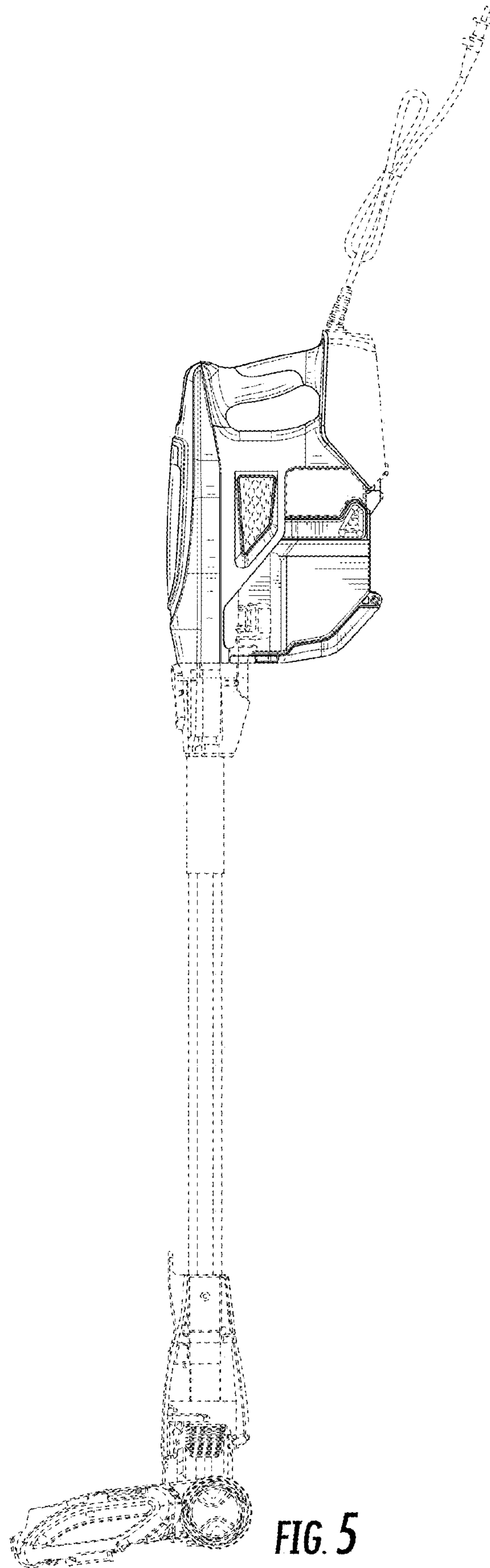
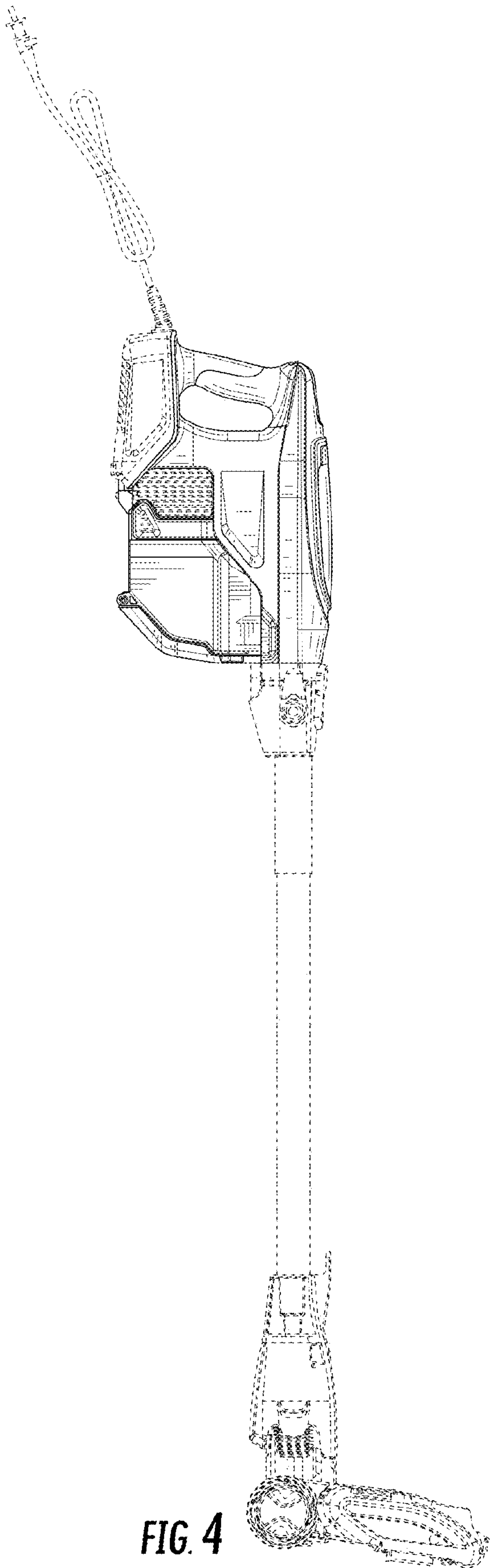


FIG. 3



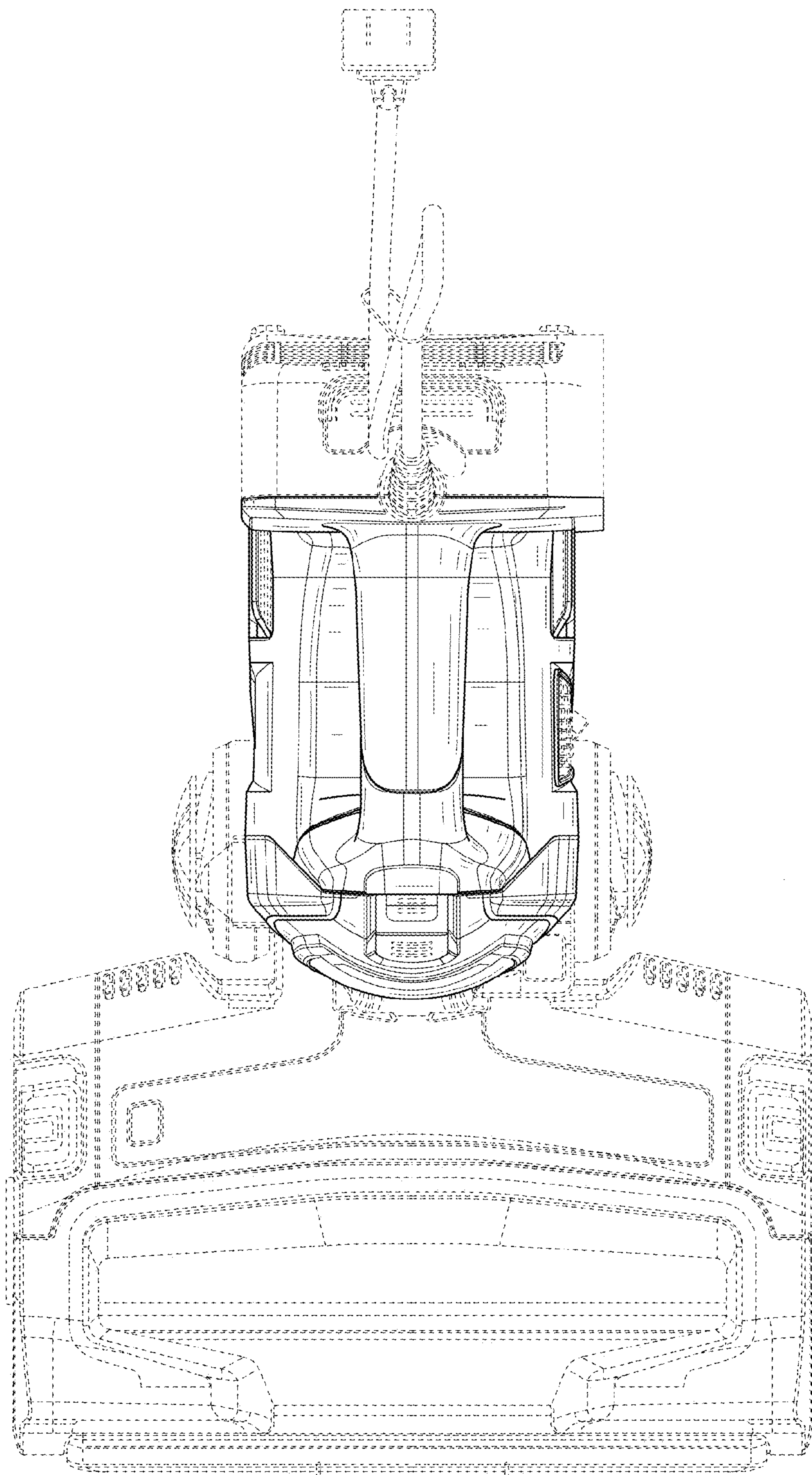
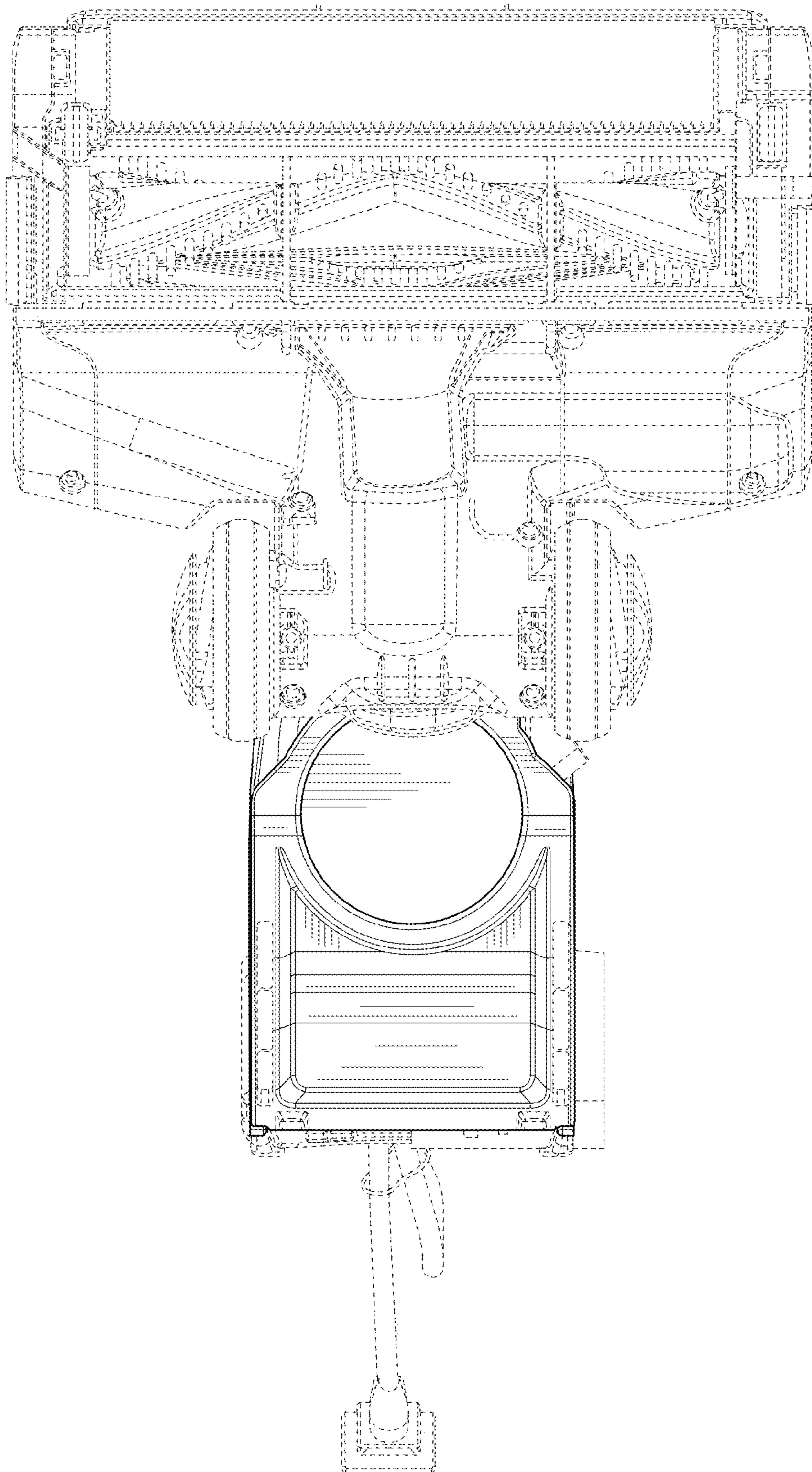


FIG. 6





**FIG. 7**

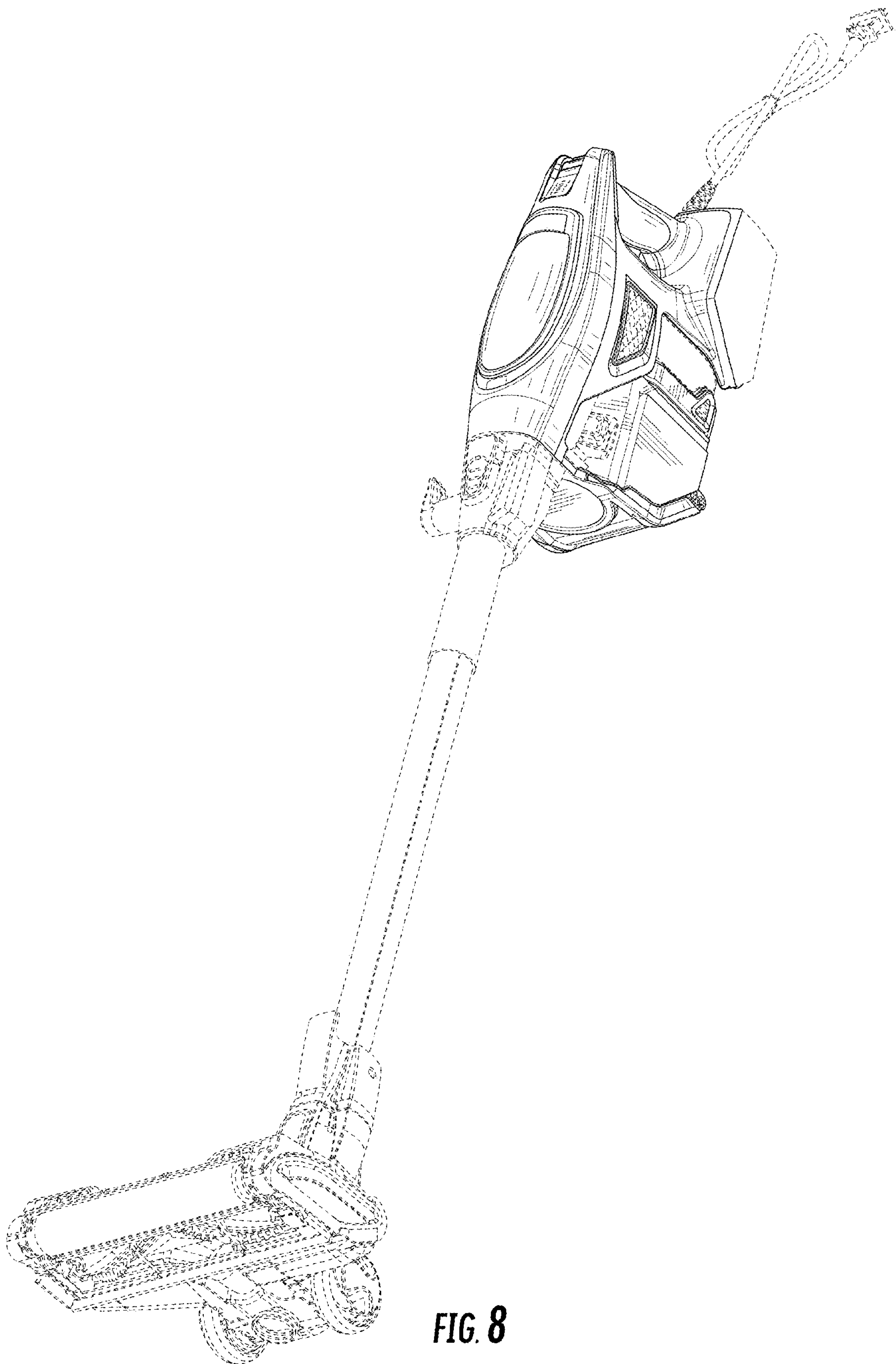


FIG. 8



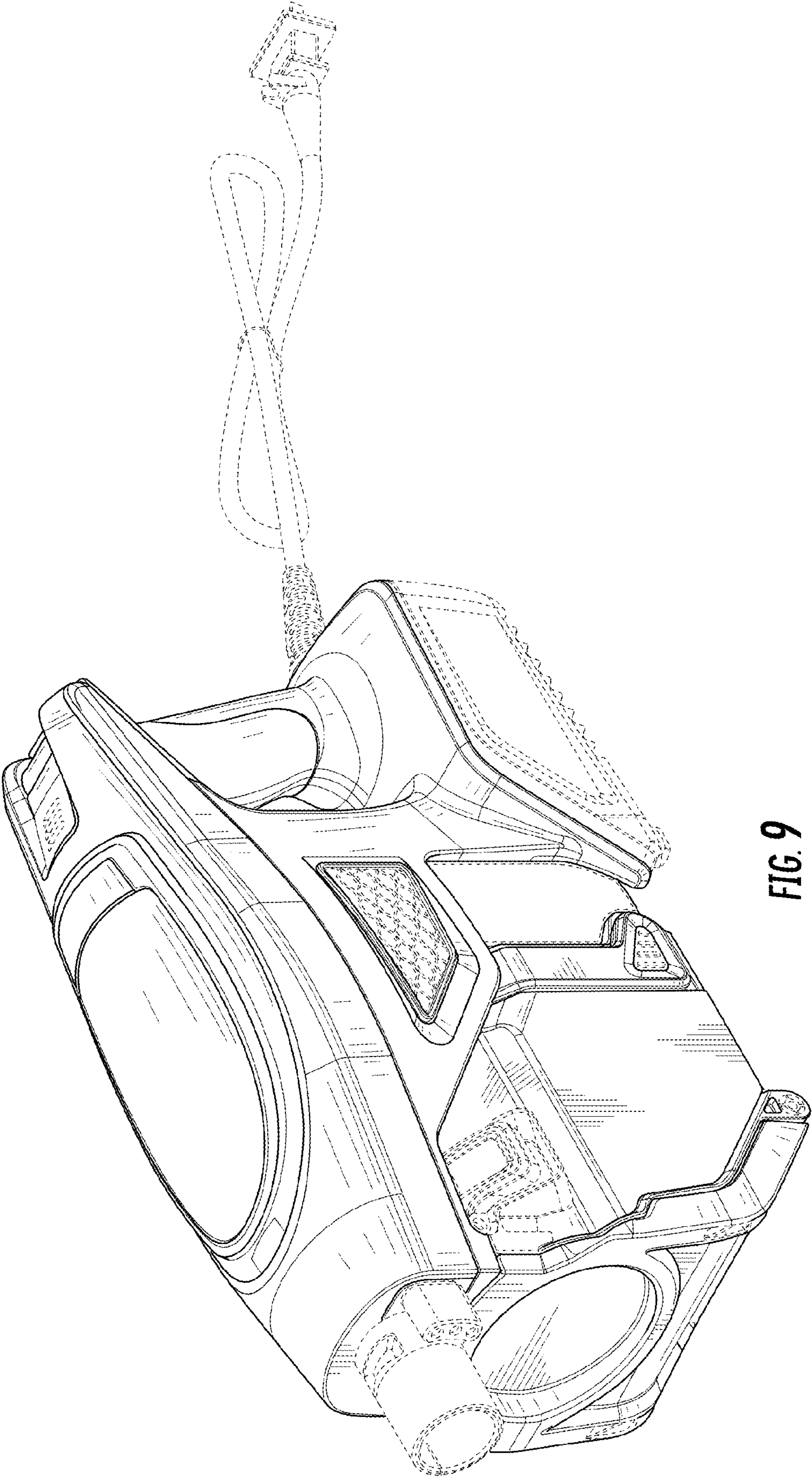


FIG. 9

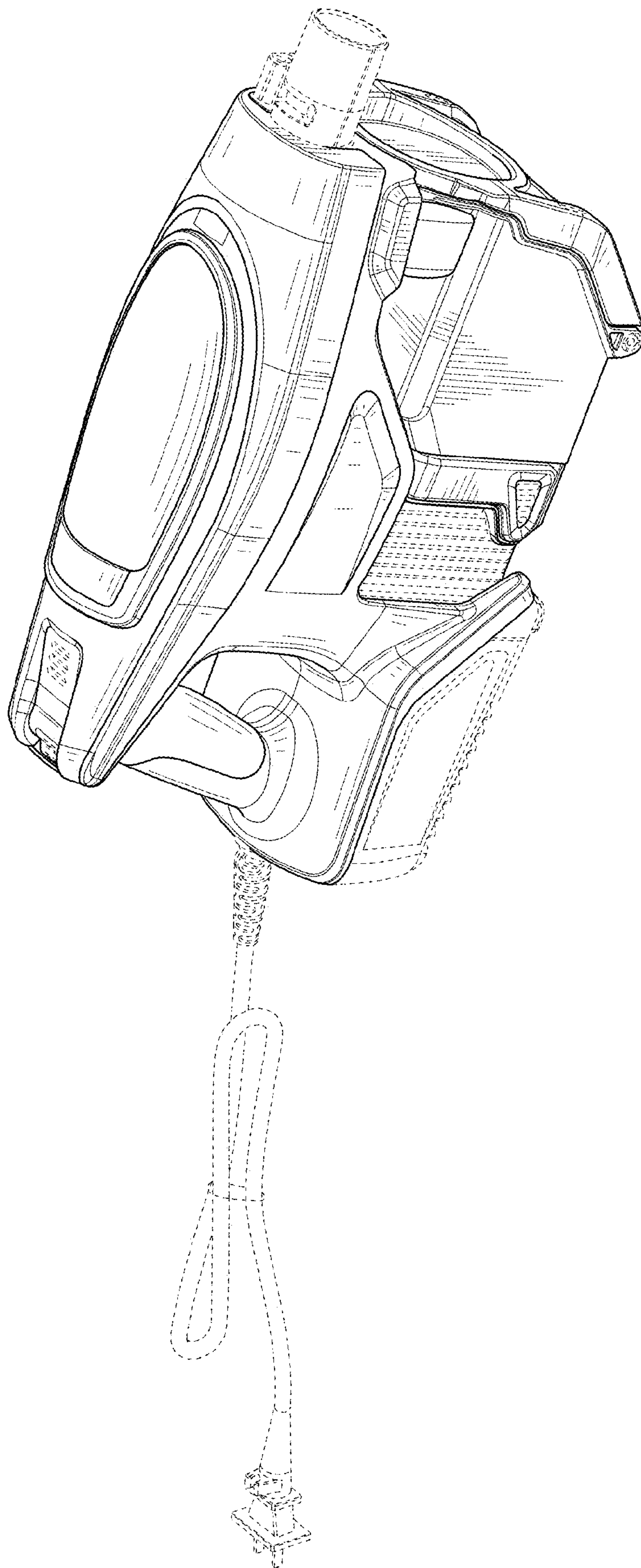


FIG. 10



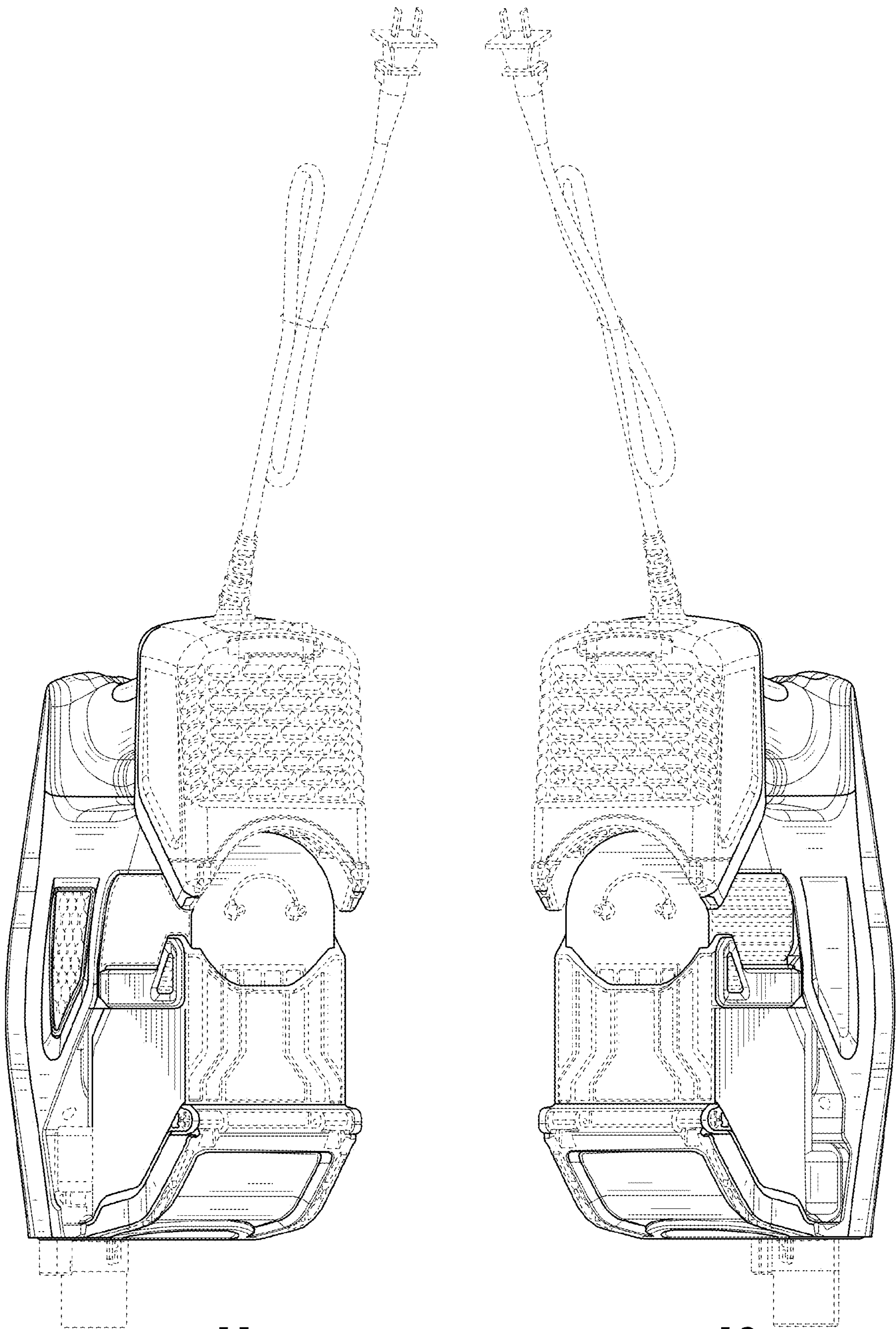


FIG. 11

FIG. 12



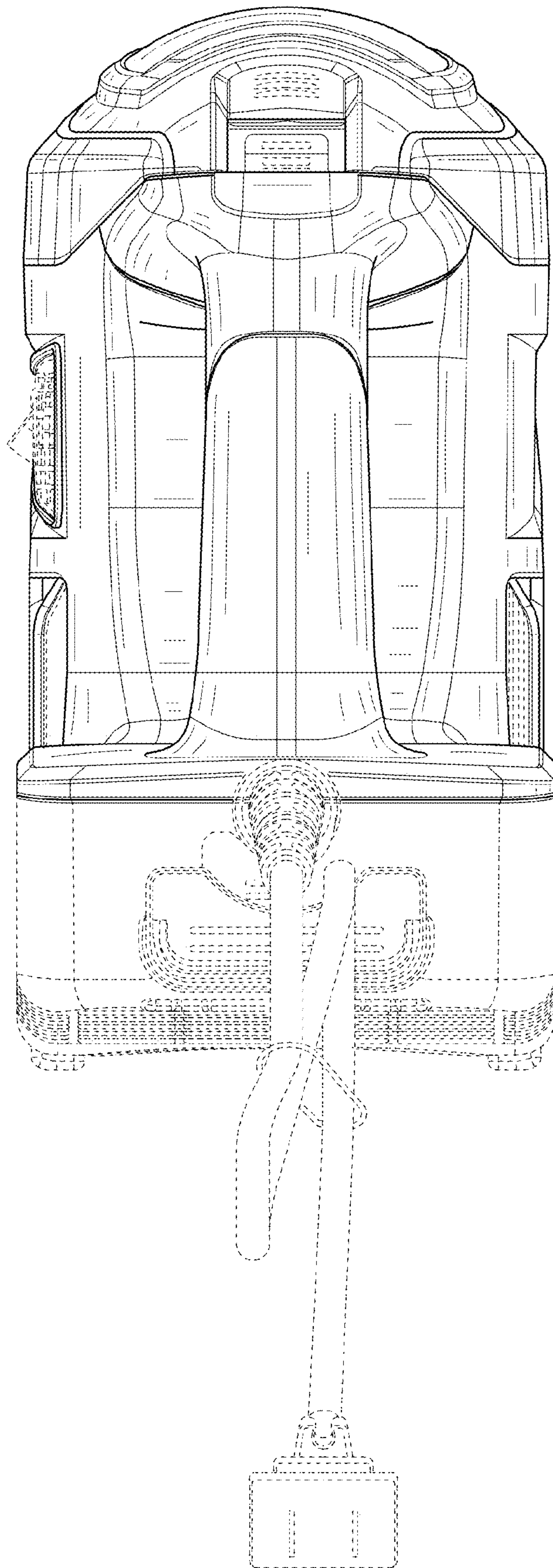
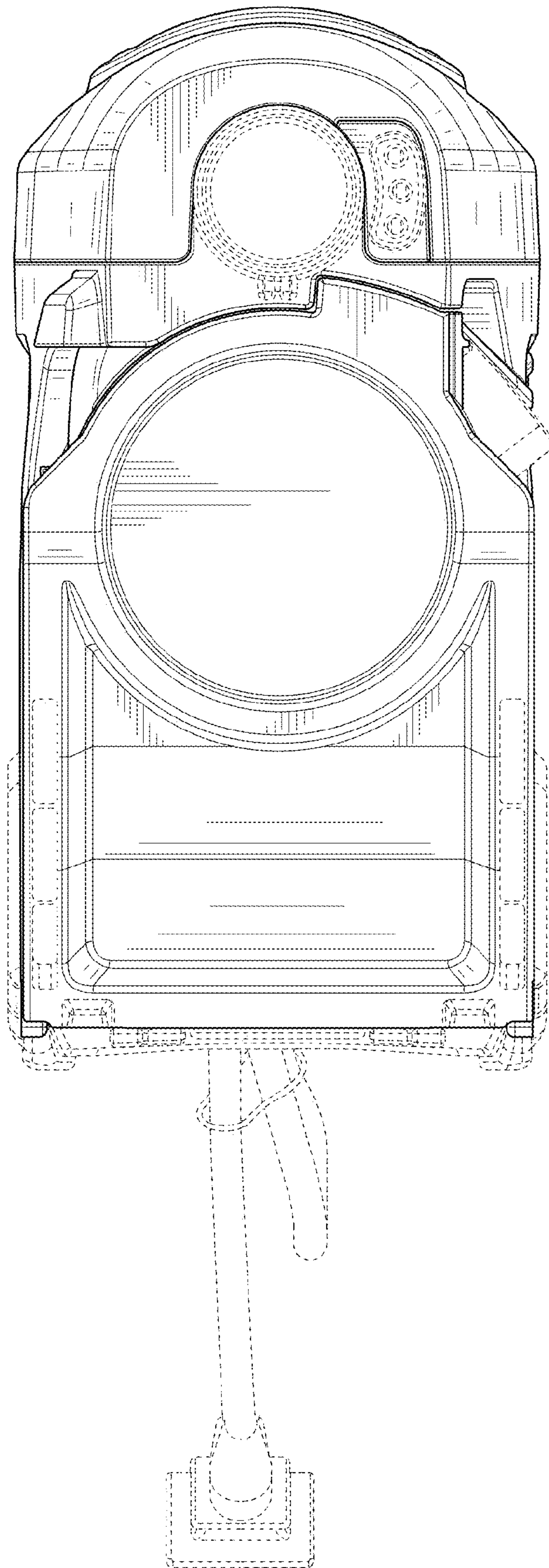


FIG. 13



**FIG. 14**