



US00D927104S

(12) **United States Design Patent**
Fitzsimmons et al.

(10) **Patent No.: US D927,104 S**
(45) **Date of Patent: ** Aug. 3, 2021**

(54) **PORTABLE CYCLONIC DUST COLLECTOR**

FOREIGN PATENT DOCUMENTS

(71) Applicants: **John J. Fitzsimmons**, Clay, NY (US);
Robert M. Witter, Englewood, FL
(US); **Jeffrey Hill**, Cicero, NY (US);
Kyle W. Groening, Syracuse, NY (US);
Joseph Baldwin, Syracuse, NY (US)

CN 303969614 * 12/2016

OTHER PUBLICATIONS

Supercell Mobile Dust Collector, announced 2020 [online], [site visited Oct. 17, 2020], Available from the internet URL: <https://www.oneida-air.com/dust-collectors/supercell-mobile-14-gal-high-pressure-dust-collector> (Year: 2020).*

(Continued)

(72) Inventors: **John J. Fitzsimmons**, Clay, NY (US);
Robert M. Witter, Englewood, FL
(US); **Jeffrey Hill**, Cicero, NY (US);
Kyle W. Groening, Syracuse, NY (US);
Joseph Baldwin, Syracuse, NY (US)

Primary Examiner — Dana K Weiland

Assistant Examiner — Jennylou M Binas

(73) Assignee: **Oneida Air Systems, Inc.**, Syracuse,
NY (US)

(74) *Attorney, Agent, or Firm* — Bernard P. Molldrem, Jr.

(**) Term: **15 Years**

(57) **CLAIM**

(21) Appl. No.: **29/677,351**

The ornamental design for a portable cyclonic dust collector, as shown and described.

(22) Filed: **Jan. 18, 2019**

DESCRIPTION

(51) **LOC (13) Cl.** **15-05**

(52) **U.S. Cl.**
USPC **D32/21**

(58) **Field of Classification Search**
USPC D32/18, 21, 23, 24, 31; D8/70
CPC A47L 2201/024; A47L 5/24; A47L 5/30;
A47L 5/36; A47L 5/225; A47L 5/365;
A47L 9/0036; A47L 9/04; A47L 9/0411;
A47L 9/24; A47L 9/106; A47L 9/1683;
A47L 9/322; A47L 9/325; A47L 9/327;
A47L 9/1608; A47L 7/0004; A47L
7/0095;

(Continued)

FIG. 1 is a perspective view of a portable cyclonic dust collector, showing the new design.
FIG. 2 is a front elevational view thereof.
FIG. 3 is a rear elevational view thereof.
FIG. 4 is a left side elevational view thereof.
FIG. 5 is a right side elevational view thereof.
FIG. 6 is a top plan view thereof.
FIG. 7 is a bottom plan view thereof
FIG. 8 is a front perspective of the portable cyclonic dust collector, showing the unit in a lowered position; and,
FIG. 9 is a rear perspective of the portable cyclonic dust collector, showing the unit in a raised position with a bag holder.

The broken lines showing a bag holder in FIG. 9 depict environmental subject matter that forms no part of the claimed design. All other broken lines in the Drawing Figures depict portions of the portable cyclonic dust collector that form no part of the claimed design.

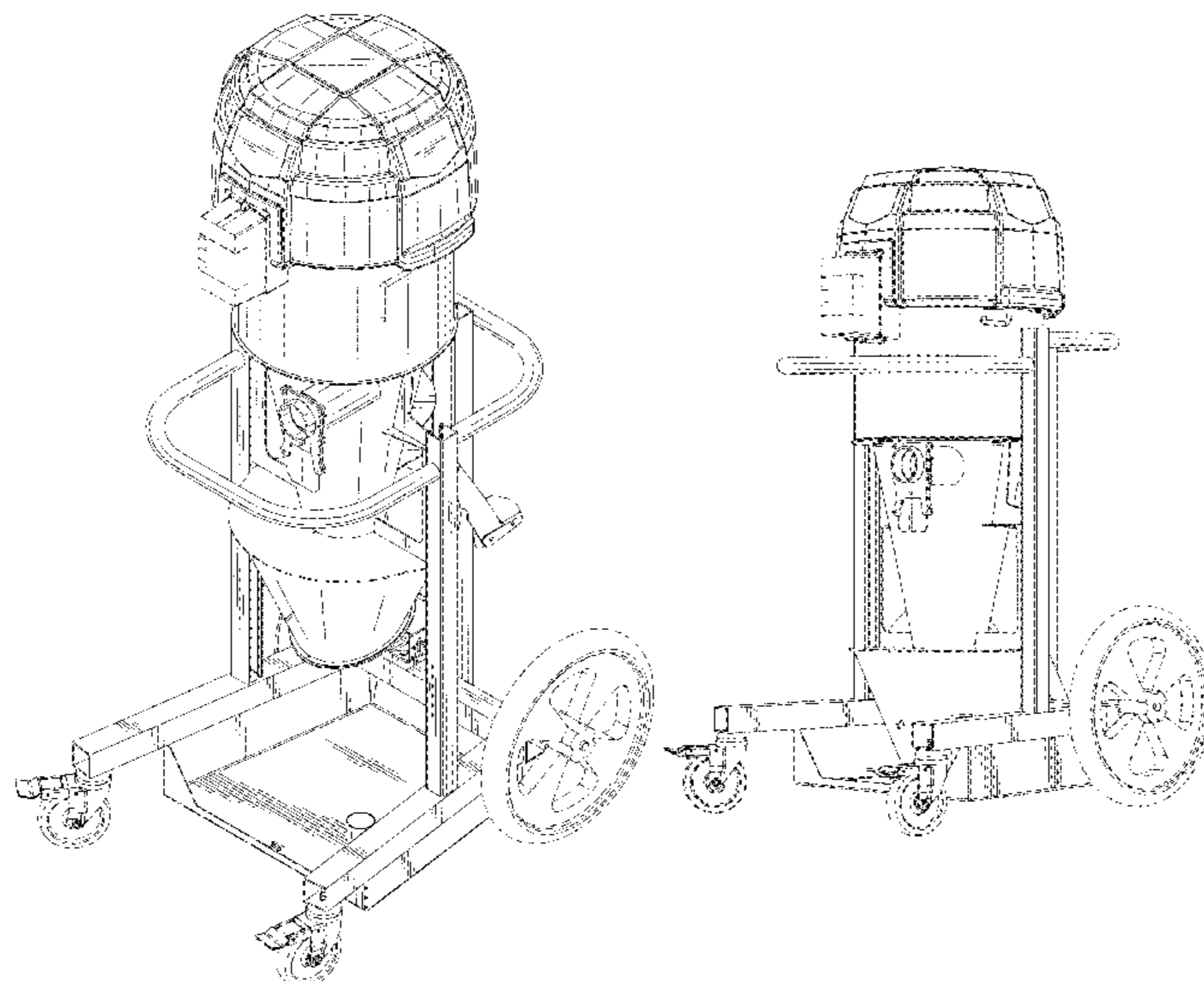
(56) **References Cited**

U.S. PATENT DOCUMENTS

D278,457 S * 4/1985 Schroder D23/205
D527,852 S * 9/2006 Tsai D32/21
D531,769 S * 11/2006 Lin D32/21

(Continued)

1 Claim, 7 Drawing Sheets



(58) **Field of Classification Search**
 CPC B23Q 11/0046; B23Q 11/0071; B25D
 16/00

See application file for complete search history.

2019/0125153 A1* 5/2019 Loveless A47L 9/106
 2019/0133393 A1* 5/2019 Cheng A47L 5/34
 2019/0299141 A1* 10/2019 Cheng B01D 45/12

(56) **References Cited**

U.S. PATENT DOCUMENTS

D533,694	S	*	12/2006	Cheng	D32/21
D593,264	S	*	5/2009	Lin	D32/21
D629,576	S	*	12/2010	Cheng	D32/21
D630,391	S	*	1/2011	Cheng	D32/21
D630,392	S	*	1/2011	Lin	D32/21
D651,775	S	*	1/2012	Cheng	D32/21
D651,776	S	*	1/2012	Cheng	D32/21
8,393,050	B2	*	3/2013	Witter	B04C 5/185 15/353
D690,064	S	*	9/2013	Witter	D32/21
D706,317	S	*	6/2014	Eliason	D15/124
D804,116	S	*	11/2017	Cheng	D32/21
2011/0078873	A1	*	4/2011	Herrett	A47L 5/38 15/347
2011/0203238	A1	*	8/2011	Witter	B01D 46/0093 55/356
2012/0272631	A1	*	11/2012	Lin	A47L 9/00 55/467
2018/0169558	A1	*	6/2018	Cheng	B01D 50/002
2018/0339257	A1	*	11/2018	Cheng	B01D 46/0045
2018/0345199	A1	*	12/2018	Cheng	B01D 46/521

OTHER PUBLICATIONS

Pulse-Bac Ascent Baggers, announced 2020 [online], [site visited Oct. 17, 2020], Available from the internet URL: <https://www.pulsebac.com/ascent-bagger-vacuums> (Year: 2020).*

Best Cyclone Dust Collector, announced Oct. 17, 2019 [online], [site visited Oct. 17, 2020], Available from the internet URL: <https://www.chainsawjournal.com/best-cyclone-dust-collector/> (Year: 2019).*

OSHA Silica-4 Critical Dust Collector Rules, announced in YouTube on Jan. 8, 2018 [online], [site visited Oct. 19, 2020], Available from the internet URL: <https://www.youtube.com/watch?v=L31-dSooQOw> (Year: 2018).*

Pulse-Bac HPLM-3690, announced in YouTube on Aug. 10, 2015 [online], [site visited Oct. 17, 2020], Available from the internet URL: https://www.youtube.com/watch?v=sRIMC1_Xs6M (Year: 2015).*

Oneida Air Systems CC500, announced on Nov. 28, 2018 [online], [site visited Oct. 22, 2020], Available from the internet URL: https://www.concreteconstruction.net/products/concrete-construction-equipment-tools/editors-choice-oneida-air-systems-cc500_o (Year: 2018).*

* cited by examiner

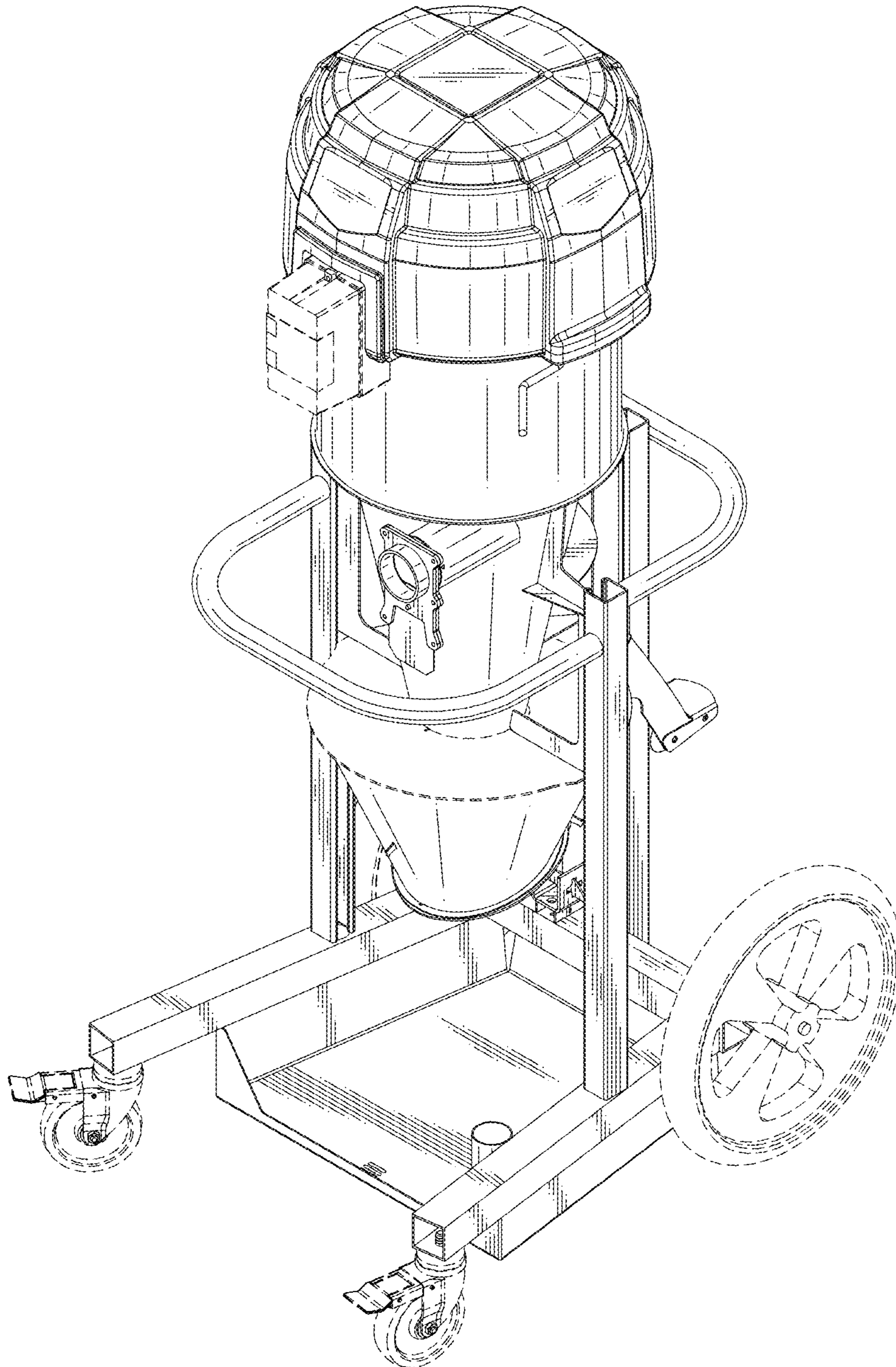


FIG. 1

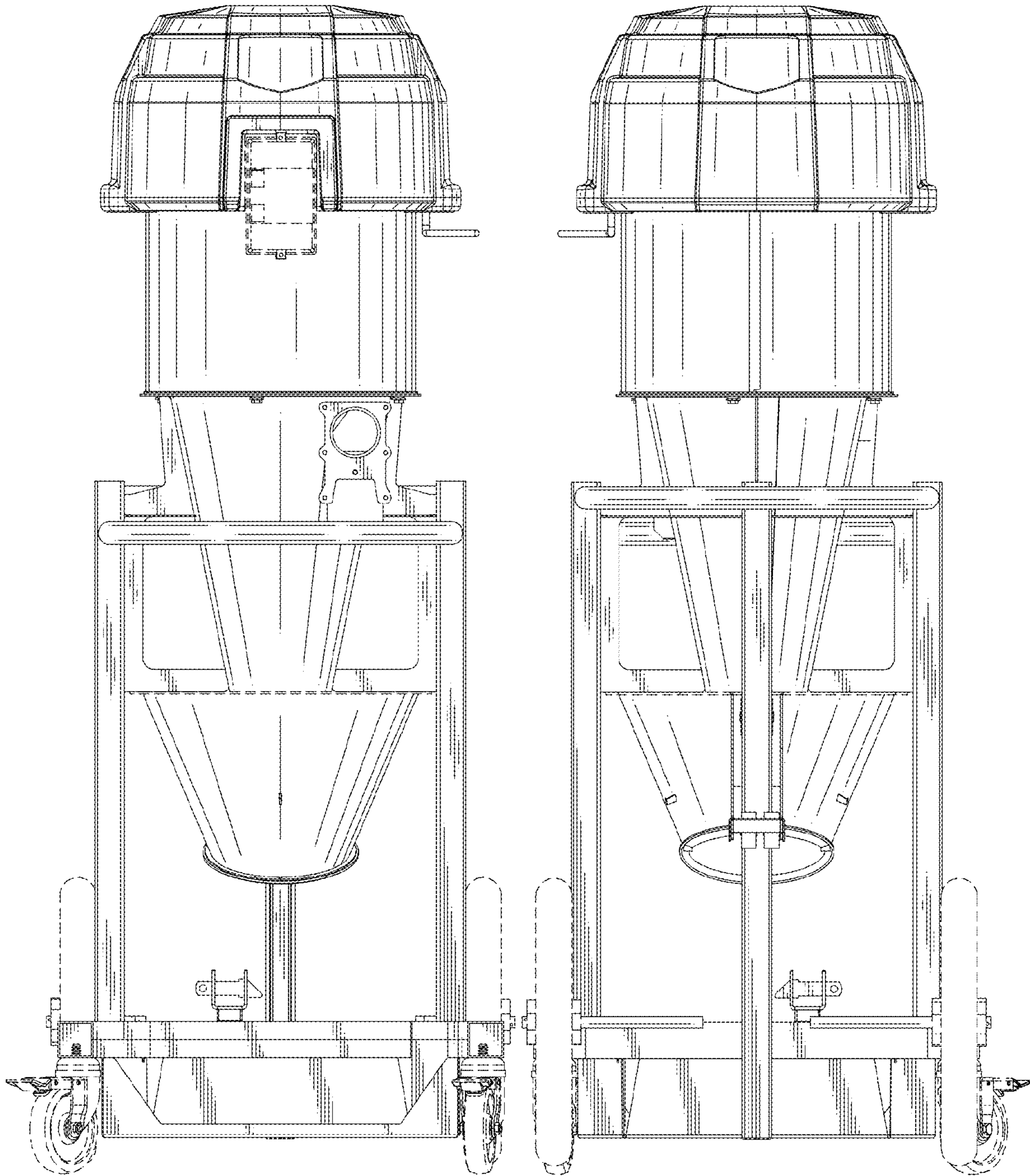


FIG. 2

FIG. 3

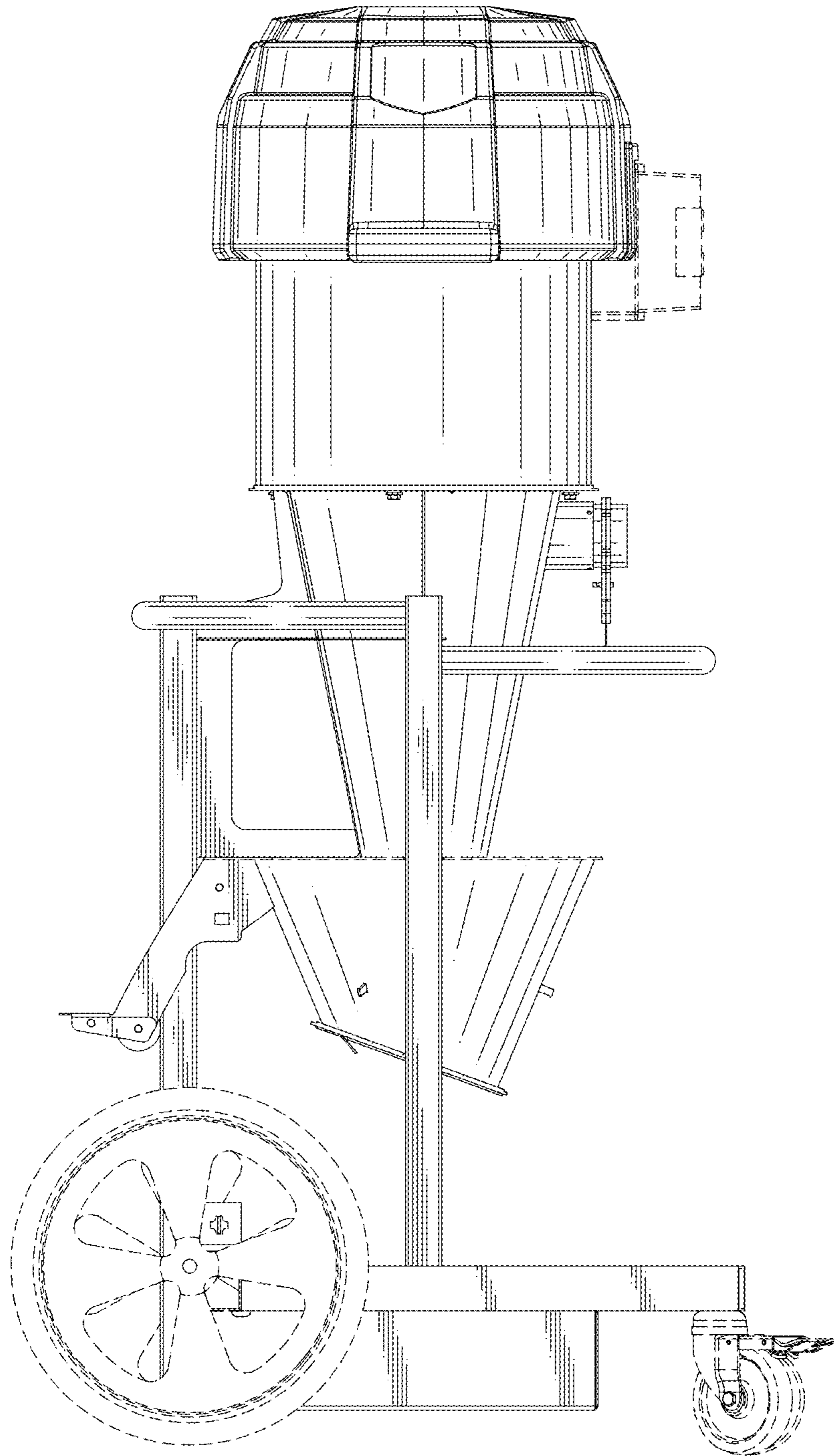


FIG.4

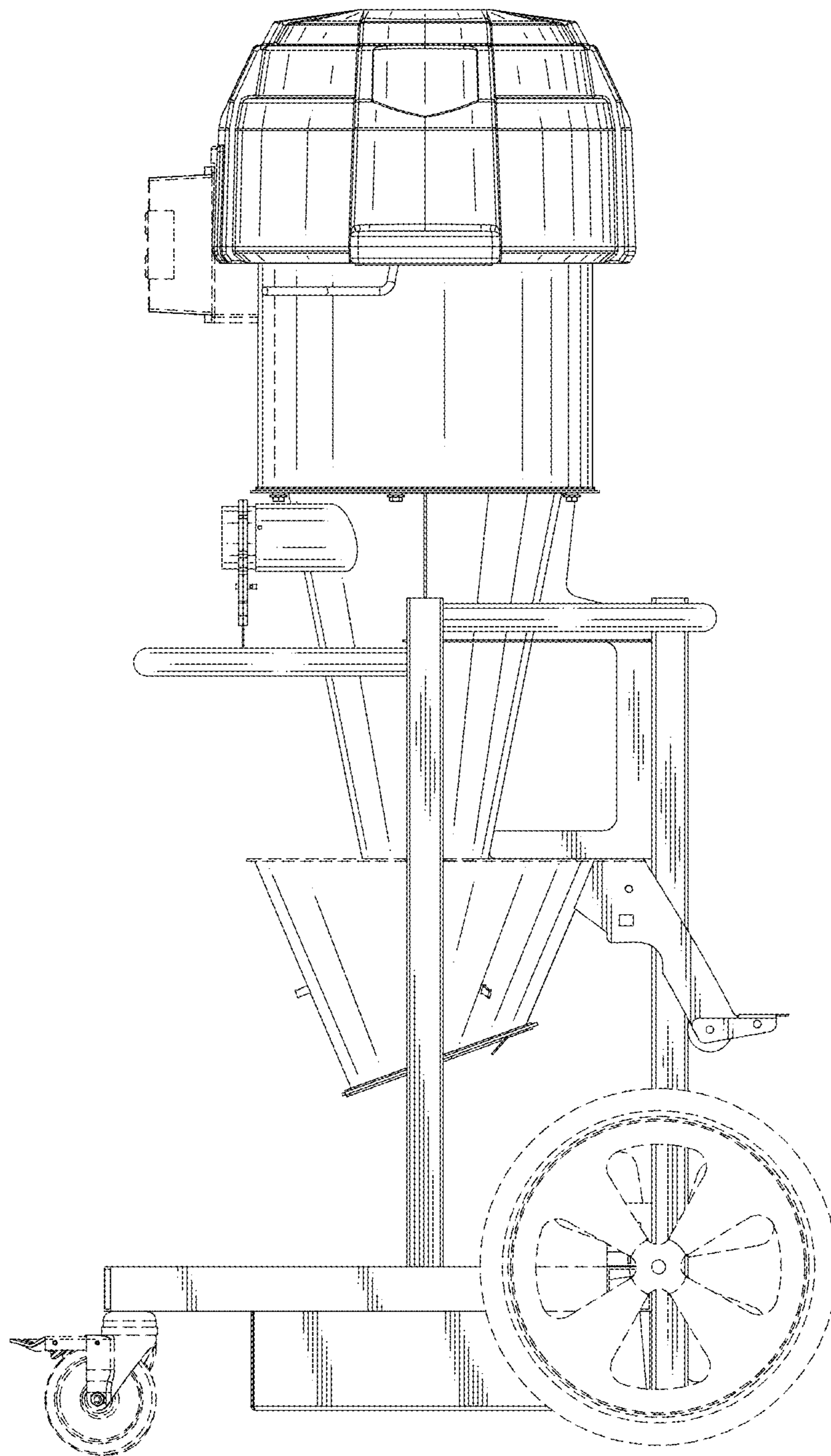


FIG.5

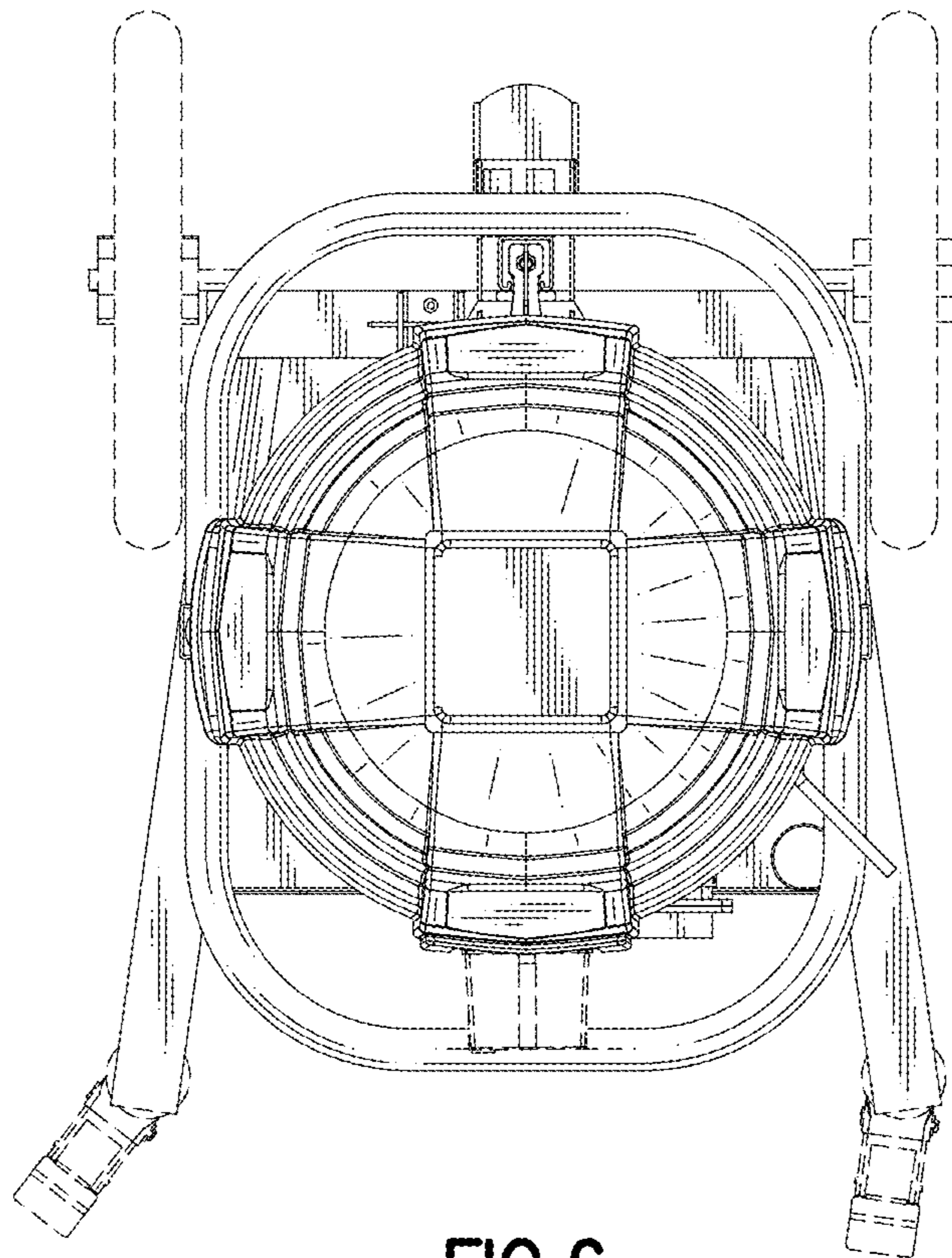


FIG. 6

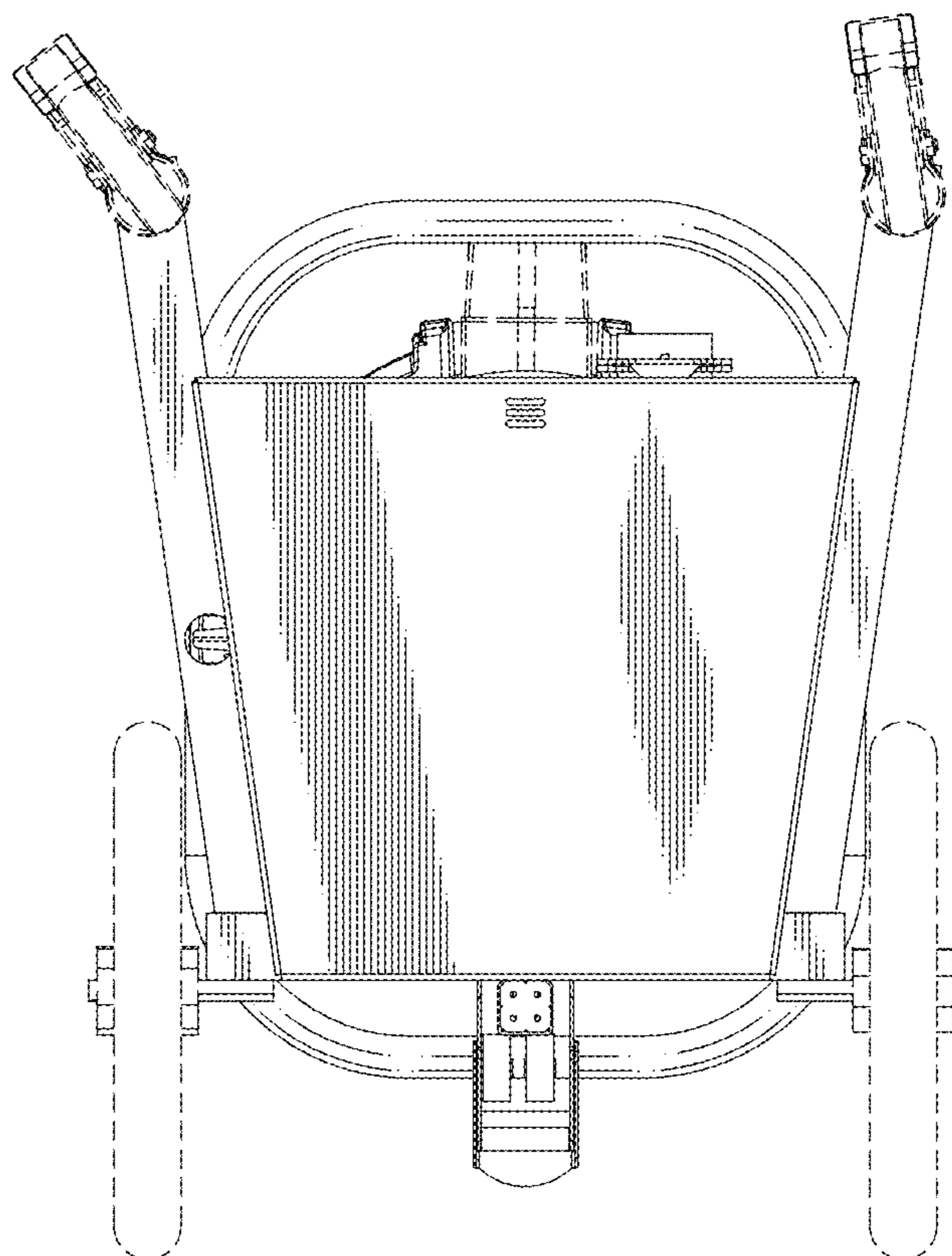


FIG. 7

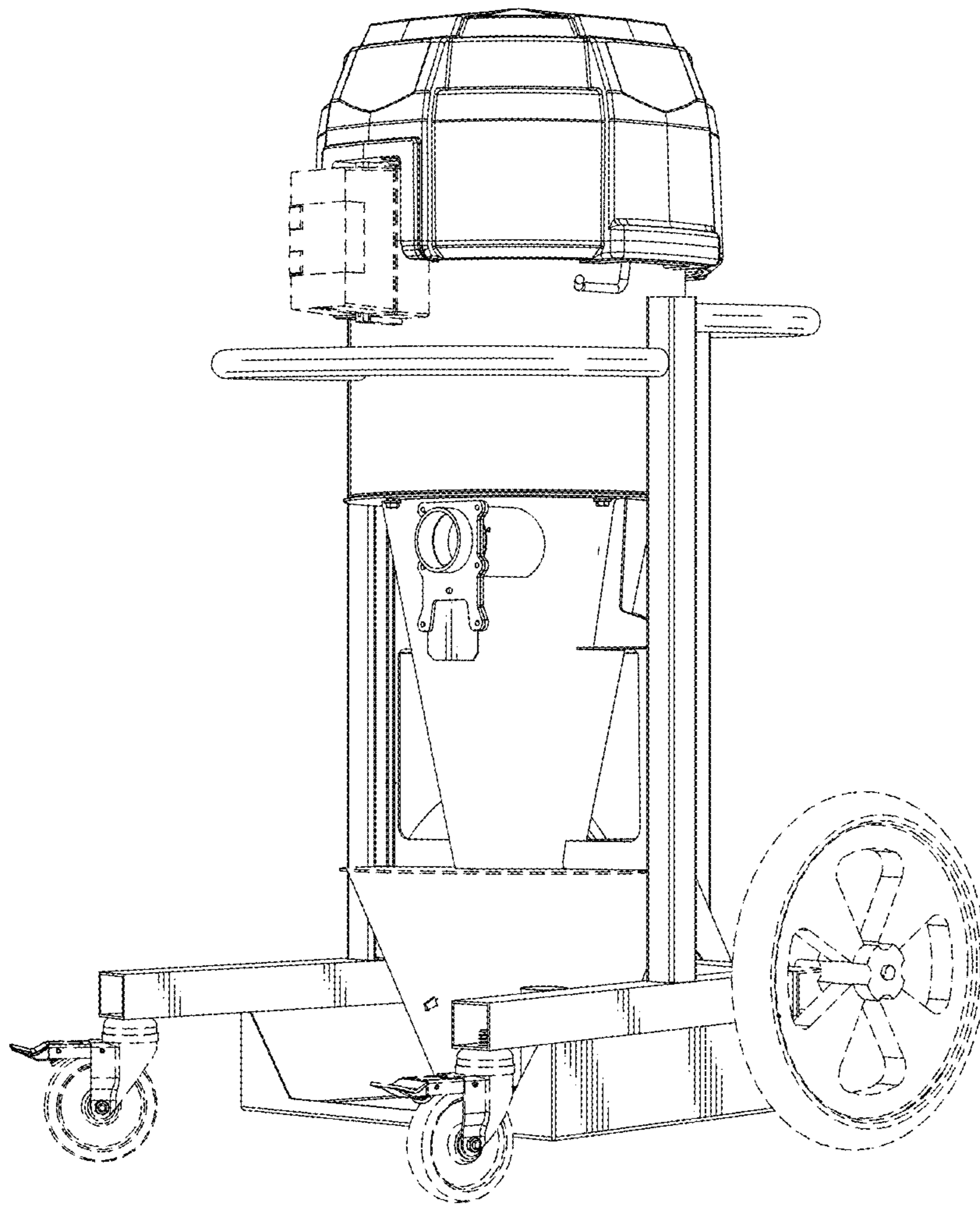


FIG.8

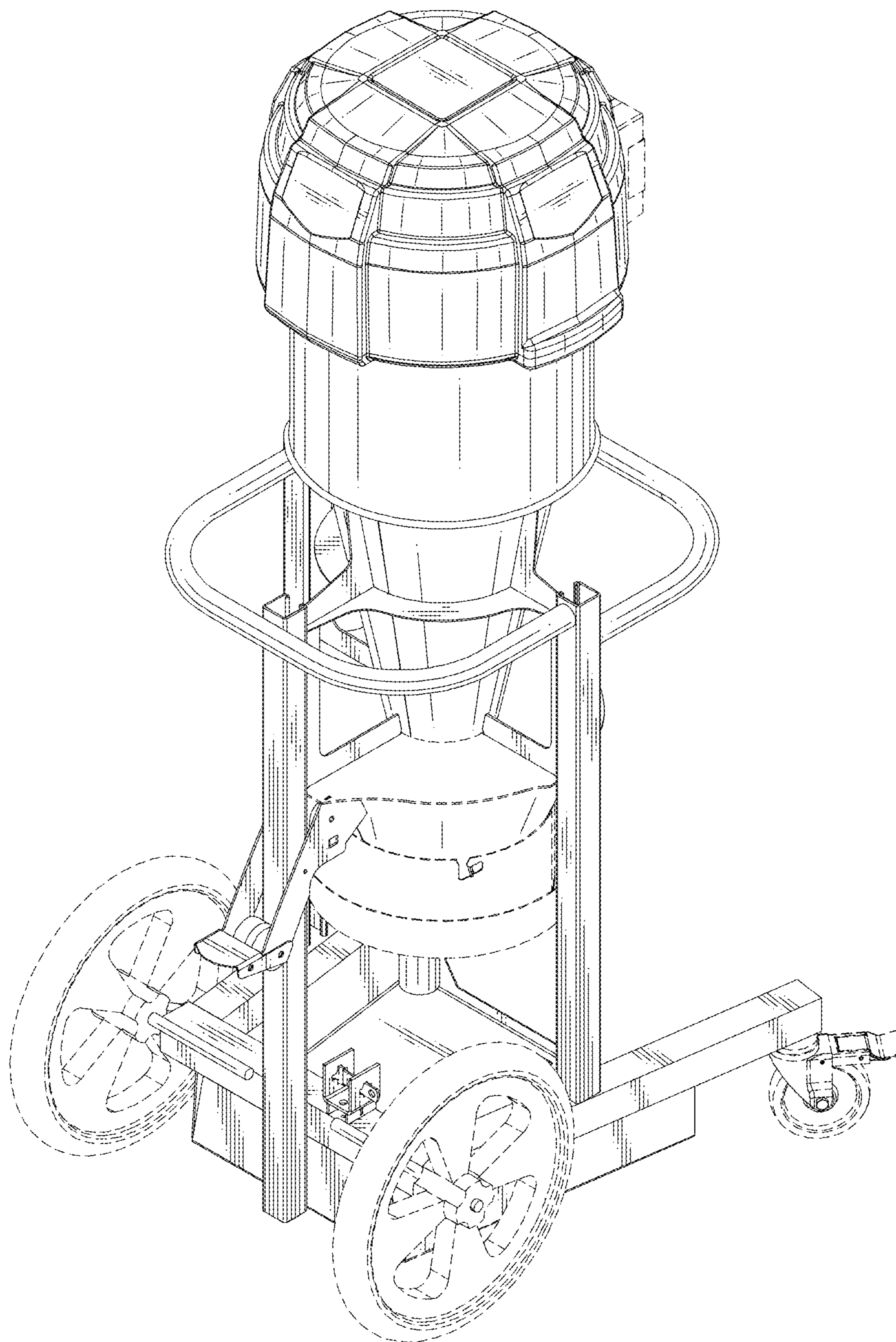


FIG.9