



US00D927102S

(12) **United States Design Patent** (10) **Patent No.:** **US D927,102 S**
Alexander et al. (45) **Date of Patent:** **** Aug. 3, 2021**

(54) **PRESSURE WASHER FRAME**

FOREIGN PATENT DOCUMENTS

(71) Applicant: **FNA Group, Inc.**, Pleasant Prairie, WI (US)

CN 304461782 * 1/2018
CN 304881514 * 11/2018
WO WO D100224-001 * 3/2020

(72) Inventors: **Gus Alexander**, Inverness, IL (US);
Christopher C. Alexander, Park Ridge, IL (US)

OTHER PUBLICATIONS

(73) Assignee: **FNA Group, Inc.**, Pleasant Prairie, WI (US)

Karcher G3000 X Home Depot website reviews 2019, <https://www.homedepot.com/p/Karcher-G3000-X-3000-PSI-Gas-PW-2-4-GPM-with-Karc...> site visited Aug. 31, 2020.*

(Continued)

(**) Term: **15 Years**

Primary Examiner — John R Yeh

(21) Appl. No.: **29/668,186**

(74) *Attorney, Agent, or Firm* — Steven E. Jedlinski; Jeffrey T. Placker; Holland & Knight LLP

(22) Filed: **Oct. 29, 2018**

(57) **CLAIM**

The ornamental design for a pressure washer frame, as shown and described.

(51) **LOC (13) Cl.** **15-05**

(52) **U.S. Cl.** **D32/15**
USPC

DESCRIPTION

(58) **Field of Classification Search**
USPC D32/15-16
CPC B05B 9/04; B05B 7/24
See application file for complete search history.

FIG. 1 is a front-left perspective view of a pressure washer frame in an unfolded configuration;
FIG. 2 is a front elevation view thereof;
FIG. 3 is a rear elevation view thereof;
FIG. 4 is a right side elevation view thereof;
FIG. 5 is a left side elevation view thereof;
FIG. 6 is a top plan view thereof;
FIG. 7 is a bottom plan view thereof;
FIG. 8 is a front-left perspective view of the pressure washer frame of FIG. 1 in a folded configuration;
FIG. 9 is a front elevation view thereof;
FIG. 10 is a rear elevation view thereof;
FIG. 11 is a right side elevation view thereof;
FIG. 12 is a right side elevation view thereof;
FIG. 13 is a top plan view thereof; and,
FIG. 14 is a bottom plan view thereof.

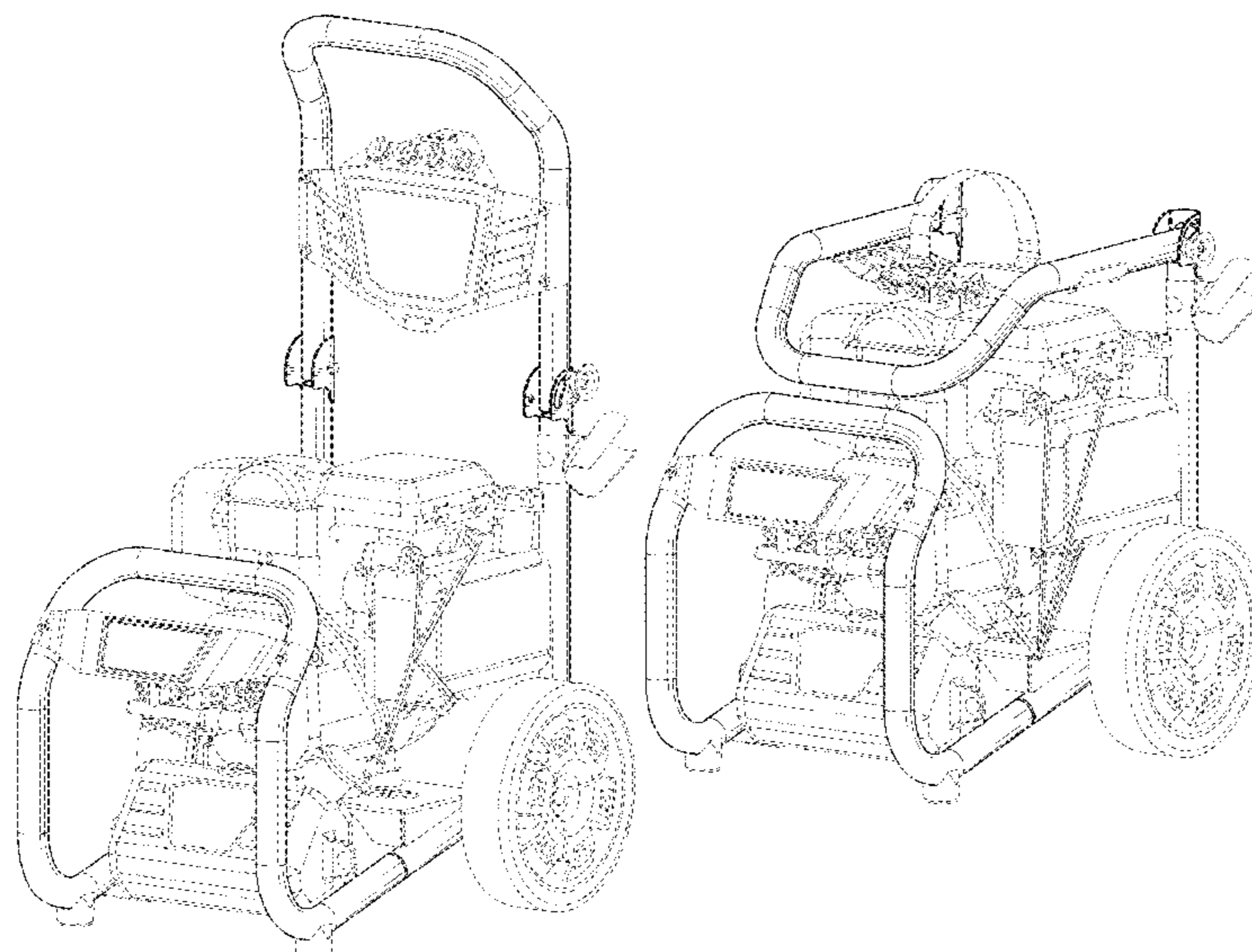
(56) **References Cited**

U.S. PATENT DOCUMENTS

5,494,414 A 2/1996 Steinhart et al.
D375,590 S 11/1996 Steinhart et al.
D375,591 S * 11/1996 Fryoux D32/15
D402,433 S 12/1998 Wells
D463,888 S * 10/2002 Rehkugler B08B 3/026
D32/1
D467,692 S 12/2002 Morgan et al.
D499,848 S * 12/2004 Leasure D32/15
D529,670 S * 10/2006 Hendy D32/15
D531,767 S * 11/2006 Hastie D32/15
D532,942 S * 11/2006 Busschaert D32/15
D580,610 S 11/2008 Hawkins
D590,110 S 4/2009 Hawkins

The broken lines are included for the purpose of illustrating portions of the pressure washer frame that form no part of the claimed design.

1 Claim, 14 Drawing Sheets



(56)

References Cited

U.S. PATENT DOCUMENTS

D596,817 S 7/2009 Glass et al.
 D622,471 S 8/2010 Hernandez
 D633,263 S 2/2011 Fay
 D634,083 S 3/2011 Fay
 D639,001 S 5/2011 Alexander et al.
 D648,082 S 11/2011 Alexander et al.
 D665,545 S 8/2012 Alexander et al.
 D688,841 S 8/2013 van Deursen
 8,602,323 B2 12/2013 Bearup et al.
 D702,900 S 4/2014 Kahan et al.
 D703,888 S 4/2014 Kahan et al.
 D732,764 S 6/2015 Kennard et al.
 D733,373 S 6/2015 Kahan et al.
 D778,011 S * 1/2017 Alexander D32/16
 D779,744 S * 2/2017 Weinberg D32/16
 D779,745 S * 2/2017 Weinberg D32/16
 D779,746 S * 2/2017 Weinberg D32/16
 D804,750 S * 12/2017 Janik D32/16
 D809,721 S * 2/2018 Venard D32/15

D824,612 S 7/2018 Alexander
 D824,613 S 7/2018 Alexander et al.
 D834,269 S * 11/2018 Masters D32/15
 D836,272 S * 12/2018 Janik D32/15
 D839,512 S * 1/2019 Bearup D32/25
 2007/0186813 A1 * 8/2007 Smith B05D 1/02
 106/281.1
 2015/0306614 A1 10/2015 Pierce
 2016/0067726 A1 3/2016 Gilpatrick et al.
 2018/0021800 A1 1/2018 Janik
 2018/0021819 A1 1/2018 Schaller et al.

OTHER PUBLICATIONS

Notice of Allowance issued in U.S. Appl. No. 29/598,855 dated Dec. 19, 2018.
 Notice of Allowance issued in U.S. Appl. No. 29/598,862 dated Apr. 4, 2018.
 Notice of Allowance issued in U.S. Appl. No. 29/604,560 dated Apr. 4, 2018.
 * cited by examiner

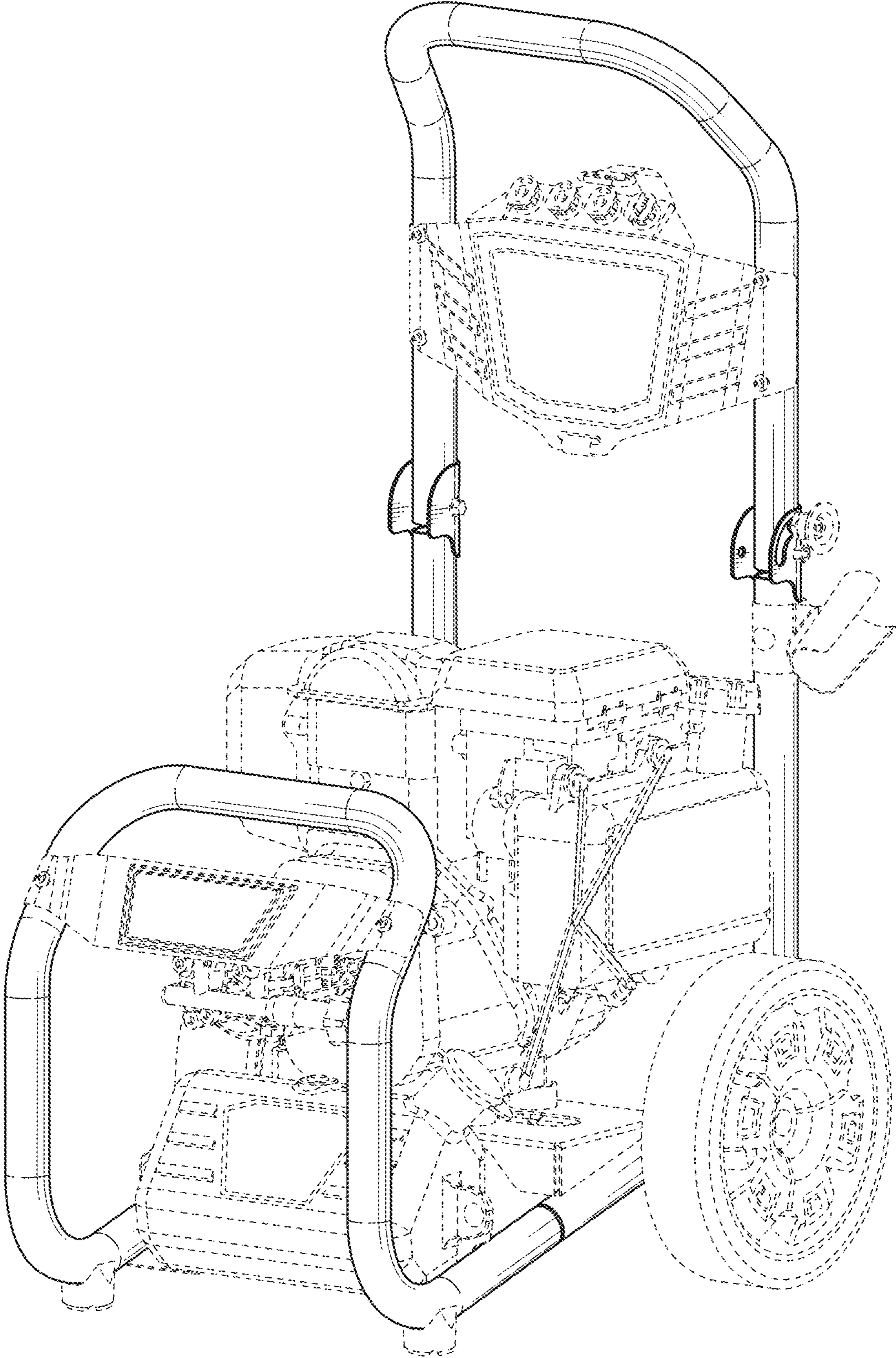


FIG. 1

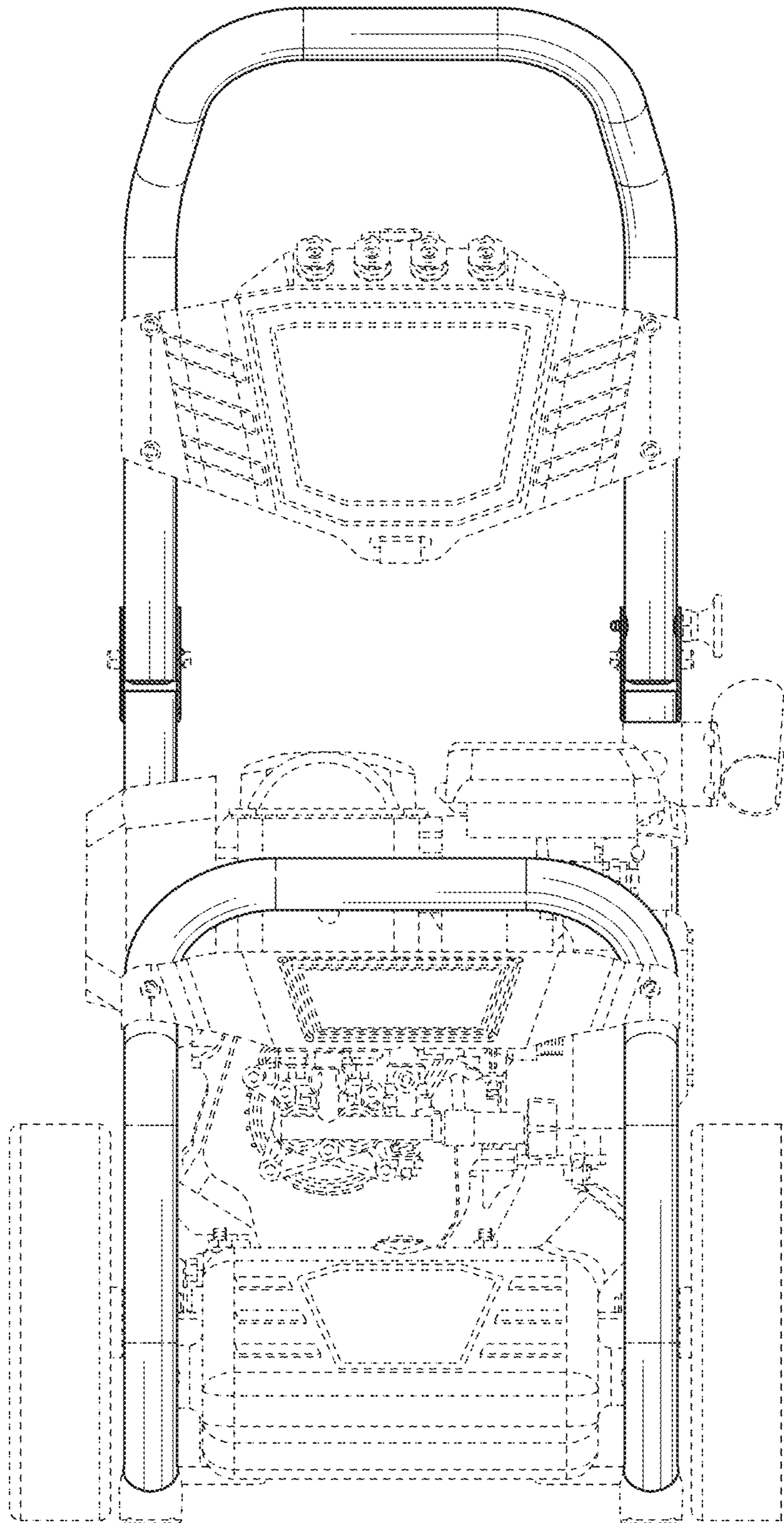


FIG. 2

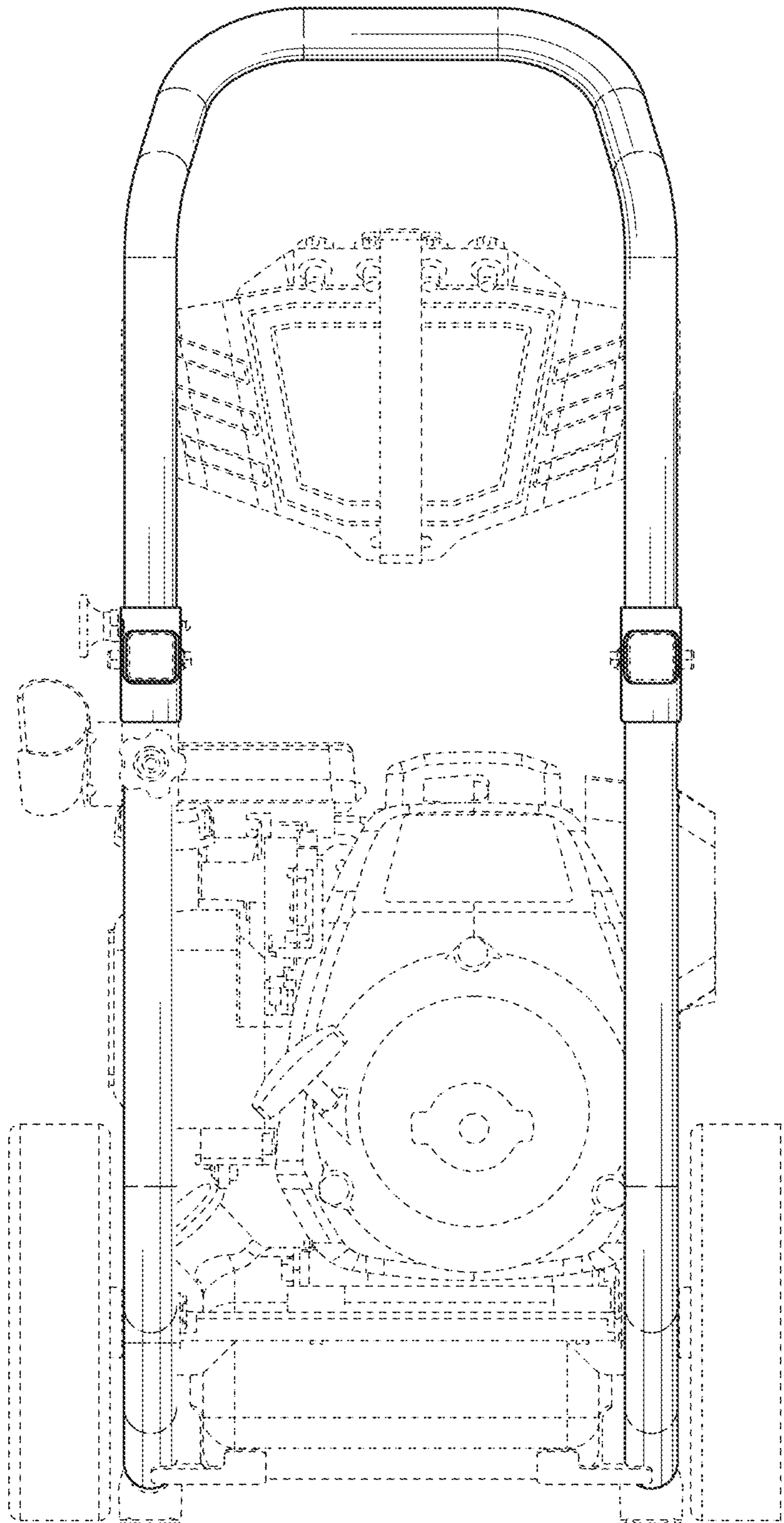


FIG. 3

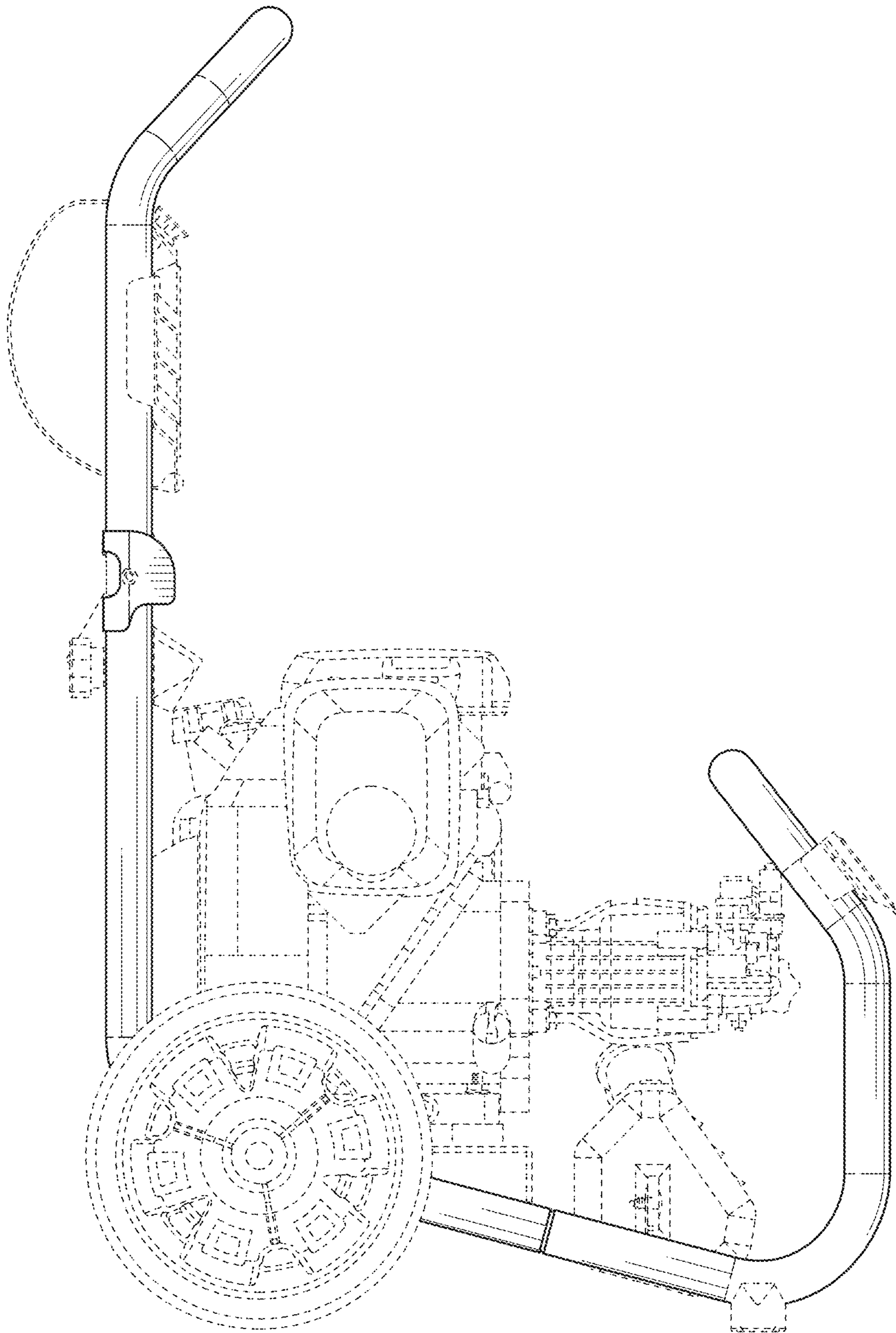


FIG. 4

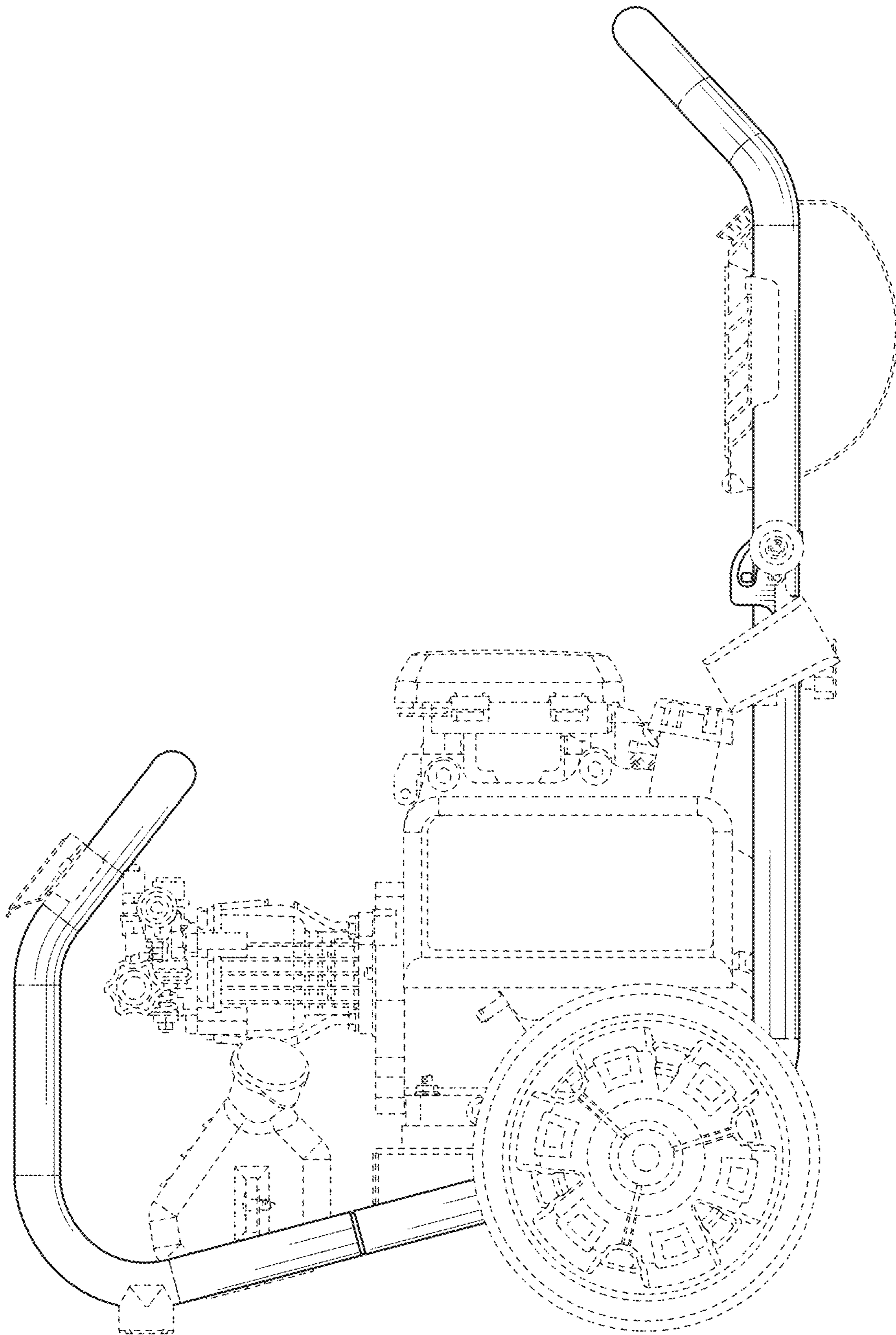


FIG. 5

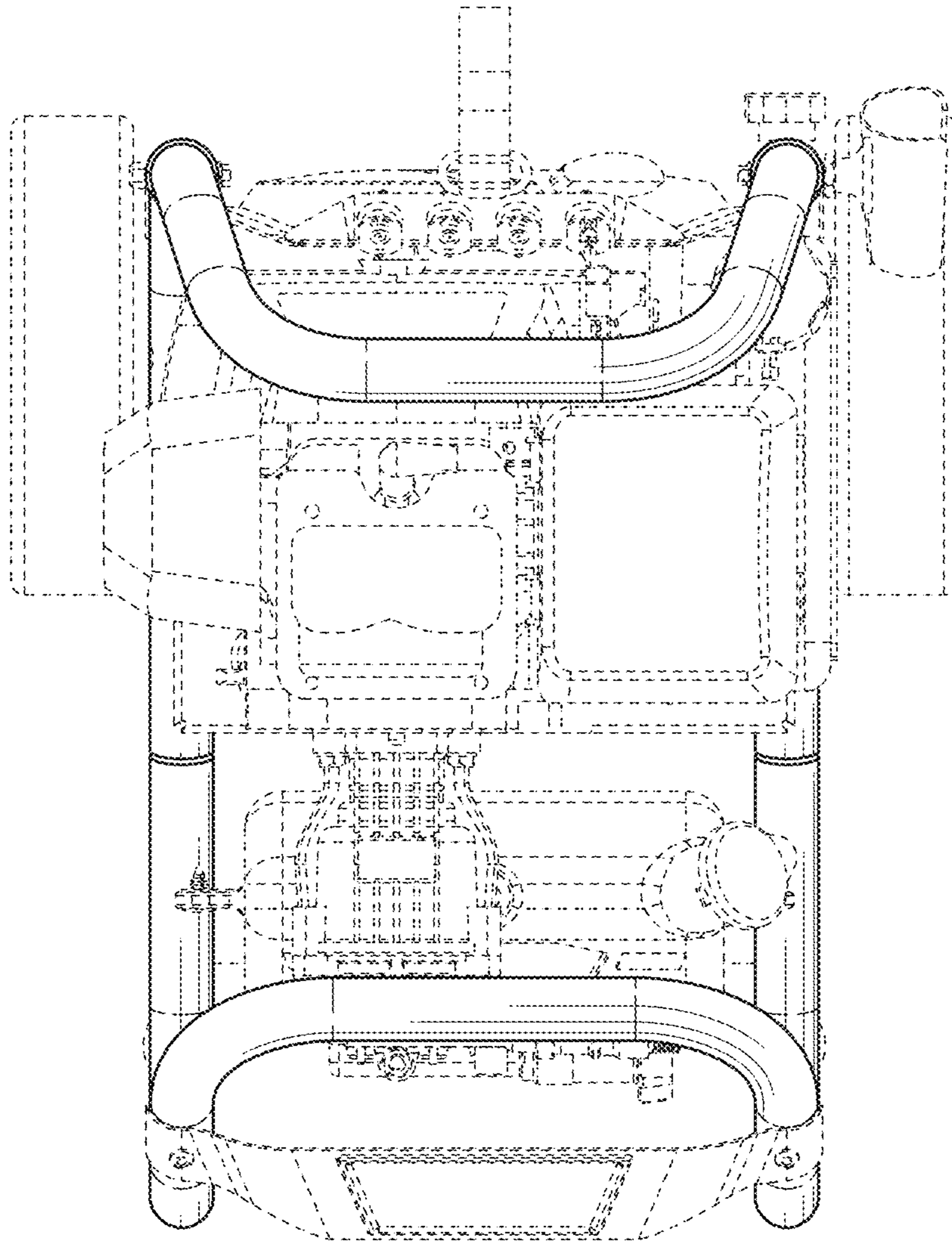


FIG. 6

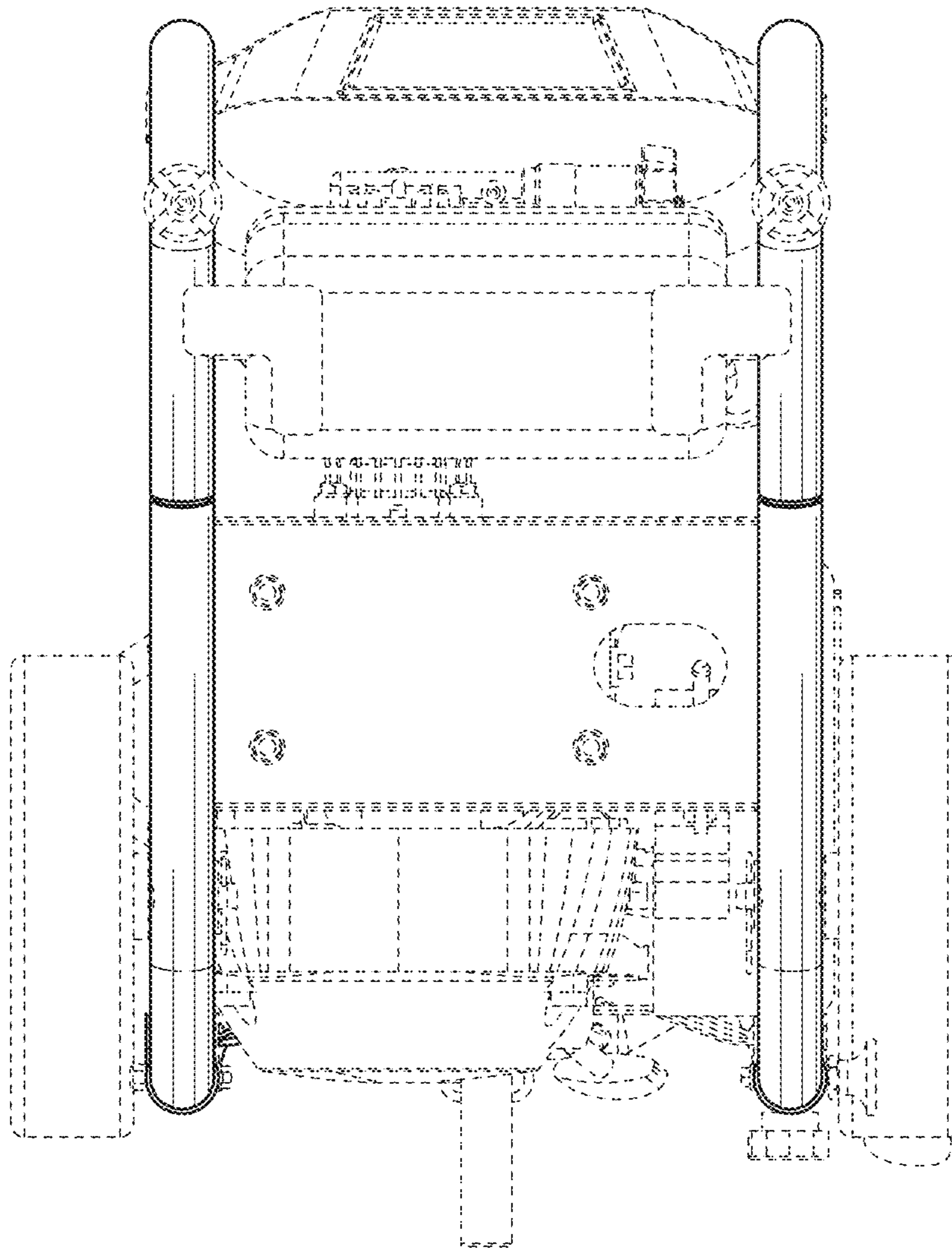


FIG. 7

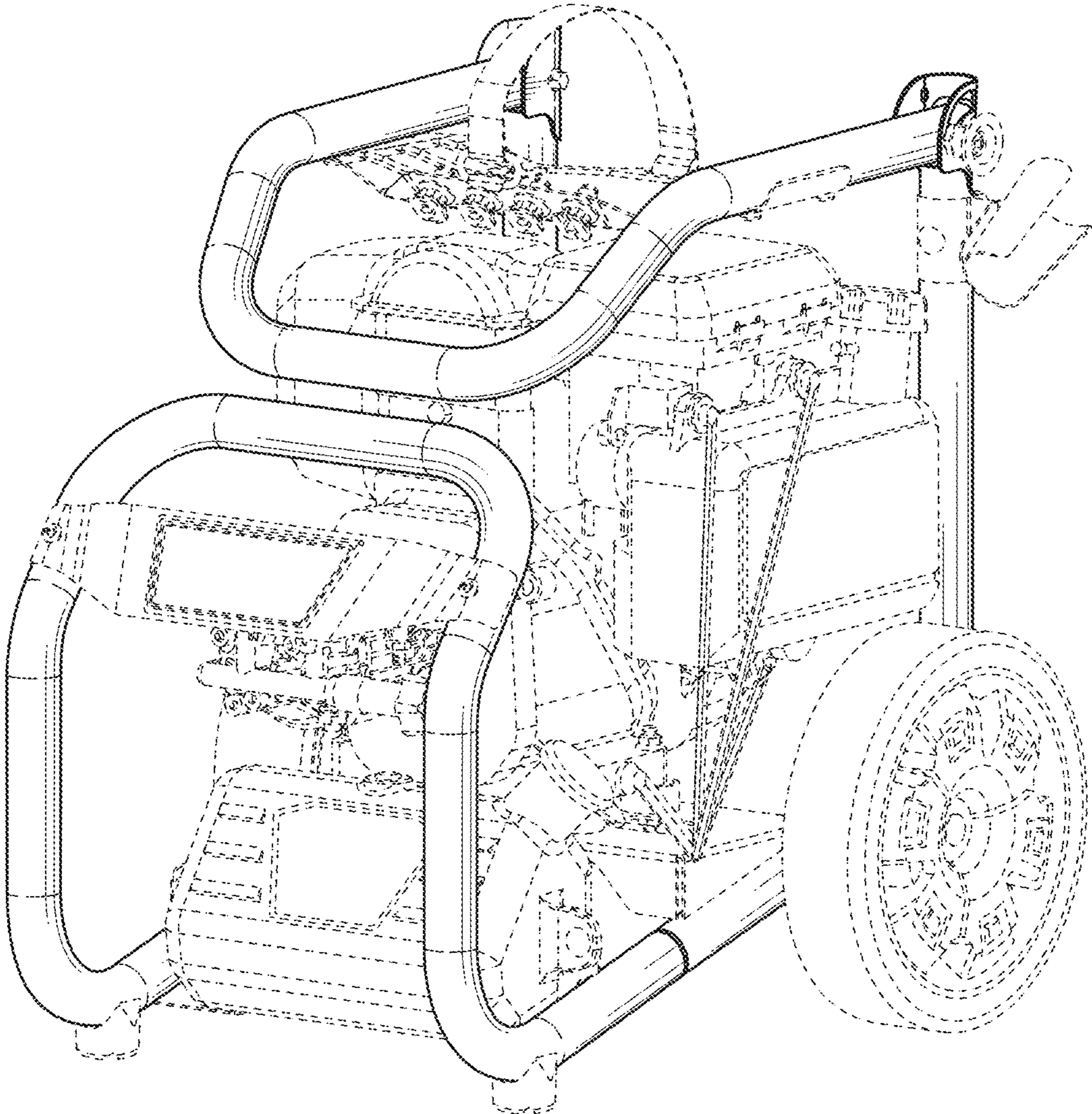


FIG. 8

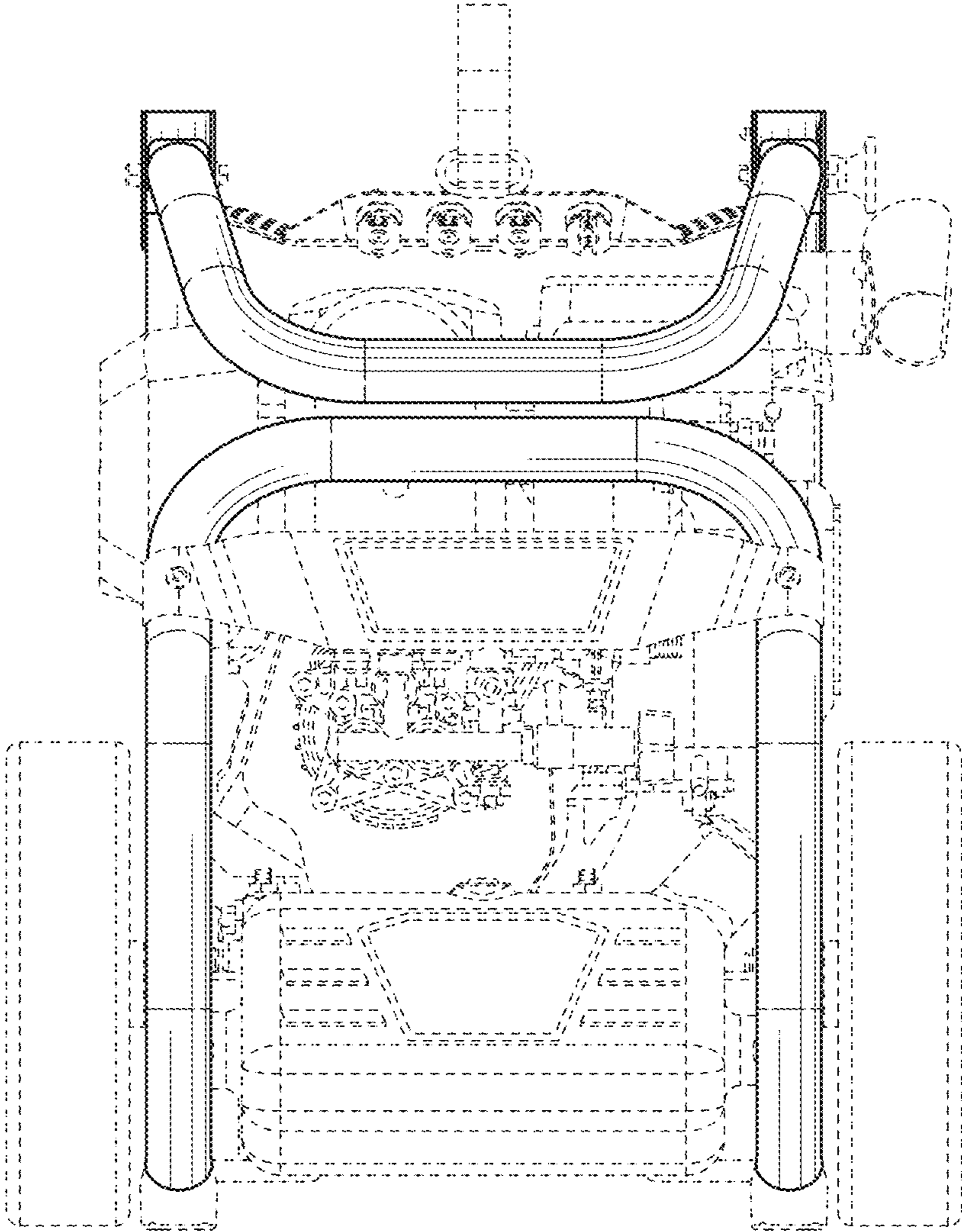


FIG. 9

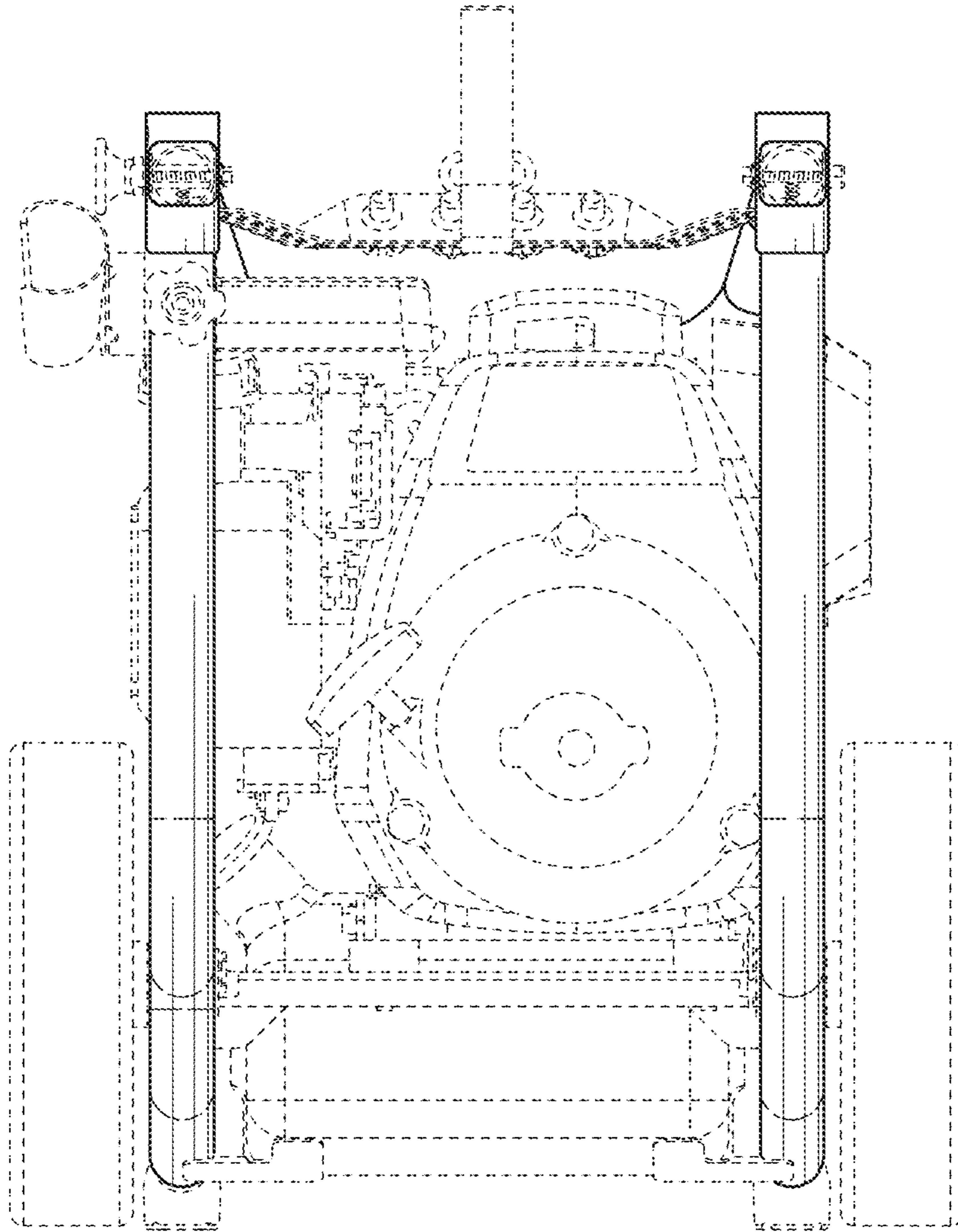


FIG. 10

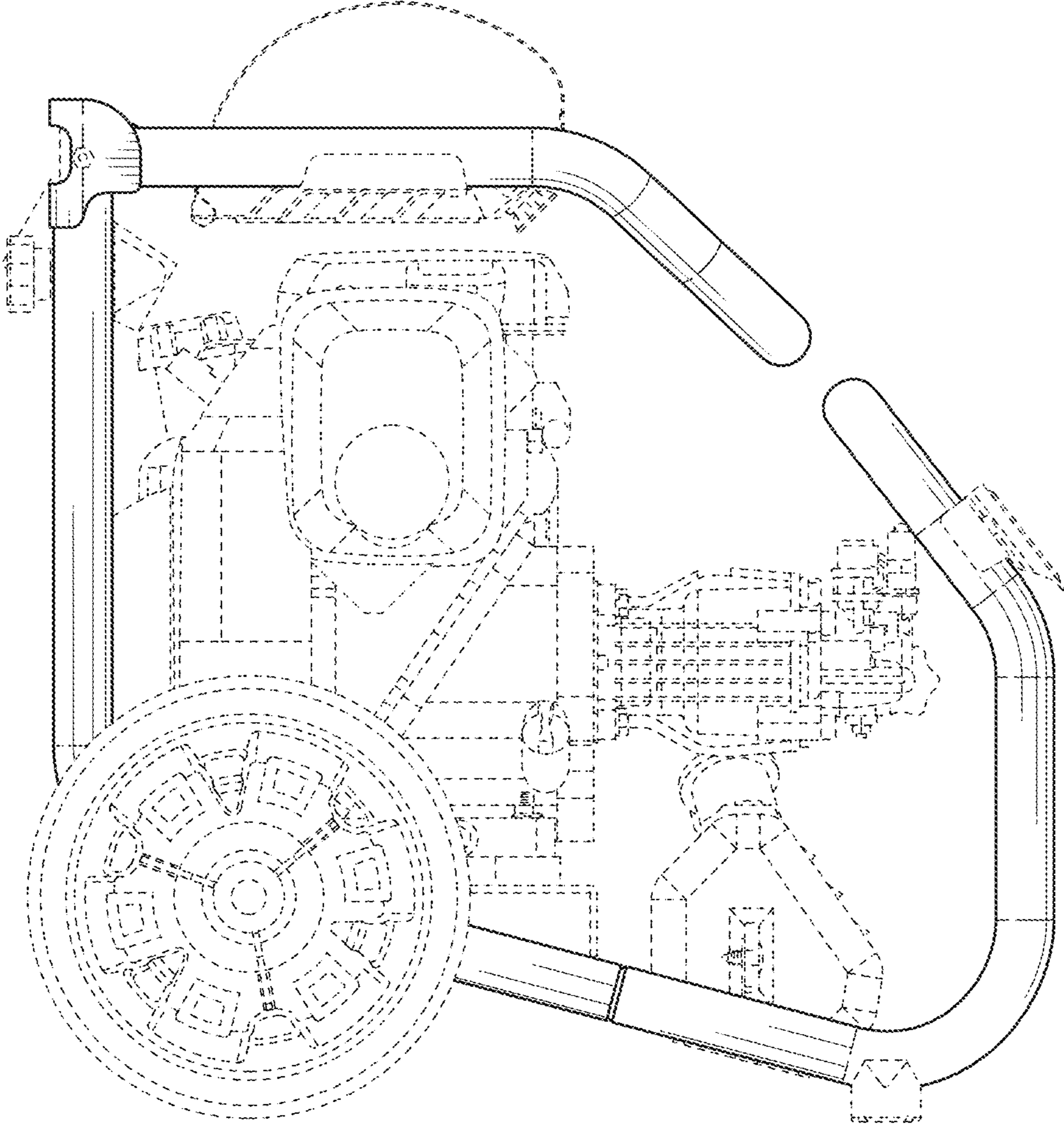


FIG. 11

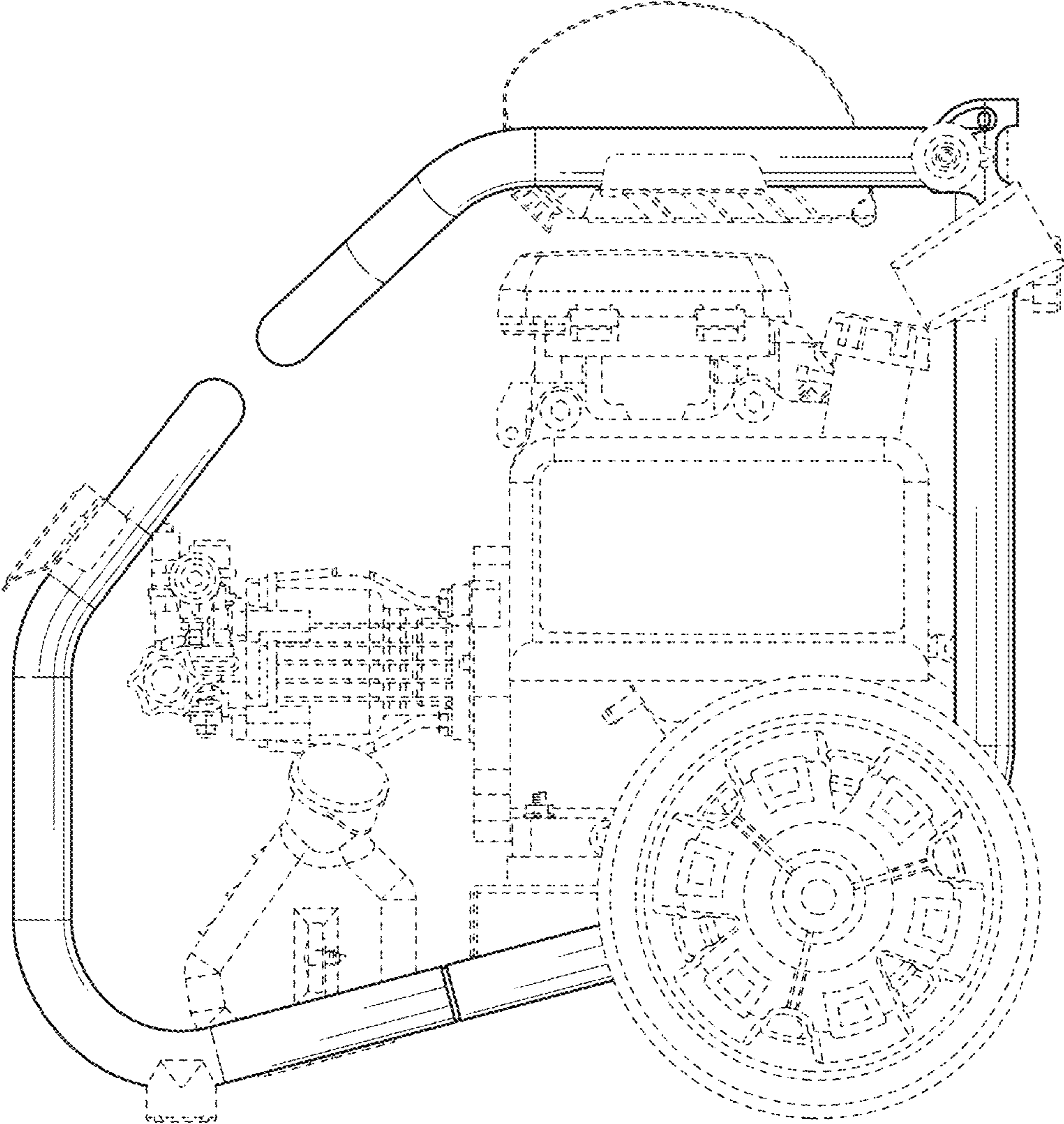


FIG. 12

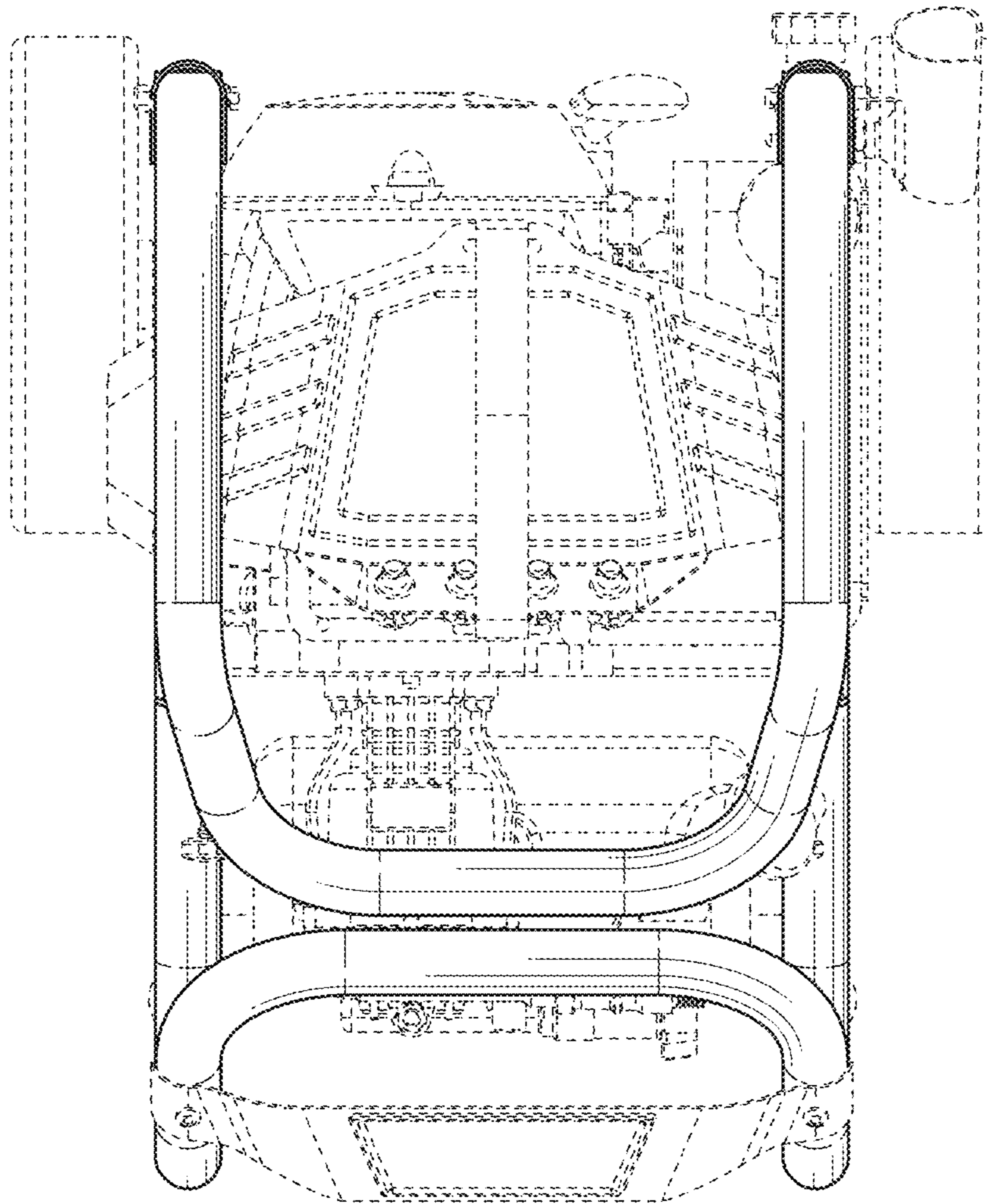


FIG. 13

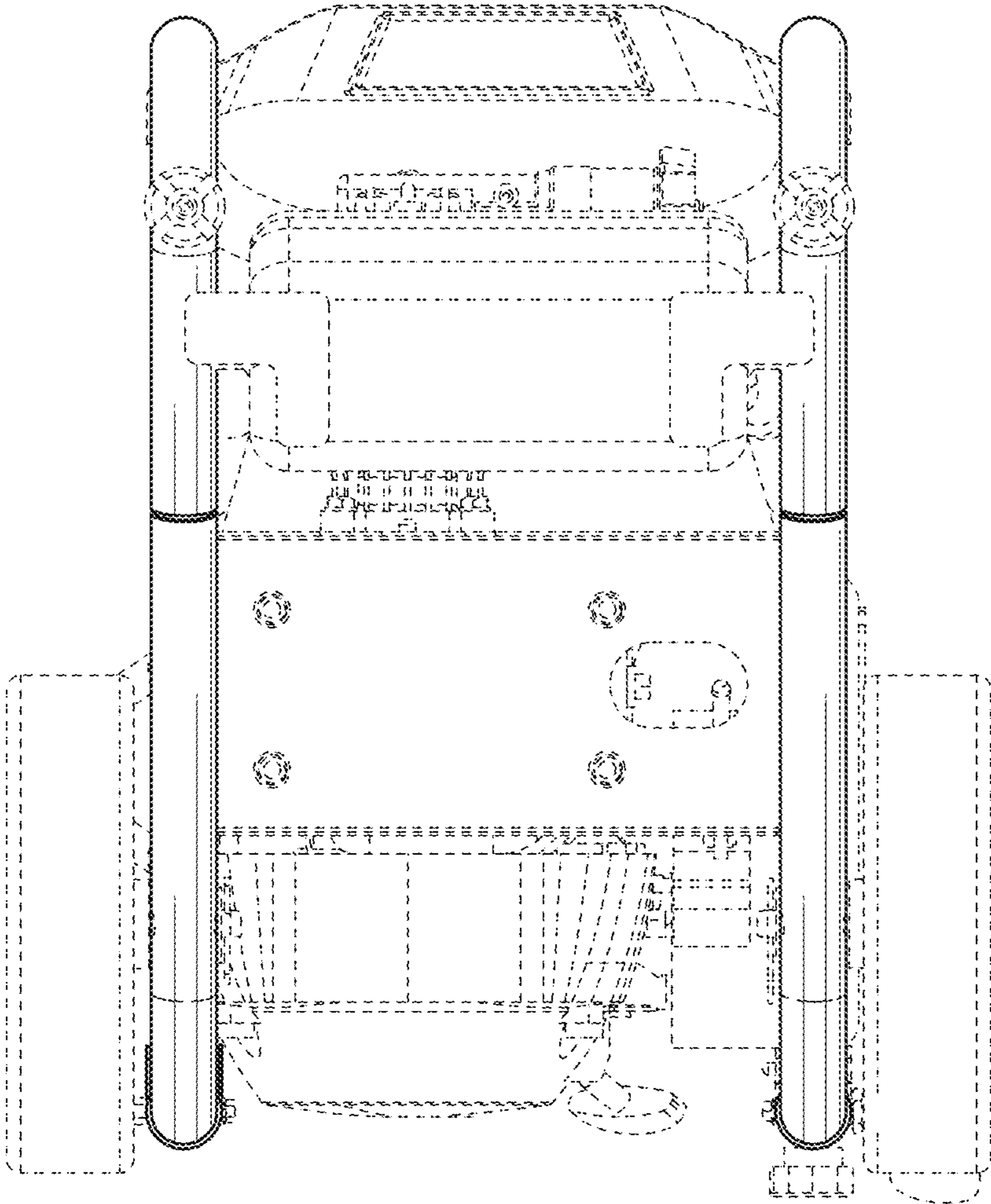


FIG. 14