



US00D927100S

(12) **United States Design Patent** (10) **Patent No.:** **US D927,100 S**
Abe et al. (45) **Date of Patent:** **** Aug. 3, 2021**

(54) **DRYER** D827,948 S * 9/2018 Miyawaki D32/1
D827,949 S * 9/2018 Miyawaki D32/1
(71) Applicant: **Iris Ohyama Inc.**, Sendai (JP) D827,950 S * 9/2018 Miyawaki D32/1
D881,489 S * 4/2020 Miyawaki D32/1
(72) Inventors: **Takuya Abe**, Kakuda (JP); **Masayuki Miyawaki**, Kakuda (JP) (Continued)

FOREIGN PATENT DOCUMENTS

(73) Assignee: **IRIS OHYAMA INC.**, Sendai (JP) JP 1540072 S 12/2015
JP 1594871 S 1/2018
(**) Term: **15 Years** JP 1618336 S 11/2018

OTHER PUBLICATIONS

(21) Appl. No.: **29/722,223**
(22) Filed: **Jan. 28, 2020**
(30) **Foreign Application Priority Data**
Aug. 21, 2019 (JP) 2019-018473
CN Design bulletin, (Apr. 9, 2019), No. CN305104994S, (Japan Patent Department, publicly known reference No. HH31001990).
(Continued)

Primary Examiner — Michelle E. Wilson
(74) *Attorney, Agent, or Firm* — Studebaker & Brackett PC

(51) **LOC (13) Cl.** **15-05**
(52) **U.S. Cl.**
USPC **D32/1**
(58) **Field of Classification Search**
USPC D32/1, 15, 6, 8; D28/12; D23/383;
D10/106.1; D15/144, 199
CPC A43D 3/1491; F26B 9/006; F26B 21/001;
D06F 59/06; D06F 58/14
See application file for complete search history.

(57) **CLAIM**

The ornamental design for a dryer, as shown and described.

DESCRIPTION

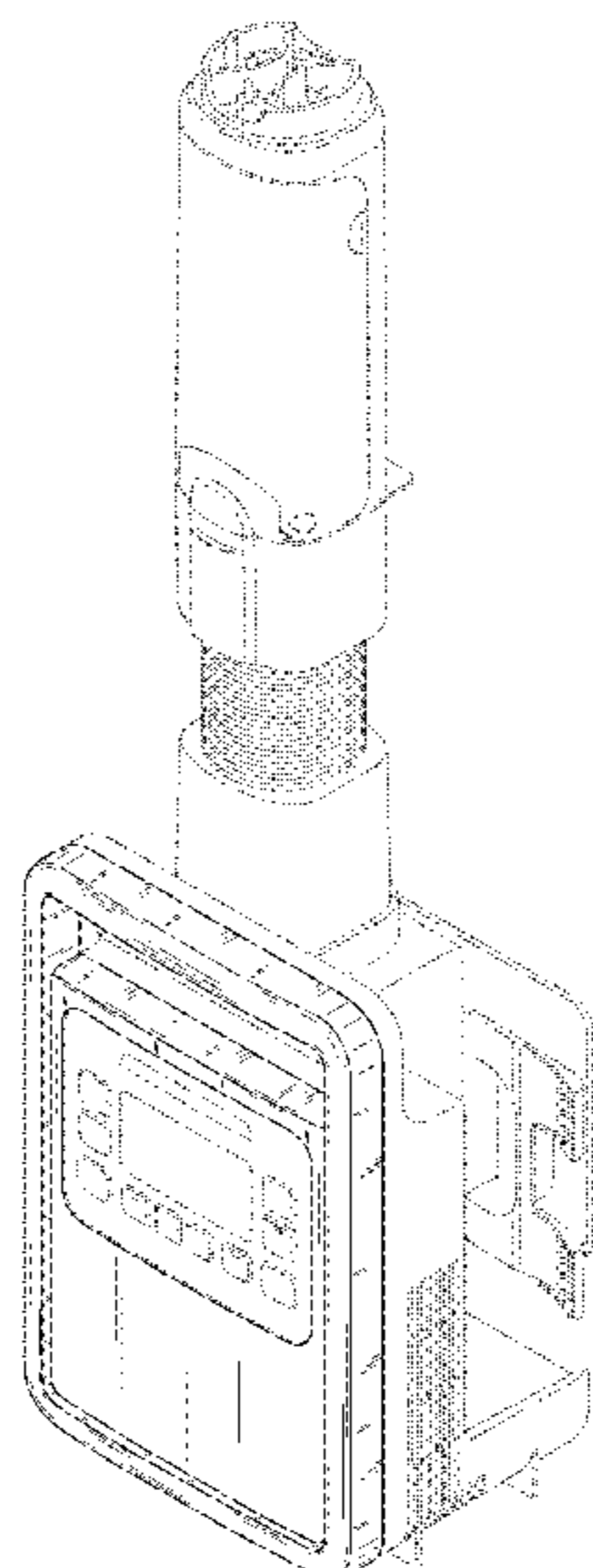
FIG. 1 is a front, top and right-side perspective view of a dryer showing our new design;
FIG. 2 is a front view thereof;
FIG. 3 is a rear view thereof;
FIG. 4 is a top view thereof;
FIG. 5 is a bottom view thereof;
FIG. 6 is a right-side view thereof;
FIG. 7 is a left-side view thereof;
FIG. 8 is a rear, top and left-side perspective view thereof;
and,
FIG. 9 is an in-use, front, top and right side perspective view thereof.
The broken lines shown depict portions of the dryer that form no part of the claimed design.

(56) **References Cited**

U.S. PATENT DOCUMENTS

D292,237 S * 10/1987 Rubin D28/12
D294,741 S * 3/1988 Froidevaux D28/12
D304,096 S * 10/1989 Nithardt D28/12
D312,892 S * 12/1990 Eberts D28/12
D314,070 S * 1/1991 Rubin D28/54.1
D314,839 S * 2/1991 Ho D28/12
D317,514 S * 6/1991 Sasso D28/12
D343,473 S * 1/1994 de Vasselot D28/12
D345,818 S * 4/1994 Froidevaux D28/12
D347,708 S * 6/1994 Wang D28/12
D353,018 S * 11/1994 Froidevaux D28/12
D383,276 S * 9/1997 Janney D32/58
D576,773 S * 9/2008 Beckett D32/58

1 Claim, 9 Drawing Sheets



(56)

References Cited

U.S. PATENT DOCUMENTS

D881,490 S * 4/2020 Miyawaki D32/1
D881,491 S * 4/2020 Miyawaki D32/1

OTHER PUBLICATIONS

An Office Action; "Notice of Allowance," by the Japanese Patent Office dated May 12, 2020, which corresponds to Japanese Design Application No. 2019-018473 and is related to U.S. Appl. No. 29/722,223; with English language concise explanation.

An Office Action by the Japanese Patent Office dated May 12, 2020, which corresponds to Japanese Design Application No. 2019-018473 and is related to U.S. Appl. No. 29/722,223; with English language concise explanation.

* cited by examiner

FIG. 1

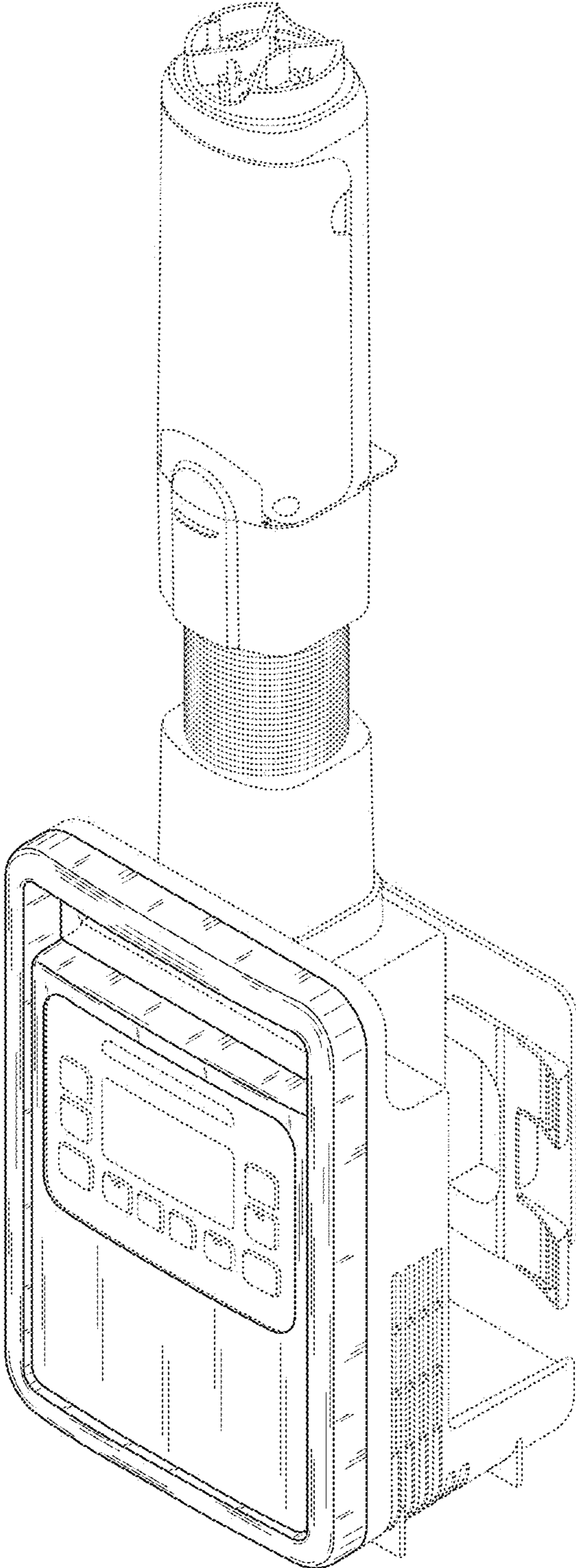


FIG.2

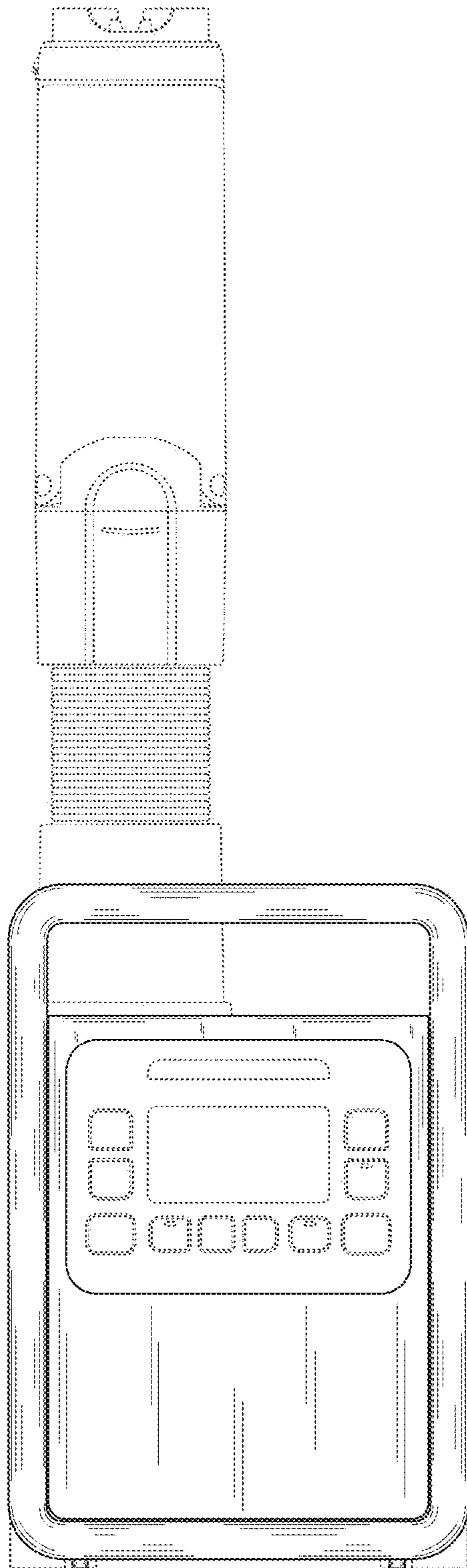


FIG. 3

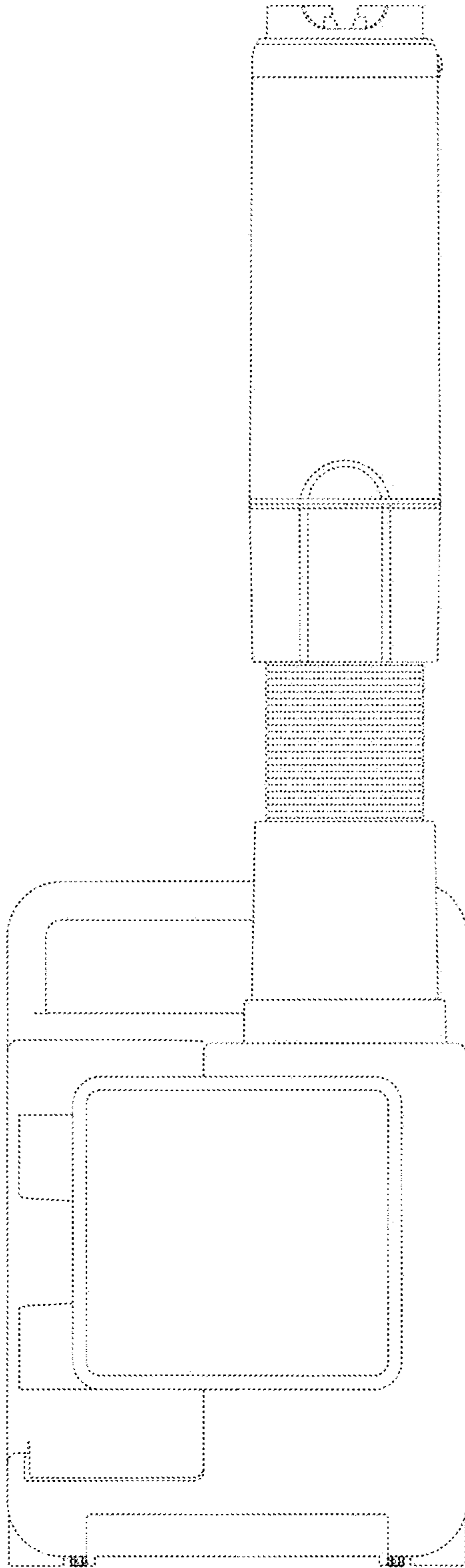


FIG.4

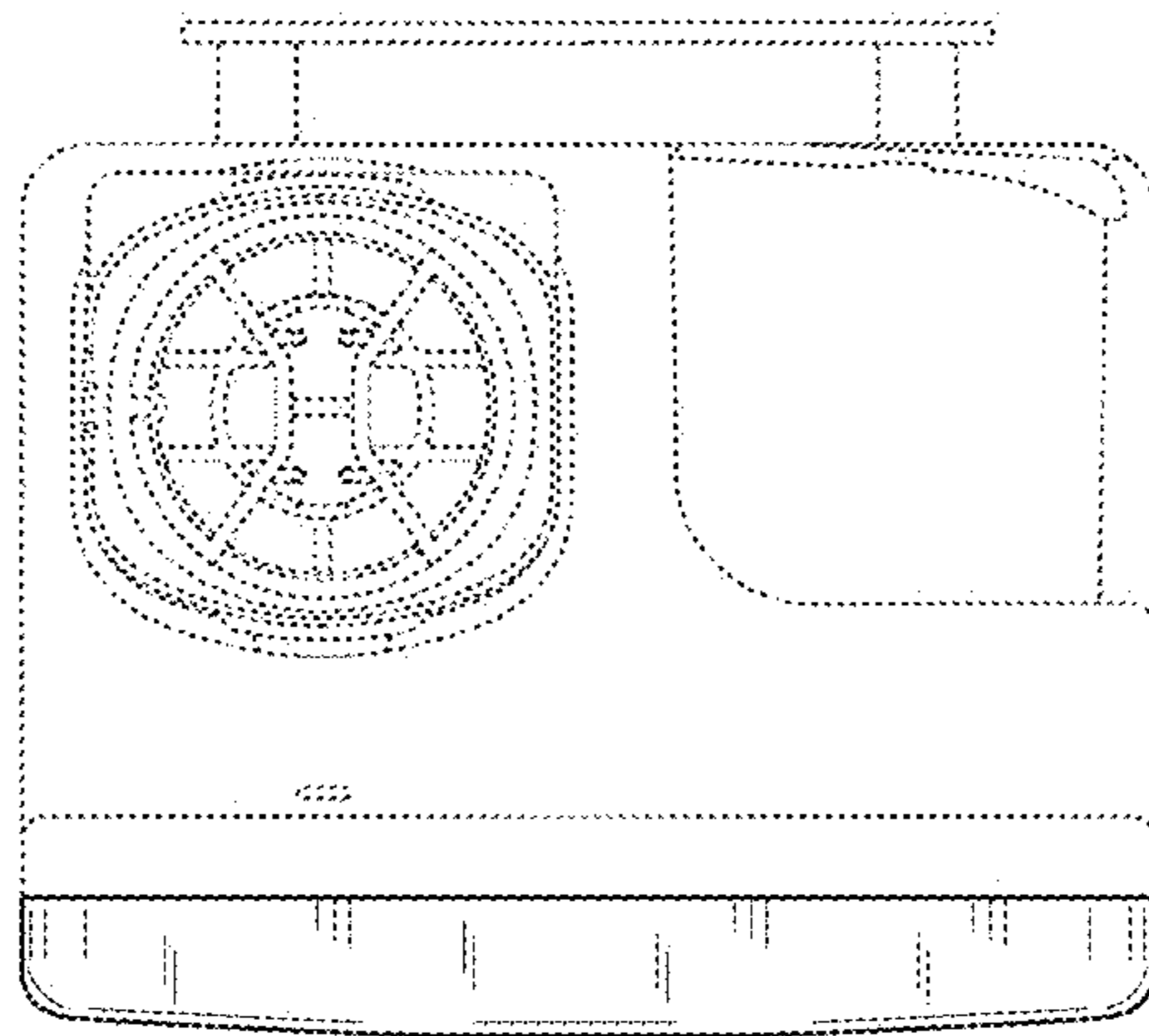


FIG.5

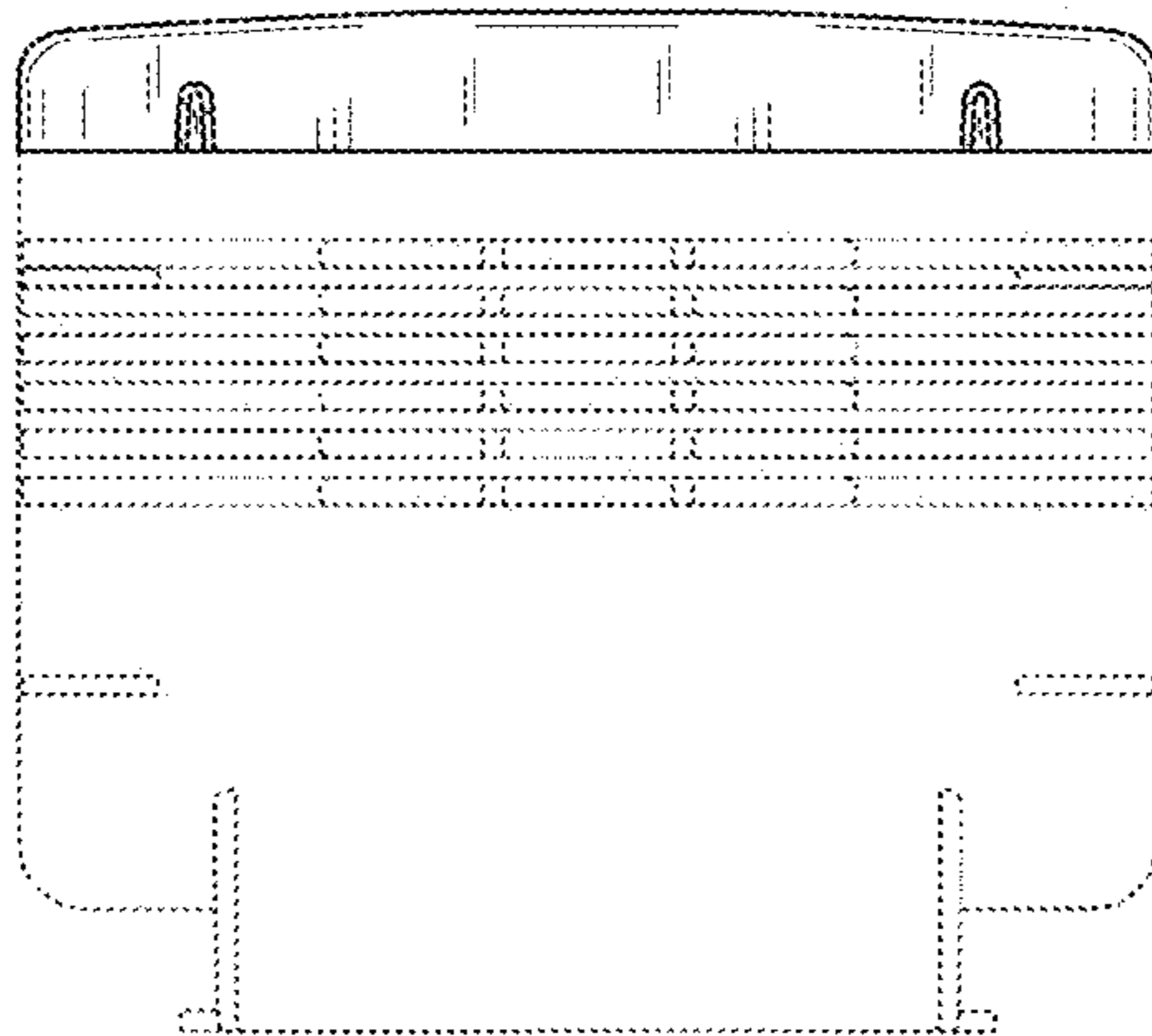


FIG.6

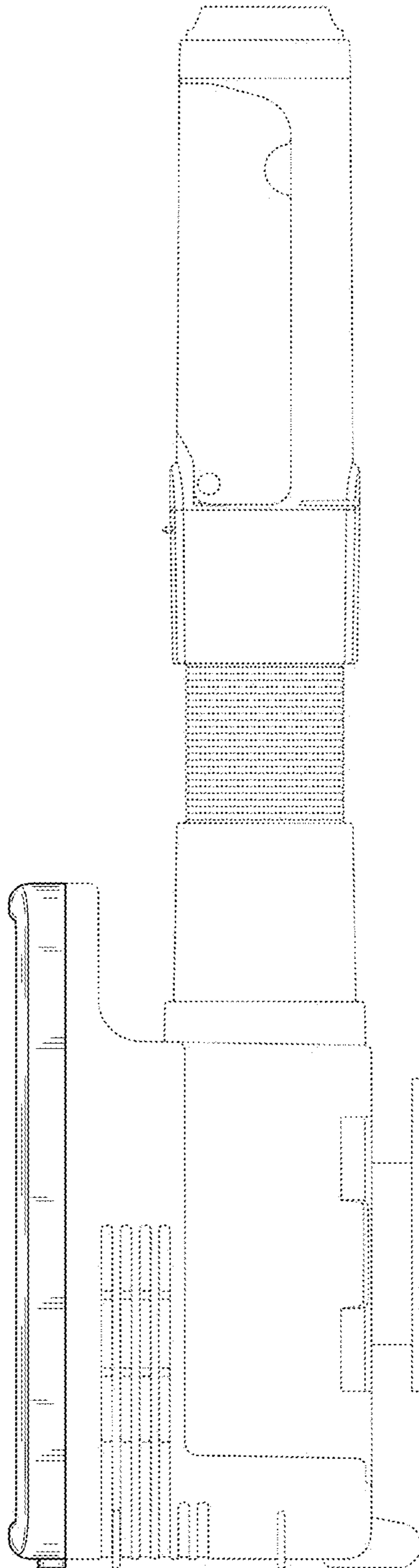


FIG.7

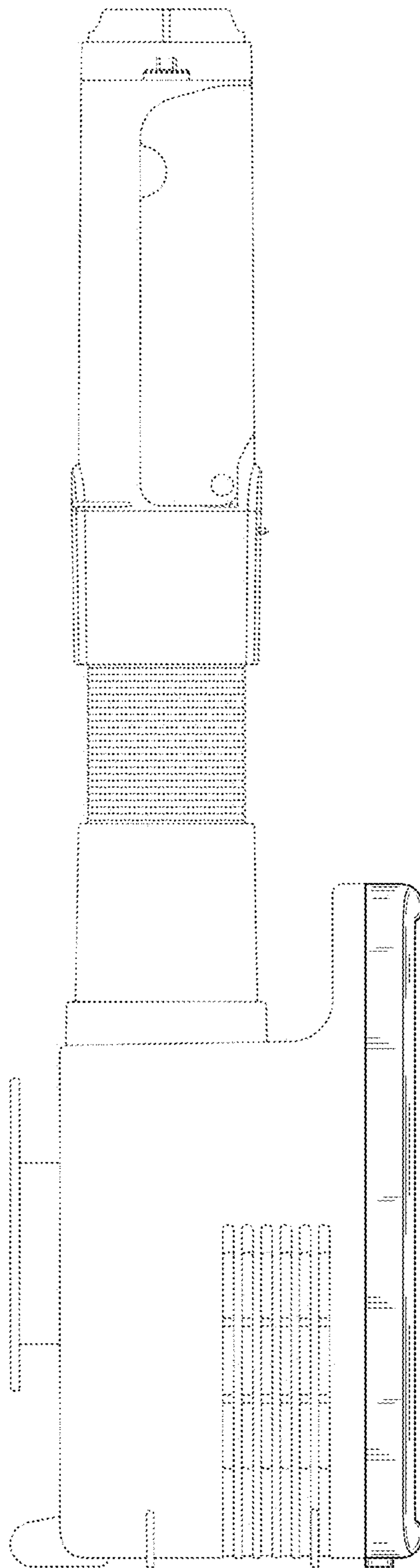


FIG.8

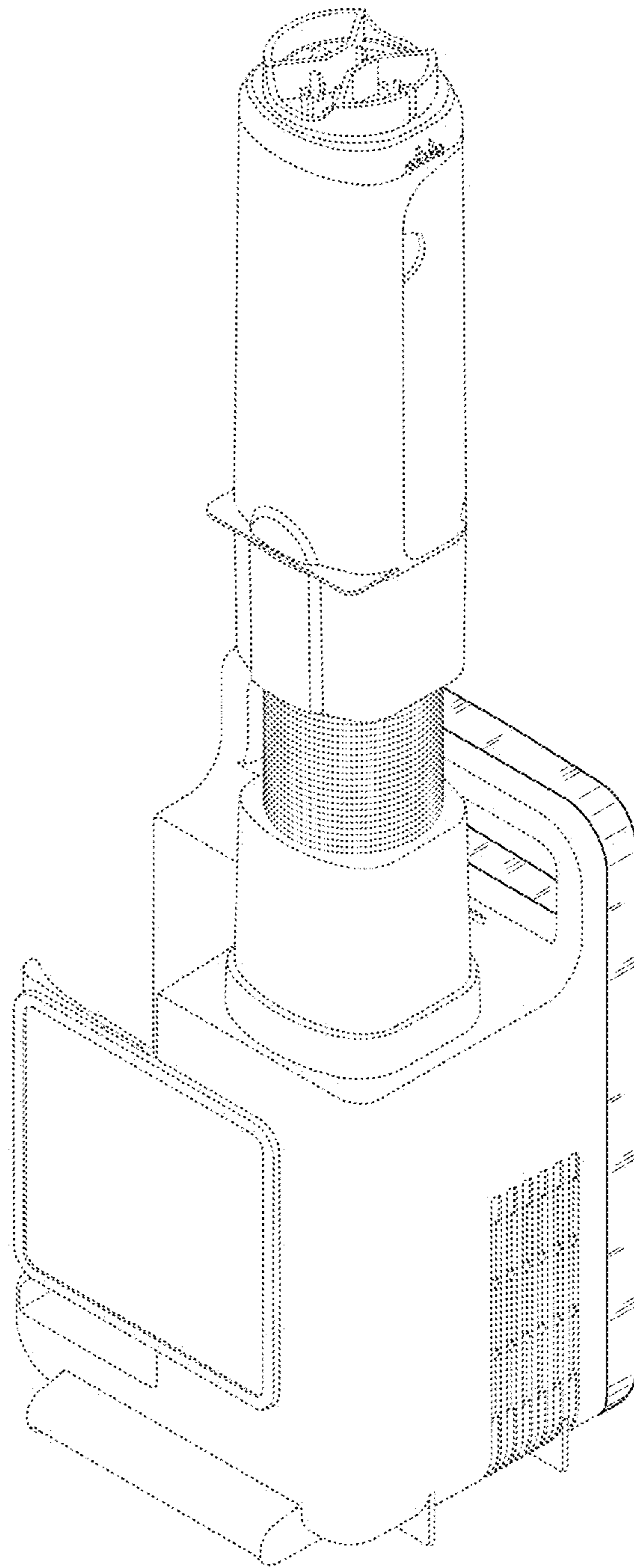


FIG. 9

