



US00D927099S

(12) **United States Design Patent** (10) **Patent No.:** **US D927,099 S**  
**Abe et al.** (45) **Date of Patent:** **\*\* Aug. 3, 2021**

(54) **DRYER**

D353,018 S \* 11/1994 Froidevaux ..... D28/12  
D383,276 S \* 9/1997 Janney ..... D32/58  
D576,773 S \* 9/2008 Beckett ..... D32/58

(71) Applicant: **Iris Ohyama Inc.**, Sendai (JP)

(Continued)

(72) Inventors: **Takuya Abe**, Kakuda (JP); **Masayuki Miyawaki**, Kakuda (JP); **Hideki Yamamoto**, Kakuda (JP)

FOREIGN PATENT DOCUMENTS

JP 1540072 S 12/2015  
JP 1618336 S 11/2018

(73) Assignee: **IRIS OHYAMA INC.**, Sendai (JP)

OTHER PUBLICATIONS

(\*\*) Term: **15 Years**

Mono Magazine No. 9, vol. 34; Apr. 16, 2015; p. 181; (Japan Patent Office Design Patent Department, publicly known reference No. HA27002052).

(21) Appl. No.: **29/722,216**

(Continued)

(22) Filed: **Jan. 28, 2020**

(30) **Foreign Application Priority Data**

*Primary Examiner* — Michelle E. Wilson

Aug. 21, 2019 (JP) ..... 2019-018472

(74) *Attorney, Agent, or Firm* — Studebaker & Brackett PC

(51) **LOC (13) Cl.** ..... **15-05**

(57) **CLAIM**

(52) **U.S. Cl.**

The ornamental design for a dryer, as shown and described.

USPC ..... **D32/1**

**DESCRIPTION**

(58) **Field of Classification Search**

USPC ..... D32/1, 15, 6, 8; D28/12; D23/383; D10/106.1; D15/144, 199

CPC ..... A43D 3/1491; F26B 9/006; F26B 21/001; D06F 59/06; D06F 58/14

See application file for complete search history.

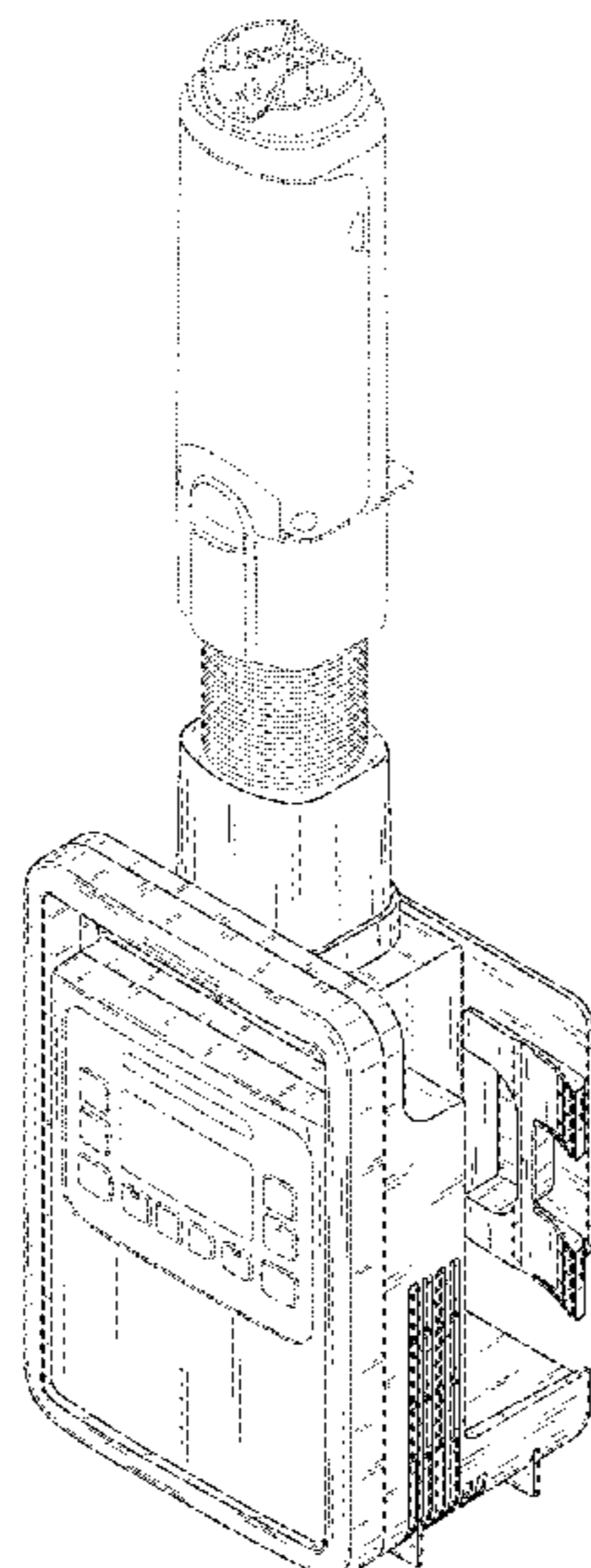
FIG. 1 is a front, top and right-side perspective view of a dryer showing our new design;  
FIG. 2 is a front view thereof;  
FIG. 3 is a rear view thereof;  
FIG. 4 is a top view thereof;  
FIG. 5 is a bottom view thereof;  
FIG. 6 is a right-side view thereof;  
FIG. 7 is a left-side view thereof;  
FIG. 8 is a rear, top and left-side perspective view thereof;  
FIG. 9 is an in-use, front, top and right-side perspective view thereof;  
FIG. 10 is an another front, top and right-side perspective view thereof; and,  
FIG. 11 is a rear, top and right-side perspective view thereof.  
The broken lines shown depict portions of the dryer that form no part of the claimed design.

(56) **References Cited**

U.S. PATENT DOCUMENTS

D292,237 S \* 10/1987 Rubin ..... D28/12  
D294,741 S \* 3/1988 Froidevaux ..... D28/12  
D304,096 S \* 10/1989 Nithardt ..... D28/12  
D312,892 S \* 12/1990 Eberts ..... D28/12  
D314,070 S \* 1/1991 Rubin ..... D28/54.1  
D314,839 S \* 2/1991 Ho ..... D28/12  
D317,514 S \* 6/1991 Sasso ..... D28/12  
D343,473 S \* 1/1994 de Vasselot ..... D28/12  
D345,818 S \* 4/1994 Froidevaux ..... D28/12  
D347,708 S \* 6/1994 Wang ..... D28/12

**1 Claim, 11 Drawing Sheets**



(56)

**References Cited**

U.S. PATENT DOCUMENTS

D827,948 S	*	9/2018	Miyawaki	.....	D32/1
D827,949 S	*	9/2018	Miyawaki	.....	D32/1
D827,950 S	*	9/2018	Miyawaki	.....	D32/1
D881,489 S	*	4/2020	Miyawaki	.....	D32/1
D881,490 S	*	4/2020	Miyawaki	.....	D32/1
D881,491 S	*	4/2020	Miyawaki	.....	D32/1

OTHER PUBLICATIONS

An Office Action issued by the Japanese Patent Office on May 12, 2020, which corresponds to Japanese Design Application No. 2019-018472 and is related to Design U.S. Appl. No. 29/722,216, with English language concise explanation.

\* cited by examiner

FIG. 1

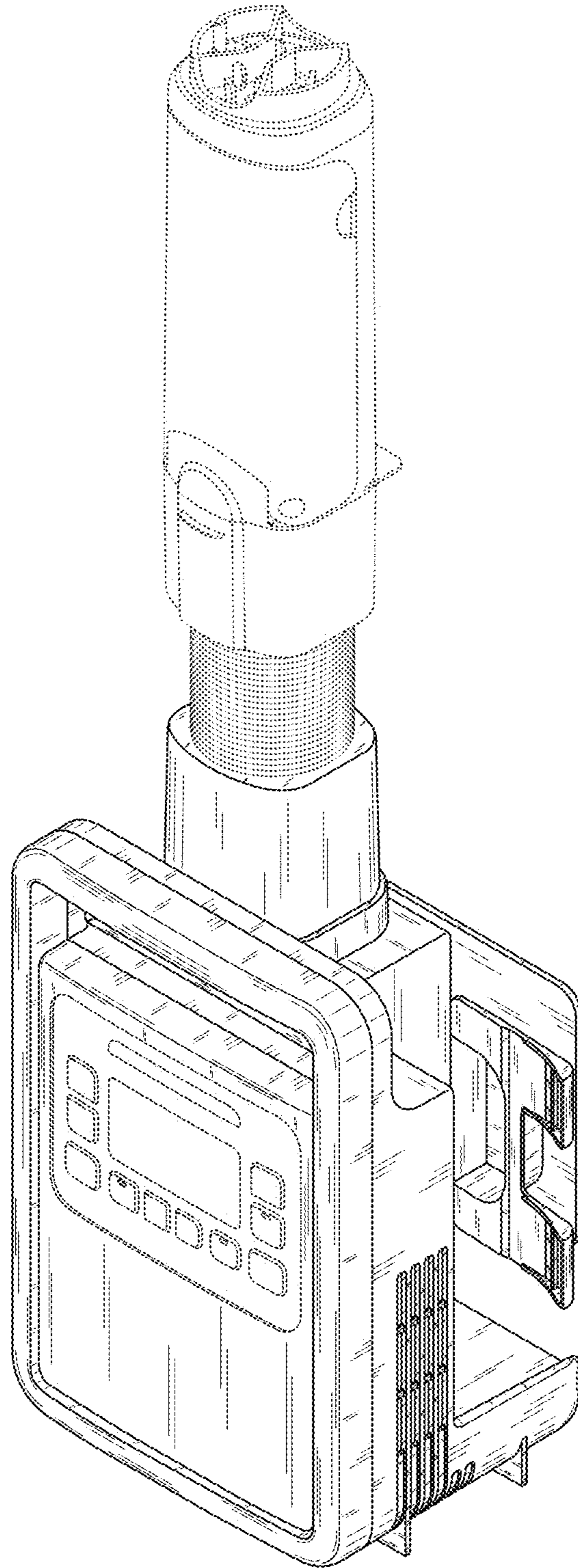


FIG.2

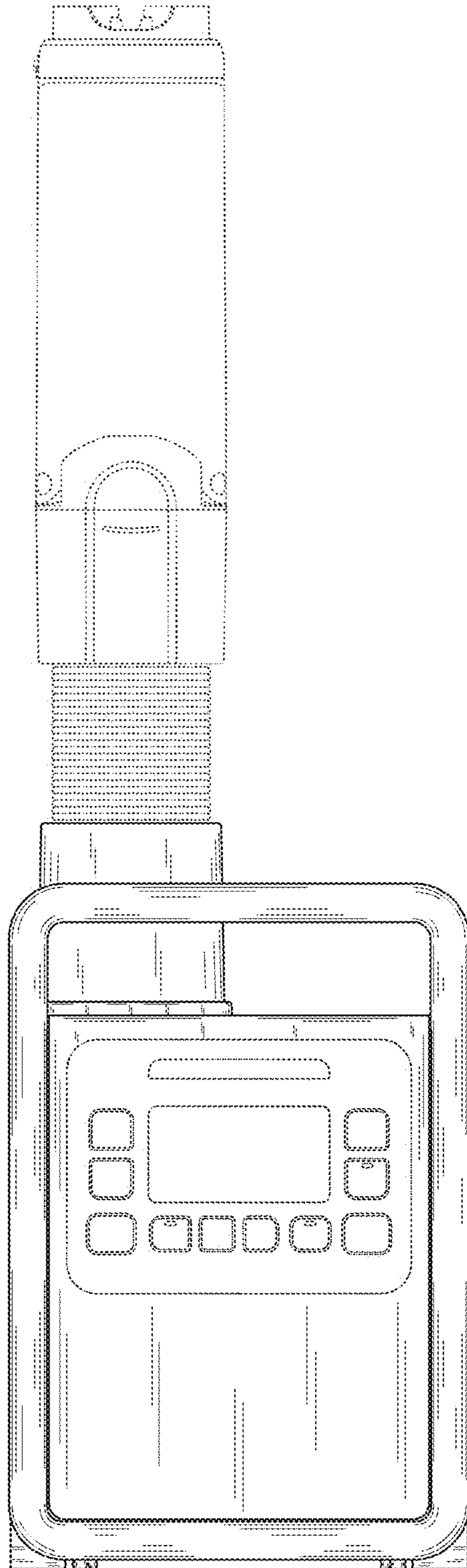




FIG. 3

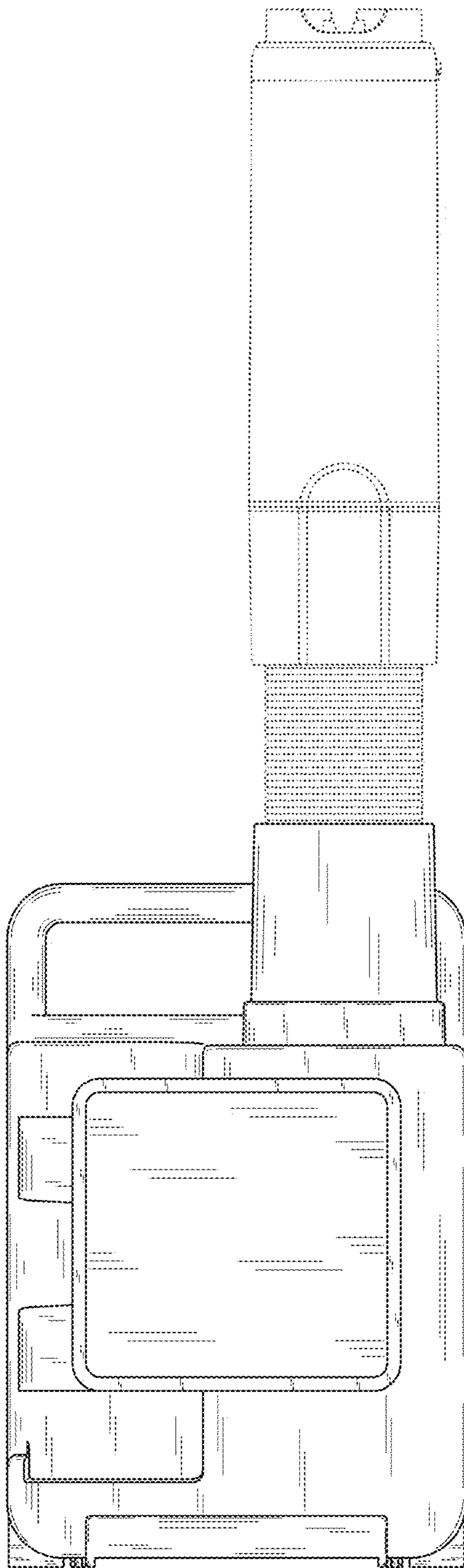


FIG.4

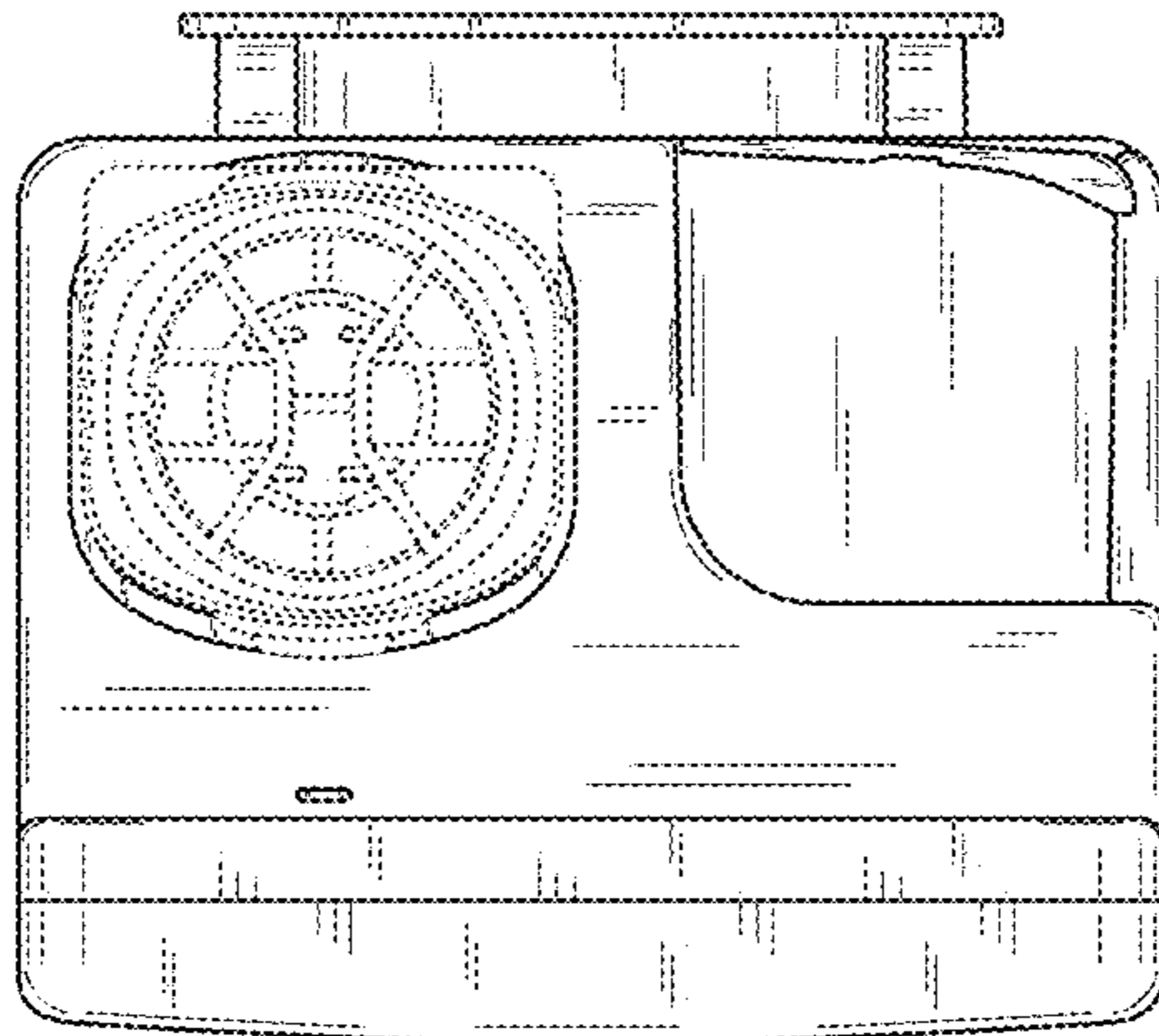


FIG.5

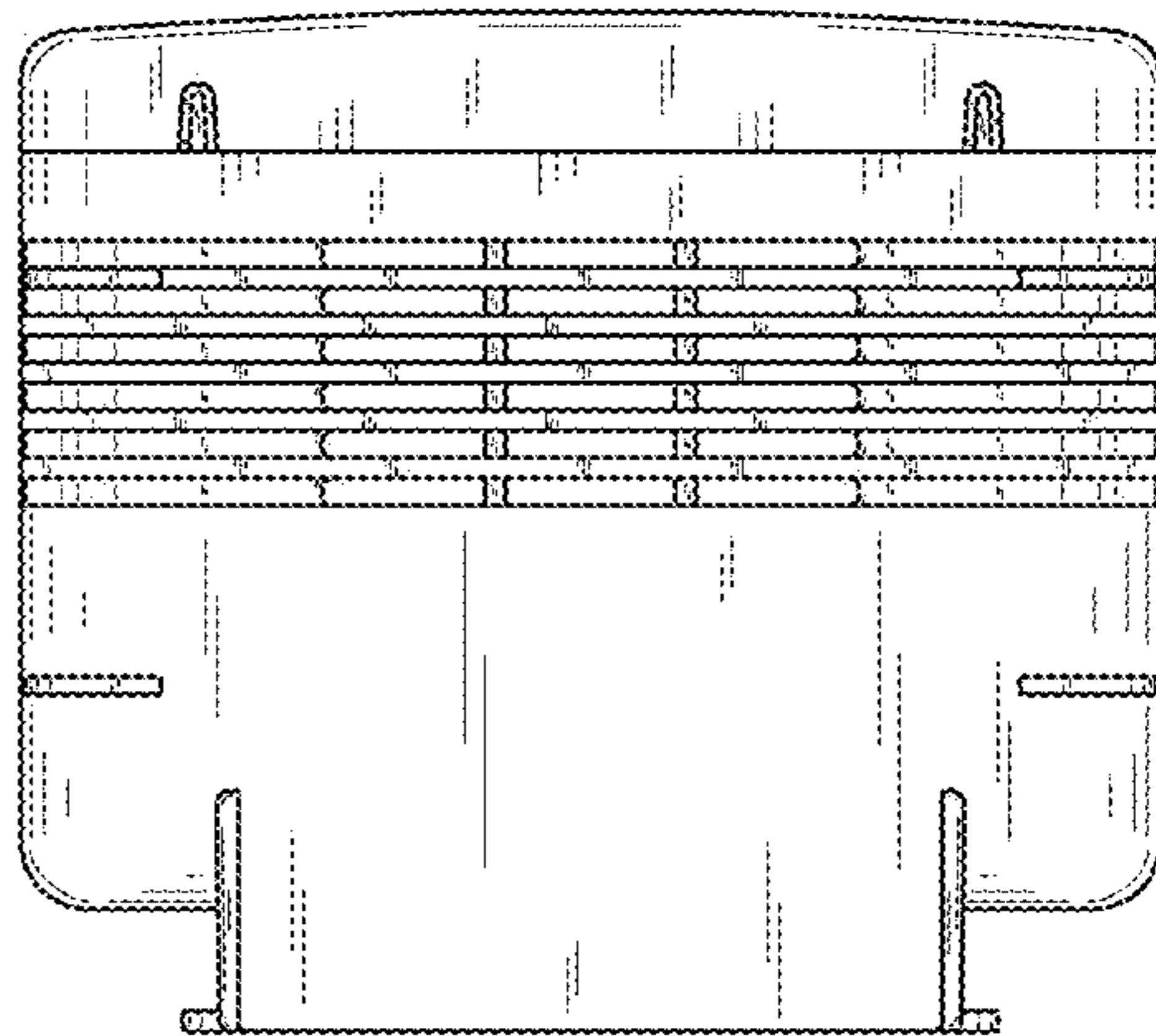


FIG.6

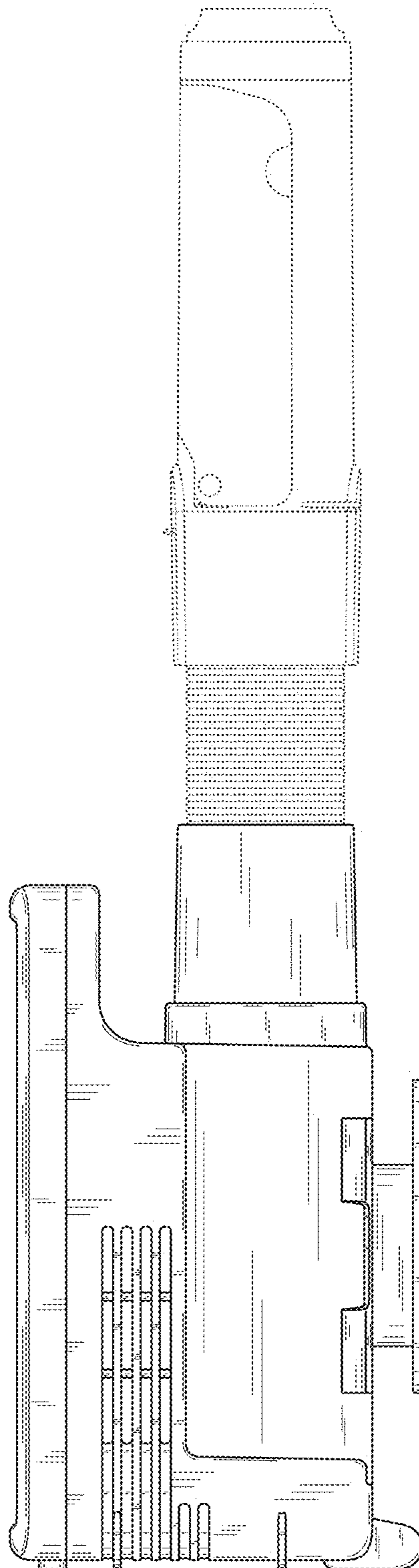




FIG. 7

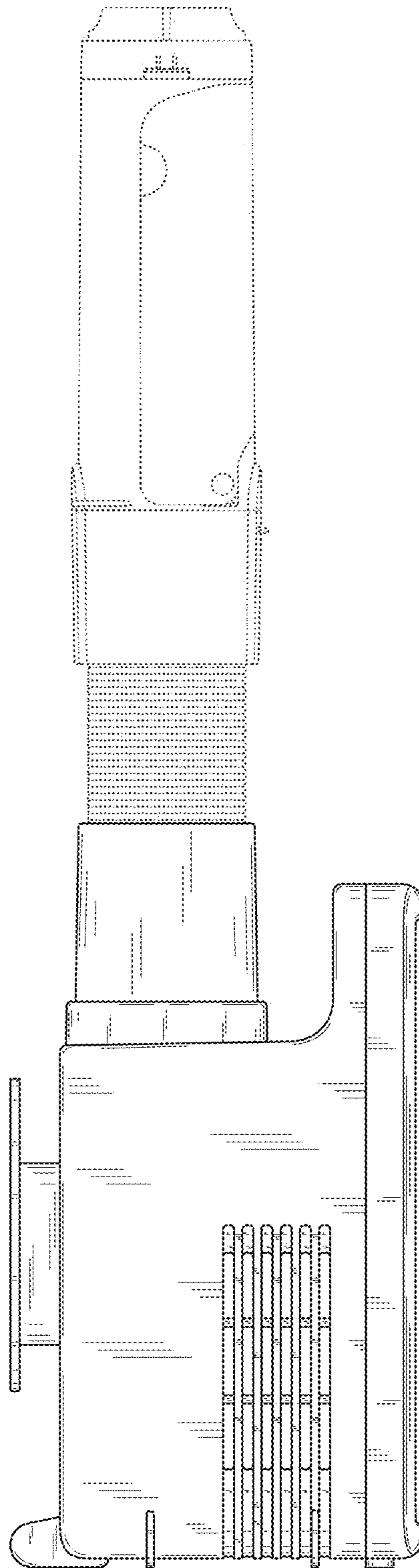


FIG.8

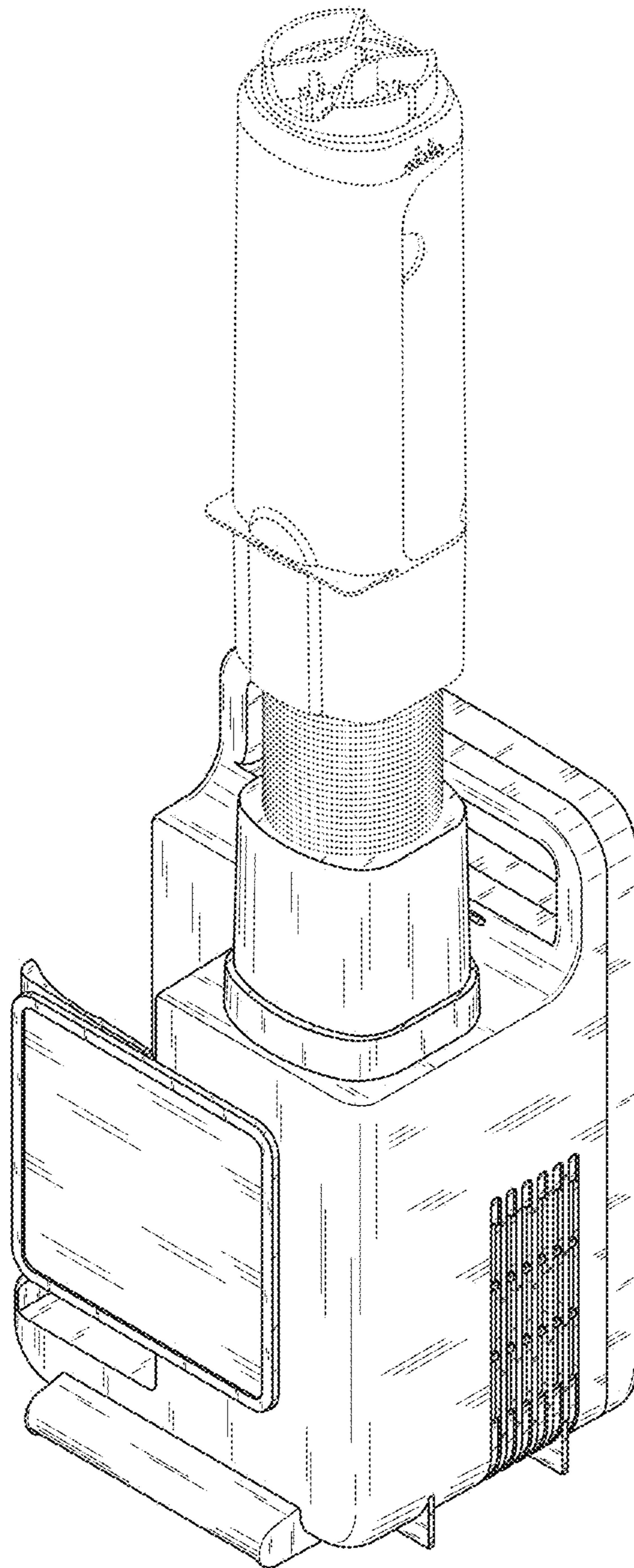


FIG.9

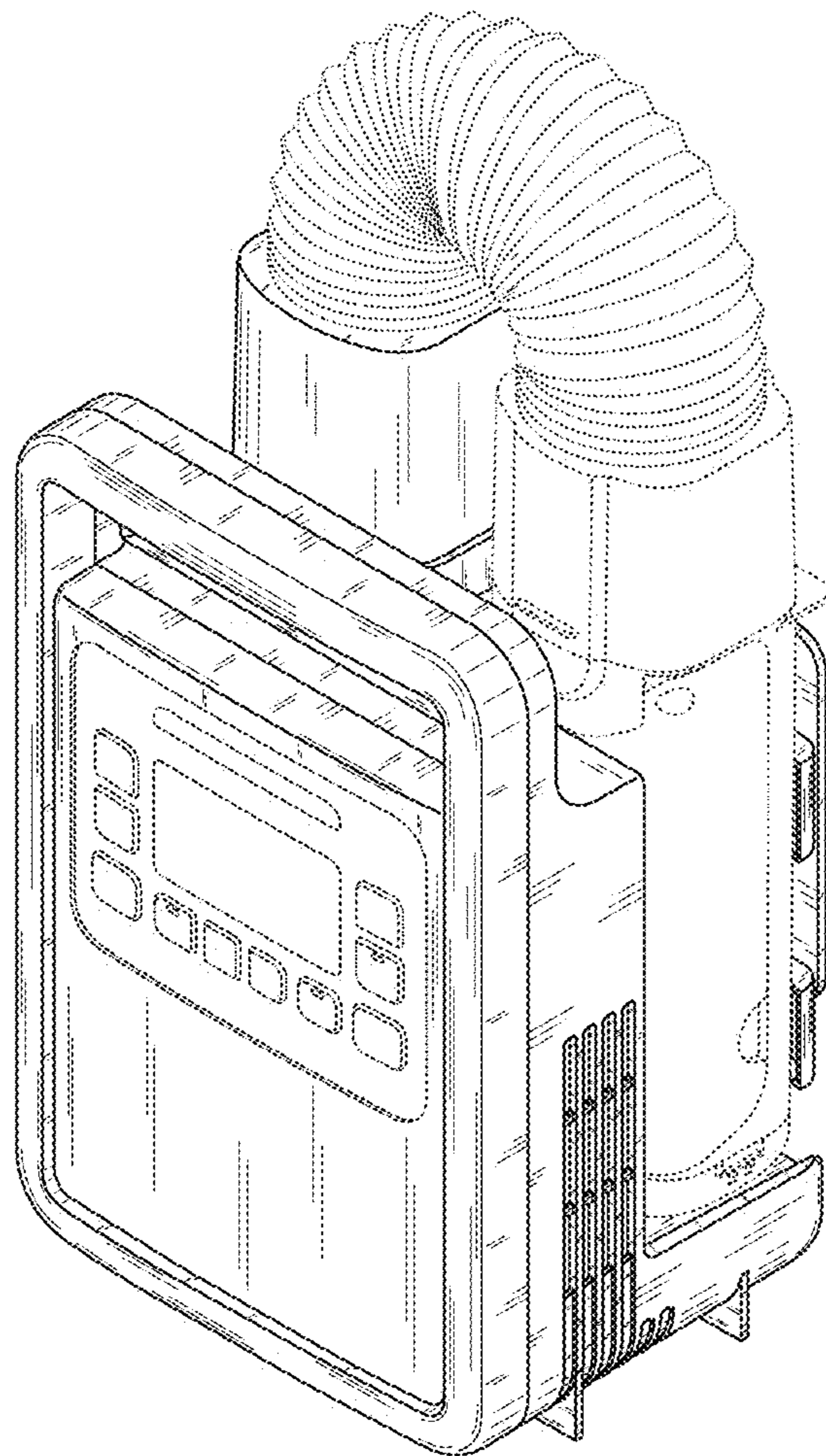


FIG. 10

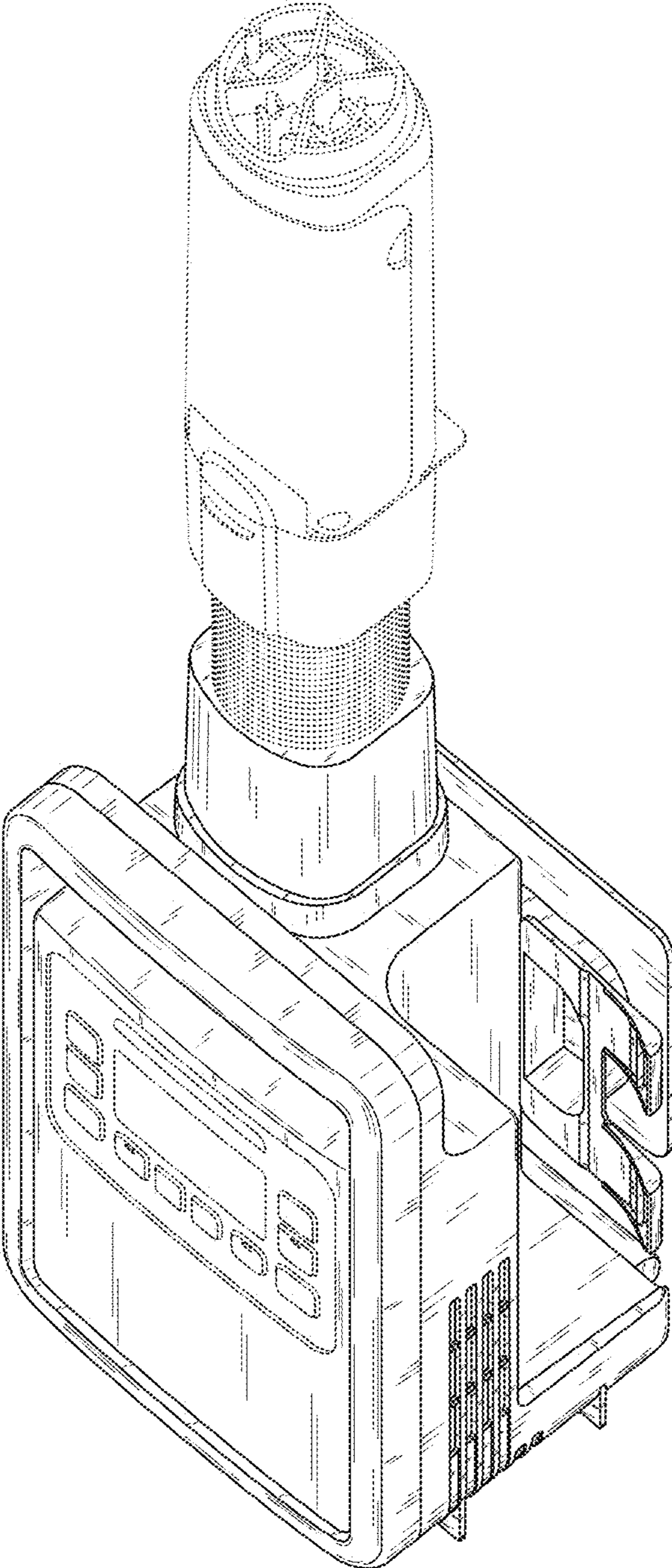




FIG. 11

