



US00D927098S

(12) **United States Design Patent** (10) **Patent No.:** **US D927,098 S**
Moon et al. (45) **Date of Patent:** **** Aug. 3, 2021**

(54) **CLOTHING CARE UNIT**
(71) Applicant: **Woongjin Coway Co., Ltd.**,
Choongcheongnam-do (KR)
(72) Inventors: **Eujean Moon**, Seoul (KR); **Ryang Jin Won**, Seoul (KR); **Seo Ree Han**, Seoul (KR); **Ahyun Koo**, Seoul (KR); **Jin Gyu Seo**, Seoul (KR)
(73) Assignee: **Woongjin Coway Co., Ltd.**,
Choongcheongnam-do (KR)

D622,406 S * 8/2010 Russell, II D24/217
D659,917 S * 5/2012 Jeon D32/10
D671,282 S * 11/2012 Jeon D32/10
D679,825 S * 4/2013 Elkerbout D24/217
D704,350 S * 5/2014 Lau D24/217
D729,941 S * 5/2015 Hu D24/217
9,198,990 B2 * 12/2015 Fletcher A61L 2/10
D759,910 S * 6/2016 Chung D32/6
D763,521 S * 8/2016 Yao D32/1
9,675,720 B2 * 6/2017 Romo A61L 2/24
D802,858 S * 11/2017 Cadamuro D32/2
D889,681 S * 7/2020 Maw D24/217

(Continued)

(**) Term: **15 Years**

FOREIGN PATENT DOCUMENTS

(21) Appl. No.: **29/700,160**

CN 302952021 * 10/2014

(22) Filed: **Jul. 31, 2019**

OTHER PUBLICATIONS

(30) **Foreign Application Priority Data**

Coway Launches Self-sterilization Air Cleaner, Koreabizwire article 2014, <http://koreabizwire.com/coway-launches-self-sterilization-air-cleaner/24248> site visited Mar. 26, 2021.*

Jan. 31, 2019 (KR) 30-2019-0004952

(51) **LOC (13) Cl.** **15-05**

Primary Examiner — John R Yeh

(52) **U.S. Cl.**
USPC **D32/1; D24/217**

(74) *Attorney, Agent, or Firm* — Millen, White, Zelano & Branigan, P.C.; William Nixon

(58) **Field of Classification Search**
USPC D32/1-2, 5-6, 8-10, 15-17, 28, 35-36, D32/53; D7/354; D24/217
CPC .. A61L 2/10; A61C 19/00; A47J 27/00; F26B 11/02; E05B 65/0007; A47L 15/0084; D06F 39/00; D06F 34/28
See application file for complete search history.

(57) **CLAIM**

The ornamental design for a clothing care unit, as shown and described.

(56) **References Cited**

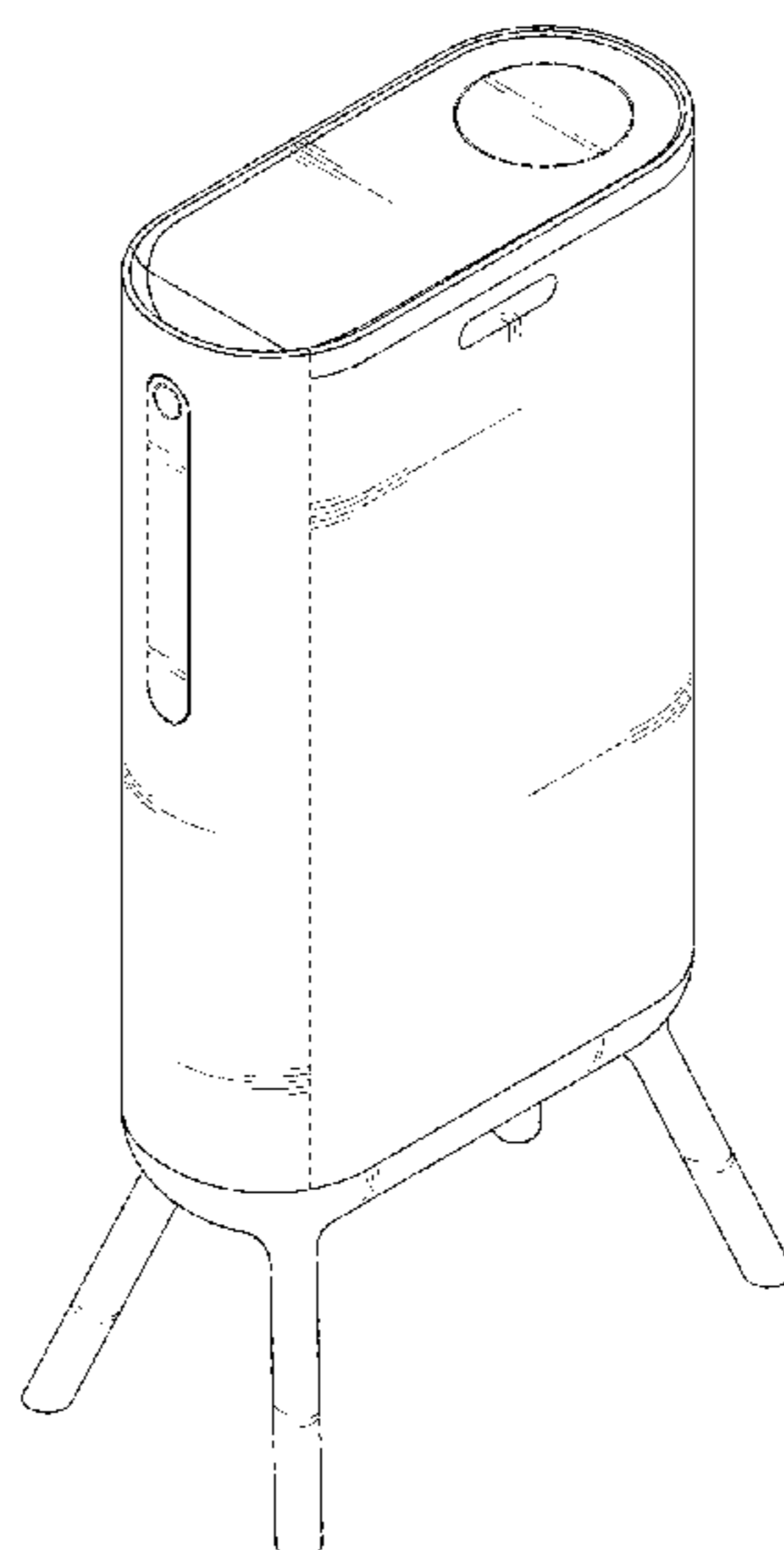
DESCRIPTION

U.S. PATENT DOCUMENTS

FIG. 1 is a front, perspective of the clothing care unit showing our new design;
FIG. 2 is a front elevation view thereof;
FIG. 3 is a rear elevation view thereof;
FIG. 4 is a left side elevation view thereof;
FIG. 5 is a right side elevation view thereof;
FIG. 6 is a top plan view thereof; and,
FIG. 7 is a bottom plan view thereof.

D315,039 S * 2/1991 Wortham D32/1
D319,309 S * 8/1991 Taylor D24/217
D319,875 S * 9/1991 Lackey D24/217
6,283,015 B1 * 9/2001 Kwon A47J 27/09
99/337
D584,417 S * 1/2009 Massee D24/217
D616,563 S * 5/2010 Huck D24/217

1 Claim, 7 Drawing Sheets



(56)

References Cited

U.S. PATENT DOCUMENTS

D895,912	S *	9/2020	Kim	D32/10
D898,218	S *	10/2020	Hickey	D24/217
D908,988	S *	1/2021	Kim	D32/10
D912,338	S *	3/2021	Kim	D32/10
2007/0274879	A1 *	11/2007	Millikin	A61L 2/10 422/186.3
2008/0044326	A1 *	2/2008	Shin	A61L 2/10 422/300
2012/0107184	A1 *	5/2012	Asiyanbola	A61L 2/18 422/119
2013/0011537	A1 *	1/2013	Vahid	A47J 27/13 426/523

* cited by examiner

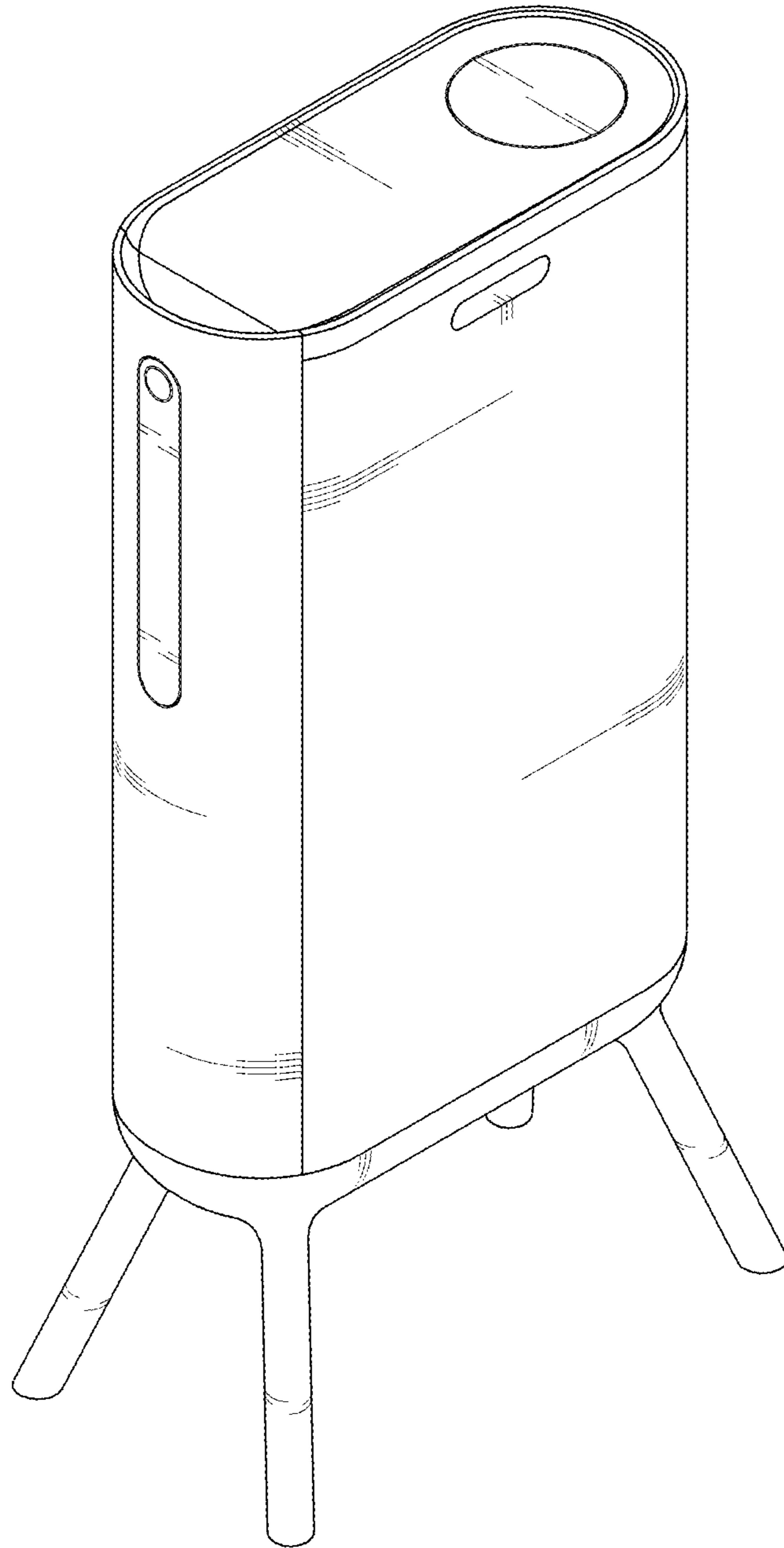


FIG. 1

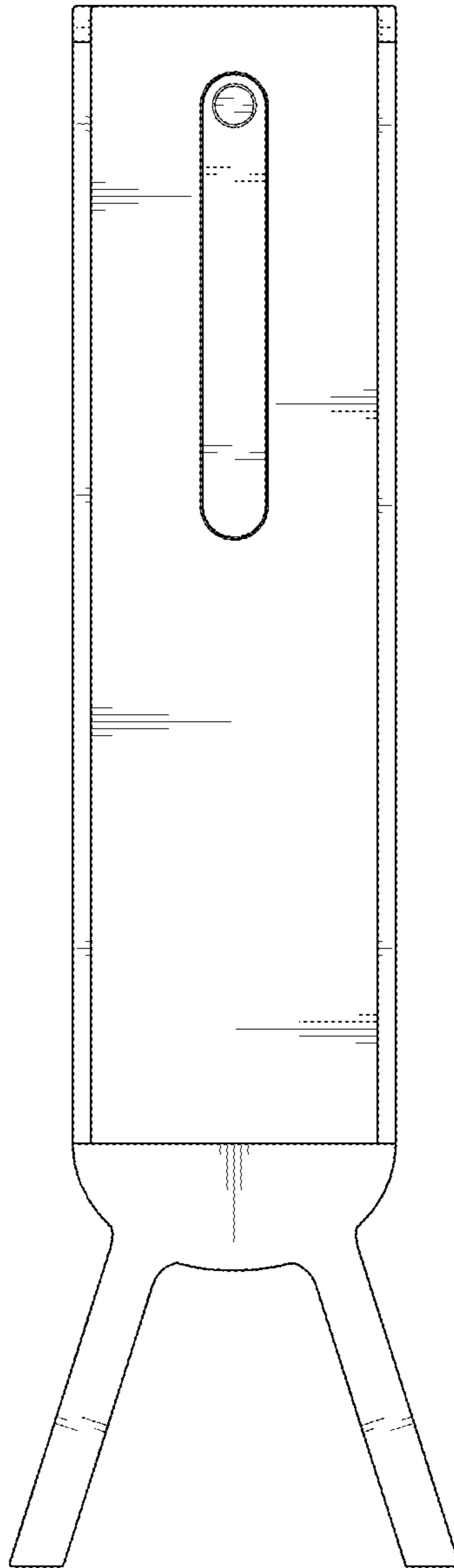


FIG. 2

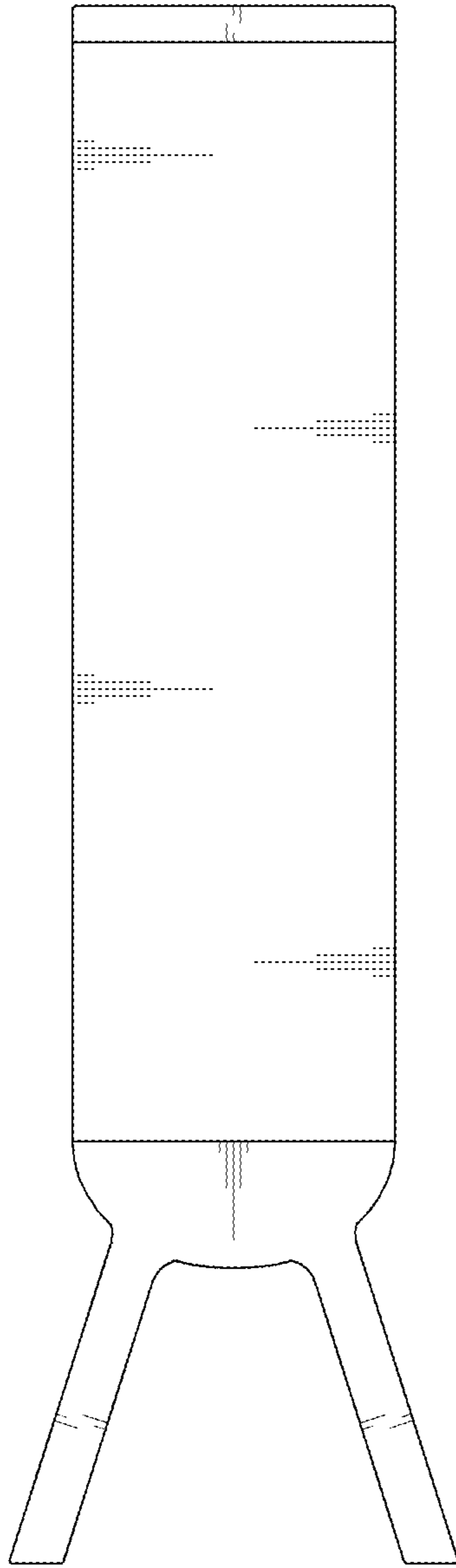


FIG. 3

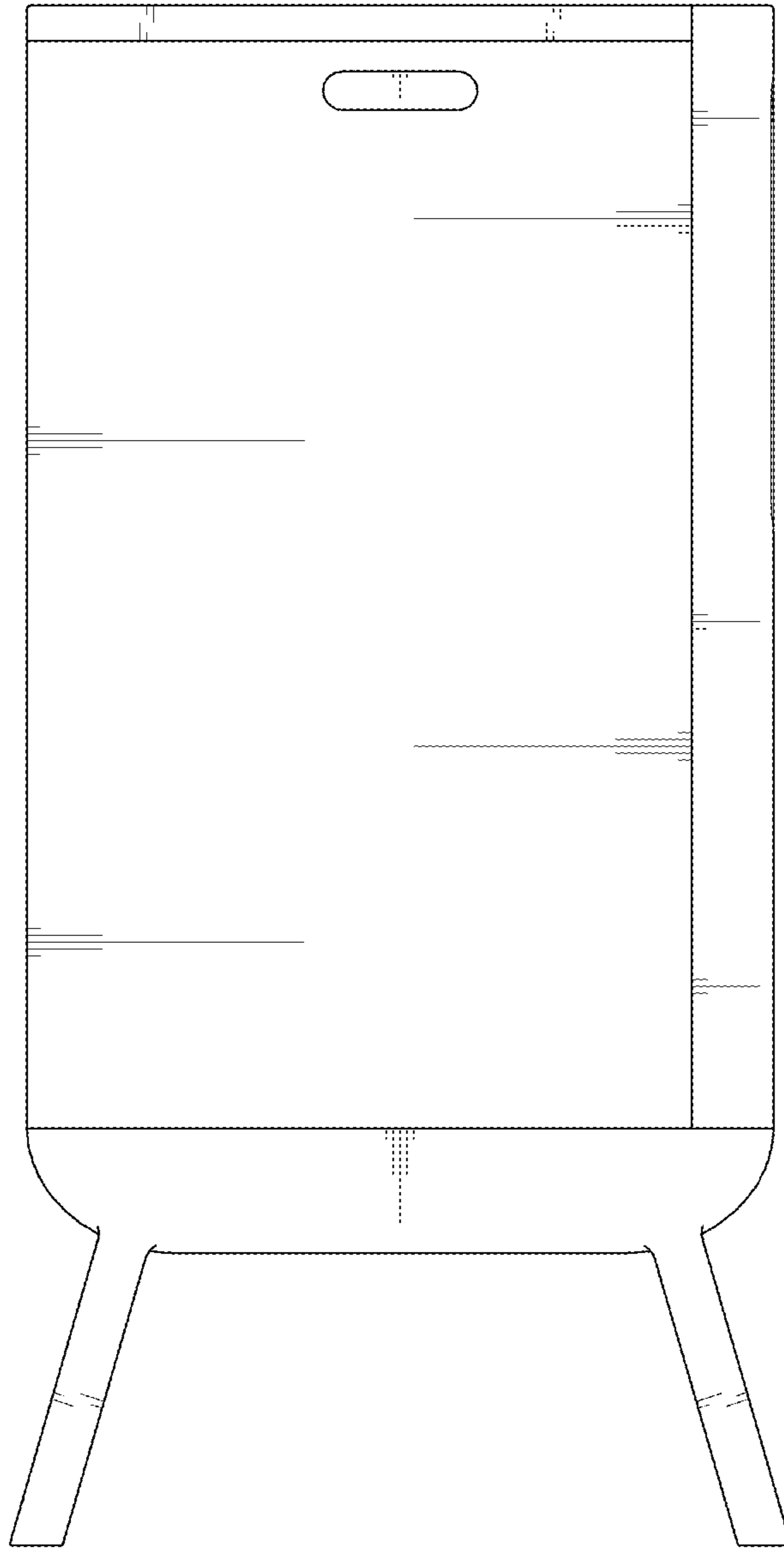


FIG. 4

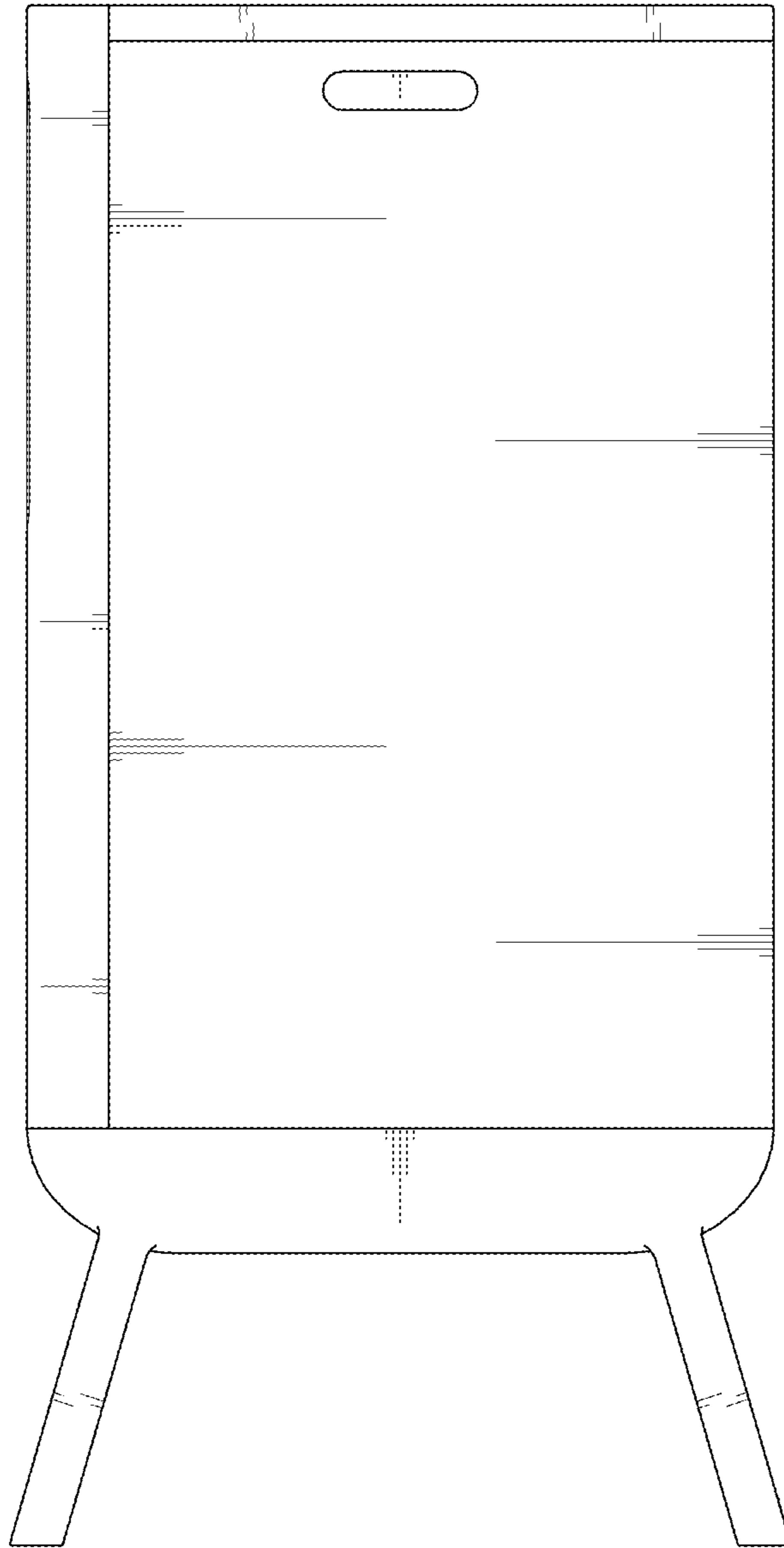


FIG. 5

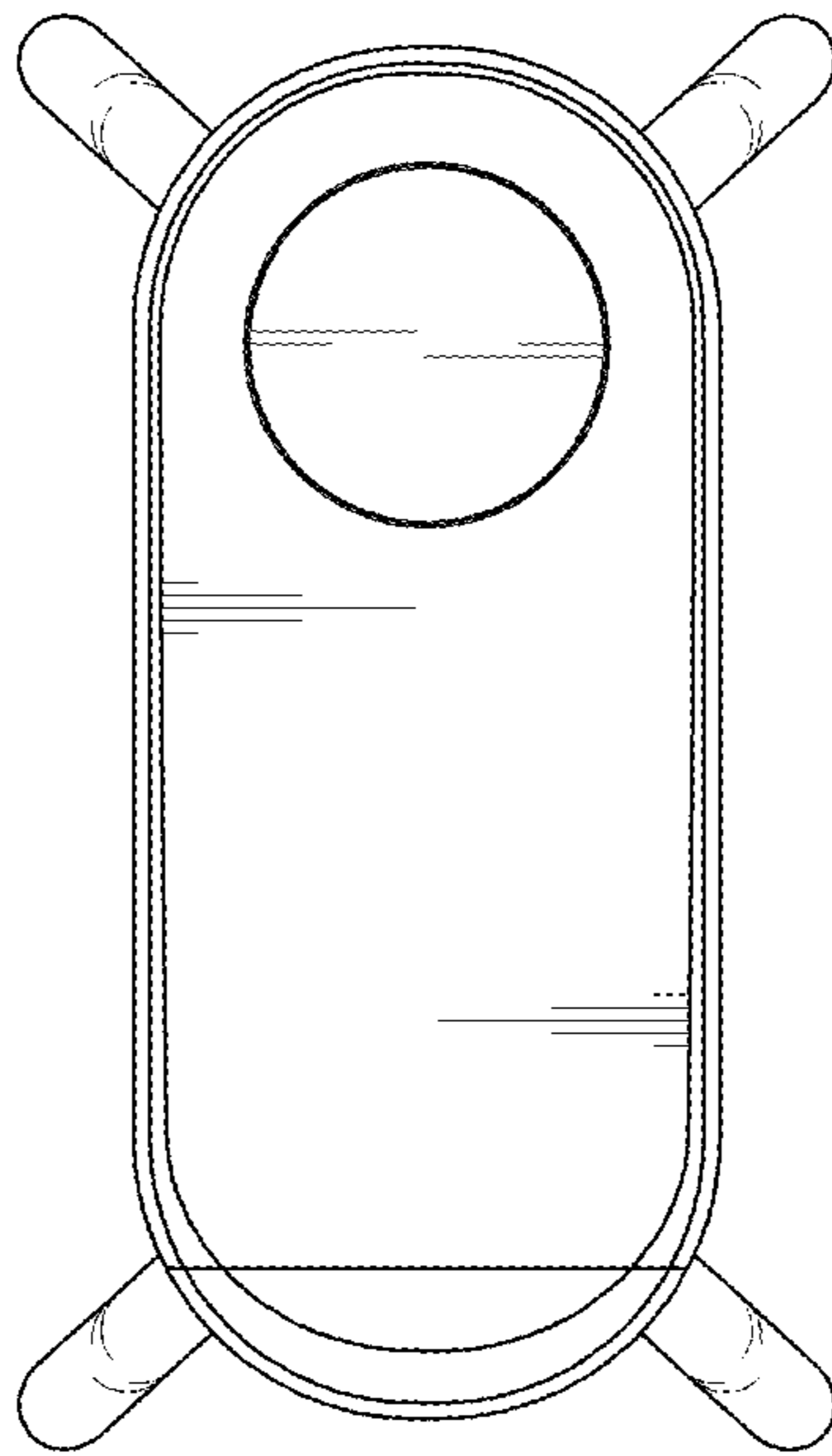


FIG. 6

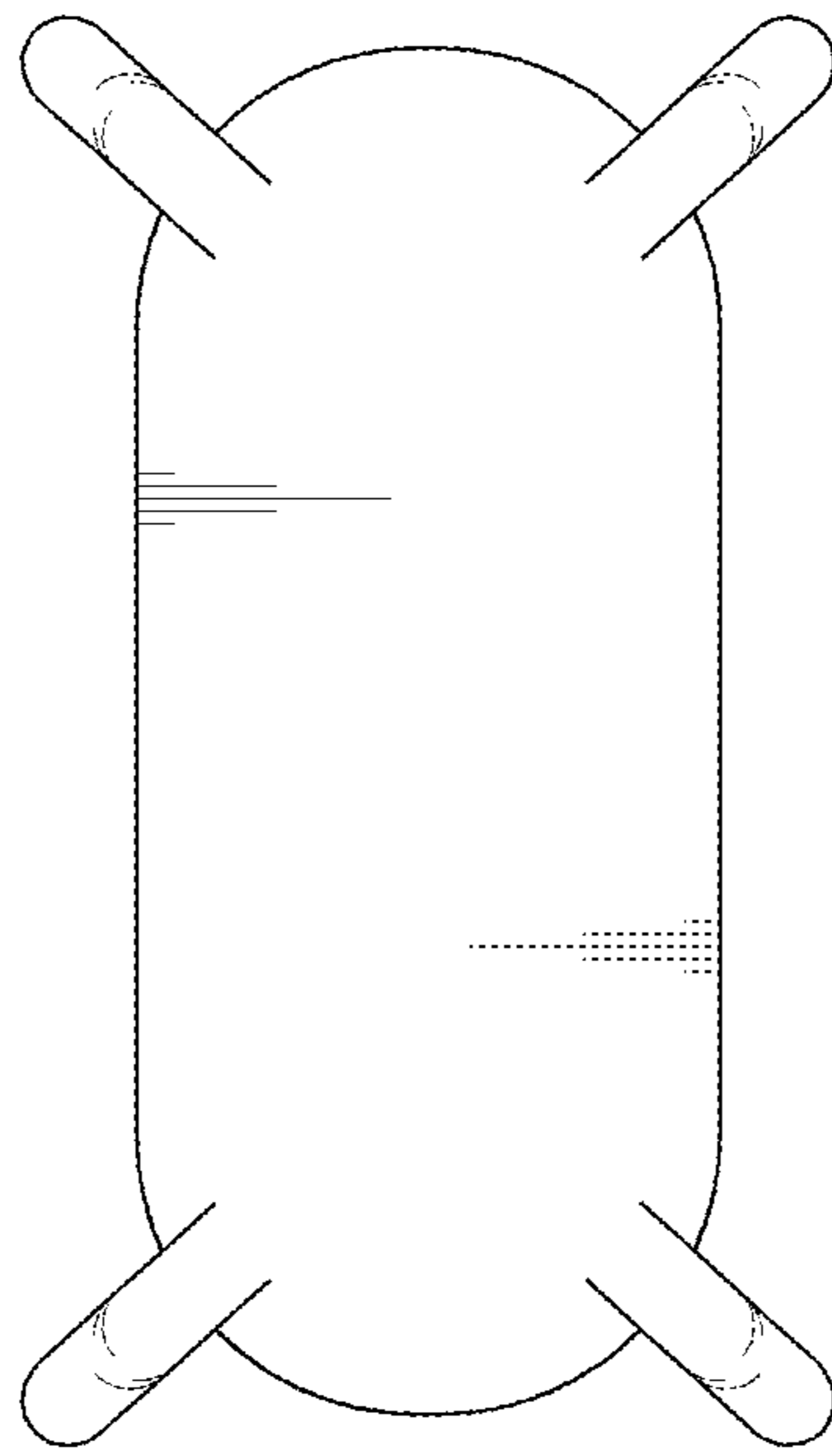


FIG. 7