



US00D927095S

(12) **United States Design Patent** (10) **Patent No.:** **US D927,095 S**
Lu (45) **Date of Patent:** **** Aug. 3, 2021**

(54) **PET LEASH**

(71) Applicant: **Yingqun Lu**, Jiangxi (CN)

(72) Inventor: **Yingqun Lu**, Jiangxi (CN)

(**) Term: **15 Years**

(21) Appl. No.: **29/685,564**

(22) Filed: **Mar. 29, 2019**

(51) **LOC (13) Cl.** **30-04**

(52) **U.S. Cl.**
USPC **D30/153**

(58) **Field of Classification Search**

USPC D30/102, 108, 113, 114, 118, 119, 120,
D30/144–154, 199; D3/215, 216, 221,
D3/226, 231, 233, 327, 218; D29/101.1,
D29/101.3, 101.5, 103, 104, 109, 122;
D24/190–192, 199, 186, 189; D2/627,
D2/896, 897, 902, 909, 919, 943, 980,
D2/718, 719, 860, 864, 723, 961;
D6/675, 567, 572, 515, 518; D9/650,
D9/430, 432; D10/30, 40, 70, 50, 52, 60,
D10/61, 104.1, 104.2; D11/79, 86, 201;
D14/344, 242, 203.1, 203.3, 203.5;
D21/387; D23/366, 368, 364; D25/152,
D25/153, 157; D20/11, 27, 19, 24, 30
CPC A01K 1/00; A01K 1/02; A01K 1/0088;
A01K 13/007; A01K 13/006; A01K
13/00; A01K 27/00; A01K 27/001; A01K
27/002; A01K 27/003; A01K 27/004;
A01K 27/005; A01K 27/006; A01K
27/008; A01K 27/009; A01K 25/00;
A01K 15/04; A01K 15/021; A01K
15/022; A01K 11/006; A01K 11/008;
A01K 23/00; A01K 29/00; A41B 13/06;
A61F 11/12; A61D 9/00; B68B 1/02;
B68B 1/01; E06B 9/02; E06B 9/0623;
E06B 9/0638; A01L 3/02; A01L 5/00;
A01L 1/02

See application file for complete search history.

(56) **References Cited**

U.S. PATENT DOCUMENTS

D245,582 S * 8/1977 Mox D10/40
D288,003 S * 1/1987 Hoyt D23/366
D289,862 S * 5/1987 Reigies D10/94
D289,920 S * 5/1987 O'Neil, Jr. D23/366
D349,157 S * 7/1994 Rymer D23/362
D364,919 S * 12/1995 Adams D23/366
D373,626 S * 9/1996 Dente D23/366
D375,350 S * 11/1996 Patel D23/366

(Continued)

FOREIGN PATENT DOCUMENTS

EM 006355087-0001 * 4/2019

OTHER PUBLICATIONS

Kosoku Retractable Dog Leash With Built-In Bag Holder, published Aug. 17, 2016 [online], [retrieved Feb. 25, 2021], Available from Internet, URL: <https://web.archive.org/web/20160817014332/http://www.thegreenhead.com/2011/12/kosoku-retractable-dog-leash-with-built-in-bag-holder.php>.*

Primary Examiner — Dana K Weiland
Assistant Examiner — Mary Claire Ramirez
(74) *Attorney, Agent, or Firm* — ScienBiziP, P.C.

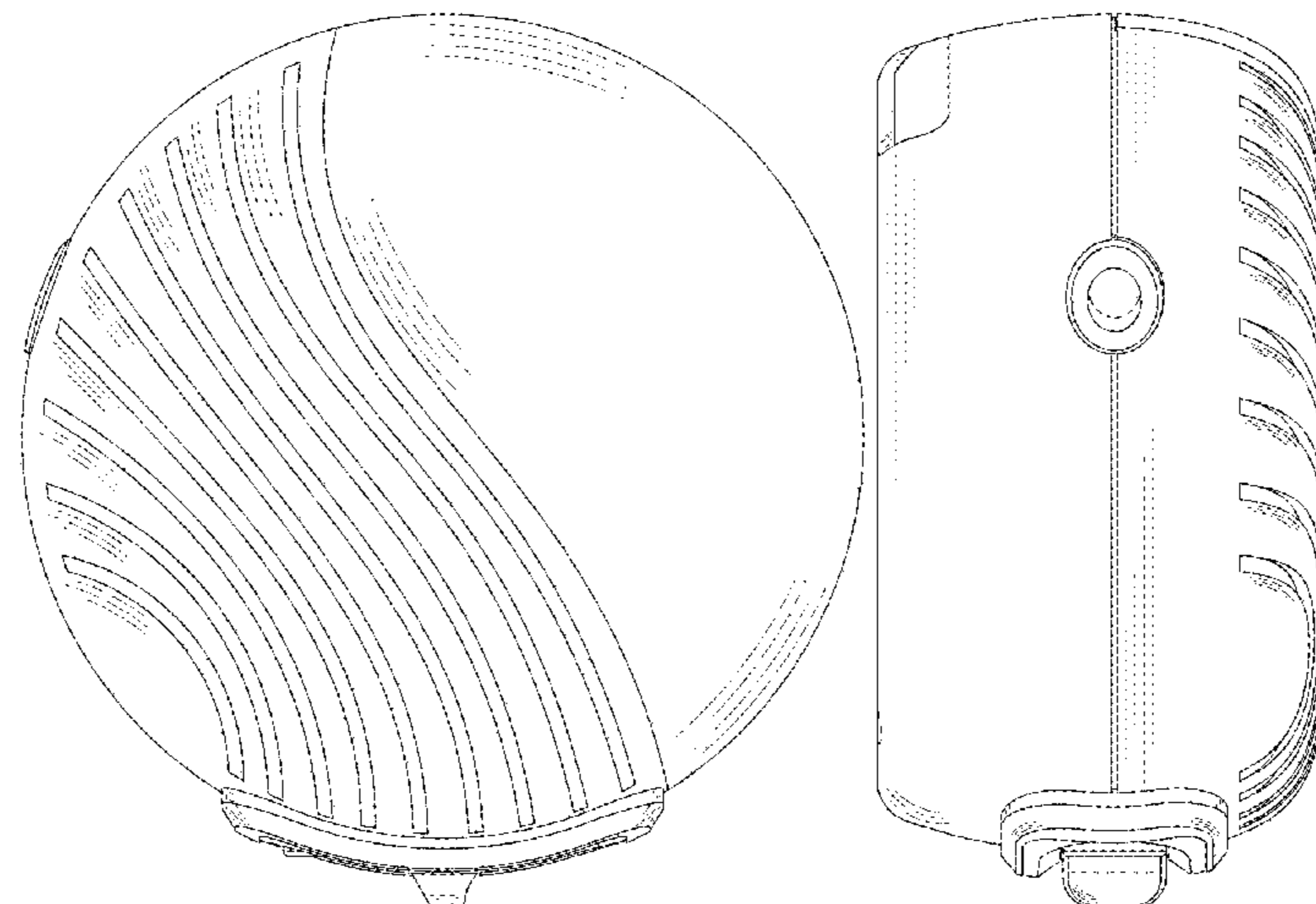
(57) **CLAIM**

The ornamental design for a pet leash, as shown and described.

DESCRIPTION

FIG. 1 is a perspective view of a pet leash showing my new design;
FIG. 2 is a front elevation view thereof;
FIG. 3 is a rear elevation view thereof;
FIG. 4 is a left side elevation view thereof;
FIG. 5 is a right side elevation view thereof;
FIG. 6 is a top plan view thereof; and,
FIG. 7 is a bottom plan.

(Continued)



The broken lines depict portion of the pet leash that form no part of the claimed design.

1 Claim, 7 Drawing Sheets

(56)

References Cited

U.S. PATENT DOCUMENTS

D386,703 S * 11/1997 Nowak D10/104.1
 D393,901 S * 4/1998 Kuhn D23/366
 5,818,354 A * 10/1998 Gentry A01K 11/006
 340/870.16
 D401,568 S * 11/1998 Alden D13/184
 D423,389 S * 4/2000 Boyd D10/104.2
 D443,924 S * 6/2001 Renella D23/366
 6,631,852 B1 * 10/2003 O'Leary A01M 1/2055
 239/60
 D487,504 S * 3/2004 Yuen D23/366
 D530,806 S * 10/2006 Holquin-Remolina D23/364
 D550,344 S * 9/2007 Weggelaar D23/366
 D588,688 S * 3/2009 Lablaine D23/368
 D607,617 S * 1/2010 Golenz D30/152
 D619,694 S * 7/2010 Hami D23/366
 D625,720 S * 10/2010 Kang D14/203.1
 D657,709 S * 4/2012 Mariani D11/1
 D676,618 S * 2/2013 Kalbach D30/152
 D683,915 S * 6/2013 So D30/152
 D706,147 S * 6/2014 Wingate D10/62
 D706,148 S * 6/2014 Wingate D10/62

D706,518 S * 6/2014 Pearson D1/127
 D713,103 S * 9/2014 Sproviero D30/199
 D718,553 S * 12/2014 Gnanendran D6/518
 D739,942 S * 9/2015 Pernu D24/167
 D743,819 S * 11/2015 Golnik D10/70
 D771,366 S * 11/2016 Nester D2/961
 D802,959 S * 11/2017 Wong D6/515
 D809,951 S * 2/2018 Yang D10/104.1
 D824,187 S * 7/2018 Haarburger D6/518
 D824,791 S * 8/2018 Scalisi D10/118
 D834,981 S * 12/2018 Grois D11/2
 10,420,401 B2 * 9/2019 Eidelman A44B 99/00
 D870,896 S * 12/2019 Komaki D24/186
 D894,963 S * 9/2020 Li D14/496
 D907,516 S * 1/2021 Siminoff D10/106.5
 D914,304 S * 3/2021 Darnell D30/160
 D916,398 S * 4/2021 Elam D30/153
 2006/0102100 A1 * 5/2006 Becker A01K 15/022
 119/720
 2006/0118588 A1 * 6/2006 Edwards B65H 35/10
 225/6
 2006/0180608 A1 * 8/2006 Edwards E01H 1/1206
 222/105
 2007/0221140 A1 * 9/2007 Warren A01K 11/008
 119/859
 2014/0116354 A1 * 5/2014 Harris, II A01K 27/004
 119/770
 2015/0356858 A1 * 12/2015 Daoura G08B 13/2417
 340/539.32
 2018/0368365 A1 * 12/2018 Van Curen A01K 27/009
 2019/0202649 A1 * 7/2019 Wurtz B65H 16/005

* cited by examiner

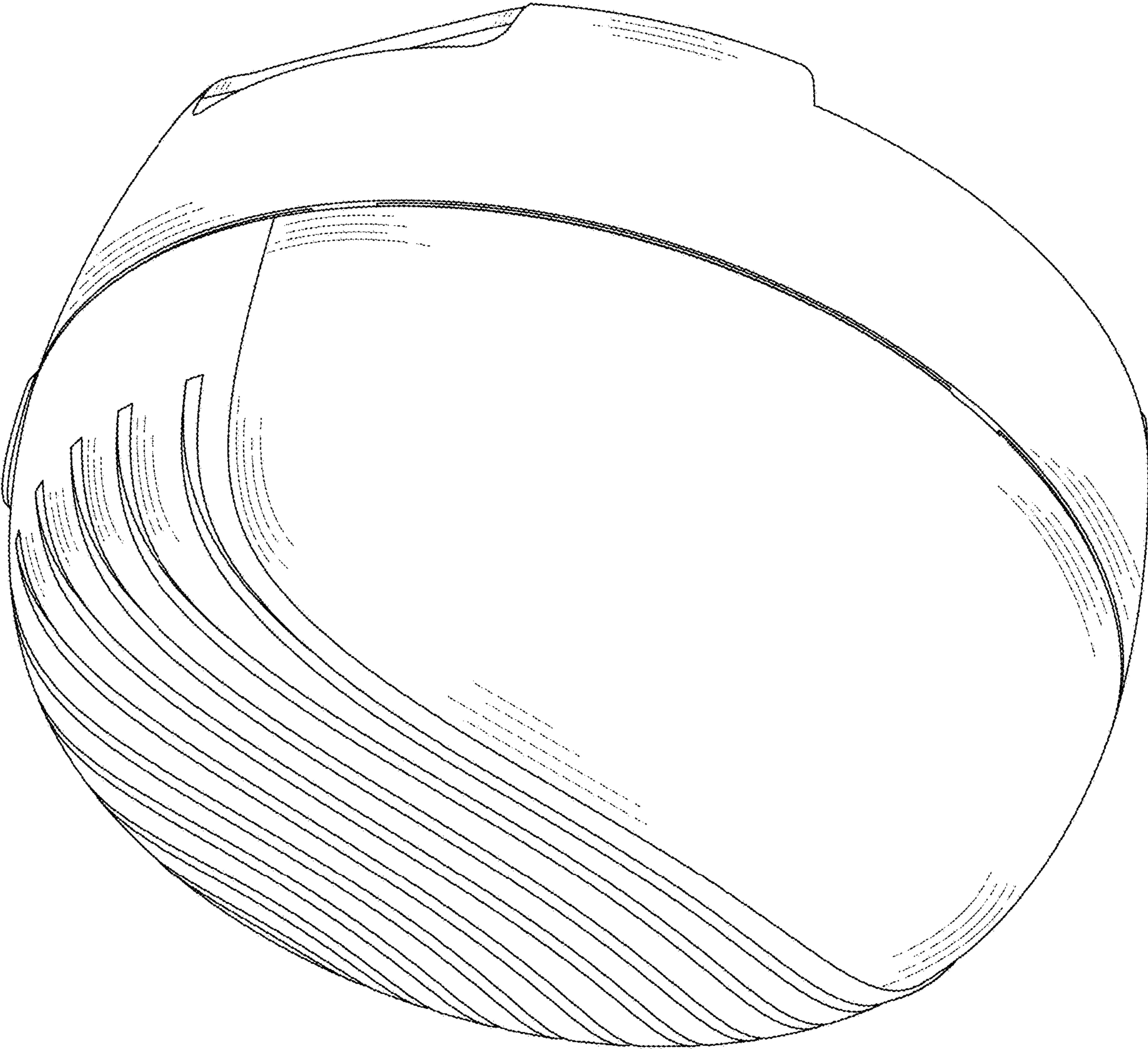


FIG. 1

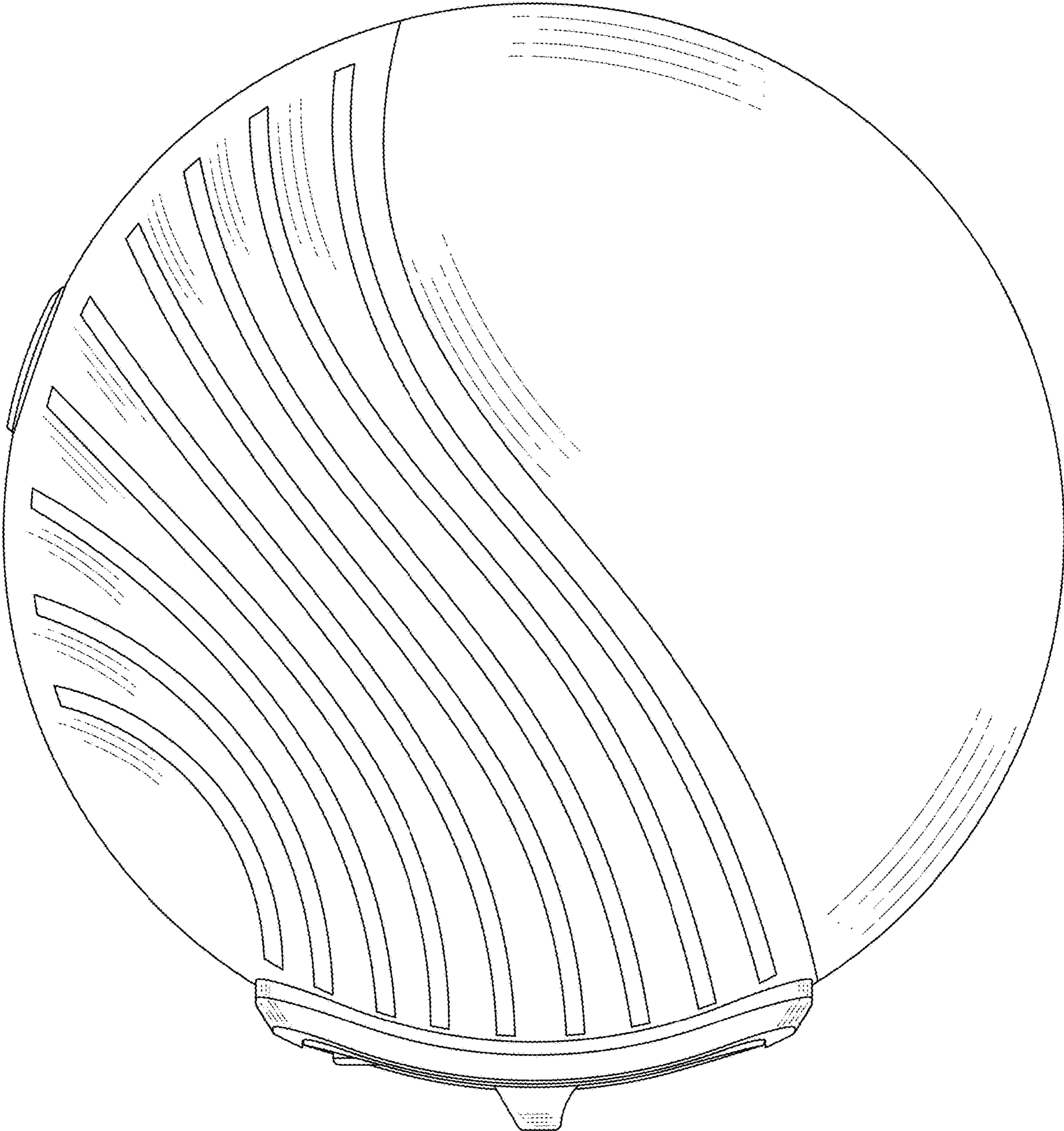


FIG. 2

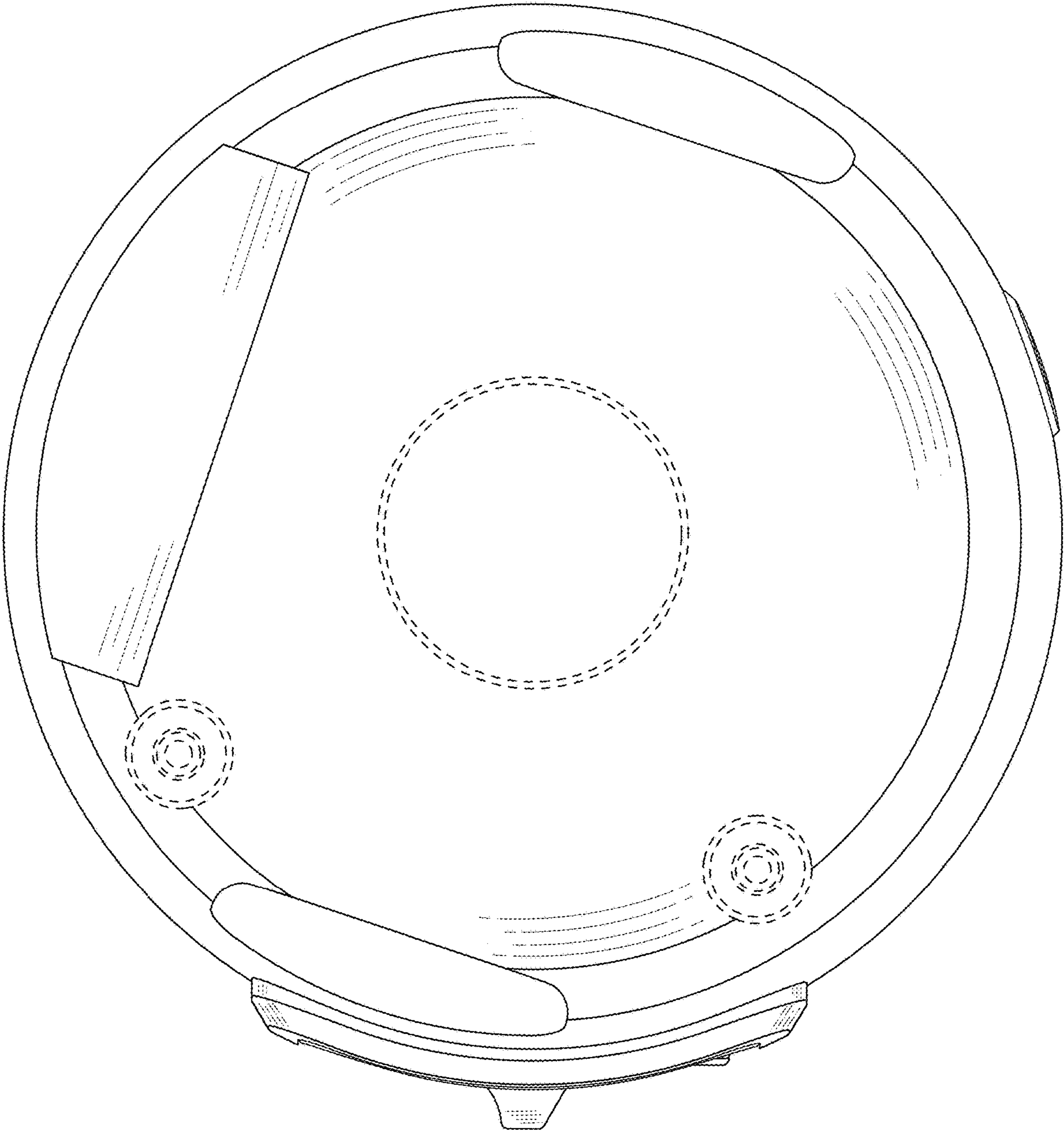


FIG. 3

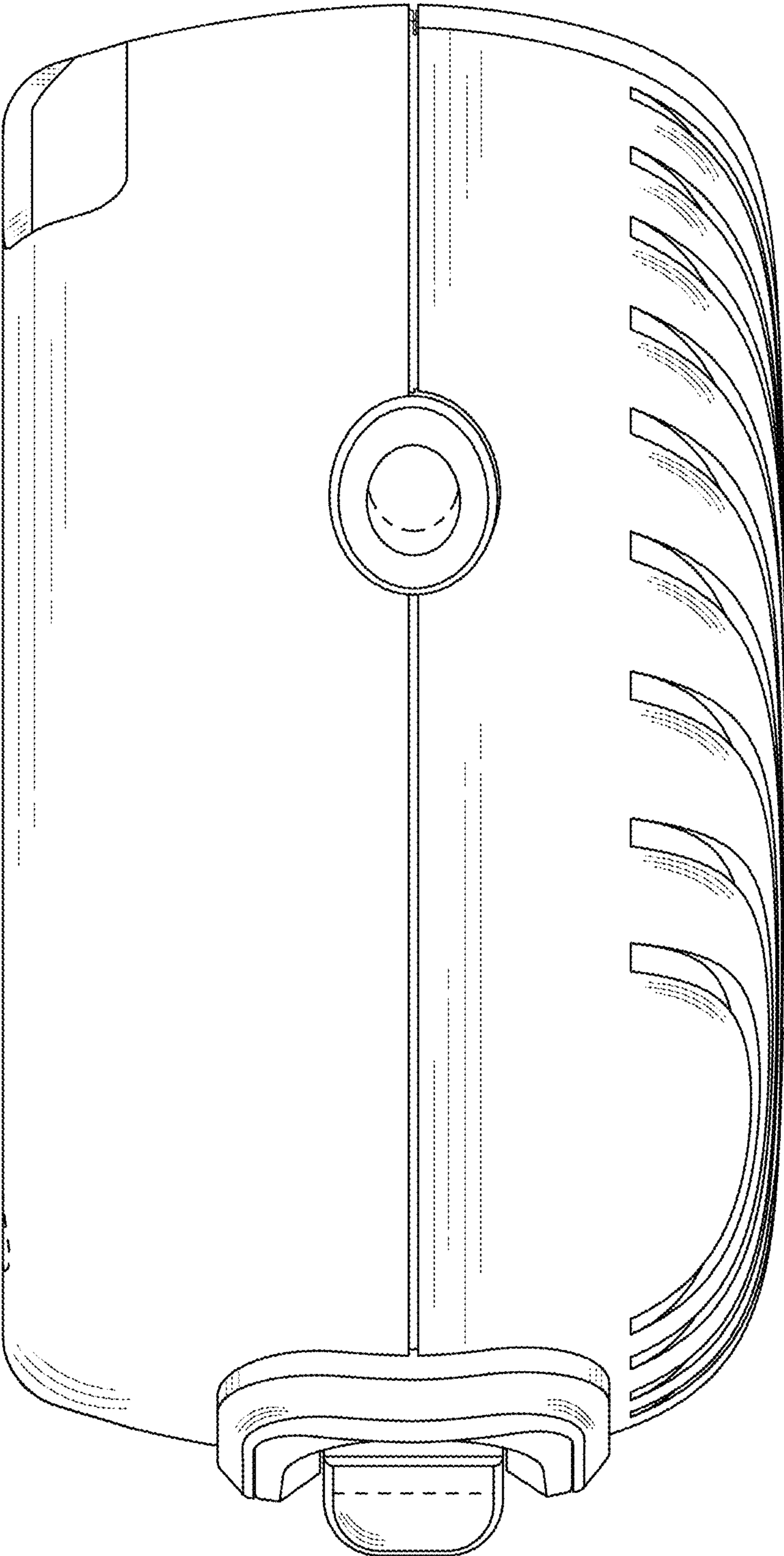


FIG. 4

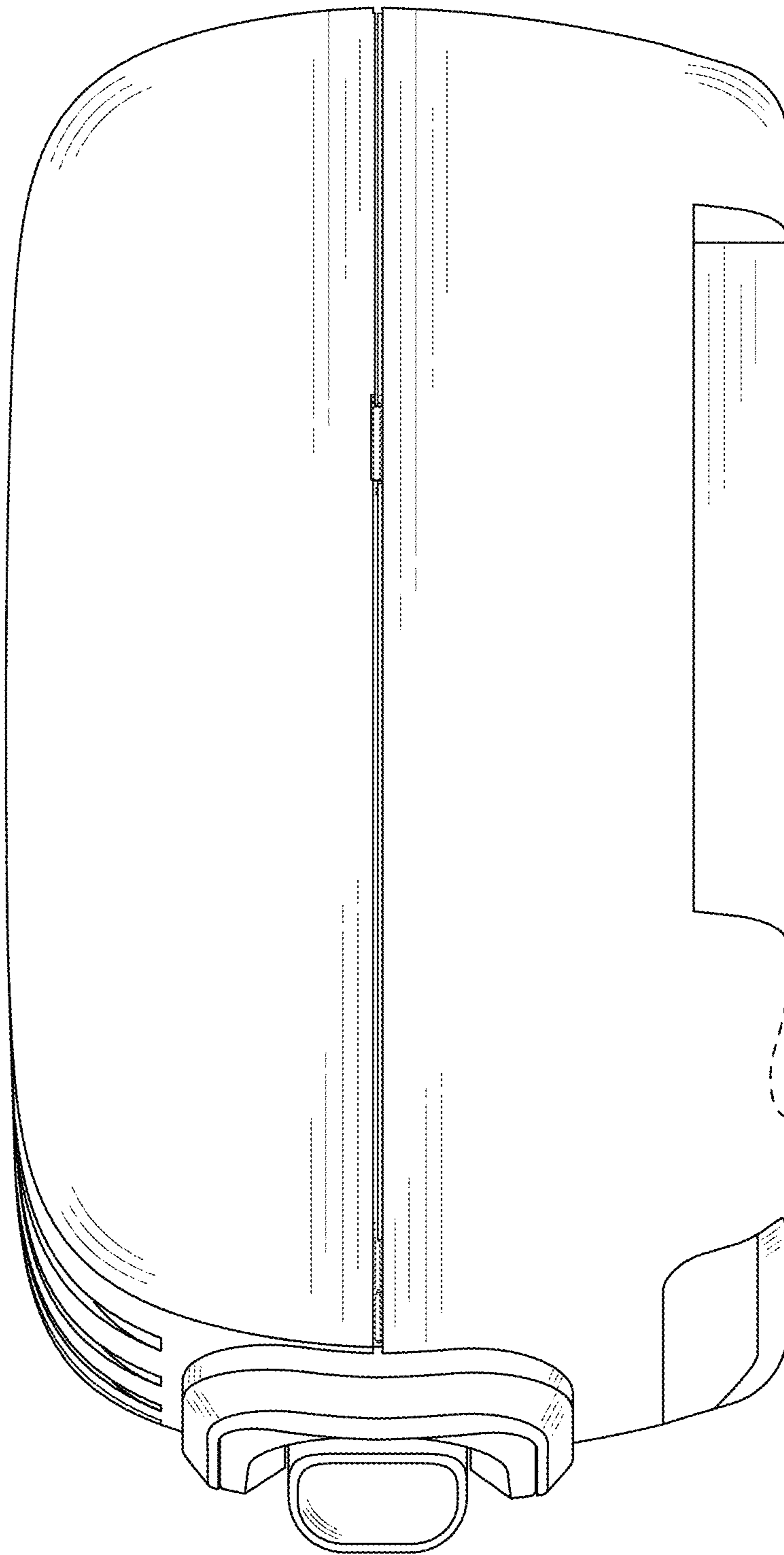


FIG. 5

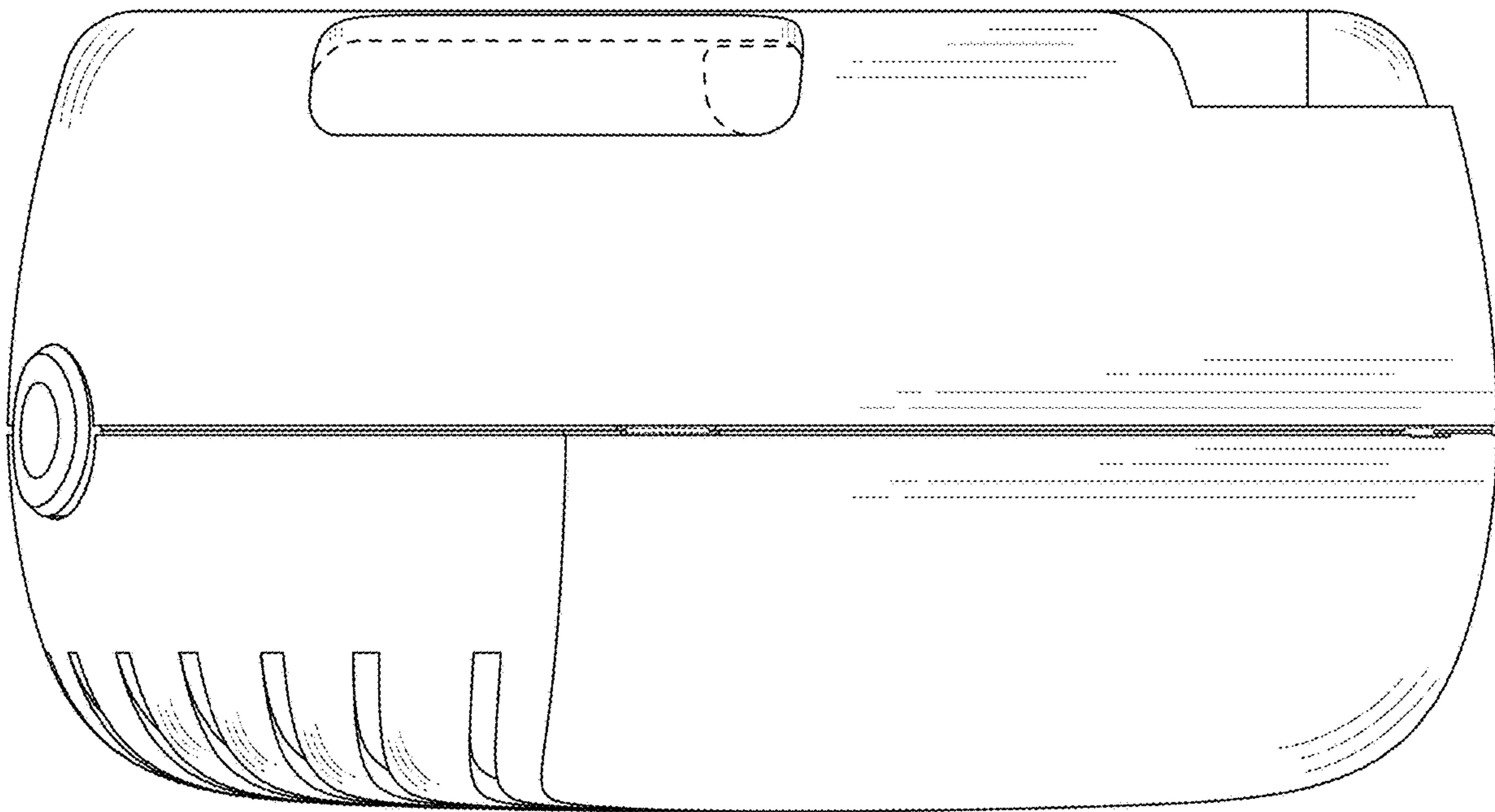


FIG. 6

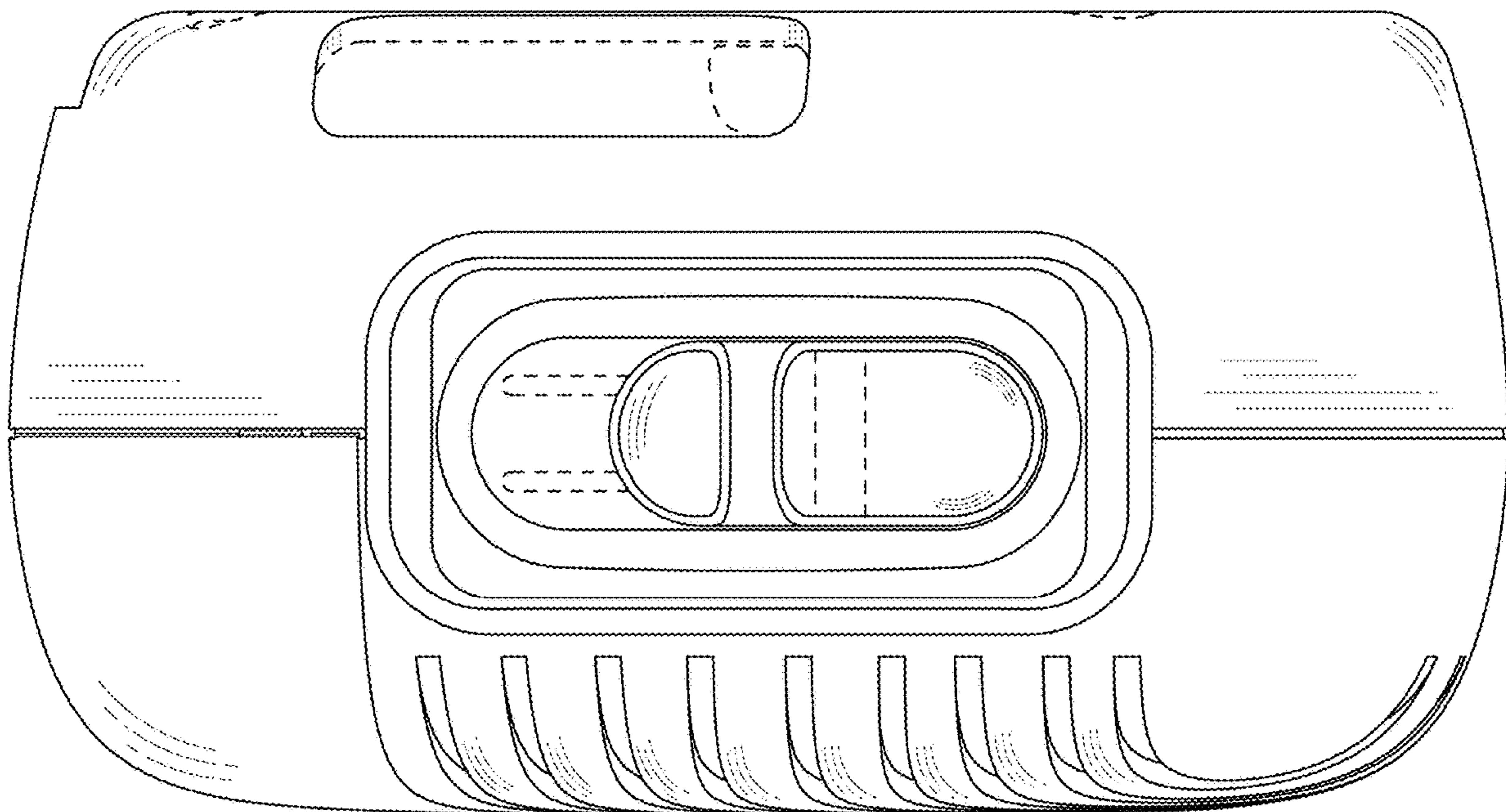


FIG. 7