

US00D927094S

(12) **United States Design Patent**
Mugford

(10) **Patent No.:** **US D927,094 S**

(45) **Date of Patent:** **** Aug. 3, 2021**

- (54) **ANIMAL HARNESS**
- (71) Applicant: **The Company of Animals Limited,**
Chertsey (GB)
- (72) Inventor: **Roger Mugford,** Chertsey (GB)
- (73) Assignee: **THE COMPANY OF ANIMALS LIMITED**
- (**) Term: **15 Years**

5,743,216 A * 4/1998 Holt, Jr. A01K 27/002
119/793
6,085,694 A * 7/2000 Simon A01K 27/002
119/792
D511,596 S * 11/2005 Mugford D30/152
7,757,641 B1 * 7/2010 Worden A01K 27/002
119/856
D645,209 S * 9/2011 Lin D29/101.4
D755,981 S * 5/2016 Shamaingar D24/190
10,194,641 B1 * 2/2019 Benabud A01K 27/003
2017/0265437 A1 * 9/2017 Sporn A01K 27/002
(Continued)

- (21) Appl. No.: **29/728,282**
- (22) Filed: **Mar. 17, 2020**

Related U.S. Application Data

- (63) Continuation of application No. 29/701,778, filed on Aug. 14, 2019.

Foreign Application Priority Data

- (30) Feb. 15, 2019 (EM) 006256194-0004

- (51) **LOC (13) Cl.** **30-04**

- (52) **U.S. Cl.**
USPC **D30/152**

- (58) **Field of Classification Search**
USPC D30/136, 137, 144, 145, 151, 152;
D24/190; D29/101.1, 101.3, 101.4;
D3/327
CPC A01K 27/002; A01K 15/04
See application file for complete search history.

(56) **References Cited**

U.S. PATENT DOCUMENTS

- 1,614,083 A * 1/1927 Plantico A01K 27/002
119/793
- D310,435 S * 9/1990 Cleveland D30/152
- 5,329,885 A * 7/1994 Sporn A01K 27/002
119/792

OTHER PUBLICATIONS

“Company Of Animals: Halti No Pull Harness”. Found online Dec. 1, 2020 at companyofanimals.us. Reference dated Sep. 10, 2019. Retrieved from <https://companyofanimals.us/brand-product/halti-no-pull-dog-harness/>.*

(Continued)

Primary Examiner — Kendra Leslie Hamilton
(74) *Attorney, Agent, or Firm* — Saidman DesignLaw Group, LLC

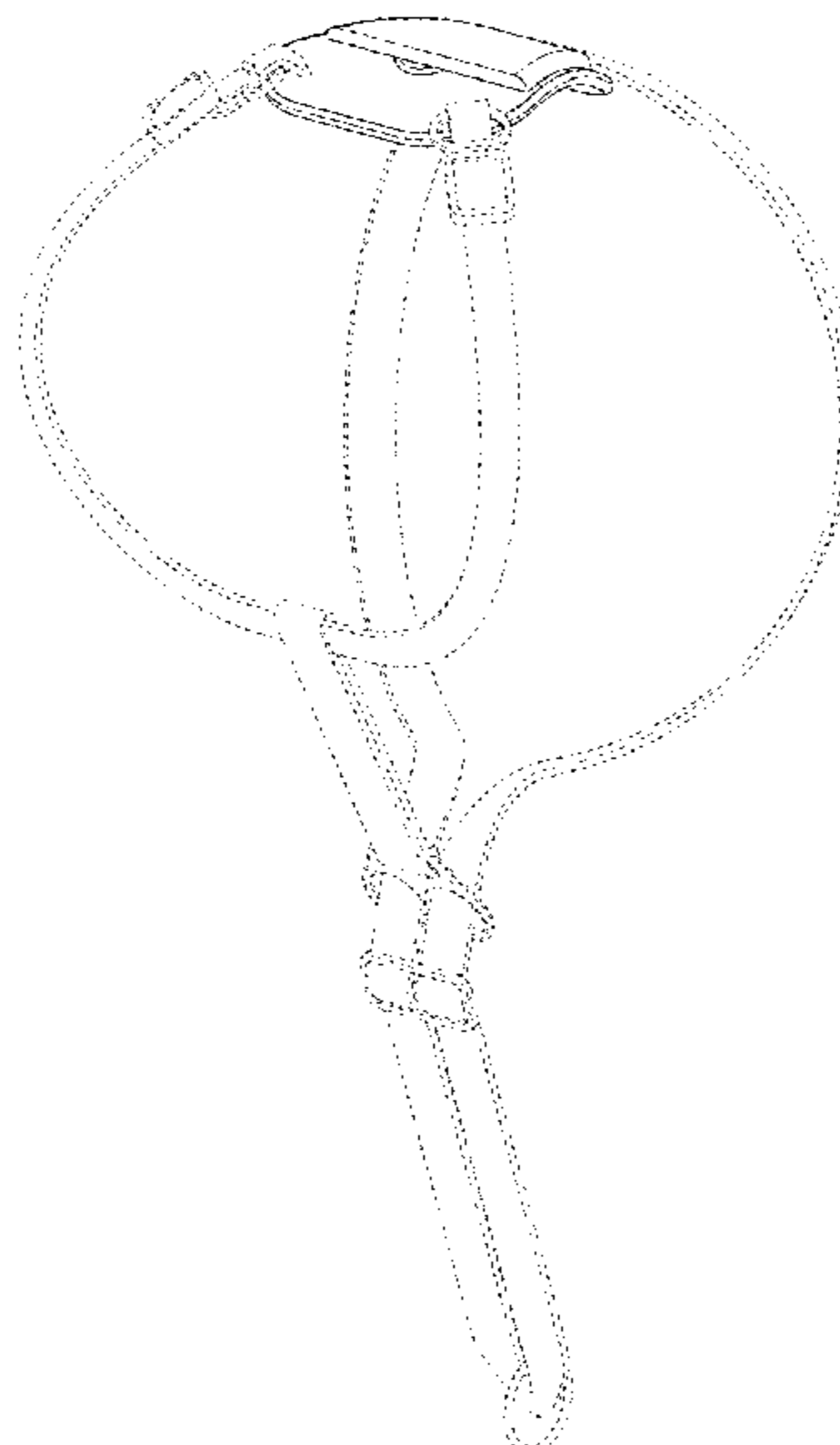
(57) **CLAIM**

The ornamental design for a animal harness, as shown and described.

DESCRIPTION

FIG. 1 is a perspective view of a animal harness showing my new design;
FIG. 2 is a front view thereof;
FIG. 3 is a rear view thereof;
FIG. 4 is a right side view thereof;
FIG. 5 is a left side view thereof;
FIG. 6 is a top view thereof; and,
FIG. 7 is a bottom view thereof.
The broken lines in the drawings depict portions of the animal harness which form no part of the claimed design.

1 Claim, 7 Drawing Sheets



(56)

References Cited

U.S. PATENT DOCUMENTS

2018/0014510 A1* 1/2018 Soriano A01K 27/002
2020/0329675 A1* 10/2020 Wiese A01K 27/005

OTHER PUBLICATIONS

“Sporn Mesh No Pull Dog Harness”. Found online Dec. 1, 2020 at chewy.com. Reference dated Aug. 25, 2016. Retrieved from https://www.chewy.com/sporn-mesh-no-pull-dog-harness/dp/131815?utm_source=google-product&utm_medium=cpc&utm_campaign=hg&utm_content.*

“PetSafe: Come with Me—Kitty Harness & Bungee Leash”. Found online Dec. 3, 2020 at amazon.com. Reference dated Jan. 16, 2007. Retrieved from https://www.amazon.com/PetSafe-Kitty-Harness-Bungee-Leash/dp/B000OBIW9Q/ref=psdc_2975254011_t2_B082DTHMBL.*

“Trixie Lead-N-Walk Dog Training Harness”. Found online Feb. 13, 2020 at amazon.co.uk. Reference dated Oct. 14, 2009. Retrieved from https://www.amazon.co.uk/Trixie-Basic-Training-Harness-Black/dp/B000RZQQHE/ref=sr_1_33?keywords=harness&qid=1581618249&s=petsupplies&sr=1-33.*

* cited by examiner

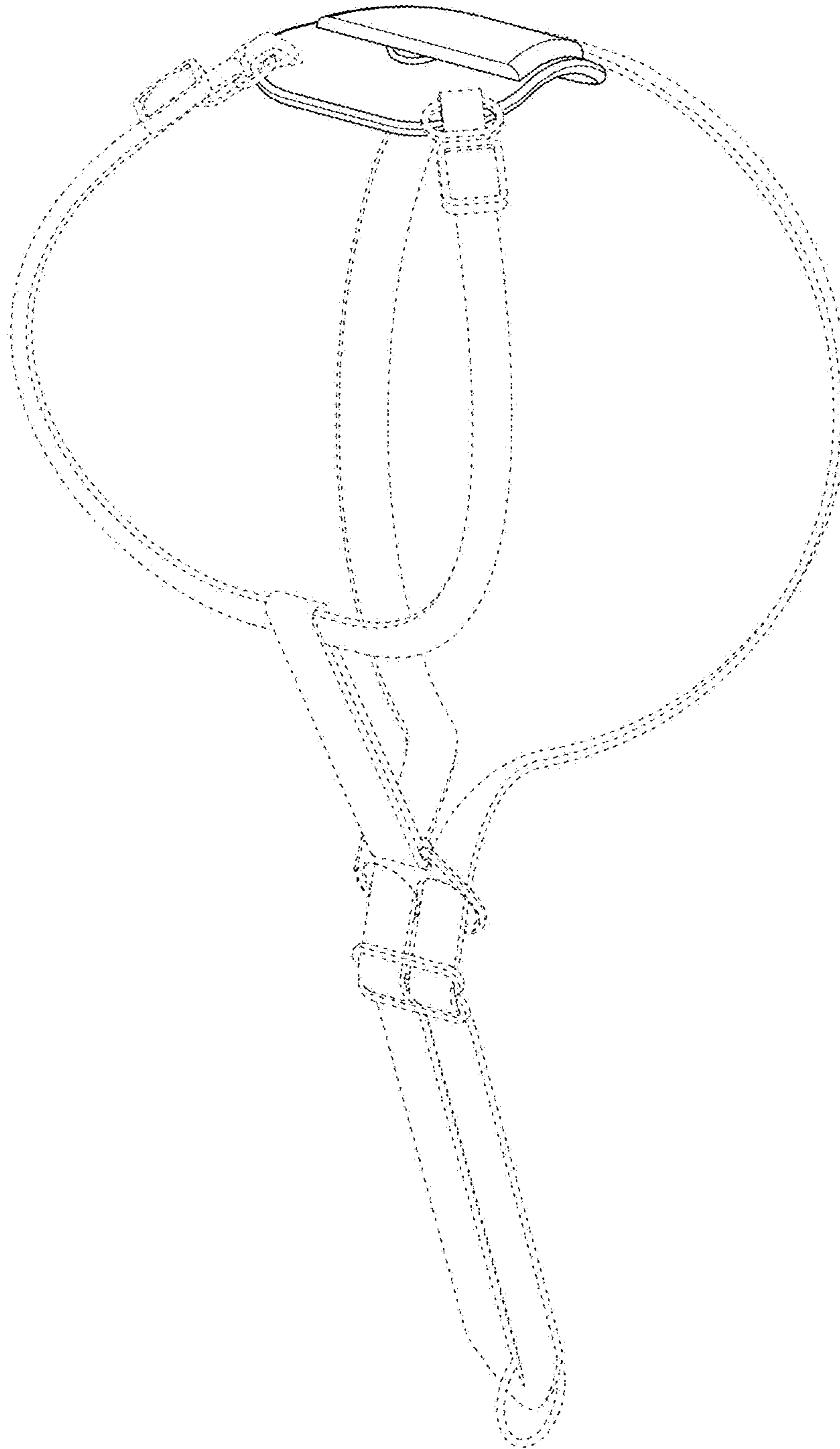


FIG. 1

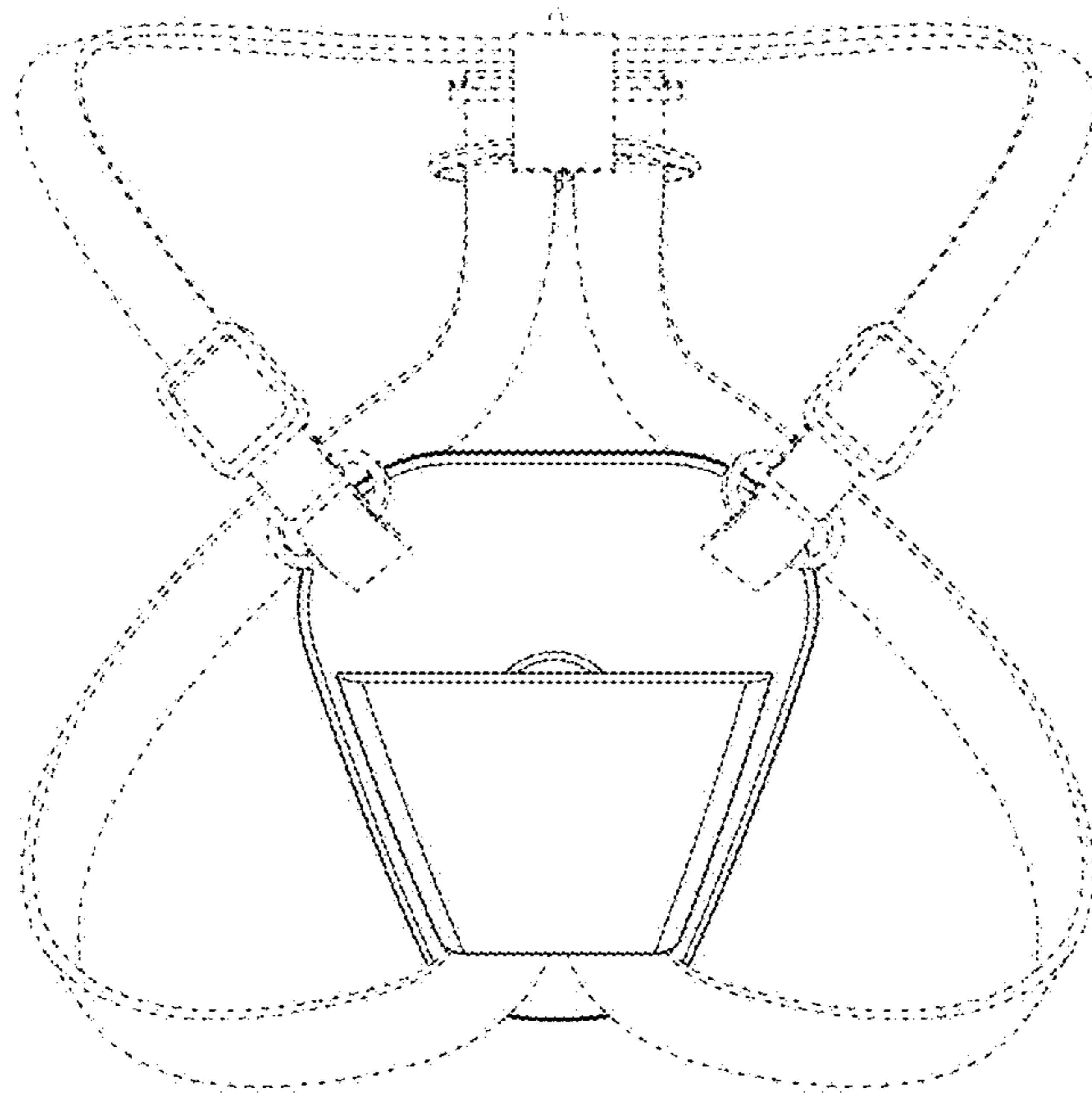


FIG. 2

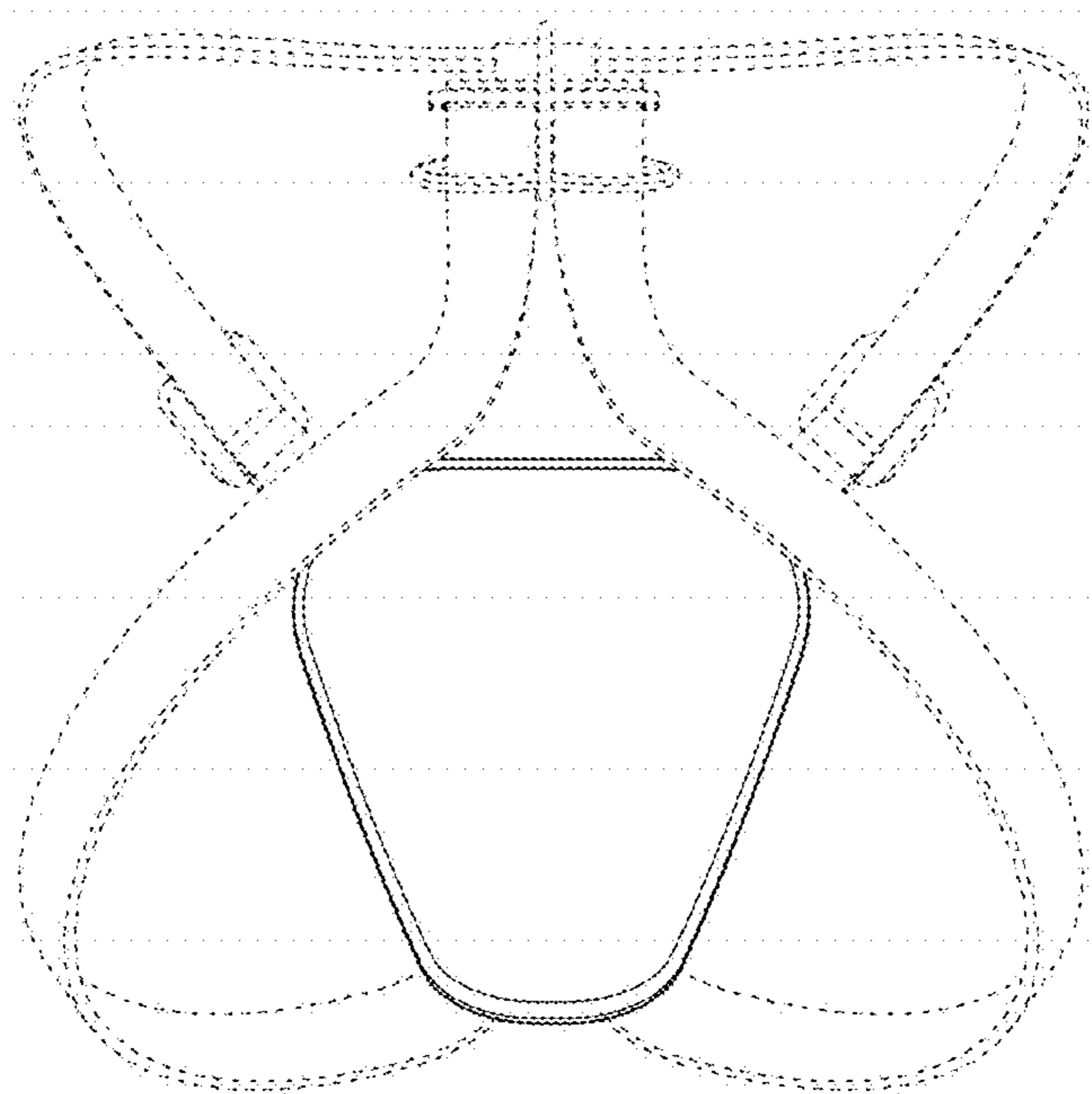


FIG. 3

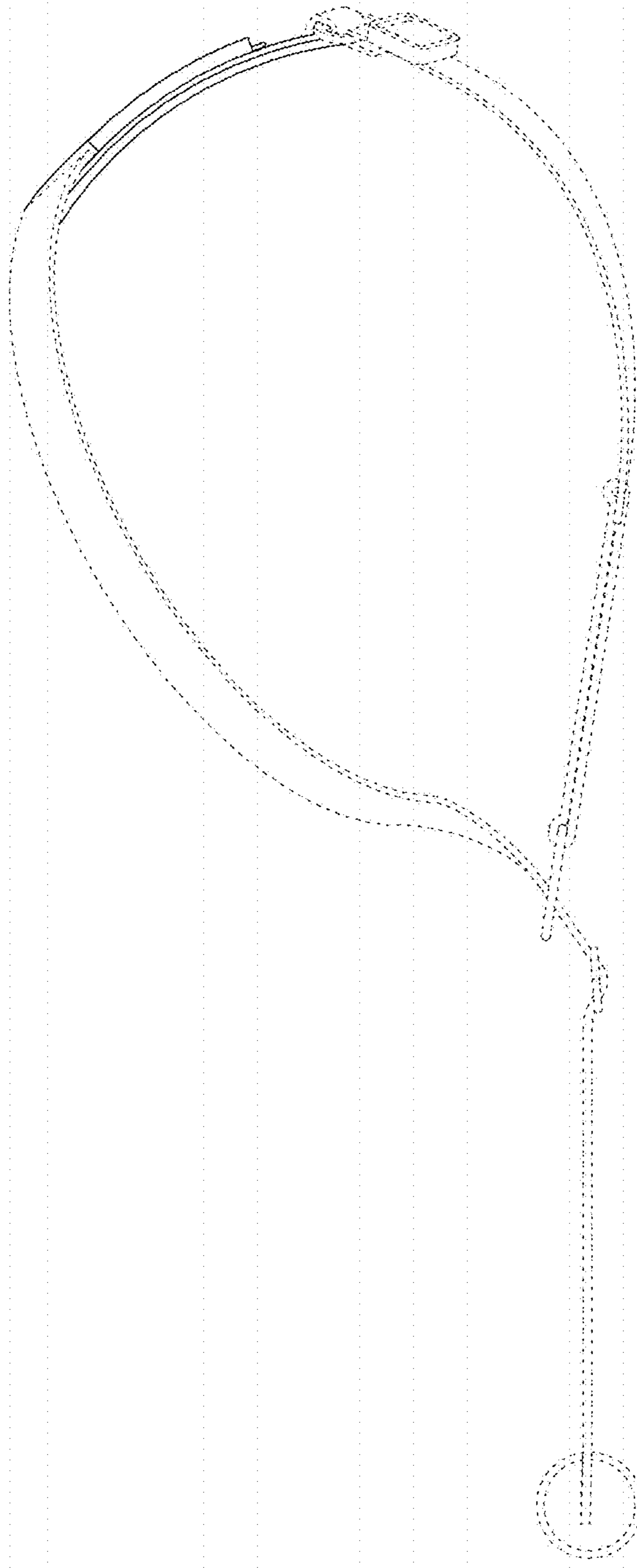


FIG. 4

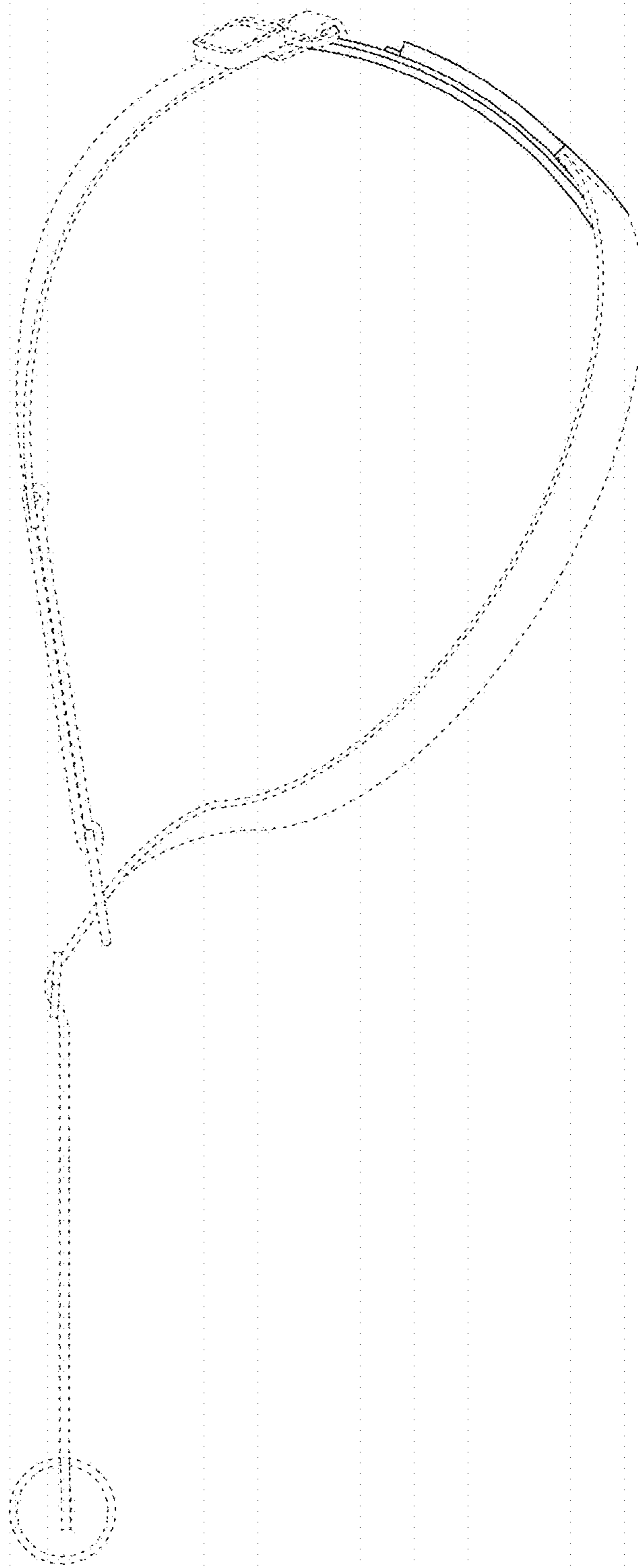


FIG. 5

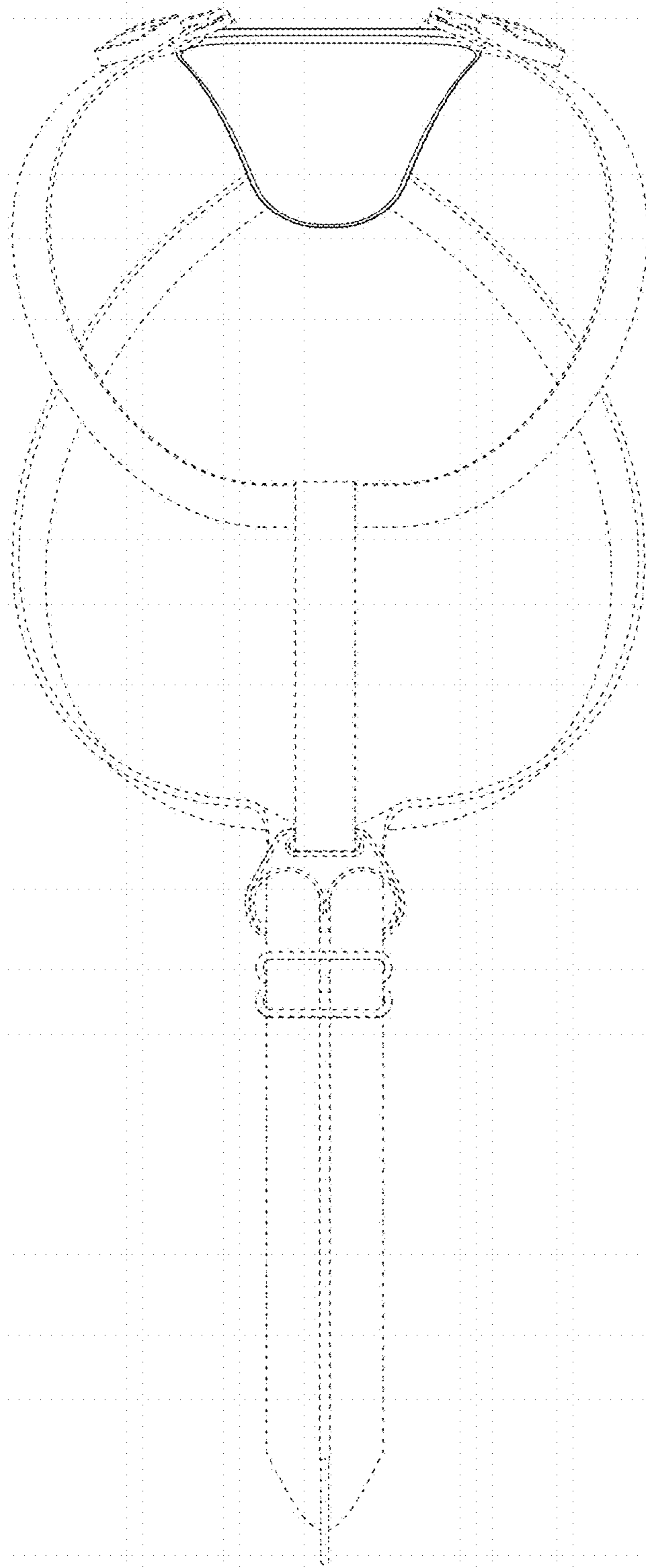


FIG. 6

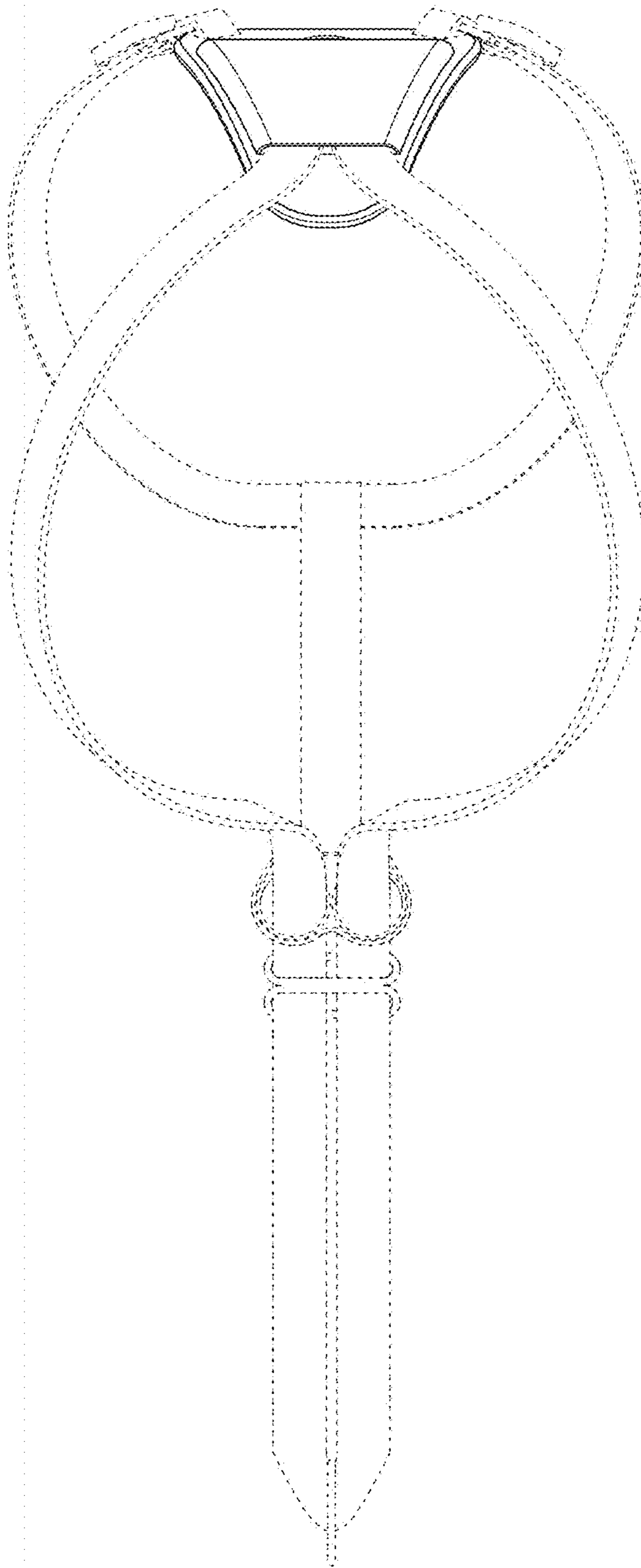


FIG. 7