



US00D927091S

(12) **United States Design Patent**  
**Aviv et al.**

(10) **Patent No.:** **US D927,091 S**

(45) **Date of Patent:** **\*\* Aug. 3, 2021**

(54) **FOLDABLE WINDOW BIRD FEEDER**

(71) Applicant: **D.F. OMER LTD**, Kibbutz Mishmarot (IL)

(72) Inventors: **Yaron Aviv**, Zoor Moshe (IL); **Chen Altman**, Katzir (IL)

(73) Assignee: **D.F. OMER LTD**, Kibbutz Mishmarot (IL)

(\*\*) Term: **15 Years**

(21) Appl. No.: **35/509,469**

(22) Filed: **May 14, 2020**

(80) **Hague Agreement Data**

Int. Filing Date: **May 14, 2020**

Int. Reg. No.: **DM/208251**

Int. Reg. Date: **May 14, 2020**

Int. Reg. Pub. Date: **May 29, 2020**

(51) **LOC (13) Cl.** ..... **30-03**

(52) **U.S. Cl.**  
USPC ..... **D30/124**

(58) **Field of Classification Search**  
USPC ..... D30/110, 119, 121, 123, 124, 126, 133;  
D25/30, 32, 47.1, 48.4, 56; D6/405, 574;  
D11/55

(Continued)

(56) **References Cited**

**U.S. PATENT DOCUMENTS**

4,261,294 A \* 4/1981 Bescherer ..... A01K 39/0206  
119/57.8

D268,619 S \* 4/1983 Blasbalg ..... D30/128

(Continued)

**OTHER PUBLICATIONS**

“DF Omer: Weatherproof Polycarbonate Window Bird Feeder”.  
Found online Mar. 25, 2021 at amazon.com. Reference dated Aug.

28, 2020. Retrieved from [https://www.amazon.com/OMER-Weatherproof-Polycarbonat-3-Sectioned-11-6x4-3x5-7/dp/B083WDKLBf/ref=cm\\_cr\\_arp\\_d\\_product\\_top?\\*](https://www.amazon.com/OMER-Weatherproof-Polycarbonat-3-Sectioned-11-6x4-3x5-7/dp/B083WDKLBf/ref=cm_cr_arp_d_product_top?)

(Continued)

*Primary Examiner* — Kendra Leslie Hamilton

(74) *Attorney, Agent, or Firm* — Vorys, Sater, Seymour and Pease LLP; William L. Klima

(57) **CLAIM**

The ornamental design for a foldable window bird feeder, as shown and described.

**DESCRIPTION**

1.-2. Foldable window bird feeder

1.1 : Top, Front, Right Perspective

1.2 : Bottom, Rear, Left Perspective

1.3 : Front

1.4 : Rear

1.5 : Left, the right side being a mirror image thereof

1.6 : Top

1.7 : Bottom

2.1 : Top, Front, Right Perspective

2.2 : Bottom, Rear, Left Perspective

2.3 : Front

2.4 : Rear

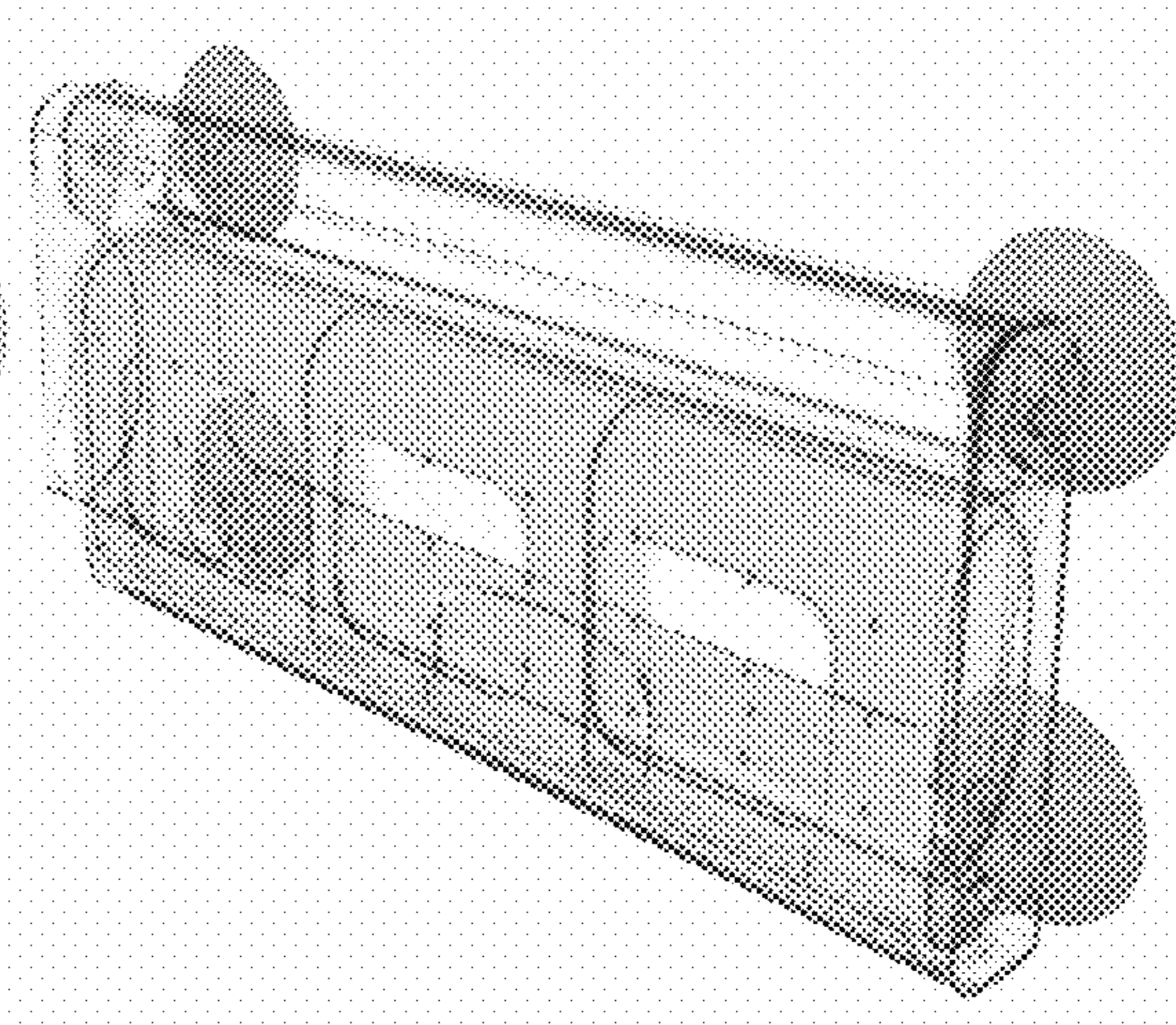
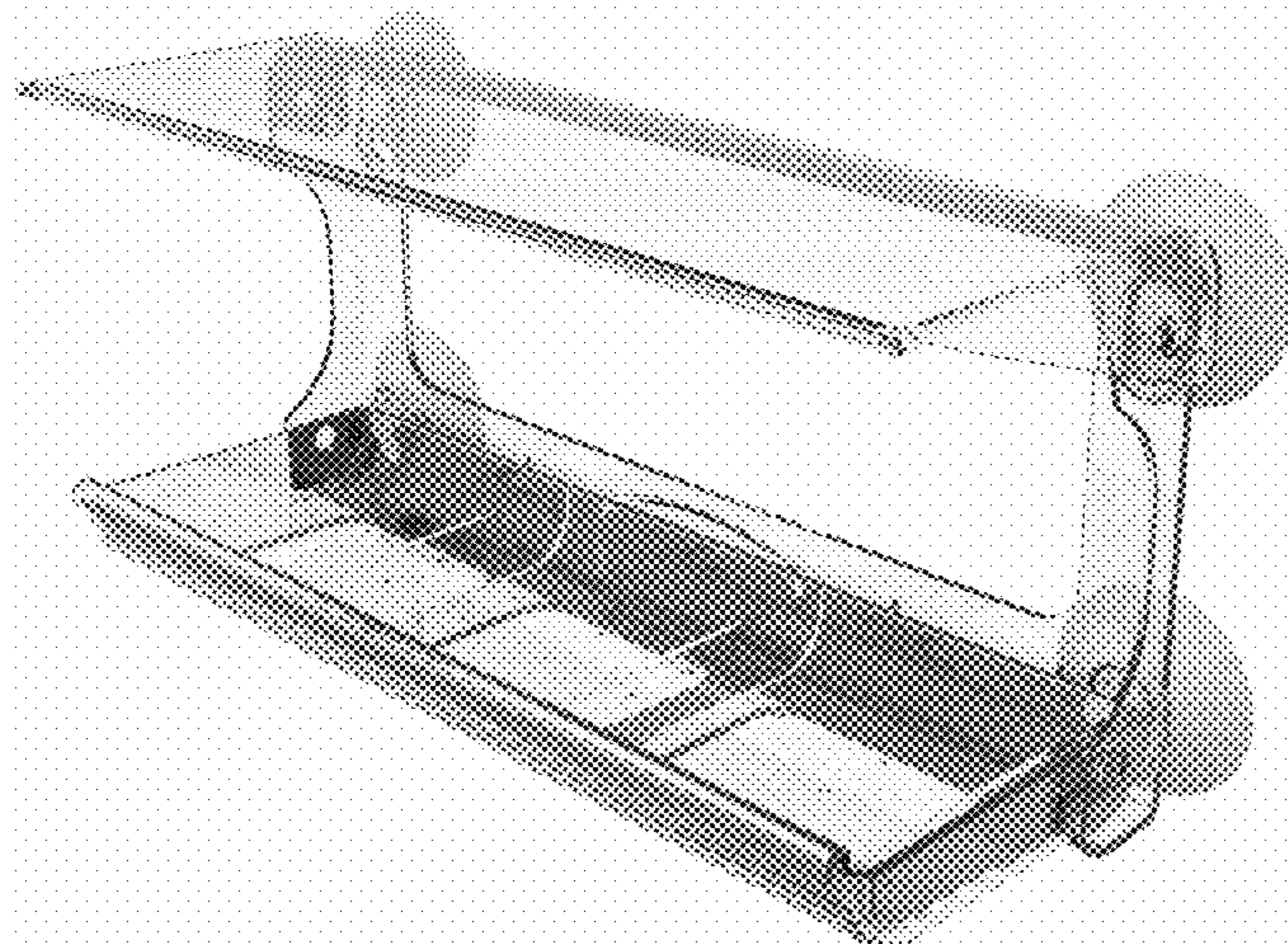
2.5 : Right, the left side being a mirror image thereof

2.6 : Top

2.7 : Bottom

1. Reproduction 1.1: perspective (front, top, right); reproduction 1.2: perspective (back, bottom, left); reproduction 1.3: front; reproduction 1.4: rear; reproduction 1.5: left; reproduction 1.6: top; reproduction 1.7: bottom; the right side view is omitted because it is a mirror image of the left side view; the product is transparent.; 2. Reproduction 2.1: perspective (front, top, right); reproduction 2.2: perspective (back, bottom, left); reproduction 2.3: front; reproduction 2.4: rear; reproduction 2.5: right; reproduction 2.6: top; reproduction 2.7: bottom; the left side view is omitted because it is a mirror image of the right side view; the product is transparent.

**1 Claim, 14 Drawing Sheets**



(58) **Field of Classification Search**

CPC ..... A01K 39/00; A01K 39/01

See application file for complete search history.

D831,899 S \* 10/2018 Ellis ..... D30/126  
D899,702 S \* 10/2020 Thorn ..... D30/124  
2004/0250777 A1\* 12/2004 Stachowiak ..... A01K 39/012  
119/52.2

(56)

**References Cited**

U.S. PATENT DOCUMENTS

D274,013 S \* 5/1984 Sun ..... 119/57.8  
4,838,205 A \* 6/1989 Larson ..... A01K 39/012  
119/52.2  
4,881,491 A \* 11/1989 Brown ..... A01K 39/00  
119/51.01  
D350,627 S \* 9/1994 Moniak ..... D30/124  
D351,690 S \* 10/1994 Honeycutt ..... D30/124  
D405,634 S \* 2/1999 Smith ..... D6/574  
D407,863 S \* 4/1999 Leal ..... D30/124  
D701,322 S \* 3/2014 McCue ..... D25/32

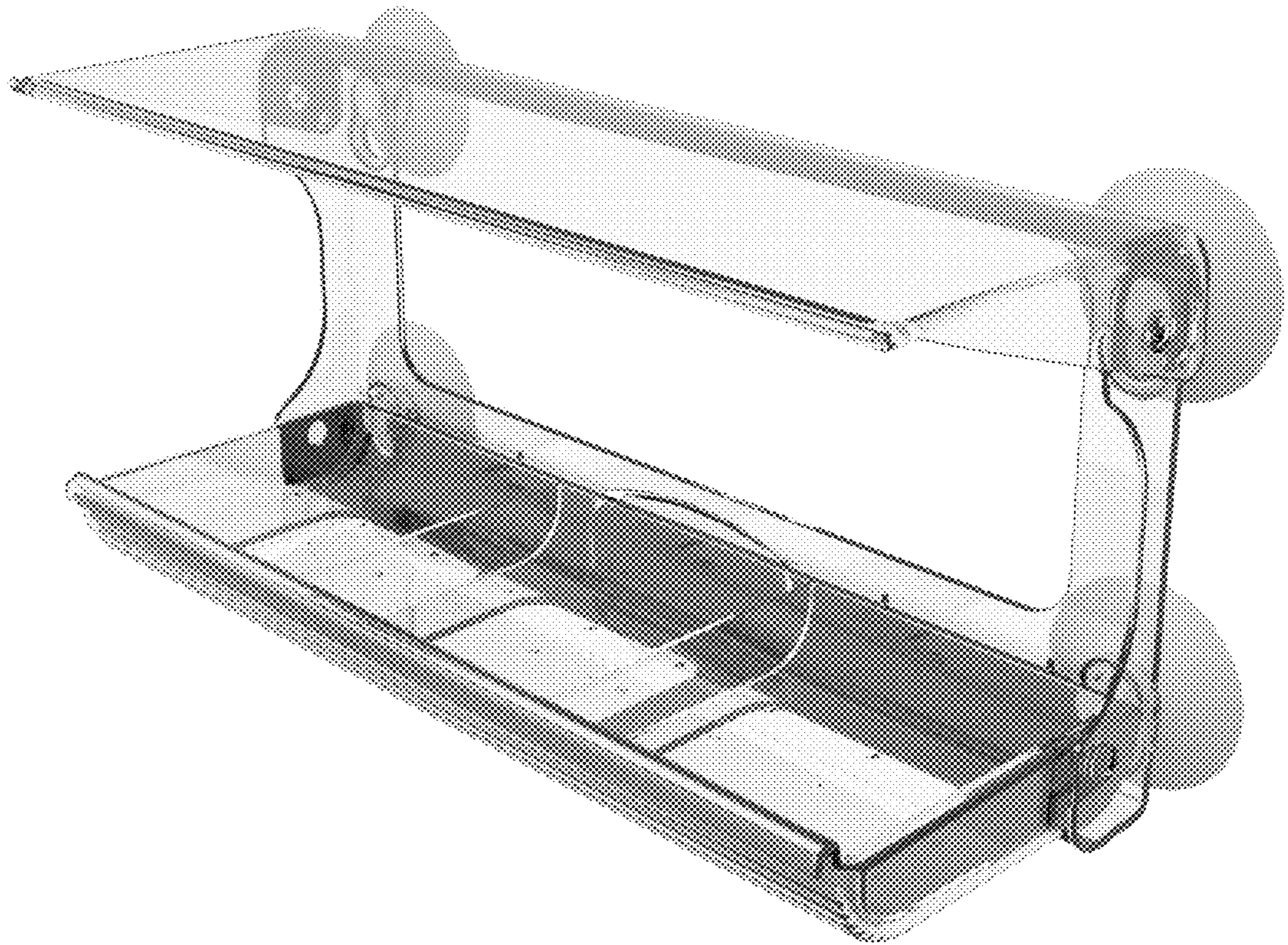
OTHER PUBLICATIONS

“Birdious: Deluxe Window Bird Feeder”. Found online Mar. 25, 2021 at amazon.com. Reference dated Dec. 10, 2017. Retrieved from [https://www.amazon.com/Birdious-Wild-Window-Feeder-Outside/dp/B0745C63MD/ref=cm\\_cr\\_ar\\_p\\_d\\_product\\_top?](https://www.amazon.com/Birdious-Wild-Window-Feeder-Outside/dp/B0745C63MD/ref=cm_cr_ar_p_d_product_top?).  
“Nature Decor: Large Window Bird Feeder”. Found online Mar. 25, 2021 at amazon.co.uk. Reference dated Sep. 22, 2016. Retrieved from [https://www.amazon.co.uk/WEIYIKANG-Acrylic-Window-Feeder-Removable/dp/B01M1ID2KG/ref=sr\\_1\\_50\\_sspa?](https://www.amazon.co.uk/WEIYIKANG-Acrylic-Window-Feeder-Removable/dp/B01M1ID2KG/ref=sr_1_50_sspa?).  
“UkCoco Window Bird Feeder”. Found online Mar. 25, 2021 at amazon.co.uk. Reference dated May 3, 2018. Retrieved from [https://www.amazon.co.uk/dp/B07CTDSZ4W/ref=sspa\\_dk\\_detail\\_0?](https://www.amazon.co.uk/dp/B07CTDSZ4W/ref=sspa_dk_detail_0?).

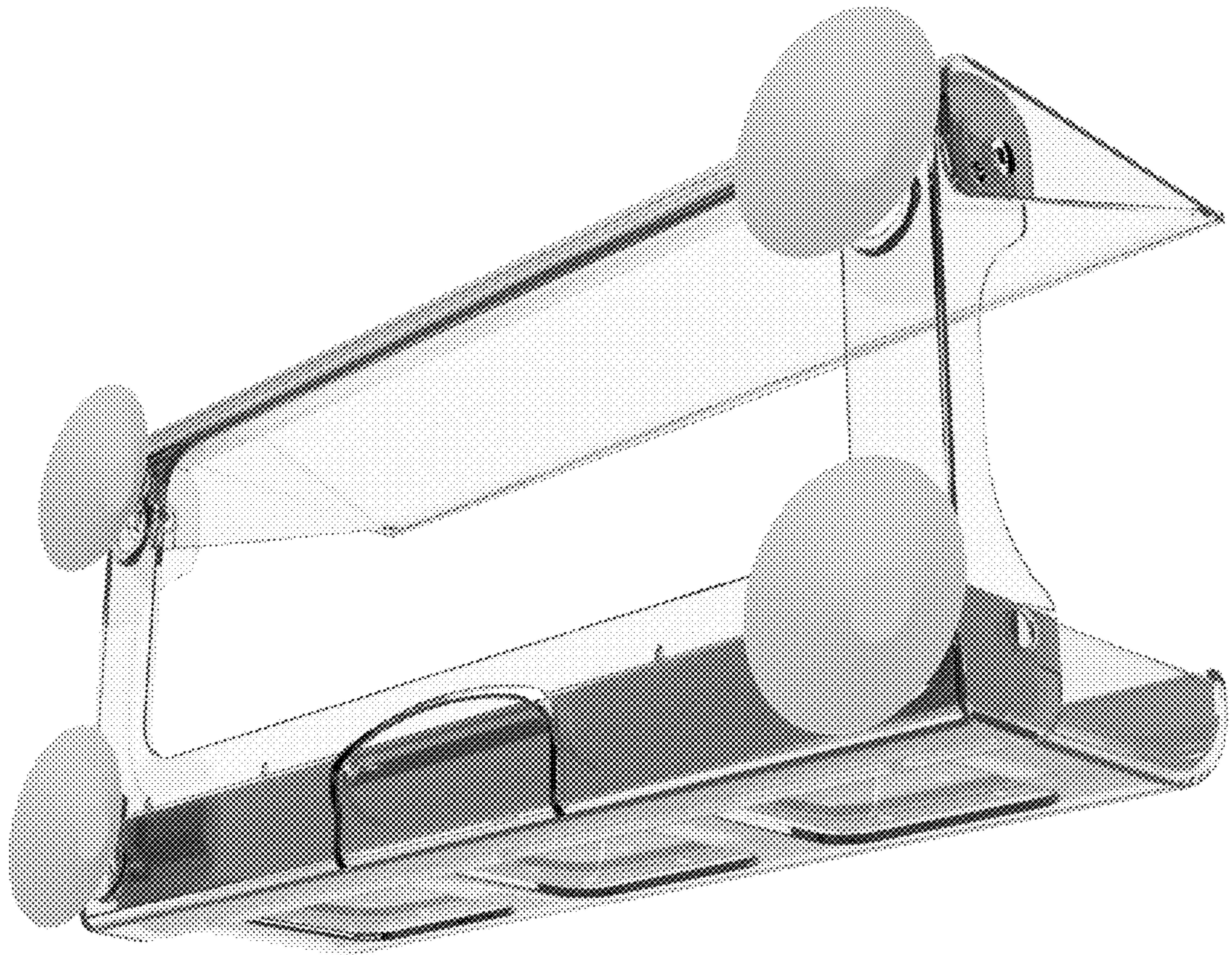
\* cited by examiner



1.1

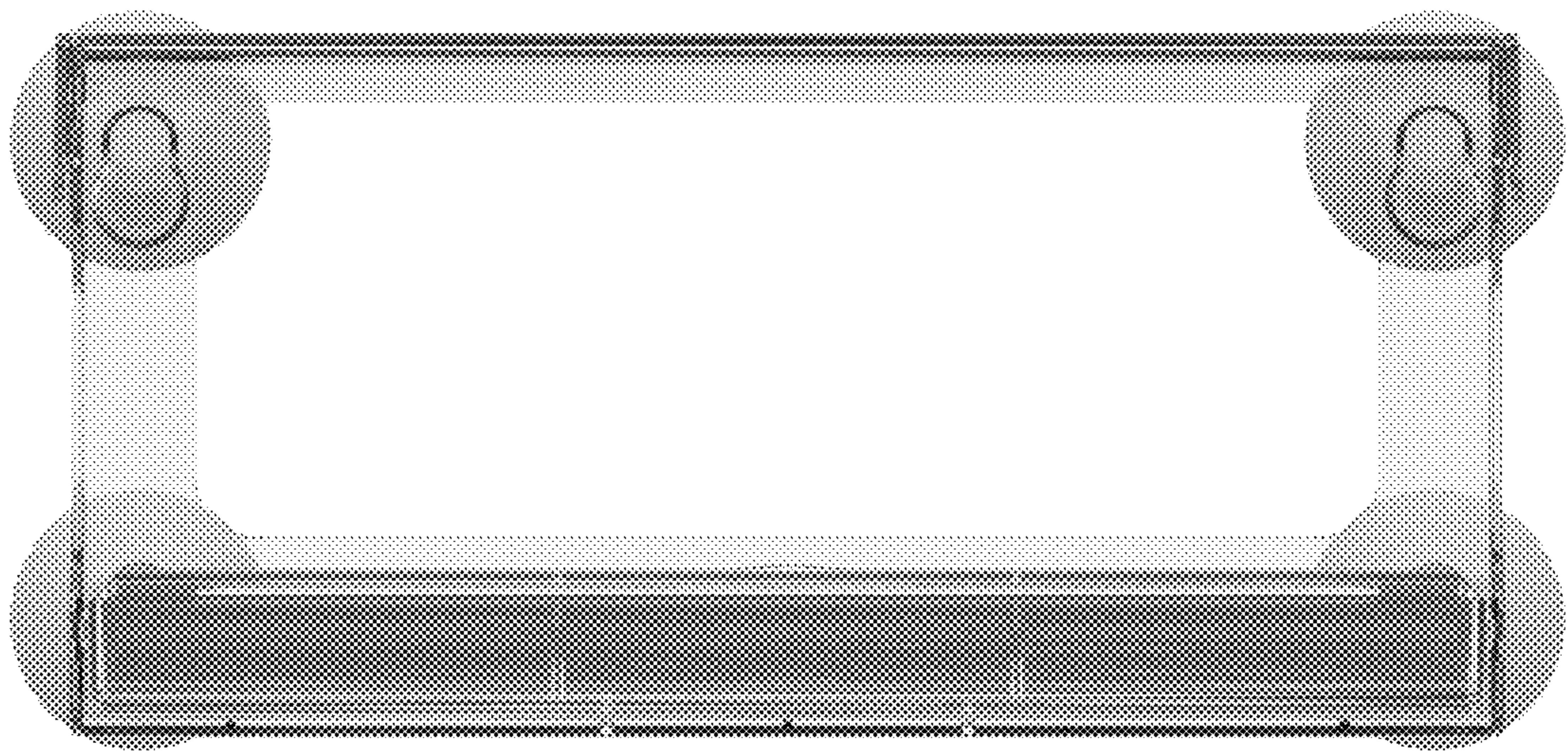


1.2

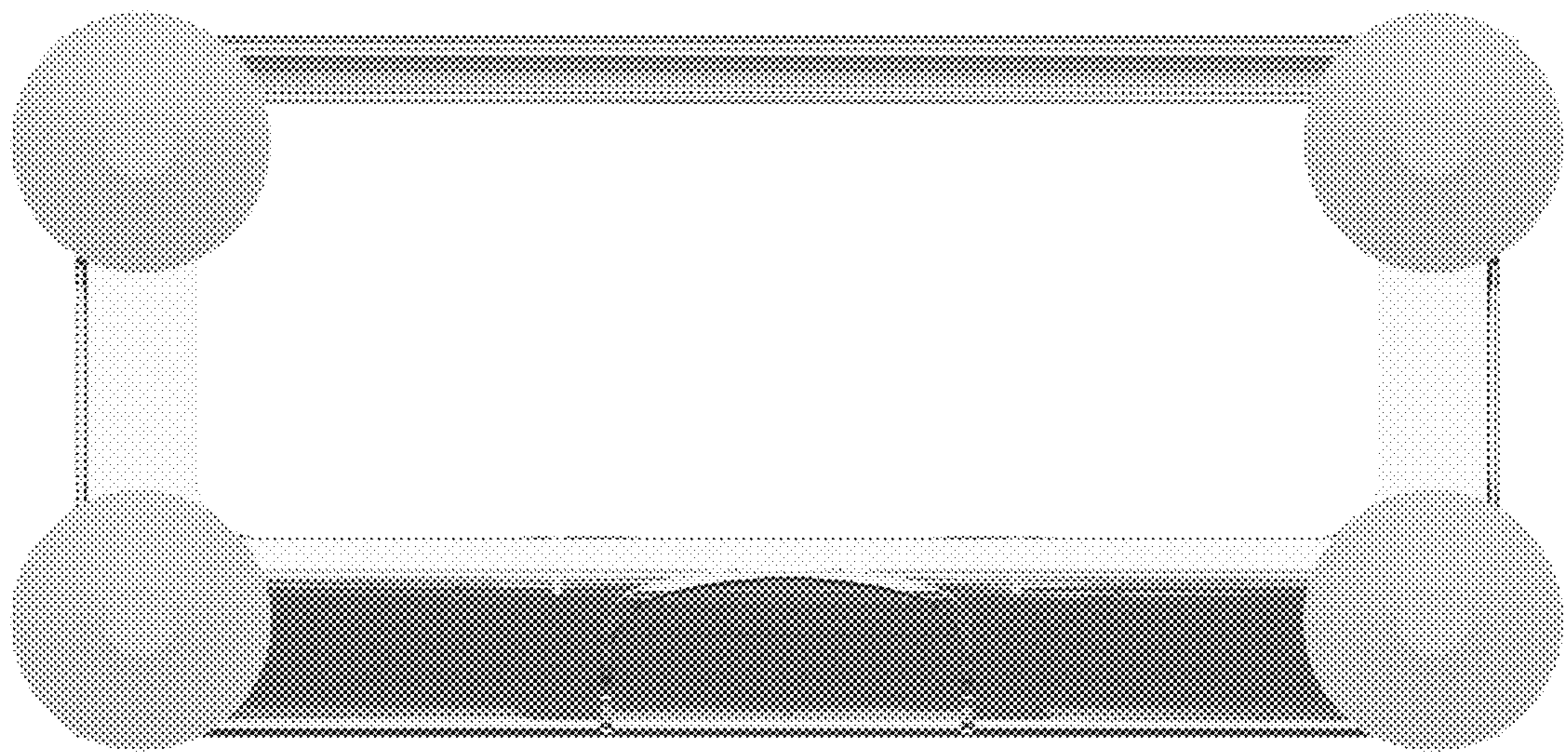




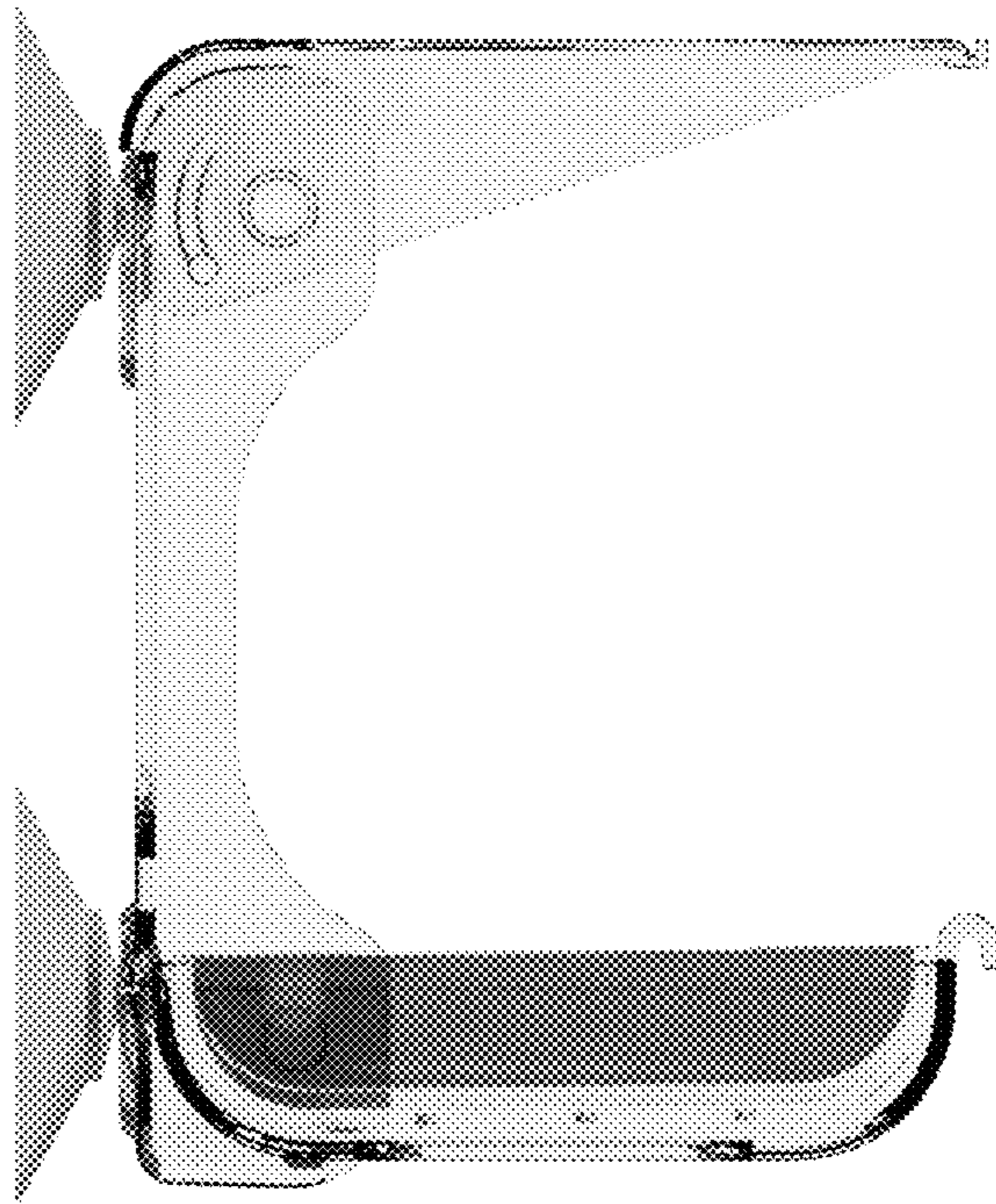
1.3



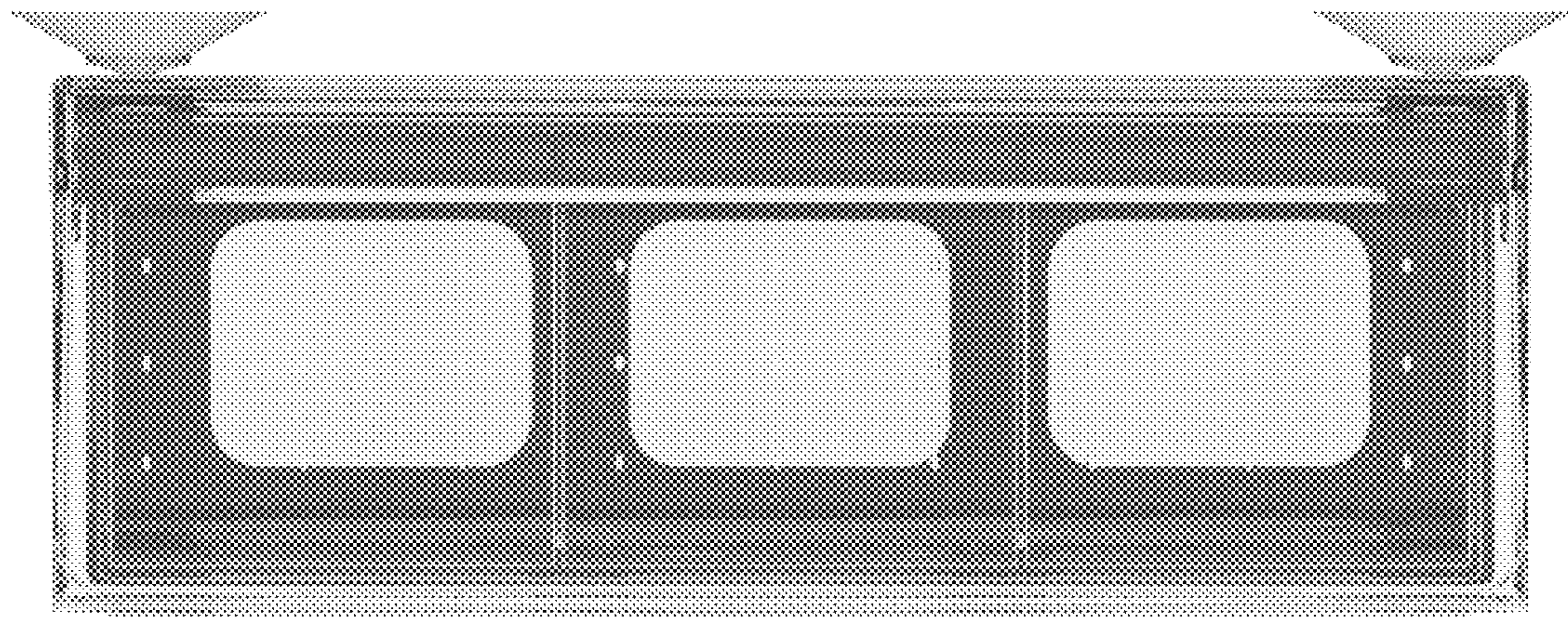
1.4



1.5

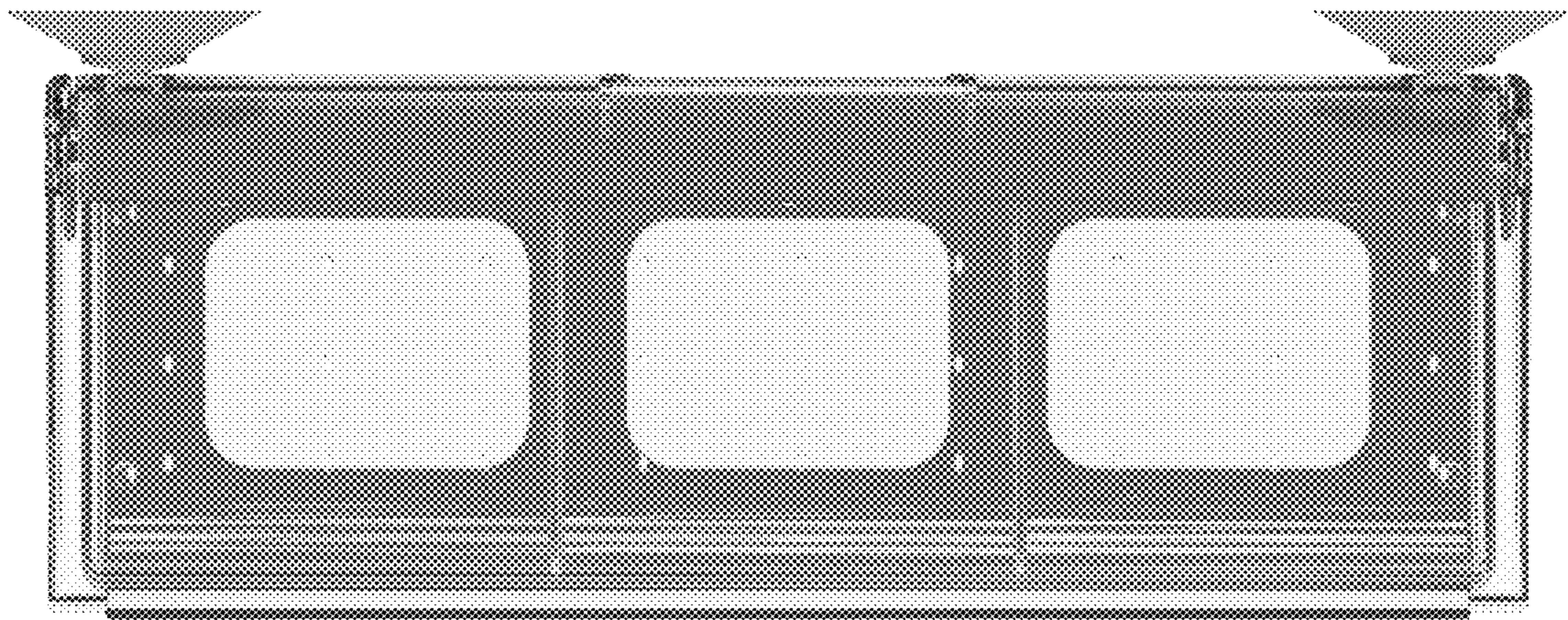


1.6

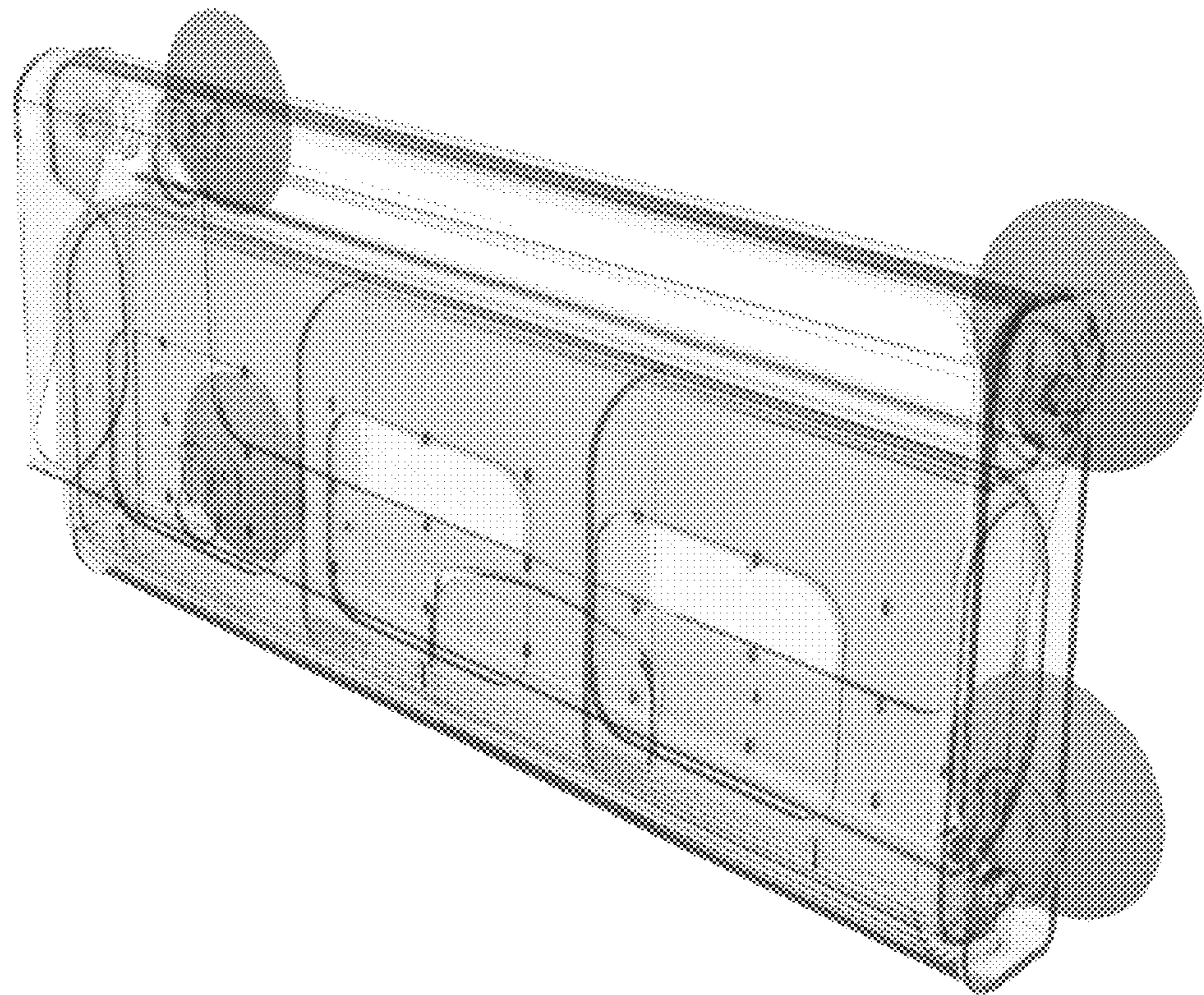




1.7

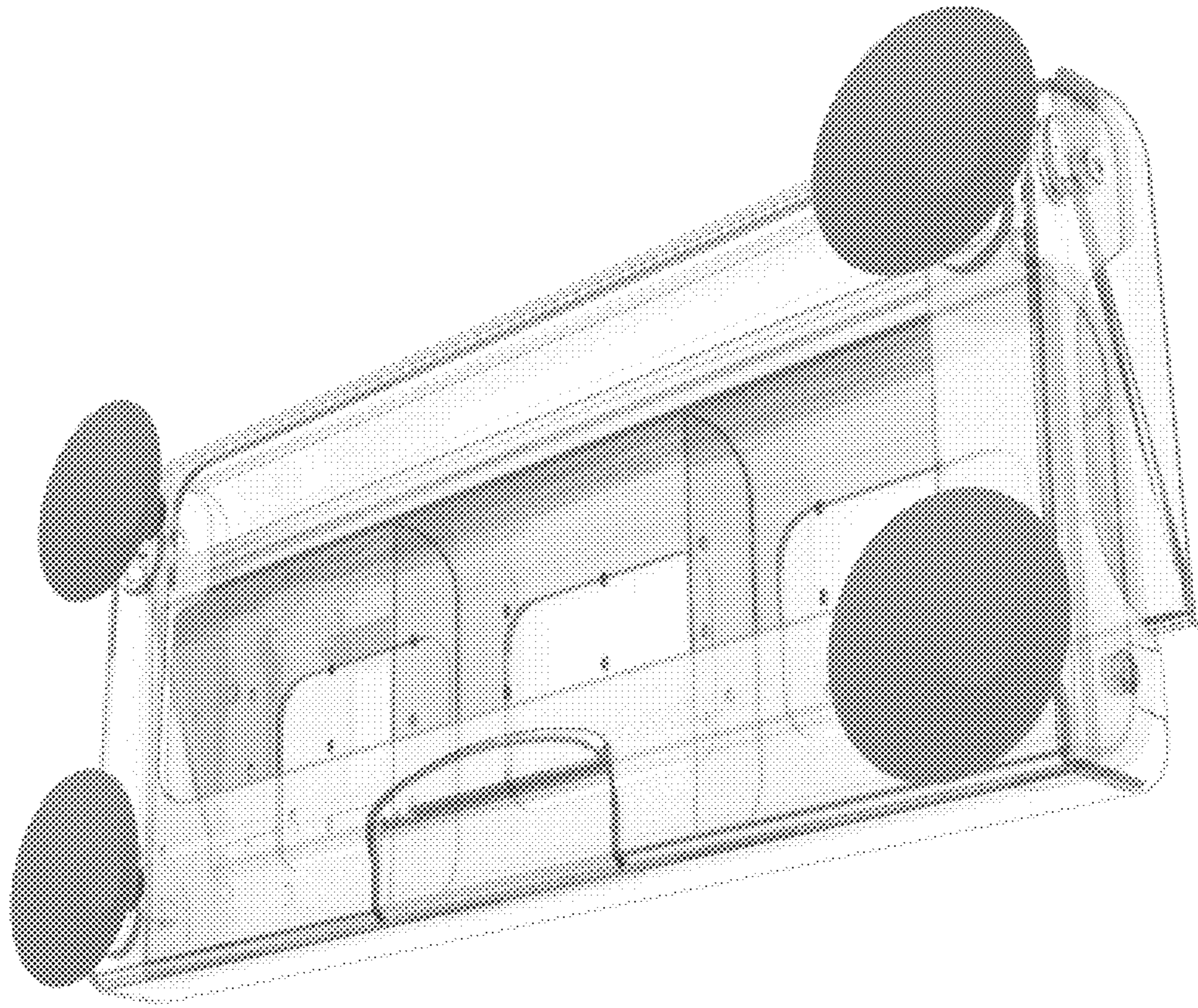


2.1

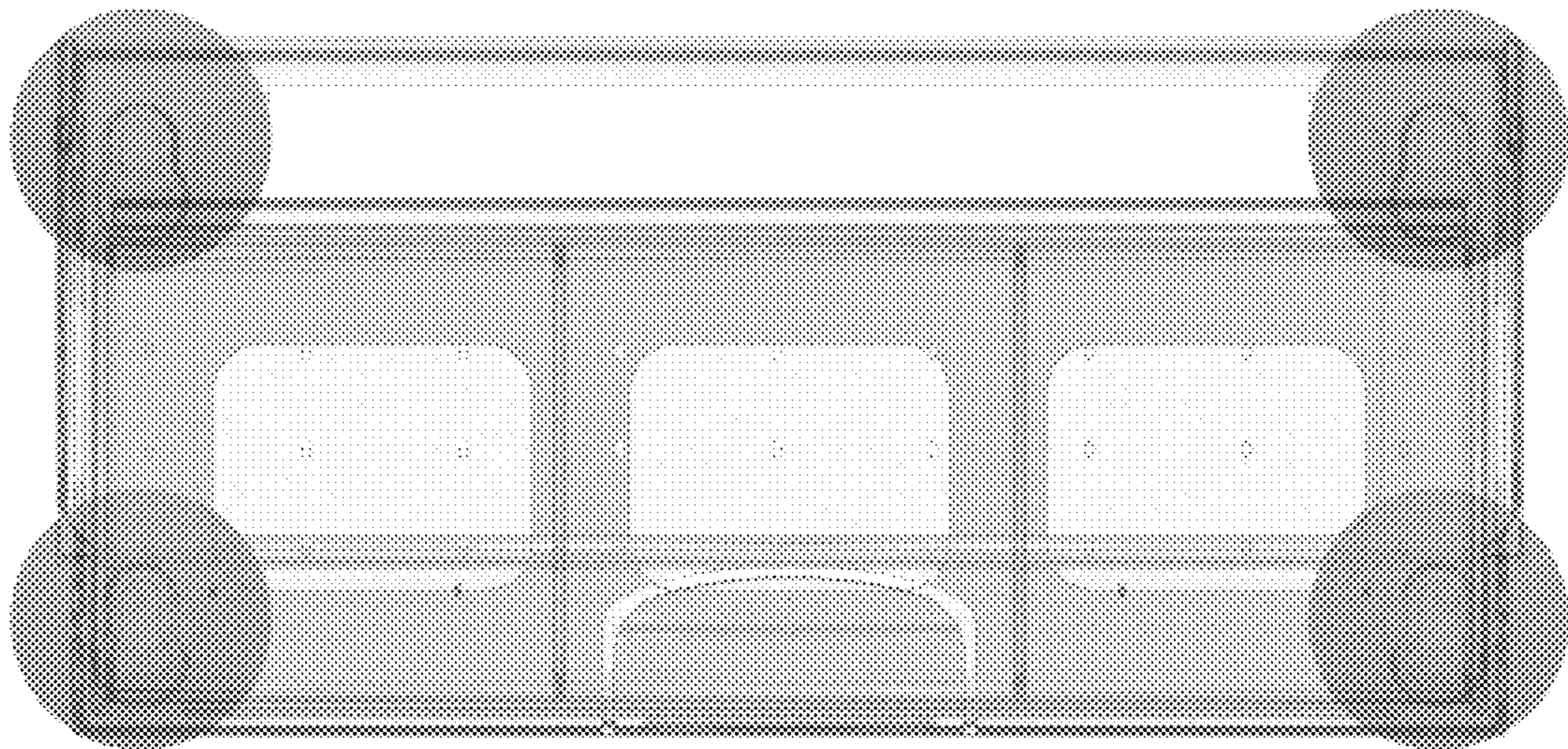




2.2

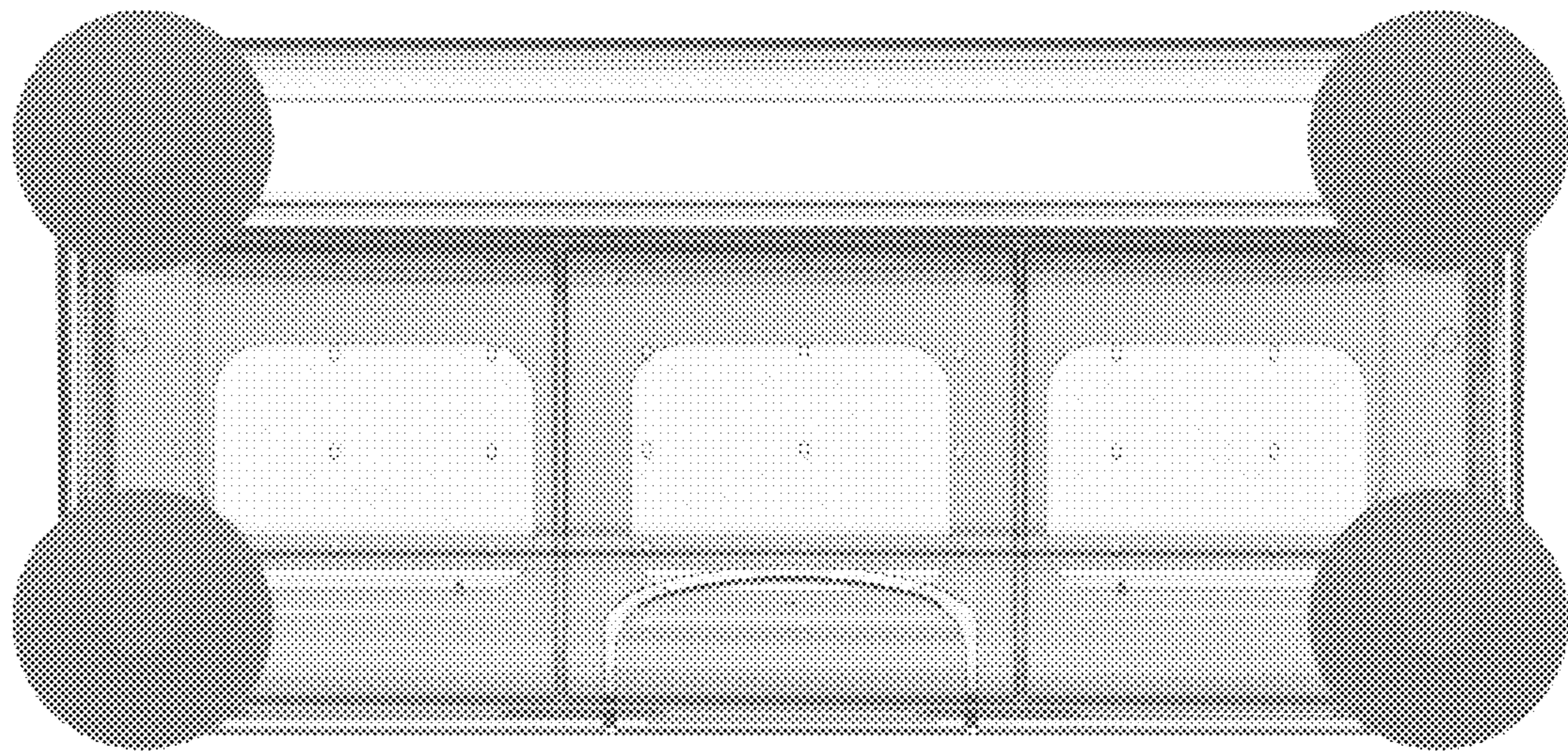


2.3

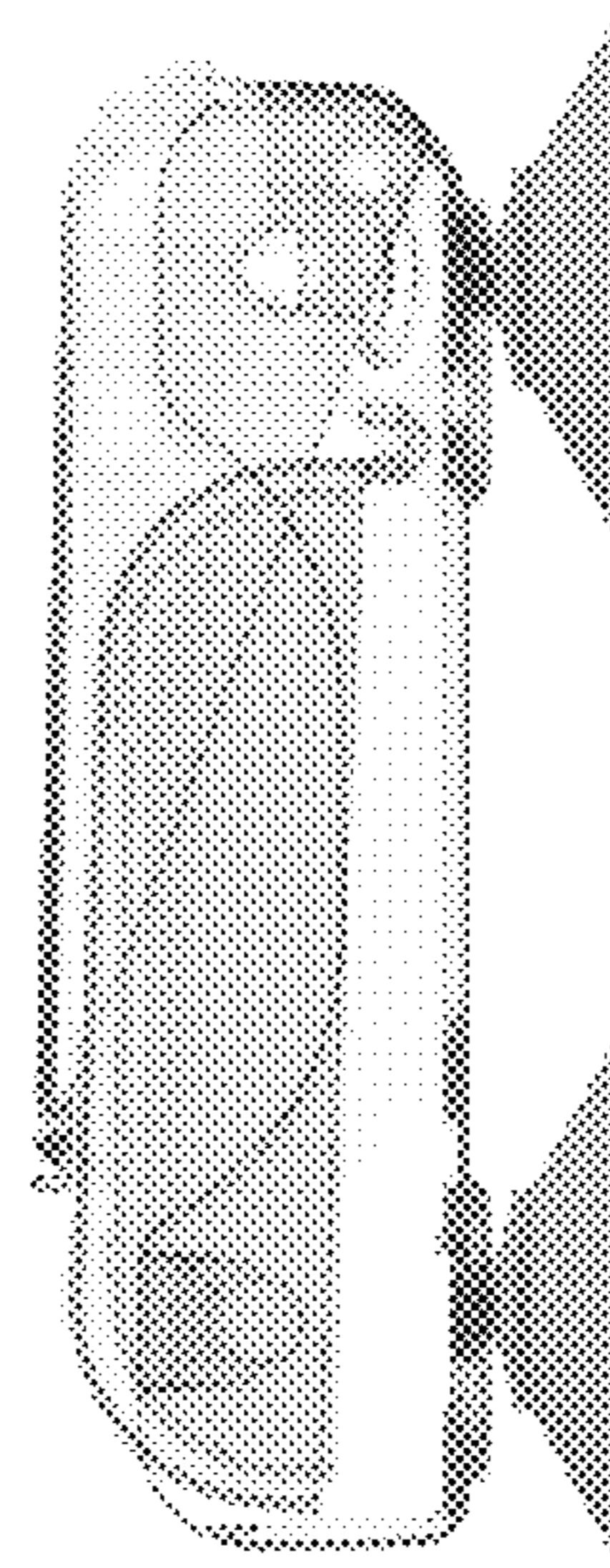




2.4

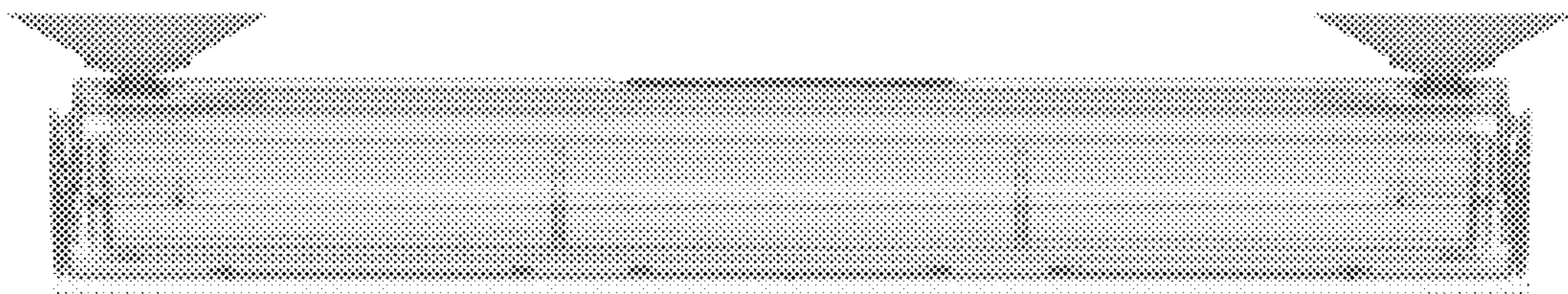


2.5





2.6



2.7

