



US00D927088S

(12) **United States Design Patent** (10) **Patent No.:** **US D927,088 S**
Valla (45) **Date of Patent:** **** Aug. 3, 2021**

(54) **BASKETBALL COURT PET BED**
(71) Applicant: **Joshua Valla**, Bellevue, NE (US)
(72) Inventor: **Joshua Valla**, Bellevue, NE (US)
(**) Term: **15 Years**
(21) Appl. No.: **29/690,650**
(22) Filed: **May 9, 2019**
(51) **LOC (13) Cl.** **30-01**
(52) **U.S. Cl.**
USPC **D30/118**
(58) **Field of Classification Search**
USPC D30/118-119, 158, 160; D21/520;
D6/601, 349, 595-597, 604, 382; D2/719
CPC A01K 1/00; A01K 1/0272; A01K 1/0353;
A01K 1/035
See application file for complete search history.

(56) **References Cited**
U.S. PATENT DOCUMENTS
D263,543 S * 3/1982 Daugherty D6/597
D325,306 S * 4/1992 Barfield D21/355
D365,486 S * 12/1995 Perry 5/946
5,472,548 A * 12/1995 Lindsay B44C 1/28
156/277
D373,148 S * 8/1996 Crow D21/357
5,882,271 A * 3/1999 Byrd A63C 19/02
473/472
D418,356 S * 1/2000 Davis D6/610
D420,400 S * 2/2000 Dunagin, III D21/339
D460,984 S * 7/2002 McGowan D19/113
D476,338 S * 6/2003 Mabbutt D14/458
D530,130 S * 10/2006 Counard D6/576
D584,965 S * 1/2009 Cowen D10/46.1
D597,361 S * 8/2009 Smith, Jr. D6/597
D597,362 S * 8/2009 Smith, Jr. D6/597
D597,422 S * 8/2009 Cowen D10/46.1
D600,044 S * 9/2009 Lester, Sr. D6/388
D605,718 S * 12/2009 Jenkins D21/698

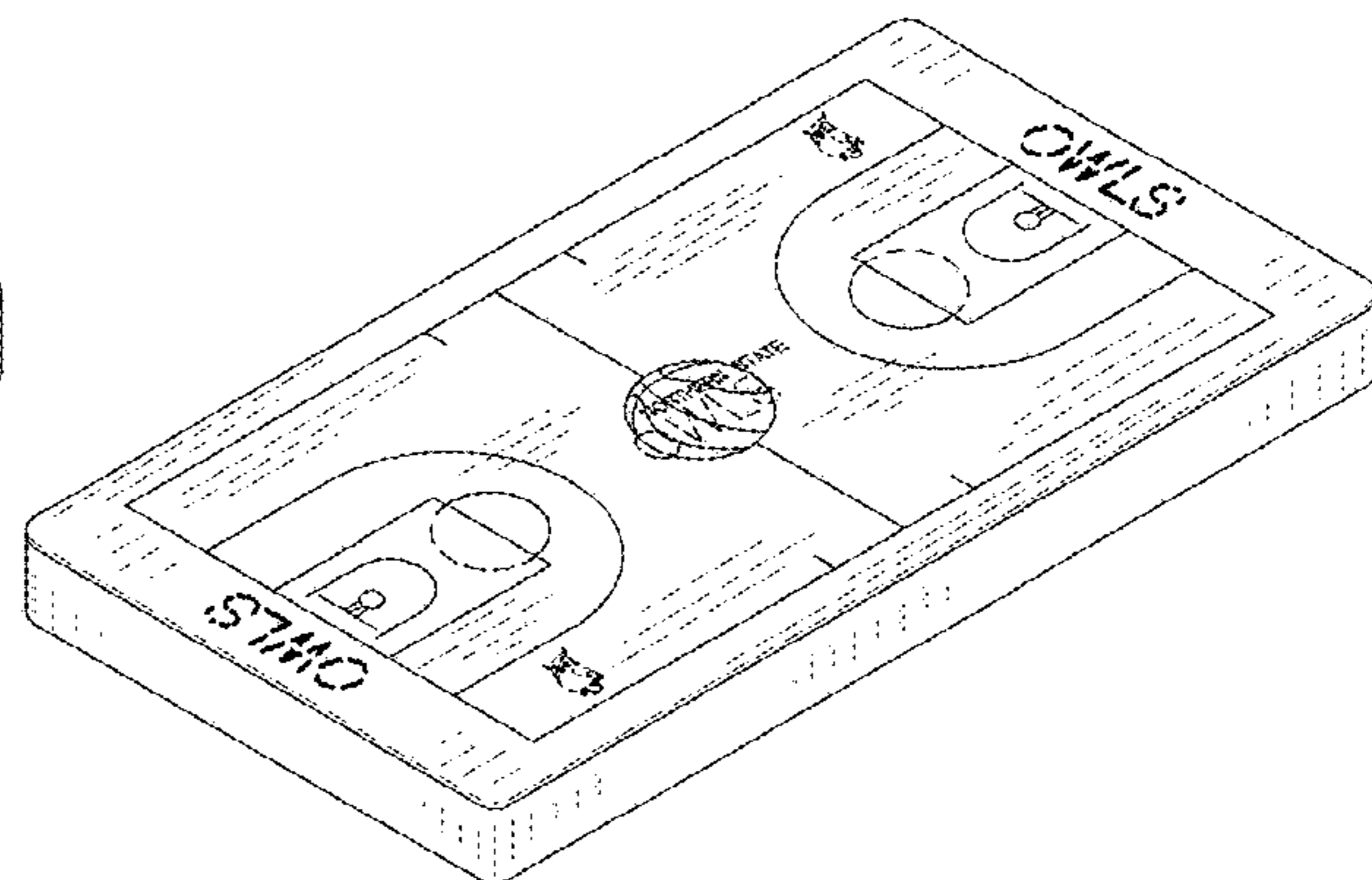
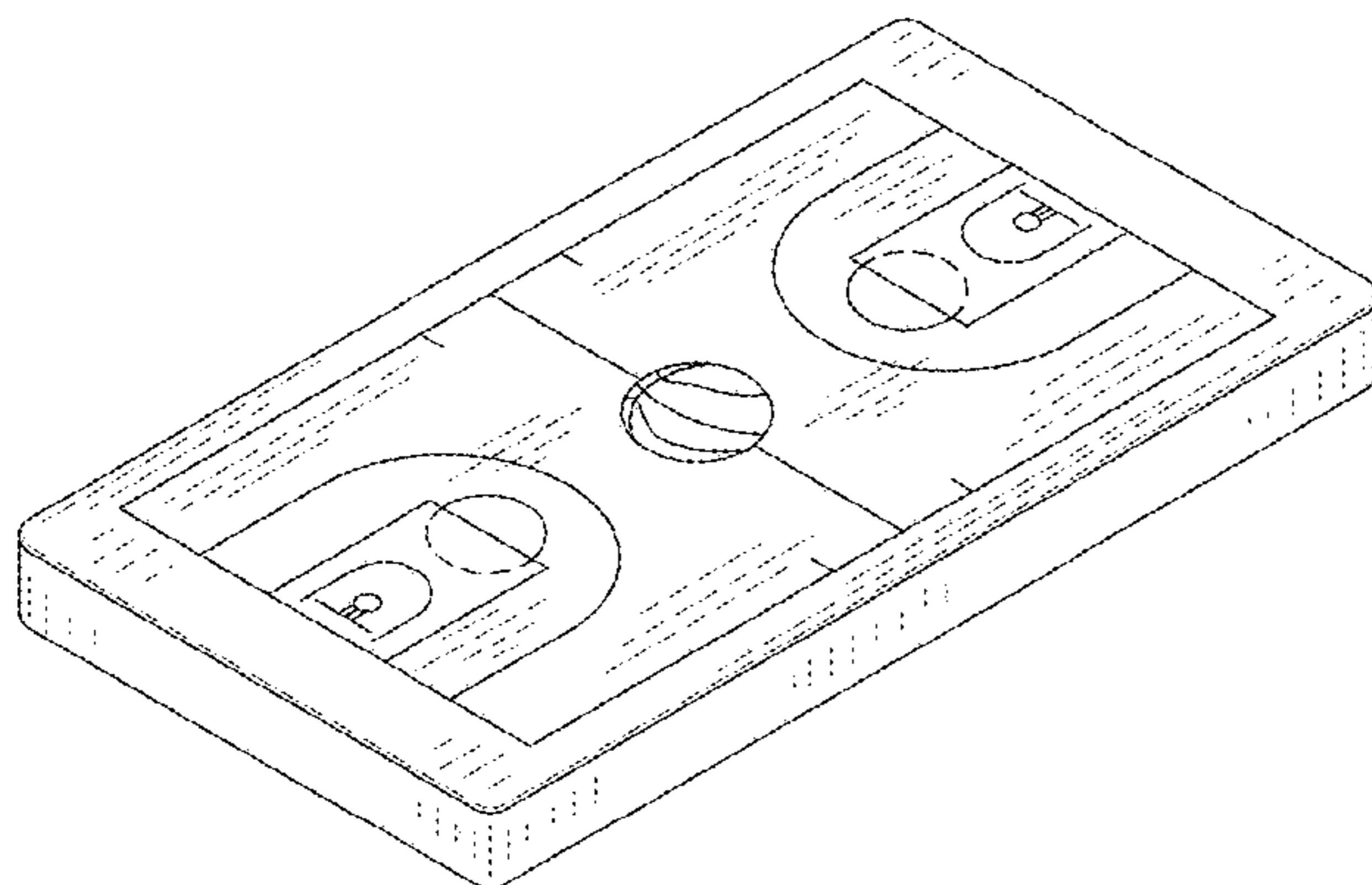
D696,472 S * 12/2013 Popkin D30/118
D703,877 S * 4/2014 Popkin D30/118
D721,774 S * 1/2015 Gamble D21/706
D728,168 S * 4/2015 Richardson D30/118
D730,587 S * 5/2015 Pellerin D30/118
D767,029 S * 9/2016 Foxcroft D19/88
D768,776 S * 10/2016 Foxcroft D19/113
2005/0224000 A1 * 10/2005 Holte A61F 5/01
119/28.5
2008/0235869 A1 * 10/2008 Steffes A47D 7/002
5/282.1

* cited by examiner
Primary Examiner — Sheryl Lane
Assistant Examiner — Aula Soroush
(74) *Attorney, Agent, or Firm* — Baird Holm LLP

(57) **CLAIM**
The ornamental design for a basketball court pet bed, as shown and described.

DESCRIPTION
FIG. 1 is a perspective view of a basketball court pet bed showing my new design.
FIG. 2 is a top view of the basketball court pet bed.
FIG. 3 is a front elevation view of the basketball court pet bed.
FIG. 4 is a right side elevation view of the basketball court pet bed.
FIG. 5 is a left side elevation view of the basketball court pet bed.
FIG. 6 is a rear elevation view of the basketball court pet bed.
FIG. 7 is a bottom view of the basketball court pet bed; and, FIG. 8 is another perspective view of the basketball court pet bed.
The broken lines shown in FIG. 8 show a logo that is illustrative of environmental structure and form no part of the claimed design.

1 Claim, 4 Drawing Sheets



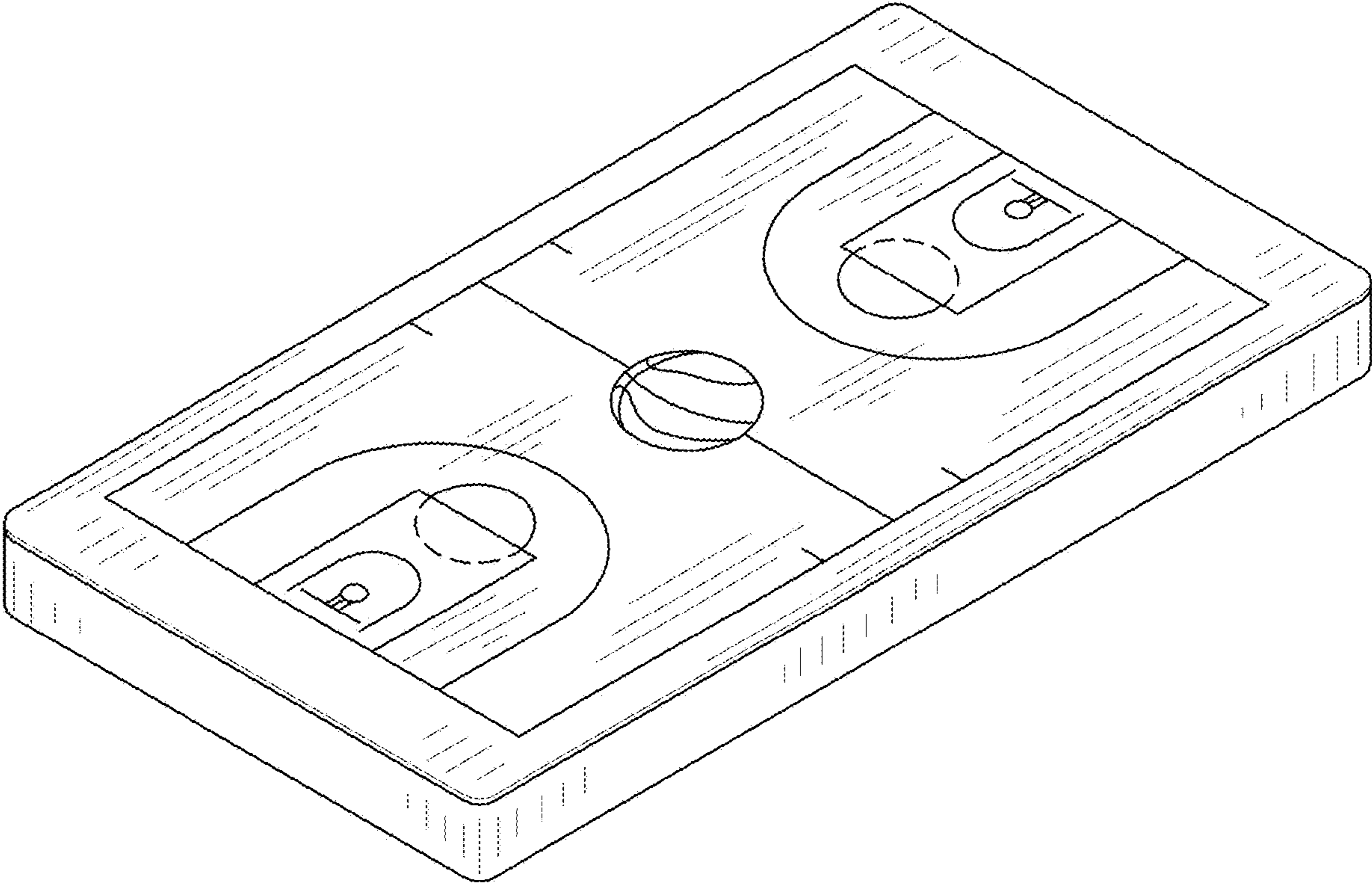


FIG. 1

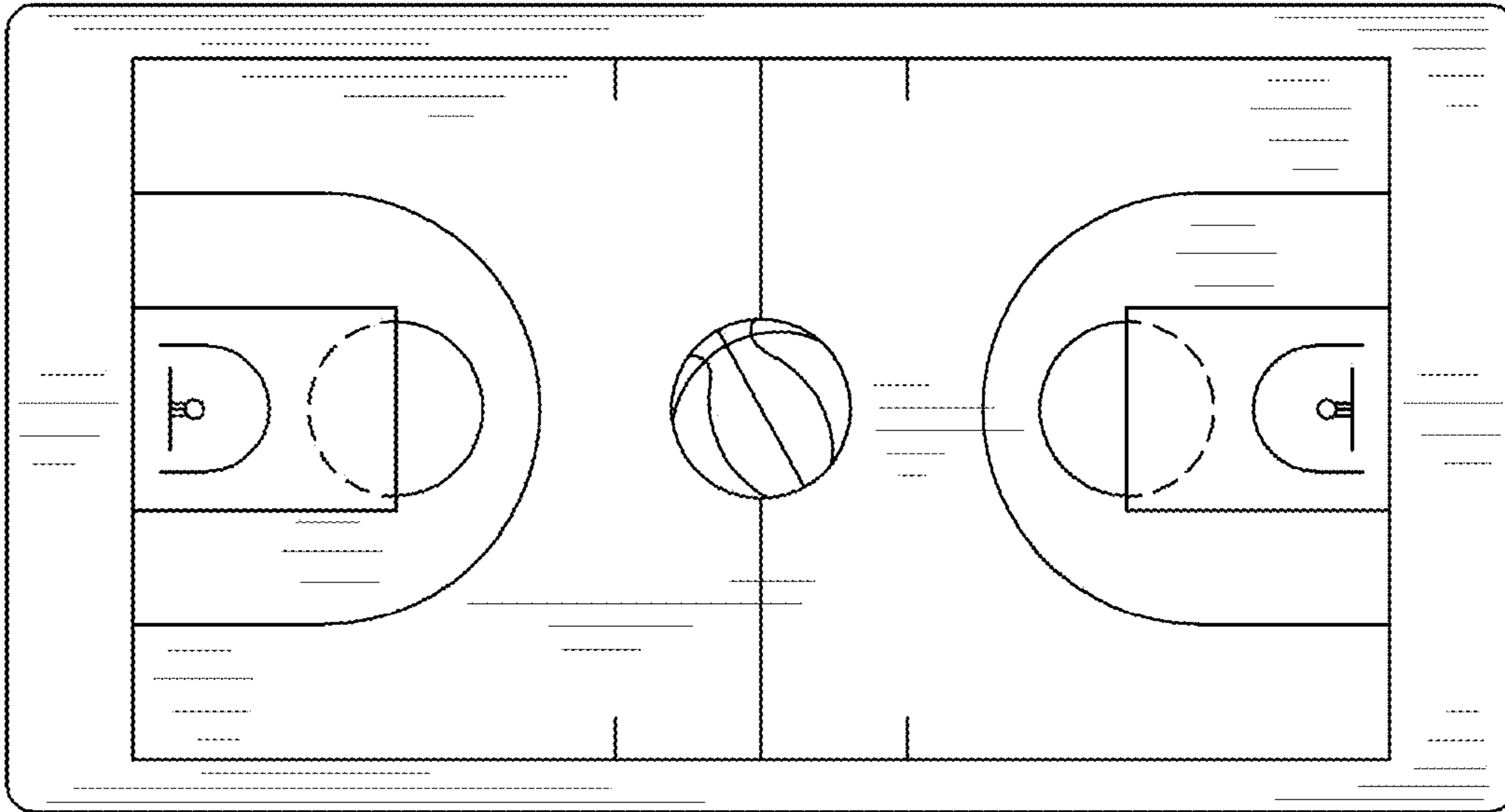


FIG. 2

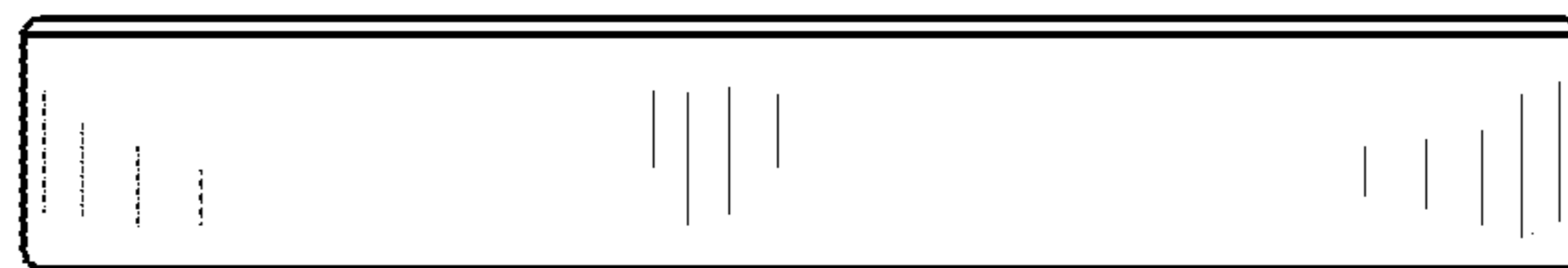


FIG. 3



FIG. 4

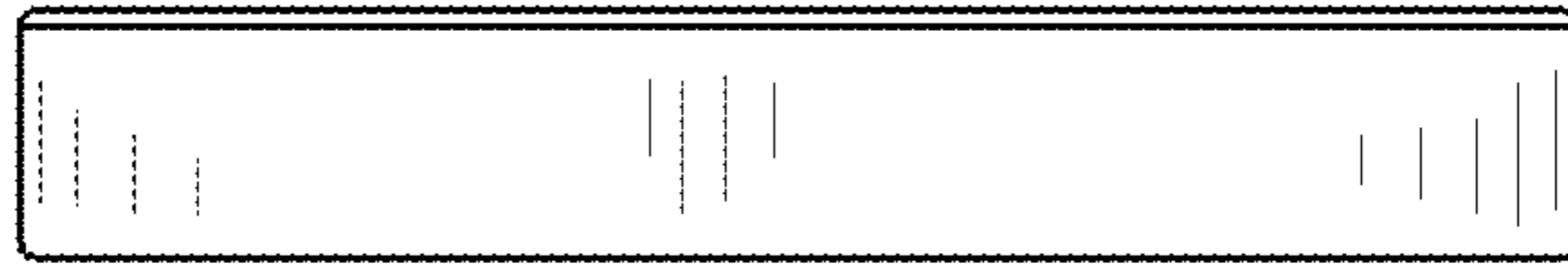


FIG. 5



FIG. 6



FIG. 7

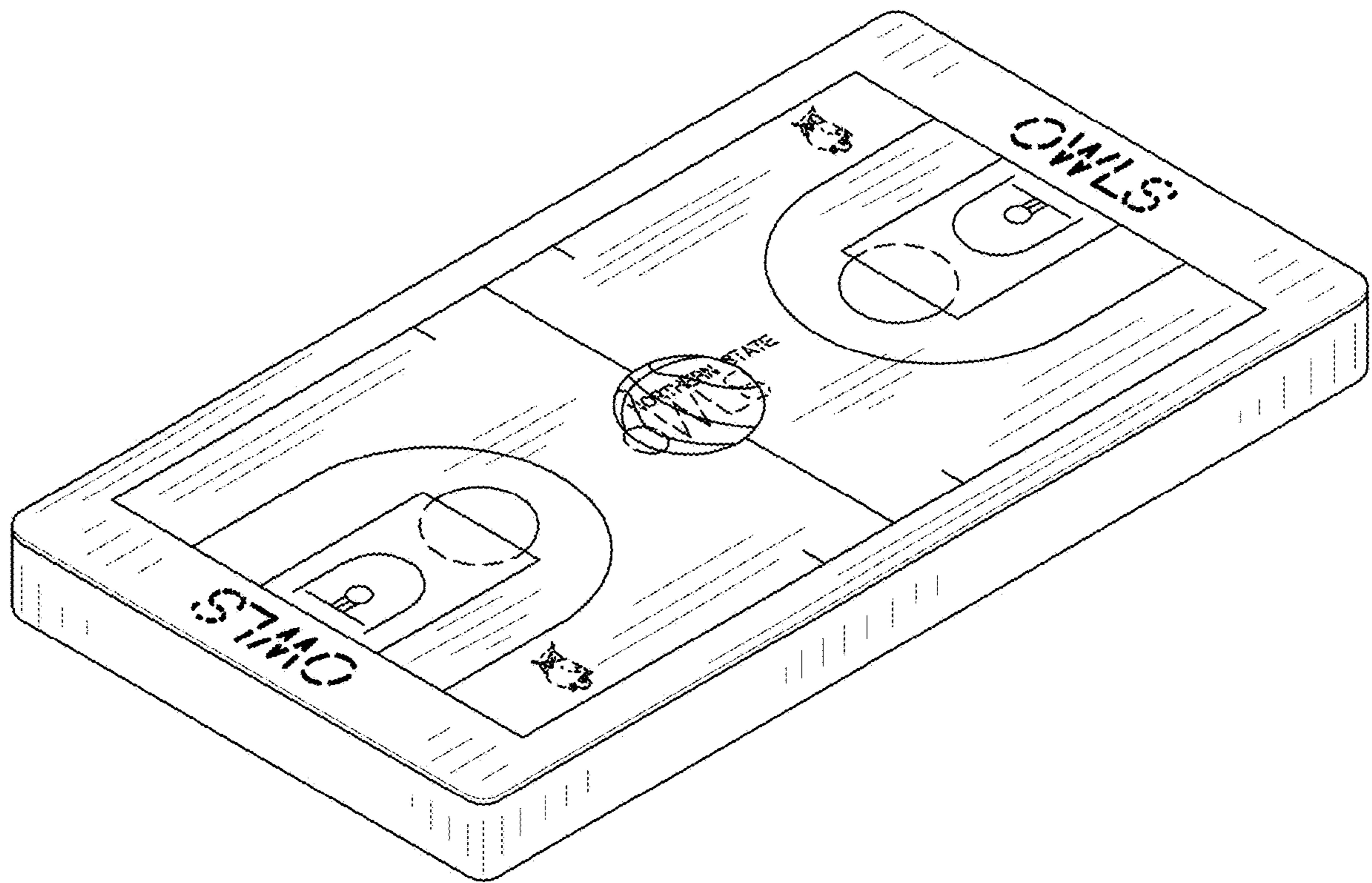


FIG. 8