



US00D927085S

(12) **United States Design Patent** (10) **Patent No.:** **US D927,085 S**
Ishii (45) **Date of Patent:** **** Aug. 3, 2021**

(54) **HELMET VISOR**

FOREIGN PATENT DOCUMENTS

(71) Applicant: **Masashi Ishii**, Tokyo (JP)

JP 1374230 10/2009
JP 1480629 8/2013

(72) Inventor: **Masashi Ishii**, Tokyo (JP)

(Continued)

(**) Term: **15 Years**

OTHER PUBLICATIONS

(21) Appl. No.: **29/688,575**

MotoSport.com, "6D Helmets ATR-1 Visor—Flight", first available 2017. (<https://www.motosport.com/6d-helmets-atr1-visor-flight>) (Year: 2017).*

(22) Filed: **Apr. 23, 2019**

(Continued)

(30) **Foreign Application Priority Data**

Mar. 8, 2019 (JP) 2019-004836

(51) **LOC (13) Cl.** **29-02**

Primary Examiner — April Rivas

(52) **U.S. Cl.**

Assistant Examiner — Justin A Johnson

USPC **D29/122**; D29/104

(74) *Attorney, Agent, or Firm* — Trojan Law Offices

(58) **Field of Classification Search**

USPC D2/865, 866, 867, 869, 870, 872, 873, D2/874, 878, 886, 887, 888, 891, 892, D2/893; D21/698, 788; D24/108, 110, D24/110.1, 110.2, 110.3, 110.4; D29/100, 102, 103, 104, 105, 106, 107, D29/108, 109, 110, 112, 122

(57) **CLAIM**

The ornamental design for a helmet visor, as shown and described.

CPC A41D 13/00; A41D 13/012; A41D 13/05; A41D 13/11; A41D 13/1107; A41D 13/1138; A41D 13/1161; A41D 13/1176; A42B 1/00; A42B 1/002; A42B 3/00; A42B 3/0406; A42B 3/06; A42B 3/066; A42B 3/16; A42B 3/18; A42B 3/20; A42B 3/22; A42B 3/221; A42B 3/222; A42B 3/226; A42B 3/227; A42B 3/28; A42B 3/32; A42B 3/322; A42B 3/324; A41B 1/0181; A41B 1/0184; A41B 1/02; A63B 2243/007

DESCRIPTION

FIG. 1 is a perspective view of a helmet visor showing my new design.

FIG. 2 is a front view of the helmet visor shown in FIG. 1.

FIG. 3 is a rear view of the helmet visor shown in FIG. 1.

FIG. 4 is a side view of the helmet visor shown in FIG. 1.

FIG. 5 is a top view of the helmet visor shown in FIG. 1; and,

FIG. 6 is a bottom view of the helmet visor shown in FIG. 1.

1.

The long and short broken lines define the bounds of the claimed design and form no part thereof.

The evenly spaced broken lines show portions of the helmet visor that form no part of the claimed design.

See application file for complete search history.

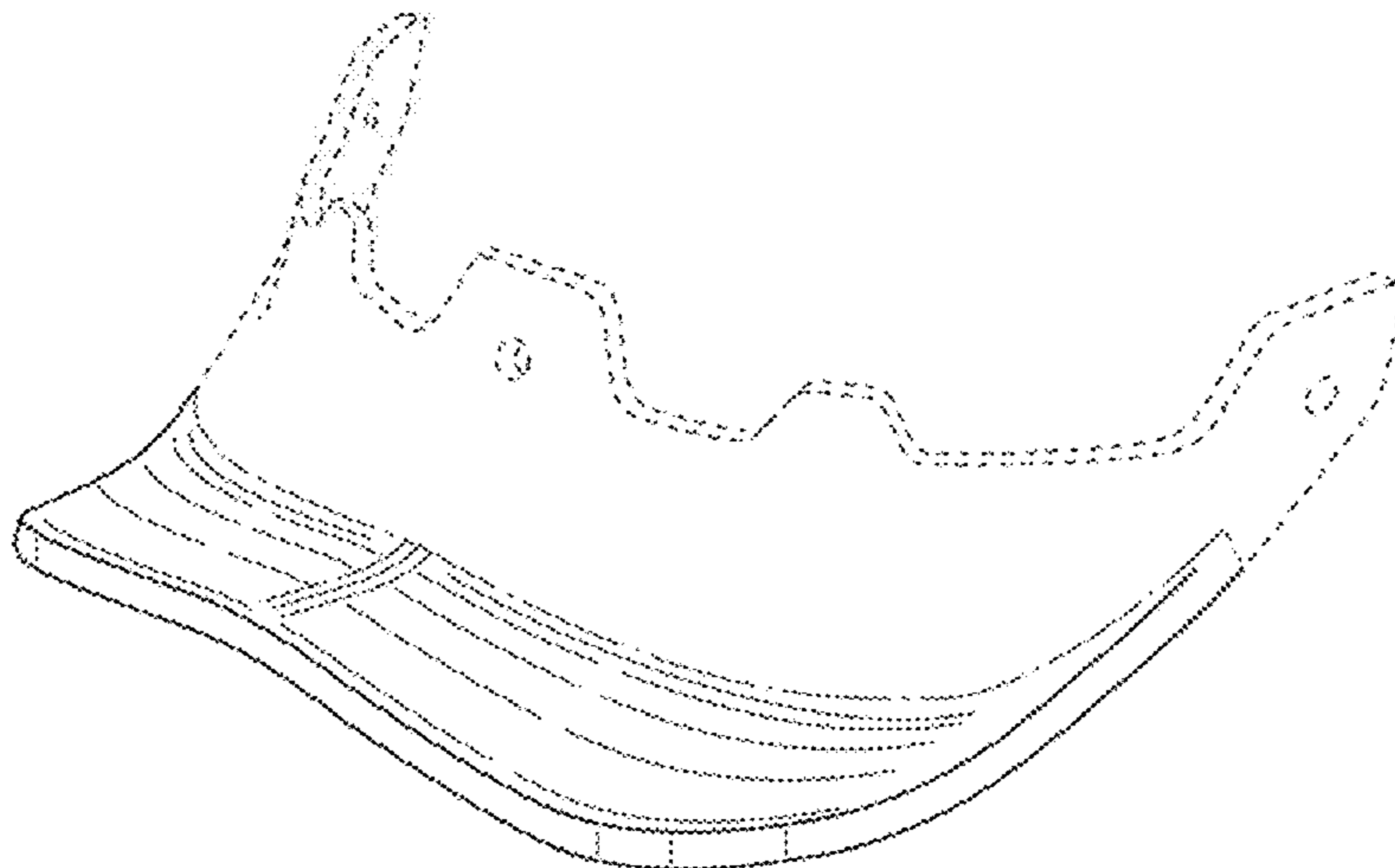
(56) **References Cited**

U.S. PATENT DOCUMENTS

D303,852 S * 10/1989 Lee D29/109
D327,752 S * 7/1992 Lee D29/109
D360,708 S * 7/1995 Palmaer D29/104

(Continued)

1 Claim, 6 Drawing Sheets



(56)

References Cited

U.S. PATENT DOCUMENTS

D427,381 S 6/2000 Ho
 D455,523 S 4/2002 Yungblut
 D499,213 S 11/2004 Lee
 D507,093 S * 7/2005 Burmester D2/893
 D553,331 S * 10/2007 Henson D2/869
 D572,880 S * 7/2008 Leedom D2/891
 D677,434 S * 3/2013 Arai D29/109
 D724,821 S * 3/2015 Kim D2/892
 D729,460 S 5/2015 Hendl
 D745,224 S * 12/2015 Wako D29/122
 D846,200 S * 4/2019 Wako D29/122
 D880,077 S * 3/2020 Ishii D29/122
 D912,330 S * 3/2021 Fukuyama A42B 3/32
 2015/0135416 A1 * 5/2015 Hendl A42B 3/32
 2/424

FOREIGN PATENT DOCUMENTS

JP 1520038 2/2015
 JP 1522780 3/2015

OTHER PUBLICATIONS

Bitwell, "Moto Visor", first available Apr. 1, 2020. (<https://www.bitwellinc.com/products/moto-visor-black>) (Year: 2020).*

Shift, "White Helmet Visor", first accessed Mar. 22, 2021. (<https://www.shiftmx.com/white-helmet-visor/21337.html?lang=US>) (Year: 2021).*

Revzilla, "6D Helmets ATR-1 Replacement Visor-Solid", first accessed Mar. 22, 2021. (https://www.revzilla.com/dirt-bike/6d-helmets-atr-1-replacement-visor-solid?gclid=EAlaIQobChMI_s6W3Mm37wIVUdyGCh2e4gq4EAkYBCABEgldlvD_BwE&skuid=1483192) (Year: 2021).*

* cited by examiner

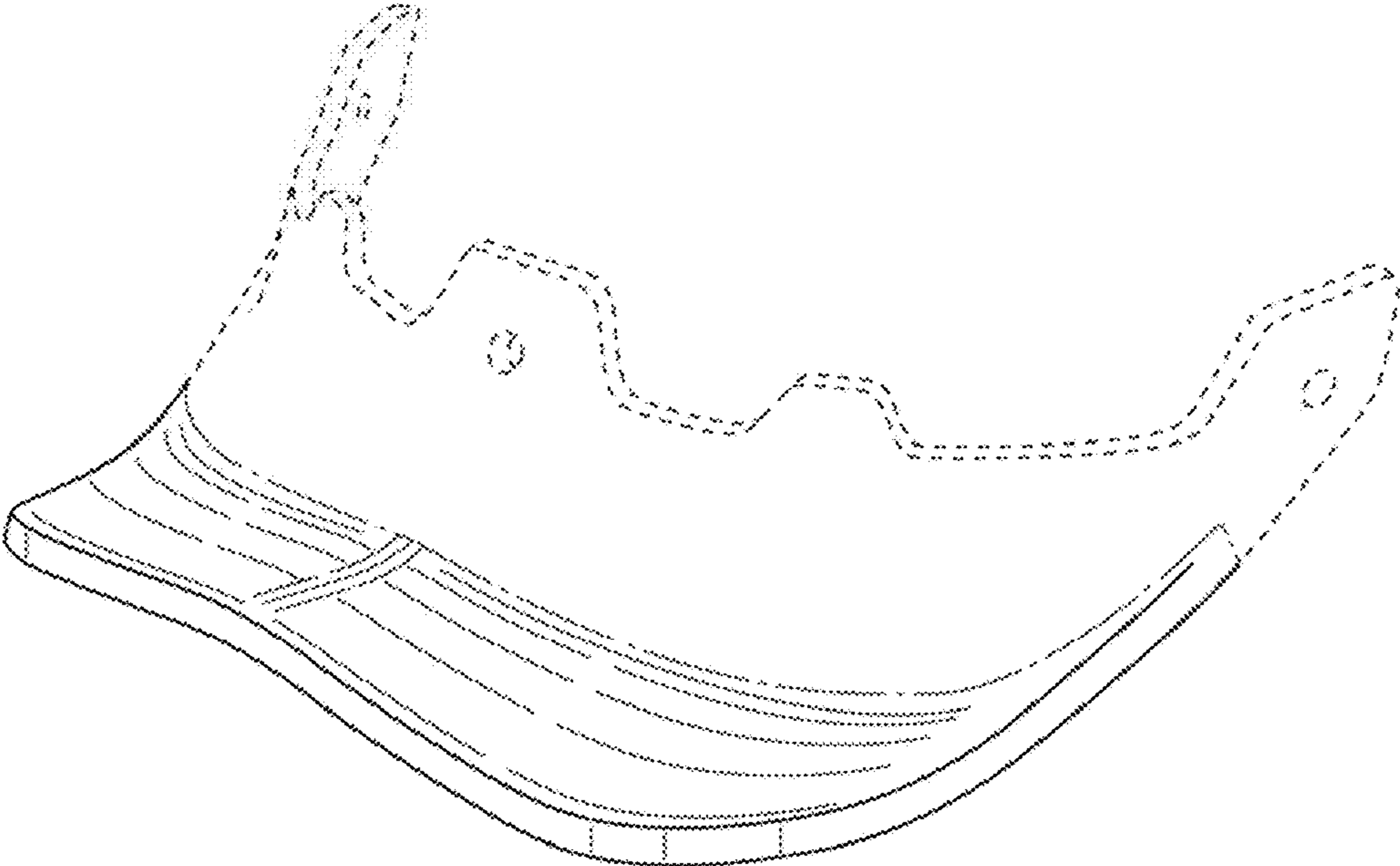


Fig. 1

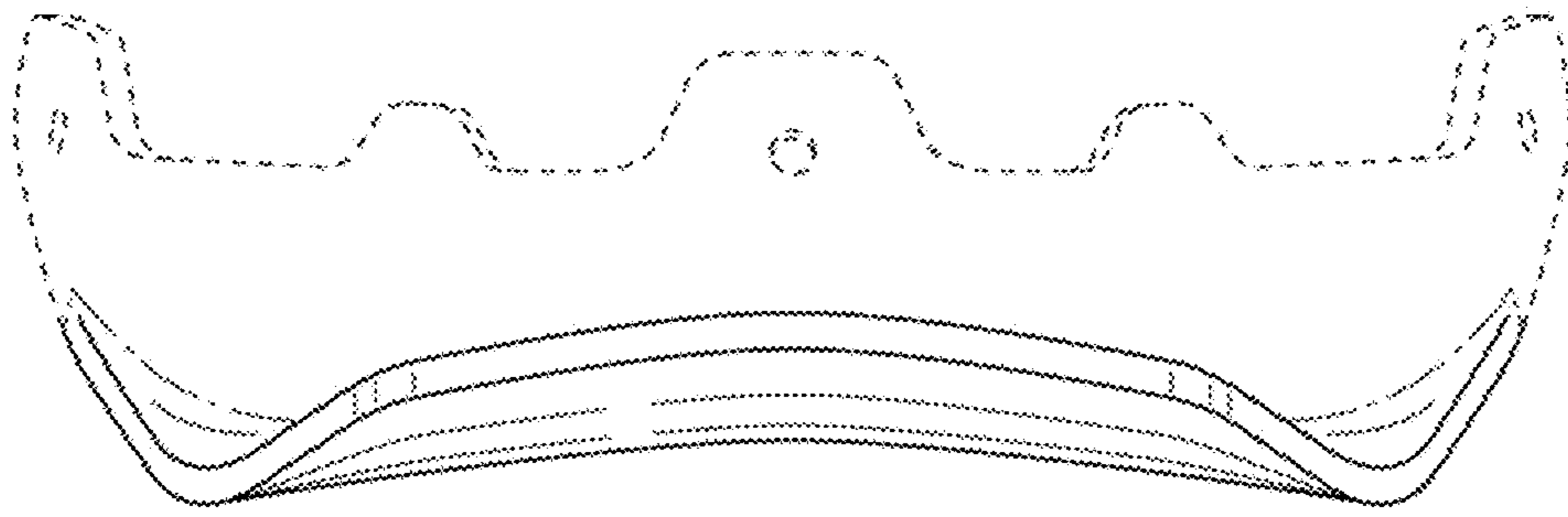


Fig. 2

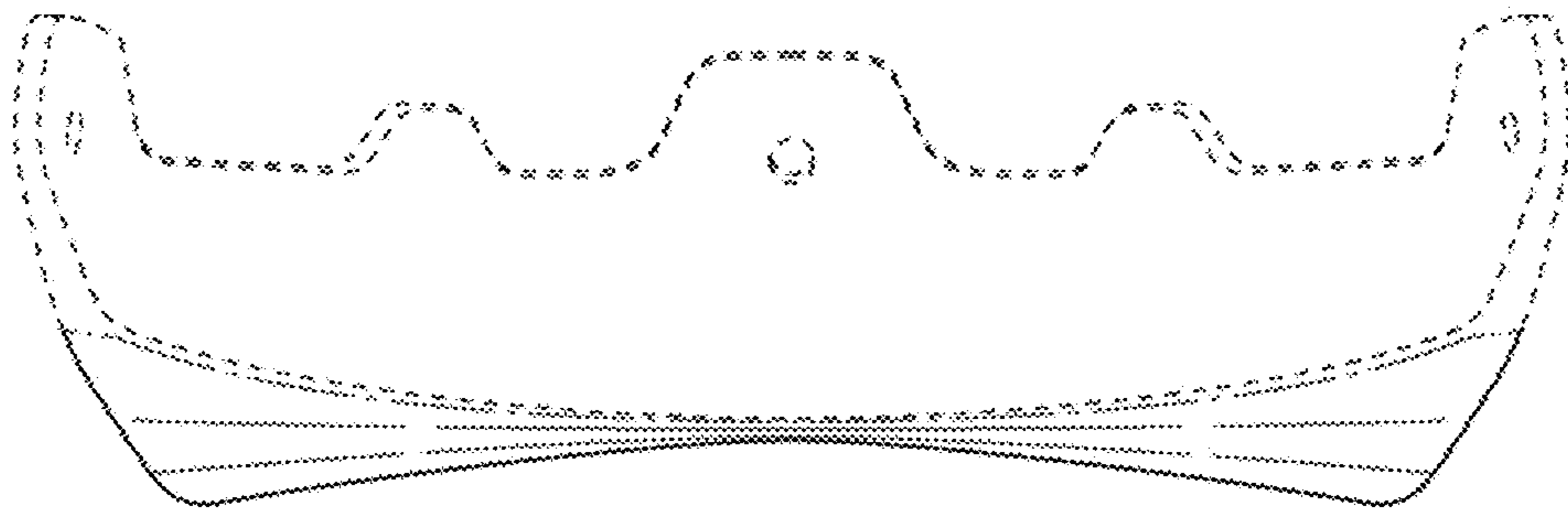


Fig. 3

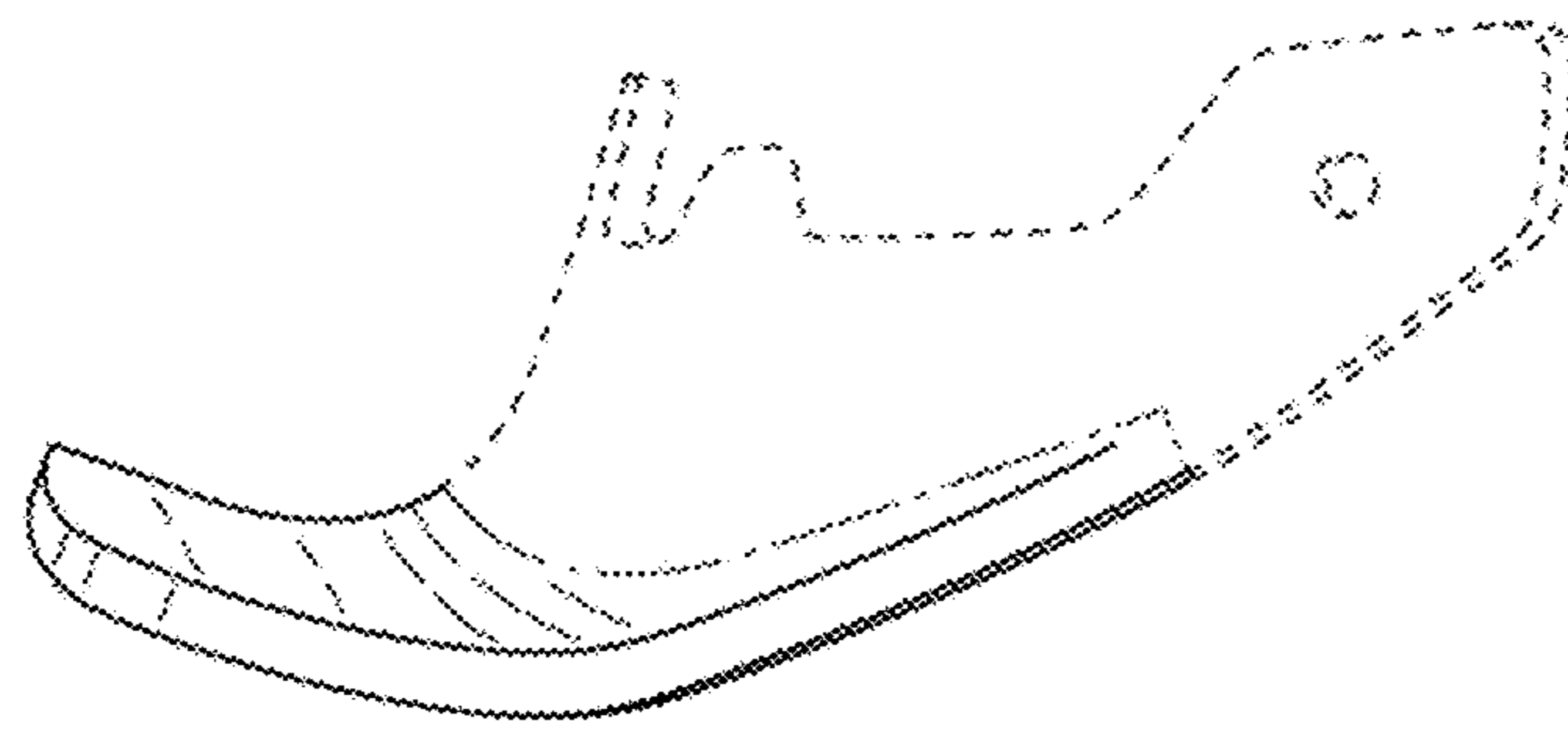


Fig. 4

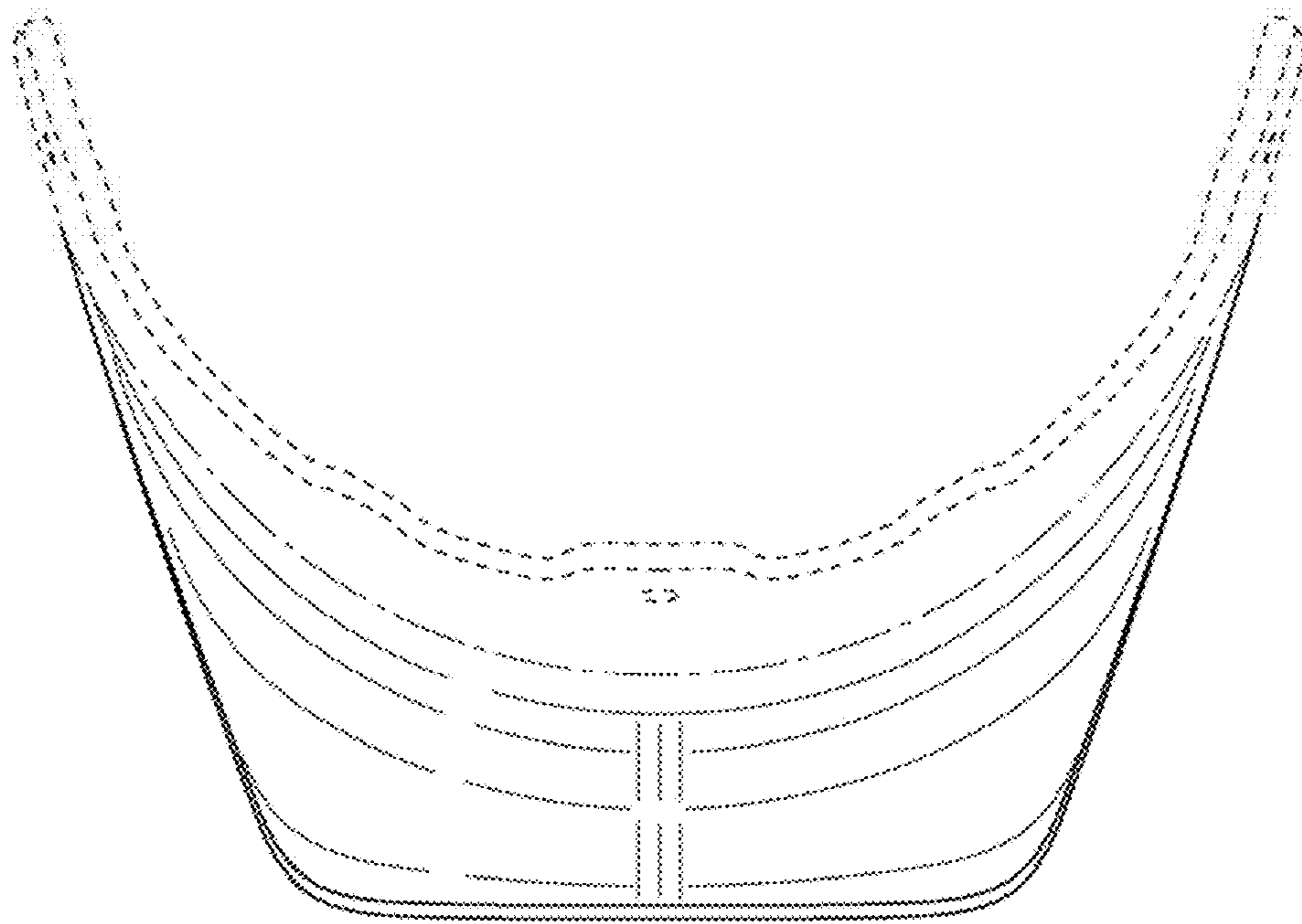


Fig. 5

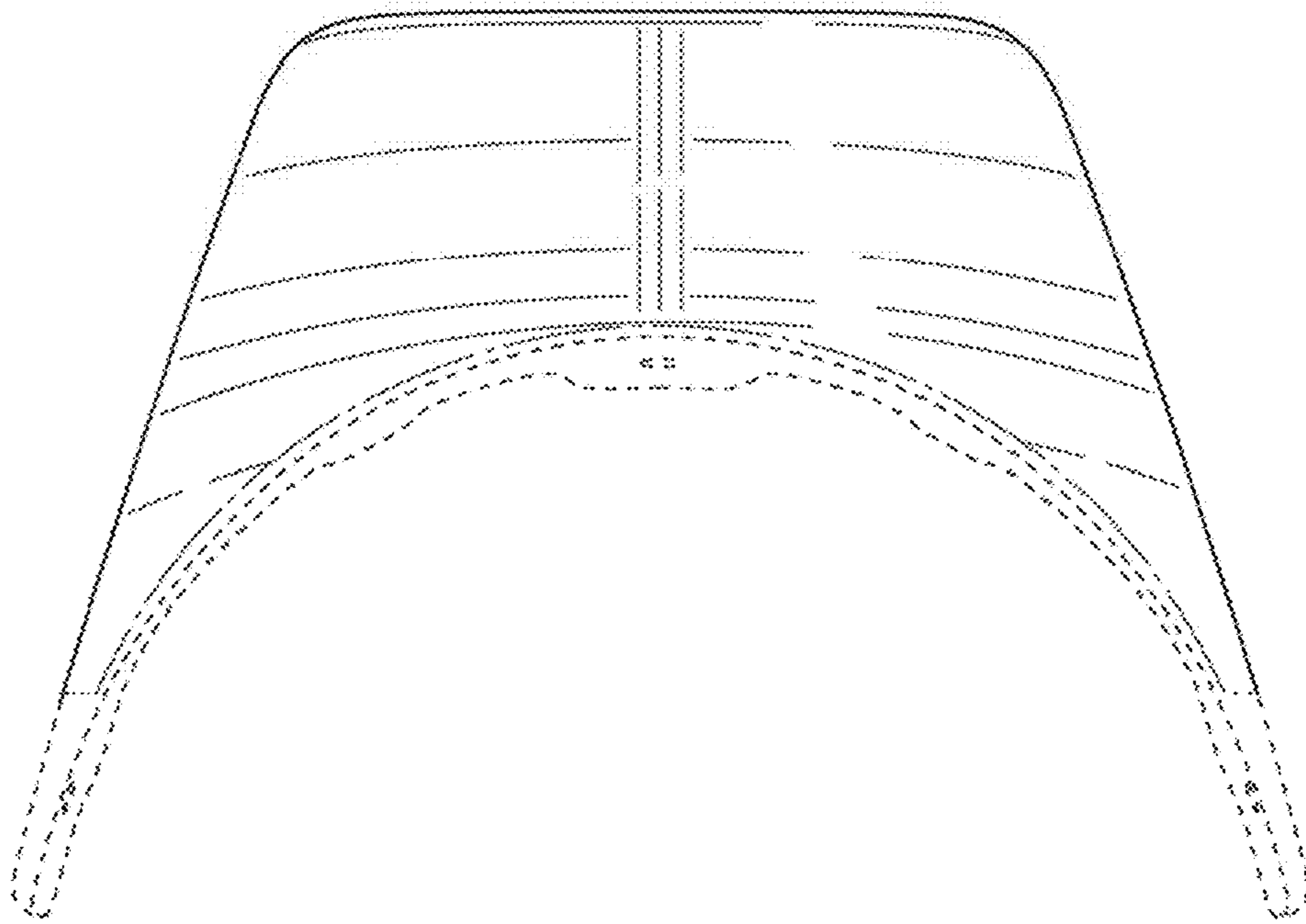


Fig. 6