



US00D927082S

(12) **United States Design Patent**
Jia

(10) **Patent No.:** **US D927,082 S**

(45) **Date of Patent:** **** Aug. 3, 2021**

- (54) **WELDING HELMET**
- (71) Applicant: **Weidong Jia**, Jiangsu (CN)
- (72) Inventor: **Weidong Jia**, Jiangsu (CN)
- (73) Assignee: **Jiangsu Meixin Optoelectronics Technology Co., Ltd**, Jiangsu (CN)
- (**) Term: **15 Years**
- (21) Appl. No.: **29/715,337**
- (22) Filed: **Dec. 2, 2019**
- (30) **Foreign Application Priority Data**

Aug. 9, 2019 (CN) 201930431084.8

- (51) **LOC (13) Cl.** **29-02**
- (52) **U.S. Cl.**
USPC **D29/110**
- (58) **Field of Classification Search**
USPC D29/102, 103, 106, 107, 108, 110, 122
CPC .. A42B 3/225; A42B 3/18; A42B 3/28; A42B 3/281; A42B 3/288; A61F 9/06; A61F 9/061; A61F 9/062; A61F 9/063; A61F 9/064; A61F 9/065; A61F 9/067; A61F 9/068; B23K 9/322

See application file for complete search history.

(56) **References Cited**

U.S. PATENT DOCUMENTS

- D393,933 S * 4/1998 Huh D29/110
- D398,421 S * 9/1998 Crafoord D29/110
- D489,492 S * 5/2004 Wu D29/110
- 6,973,672 B2 * 12/2005 Huh A61F 9/067
2/8.1
- D521,190 S * 5/2006 Wu D29/110
- D585,604 S * 1/2009 Martin D29/110
- 8,381,312 B2 * 2/2013 Seo A61F 9/064
2/8.4

- D700,402 S * 2/2014 Zhou D29/110
- 8,659,509 B2 * 2/2014 Huh A61F 9/067
345/7
- D728,163 S * 4/2015 Zhou D29/110
- D779,128 S * 2/2017 Patel D29/107
- 10,016,008 B2 * 7/2018 Sommers A61F 9/06
- D834,259 S * 11/2018 Huang D29/110
- D857,303 S * 8/2019 Yang D29/110
- 10,555,836 B2 * 2/2020 Wu G02B 27/0172
- 10,667,952 B2 * 6/2020 Magnusson A61F 9/067
- 2004/0117888 A1 * 6/2004 Wang-Lee A61F 9/06
2/8.1
- 2007/0080621 A1 * 4/2007 Huh B23K 9/32
313/402
- 2010/0132086 A1 * 6/2010 Huh A61F 9/067
2/8.2
- 2017/0035615 A1 * 2/2017 Yang A61F 9/06
- 2018/0280197 A1 * 10/2018 Patel A61F 9/067
- 2019/0262178 A1 * 8/2019 Hansson G02B 7/00

(Continued)

FOREIGN PATENT DOCUMENTS

RU 00121621 * 9/2020

Primary Examiner — Kimberly Barnes

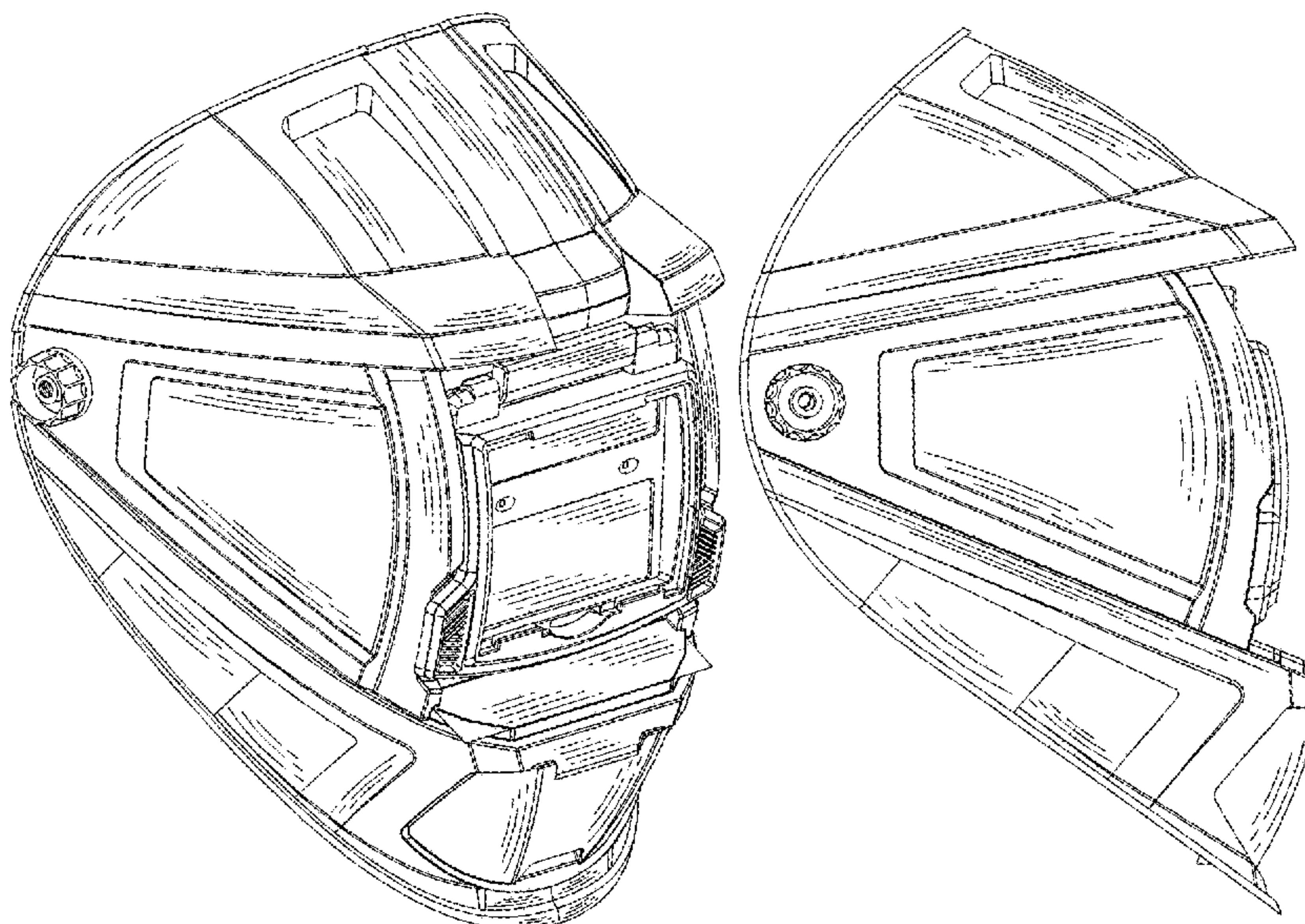
(57) **CLAIM**

The ornamental design for a welding helmet, as shown and described.

DESCRIPTION

FIG. 1 is a perspective view of a welding helmet showing my new design;
 FIG. 2 is a front elevational view thereof;
 FIG. 3 is a rear elevational view thereof;
 FIG. 4 is a left side elevational view thereof;
 FIG. 5 is a right side elevational view thereof;
 FIG. 6 is a top plan view thereof; and,
 FIG. 7 is a bottom plan view thereof.
 The portions of the welding helmet shown in broken lines form no part of the claimed design.

1 Claim, 7 Drawing Sheets



(56)

References Cited

U.S. PATENT DOCUMENTS

2020/0289323 A1* 9/2020 Daniels A61F 9/064
2020/0368067 A1* 11/2020 Wu A61F 9/067

* cited by examiner

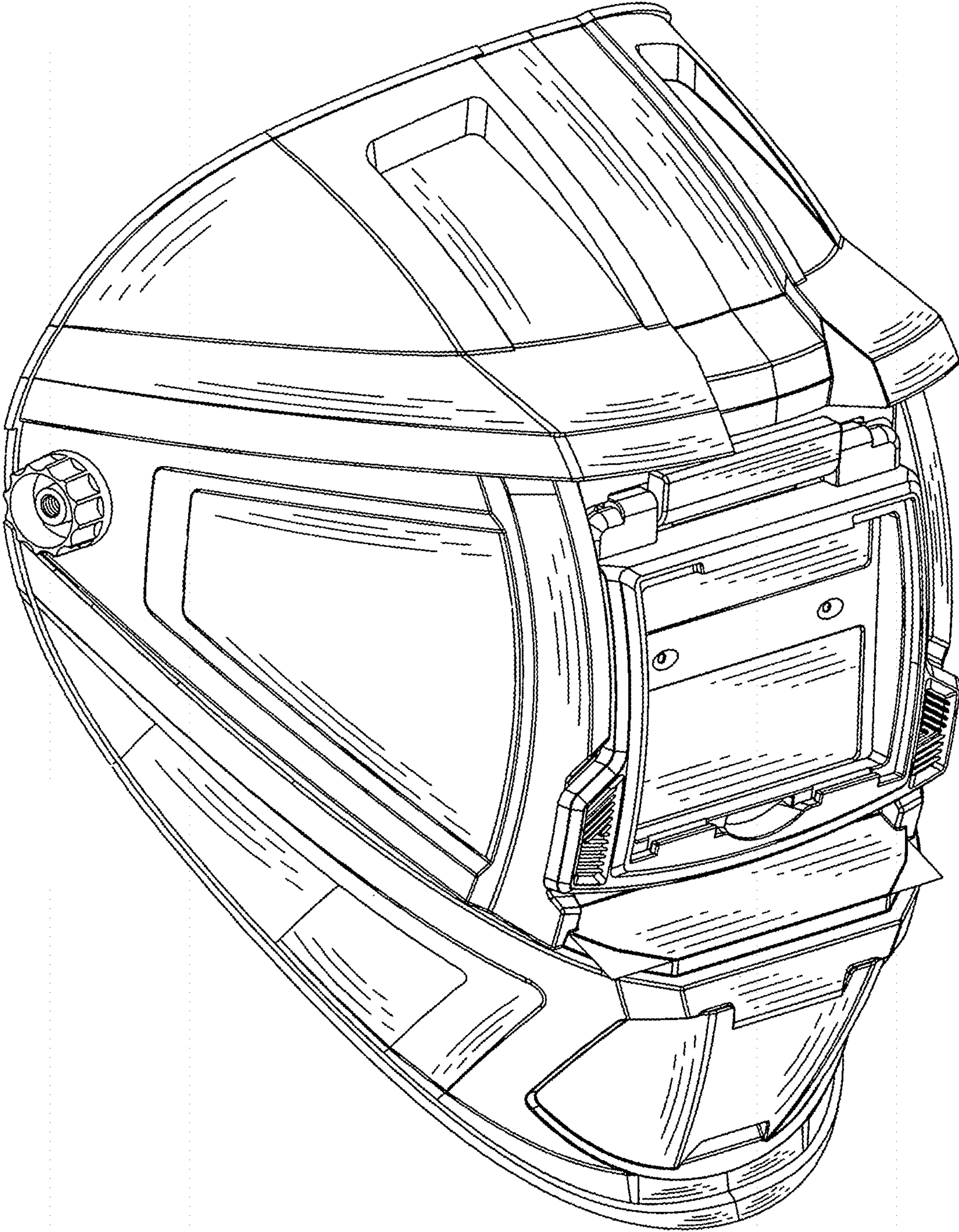


FIG. 1

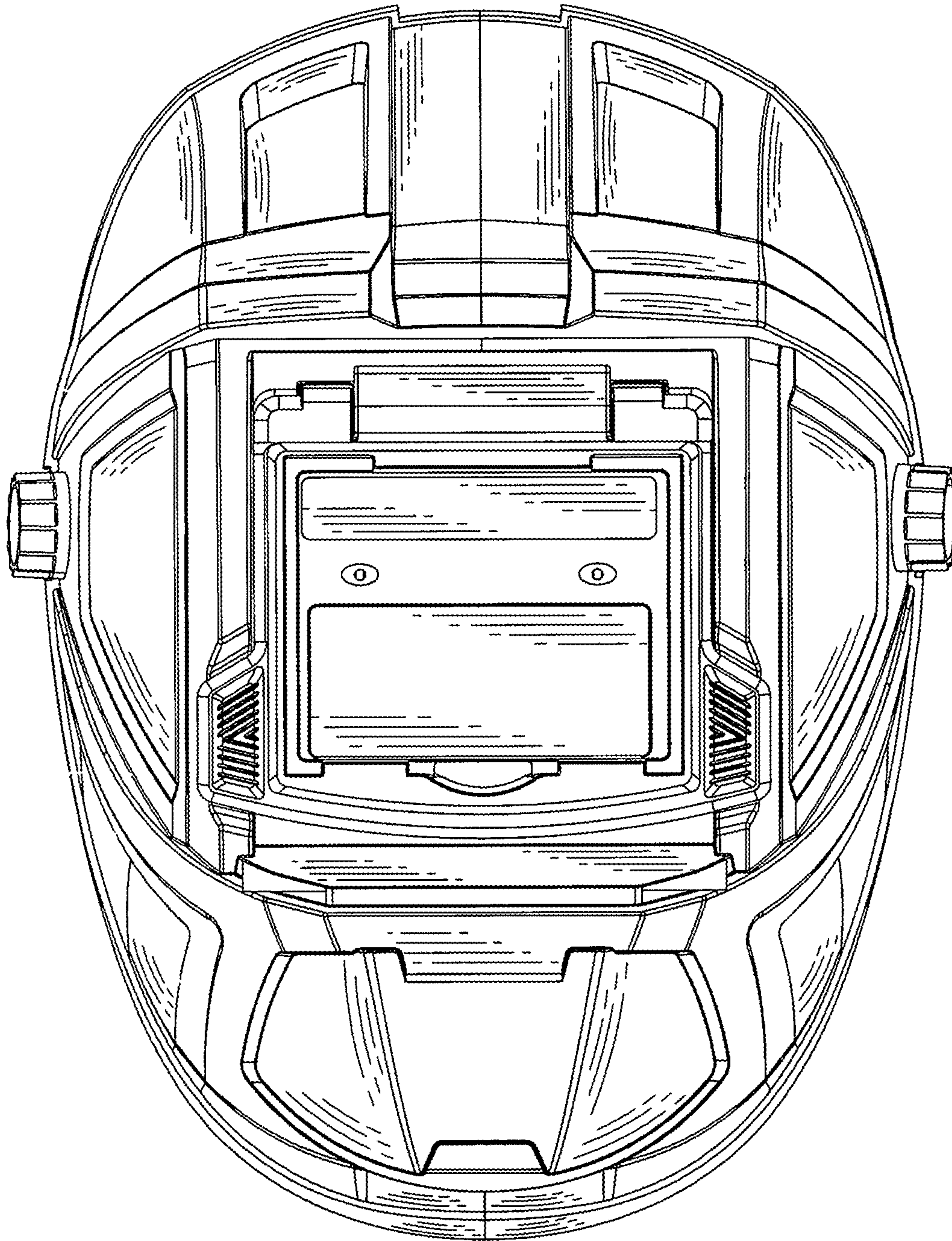


FIG. 2

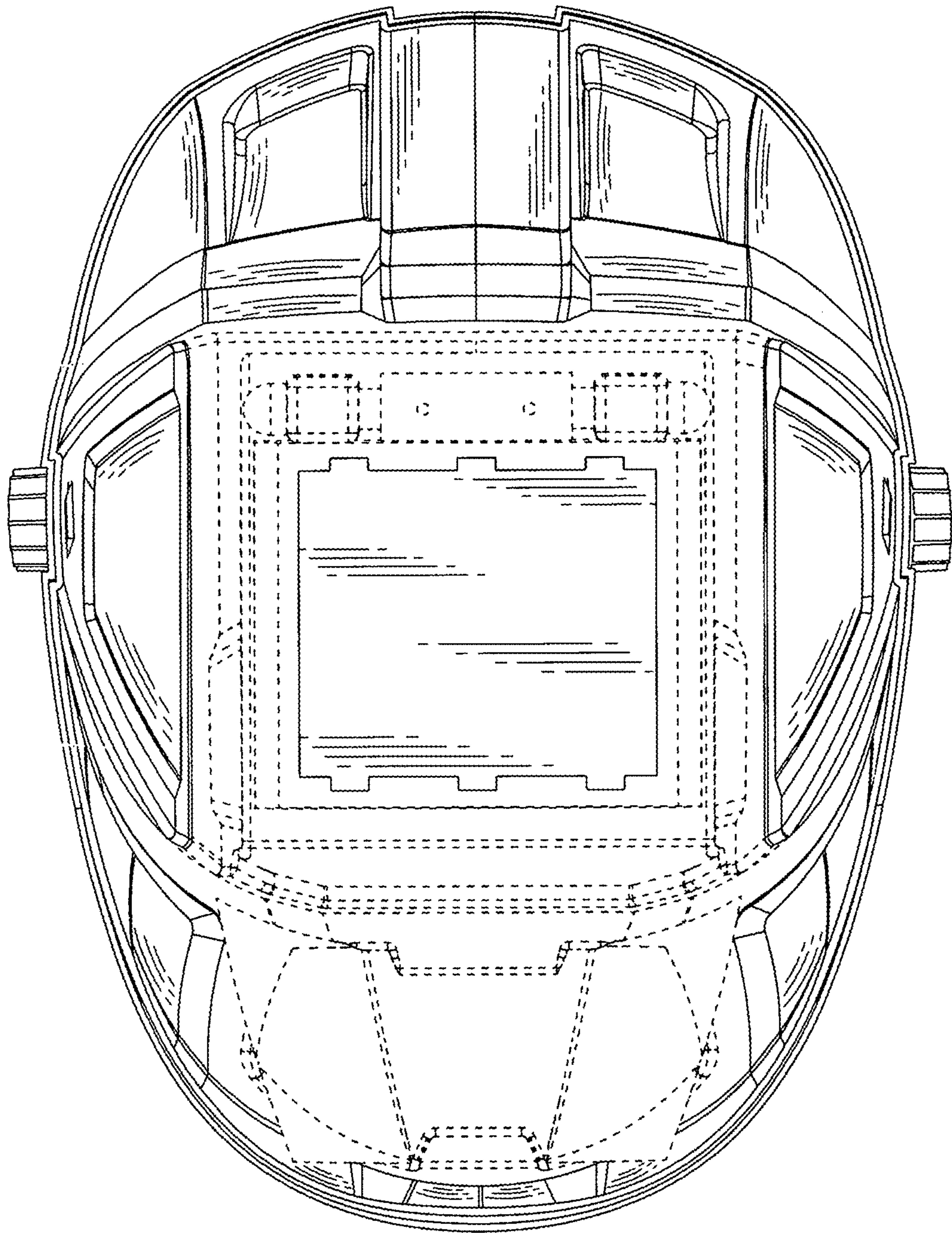


FIG. 3

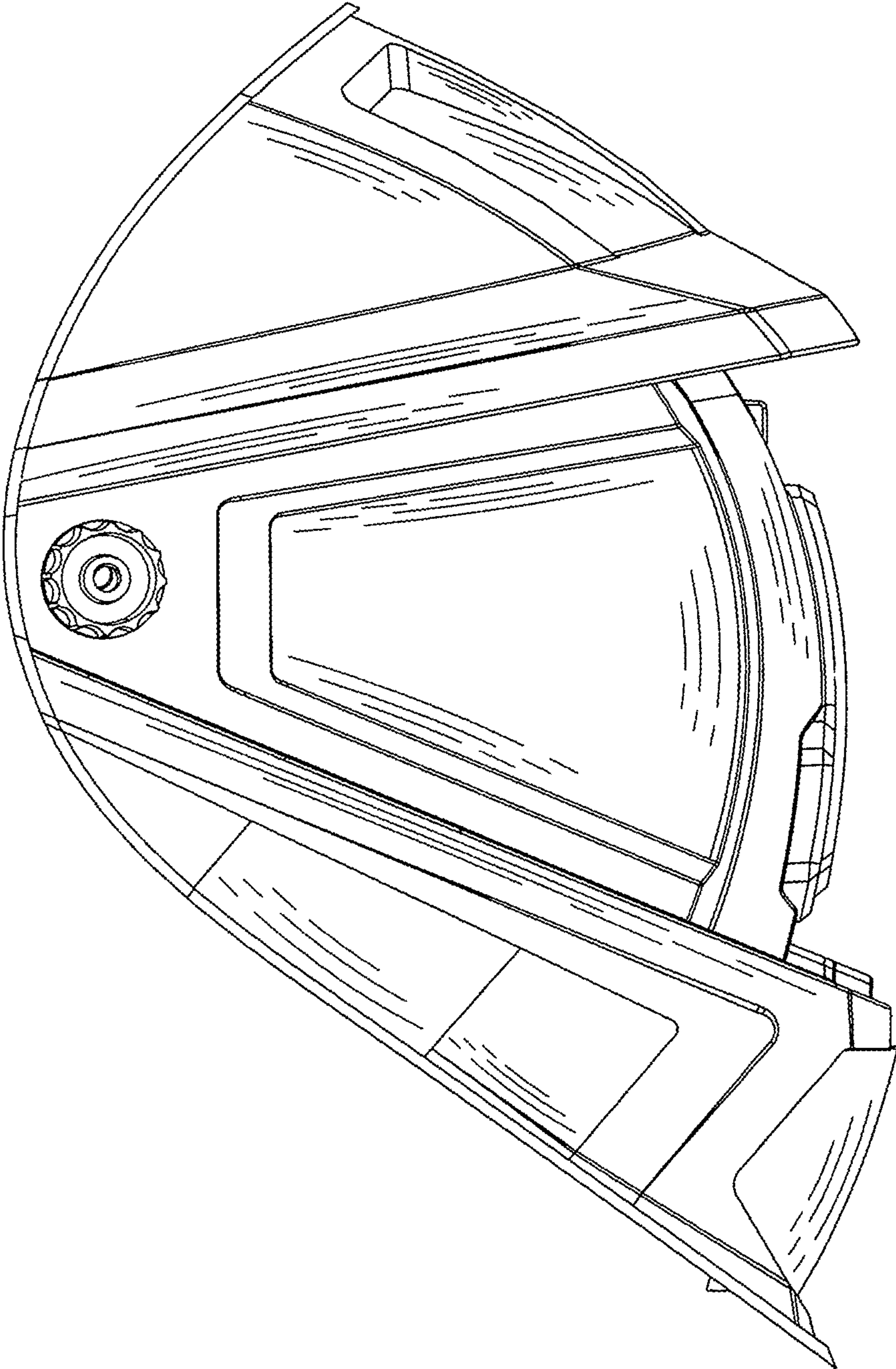


FIG. 4

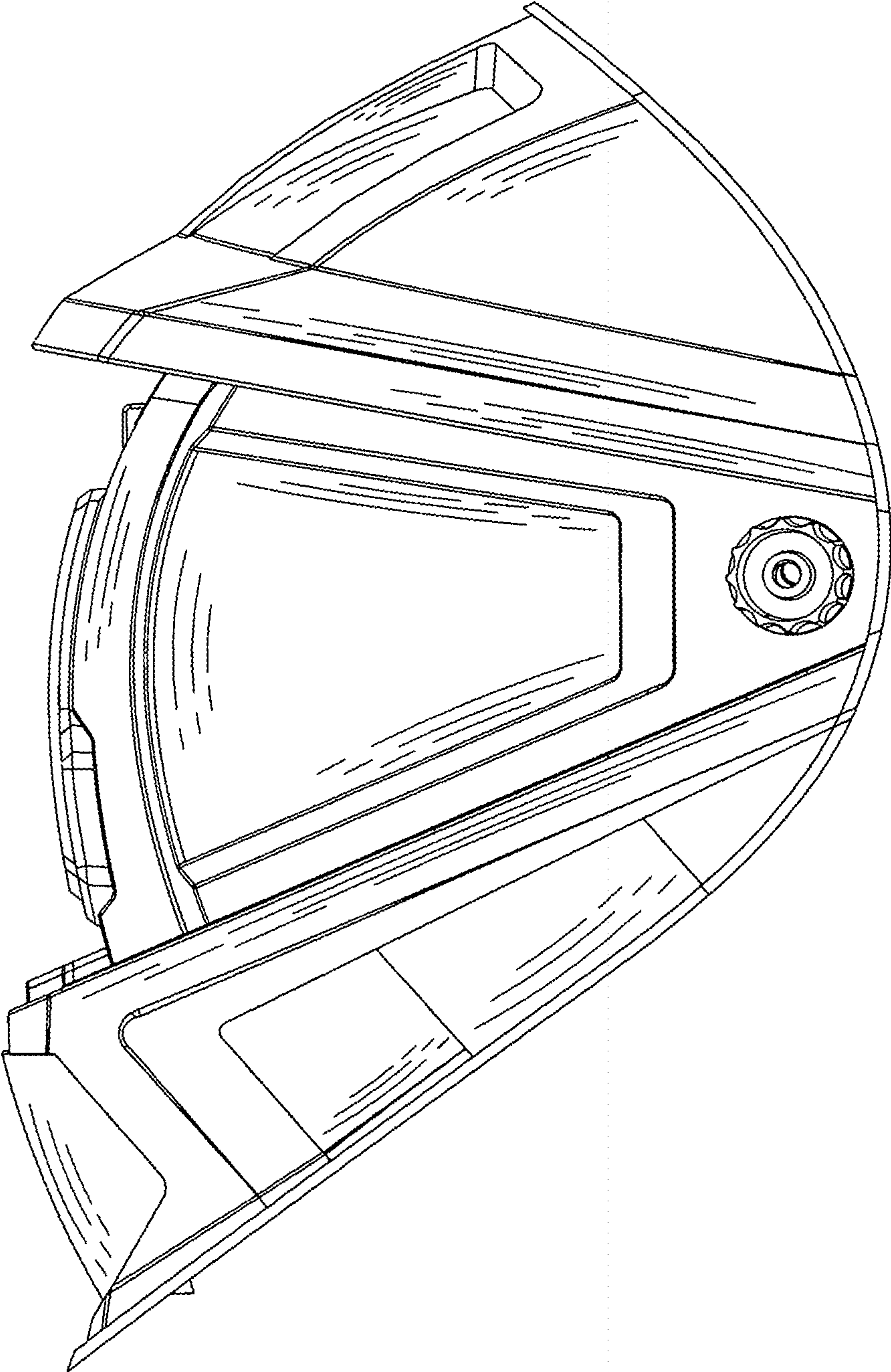


FIG. 5

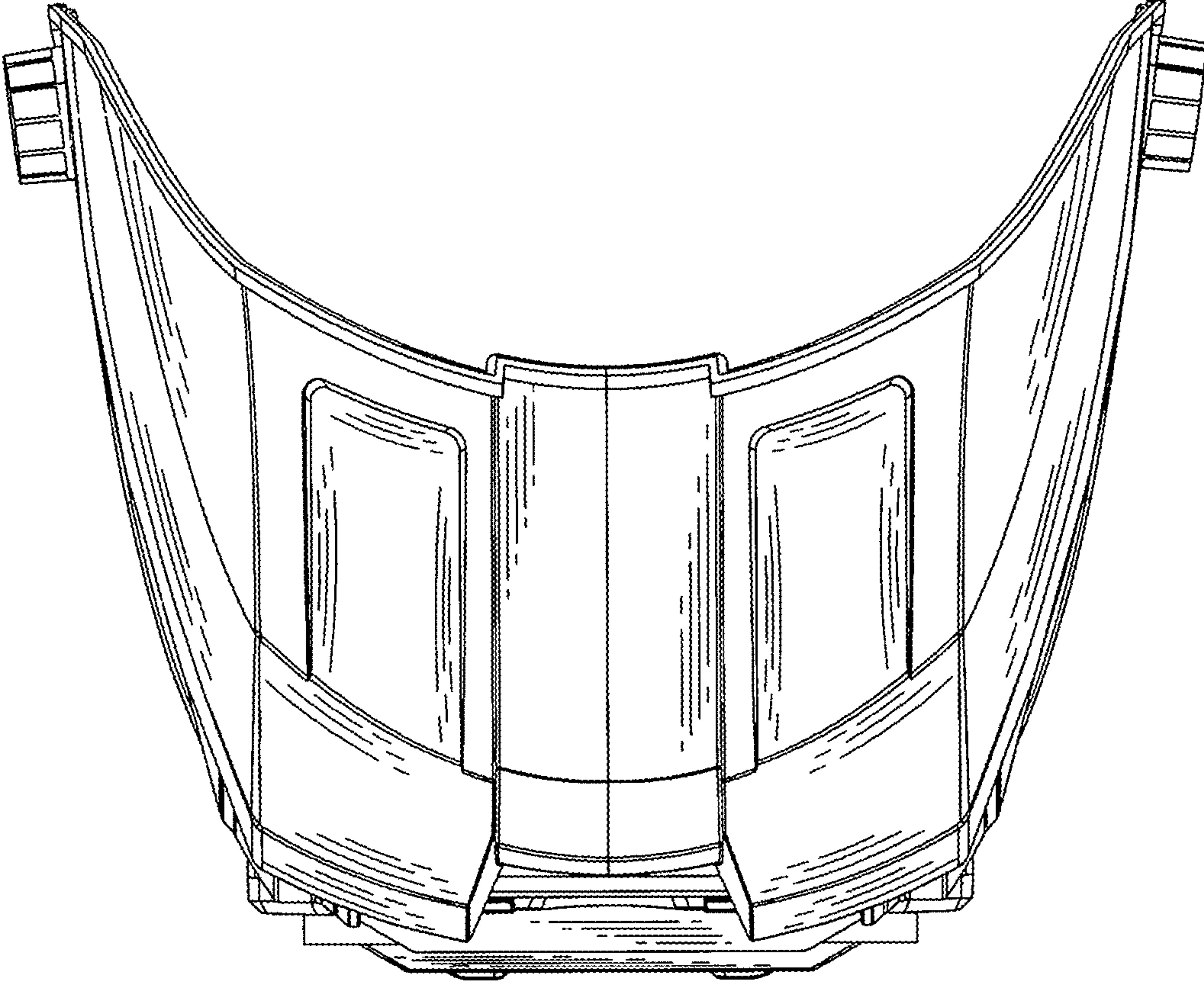


FIG. 6

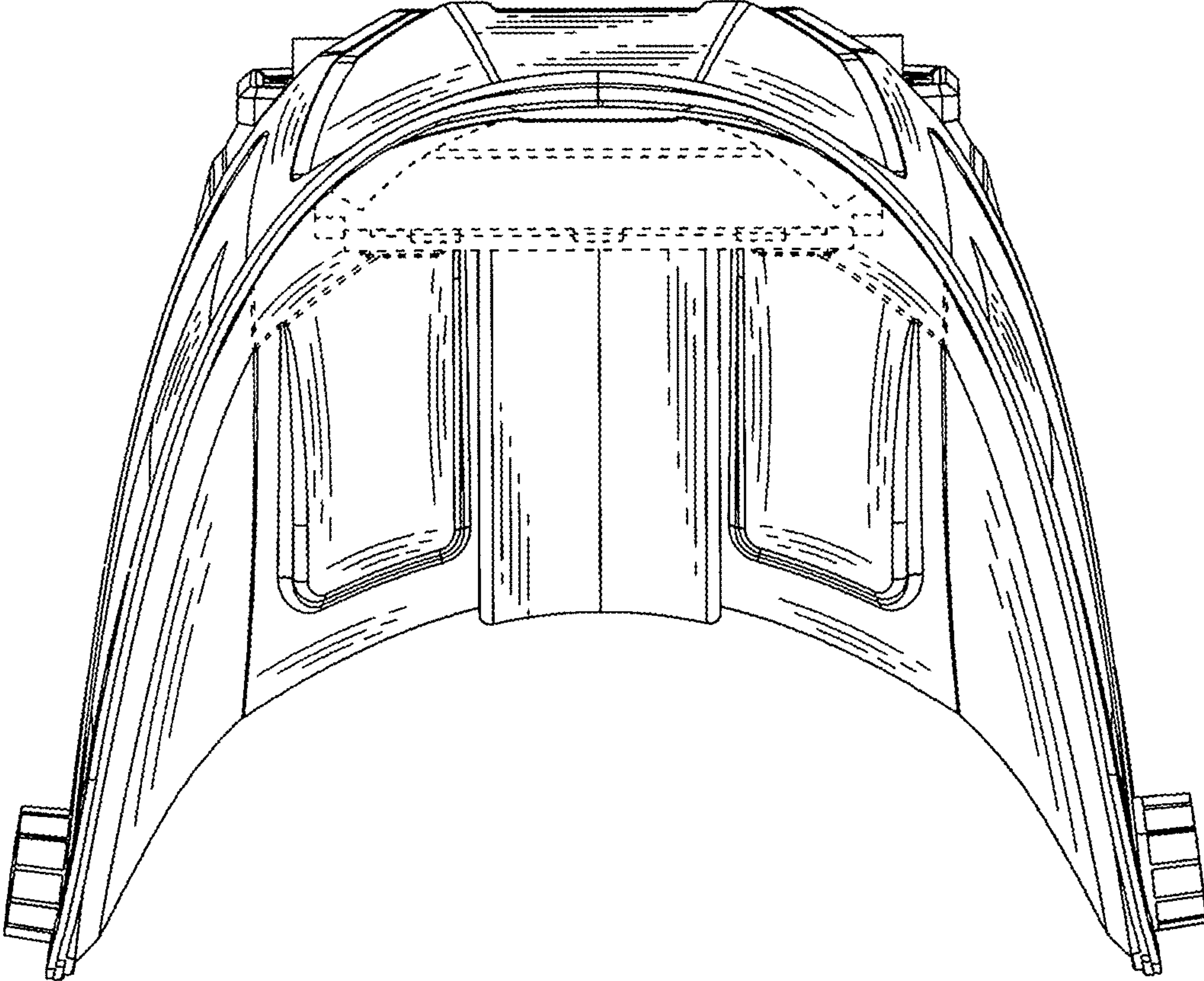


FIG. 7