



US00D927077S

(12) **United States Design Patent**
Liu et al.

(10) **Patent No.:** **US D927,077 S**
(45) **Date of Patent:** **** Aug. 3, 2021**

(54) **HELMET**

(71) Applicant: **Shenzhen Advanced Technology Research institute Co., Ltd.**, Shenzhen (CN)

(72) Inventors: **Dan Liu**, Shenzhen (CN); **Wenguo Yu**, Shenzhen (CN)

(73) Assignee: **SHENZHEN ADVANCED TECHNOLOGY RESEARCH INSTITUTE CO., LTD.**, Shenzhen (CN)

(**) Term: **15 Years**

(21) Appl. No.: **29/722,861**

(22) Filed: **Feb. 3, 2020**

(30) **Foreign Application Priority Data**

Aug. 5, 2019 (CN) 201930422264.X

(51) **LOC (13) Cl.** **02-03**

(52) **U.S. Cl.**
USPC **D29/102**

(58) **Field of Classification Search**

USPC D2/865, 866, 867, 869, 870, 872, 873, D2/874, 878, 886, 887, 888, 891, 892, D2/893; D21/698, 788; D24/108, 110, D24/110.1, 110.2, 110.3, 110.4; D29/100, 102, 103, 104, 105, 106, 107, D29/108, 109, 110, 112, 122

CPC A41D 13/00; A41D 13/012; A41D 13/05; A41D 13/11; A41D 13/1107; A41D 13/1138; A41D 13/1161; A41D 13/1176; A41D 13/1153; A42B 1/00; A42B 1/002; A42B 1/0181; A42B 1/0184; A42B 1/02; A42B 3/00; A42B 3/04; A42B 3/0406; A42B 3/06; A42B 3/066; A42B 3/16; A42B 3/18; A42B 3/20; A42B 3/22; A42B 3/221; A42B 3/222; A42B 3/226; A42B 3/227;

(Continued)

(56) **References Cited**

U.S. PATENT DOCUMENTS

D372,342 S * 7/1996 Chen D29/102
D529,233 S * 9/2006 Schneider D29/102

(Continued)

OTHER PUBLICATIONS

Amazon, "Overade Plixi Fit Foldable Bicycle Helmet", first available Jan. 23, 2018. (<https://www.amazon.com/Overade-Plixi-Foldable-Bicycle-Helmet/dp/B01N66F8QW?th=1>) (Year: 2018).*

(Continued)

Primary Examiner — April Rivas

Assistant Examiner — Justin A Johnson

(74) *Attorney, Agent, or Firm* — IPro, PLLC

(57) **CLAIM**

The ornamental design for a helmet, as shown and described.

DESCRIPTION

FIG. 1 is a perspective view of an ornamental design for a helmet showing our new design;

FIG. 2 is a perspective view viewed from another angle thereof;

FIG. 3 is a front elevation view thereof;

FIG. 4 is a rear elevation view thereof;

FIG. 5 is a left side elevation view thereof;

FIG. 6 is a right side elevation view thereof;

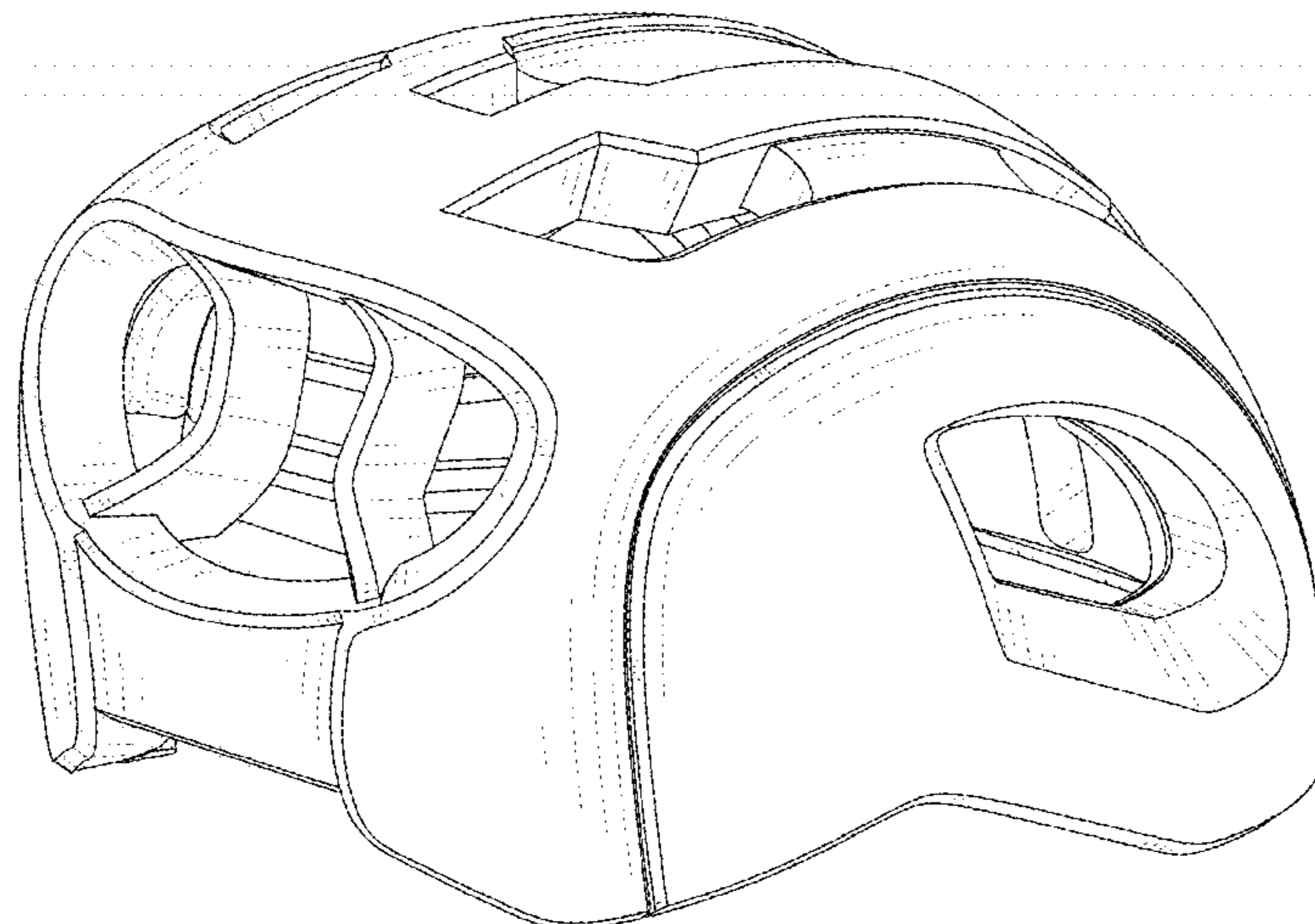
FIG. 7 is a top plan view thereof; and,

FIG. 8 is a bottom plan view thereof.

The broken lines in the drawings illustrate portions of a helmet and form no part of the claimed design.

And shading and cross-hatching are not features of the design but are utilized to illustrate the surface contours of the helmet in the drawings.

1 Claim, 8 Drawing Sheets



(58) **Field of Classification Search**

CPC .. A42B 3/28; A42B 3/32; A42B 3/322; A42B 3/324; F41H 1/00; F41H 1/04; F41H 1/06; F41H 1/08; A63B 2243/007

See application file for complete search history.

D905,911 S * 12/2020 Wu A42B 3/185
 D29/102
 2010/0005573 A1* 1/2010 Rudd A42B 3/062
 2/414
 2020/0305537 A1* 10/2020 Tan A42B 3/185

(56)

References Cited

U.S. PATENT DOCUMENTS

D795,500 S * 8/2017 Chilson D29/102
 D811,662 S * 2/2018 McEneany D29/102
 D844,902 S * 4/2019 Petzl D29/102
 D846,198 S * 4/2019 Chae D29/102
 D860,545 S * 9/2019 Gotti D29/102
 D872,374 S * 1/2020 Pietruck D29/102
 D899,695 S * 10/2020 Petzl D29/102
 D901,083 S * 11/2020 Petzl A42B 3/062
 D29/102

OTHER PUBLICATIONS

Vital MTB, “7 of the Best Lightweight Full Face Helmets”, first available Feb. 5, 2019. (<https://www.vitalmtb.com/features/7-of-the-Best-Lightweight-Full-Face-Helmets-Vital-MTB-Roundup,2616>) (Year: 2019).*

Carousell, “GUB City Pro Helmet”, first available Aug. 2020. (<https://www.carousell.sg/p/in-stock-gub-city-pro-helmet-c-w-rear-lights-ebike-e-bike-pmd-pab-bicycle-1028075818/>) (Year: 2020).*

Things that Fold, “LID Plico Foldable Bike Helmet”, first available Feb. 12, 2020. (<https://thingsthatfold.com/lid-plico/>) (Year: 2020).*

* cited by examiner

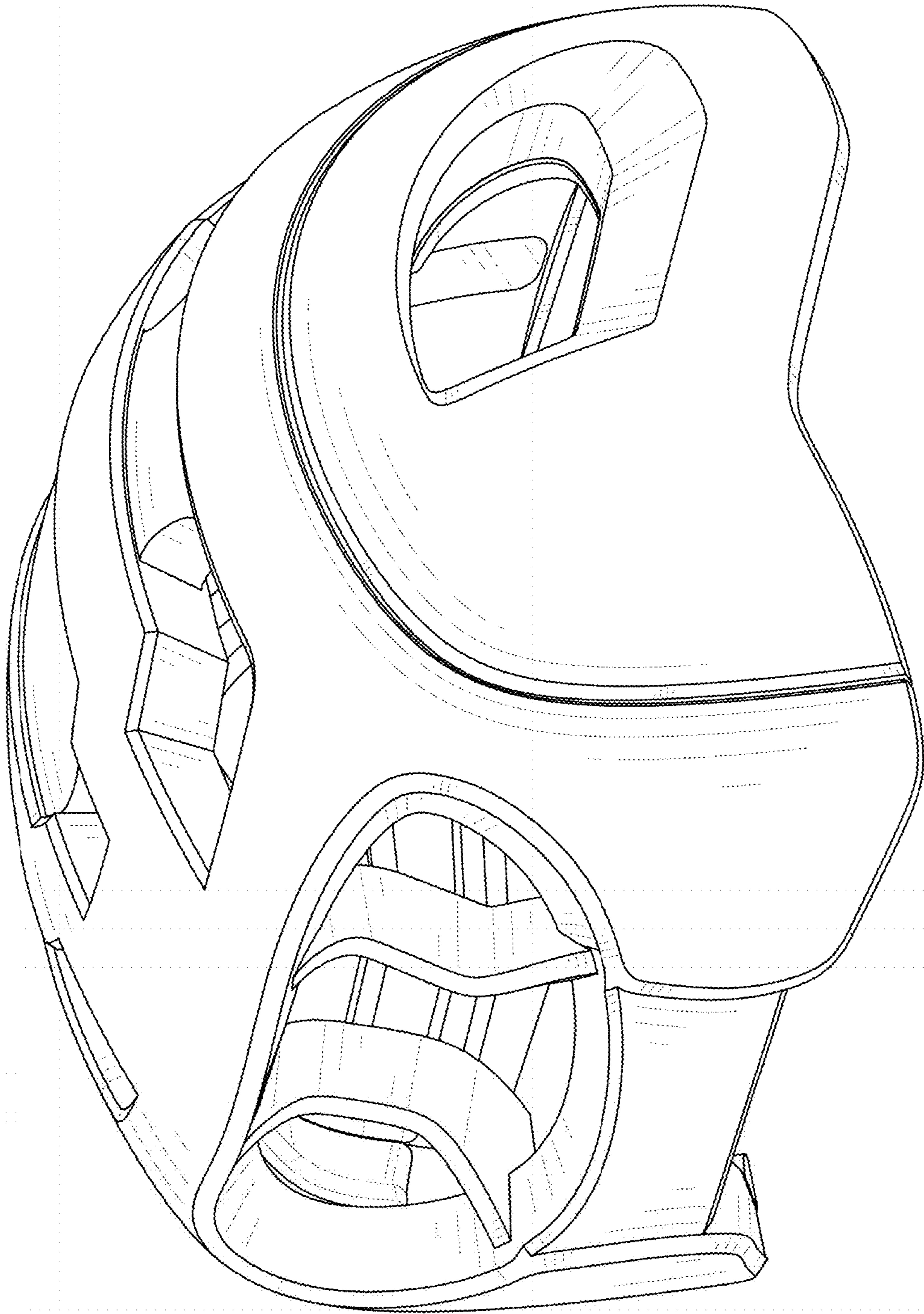


FIG. 1

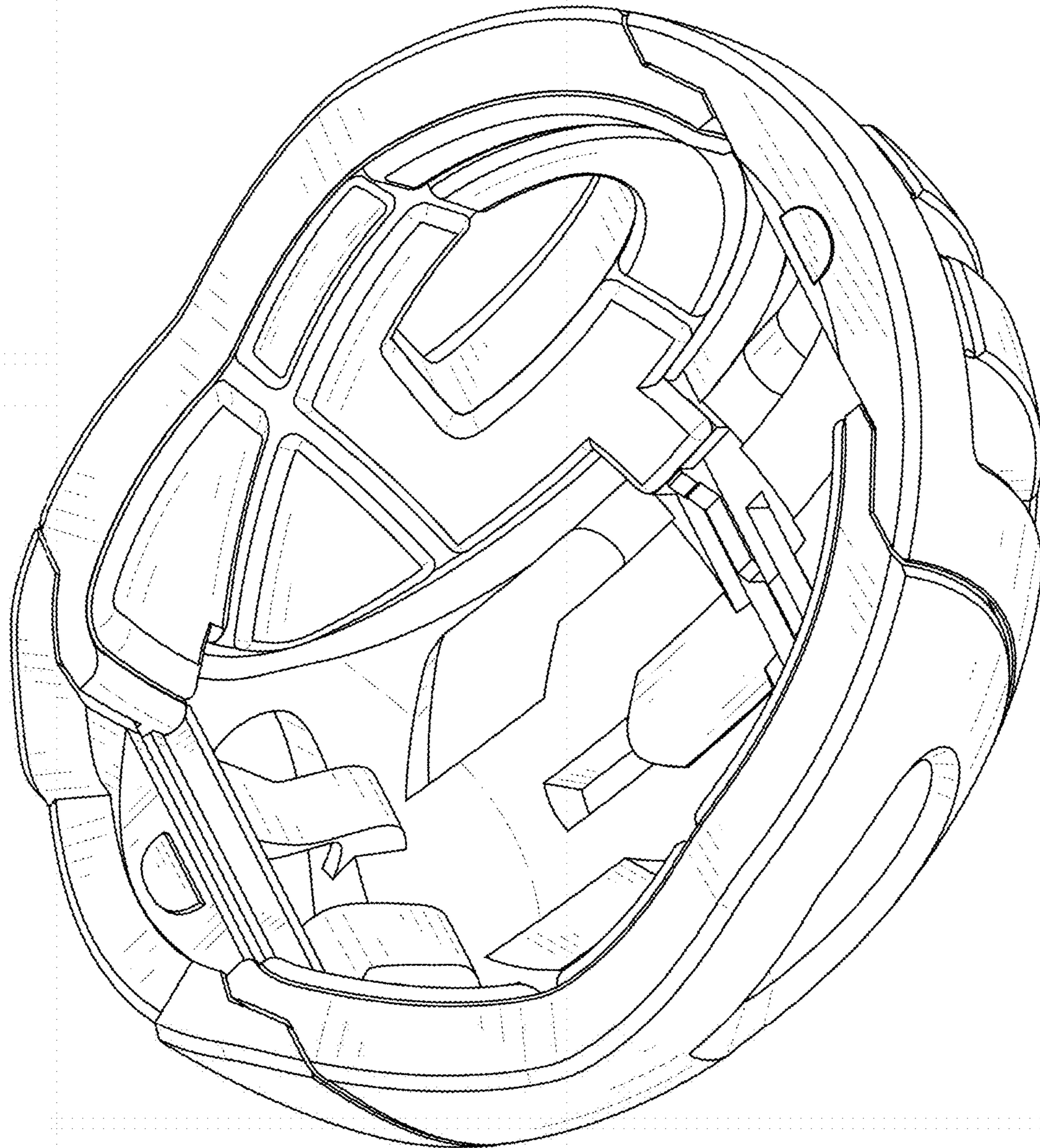


FIG. 2

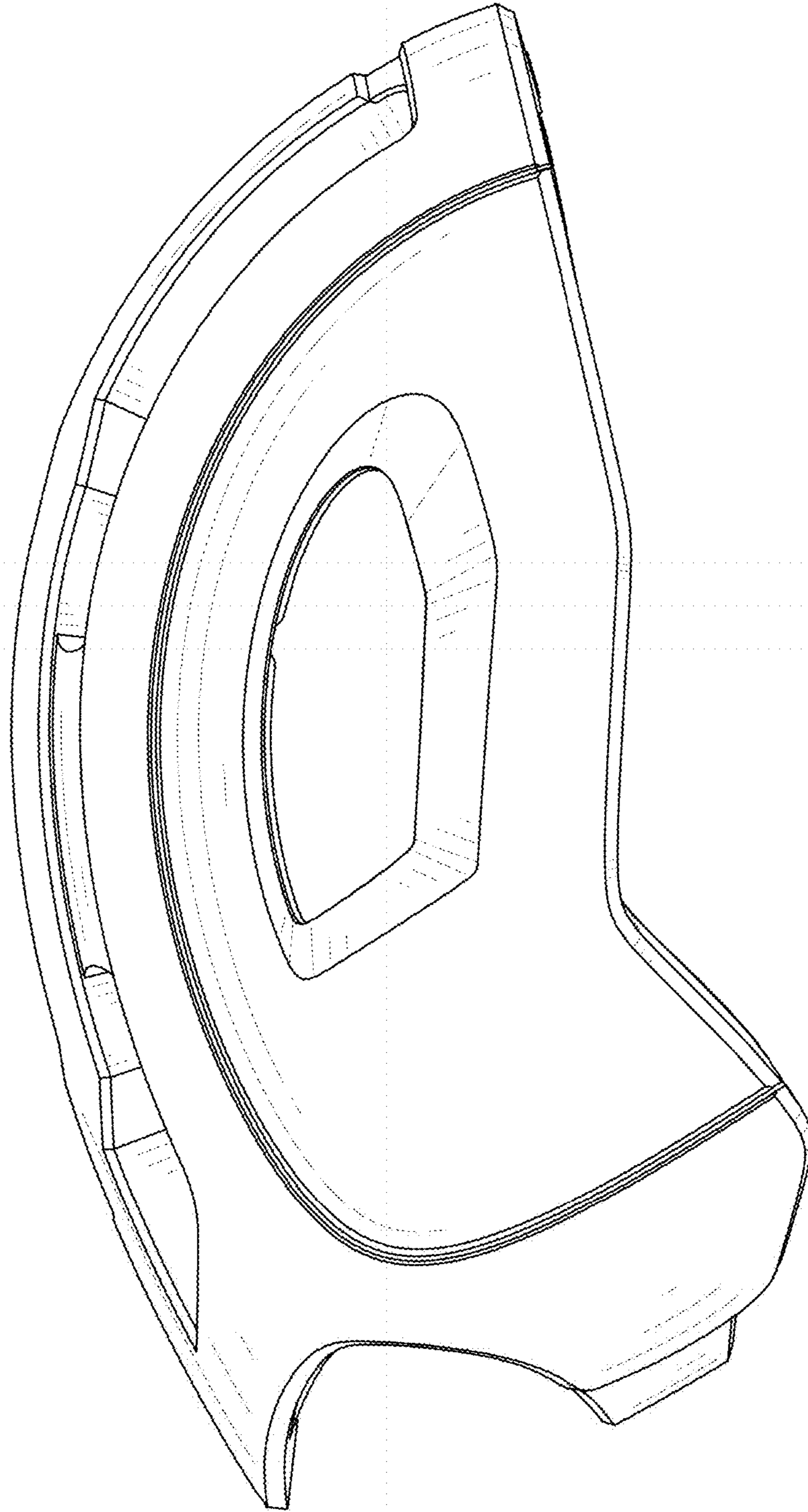


FIG. 3

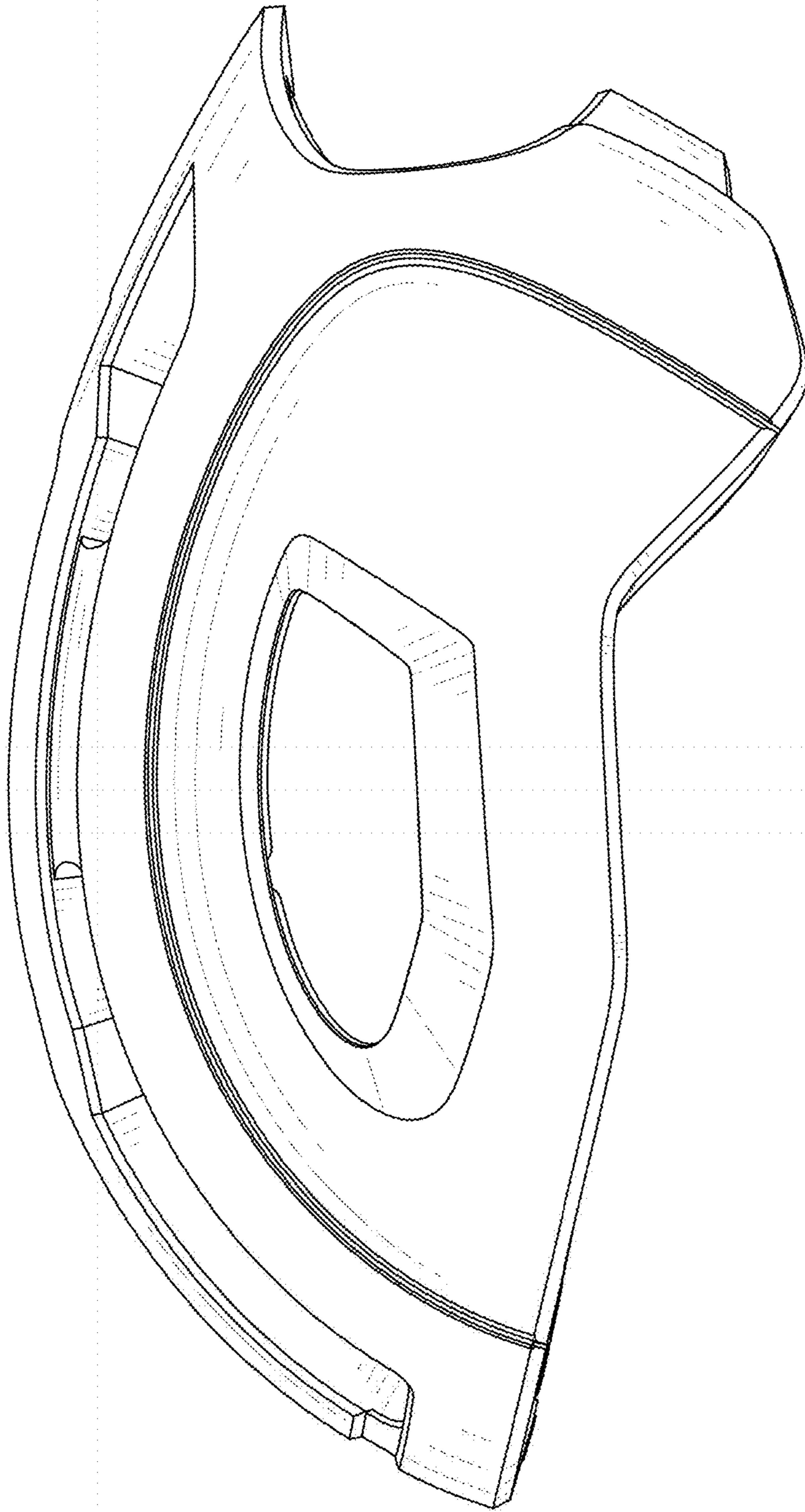


FIG. 4

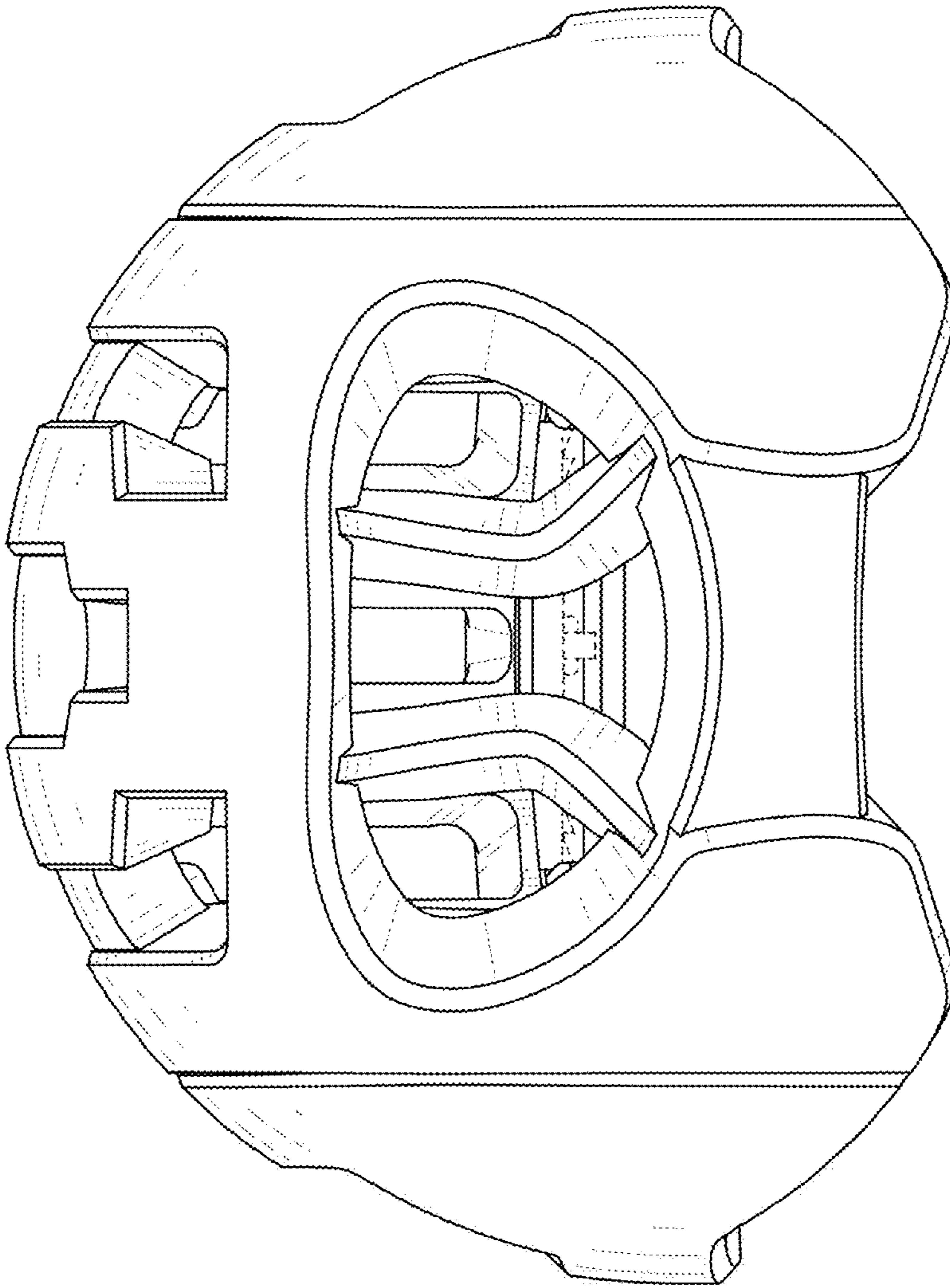


FIG. 5

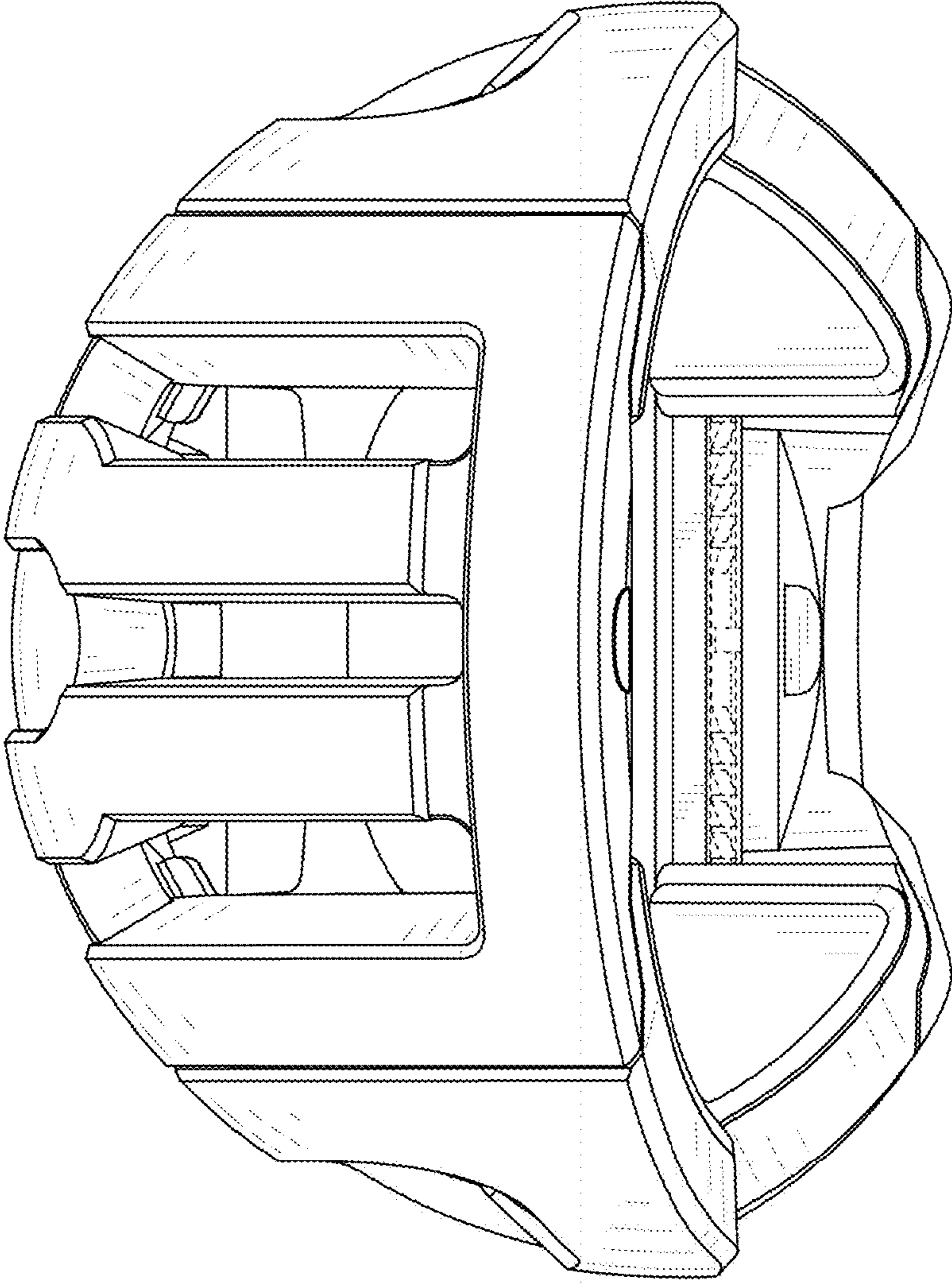


FIG. 6

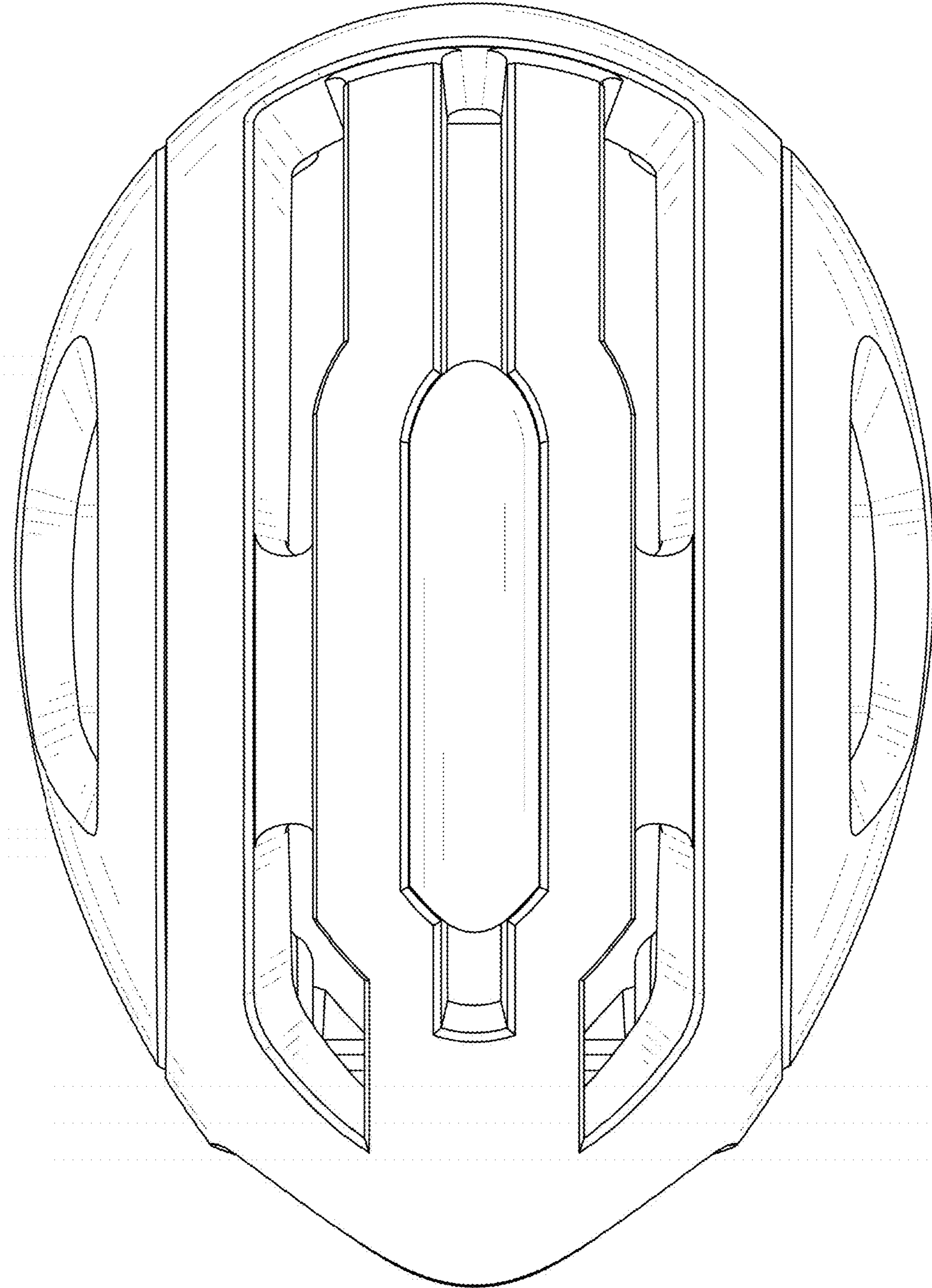


FIG. 7

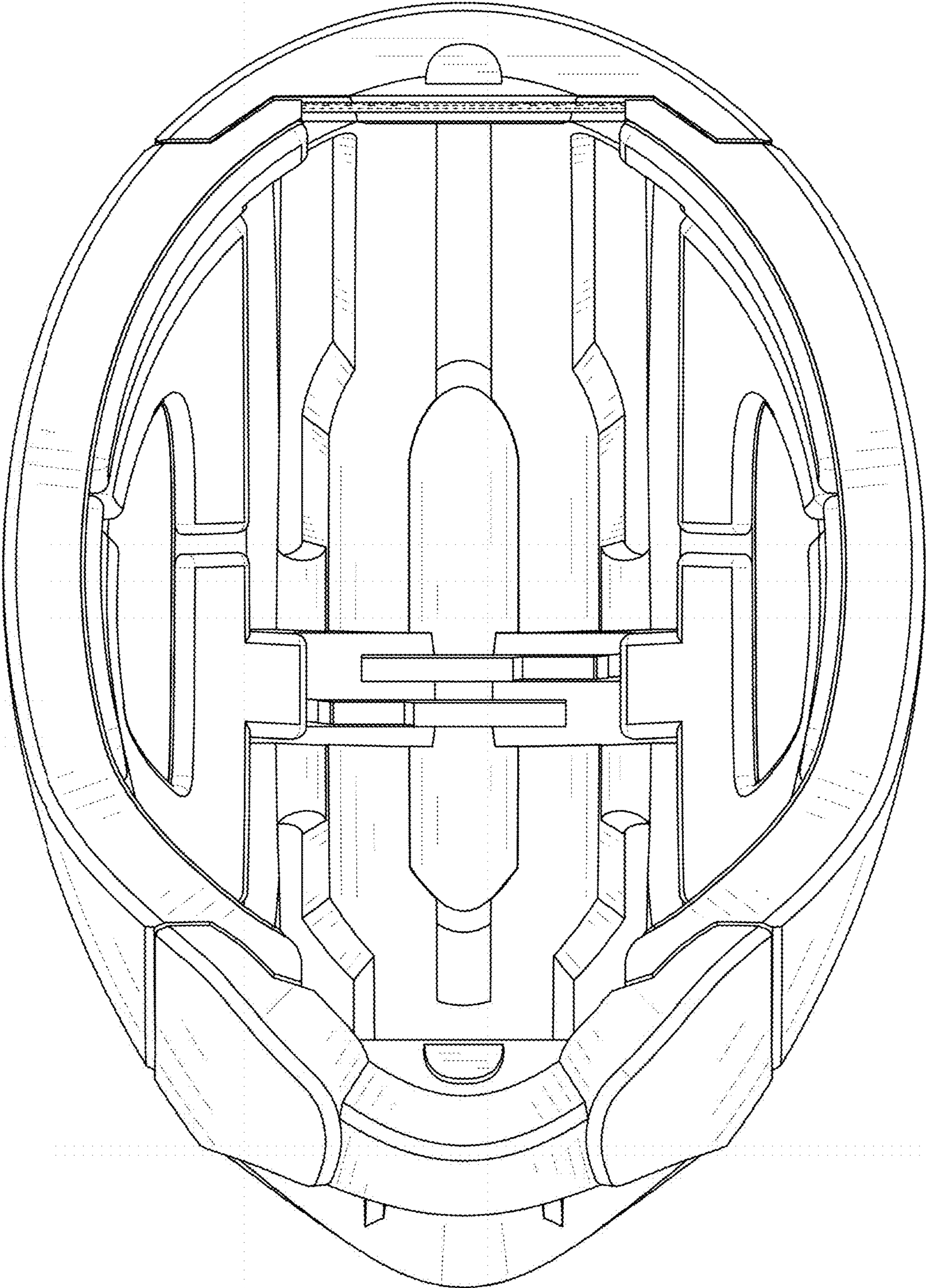


FIG. 8