



US00D927072S

(12) **United States Design Patent**
Gehlhausen

(10) **Patent No.:** **US D927,072 S**

(45) **Date of Patent:** **** Aug. 3, 2021**

(54) **LEG LIFT STRAP**

(71) Applicant: **Gordana Gehlhausen**, Playa del Rey,
CA (US)

(72) Inventor: **Gordana Gehlhausen**, Playa del Rey,
CA (US)

(**) Term: **15 Years**

(21) Appl. No.: **29/691,533**

(22) Filed: **May 16, 2019**

(51) **LOC (13) Cl.** **29-02**

(52) **U.S. Cl.**
USPC **D29/101.5**

(58) **Field of Classification Search**

USPC D29/100, 101.1, 101.2, 101.3, 101.4,
D29/101.5; D24/190; D2/701, 702, 704
CPC ... A63B 21/00; A63B 21/065; A63B 21/4009;
A63B 23/0405; A61H 3/00; A61H
2003/007; A61H 3/008; A61H 1/00;
A61H 1/0244; A41F 9/00; A41F 9/002;
A41F 11/00; A41F 11/14; A41F 11/16
See application file for complete search history.

(56) **References Cited**

U.S. PATENT DOCUMENTS

- 1,269,829 A * 6/1918 Lumley A41D 13/065
2/24
- 2,166,809 A * 7/1939 Frankel A62B 35/005
182/6
- 2,686,308 A * 8/1954 Courtois A41D 17/02
2/1
- 3,053,230 A * 9/1962 Klickstein A47D 15/006
119/857
- D201,861 S * 8/1965 Cummins D29/120.1
- 3,424,134 A * 1/1969 Rosenblum A62B 35/0031
182/3
- 4,180,261 A * 12/1979 Kolka A63B 21/065
2/22

- 5,584,072 A * 12/1996 Kim A63B 71/12
2/465
- D381,428 S * 7/1997 Torok D24/190
- 6,012,993 A * 1/2000 Guerriero A63B 21/0552
182/3
- 6,039,677 A * 3/2000 Spletzer A63B 21/0605
2/22
- 6,244,379 B1 * 6/2001 Larson A41D 13/0007
182/6
- 6,481,528 B2 * 11/2002 Antonio A45F 3/14
182/3
- 6,651,594 B1 * 11/2003 Bagwell A47D 13/086
119/770
- 6,942,630 B2 * 9/2005 Behan A61F 5/0102
128/875
- D559,467 S * 1/2008 Petzl D29/101.1
- D584,479 S * 1/2009 Jones D2/712
- 8,056,675 B2 * 11/2011 Helms A62B 35/0037
182/3
- D656,682 S * 3/2012 Bruehler D29/101.5
- 9,498,692 B2 * 11/2016 Bledsoe A63B 69/0059

(Continued)

Primary Examiner — Kimberly Barnes
(74) *Attorney, Agent, or Firm* — Pacifica IP

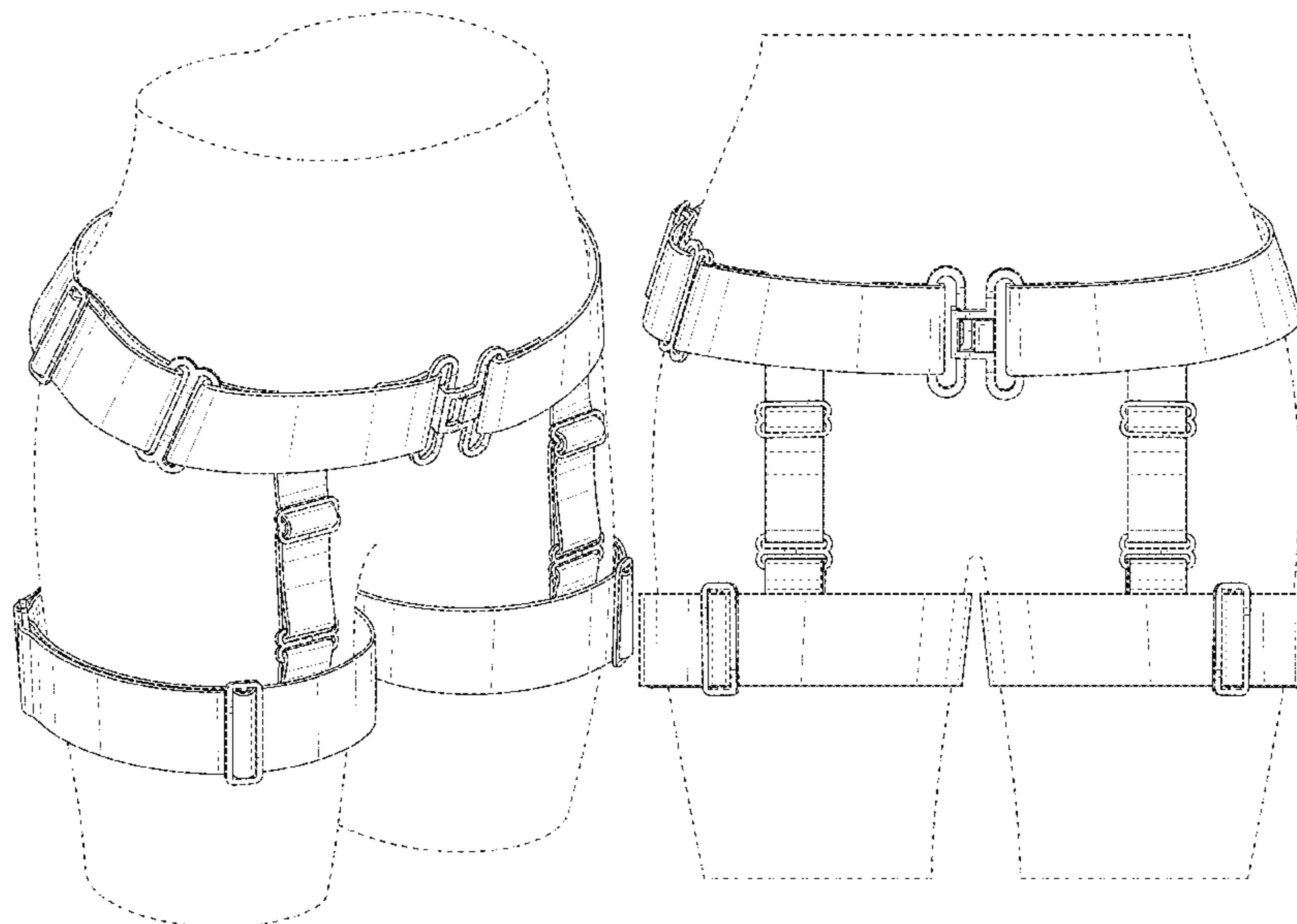
(57) **CLAIM**

The ornamental design for a leg lift straps, as shown and described.

DESCRIPTION

FIG. 1 shows a front perspective view of a leg lift strap showing my new design;
FIG. 2 shows a front view of the leg lift strap;
FIG. 3 shows a rear view of the leg lift strap;
FIG. 4 shows a right side view of the leg lift strap;
FIG. 5 shows a left side view of the leg lift strap;
FIG. 6 shows a top plan view of the leg lift strap; and,
FIG. 7 shows a bottom plan view of the leg lift strap.
The broken lines shown in the drawings show an imaginary torso and form no part of the claimed design.

1 Claim, 7 Drawing Sheets



(56)

References Cited

U.S. PATENT DOCUMENTS

10,085,502 B1 * 10/2018 Trepanier A01K 27/003
D891,546 S * 7/2020 Li D21/694
10,786,417 B2 * 9/2020 Shimada A61H 1/0244
2012/0208680 A1 * 8/2012 Boyce A63B 21/4025
482/105
2019/0125617 A1 * 5/2019 Murakami A61H 3/008

* cited by examiner

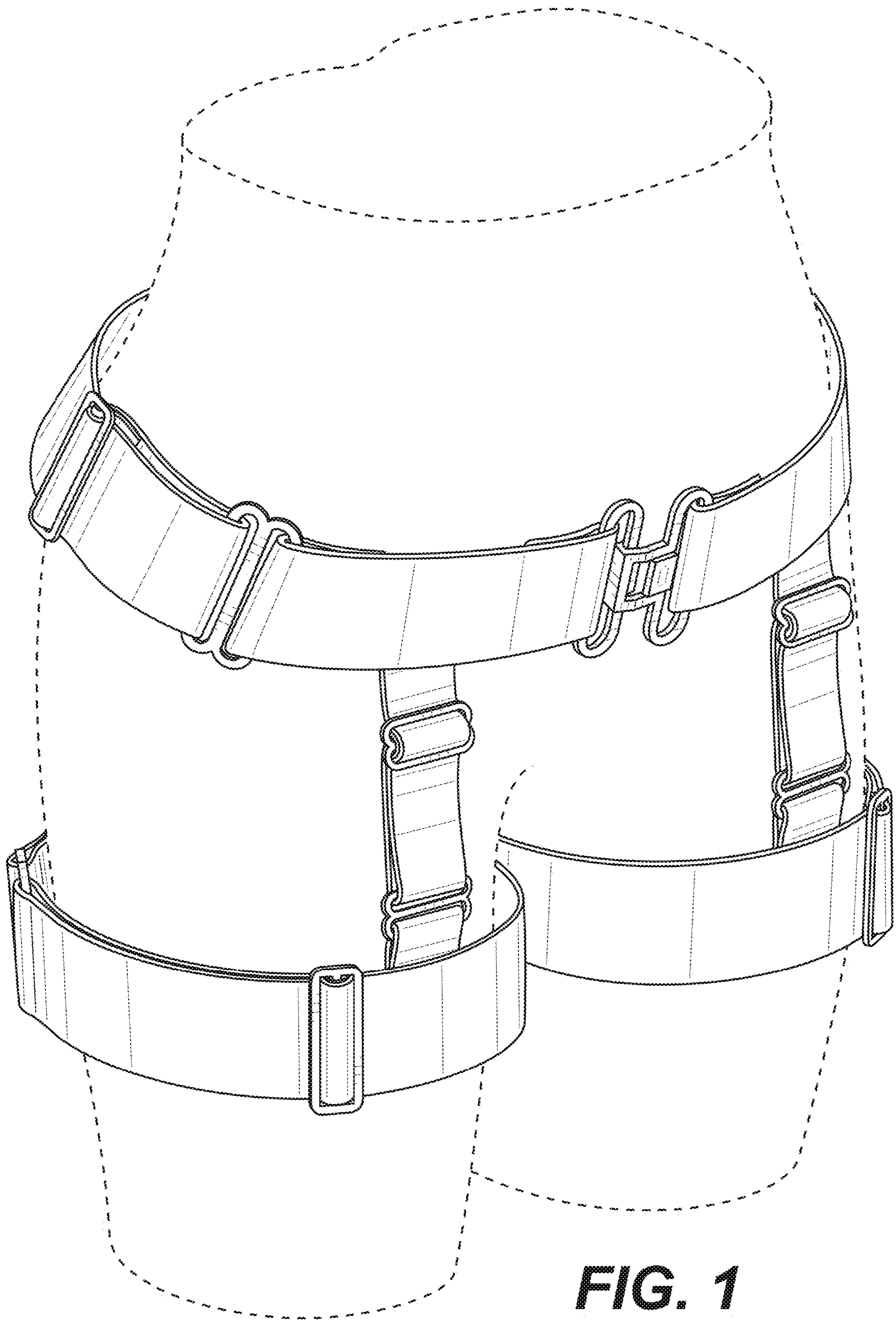


FIG. 1

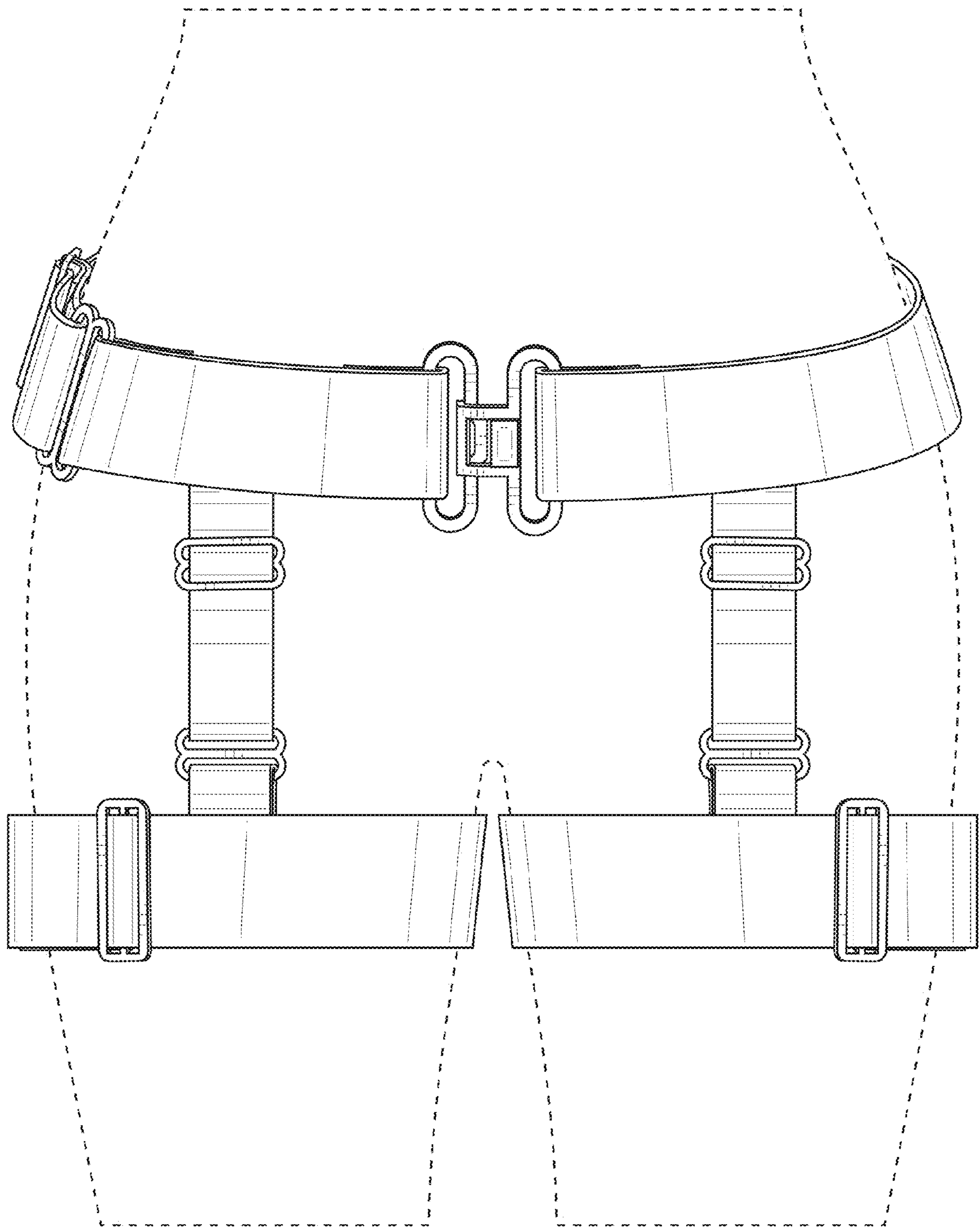


FIG. 2

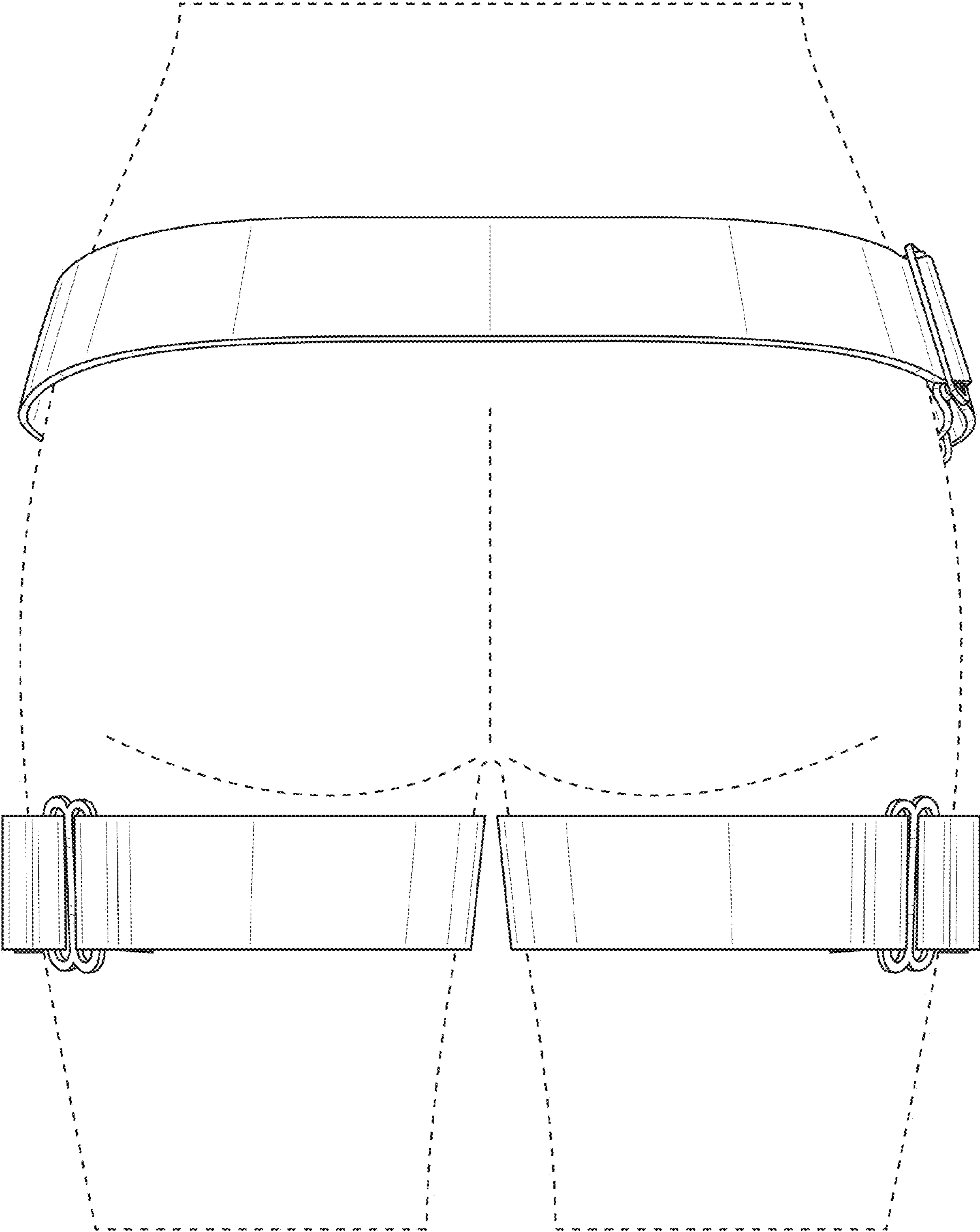


FIG. 3

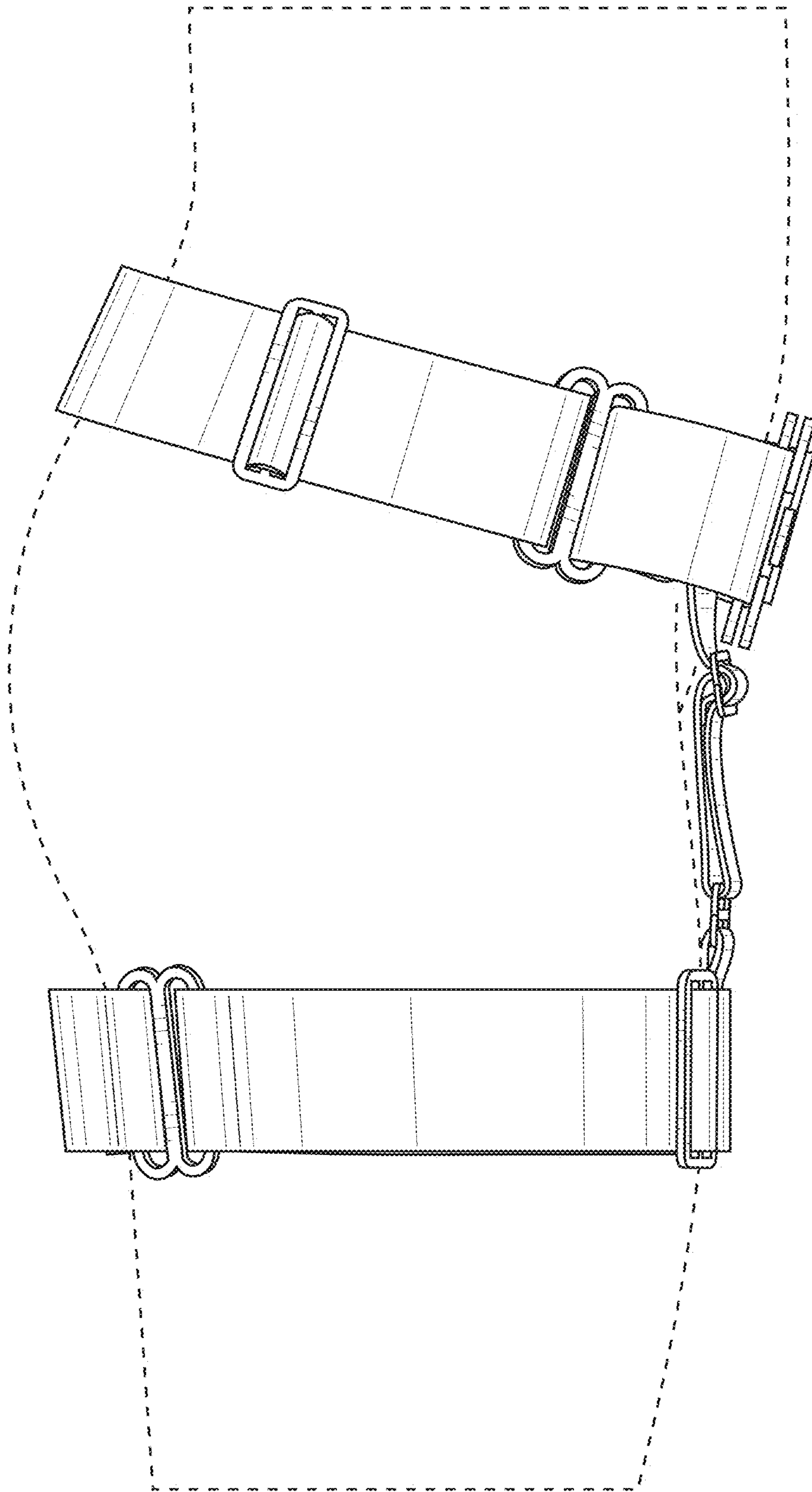


FIG. 4

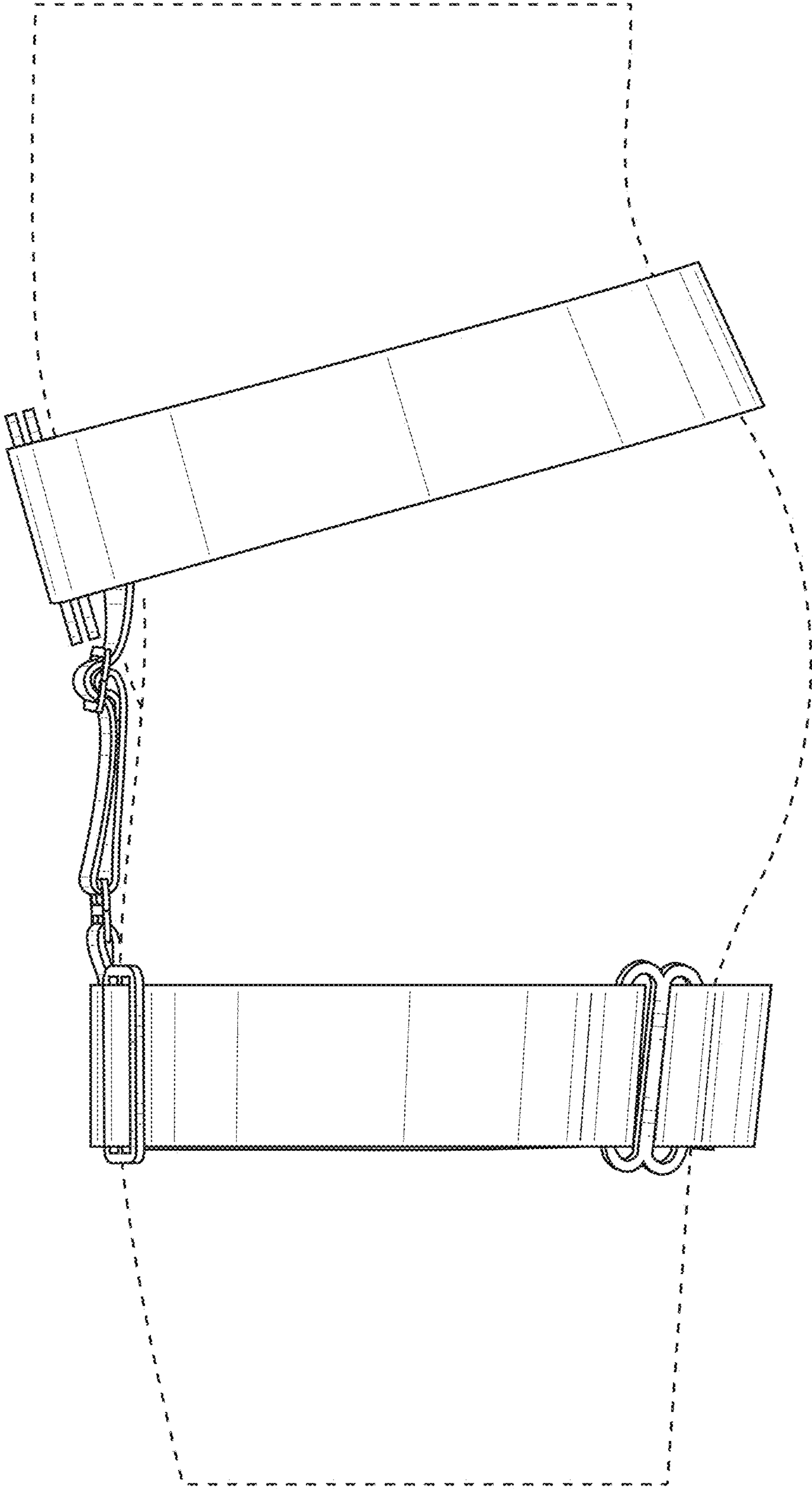


FIG. 5

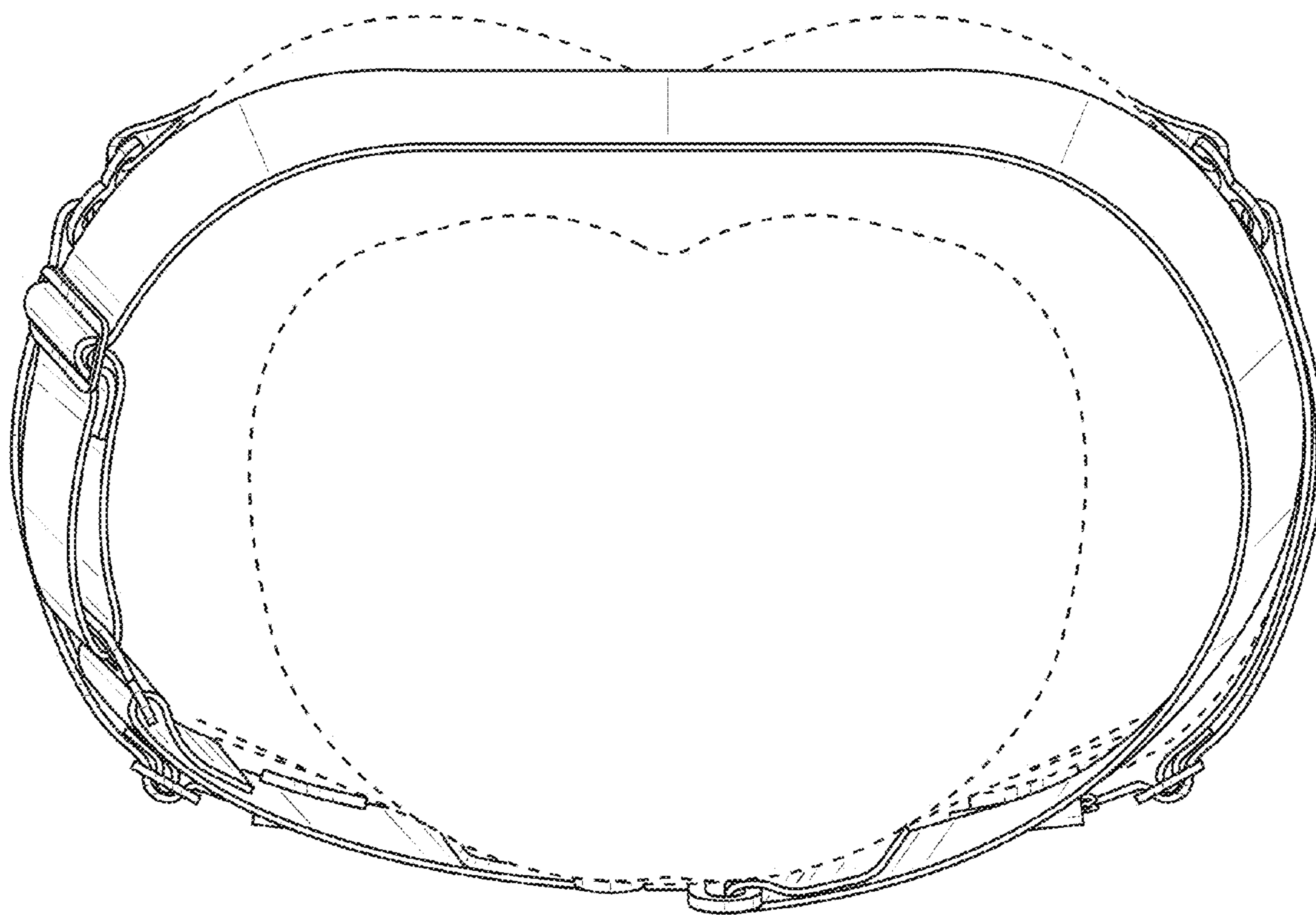


FIG. 6

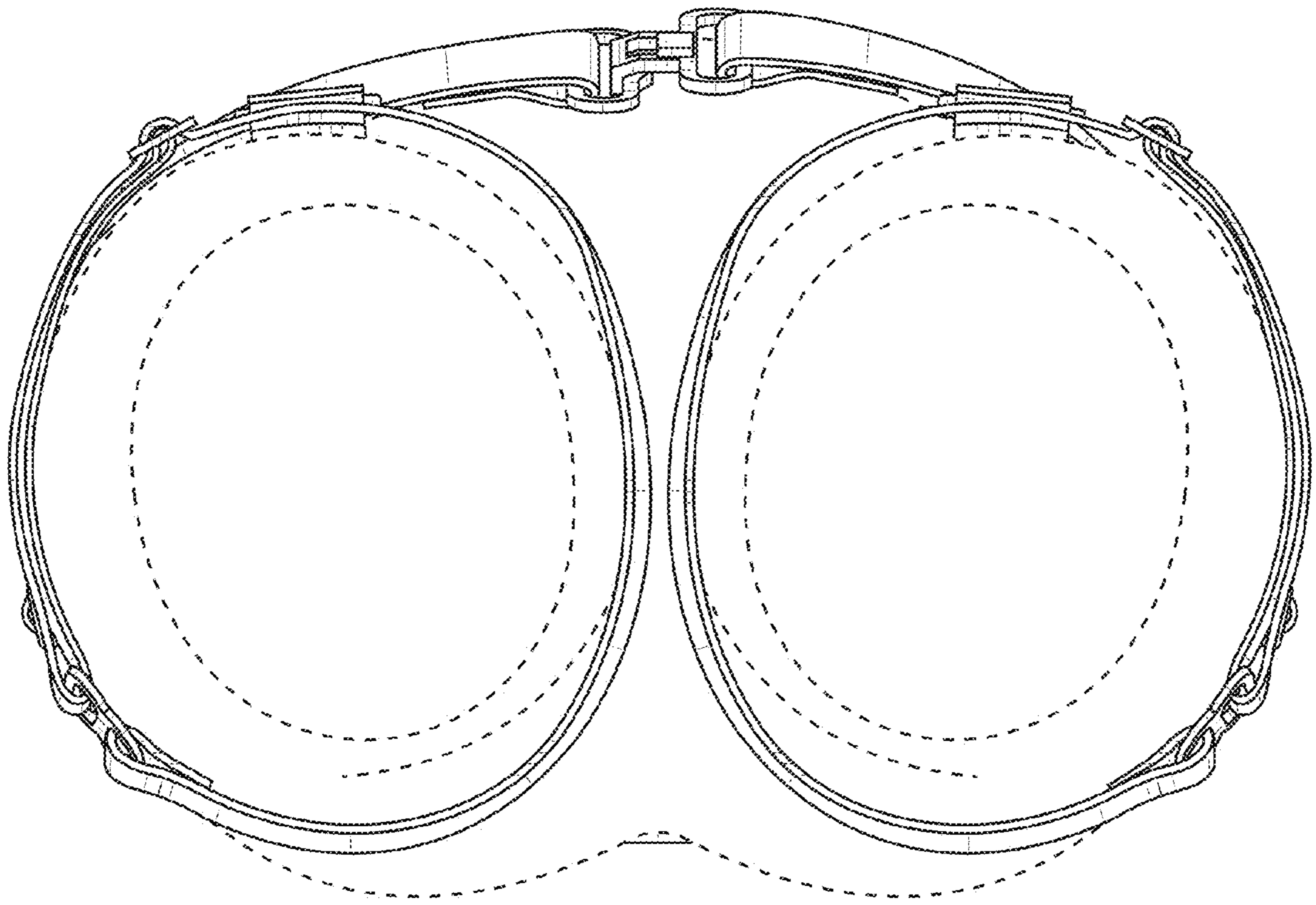


FIG. 7