



US00D927070S

(12) **United States Design Patent** (10) **Patent No.:** **US D927,070 S**
DeAngeles (45) **Date of Patent:** **** Aug. 3, 2021**

(54) **APPARATUS FOR INCAPACITATING AN ACTIVE SHOOTER**

FOREIGN PATENT DOCUMENTS

(71) Applicant: **Steven DeAngeles**, Chicago, IL (US)

CN 103629977 A 3/2014
CN 106931833 A 7/2017

(72) Inventor: **Steven DeAngeles**, Chicago, IL (US)

(Continued)

(**) Term: **15 Years**

OTHER PUBLICATIONS

(21) Appl. No.: **29/709,967**

American Security Today, New Riot Shield Light for Police, Corrections and Security Forces, <https://americansecuritytoday.com/new-riot-shield-light-police-corrections-security-forces-video/>.

(22) Filed: **Oct. 18, 2019**

(51) **LOC (13) Cl.** **29-02**

(52) **U.S. Cl.**
USPC **D29/100**

(58) **Field of Classification Search**
USPC D29/100, 101.3, 101.5, 130; 89/926, 89/921, 36.01, 36.07, 36.06, 36.05, 918, 89/929; 362/110

CPC F41H 1/00; F41H 9/10; F41H 13/0056; F41H 13/0081; F41H 5/14

See application file for complete search history.

Primary Examiner — Catherine R Oliver-Garcia
(74) *Attorney, Agent, or Firm* — Lesley A. Wallerstein, LLC

(57) **CLAIM**

The ornamental design for an apparatus for incapacitating an active shooter, as shown and described.

DESCRIPTION

FIG. 1 is a front perspective view of an apparatus for incapacitating an active shooter, in a storage configuration, according to the present invention.

FIG. 2 is a front view thereof.

FIG. 3 is a rear view thereof.

FIG. 4 is a left view thereof.

FIG. 5 is a right view thereof.

FIG. 6 is a top view thereof.

FIG. 7 is a bottom view thereof.

FIG. 8 is a top front perspective view thereof, shown in a deployed configuration.

FIG. 9 is a top and rear perspective view thereof;

FIG. 10 is a front view thereof.

FIG. 11 is a rear view thereof.

FIG. 12 is a left view thereof.

FIG. 13 is a right view thereof.

FIG. 14 is a top view thereof; and,

FIG. 15 is a bottom view thereof.

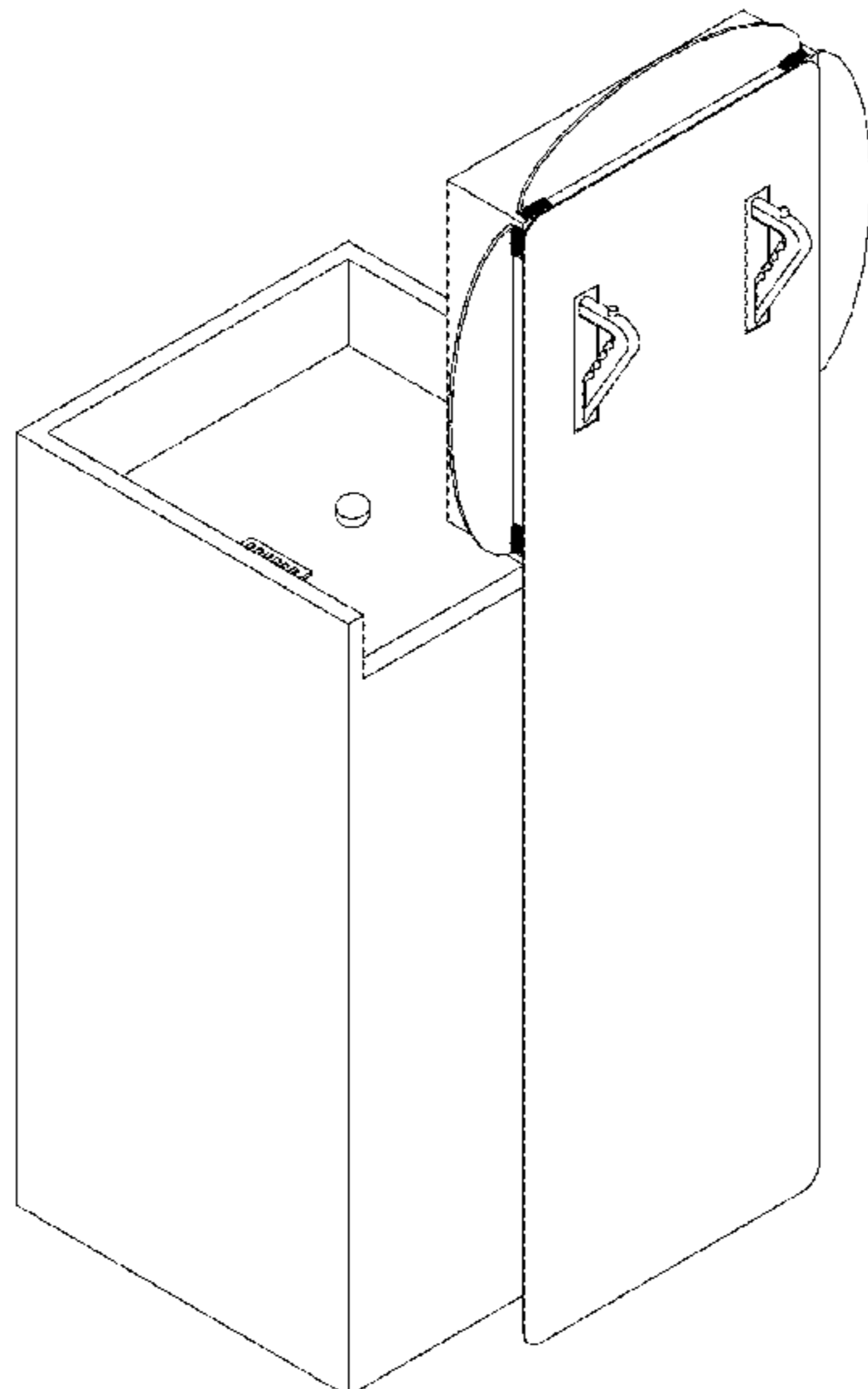
(56) **References Cited**

U.S. PATENT DOCUMENTS

279,571 A *	6/1883	Larter	B41F 3/58
				74/27
D359,820 S *	6/1995	Thumb	2/2.5
5,549,220 A *	8/1996	Whalen		
D562,026 S *	2/2008	Chen	D15/199
7,716,748 B2 *	5/2010	Dovner	F41C 33/0209
				2/2.5
7,980,720 B2	7/2011	Shemwell et al.		
8,276,499 B1 *	10/2012	Fuqua	F41H 5/14
				89/36.09
8,403,106 B2	3/2013	Bostick		
9,267,764 B2	2/2016	Seabrook		
9,347,748 B1 *	5/2016	Crisp	F41H 5/08
D779,125 S *	2/2017	Gaynor	D29/100
9,759,529 B2	9/2017	Childs et al.		
10,152,856 B2	12/2018	Fasone		

(Continued)

1 Claim, 13 Drawing Sheets



(56)

References Cited

U.S. PATENT DOCUMENTS

2010/0024634 A1* 2/2010 McClellan F41H 5/12
89/36.03
2011/0000362 A1* 1/2011 Carberry F41H 5/24
89/36.02
2011/0011255 A1* 1/2011 Kleniatis F41H 5/08
89/36.09
2015/0153143 A1* 6/2015 Hollenbach F41H 5/24
89/36.01
2017/0336176 A1* 11/2017 Hudson F41H 5/08
2018/0128578 A1 5/2018 Huggins et al.
2019/0145741 A1* 5/2019 Spransy F41H 5/08
89/36.05

FOREIGN PATENT DOCUMENTS

CN 108917475 A 11/2018
WO WO 2018/235047 A1 * 12/2018 F41H 5/08

* cited by examiner

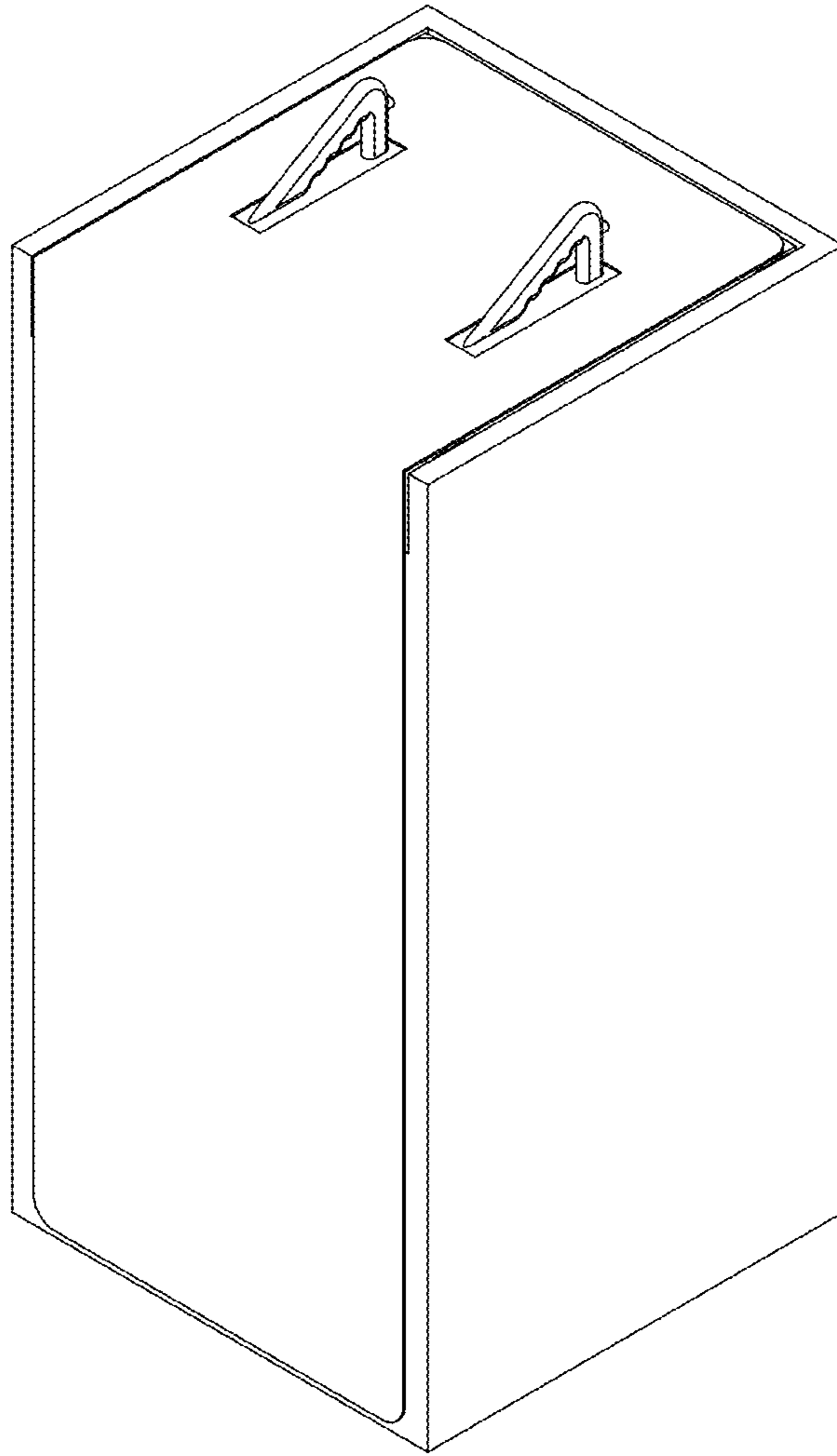


FIG. 1

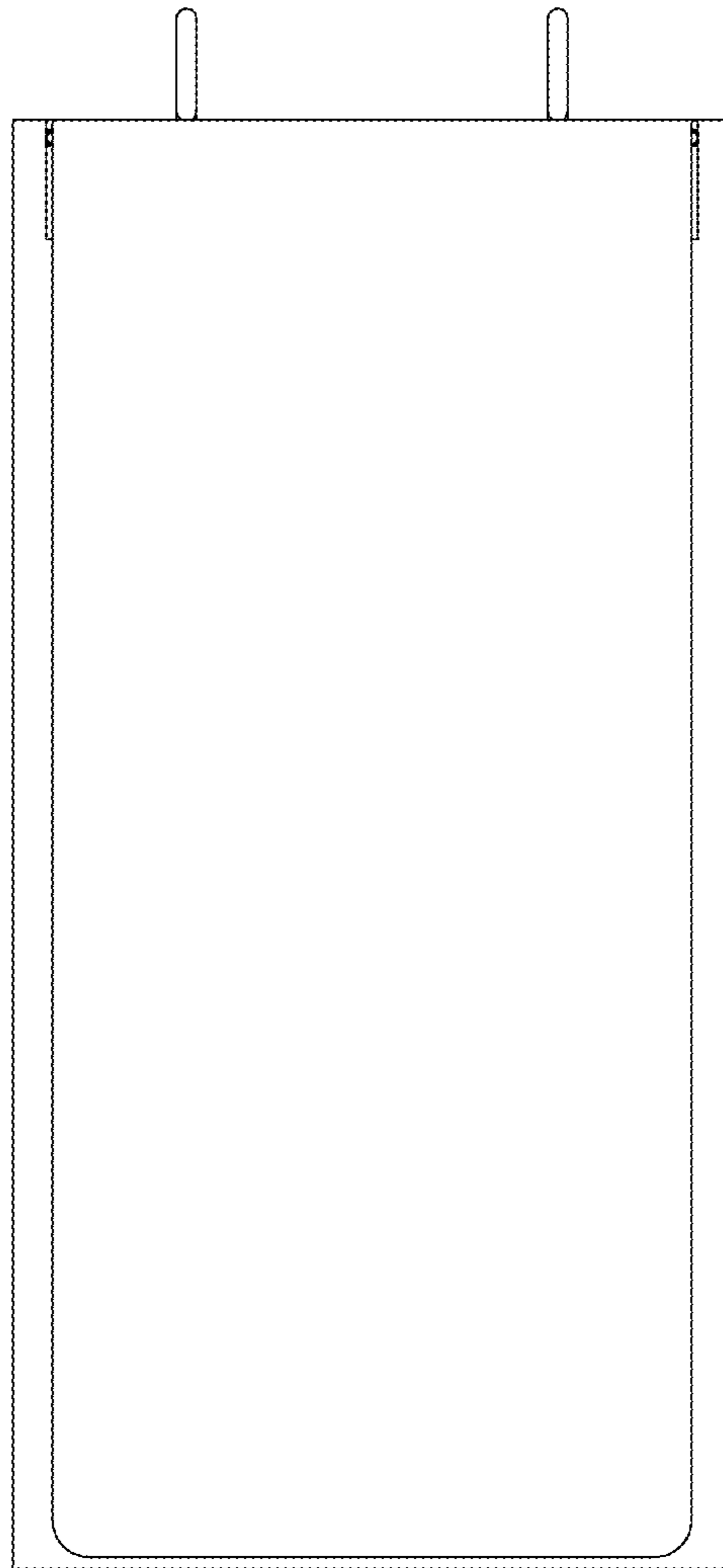


FIG. 2

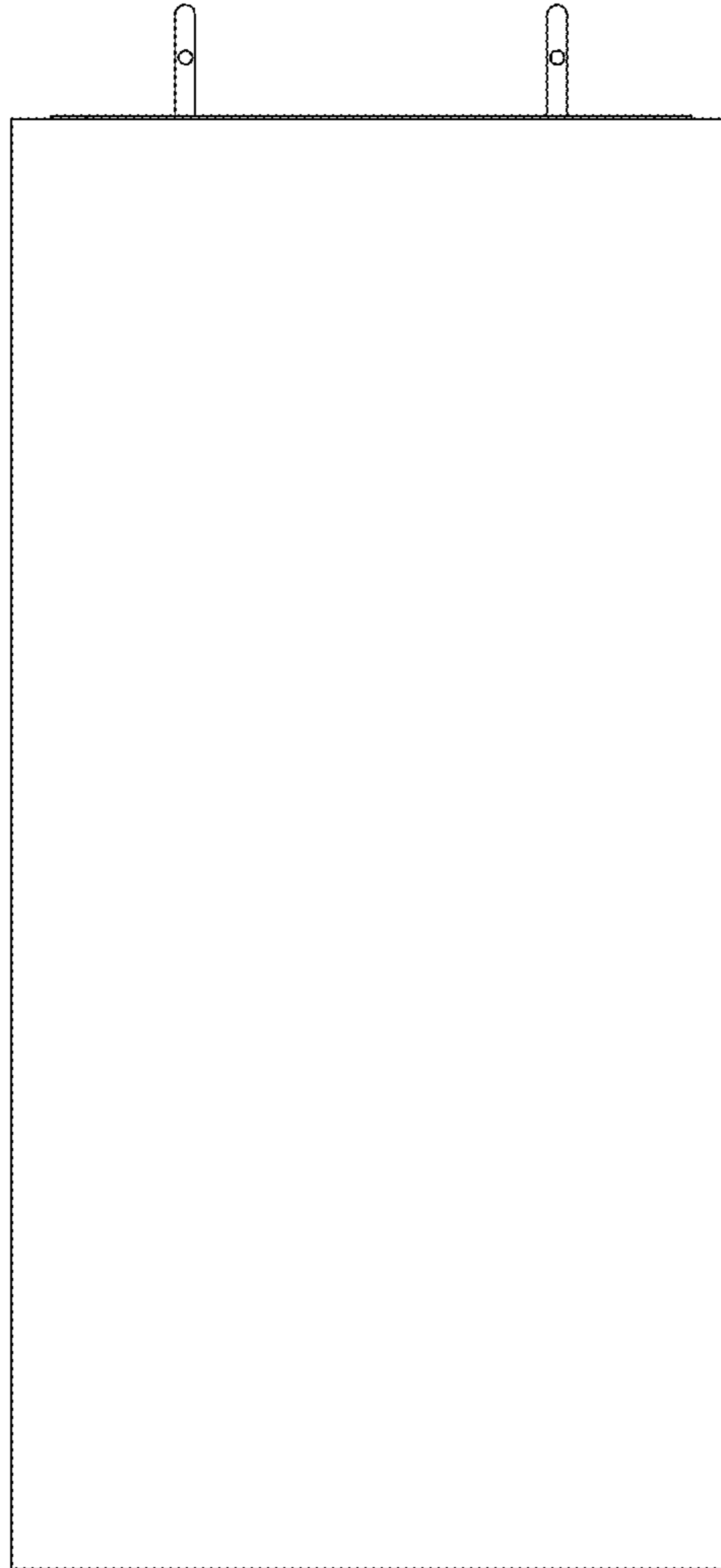


FIG. 3

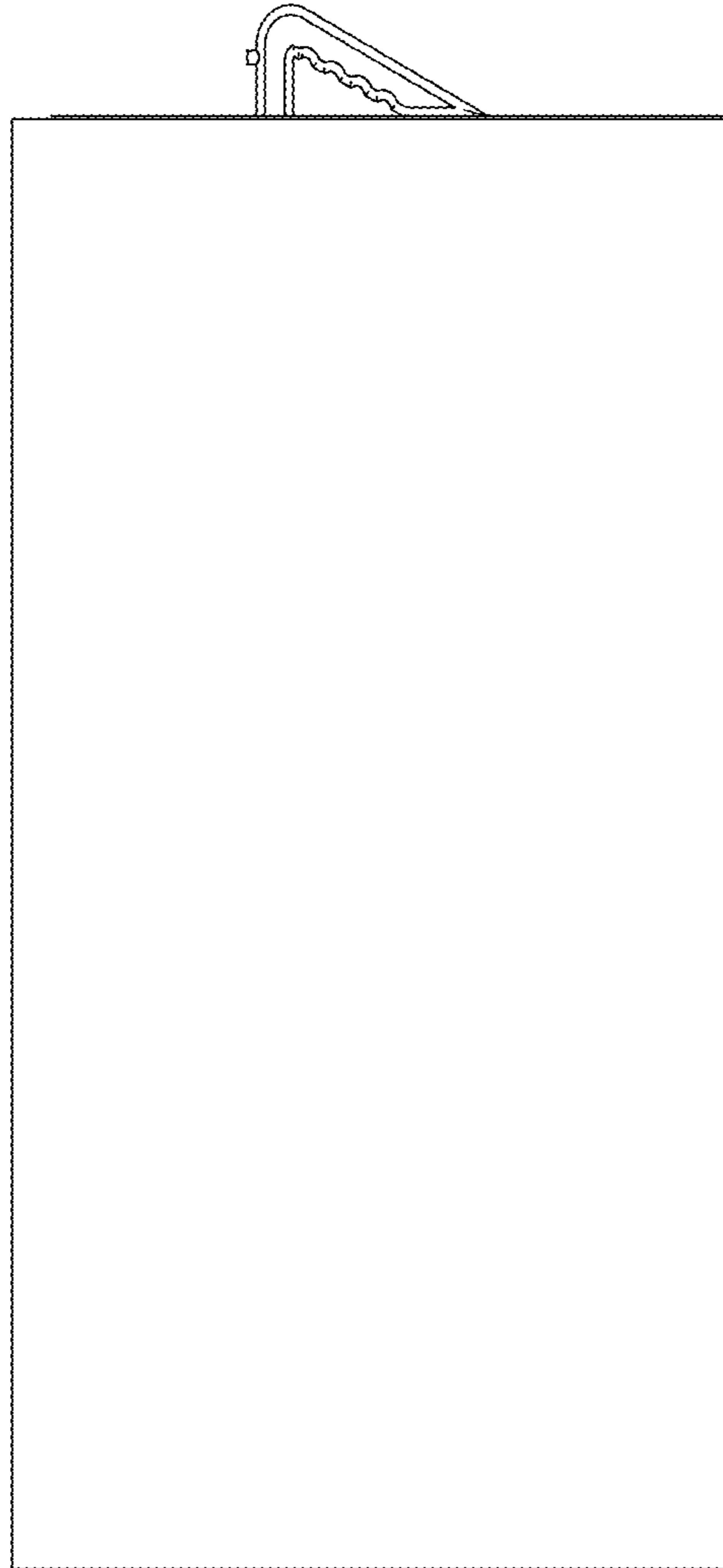


FIG. 4



FIG. 5

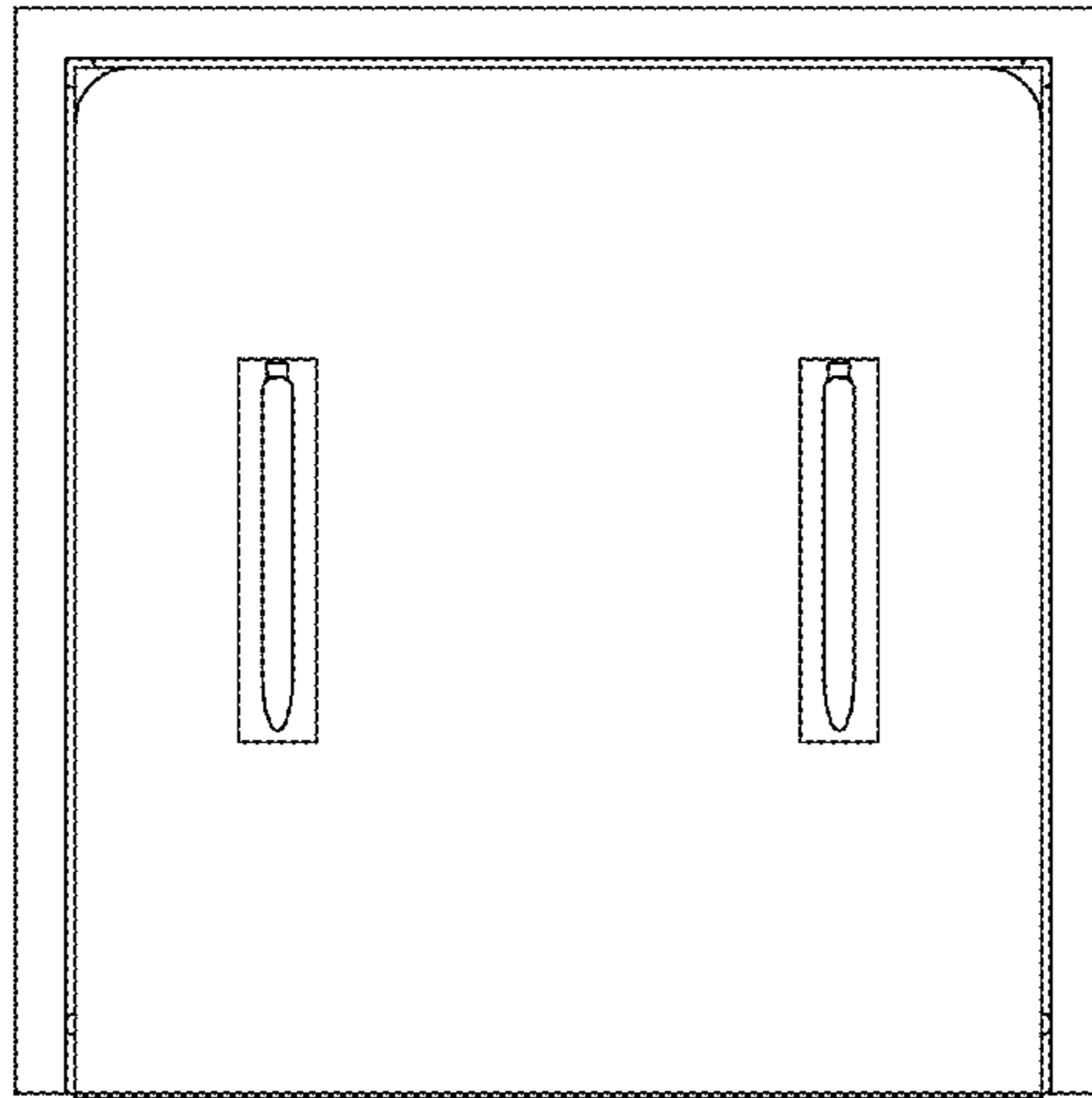


FIG. 6

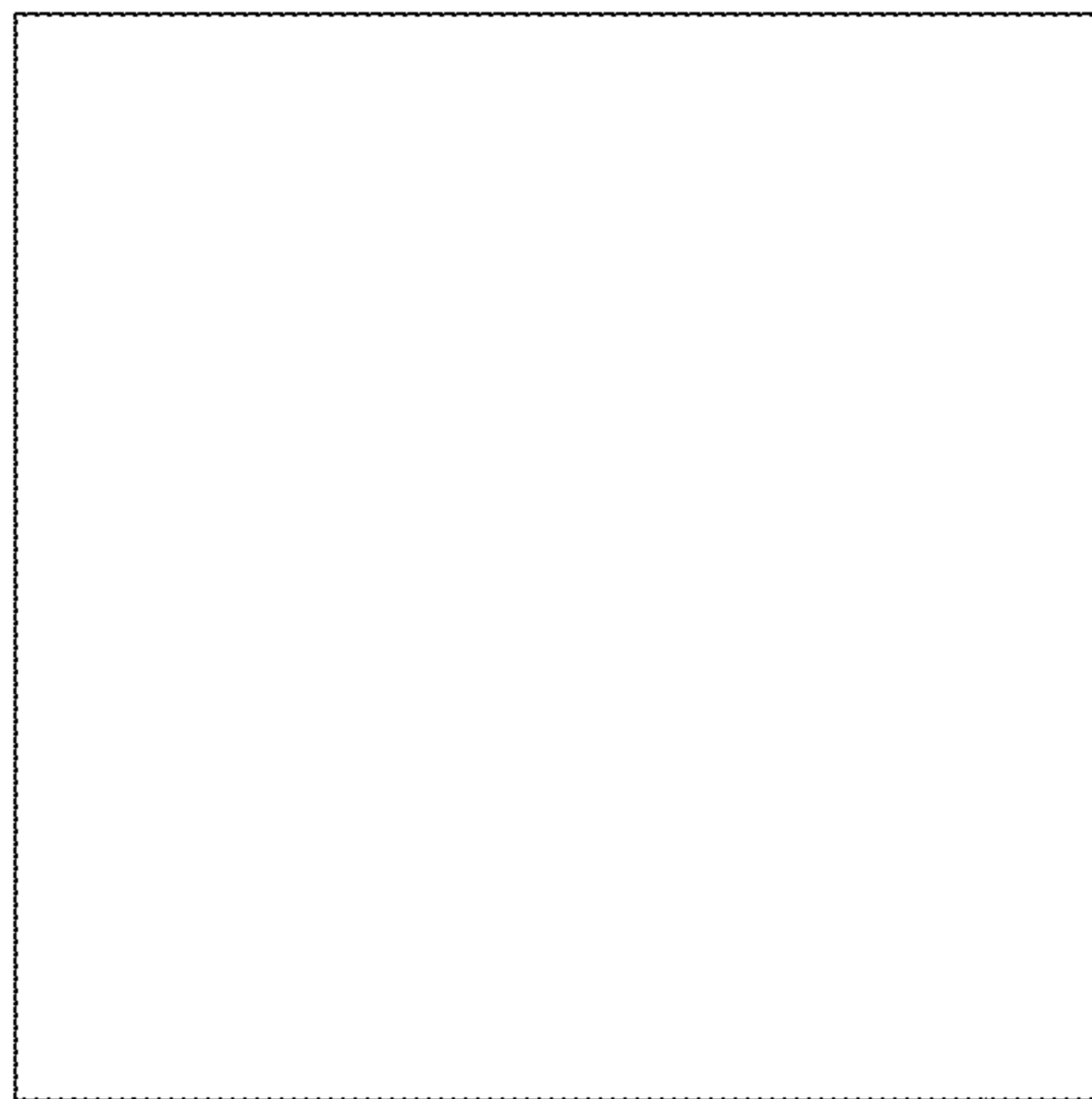


FIG. 7

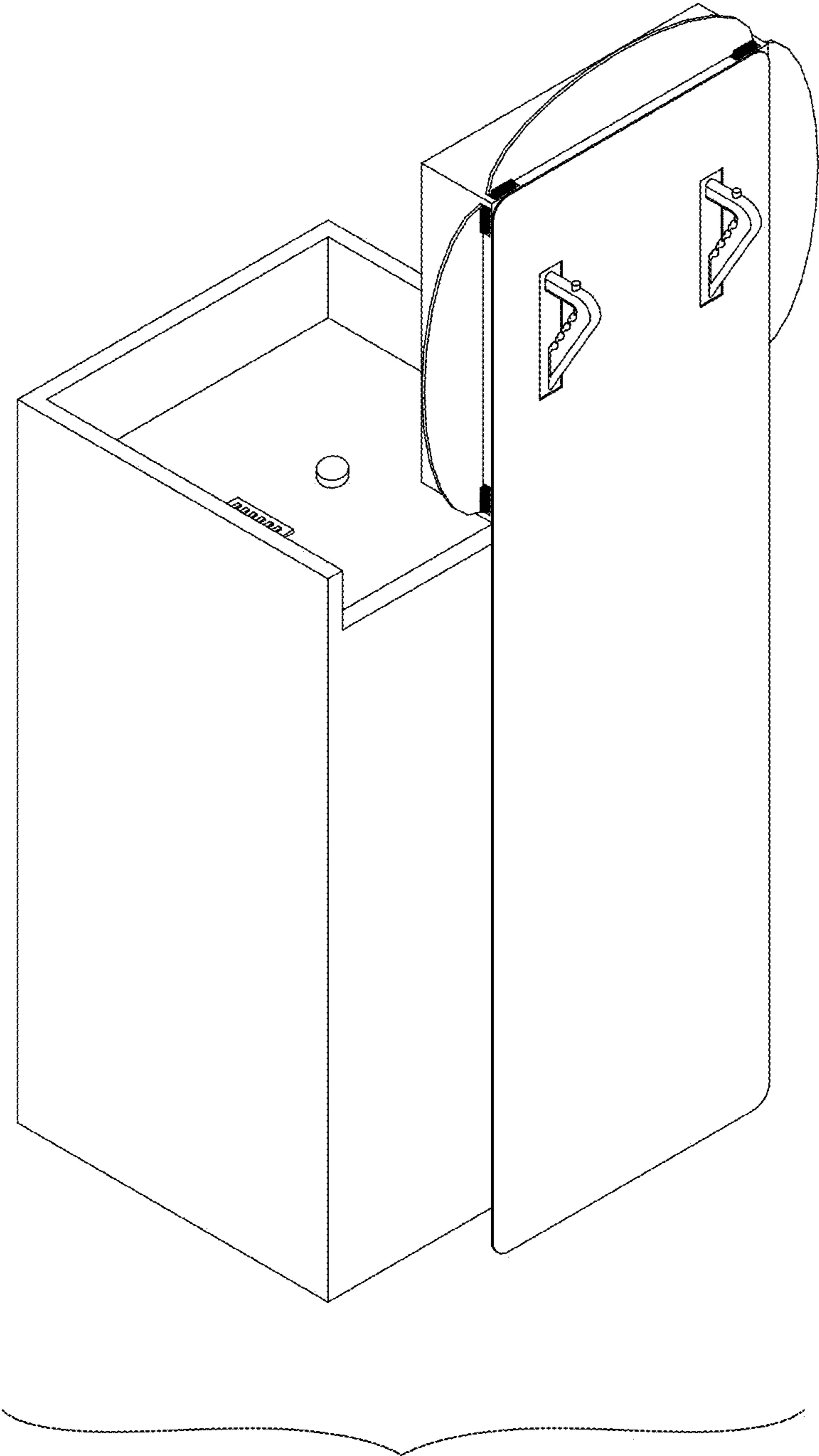


FIG. 8

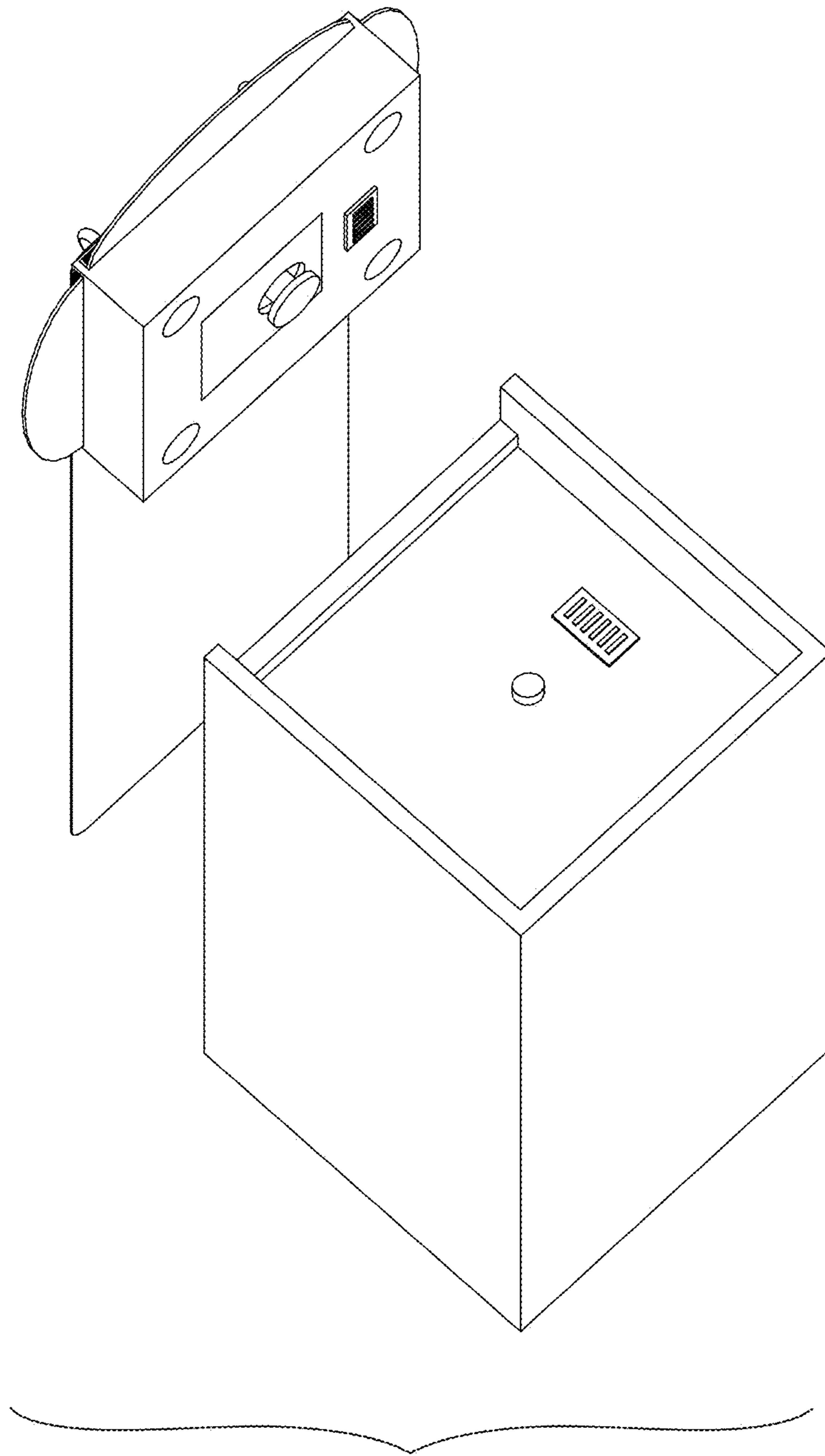


FIG. 9

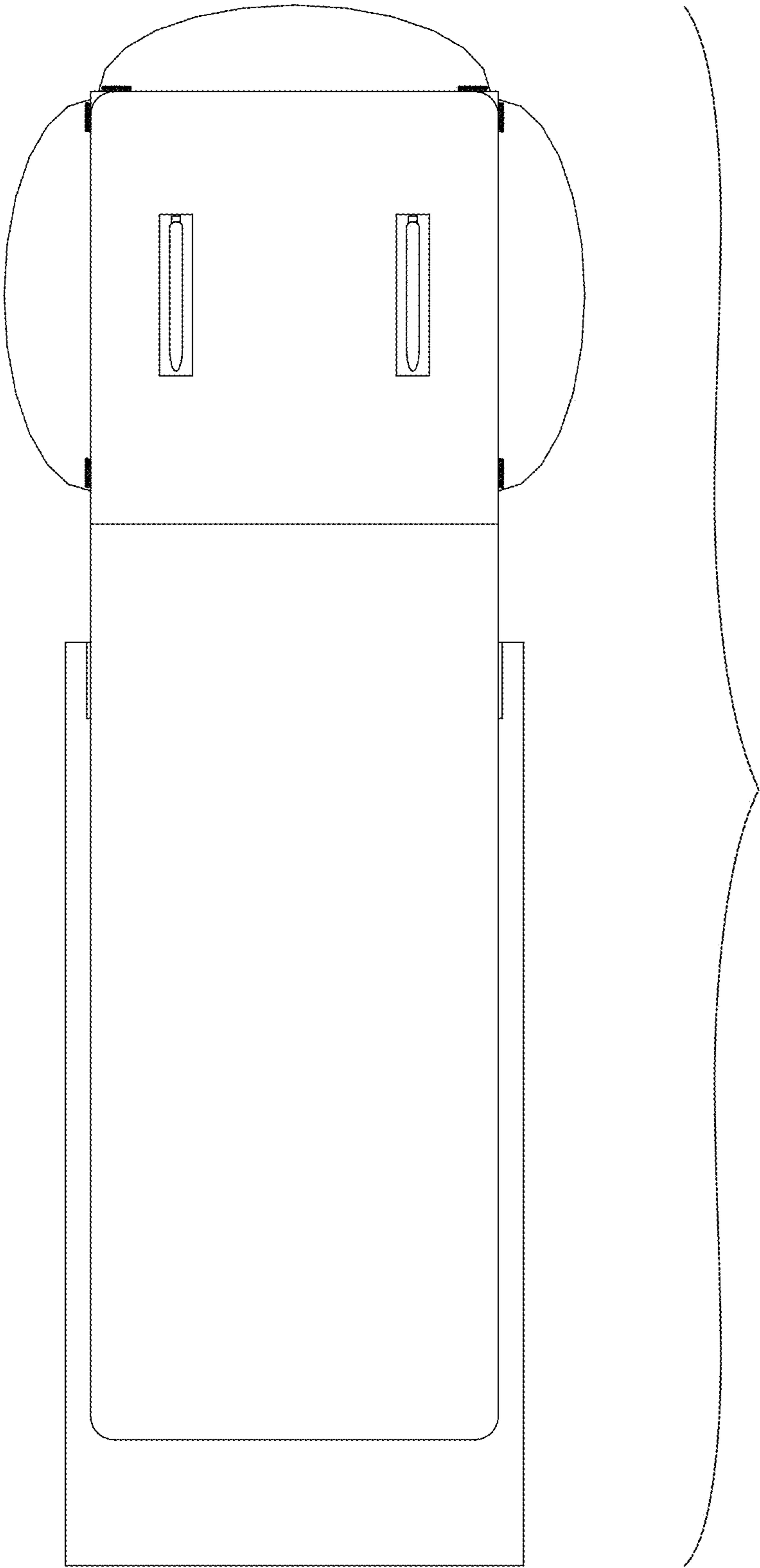


FIG. 10

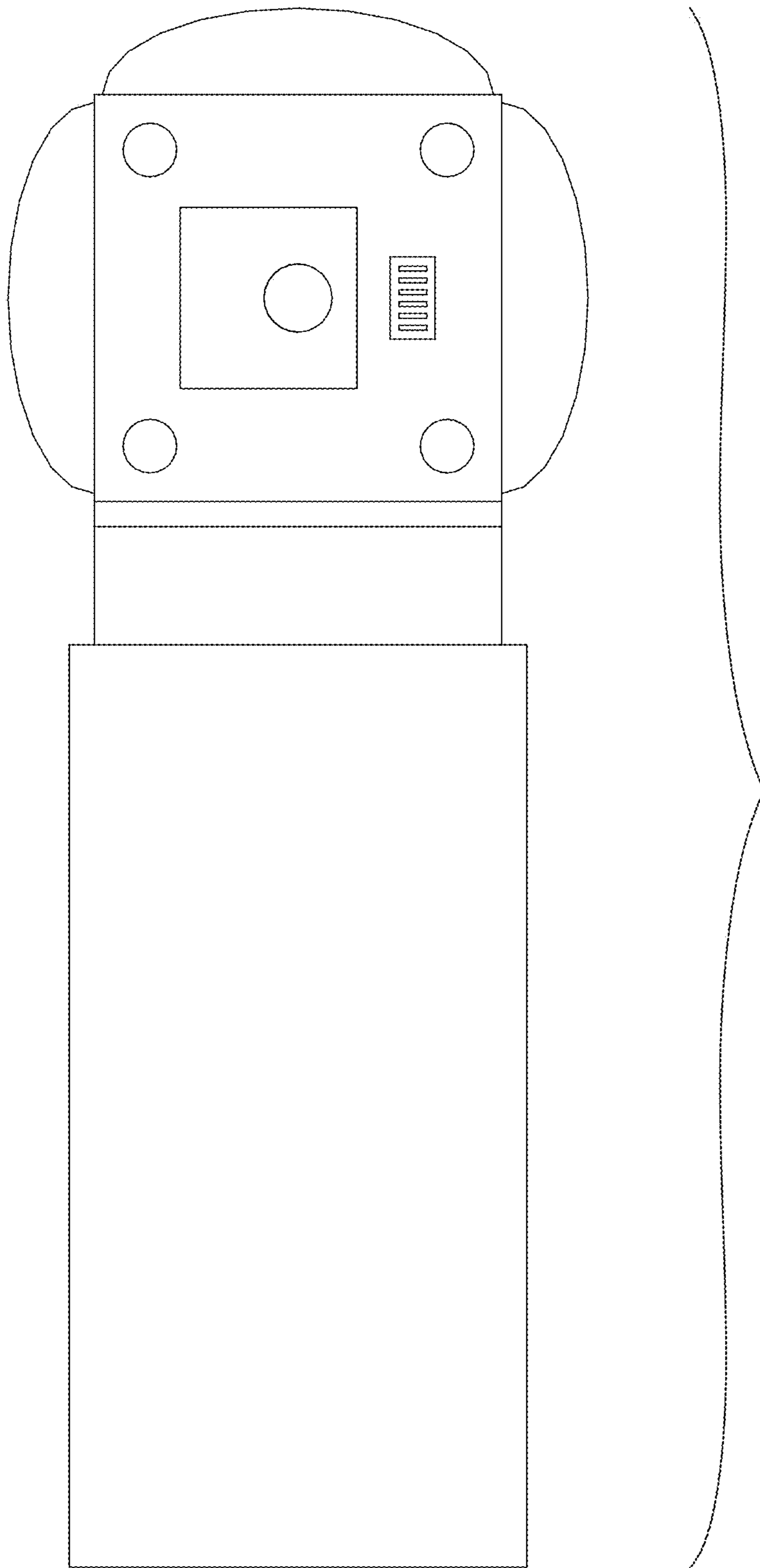


FIG. 11

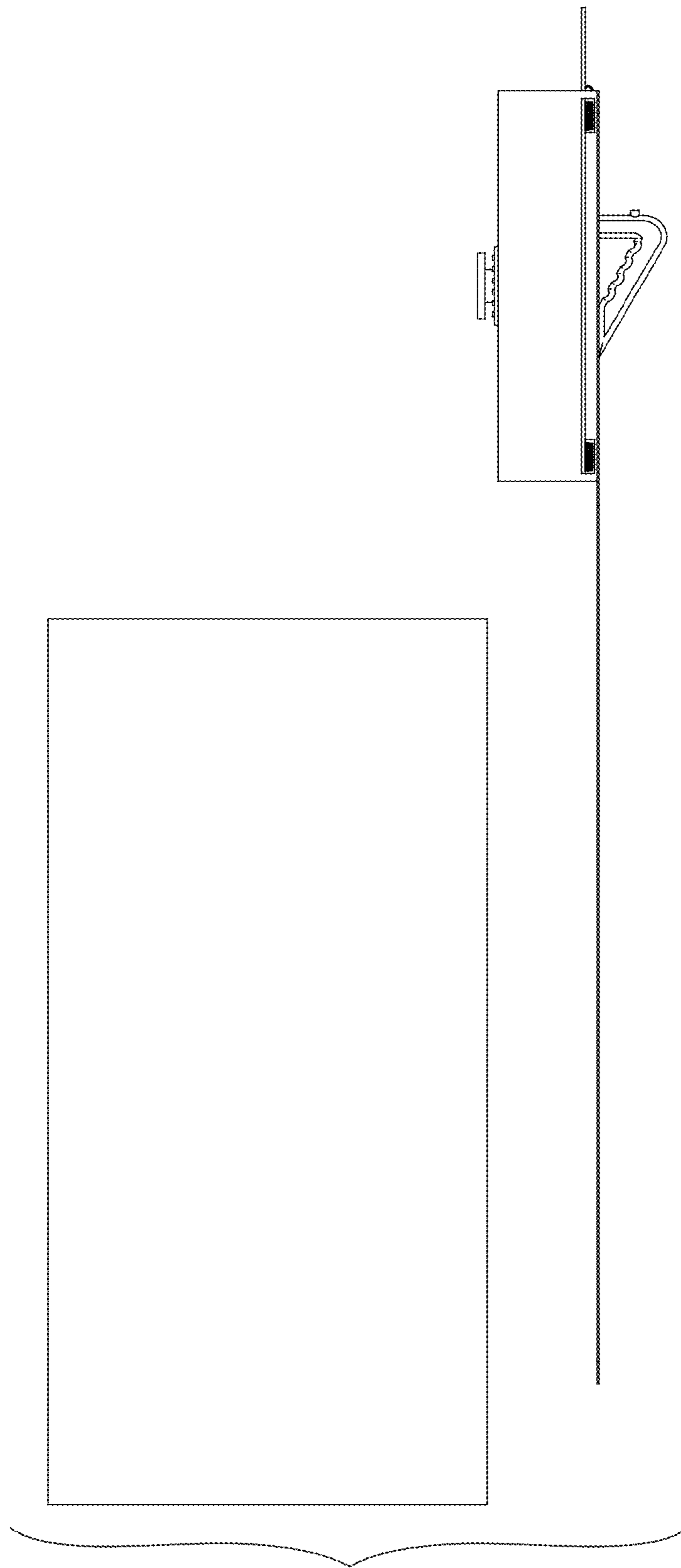


FIG. 12

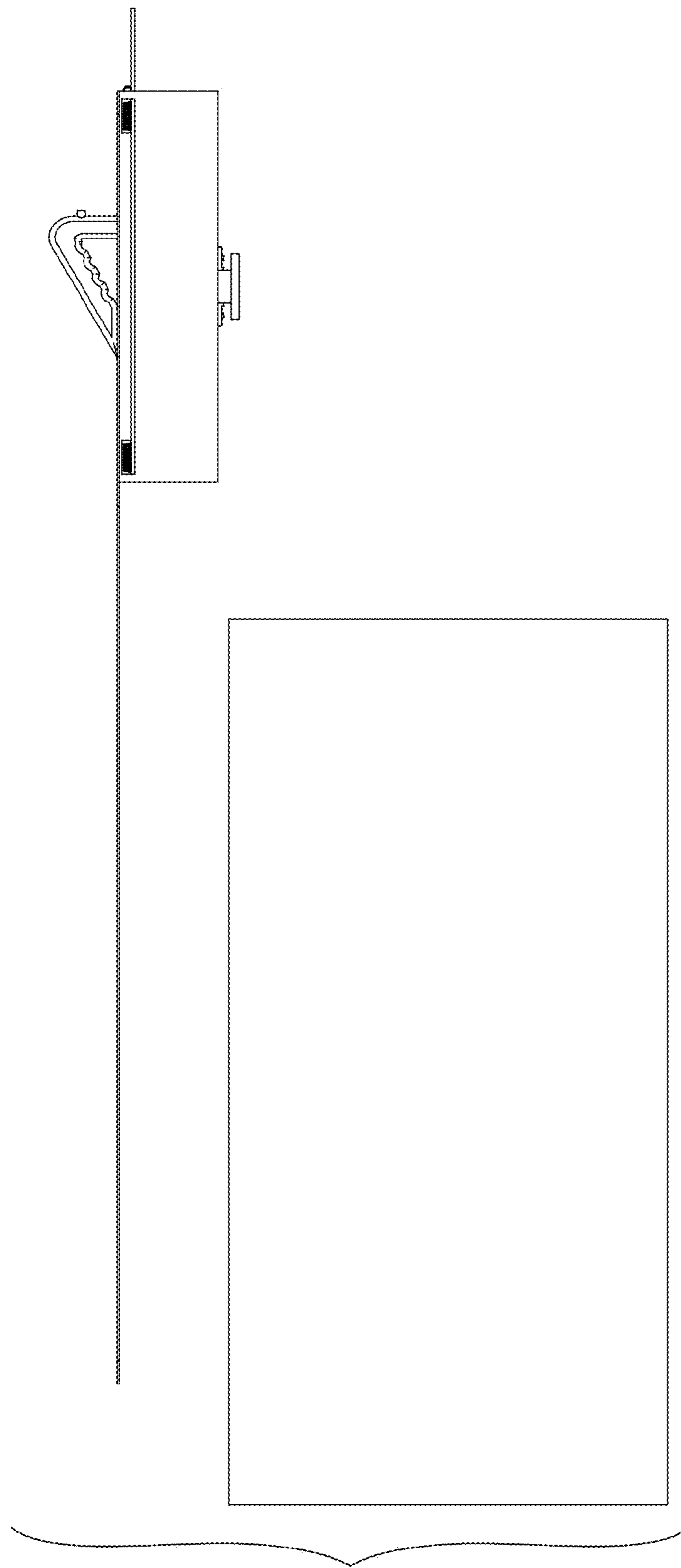


FIG. 13

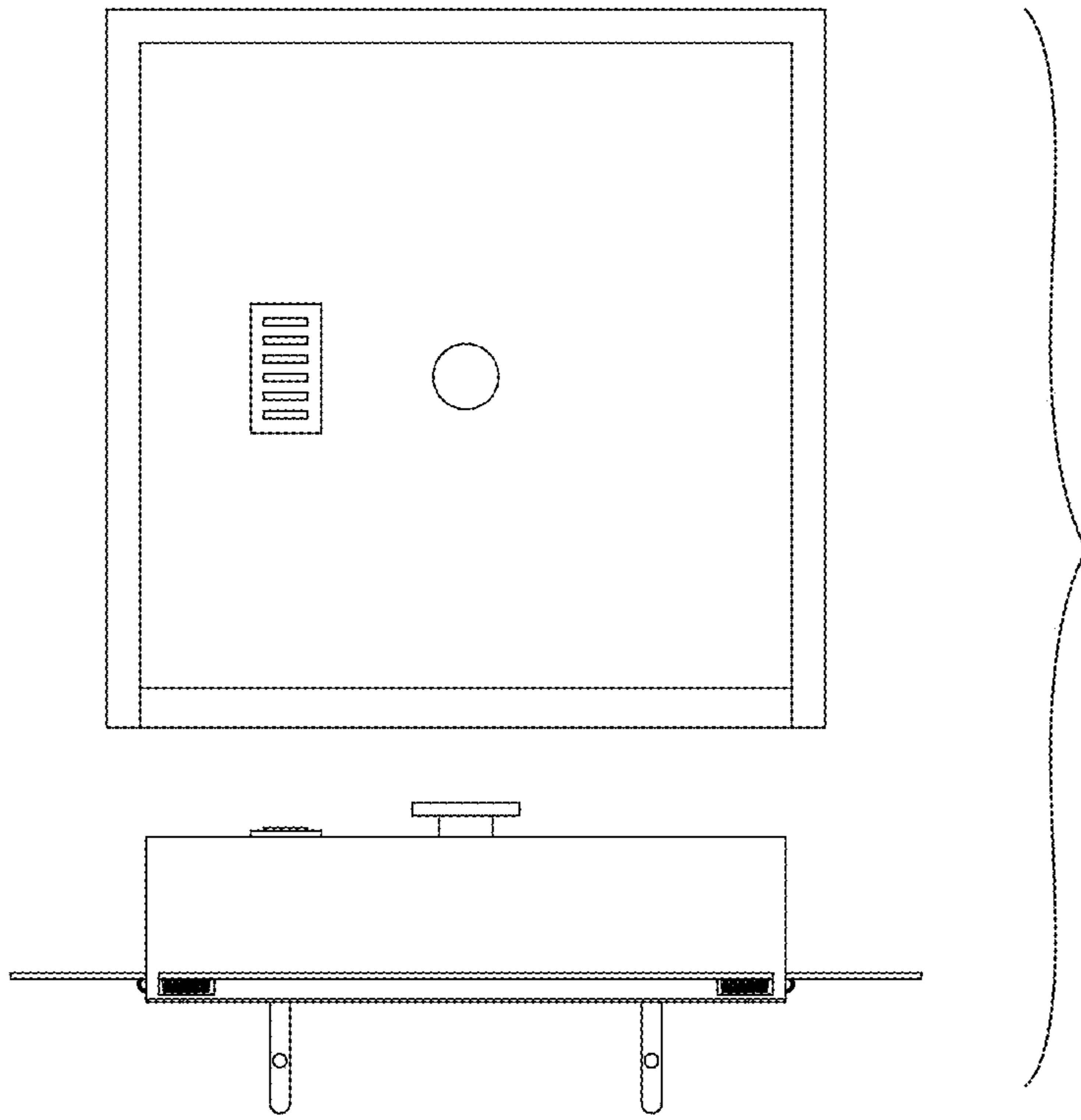


FIG. 14

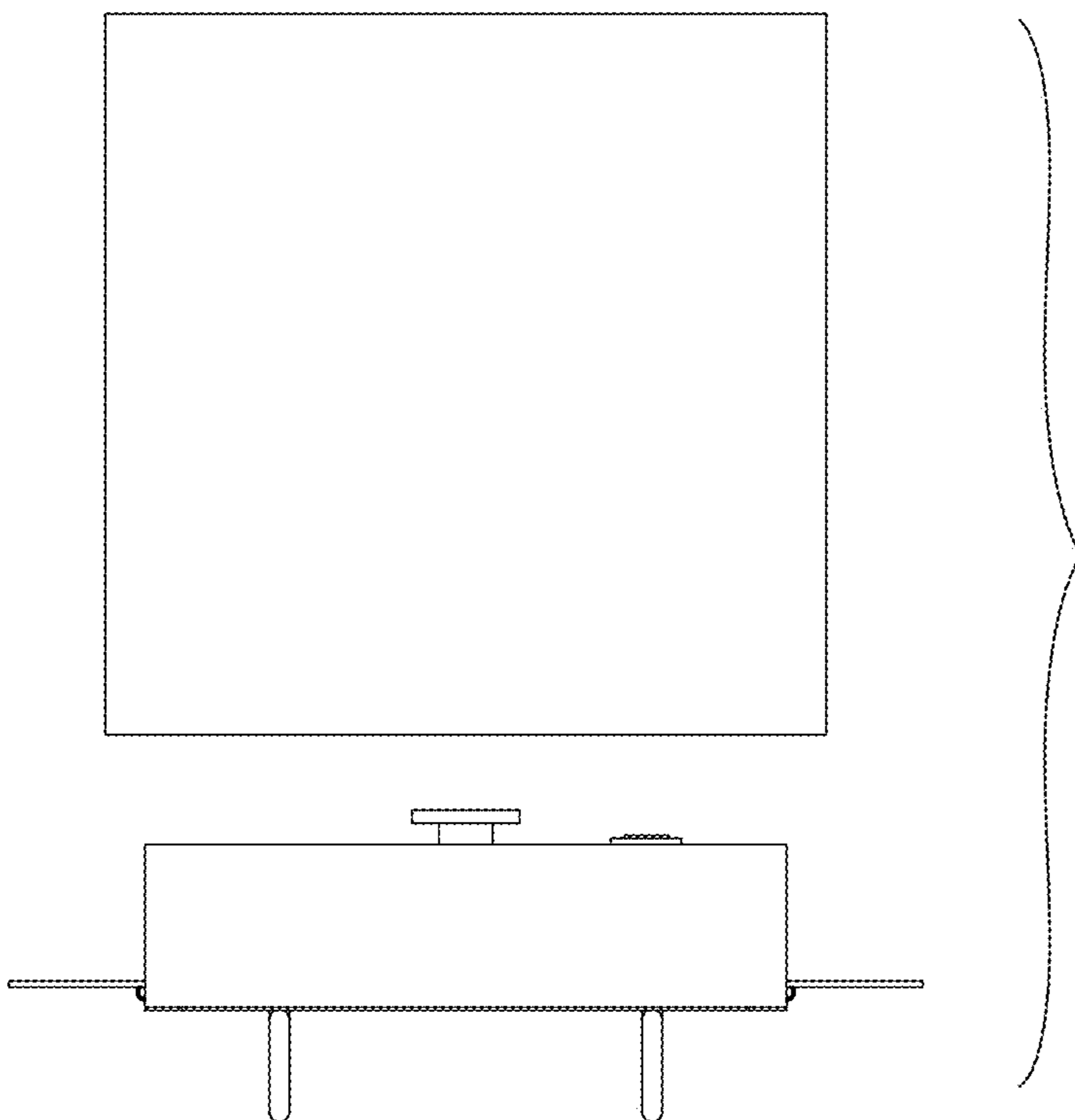


FIG. 15