

US00D927069S

(12) **United States Design Patent**
Hindash

(10) **Patent No.:** **US D927,069 S**
(45) **Date of Patent:** **** Aug. 3, 2021**

- (54) **COSMETIC PALETTE**
- (71) Applicant: **Hindash Cosmetics LLC**, Dubai (AE)
- (72) Inventor: **Mohammed Hisham F. Hindash**,
Dubai (AE)
- (73) Assignee: **Hindash Cosmetics LLC**
- (**) Term: **15 Years**
- (21) Appl. No.: **29/705,326**
- (22) Filed: **Sep. 11, 2019**
- (51) **LOC (13) Cl.** **28-03**
- (52) **U.S. Cl.**
USPC **D28/83**
- (58) **Field of Classification Search**
USPC D28/36, 64.1, 76-84, 85-91, 99;
D9/430-433, 435, 503-505, 722, 737,
D9/756, 759, 529; D3/295; D19/103,
D19/106, 112
CPC A45D 33/006; A45D 33/003; A45D
33/04-33; A45D 33/025; A45D 33/02;
A45D 33/20; A45D 33/22; A45D 33/24;
A45D 33/26; A45D 33/28; A45D 33/18;
A45D 40/22; A45D 40/222; A45D 40/24;
A41G 5/02
See application file for complete search history.

- 4,826,014 A * 5/1989 Schefer A45D 33/22
132/294
- D303,582 S * 9/1989 Gavin D28/78
- D345,826 S * 4/1994 Byars D28/83
- 5,813,420 A * 9/1998 Sussman A45D 33/006
132/294
- 5,924,426 A * 7/1999 Galazin A45D 44/005
132/200
- D468,868 S * 1/2003 Thorpe D28/83
- D656,272 S * 3/2012 Nakagawa D28/9
- 2004/0206370 A1 * 10/2004 Byun A45D 40/22
132/287
- 2016/0316886 A1 * 11/2016 Samain A45D 40/30
- 2020/0022478 A1 * 1/2020 Kelley A45D 40/24

OTHER PUBLICATIONS

Urban Decay Naked Petite Heat Review// Worth it?, published on Feb. 21, 2018 on youtube.com, retrieved on Aug. 9, 2020, retrieved from the Internet URL: <https://www.youtube.com/watch?v=018KtXr9myo>.*

(Continued)

Primary Examiner — Jennifer Rivard
Assistant Examiner — Alison M Ofstun
(74) *Attorney, Agent, or Firm* — Fox Rothschild LLP

(57) **CLAIM**

The ornamental design for a cosmetic palette, as shown and described.

DESCRIPTION

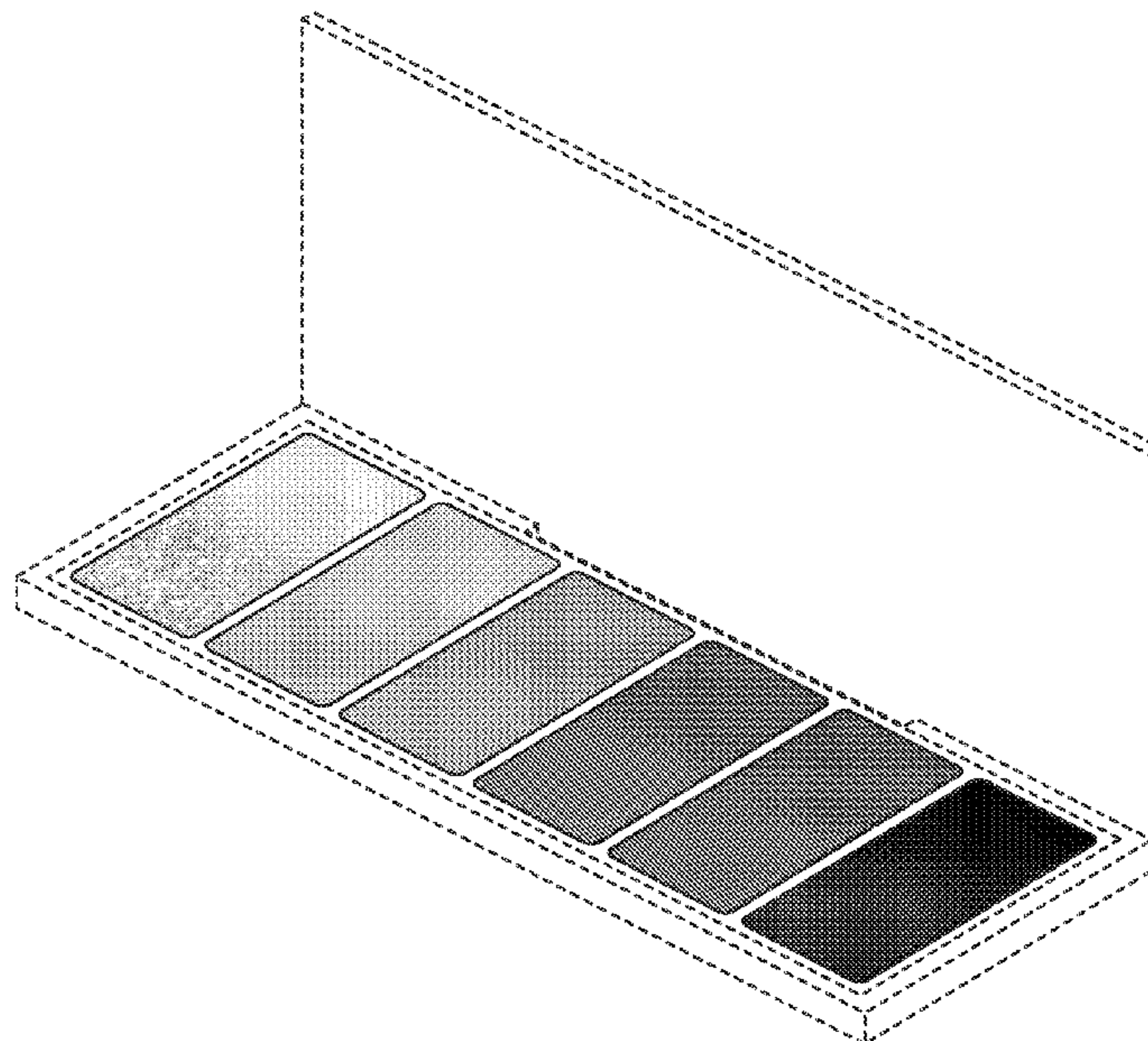
FIG. 1 is a top, front, right perspective view of a cosmetic palette showing my new design;
FIG. 2 is a front view thereof;
FIG. 3 is a right side view thereof; and,
FIG. 4 is a top view thereof.
The broken lines in the Figures depict portions of the cosmetic palette that form no part of the claimed design.

1 Claim, 2 Drawing Sheets

(56) **References Cited**

U.S. PATENT DOCUMENTS

- 2,137,477 A * 11/1938 De Haven B44D 3/02
434/98
- 4,421,127 A * 12/1983 Geer A45D 33/006
132/294
- D280,245 S * 8/1985 Buchet D28/78
- 4,589,430 A * 5/1986 Sussman A45D 40/22
132/218



(56)

References Cited

OTHER PUBLICATIONS

NYX Ombre Blush—Beauty Point of View, published on Aug. 16, 2016, retrieved on Dec. 17, 2020, retrieved from the Internet URL: <http://beautypointofview.com/nyx-ombre-blush>.*

Cargo Gradient Palette at <https://www.youtube.com/watch?v=axxe0ujeURk> (Apr. 26, 2018).

Cargo Makeup, Hd Picture Perfect Gradient Palette, Poshmark at <https://www.poshmark.com/listing/Cargo-HD-picture-perfect-gradient-palette-5ad39e5ba6e3eaa529223cab> (accessed Nov. 1, 2019).

Novo 3 Colors Gradient Matte (2019).

* cited by examiner

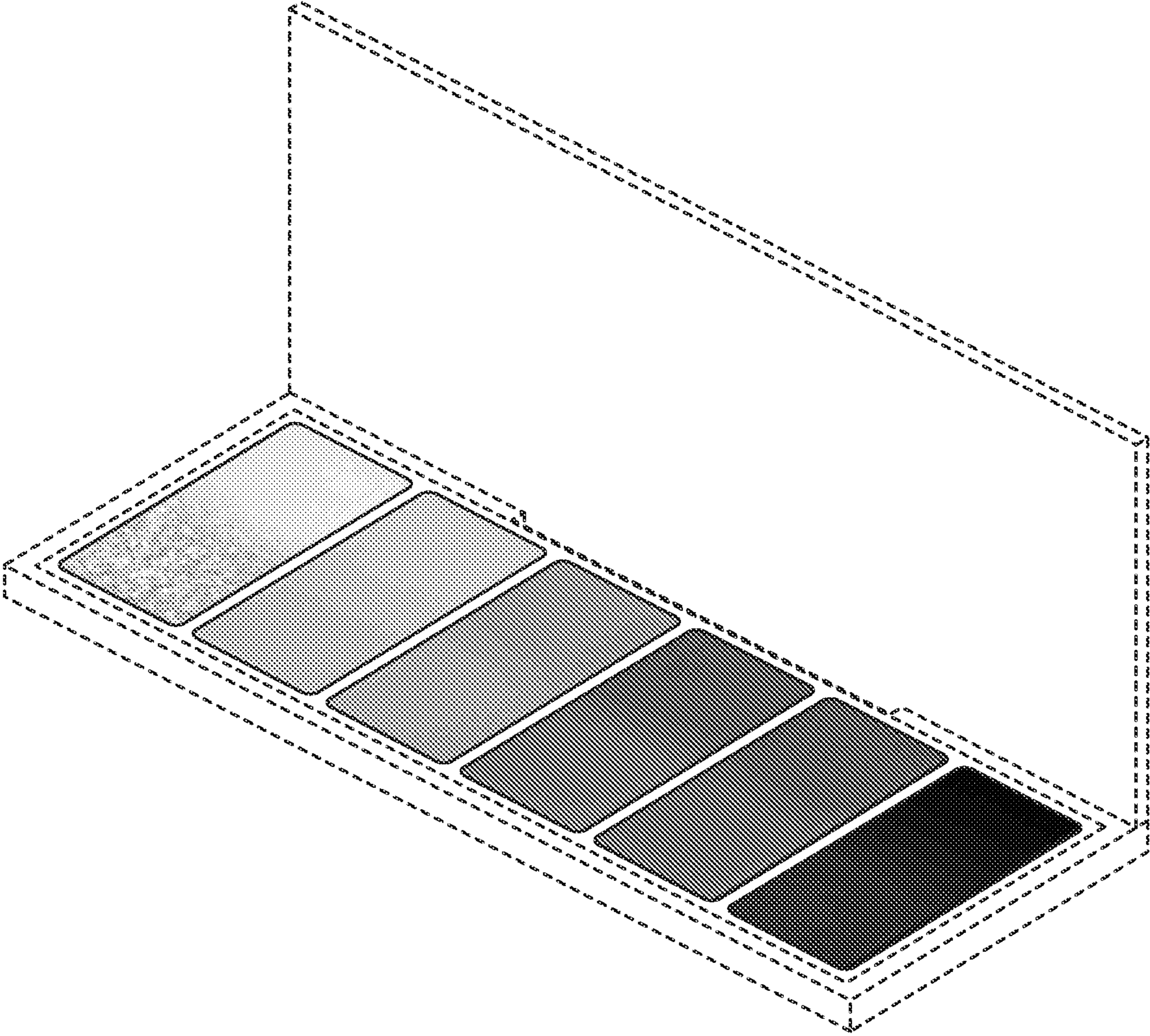


FIG. 1



FIG. 2

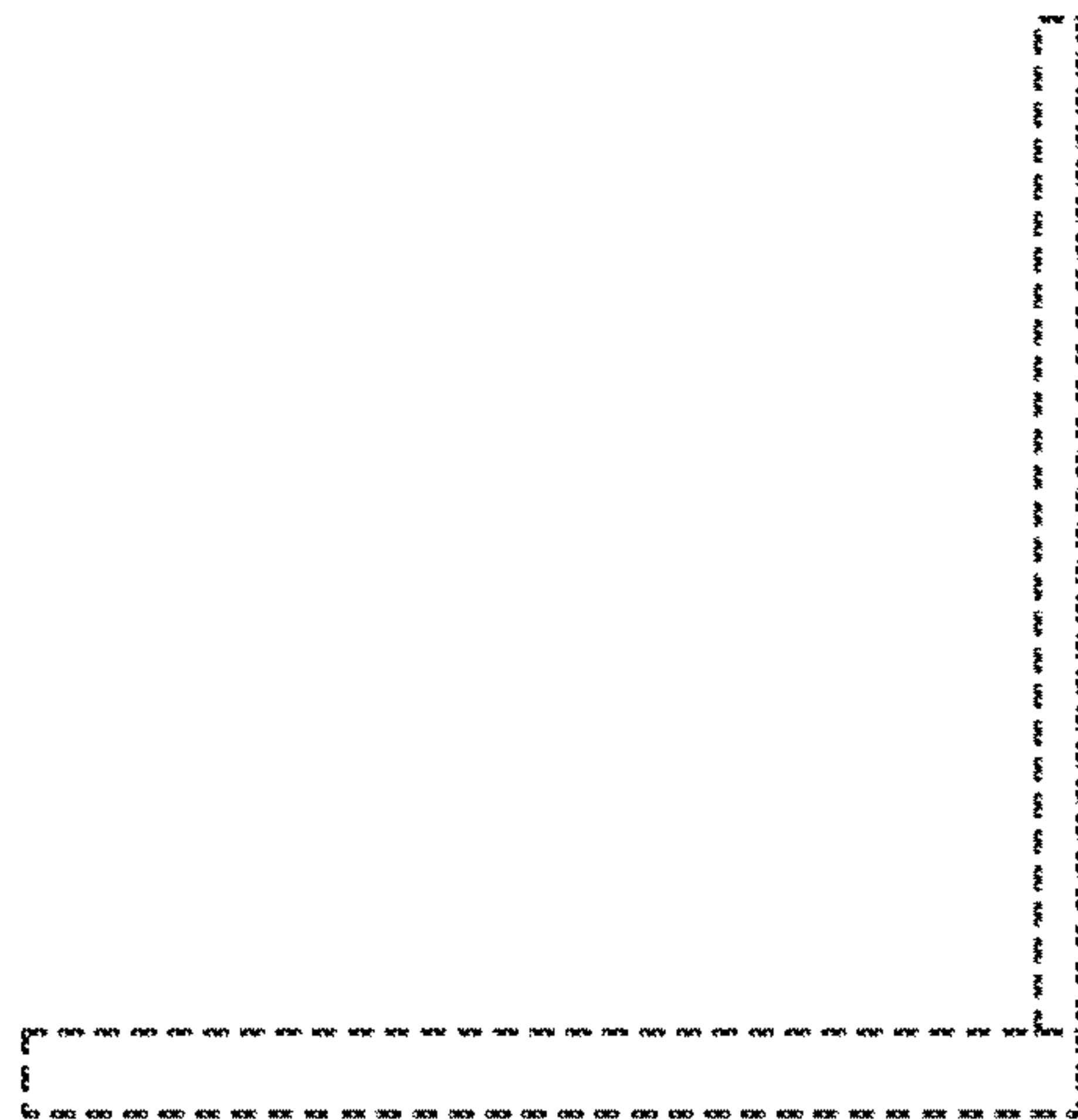


FIG. 3

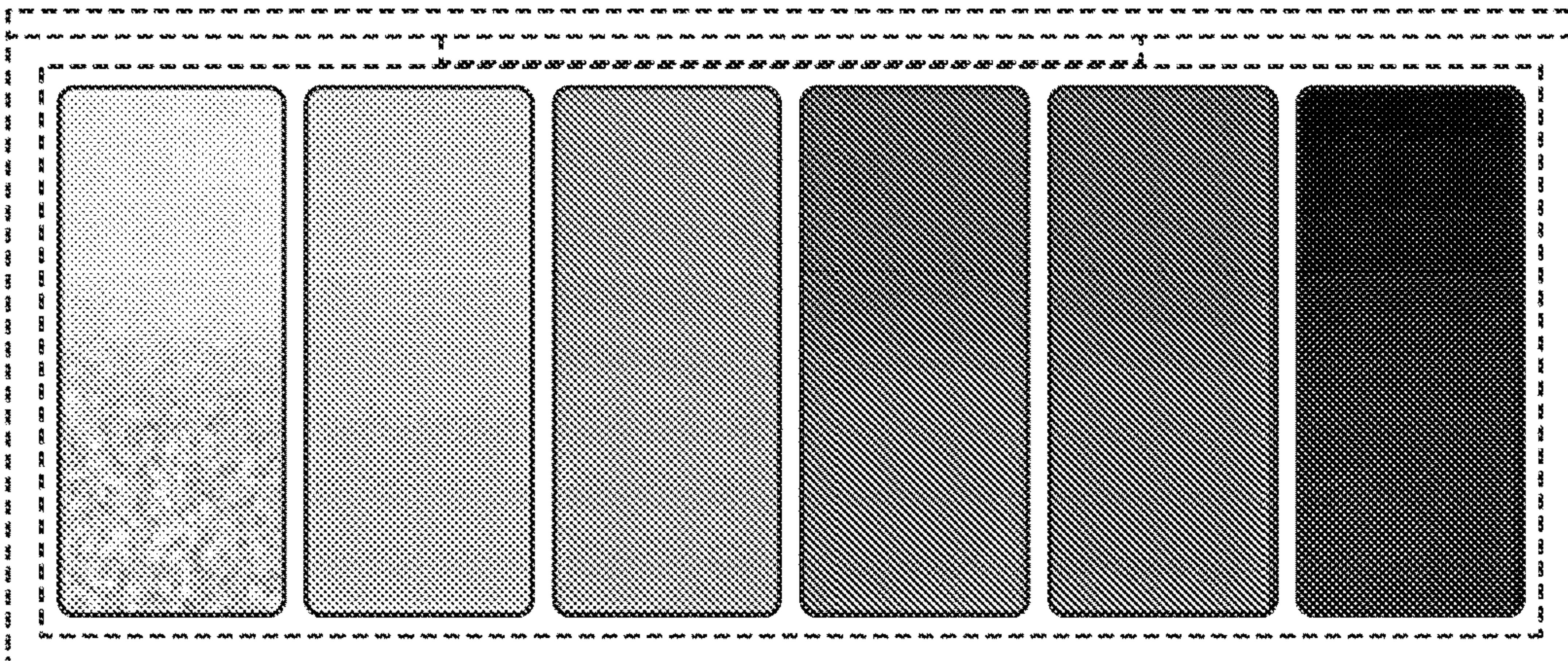


FIG. 4