



US00D927067S

(12) **United States Design Patent** (10) **Patent No.:** **US D927,067 S**  
**Rienzo et al.** (45) **Date of Patent:** **\*\* Aug. 3, 2021**

(54) **ORGANIZER**

FOREIGN PATENT DOCUMENTS

(71) Applicant: **Convenient Products International, LLC**, Brielle, NJ (US)

CN 303650204 S 4/2016  
CN 303822096 S 8/2016

(Continued)

(72) Inventors: **Barbara Rienzo**, Brielle, NJ (US);  
**Michele Fay**, Wall, NJ (US); **Peter Rienzo**, Brielle, NJ (US)

OTHER PUBLICATIONS

(73) Assignee: **Convenient Products International, LLC**, Howell, NJ (US)

Saloniture Tabletop Hair Iron & Blow Dryer Holder [online], [site visited Apr. 19, 2021]. Available from internet, URL: <<https://www.amazon.com/Saloniture-Tabletop-Hair-Dryer-Holder/dp/B00I4ZS8FC/>> (Year: 2015).\*

(Continued)

(\*\*) Term: **15 Years**

(21) Appl. No.: **29/691,462**

*Primary Examiner* — Cynthia Ramirez

(22) Filed: **May 16, 2019**

*Assistant Examiner* — Xavier Marti-Santos

(51) **LOC (13) Cl.** ..... **28-03**

(74) *Attorney, Agent, or Firm* — Werschulz Patent Law, LLC; Patricia P. Werschulz, Esq.

(52) **U.S. Cl.**

USPC ..... **D28/73**

(58) **Field of Classification Search**

USPC ..... D6/513, 525, 531, 567, 570, 571;  
D7/600.1–600.4, 704; D19/75, 77;  
D28/38, 56, 57, 59, 61, 62, 73, 77, 78,  
D28/83, 99

CPC .... A45C 11/00; A45D 33/003; A45D 33/006;  
A45D 33/22; A45D 33/24; A45D 33/26;  
A45D 33/28; A45D 40/24; A45D  
2033/001; A47G 29/08

See application file for complete search history.

(57) **CLAIM**

The ornamental design for an organizer, as shown and described.

**DESCRIPTION**

FIG. 1 is a perspective view of an organizer, showing our new design;

FIG. 2 is a front elevational view thereof;

FIG. 3 is a rear elevational view thereof;

FIG. 4 is a left side elevational view thereof;

FIG. 5 is a right side elevational view thereof;

FIG. 6 is a top plan view thereof;

FIG. 7 is a bottom plan view thereof; and,

FIG. 8 is a perspective view of the organizer in use.

The broken lines in the figures are for the purpose of illustrating portions of the organizer, which form no part of the claimed design. The additional broken lines representing environmental association matter being for illustrative purpose only and form no part of the claimed design.

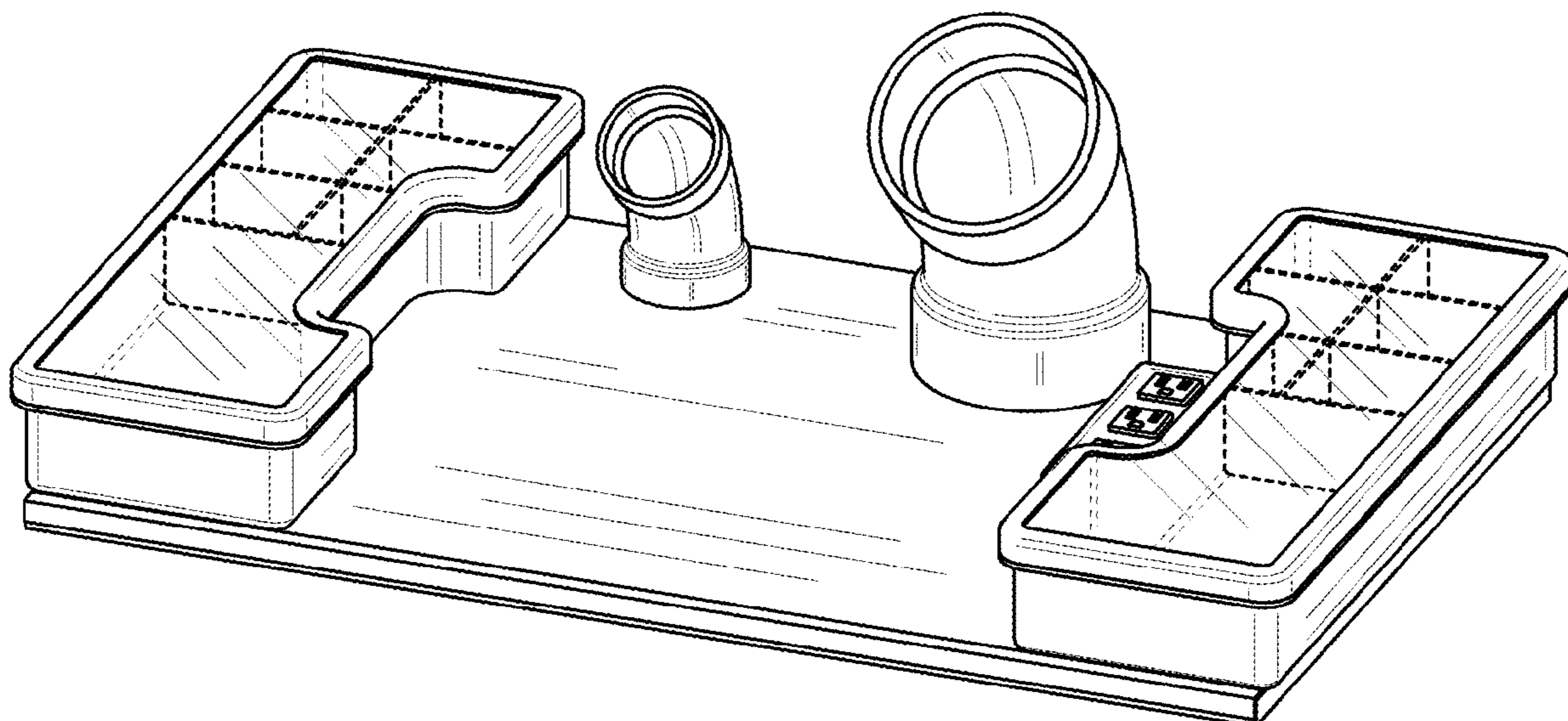
(56) **References Cited**

U.S. PATENT DOCUMENTS

D117,401 S \* 10/1939 Long ..... D28/73  
D264,442 S \* 5/1982 Diskin ..... D10/22  
D301,590 S \* 6/1989 Foran ..... D19/77  
D317,461 S \* 6/1991 Willie ..... D19/75  
D333,841 S \* 3/1993 Henricksen ..... D19/75  
6,591,990 B2 \* 7/2003 Lanman ..... B43M 99/001  
206/214  
D487,170 S \* 2/2004 Petruccelli ..... D28/73

(Continued)

**1 Claim, 5 Drawing Sheets**



(56)

References Cited

U.S. PATENT DOCUMENTS

D548,888 S 8/2007 McCambridge  
 D611,657 S 3/2010 Maddy et al.  
 D667,503 S \* 9/2012 Ranby ..... D19/75  
 D727,623 S \* 4/2015 Nickell ..... D3/313  
 D768,933 S \* 10/2016 Green ..... D28/73  
 D845,550 S \* 4/2019 Yang ..... D28/73  
 D850,727 S \* 6/2019 Petrucci ..... D28/73  
 D908,436 S \* 1/2021 Lu ..... D7/553.2

FOREIGN PATENT DOCUMENTS

CN 304539677 S 3/2018  
 CN 304774792 S 8/2018  
 CN 304943865 S 12/2018  
 EM 0014671040001 7/2018  
 GB 4041017 S 5/2015  
 JP D1059447 S 1/2000

JP 1148512 S 7/2002  
 KR 3007090550000 9/2013  
 KR 3008463740000 3/2016  
 KR 3007054470000 8/2019

OTHER PUBLICATIONS

Blow Dryer & Hair Iron Holder [online], [site visited Apr. 19, 2021]. Available from internet, URL: <<https://mixwholesale.com/products/blow-dryer-hair-iron-holder-w-3-outlets-clamp-by-saloniture>> (Year: 2021).\*

Anonymous, Over-the-sink-organizer, found on Pinterest, URL: <https://in.pinterest.com/pin/570338740306266074/?lp=true> Accessed: Mar. 22, 2019.

Anonymous, The Matte, Amazon, accessed Mar. 22, 2019, travel URL: <https://www.amazon.com/Matte-Organizer-Bathroom-Instant-Essential-bathroom/dp/B01N1V1OMC?th=1>.

\* cited by examiner

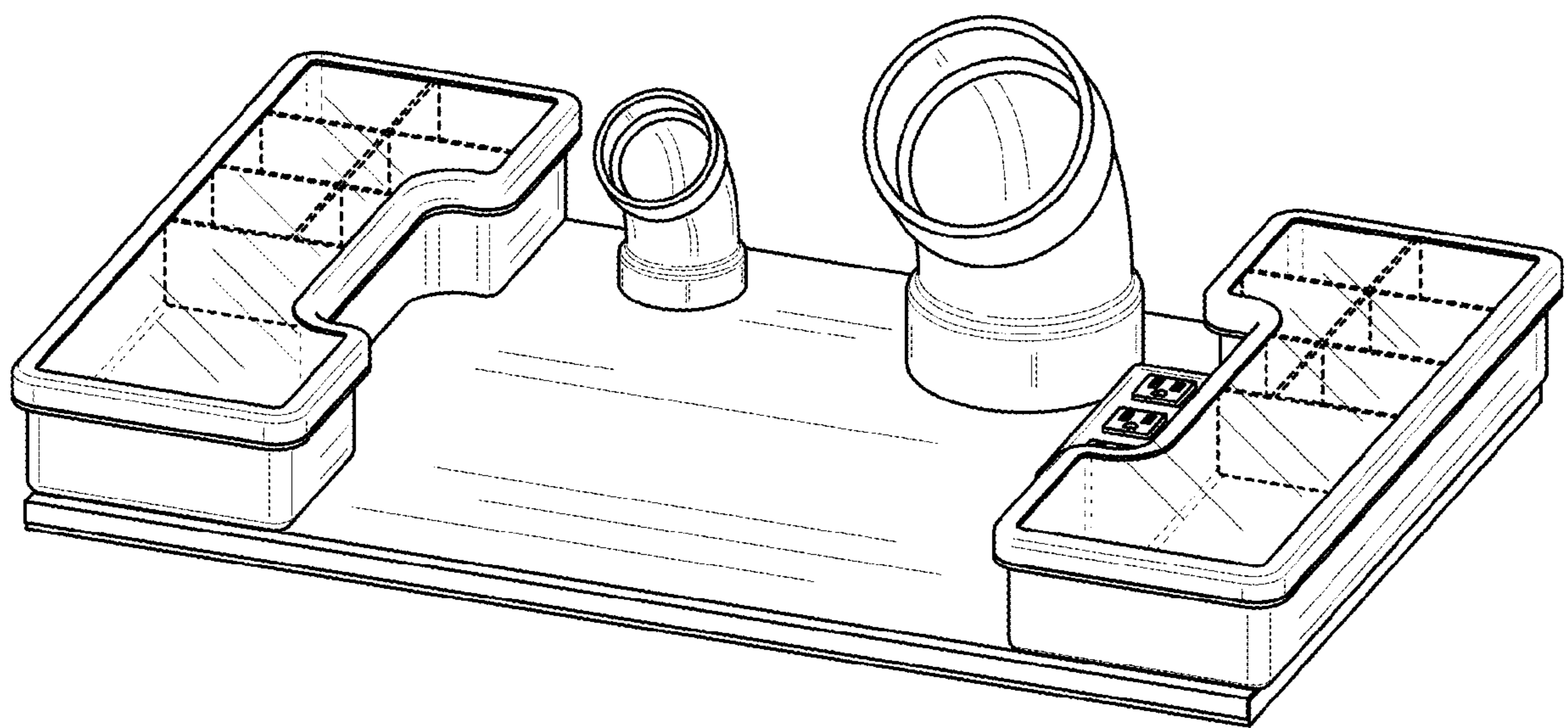
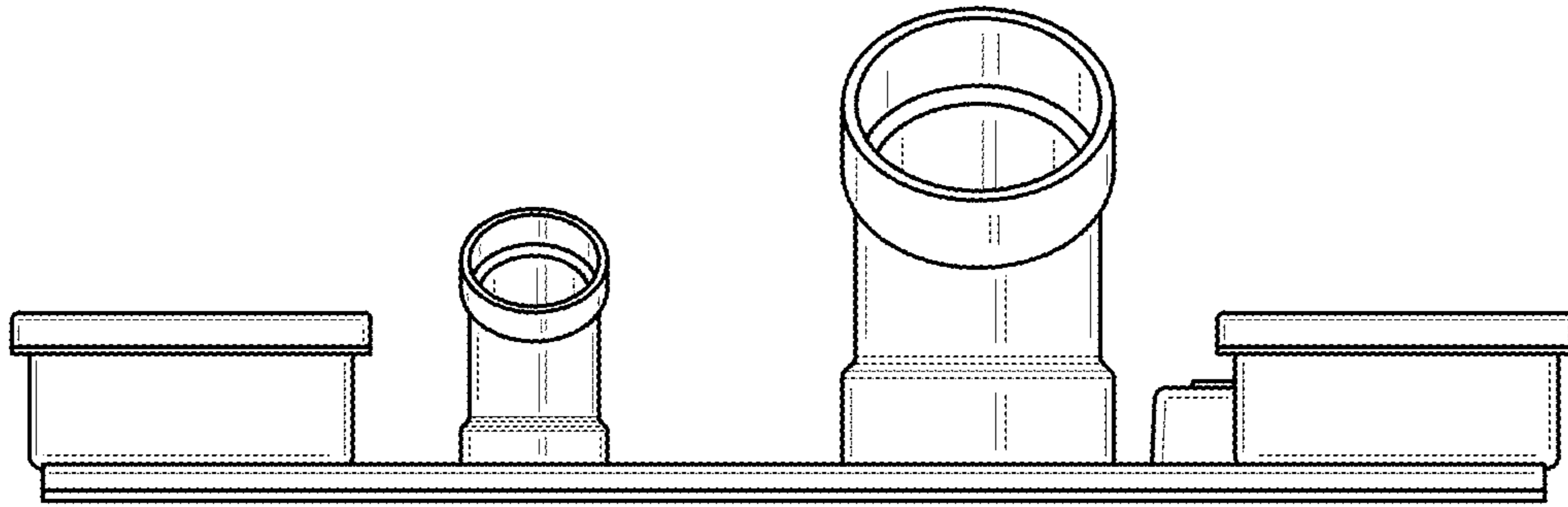
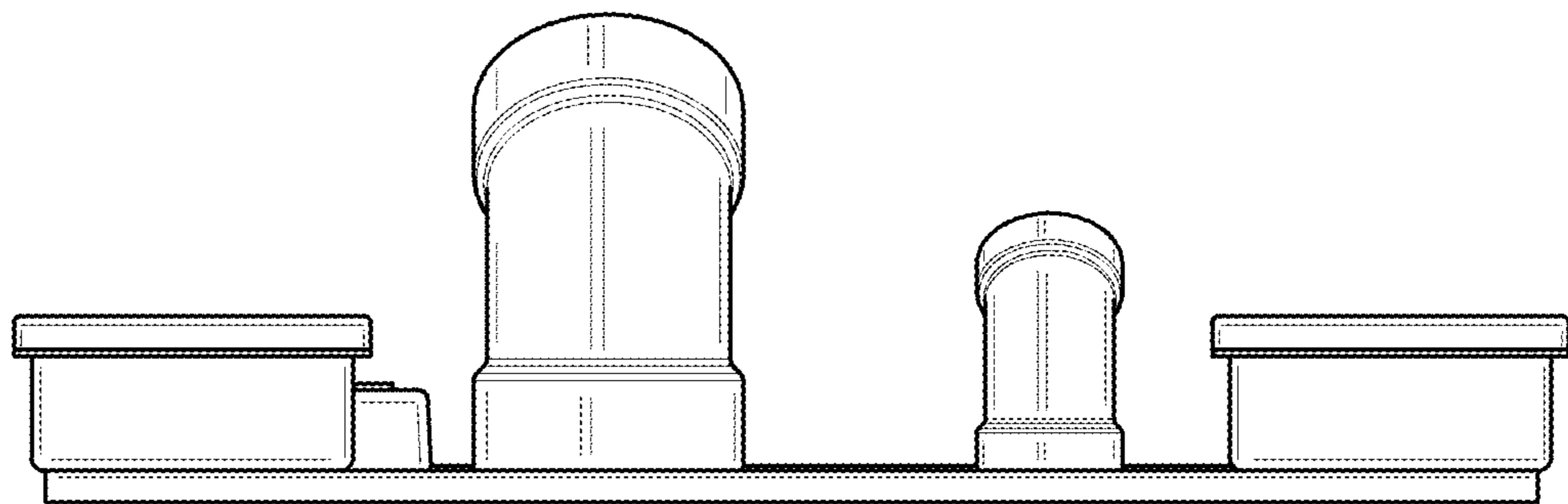


FIG. 1



*FIG. 2*



*FIG. 3*

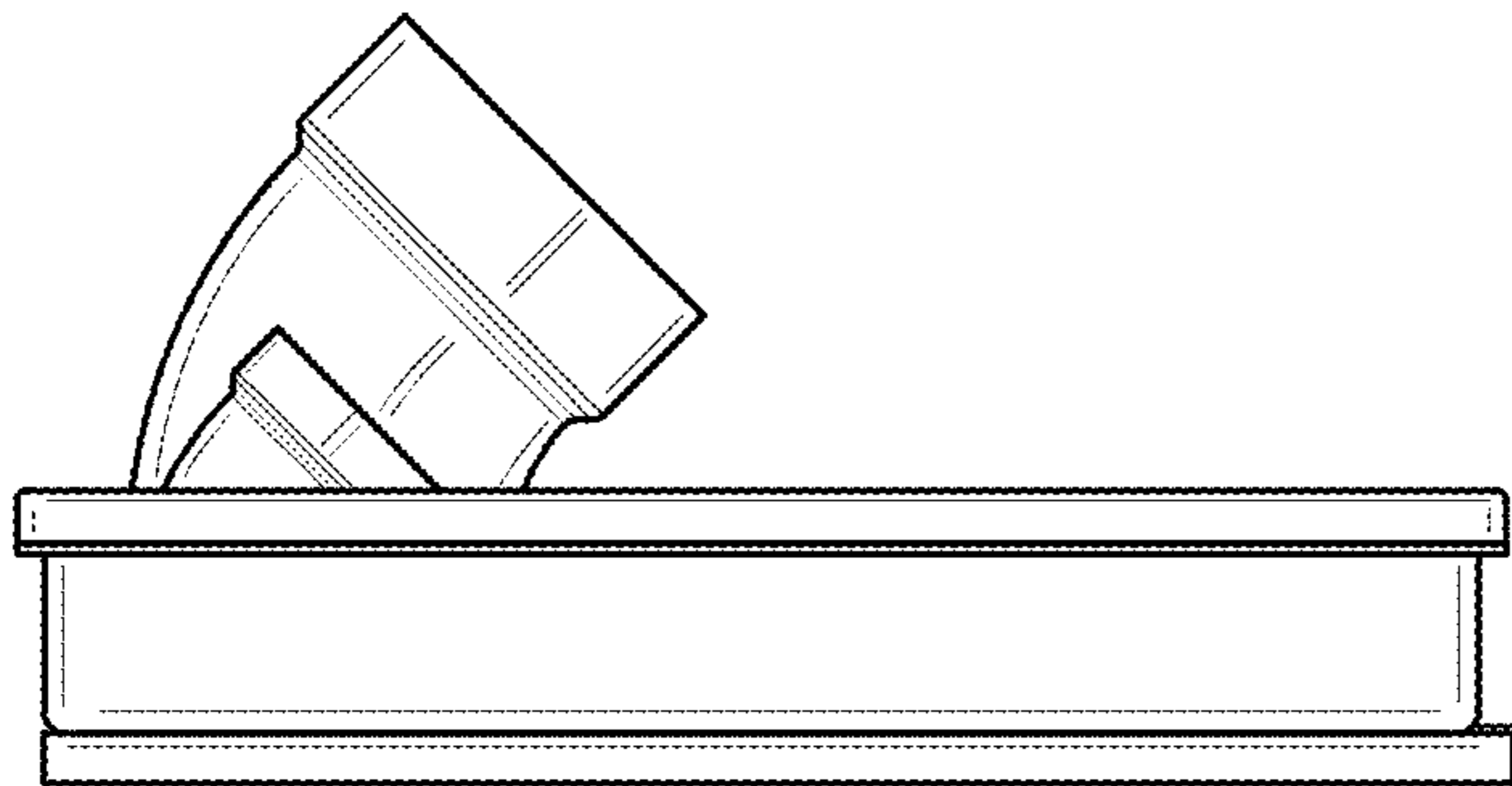


FIG. 4

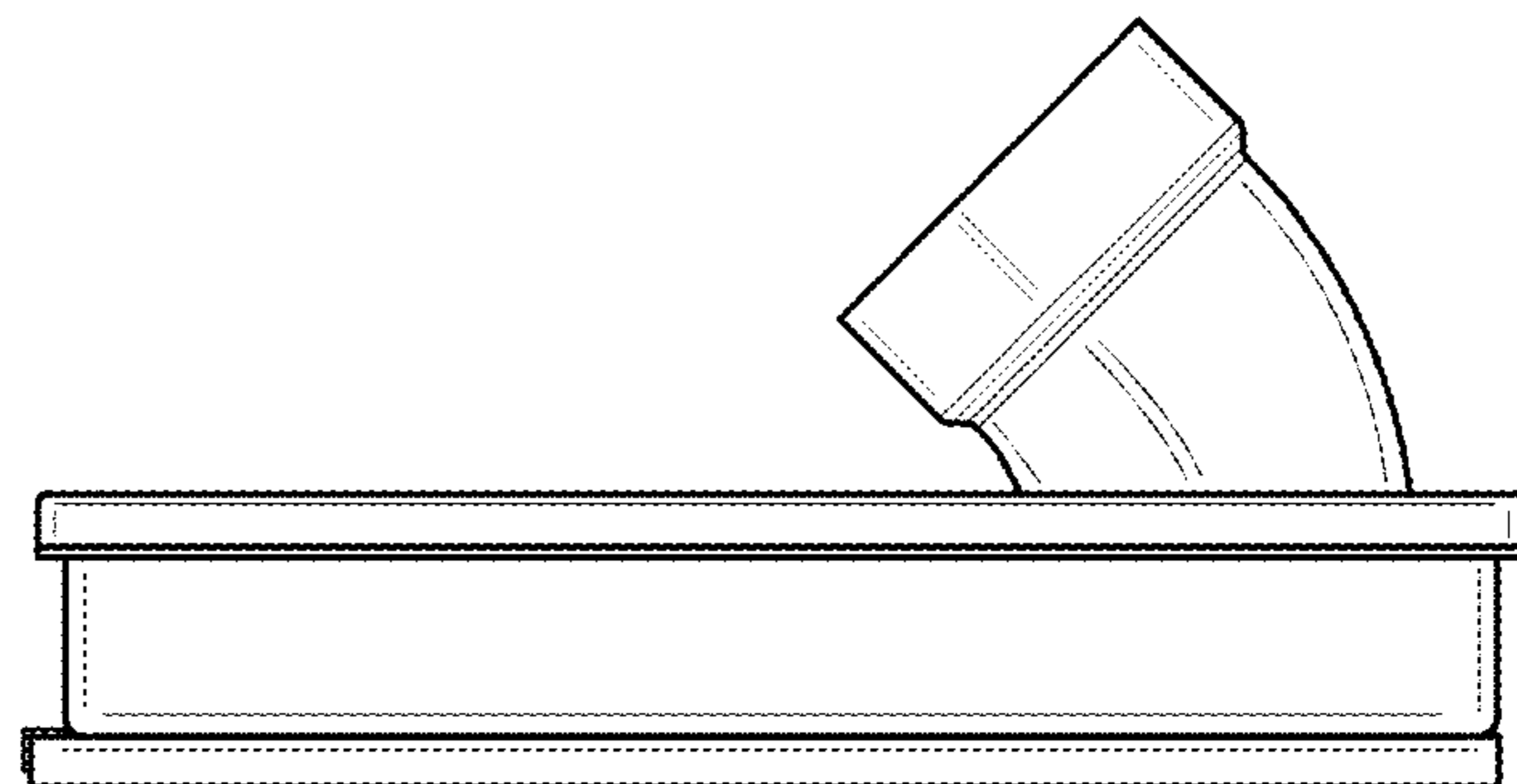


FIG. 5

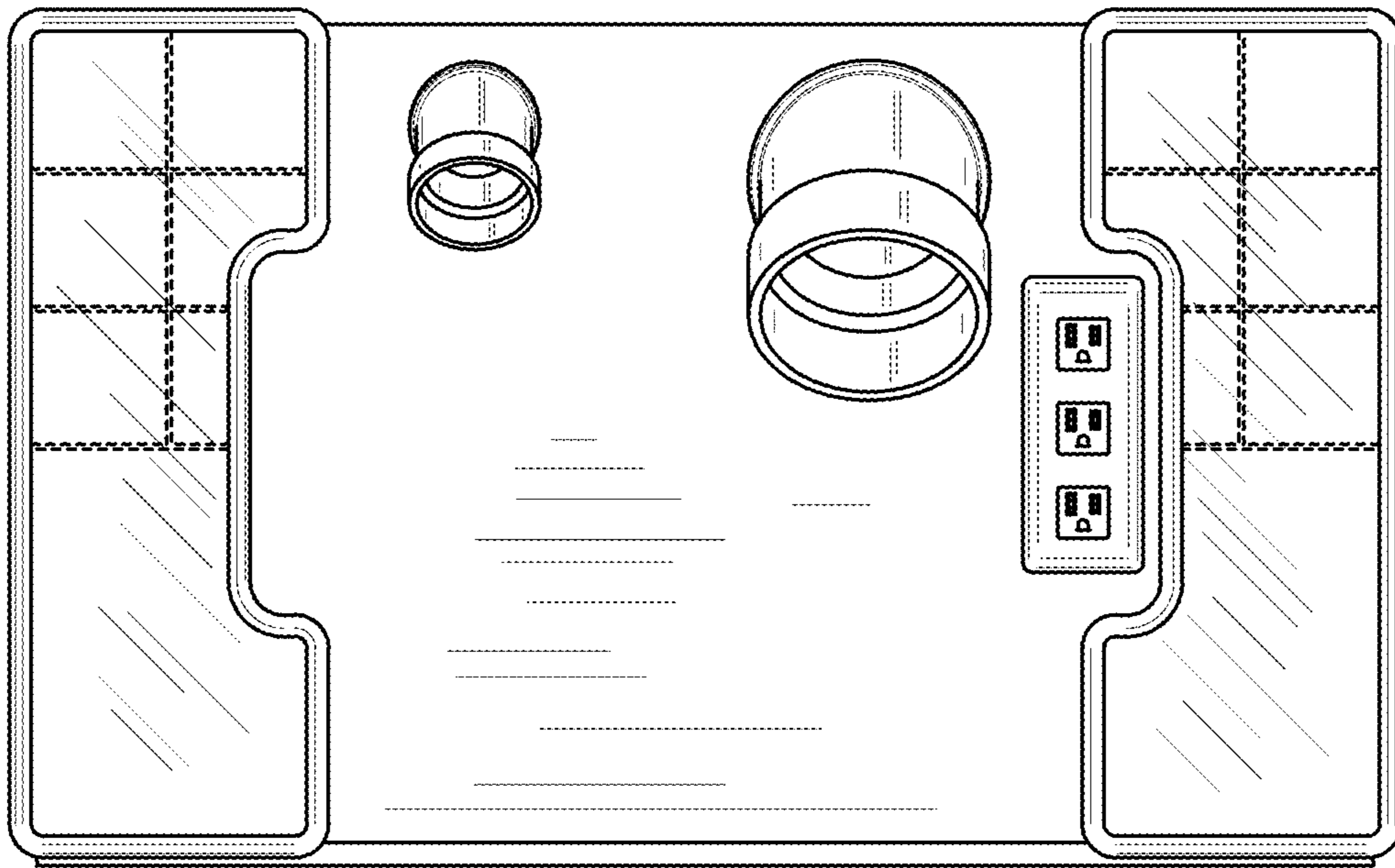


FIG. 6

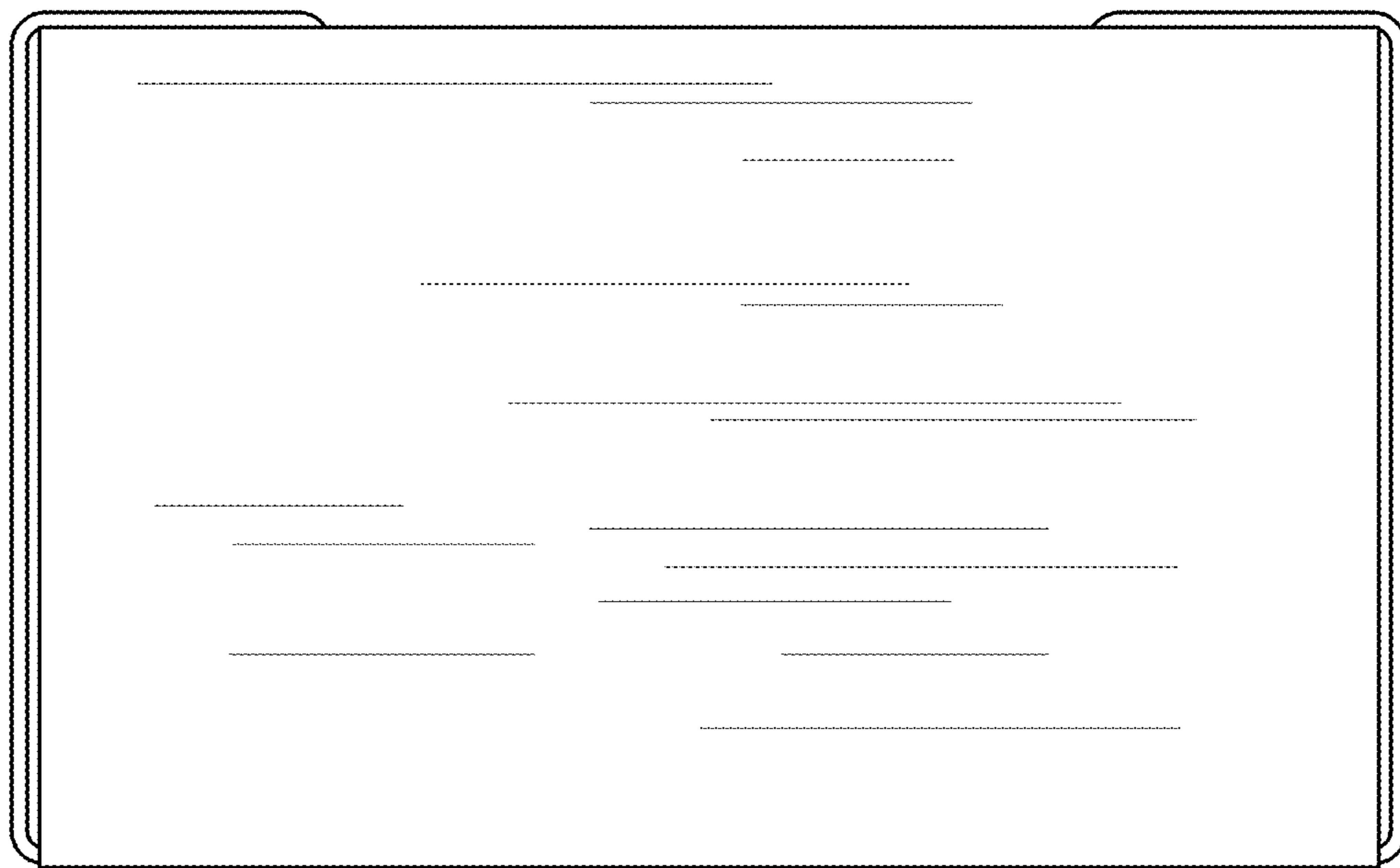


FIG. 7

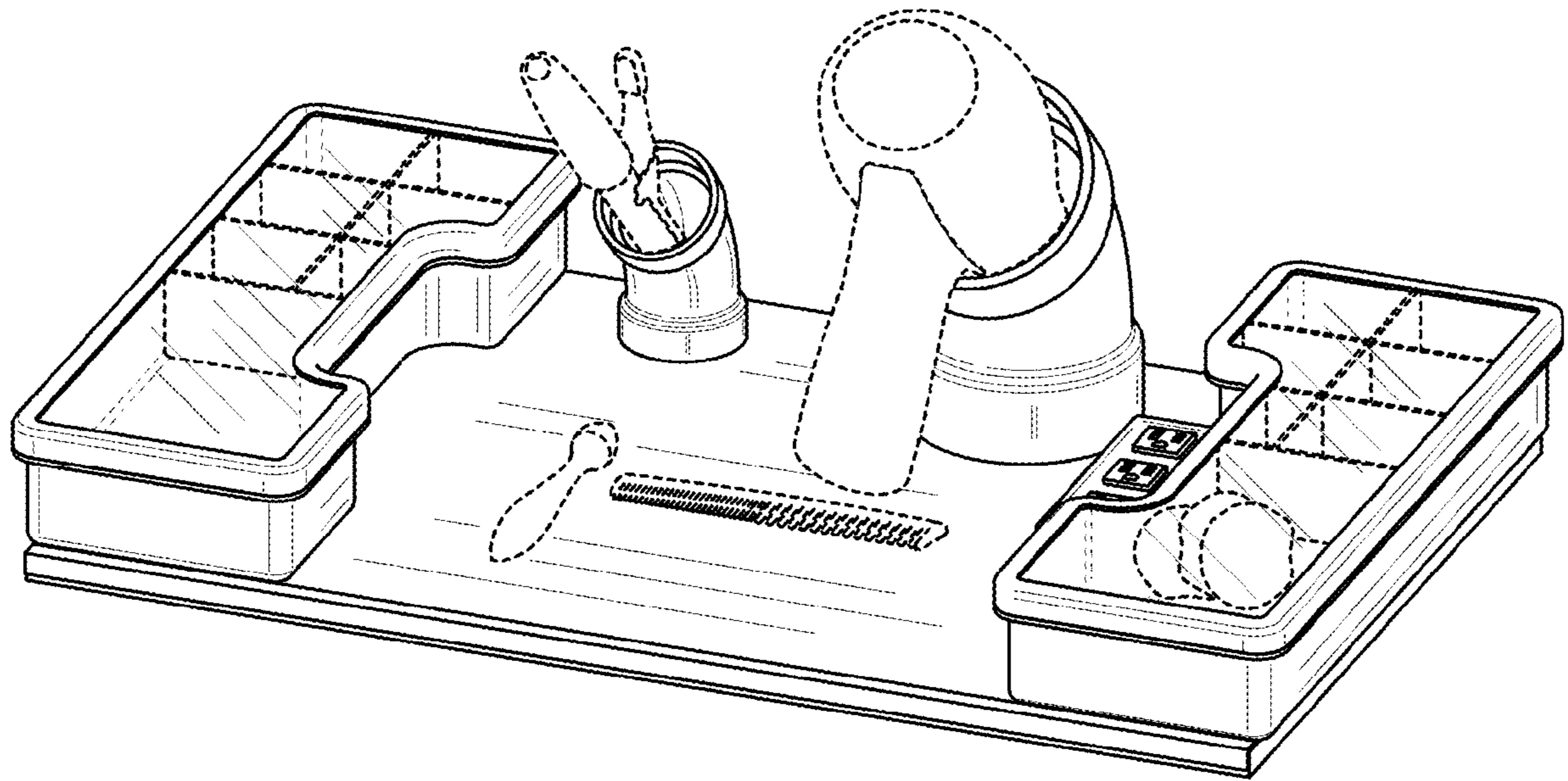


FIG. 8