



US00D927066S

(12) **United States Design Patent**  
**Yue**

(10) **Patent No.:** **US D927,066 S**

(45) **Date of Patent:** **\*\* Aug. 3, 2021**

- (54) **SONIC SCALP BRUSH**
- (71) Applicant: **Wenyong Yue**, Shenzhen (CN)
- (72) Inventor: **Wenyong Yue**, Shenzhen (CN)
- (\*\*) Term: **15 Years**
- (21) Appl. No.: **29/749,569**

6,076,222 A *	6/2000	Jolly	.....	A63B 57/60
				15/161
6,793,434 B1 *	9/2004	Olson	.....	A46B 5/04
				15/144.1
D620,714 S *	8/2010	Bona-Kustra	.....	D4/130
D778,066 S *	2/2017	Kern	.....	D4/127
D829,445 S *	10/2018	Kern	.....	D4/127
D882,273 S *	4/2020	Kling	.....	D4/127
D906,691 S *	1/2021	Shi	.....	D4/130
D915,078 S *	4/2021	Tang	.....	D4/136

- (22) Filed: **Sep. 7, 2020**
- (51) **LOC (13) Cl.** ..... **28-03**
- (52) **U.S. Cl.**  
USPC ..... **D28/63; D4/128**
- (58) **Field of Classification Search**  
USPC ..... D4/100, 102, 121, 127, 126, 128, 129,  
D4/130, 132, 133, 134, 135, 136, 138,  
D4/199; D24/211, 214, 215; D30/158,  
D30/159, 160; D32/35  
CPC ..... A46B 2200/1006; A46B 2200/102; A46B  
2200/10  
See application file for complete search history.

**FOREIGN PATENT DOCUMENTS**

CN 306239209 \* 12/2020

\* cited by examiner

*Primary Examiner* — Karen E Eldridge Powers

(57) **CLAIM**

The ornamental design for a sonic scalp brush, as shown and described.

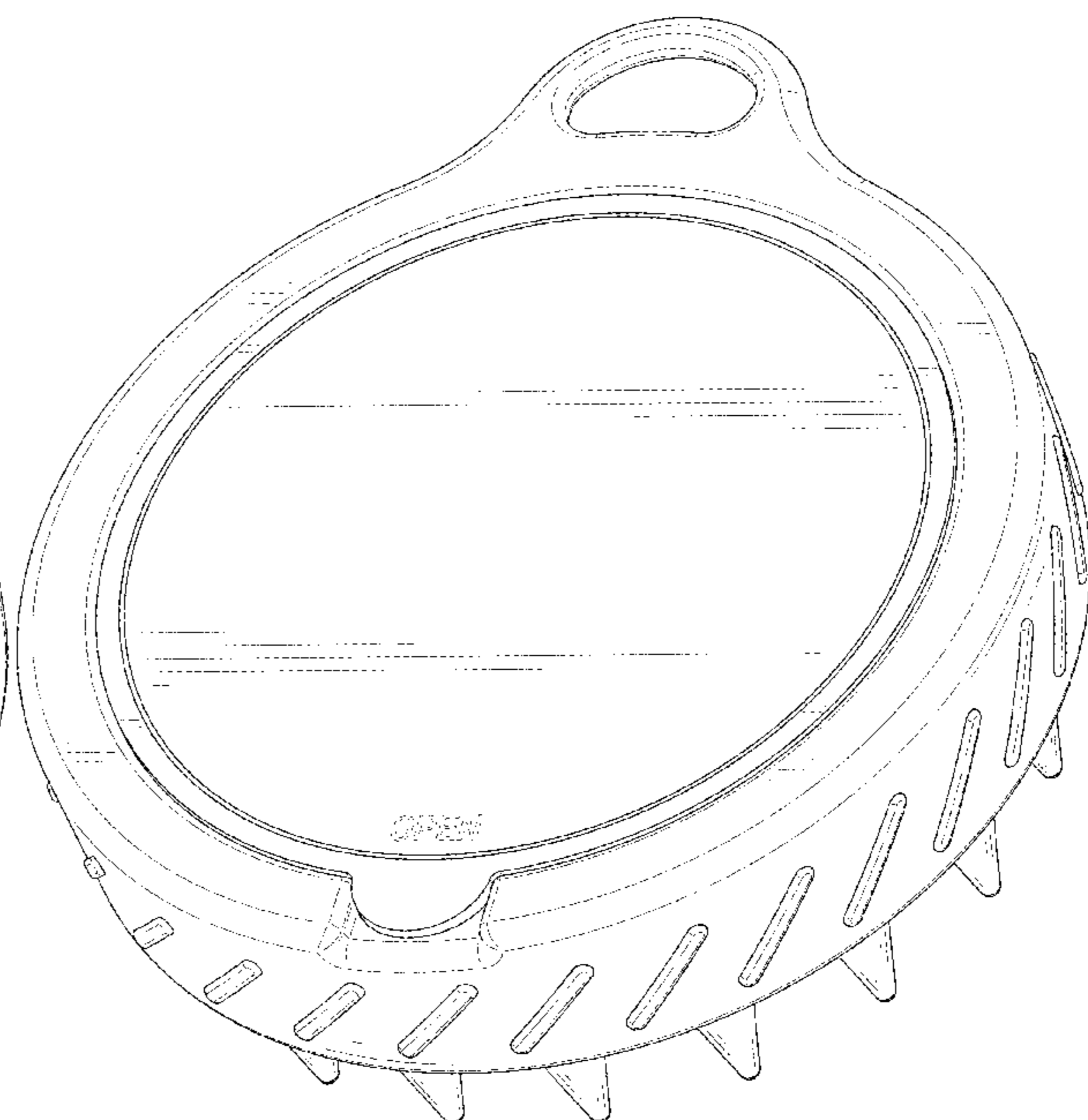
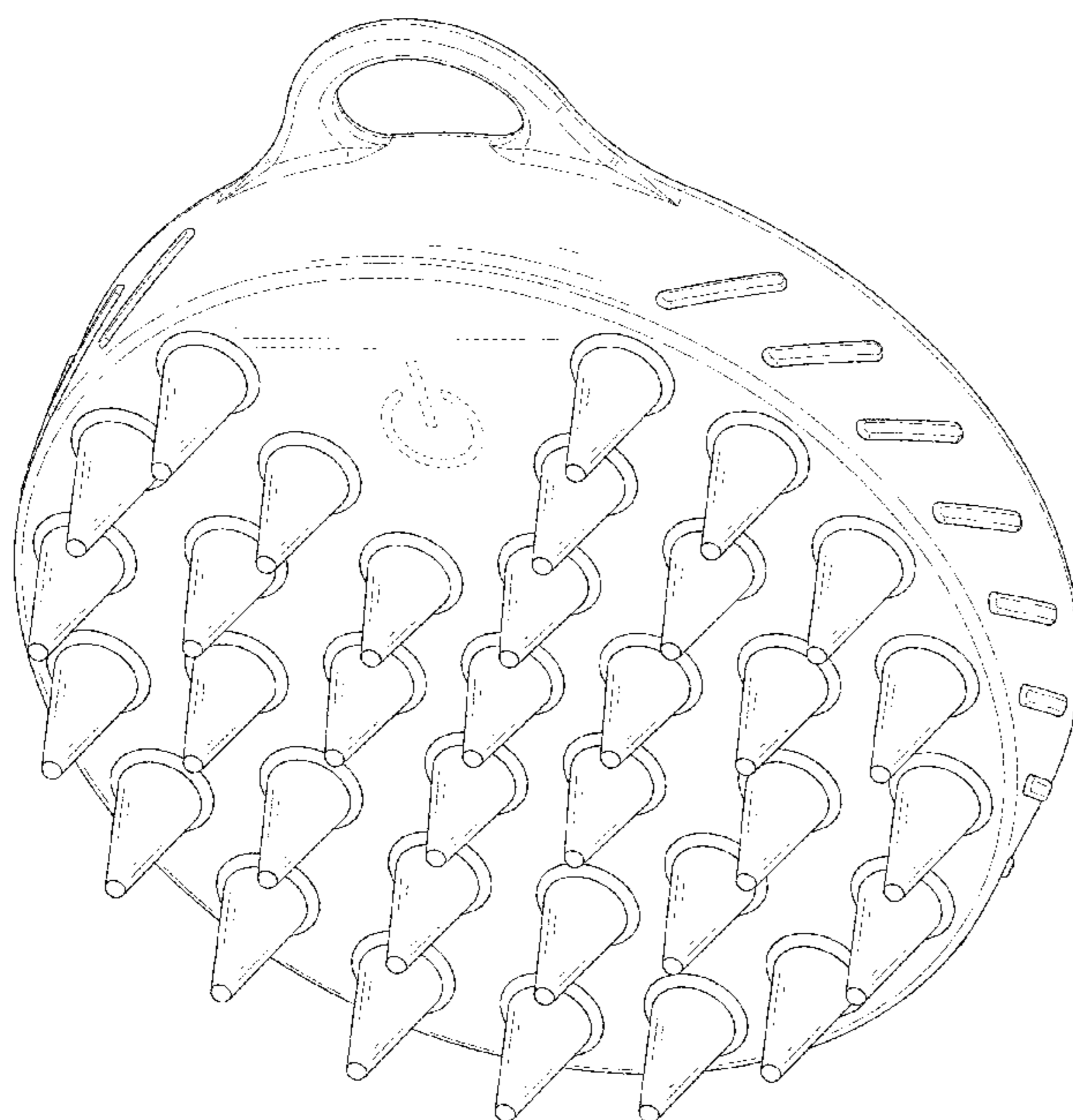
**DESCRIPTION**

FIG. 1 is a top, front and left side perspective view of a bath brush showing my new design;  
 FIG. 2 is a bottom, rear and right side perspective view thereof;  
 FIG. 3 is a front elevational view thereof;  
 FIG. 4 is a rear elevational view thereof;  
 FIG. 5 is a left side elevational view thereof;  
 FIG. 6 is a right side elevational view thereof;  
 FIG. 7 is a top plan view thereof; and,  
 FIG. 8 is a bottom plan view thereof.  
 The broken lines in the drawings depict portions of the sonic scalp brush that form no part of the claimed design.

(56) **References Cited**  
**U.S. PATENT DOCUMENTS**

1,987,390 A *	1/1935	Davis	.....	A61H 7/003
				601/137
D164,207 S *	8/1951	Teague et al.	.....	D4/100
D315,038 S *	2/1991	Strickler	.....	D24/211
D321,434 S *	11/1991	Strickler	.....	D4/136
D326,362 S *	5/1992	Bertwell	.....	D30/158
D326,562 S *	6/1992	Bertwell	.....	D30/158
D331,517 S *	12/1992	Warner	.....	D30/160
D333,730 S *	3/1993	Martin	.....	D30/158
D356,685 S *	3/1995	Bertwell	.....	D4/125

**1 Claim, 8 Drawing Sheets**



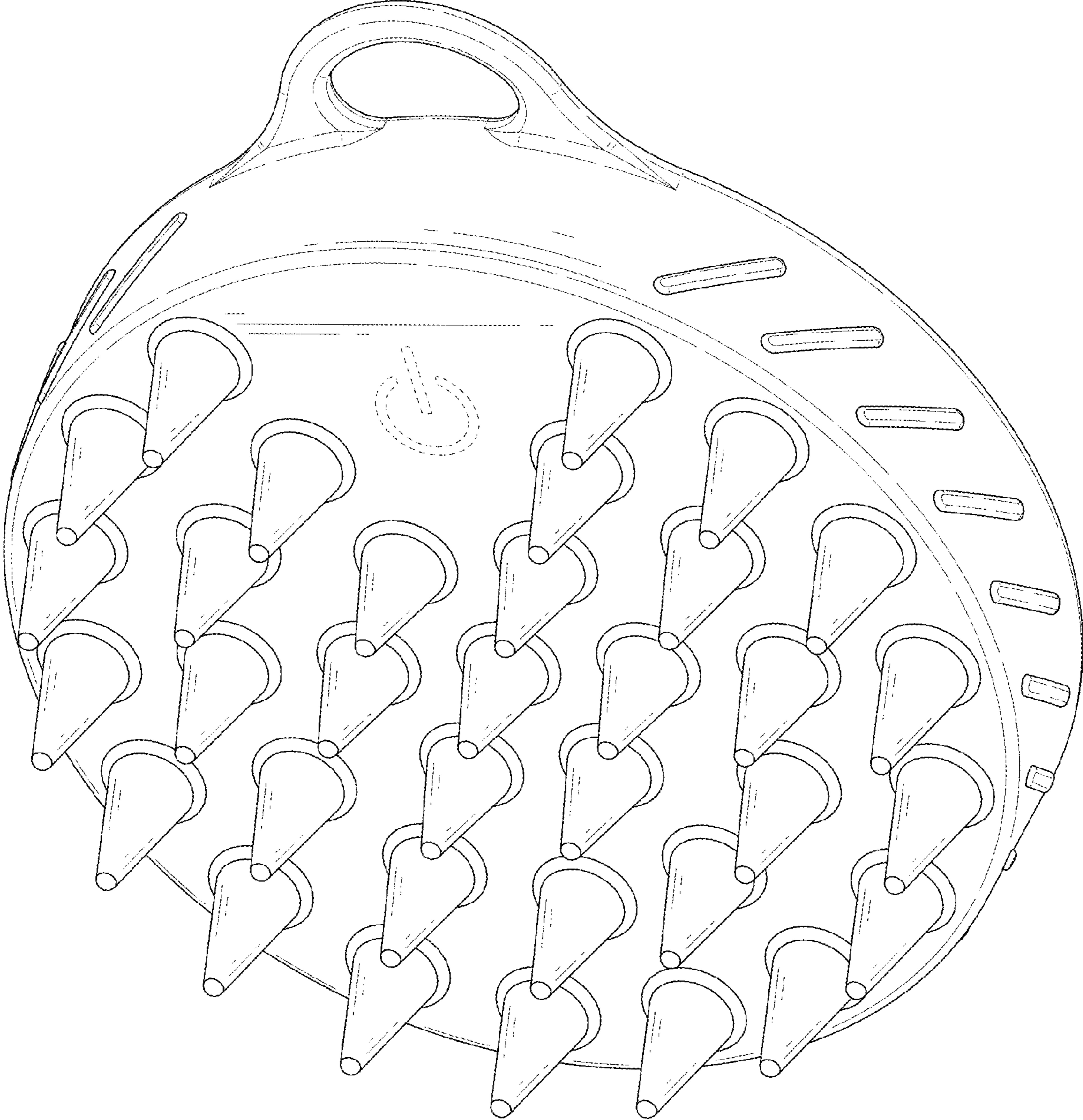


FIG. 1

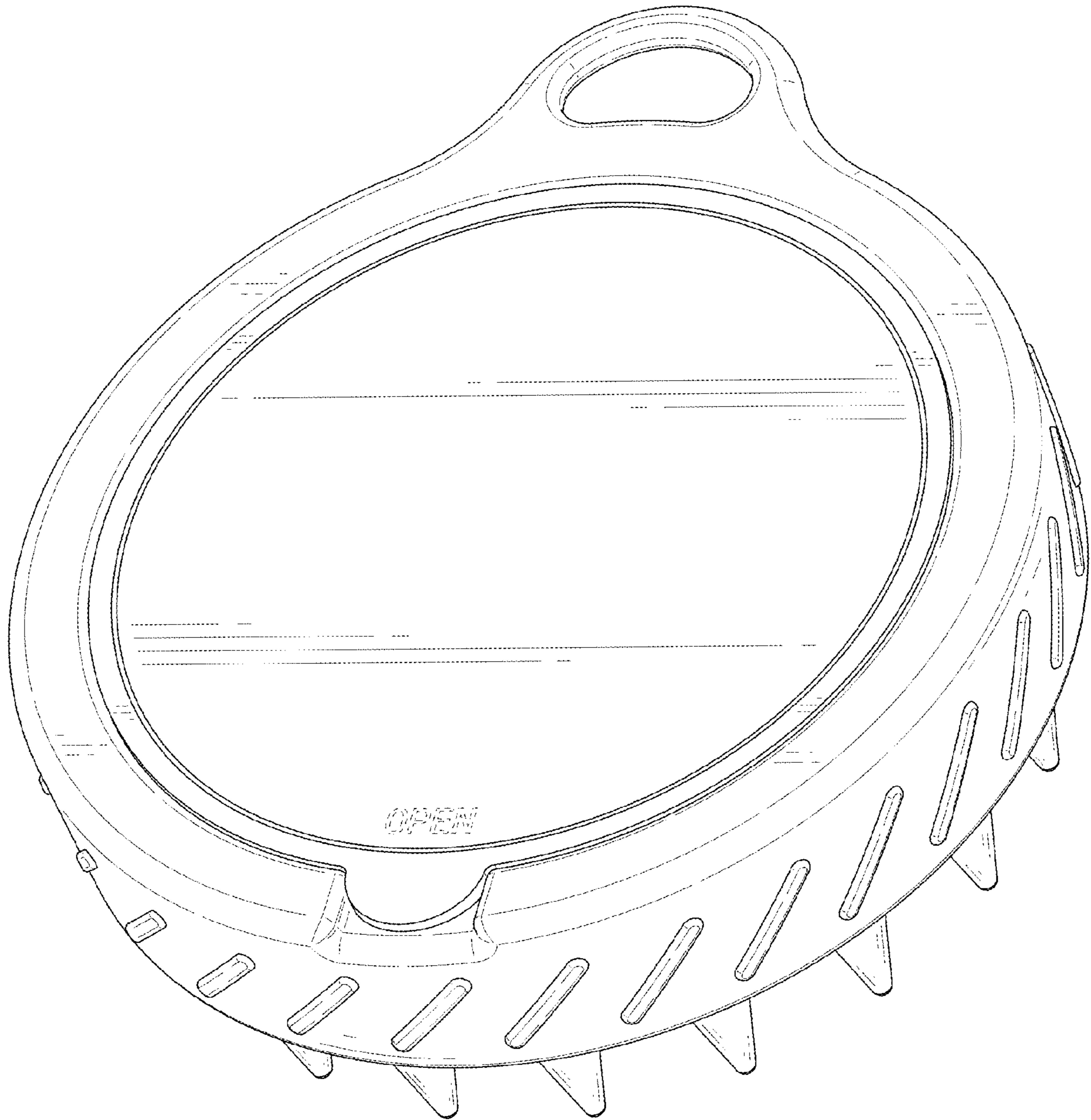


FIG. 2



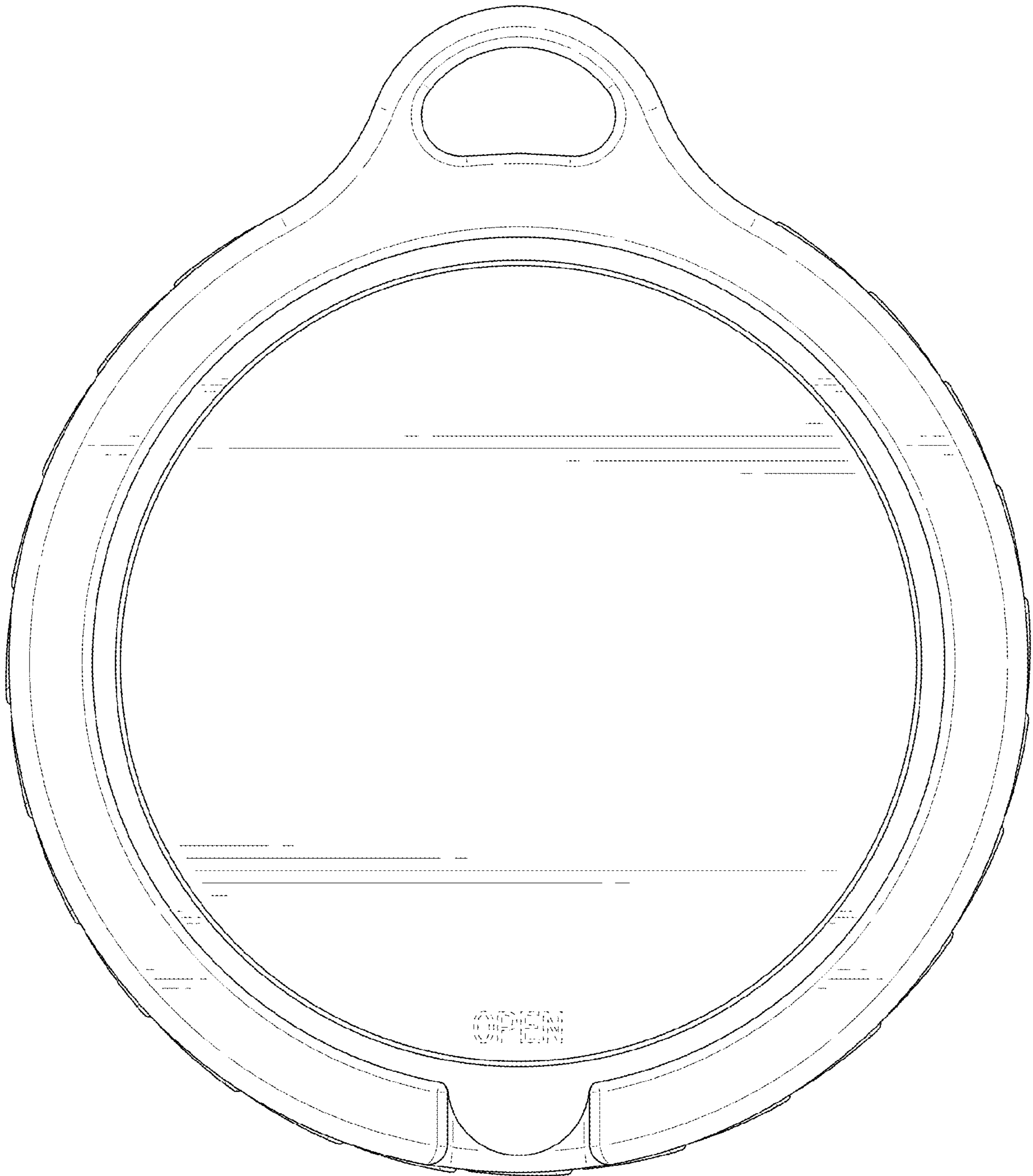


FIG. 3

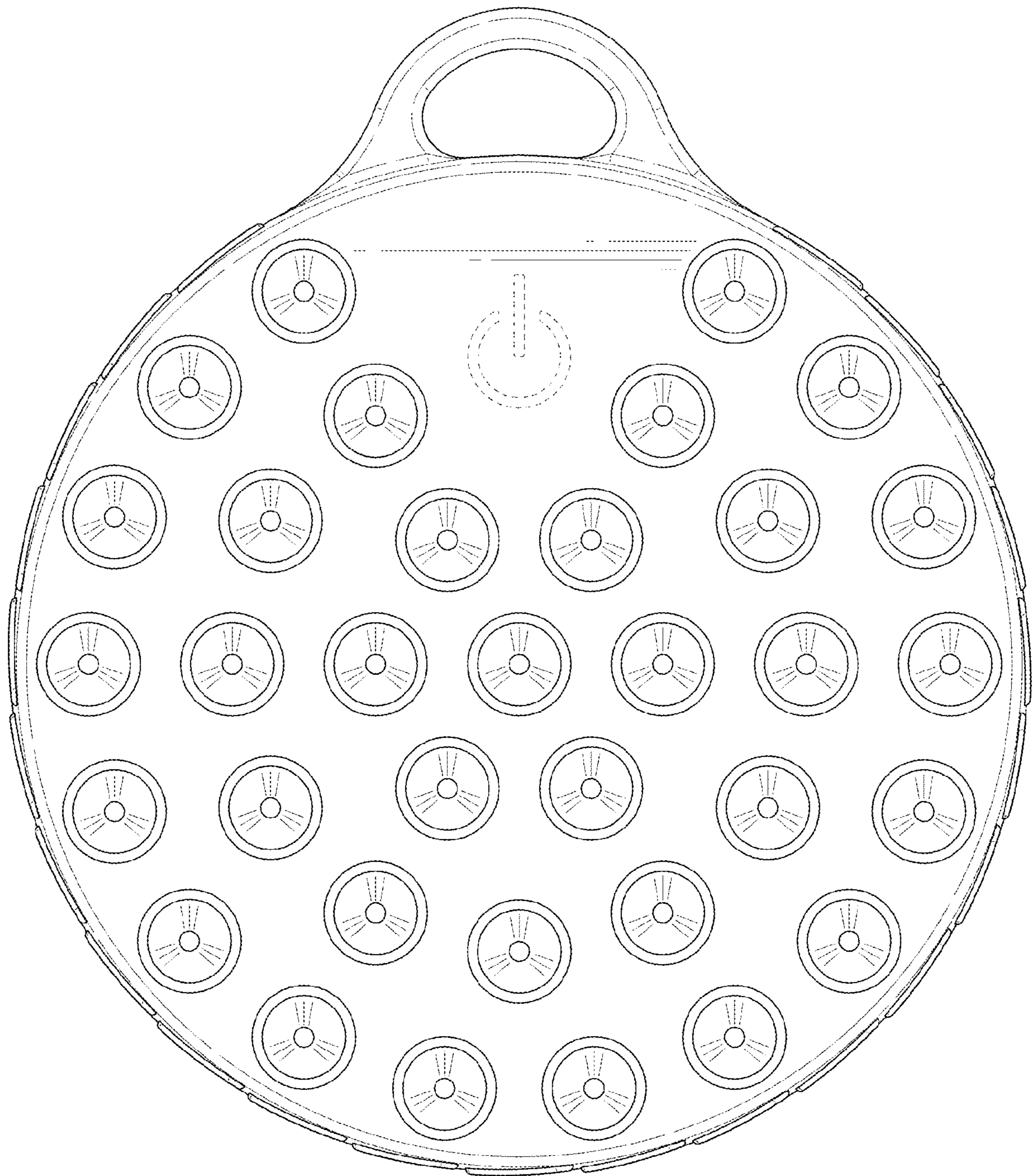


FIG. 4

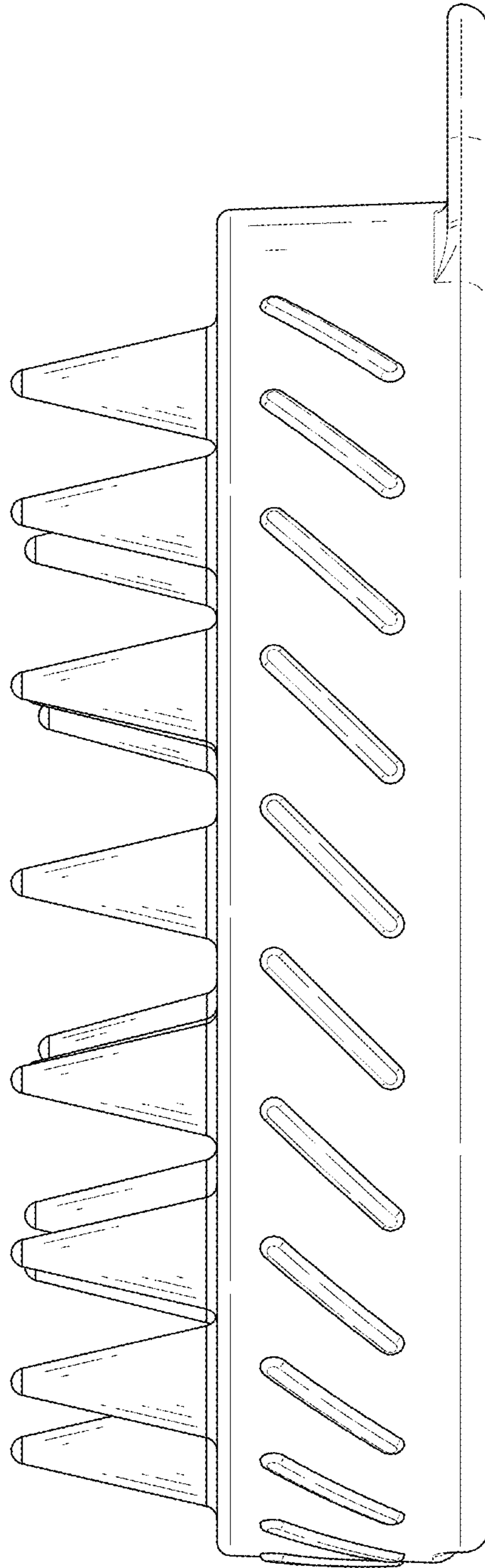


FIG. 5

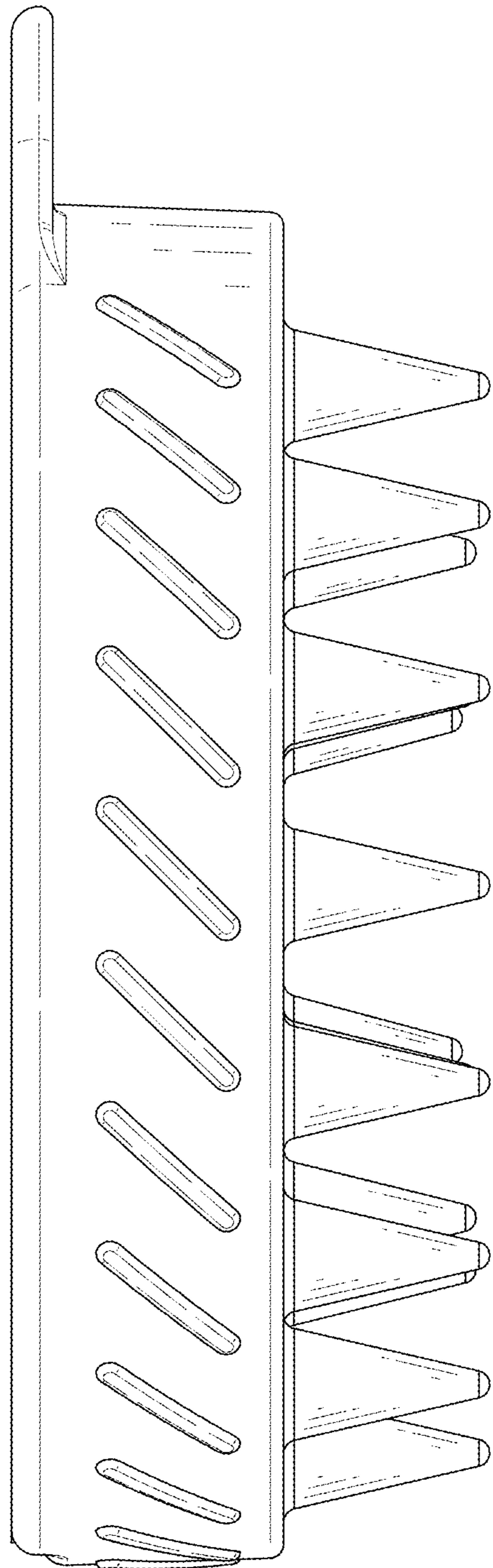


FIG. 6



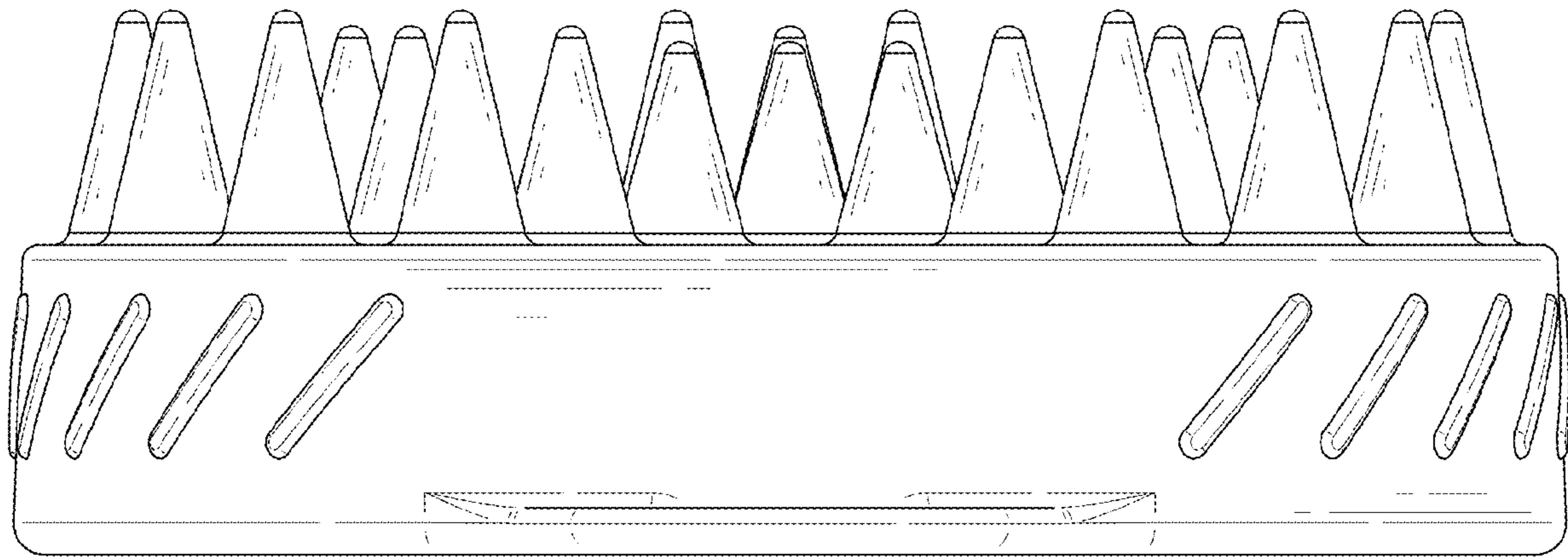


FIG. 7



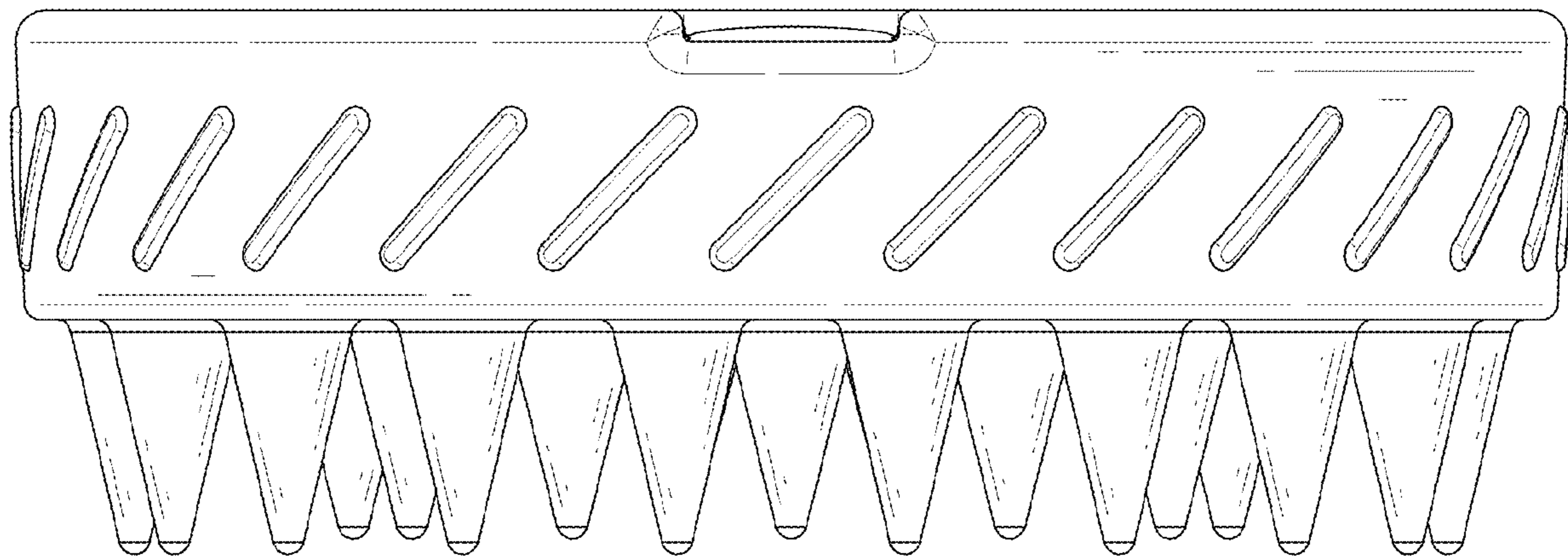


FIG. 8