



US00D927062S

(12) **United States Design Patent** (10) **Patent No.:** **US D927,062 S**
Partouche (45) **Date of Patent:** **** Aug. 3, 2021**

(54) **CIGARETTE PAPER CASE**
(71) Applicant: **REPUBLIC TECHNOLOGIES (NA) LLC**, Glenview, IL (US)
(72) Inventor: **Olivier Partouche**, Barcelona (ES)
(73) Assignee: **REPUBLIC TECHNOLOGIES (NA) LLC**, Glenview, IL (US)

(**) Term: **15 Years**
(21) Appl. No.: **35/508,607**

(22) Filed: **Aug. 26, 2019**

(80) **Hague Agreement Data**
Int. Filing Date: **Aug. 26, 2019**
Int. Reg. No.: **DM/205777**
Int. Reg. Date: **Aug. 26, 2019**
Int. Reg. Pub. Date: **Feb. 14, 2020**

(30) **Foreign Application Priority Data**
Feb. 28, 2019 (EM) 006271474
(51) **LOC (13) Cl.** **27-06**
(52) **U.S. Cl.**
USPC **D27/186**
CPC **A24F 1/30** (2013.01)
(58) **Field of Classification Search**
USPC D27/100, 101, 160-170, 172-195, 139,
D27/141, 142, 143, 144, 152, 154, 158;
D9/432
CPC .. A24F 1/30; A24F 13/26; A24F 23/00; A24F
17/00; A24F 15/00
See application file for complete search history.

(56) **References Cited**
U.S. PATENT DOCUMENTS
D94,977 S * 3/1935 Lederer D27/175
D142,450 S * 9/1945 Toklas D27/189
D144,278 S * 3/1946 Wohl D27/189

D333,532 S * 2/1993 Campbell D27/189
D379,553 S * 5/1997 DiGianni D27/189
D385,653 S * 10/1997 Wicker D27/187
D396,732 S * 8/1998 Bucher D27/186
D398,715 S * 9/1998 Descalzo D27/186
D398,716 S * 9/1998 Schoen D27/186
D409,329 S * 5/1999 Bucher D27/186
D414,891 S * 10/1999 Schmaling D27/186
D416,105 S * 11/1999 Garrison D27/189
6,027,187 A * 2/2000 Siepmann A24F 25/02
206/213.1
D580,263 S * 11/2008 Yi Man D9/432
D600,855 S * 9/2009 Krohn D27/189
D612,094 S * 3/2010 Bellamah D27/189
D612,095 S * 3/2010 Brown D27/189
D626,688 S * 11/2010 Gibson D27/183
D686,491 S * 7/2013 Kuo D9/432
D692,177 S * 10/2013 Angiolillo D27/189

(Continued)

Primary Examiner — Richard E Chilcot
(74) *Attorney, Agent, or Firm* — Millen, White, Zelano & Branigan, P.C.; Ryan R. Pool

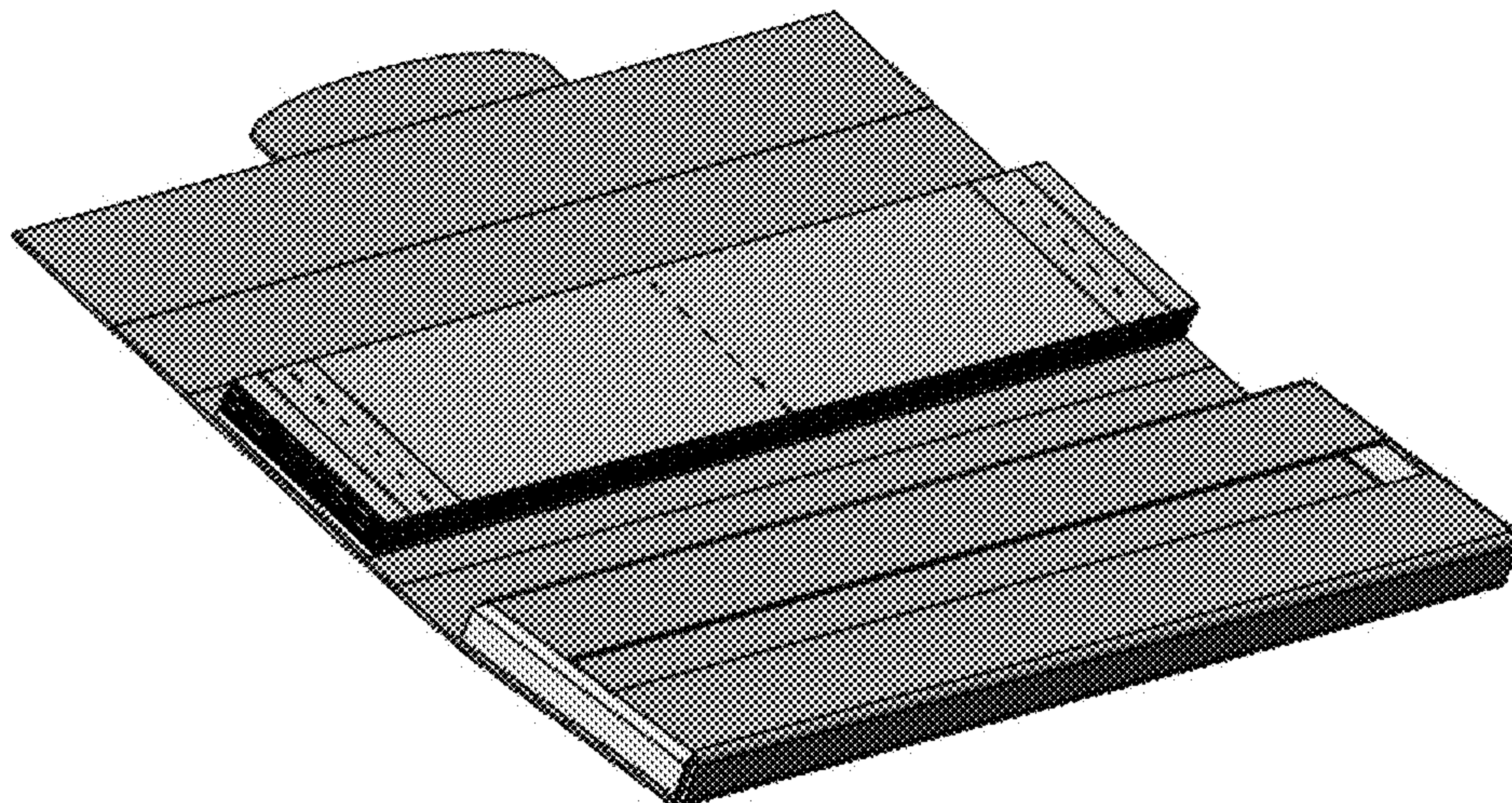
(57) **CLAIM**

The ornamental design for a cigarette paper case, as shown and described.

DESCRIPTION

FIG. 1.1 is a bottom perspective side view of a cigarette paper case in a closed configuration showing my new design.
FIG. 1.2 is a top perspective front view thereof in a open configuration.
FIG. 1.3 is a bottom perspective front view thereof in an open configuration.
FIG. 1.4 is a front view thereof in an open configuration.
FIG. 1.5 is another top perspective front view thereof in an open configuration.
FIG. 1.6 is a top perspective back view thereof in a closed configuration.
FIG. 1.7 is another top perspective front view thereof in an open configuration.
The broken lines in the figures depict stitching and are part of the claimed design.

1 Claim, 7 Drawing Sheets



(56)

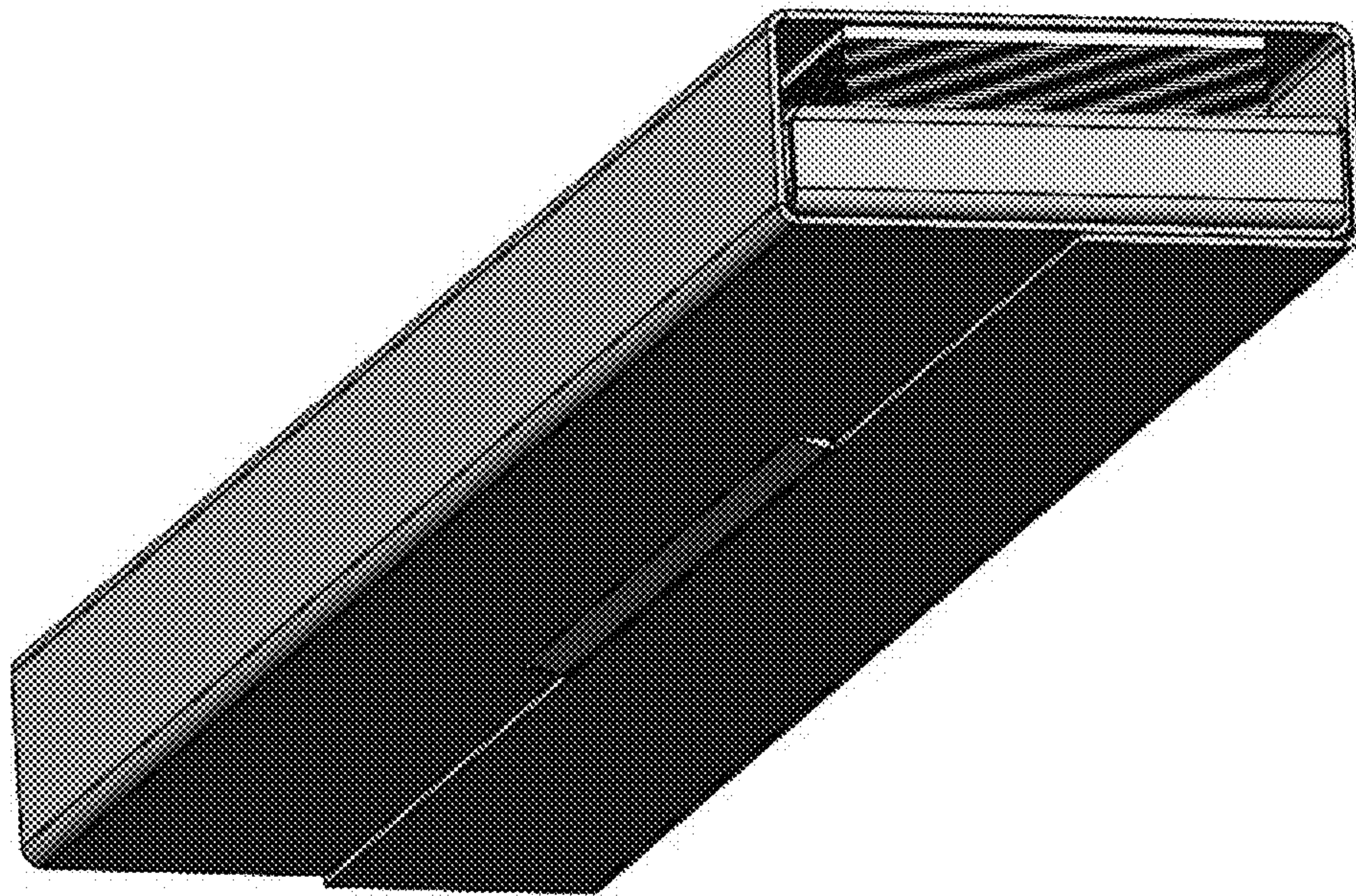
References Cited

U.S. PATENT DOCUMENTS

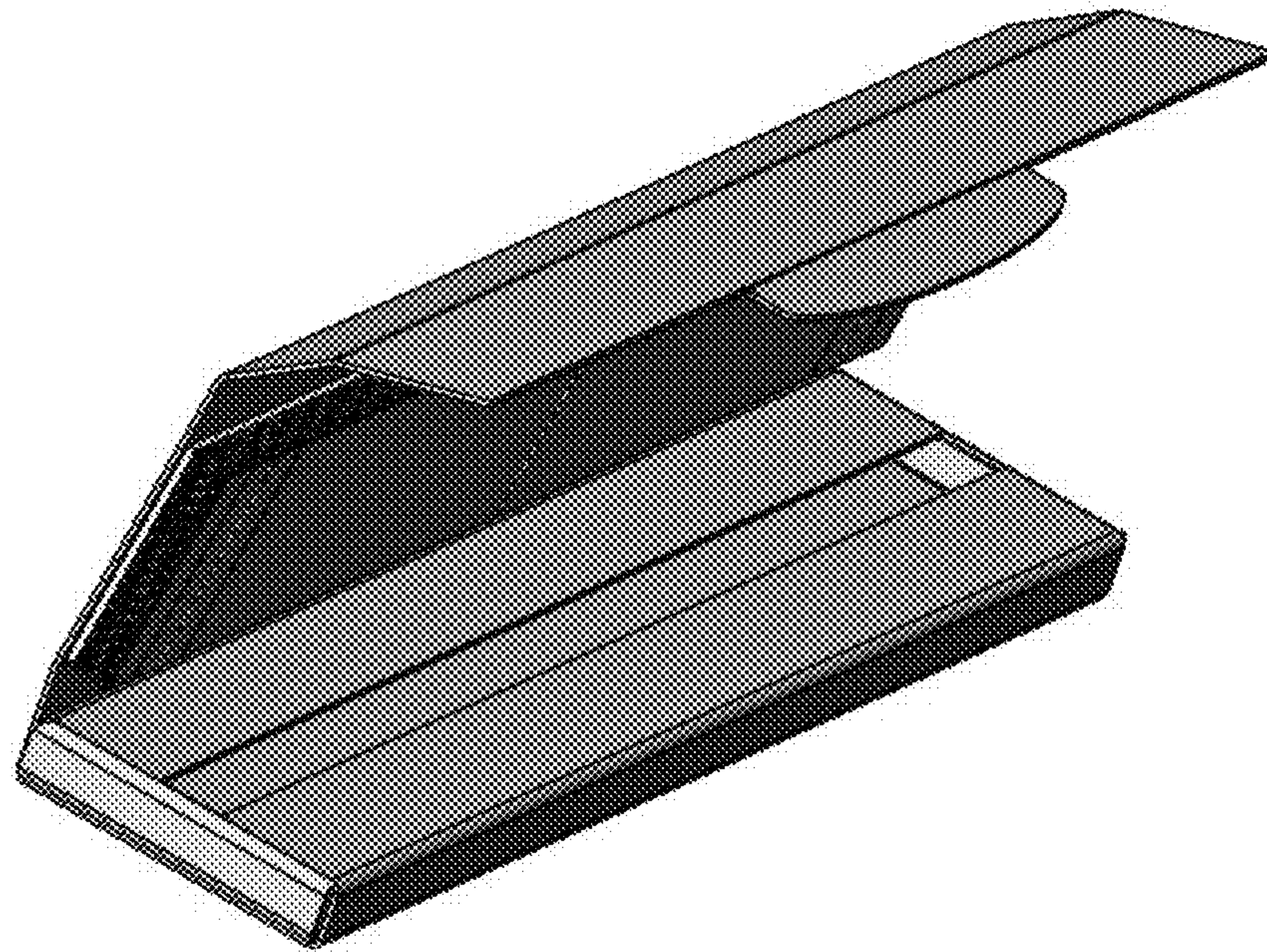
D701,117	S	*	3/2014	Tognetti	D9/432
D722,870	S	*	2/2015	Fohner	D9/432
D731,325	S	*	6/2015	Loessin	D9/737
D734,535	S	*	7/2015	Dyer	D27/189
D744,829	S	*	12/2015	Deering	D9/432
D754,920	S	*	4/2016	Domon	D27/189
D791,589	S	*	7/2017	Remash	D9/432
D806,312	S	*	12/2017	Leon	D27/183
D850,908	S	*	6/2019	Perella	D9/432
D858,274	S	*	9/2019	Perella	D9/432
D874,266	S	*	2/2020	Perella	D9/432
D874,267	S	*	2/2020	Perella	D9/432
D878,912	S	*	3/2020	Perella	D9/432
D883,670	S	*	5/2020	Perella	D3/299
D887,265	S	*	6/2020	Perella	D9/432
D891,247	S	*	7/2020	Kim	D9/432
D894,728	S	*	9/2020	Dwork	D9/420
D895,418	S	*	9/2020	Kim	D9/419
D903,488	S	*	12/2020	Perella	D9/432
D905,601	S	*	12/2020	Cheung	D12/172
2006/0243785	A1	*	11/2006	Wang	B65D 5/321 229/122
2009/0014019	A1	*	1/2009	Park	A24F 25/00 131/328
2010/0206757	A1	*	8/2010	Kesselman	B65D 5/4266 206/494
2011/0030710	A1	*	2/2011	Kesselman	C09J 105/00 131/365
2012/0103842	A1	*	5/2012	Koester	B65D 83/0805 206/273
2015/0230520	A1	*	8/2015	Barrett	A24C 5/44 206/229

* cited by examiner

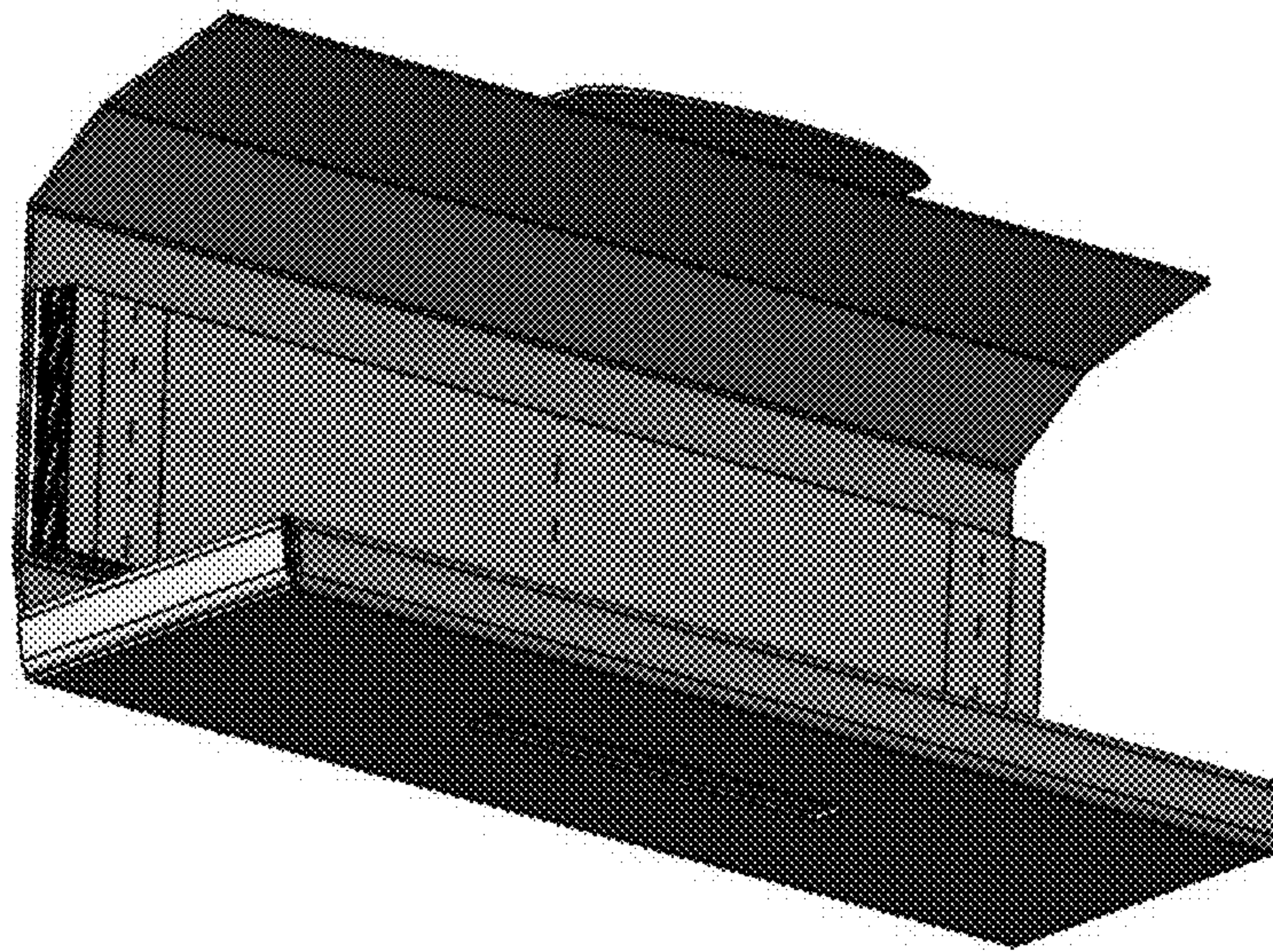
1.1



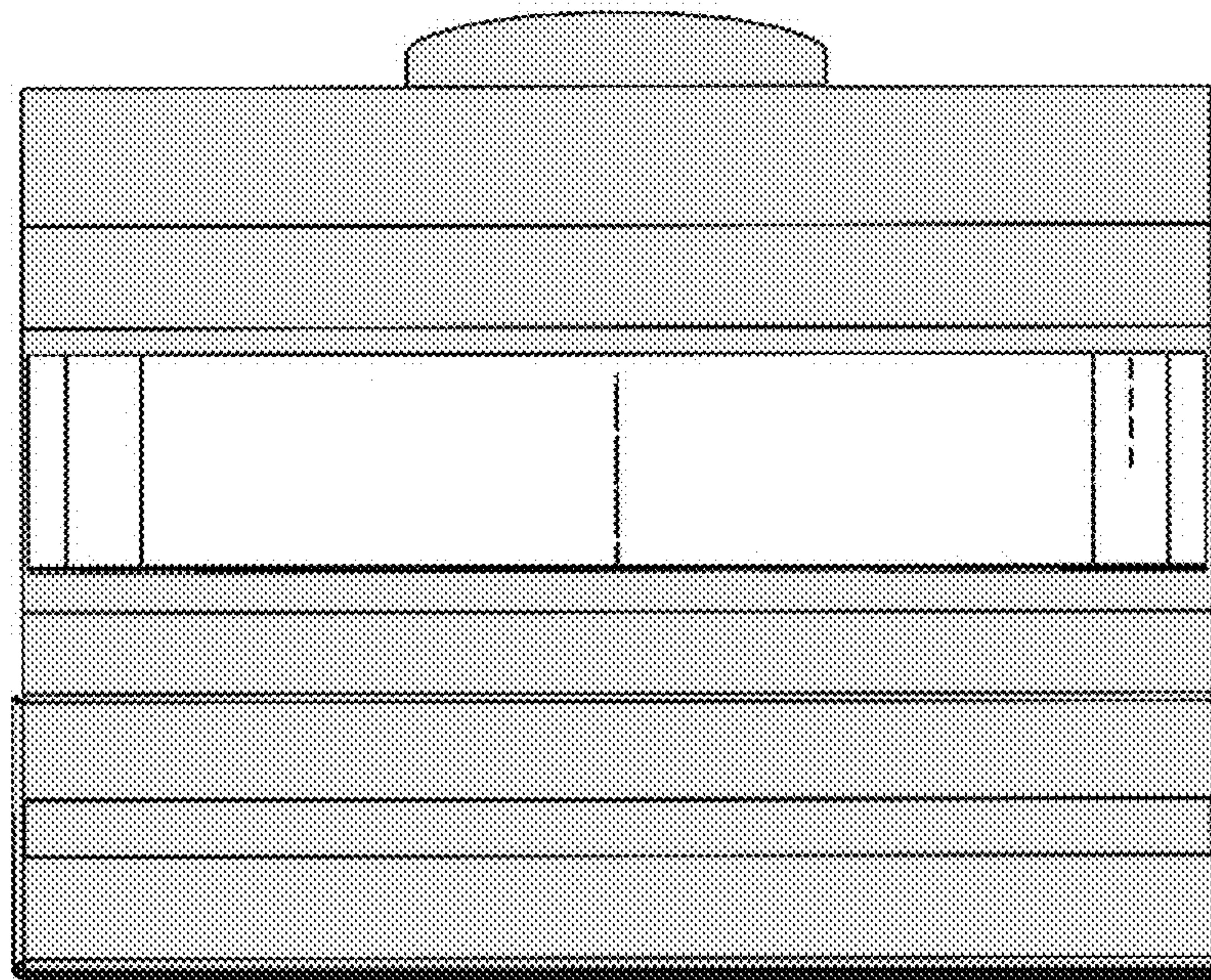
1.2



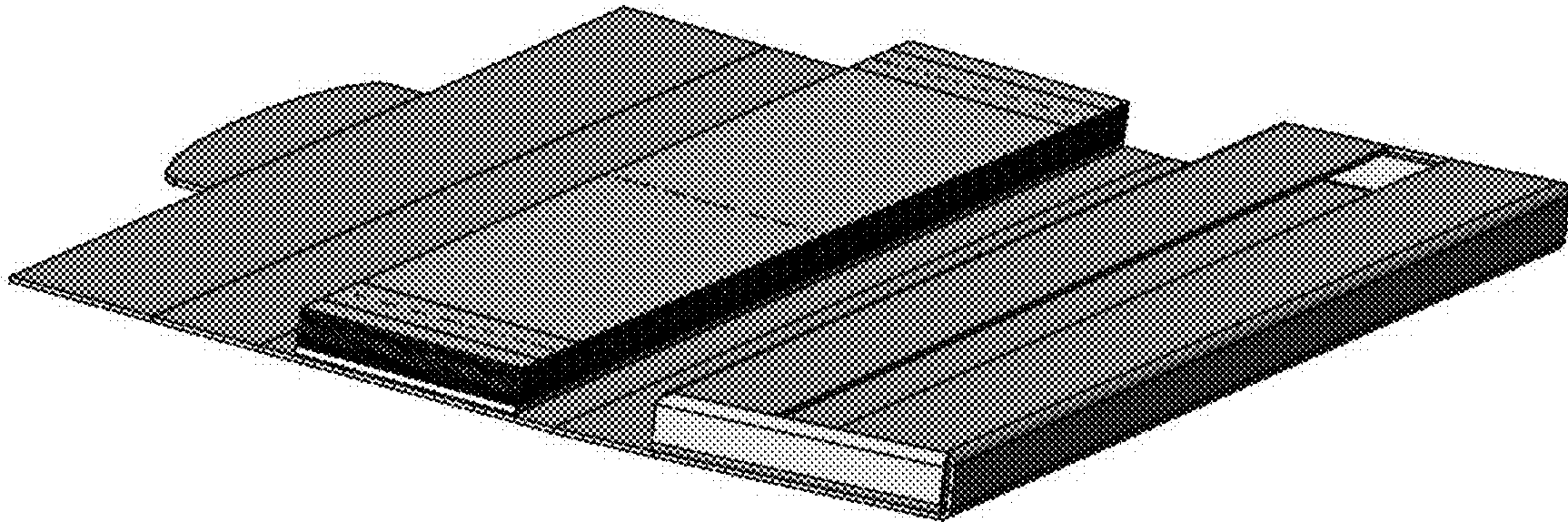
1.3



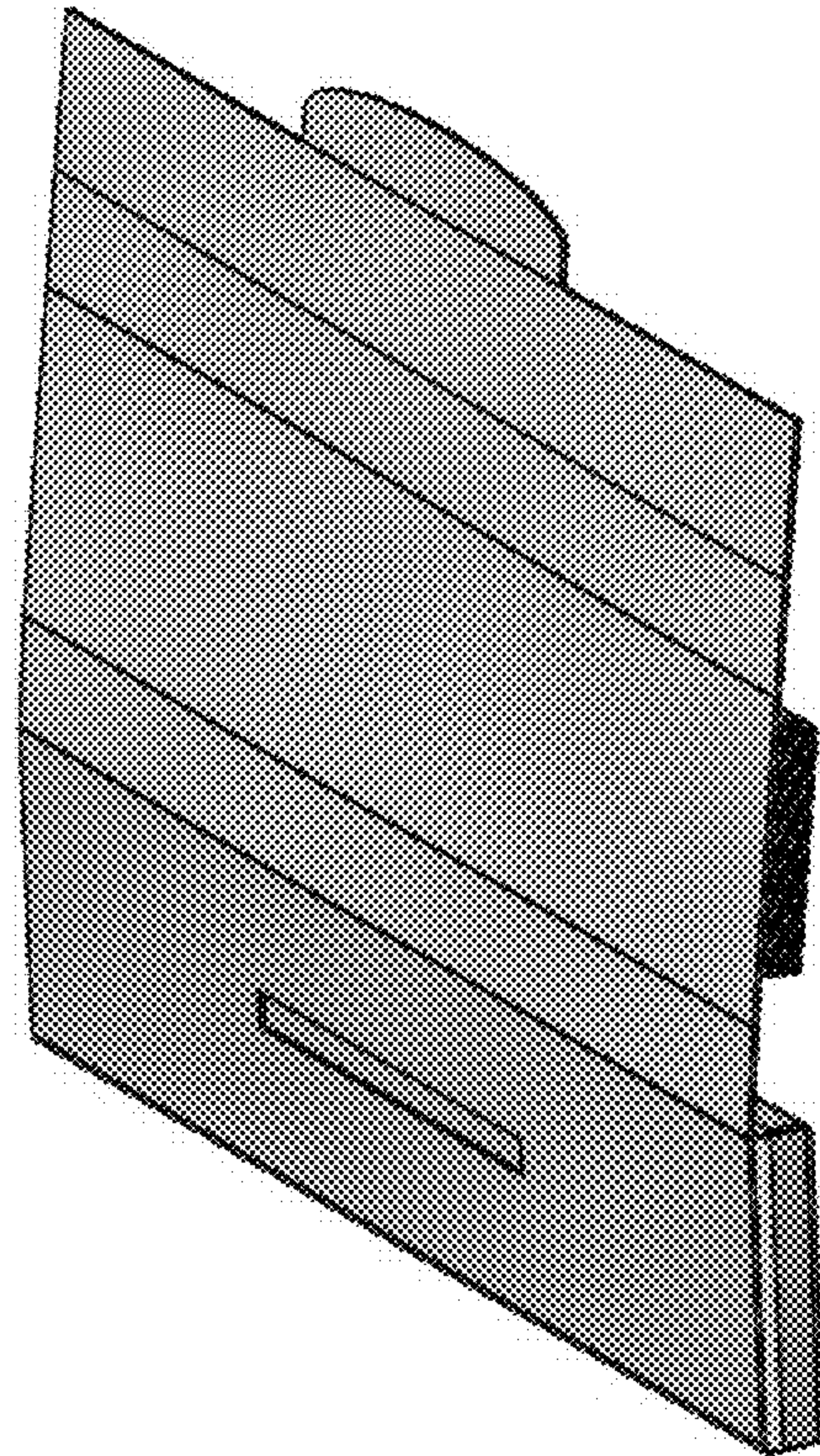
1.4



1.5



1.6



1.7

