



US00D927061S

(12) **United States Design Patent** (10) **Patent No.:** **US D927,061 S**
Leon Duque et al. (45) **Date of Patent:** **** Aug. 3, 2021**

(54) **VAPORIZER CARTRIDGE**
(71) Applicant: **PAX Labs, Inc.**, San Francisco, CA (US)
(72) Inventors: **Esteban Leon Duque**, Berkeley, CA (US); **Brandon Cheung**, San Francisco, CA (US); **Steven Christensen**, Burlingame, CA (US); **James Monsees**, San Francisco, CA (US)

595,070 A ‡ 12/1897 Oldenbusch B65D 43/168
220/82
720,007 A ‡ 2/1903 Dexter A24D 1/14
131/34
799,844 A ‡ 9/1905 Fuller A24F 27/10
206/13
968,160 A ‡ 8/1910 Johnson A24F 1/22
131/19
969,076 A ‡ 8/1910 Pender A24F 27/00
206/12

(Continued)

(73) Assignee: **PAX Labs, Inc.**, San Francisco, CA (US)

(**) Term: **15 Years**

(21) Appl. No.: **29/737,954**

(22) Filed: **Jun. 12, 2020**

Related U.S. Application Data

(62) Division of application No. 29/617,612, filed on Sep. 14, 2017, now Pat. No. Des. 887,632.

(51) **LOC (13) Cl.** **27-02**

(52) **U.S. Cl.**
USPC **D27/167**

(58) **Field of Classification Search**
USPC D27/162, 100, 101, 163–165, 167–169,
D27/172, 174, 183, 185–194;
D13/102–105, 108, 110, 118, 119;
D23/202, 365, 366; D24/110, 100.5
CPC A24F 47/002; A24F 47/006; A24F 47/008;
A61M 15/00; A61M 15/06
See application file for complete search history.

(56) **References Cited**

U.S. PATENT DOCUMENTS

374,584 A ‡ 12/1887 Cook E05F 1/1066
16/72
576,653 A ‡ 2/1897 Bowlby A24F 15/18
206/92

OTHER PUBLICATIONS

Vaporizer Pod, By: Jull found on line Mar. 21, 2021 <https://perfectvape.com/juul-pods/> (Jul. 19, 2018).*

(Continued)

Primary Examiner — Marissa J Cash
Assistant Examiner — Rebecca Tsehaye
(74) *Attorney, Agent, or Firm* — Mintz Levin Cohn Ferris
Glovsky and Popeo, P.C.

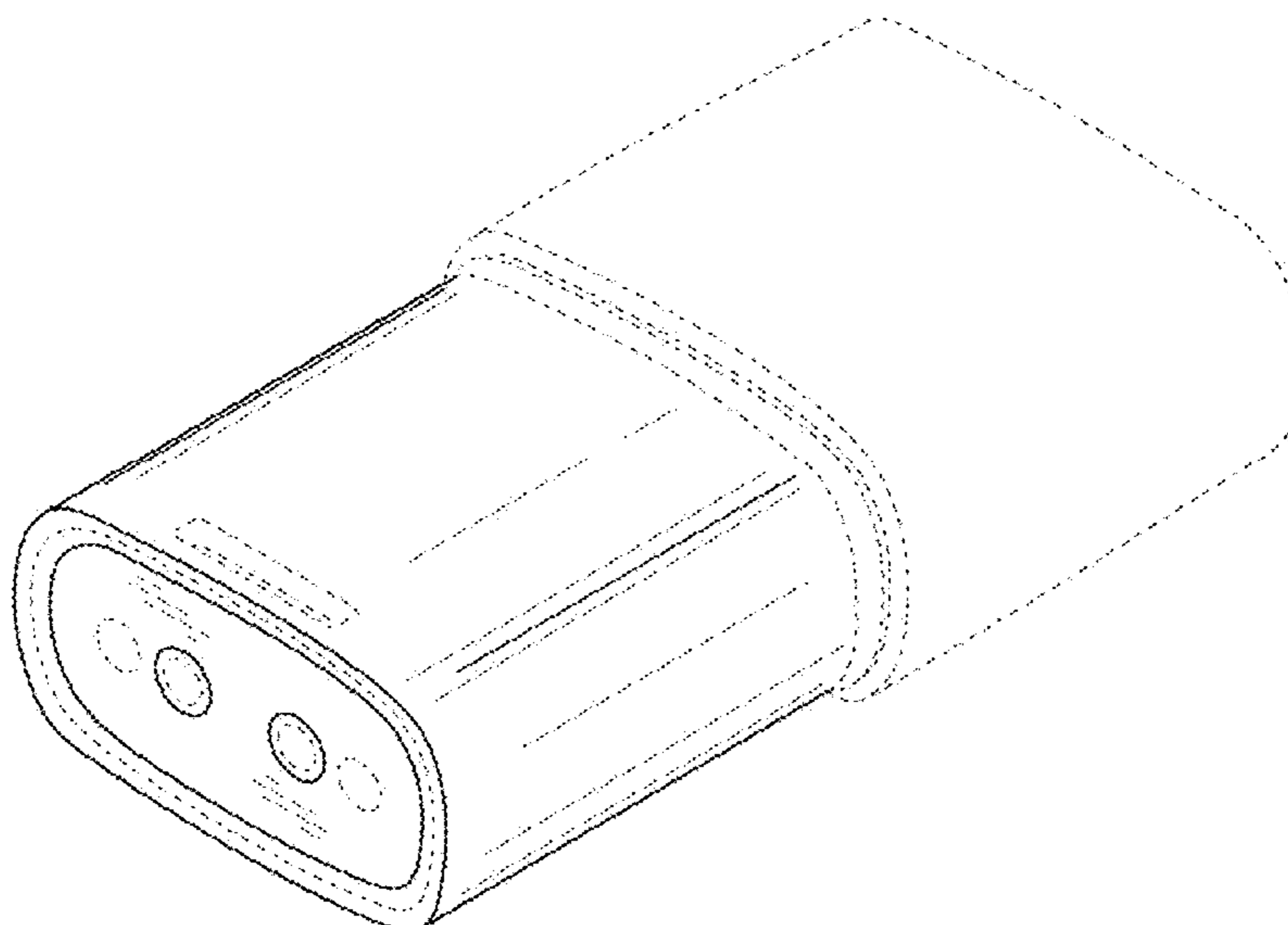
(57) **CLAIM**

The ornamental design for a vaporizer cartridge, as shown and described.

DESCRIPTION

FIG. 1 shows a bottom perspective view of a vaporizer cartridge, showing our new design;
FIG. 2 shows a top perspective view thereof;
FIG. 3 shows a front plan view thereof; the rear plan view is the same;
FIG. 4 shows a side plan view thereof; the opposite side plan view is the same;
FIG. 5 shows a top plan view thereof; and,
FIG. 6 shows a bottom plan view thereof.
The broken lines show portions of the vaporizer cartridge that form no part of the claimed design.

1 Claim, 5 Drawing Sheets



US D927,061 S

Page 2

(56)	References Cited						
	U.S. PATENT DOCUMENTS						
1,067,531	A ‡	7/1913 MacGregor	B42F 17/00	3,420,360	A ‡	1/1969 Young	B65D 85/10 206/25
1,163,183	A ‡	12/1915 Stoll	B65D 85/1009	3,443,827	A ‡	5/1969 Boezi	F16L 37/12 285/39
1,299,162	A ‡	4/1919 Fisher	B65D 85/1009	3,456,645	A ‡	7/1969 Brock	A61M 15/0091 128/20
1,485,260	A ‡	2/1924 Fritz	A61M 15/00	3,479,561	A ‡	11/1969 Janning	F21V 23/04 315/11
1,505,748	A ‡	8/1924 Tamis	A24F 15/12	3,565,071	A ‡	2/1971 Sanford	A61M 15/00 128/20
1,552,877	A ‡	9/1925 Phillipps	A24F 25/02	3,567,014	A ‡	3/1971 Feigelman	B65D 77/0426 206/76
1,632,335	A ‡	6/1927 Hiering	A24F 15/00	3,675,661	A ‡	7/1972 Weaver	A24F 1/08 131/21
1,706,244	A ‡	3/1929 Meyerson	A24F 15/18	3,707,017	A ‡	12/1972 Paquette	E05D 7/02 16/385
1,845,340	A ‡	2/1932 Ritz Woller	A24F 15/18	3,779,770	A ‡	12/1973 Alston	G03C 8/44 396/36
1,972,118	A ‡	9/1934 McDill	A24F 25/00	3,792,704	A ‡	2/1974 Parker	A24D 1/14 131/34
1,998,683	A ‡	4/1935 Montgomery	A24F 25/00	3,815,597	A ‡	6/1974 Goettelman	A61M 15/06 131/19
2,031,363	A ‡	2/1936 Erikson	A45C 15/00	3,861,523	A ‡	1/1975 Fountain	A24F 15/12 206/23
2,039,559	A ‡	5/1936 Segal	A24F 15/18	3,941,300	A ‡	3/1976 Troth	B65D 5/12 229/5
2,104,266	A ‡	1/1938 McCormick	A24F 47/008	4,020,853	A ‡	5/1977 Nuttall	A24F 1/22 131/19
2,159,698	A ‡	5/1939 Harris	A24F 1/00	4,049,005	A ‡	9/1977 Hernandez	A24F 13/04 131/18
2,177,636	A ‡	10/1939 Coffelt	A24F 13/14	4,066,088	A ‡	1/1978 Ensor	A24F 13/00 131/18
2,195,260	A ‡	3/1940 Rasener	A24F 5/06	D250,485	S ‡	12/1978 Cuthbertson	D27/16
2,231,909	A ‡	2/1941 Hempel	E05F 1/1207	D255,548	S ‡	6/1980 Grodin	D9/439
2,327,120	A ‡	8/1943 McCoon	A24F 15/14	4,207,976	A ‡	6/1980 Herman	B65D 85/109 206/24
D142,178	S ‡	8/1945 Becwar	D27/18	4,215,708	A ‡	8/1980 Bron	A24F 13/04 131/33
2,460,427	A ‡	2/1949 Musselman	F23Q 2/06	4,219,032	A ‡	8/1980 Tabatznik	A24F 1/00 131/17
2,483,304	A ‡	9/1949 Vogel	A24F 15/12	D260,690	S ‡	9/1981 Stutzer	D27/15
2,502,561	A ‡	4/1950 Ebert	B65D 5/5253	4,303,083	A ‡	12/1981 Burruss, Jr.	A61M 15/06 131/19
2,765,949	A ‡	10/1956 Hillman	E05D 1/06	4,312,367	A ‡	1/1982 Seeman	A24B 15/38 131/27
2,830,597	A ‡	4/1958 Kumpli	A24F 47/002	4,347,855	A ‡	9/1982 Lanzillotti	A24C 5/00
2,860,638	A ‡	11/1958 Bartolomeo	A24F 47/002	4,391,285	A ‡	7/1983 Burnett	A24C 5/00 131/36
2,897,958	A ‡	8/1959 Tarleton	A24F 15/12	D271,255	S ‡	11/1983 Rousseau	D3/207
2,935,987	A ‡	5/1960 Ackerbauer	B65D 85/00	4,492,480	A ‡	1/1985 Wadso	G01K 1/16 165/16
2,956,569	A ‡	10/1960 Adams	A24F 13/02	4,506,683	A ‡	3/1985 Cantrell	A24D 3/043 131/33
D194,088	S ‡	11/1962 Mann	D27/17	4,519,319	A ‡	5/1985 Howlett	A47F 5/116 108/18
3,085,145	A ‡	4/1963 Wray, Jr.	A61M 11/044	4,520,938	A ‡	6/1985 Finke	B65D 50/041 215/22
3,146,937	A ‡	9/1964 Vesak	B65D 5/46032	D280,494	S ‡	9/1985 Abel	D10/10
3,258,015	A ‡	6/1966 Ellis	A24F 47/004	4,595,024	A ‡	6/1986 Greene	A24D 1/00 131/77
3,271,719	A ‡	9/1966 Ovshinsky	H01L 45/1286	4,625,737	A ‡	12/1986 Keritsis	A24B 15/14 131/35
3,292,634	A ‡	12/1966 Beucler	A24D 1/14	4,648,393	A ‡	3/1987 Landis	A61M 15/0091 128/20
D207,887	S ‡	6/1967 Parsisson et al.	D9/439	4,708,151	A ‡	11/1987 Shelar	A24D 1/14 131/35
3,373,915	A ‡	3/1968 Anderson	B29C 65/02	4,735,217	A ‡	4/1988 Gerth	A24F 47/008 128/20
			206/24	4,771,796	A ‡	9/1988 Myer	A24F 47/002 131/27
				D299,066	S ‡	12/1988 Newell	D24/110
				4,793,365	A ‡	12/1988 Sensabaugh, Jr. ...	A24B 15/165 131/19
				4,794,323	A ‡	12/1988 Zhou	G01K 7/223 324/71

(56)

References Cited

U.S. PATENT DOCUMENTS

- D371,633 S † 7/1996 Chenard D27/16
5,545,904 A † 8/1996 Orbach H01L 23/5256
257/20
5,564,442 A † 10/1996 MacDonald A24F 13/00
131/19
5,579,934 A † 12/1996 Buono B65D 50/041
215/21
5,591,368 A † 1/1997 Fleischhauer A24F 47/008
131/19
5,605,226 A † 2/1997 Hernlein A24F 15/18
206/49
D379,810 S † 6/1997 Giordano, Jr. D14/13
5,641,064 A † 6/1997 Goserud B65D 39/16
206/31
D380,293 S † 7/1997 Cudmore D3/208
5,649,552 A † 7/1997 Cho A24B 3/182
131/29
D382,146 S † 8/1997 Sandy D25/12
5,666,977 A † 9/1997 Higgins A24F 47/008
128/20
5,666,978 A † 9/1997 Counts A24F 47/008
131/19
5,708,258 A † 1/1998 Counts A24F 47/008
131/19
5,730,118 A † 3/1998 Hermanson A45F 5/00
128/20
5,730,158 A † 3/1998 Collins H05B 3/42
131/19
5,746,587 A † 5/1998 Racine A24F 15/18
206/85
D397,504 S † 8/1998 Zelenik D27/18
D398,150 S † 9/1998 Vonarburg D28/85
5,807,509 A † 9/1998 Shrier H01C 7/10
252/51
5,810,164 A † 9/1998 Rennecamp B65D 85/1081
131/26
5,819,756 A † 10/1998 Mielordt A24F 47/008
131/33
D401,215 S † 11/1998 Moskowitz D13/10
5,845,649 A † 12/1998 Saito A24B 15/165
131/35
D405,007 S † 2/1999 Naas, Sr. D27/18
D405,413 S † 2/1999 Segers D13/10
5,865,185 A † 2/1999 Collins A24F 47/008
131/19
5,865,186 A † 2/1999 Volsey, II A24F 47/006
131/19
5,878,752 A † 3/1999 Adams A24F 47/008
131/32
5,881,884 A † 3/1999 Podosek B65D 5/5445
206/73
D407,978 S † 4/1999 Petro D9/453
5,894,841 A † 4/1999 Voges A24F 47/008
128/20
D411,332 S † 6/1999 Zelenik D27/18
D412,279 S † 7/1999 Brice D7/629
D412,486 S † 8/1999 Gray D13/10
5,931,828 A † 8/1999 Durkee B65D 51/002
215/24
5,934,289 A † 8/1999 Watkins A24F 47/008
128/20
5,938,018 A † 8/1999 Keaveney A24F 15/18
206/26
5,944,025 A † 8/1999 Cook A24F 47/006
131/33
5,954,979 A † 9/1999 Counts A24F 47/008
131/19
D414,893 S † 10/1999 Moore D27/19
5,967,310 A † 10/1999 Hill A24F 23/04
131/32
5,975,415 A † 11/1999 Zehnal B65D 5/541
206/80
5,979,460 A † 11/1999 Matsumura A24D 3/10
131/33
5,979,548 A † 11/1999 Rhodes F28D 7/06
165/28
5,994,025 A † 11/1999 Iwasa G03F 7/0045
430/27
5,996,589 A † 12/1999 St. Charles A24F 47/002
131/27
6,024,097 A † 2/2000 Von Wielligh A24F 47/002
131/27
6,026,820 A † 2/2000 Baggett, Jr. A24F 47/008
131/37
6,040,560 A † 3/2000 Fleischhauer A24F 47/008
128/20
D422,884 S † 4/2000 Lafond D8/354
6,053,176 A † 4/2000 Adams A24F 47/008
128/20
D424,236 S † 5/2000 Reed D27/16
D424,739 S † 5/2000 Ross D27/17
6,089,857 A † 7/2000 Matsuura A61M 15/06
431/14
6,095,153 A † 8/2000 Kessler A24F 47/008
131/19
6,102,036 A † 8/2000 Slutsky A61M 15/0045
128/20
6,119,684 A † 9/2000 Nohl A61M 15/009
128/20
6,125,853 A † 10/2000 Susa A24F 47/008
131/27
D433,532 S † 11/2000 Higgins D27/18
6,155,268 A † 12/2000 Takeuchi A24F 47/008
131/27
6,164,287 A † 12/2000 White A24F 47/008
131/19
D436,686 S † 1/2001 Fujisawa D27/16
6,196,232 B1 † 3/2001 Chkadua A24F 1/00
131/17
6,216,705 B1 † 4/2001 Ossepian A24F 47/002
128/20
D442,328 S † 5/2001 Barmes D27/16
6,234,169 B1 † 5/2001 Bulbrook A61M 15/06
128/20
6,239,687 B1 † 5/2001 Shrier H01C 7/105
338/21
6,265,789 B1 † 7/2001 Honda H02J 7/025
307/33
D446,499 S † 8/2001 Andre D13/11
D447,276 S † 8/2001 Gustafson D27/16
6,269,966 B1 † 8/2001 Pallo A45C 5/02
220/4
D449,404 S † 10/2001 Emery D27/186
6,310,752 B1 † 10/2001 Shrier H01C 7/105
361/56
D450,313 S † 11/2001 Koinuma D14/21
D450,662 S † 11/2001 Kwok D13/16
6,324,261 B1 † 11/2001 Merte H04M 1/0291
379/10
6,349,728 B1 † 2/2002 Pham A24F 13/00
131/17
D454,079 S † 3/2002 Fong D10/40
6,381,739 B1 † 4/2002 Breternitz, Jr. G06F 8/443
714/37
6,386,371 B1 † 5/2002 Parsons B65D 5/504
206/48
6,407,371 B1 † 6/2002 Toya H05B 3/0047
118/72
6,418,938 B1 † 7/2002 Fleischhauer A24F 9/04
131/24
6,431,363 B1 † 8/2002 Hacker B65D 5/5038
206/48
6,443,146 B1 † 9/2002 Voges A24F 47/002
128/20
6,446,793 B1 † 9/2002 Layshock A24F 15/18
206/85
D465,660 S † 11/2002 Doeing D19/90
D465,731 S † 11/2002 Brant D9/453

(56)

References Cited

U.S. PATENT DOCUMENTS

- D656,496 S † 3/2012 Andre D14/34
 8,141,701 B2 † 3/2012 Hodges A24C 5/608
 206/26
 8,156,944 B2 † 4/2012 Han H01M 2/1055
 8,157,918 B2 † 4/2012 Becker A24D 1/02
 131/27
 8,170,623 B2 † 5/2012 Dorogusker H02J 7/342
 455/57
 D661,889 S † 6/2012 Wu D3/207
 D661,991 S † 6/2012 Brummelhuis D9/529
 8,205,622 B2 † 6/2012 Pan A61M 11/042
 131/27
 D664,146 S † 7/2012 Hoehn D14/43
 D664,636 S † 7/2012 Robinson D23/36
 D664,920 S † 8/2012 Huang D13/10
 D665,346 S † 8/2012 Kumagai D13/10
 D665,734 S † 8/2012 Fitch D13/10
 D666,144 S † 8/2012 Brand D13/10
 8,251,060 B2 † 8/2012 White A61M 11/001
 128/20
 D669,899 S † 10/2012 Cheng D14/43
 8,282,995 B2 † 10/2012 Calzia H01L 21/02628
 427/38
 D670,272 S † 11/2012 Suzuki D14/21
 D670,659 S † 11/2012 Ishikawa D13/16
 8,308,624 B2 † 11/2012 Travers A24D 3/14
 493/47
 8,314,235 B2 † 11/2012 Dixit C07D 471/08
 544/34
 D672,351 S † 12/2012 Camacho D14/43
 D672,714 S † 12/2012 Brandys D13/10
 D672,715 S † 12/2012 Brunner D13/11
 8,322,350 B2 † 12/2012 Lipowicz A24F 47/002
 131/27
 D674,182 S † 1/2013 Copeland D3/208
 D674,748 S † 1/2013 Ferber D13/10
 8,344,693 B2 † 1/2013 Budziszek H02J 7/32
 320/11
 D675,777 S † 2/2013 Wu D27/10
 D676,741 S † 2/2013 van Landsveld D9/423
 D676,810 S † 2/2013 Smith D13/11
 D677,000 S † 2/2013 Liu D27/189
 8,371,310 B2 † 2/2013 Brenneise A24F 47/008
 131/32
 8,375,947 B2 † 2/2013 Alston A61M 16/204
 128/20
 8,375,957 B2 † 2/2013 Hon H01M 2/1022
 131/19
 8,381,739 B2 † 2/2013 Gonda A61K 15/009
 131/27
 8,387,612 B2 † 3/2013 Damani A61M 11/00
 126/26
 8,393,331 B2 † 3/2013 Hon A61M 11/042
 131/19
 8,402,978 B2 † 3/2013 Karles A24D 3/048
 131/33
 D679,999 S † 4/2013 Miceli D9/453
 D680,000 S † 4/2013 Miceli D9/453
 D680,263 S † 4/2013 Braley D27/18
 8,424,539 B2 † 4/2013 Braunshteyn A24D 3/0283
 131/33
 D681,445 S † 5/2013 van Landsveld D9/423
 D681,465 S † 5/2013 Cox D9/453
 D681,466 S † 5/2013 Cox D9/453
 D682,090 S † 5/2013 Scatterday D9/430
 D682,698 S † 5/2013 Young D9/529
 D682,841 S † 5/2013 Suetake D14/48
 8,443,534 B2 † 5/2013 Goodfellow B65D 27/00
 40/359
 D683,844 S † 6/2013 Andrade D24/110
 D684,683 S † 6/2013 Curti D24/11
 8,464,867 B2 † 6/2013 Holloway B65D 85/1009
 206/25
 D686,336 S † 7/2013 Horian D24/22
 D686,987 S † 7/2013 Vanstone D13/10
 D687,042 S † 7/2013 Yoneta D14/48
 8,479,747 B2 † 7/2013 O'Connell A24B 15/167
 131/30
 8,490,629 B1 † 7/2013 Shenassa A24F 1/28
 131/19
 8,495,998 B2 † 7/2013 Schennum A61M 15/06
 128/20
 D687,299 S † 8/2013 Peykoff D9/453
 D688,128 S † 8/2013 Krause B65D 51/245
 D9/453
 8,499,766 B1 † 8/2013 Newton A24F 47/008
 131/27
 8,511,318 B2 † 8/2013 Hon A24B 15/167
 131/27
 D689,818 S † 9/2013 Sasada D13/10
 D690,461 S † 9/2013 Chen D27/18
 8,539,959 B1 † 9/2013 Scatterday A24F 47/008
 131/36
 8,541,401 B2 † 9/2013 Mishra A24F 47/008
 514/18
 D691,324 S † 10/2013 Saliman D27/10
 D692,615 S † 10/2013 Verleur D27/18
 8,550,069 B2 † 10/2013 Alelov A61M 15/0003
 128/20
 8,552,691 B2 † 10/2013 Wu H02J 7/045
 320/13
 D693,054 S † 11/2013 Verleur D27/18
 D693,221 S † 11/2013 Ramsey D9/453
 D693,684 S † 11/2013 Ramsey D9/453
 D693,685 S † 11/2013 Ramsey D9/453
 D694,109 S † 11/2013 Tanner D9/453
 D694,110 S † 11/2013 Tanner D9/453
 8,578,942 B2 † 11/2013 Schennum A61M 15/06
 131/27
 8,578,943 B2 † 11/2013 Luan A24B 15/28
 131/33
 D695,450 S † 12/2013 Benassayag D27/16
 D696,051 S † 12/2013 Scatterday D6/680
 8,596,460 B2 † 12/2013 Scatterday B65D 5/54
 206/73
 D697,029 S † 1/2014 Chiu D13/11
 D700,136 S † 2/2014 Morris D13/10
 D700,372 S † 2/2014 Altman D26/2
 8,646,462 B2 † 2/2014 Yamada A61M 15/06
 131/32
 D700,572 S † 3/2014 Esses D13/10
 8,671,952 B2 † 3/2014 Winterson B65B 9/20
 131/35
 8,678,012 B2 † 3/2014 Li A24F 47/008
 131/27
 D703,680 S † 4/2014 Lin D14/48
 8,689,789 B2 † 4/2014 Andrus A61M 15/0088
 128/20
 8,689,805 B2 † 4/2014 Hon A24F 47/008
 131/27
 8,695,794 B2 † 4/2014 Scatterday A24F 15/12
 206/24
 8,707,965 B2 † 4/2014 Newton A61M 15/06
 131/27
 D704,629 S † 5/2014 Liu D13/10
 D704,634 S † 5/2014 Eidelman D13/10
 D705,719 S † 5/2014 Wong D13/10
 D705,918 S † 5/2014 Robinson D23/36
 8,714,150 B2 † 5/2014 Alelov A24F 47/008
 128/20
 8,714,161 B2 † 5/2014 Liu A24F 47/008
 131/27
 8,733,345 B2 † 5/2014 Siller A24F 47/006
 128/20
 8,733,346 B2 † 5/2014 Rinker A61M 15/06
 128/20
 D707,389 S † 6/2014 Liu D27/19
 D707,627 S † 6/2014 Brunner D13/11
 8,739,788 B2 † 6/2014 Yomtov A61M 11/04
 128/20

(56) **References Cited**

U.S. PATENT DOCUMENTS

8,741,348 B2 † 6/2014 Hansson A61K 31/465
424/48

8,752,545 B2 † 6/2014 Buchberger B05B 7/168
128/20

8,752,557 B2 † 6/2014 Lipowicz A24F 40/10
131/27

8,757,169 B2 † 6/2014 Gysland A24F 47/008
131/27

D708,571 S † 7/2014 Ji D13/10

D708,727 S † 7/2014 Postma D23/36

D709,766 S † 7/2014 Miceli D9/453

D709,823 S † 7/2014 Corley D13/10

8,770,187 B2 † 7/2014 Murphy A61M 15/0093
128/20

8,781,307 B2 † 7/2014 Buzzetti A61M 11/044
392/39

8,790,556 B2 † 7/2014 Bundren B29C 48/12
264/10

8,794,231 B2 † 8/2014 Thorens A24D 3/18
128/20

8,794,244 B2 † 8/2014 Hammel A24F 47/008
131/19

8,794,245 B1 † 8/2014 Scatterday A24F 15/18
131/32

8,794,434 B2 † 8/2014 Scatterday A24F 15/12
206/26

8,807,140 B1 † 8/2014 Scatterday A24F 47/002
131/27

8,809,261 B2 † 8/2014 Elsohly A61K 47/542
514/1

8,813,747 B2 † 8/2014 Gibson A61M 11/042
128/20

8,813,759 B1 † 8/2014 Horian A24F 47/002
131/27

D712,347 S † 9/2014 Awiszus D13/10

D714,147 S † 9/2014 Lindstrom, Sr. D9/453

8,820,330 B2 † 9/2014 Bellinger A61M 15/06
131/27

8,829,395 B2 † 9/2014 Bao B05B 1/24
219/20

D714,728 S † 10/2014 Gentil D13/14

8,851,068 B2 † 10/2014 Cohen A61M 11/042
128/20

8,851,081 B2 † 10/2014 Fernando A24F 47/008
131/19

8,851,083 B2 † 10/2014 Oglesby A61M 11/042
131/27

8,857,446 B2 † 10/2014 Wu A24F 47/008
131/27

8,863,752 B2 † 10/2014 Hon A24F 47/002
131/19

8,869,792 B1 † 10/2014 Lee A61M 11/042
128/20

8,881,737 B2 † 11/2014 Collett H05B 3/265
131/27

8,881,738 B2 † 11/2014 Bryman A24F 3/00
131/32

8,893,726 B2 † 11/2014 Hon A61M 11/005
131/27

8,897,628 B2 † 11/2014 Conley A61M 15/06
392/38

D718,621 S † 12/2014 Mitchell D9/435

D718,723 S † 12/2014 Clymer D13/16

D718,933 S † 12/2014 Brown, Jr. D3/255

D719,701 S † 12/2014 Scatterday D27/18

D720,095 S † 12/2014 Alima D27/16

D720,496 S † 12/2014 Alima D27/10

D720,497 S † 12/2014 Alima D27/10

8,899,238 B2 † 12/2014 Robinson A24B 15/167
131/20

8,899,240 B2 † 12/2014 Mass A61M 15/06
131/27

8,905,040 B2 † 12/2014 Scatterday A61M 11/042
131/27

8,910,630 B2 † 12/2014 Todd A61M 15/0028
128/20

8,910,639 B2 † 12/2014 Chang A24F 47/008
131/27

8,910,640 B2 † 12/2014 Sears A24F 47/008
131/27

8,910,641 B2 † 12/2014 Hon H02J 7/0045
131/27

8,910,783 B2 † 12/2014 Liu A24F 15/12
206/26

8,915,254 B2 † 12/2014 Monsees A61M 1/048
131/27

8,919,561 B2 † 12/2014 Boisseau A61J 7/04
206/53

D721,202 S † 1/2015 Liu D27/10

D721,577 S † 1/2015 Scatterday D9/432

8,925,555 B2 † 1/2015 Monsees F23Q 2/32
131/27

8,928,277 B2 † 1/2015 Xiang H02J 50/40
320/10

8,931,492 B2 † 1/2015 Scatterday A24F 47/008
131/27

D721,972 S † 2/2015 Brewer D9/529

D722,023 S † 2/2015 Brunner D13/11

8,948,578 B2 † 2/2015 Buchberger A61M 11/042
392/39

8,950,395 B2 † 2/2015 Schennum A61M 15/06
128/20

8,955,522 B1 † 2/2015 Bowen A61M 15/06
131/27

8,960,199 B2 † 2/2015 Zhuang A24D 3/048
131/36

8,961,492 B2 † 2/2015 Imran A61N 1/325
604/50

8,963,725 B2 † 2/2015 Xiang G01N 21/534
340/62

D723,735 S † 3/2015 Liu D27/18

D723,736 S † 3/2015 Liu D27/18

D723,737 S † 3/2015 Liu D27/18

D723,919 S † 3/2015 Taber D9/453

D724,037 S † 3/2015 Yoshioka D13/16

D725,124 S † 3/2015 Lin D14/48

D725,310 S † 3/2015 Eksouzian D27/16

D725,823 S † 3/2015 Scatterday A24F 15/12
D27/18

8,967,382 B2 † 3/2015 Liu A24F 15/18
206/58

8,973,587 B2 † 3/2015 Liu H02J 7/0042
131/27

8,975,764 B1 † 3/2015 Abehasera F03G 7/08
290/1 R

8,978,663 B2 † 3/2015 Newton A24F 15/18
131/34

8,991,402 B2 † 3/2015 Bowen A61M 11/047
131/19

8,993,836 B2 † 3/2015 Tissier C12N 9/2402
800/27

D726,727 S † 4/2015 Holz D14/40

9,004,073 B2 † 4/2015 Tucker A24F 40/70
131/27

9,010,335 B1 † 4/2015 Scatterday A24F 47/008
131/27

9,016,274 B1 † 4/2015 White A61M 15/06
128/20

9,018,899 B2 † 4/2015 Xiang H02J 7/025
320/10

D728,855 S † 5/2015 Liu D27/16

D729,030 S † 5/2015 Novick D8/98

D729,277 S † 5/2015 Uchida D14/49

D729,366 S † 5/2015 Kauss D23/36

D729,439 S † 5/2015 Scatterday D27/10

D729,444 S † 5/2015 Leidel D27/16

D729,445 S † 5/2015 Leidel D27/18

D730,282 S † 5/2015 Miller D13/10

D730,571 S † 5/2015 Chen D27/10

(56)

References Cited

U.S. PATENT DOCUMENTS

D730,572 S †	5/2015	Leidel	D27/16	D746,291 S †	12/2015	Solomon	D14/43
9,022,026 B2 †	5/2015	Fang	A24F 47/004	9,198,463 B2 †	12/2015	Liu	A24F 15/12
			128/20	9,198,464 B2 †	12/2015	Liu	A24F 15/12
9,022,039 B2 †	5/2015	Hearn	A61M 16/20	9,198,466 B2 †	12/2015	Liu	A24F 47/008
			131/27	9,204,670 B2 †	12/2015	Liu	A24F 47/008
9,025,291 B2 †	5/2015	Xiang	H02H 7/20	9,215,895 B2 †	12/2015	Bowen	A24B 15/167
			361/93	9,220,302 B2 †	12/2015	DePiano	H05B 3/04
9,028,808 B2 †	5/2015	Huland	A61P 25/34	9,220,303 B2 †	12/2015	Li	A61M 15/06
			424/85	D747,035 S †	1/2016	Moradian	D27/10
9,032,968 B2 †	5/2015	Glasberg	A24F 47/008	D747,265 S †	1/2016	Marini	D13/10
			131/27	D747,546 S †	1/2016	Liu	D27/16
9,038,626 B2 †	5/2015	Yamada	A61M 11/042	D747,603 S †	1/2016	Gaddis	D3/208
			128/20	D747,722 S †	1/2016	Webb	D14/43
9,038,642 B2 †	5/2015	Liu	A24F 47/008	D747,852 S †	1/2016	Meyers	D2/857
			131/27	D748,329 S †	1/2016	Bagai	D27/18
D731,114 S †	6/2015	Leidel	D27/18	9,226,525 B2 †	1/2016	Liu	H05B 1/0244
D733,050 S †	6/2015	Chiang	D13/10	9,226,526 B2 †	1/2016	Liu	A24F 47/008
D733,142 S †	6/2015	Solomon	D14/43	9,233,217 B2 †	1/2016	Jones	A61M 15/06
D733,356 S †	6/2015	Leidel	D27/16	9,240,695 B2 †	1/2016	Xiang	H02J 7/0047
9,046,278 B2 †	6/2015	Koller	A24F 47/008	9,240,697 B2 †	1/2016	Xiang	H02J 7/00
9,050,431 B2 †	6/2015	Turner	A61M 15/06	D748,852 S †	2/2016	Wu	D27/10
9,055,617 B2 †	6/2015	Thorens	H05B 3/58	D748,853 S †	2/2016	Seibel	D27/10
9,055,770 B2 †	6/2015	Liu	A24F 47/008	D749,260 S †	2/2016	Wu	D27/10
9,060,388 B2 †	6/2015	Liu	H05B 1/0244	D749,261 S †	2/2016	Chen	D27/16
9,060,548 B2 †	6/2015	Zheng	A24F 47/008	D749,505 S †	2/2016	Verleur	D13/10
9,066,543 B2 †	6/2015	Cameron	A24F 47/008	D749,510 S †	2/2016	Liu	D13/10
D734,259 S †	7/2015	Cepress	D13/11	D749,781 S †	2/2016	Lane	D27/18
9,072,321 B2 †	7/2015	Liu	G01P 13/0026	D750,320 S †	2/2016	Verleur	H05B 1/0244
9,072,322 B2 †	7/2015	Liu	A24F 47/008	D750,321 S †	2/2016	Chen	D27/19
9,078,472 B2 †	7/2015	Liu	H01R 13/6205	9,247,773 B2 †	2/2016	Memari	A24F 40/48
9,078,473 B2 †	7/2015	Worm	A24F 40/42	9,254,002 B2 †	2/2016	Chong	A24F 47/004
9,078,474 B2 †	7/2015	Thompson	A24F 47/008	9,254,005 B2 †	2/2016	Liu	A24F 15/20
9,078,475 B2 †	7/2015	Li	A61M 11/042	9,255,277 B2 †	2/2016	Bakker	A61P 1/16
9,089,166 B1 †	7/2015	Scatterday	A24F 47/002	D750,835 S †	3/2016	Wei	D27/10
9,089,168 B2 †	7/2015	Liu	A61M 11/042	D751,250 S †	3/2016	Vuong	D27/18
9,090,173 B2 †	7/2015	Oishi	H02J 50/12	D751,527 S †	3/2016	Hinokio	D14/20
D736,706 S †	8/2015	Huang	D13/10	D751,755 S †	3/2016	Van Riper	D27/18
D736,995 S †	8/2015	Recio	D27/14	D751,757 S †	3/2016	Stern	D27/18
D737,508 S †	8/2015	Liu	D27/18	D751,984 S †	3/2016	Lin	D13/10
9,095,174 B2 †	8/2015	Capuano	A24F 1/30	D752,277 S †	3/2016	Liu	D27/10
9,095,175 B2 †	8/2015	Terry	A61M 15/0035	D752,278 S †	3/2016	Verleur	D27/10
9,099,873 B2 †	8/2015	Xiang	H02J 7/00308	D752,279 S †	3/2016	Liu	D27/10
9,101,729 B2 †	8/2015	Liu	A61M 11/042	D752,280 S †	3/2016	Verleur	D27/16
9,113,659 B2 †	8/2015	Liu	A24F 47/008	D752,281 S †	3/2016	Alima	D27/16
D737,566 S †	9/2015	Gaddis	D3/208	D752,282 S †	3/2016	Doster	D27/18
D738,038 S †	9/2015	Smith	D27/17	D752,283 S †	3/2016	Doster	D27/18
D739,973 S †	9/2015	Chao	D26/37	D752,284 S †	3/2016	Doster	D27/18
9,131,733 B2 †	9/2015	Liu	A24F 47/002	D752,285 S †	3/2016	Doster	D27/18
D741,001 S †	10/2015	Alarcon	D27/16	D752,286 S †	3/2016	Doster	D27/18
D741,002 S †	10/2015	Liu	D27/18	D752,808 S †	3/2016	Hearn	D27/18
D741,541 S †	10/2015	Liu	D27/19	9,271,525 B2 †	3/2016	Liu	A24F 15/00
D742,063 S †	10/2015	Recio	D27/15	9,271,526 B2 †	3/2016	Liu	A24F 15/12
D742,064 S †	10/2015	Leidel	D27/16	9,271,529 B2 †	3/2016	Alima	A24F 47/008
9,155,336 B2 †	10/2015	Liu	A24F 47/008	9,272,103 B2 †	3/2016	Storz	A61M 11/041
9,166,424 B2 †	10/2015	Oakley, Jr.	H02J 7/0042	9,277,768 B2 †	3/2016	Xiu	A24F 47/008
9,167,849 B2 †	10/2015	Adamic	A24F 13/00	9,277,769 B2 †	3/2016	Liu	A24F 47/008
9,167,850 B2 †	10/2015	Liu	A24F 15/12	9,281,705 B2 †	3/2016	Xiang	H02J 7/007
9,167,852 B2 †	10/2015	Xiu	A24F 47/008	9,282,772 B2 †	3/2016	Tucker	H05B 1/0244
9,167,853 B2 †	10/2015	Xiang	A24F 47/008	9,282,773 B2 †	3/2016	Greim	H05B 3/0014
D742,492 S †	11/2015	Robinson	D23/36	9,289,014 B2 †	3/2016	Tucker	H05B 3/12
D742,624 S †	11/2015	Meyers	D2/857	9,295,286 B2 †	3/2016	Shin	A61M 15/0023
D743,099 S †	11/2015	Oglesby	D27/16	D753,090 S †	4/2016	Langhammer	D14/20
D743,335 S †	11/2015	Chang	D13/11	D753,338 S †	4/2016	Chen	D27/16
D743,401 S †	11/2015	Shimano	D14/43	D753,873 S †	4/2016	Schuessler	D27/10
D744,159 S †	11/2015	Lukas	D27/18	D753,874 S †	4/2016	Moreno Medina	D27/10
9,185,937 B2 †	11/2015	Liu	A24F 47/008	D754,917 S †	4/2016	Salem	D27/16
9,197,726 B2 †	11/2015	Stanimirovic	H04M 1/185	D754,919 S †	4/2016	Alarcon	D27/17
D744,342 S †	12/2015	Blasko	D9/516	9,301,545 B2 †	4/2016	Li	A24F 15/12
D744,419 S †	12/2015	Bowen	H02J 7/00	9,301,549 B2 †	4/2016	Liu	A24F 47/008
			D13/10	9,302,800 B2 †	4/2016	Holmes	B67C 3/02
D744,696 S †	12/2015	Malhi	D27/17	9,302,825 B2 †	4/2016	Liu	B65D 43/22
D745,004 S †	12/2015	Kim	H04W 4/12	9,308,336 B2 †	4/2016	Newton	A61M 15/06
			D14/34	9,312,687 B2 †	4/2016	Xiang	H02H 3/087
D745,388 S †	12/2015	Taylor	D9/418	9,315,890 B1 †	4/2016	Frick	A61L 9/03
				9,320,300 B2 †	4/2016	Hon	A24F 40/44
				D755,057 S †	5/2016	Mutter	D9/529
				D755,506 S †	5/2016	Neely, III	D3/208
				D755,733 S †	5/2016	Ikegaya	D13/16
				D755,735 S †	5/2016	Kashimoto	D13/16

(56)

References Cited

U.S. PATENT DOCUMENTS

D756,030	S †	5/2016	Chen	D27/10	D767,201	S †	9/2016	Starr	D27/16
D756,031	S †	5/2016	Wu	D27/10	D767,820	S †	9/2016	Jordan	D27/17
D756,559	S †	5/2016	Li	D27/10	D767,821	S †	9/2016	Clark	D27/18
D756,776	S †	5/2016	Orset	D9/452	D767,822	S †	9/2016	Jordan	D27/19
D756,790	S †	5/2016	Henriksson	D9/504	9,433,242	B1 †	9/2016	Buffone	A24F 15/18
D757,352	S †	5/2016	Bagai	D27/10	9,438,049	B2 †	9/2016	Xiang	H02J 7/007
D757,353	S †	5/2016	Nunnely	D27/10	9,438,051	B2 †	9/2016	Firman, II	H02J 7/0042
D757,357	S †	5/2016	Helfrich	D27/16	9,439,455	B2 †	9/2016	Alarcon	A24F 40/90
D757,545	S †	5/2016	King	D9/453	9,439,456	B2 †	9/2016	Liu	A24F 47/008
D757,690	S †	5/2016	Lee	D14/21	9,440,035	B2 †	9/2016	Chung	A24F 47/008
D757,994	S †	5/2016	Moradian	D27/10	9,451,790	B2 †	9/2016	Liu	A24F 47/008
D757,995	S †	5/2016	Liu	D27/10	9,451,793	B2 †	9/2016	Zhou	A61M 15/06
D758,004	S †	5/2016	Freshwater	D27/16	9,455,579	B2 †	9/2016	Xiang	A24F 47/008
9,326,547	B2 †	5/2016	Tucker	A61M 11/003	D768,068	S †	10/2016	Chen	D13/10
9,326,549	B2 †	5/2016	Hon	A24F 47/002	D768,331	S †	10/2016	Chen	D27/10
9,332,787	B2 †	5/2016	Liu	A24F 47/008	D768,920	S †	10/2016	Jones	D27/18
9,345,269	B2 †	5/2016	Liu	A61M 15/06	D768,980	S †	10/2016	Alexander	D3/210
9,350,102	B2 †	5/2016	Wu	H01R 13/111	D769,518	S †	10/2016	Liu	D27/10
9,350,178	B2 †	5/2016	Xiang	H02J 7/0031	D769,519	S †	10/2016	Chen	D27/16
9,350,181	B2 †	5/2016	Xiang	H02J 7/32	D769,520	S †	10/2016	Hua	D27/16
9,351,522	B2 †	5/2016	Safari	A24B 15/16	D769,830	S †	10/2016	Clymer	D13/16
D758,647	S †	6/2016	Liu	D27/10	D770,088	S †	10/2016	Abadi	D27/16
D758,649	S †	6/2016	Liu	D27/10	D770,090	S †	10/2016	Zahr	D27/187
D758,650	S †	6/2016	Wu	D27/10	D770,091	S †	10/2016	Zahr	D27/187
D759,031	S †	6/2016	Ozolins	D14/48	9,456,632	B2 †	10/2016	Hon	H02J 7/0042
D759,297	S †	6/2016	Liu	D27/10	9,456,633	B2 †	10/2016	Liu	A61M 11/042
D759,303	S †	6/2016	Afridi	D27/16	9,456,634	B2 †	10/2016	Wang	A24F 47/008
D760,431	S †	6/2016	Liu	D27/18	9,459,021	B2 †	10/2016	Greim	A24F 47/008
9,357,802	B2 †	6/2016	Liu	A24F 15/18	9,462,832	B2 †	10/2016	Lord	H05B 1/0244
9,360,379	B2 †	6/2016	Liu	G01K 13/00	9,465,081	B2 †	10/2016	Xiang	A24F 47/008
9,364,025	B2 †	6/2016	Liu	A24F 47/008	9,474,305	B2 †	10/2016	Liu	A24F 47/008
9,364,026	B2 †	6/2016	Liu	A24F 47/008	D770,395	S †	11/2016	Clymer	D13/16
9,364,027	B2 †	6/2016	Hon	A61K 9/007	D770,456	S †	11/2016	Akana	D14/43
9,364,800	B2 †	6/2016	Dubief	A24F 47/008	D770,676	S †	11/2016	Bennett	D27/10
9,365,312	B2 †	6/2016	Tritz	B65D 85/1009	D770,678	S †	11/2016	Shin	D27/16
9,379,364	B2 †	6/2016	Alima	A24F 47/008	D770,679	S †	11/2016	Weigensberg	D27/18
D760,645	S †	7/2016	Chen	D13/10	D771,219	S †	11/2016	Gilbarte	D22/11
D760,952	S †	7/2016	Mayor	D27/16	D771,307	S †	11/2016	Wu	D27/10
D761,488	S †	7/2016	Alarcon	D27/18	D771,308	S †	11/2016	Saydar	B02C 18/12
D761,999	S †	7/2016	Liu	D27/10					D27/16
D762,000	S †	7/2016	Liu	D27/10	D772,477	S †	11/2016	Shin	D27/16
D762,001	S †	7/2016	Liu	D27/10	D772,478	S †	11/2016	Liu	D27/16
D762,003	S †	7/2016	Lomeli	D27/16	D772,479	S †	11/2016	Stowers	D27/17
D762,326	S †	7/2016	Liu	D27/10	D772,480	S †	11/2016	Hua	D27/18
9,380,810	B2 †	7/2016	Rose	A24F 42/00	D772,879	S †	11/2016	Eliyahu	D14/43
9,380,812	B2 †	7/2016	Chung	A24F 1/02	D773,114	S †	11/2016	Leidel	D27/16
9,383,053	B2 †	7/2016	Liu	F16L 55/115	D773,115	S †	11/2016	Liu	D27/16
9,385,554	B2 †	7/2016	Xiang	H02J 7/00	D773,116	S †	11/2016	Liu	D27/16
9,386,803	B2 †	7/2016	Burke	A24D 3/14	9,480,285	B2 †	11/2016	Liu	A24F 47/008
D763,203	S †	8/2016	Ikegaya	D13/16	9,480,286	B2 †	11/2016	Liu	A24F 47/008
D763,204	S †	8/2016	Ikegaya	D13/16	9,497,993	B2 †	11/2016	Vallar	A24F 47/002
D763,502	S †	8/2016	Verleur	D27/16	9,497,994	B2 †	11/2016	Liu	A61M 11/042
D763,691	S †	8/2016	Marantis	D9/454	9,497,995	B2 †	11/2016	Liu	A24F 47/008
D764,098	S †	8/2016	Liu	D27/10	9,497,997	B2 †	11/2016	Wu	A61M 11/042
D764,703	S †	8/2016	Liu	D27/10	9,497,998	B2 †	11/2016	Chen	H05B 3/40
D765,307	S †	8/2016	Liu	D27/10	9,497,999	B2 †	11/2016	Lord	A24F 47/008
D765,308	S †	8/2016	Liu	D27/10	9,498,001	B2 †	11/2016	Wu	A24F 47/008
D765,309	S †	8/2016	Liu	D27/10	9,498,002	B1 †	11/2016	Soreide	A61M 15/0045
9,408,416	B2 †	8/2016	Monsees	G05D 23/1917	9,498,588	B2 †	11/2016	Benassayag	A61M 15/06
9,413,180	B2 †	8/2016	Liu	H02J 7/00	9,502,917	B2 †	11/2016	Xiang	H02J 7/0077
9,414,627	B2 †	8/2016	Liu	A24F 7/00	9,504,278	B2 †	11/2016	Liu	A24F 47/008
9,414,628	B2 †	8/2016	Liu	A24F 47/008	9,504,279	B2 †	11/2016	Chen	H05B 3/80
9,415,929	B2 †	8/2016	Liu	A24F 15/12	D773,391	S †	12/2016	Haarburger	D13/10
9,417,107	B2 †	8/2016	Xiang	G01F 25/0007	D773,727	S †	12/2016	Eksouzian	D27/10
9,420,831	B2 †	8/2016	Liu	A61M 15/06	D773,729	S †	12/2016	Jordan	D27/19
9,427,022	B2 †	8/2016	Levin	A24F 47/008	D774,035	S †	12/2016	Kao	D14/43
9,427,023	B2 †	8/2016	Liu	A24F 47/002	D774,247	S †	12/2016	Chen	D27/10
9,427,024	B2 †	8/2016	Liu	A24F 47/008	D774,248	S †	12/2016	Jordan	D27/19
9,427,025	B2 †	8/2016	Liu	A24F 47/008	D774,514	S †	12/2016	Turksu	D14/48
9,427,026	B2 †	8/2016	Wu	A61M 15/06	D774,693	S †	12/2016	Liu	D27/16
D765,907	S †	9/2016	Liu	D27/10	D774,892	S †	12/2016	Liu	D9/418
D765,908	S †	9/2016	Zahr	D27/187	D775,412	S †	12/2016	Di Bari	D27/10
D766,503	S †	9/2016	Liu	D27/16	D775,413	S †	12/2016	Liu	D27/10
D766,873	S †	9/2016	Washio	D14/21	9,510,624	B2 †	12/2016	Li	A61M 11/042
D767,200	S †	9/2016	Liu	D27/10	9,516,898	B2 †	12/2016	Liu	A24F 47/008
					9,521,867	B2 †	12/2016	Xiang	A24F 47/008
					9,526,272	B2 †	12/2016	Liu	A24F 47/008
					9,526,273	B2 †	12/2016	Liu	A24F 47/008
					9,531,183	B2 †	12/2016	Xiang	H02H 3/202

(56)

References Cited

U.S. PATENT DOCUMENTS

D775,762	S †	1/2017	Chen	D27/10	D785,862	S †	5/2017	Wu	D27/16
D776,051	S †	1/2017	Wang	D13/10	D786,497	S †	5/2017	Sudlow	D27/16
D776,162	S †	1/2017	Beck	D14/49	D786,789	S †	5/2017	Jordan	D13/10
D776,270	S †	1/2017	Wilcox	D24/12	D787,114	S †	5/2017	Scott	D27/19
D776,338	S †	1/2017	Lomeli	D27/16	D788,362	S †	5/2017	Qiu	D27/10
D776,340	S †	1/2017	Seibel	D27/18	9,635,886	B2 †	5/2017	Tu	A24F 47/008
D776,659	S †	1/2017	Hou	D14/43	9,641,208	B2 †	5/2017	Sela	F23Q 7/16
D776,869	S †	1/2017	Heidl	D27/16	9,642,396	B2 †	5/2017	Liu	H01M 2/20
D777,372	S †	1/2017	Liu	D27/16	9,642,397	B2 †	5/2017	Dai	B67D 7/0277
D777,976	S †	1/2017	Mahlmeister	D27/16	9,645,134	B1 †	5/2017	Farman	G01N 33/49
9,532,598	B2 †	1/2017	Liu	A24F 47/008	9,648,905	B2 †	5/2017	Levitz	A24F 13/00
9,532,599	B2 †	1/2017	Liu	A24F 47/008	9,648,908	B1 †	5/2017	Rinehart	A61M 15/06
9,532,601	B2 †	1/2017	Liu	A24F 47/008	9,648,909	B2 †	5/2017	Zhou	C03C 11/00
9,532,602	B2 †	1/2017	Liu	A24F 47/008	9,655,383	B2 †	5/2017	Holzherr	H02J 7/00
9,532,604	B2 †	1/2017	Conley	A61M 15/06	9,655,890	B2 †	5/2017	Hearn	A24B 15/16
9,532,605	B2 †	1/2017	Yamada	H05B 1/0244	9,661,878	B2 †	5/2017	Liu	A61M 15/06
9,538,781	B2 †	1/2017	Zheng	A24B 15/16	9,663,266	B2 †	5/2017	Schwester	B65D 5/503
9,538,783	B2 †	1/2017	Xiang	A24F 15/18	D788,697	S †	6/2017	Verleur	D13/10
9,538,787	B2 †	1/2017	Liu	A24F 47/008	D789,201	S †	6/2017	Yu	D9/453
9,538,789	B2 †	1/2017	Liu	A24F 47/008	D790,122	S †	6/2017	Hawes	D27/10
9,545,489	B2 †	1/2017	Turner	A61M 15/009	D790,126	S †	6/2017	Bennett	D27/10
9,549,572	B2 †	1/2017	Dincer	A24D 3/041	D790,127	S †	6/2017	Verleur	D27/18
9,549,573	B2 †	1/2017	Monsees	H05B 3/44	D790,129	S †	6/2017	Bennett	D27/18
9,554,596	B2 †	1/2017	Liu	A24F 47/008	D790,465	S †	6/2017	Zhao	D13/11
9,554,597	B2 †	1/2017	Liu	A24F 47/008	D790,766	S †	6/2017	Li	D27/16
9,555,203	B2 †	1/2017	Terry	A61M 15/0001	9,668,517	B2 †	6/2017	Liu	A24F 47/008
D778,235	S †	2/2017	Geier	D13/103	9,668,518	B2 †	6/2017	Esses	A24F 15/18
D778,493	S †	2/2017	Scott	D27/10	9,668,519	B2 †	6/2017	Mishra	A24F 47/008
D778,831	S †	2/2017	Chen	D13/10	9,668,520	B2 †	6/2017	Boldrini	A24F 47/008
D779,677	S †	2/2017	Chen	D24/21	9,668,521	B2 †	6/2017	Kuczaj	A24F 40/57
D779,719	S †	2/2017	Qiu	D27/10	9,668,522	B2 †	6/2017	Memari	G01F 23/00
D780,179	S †	2/2017	Bae	D14/37	9,668,523	B2 †	6/2017	Tucker	H05B 3/42
D780,183	S †	2/2017	Ferguson	D14/43	9,675,108	B2 †	6/2017	Liu	A24F 47/008
D780,372	S †	2/2017	Liu	D27/10	9,675,113	B2 †	6/2017	Liu	A24F 47/008
D780,373	S †	2/2017	Bennett	D27/18	9,675,114	B2 †	6/2017	Timmermans	A24F 47/008
9,560,882	B2 †	2/2017	Xiang	A24F 47/008	9,675,115	B2 †	6/2017	Liu	A24F 47/008
9,565,873	B2 †	2/2017	Zheng	A24F 1/30	9,675,116	B2 †	6/2017	Liu	A24F 47/008
9,565,876	B2 †	2/2017	Tsai	H05B 1/0244	9,675,117	B2 †	6/2017	Li	A61M 11/044
9,572,372	B2 †	2/2017	Liu	A24F 47/008	9,675,118	B2 †	6/2017	Chen	A24F 47/008
9,572,373	B2 †	2/2017	Chen	A24F 47/008	9,681,687	B2 †	6/2017	Liu	H01M 2/022
9,572,374	B2 †	2/2017	Gabbay	A24F 47/008	9,681,688	B1 †	6/2017	Rinehart	A61M 15/06
9,573,751	B2 †	2/2017	Liu	A24F 47/008	9,682,203	B2 †	6/2017	Dahne	A61M 15/06
9,578,002	B2 †	2/2017	Wu	G06F 21/31	9,682,204	B2 †	6/2017	Matsumoto	A24F 47/002
9,578,898	B2 †	2/2017	Liu	A24F 47/008	9,682,800	B2 †	6/2017	Xiang	A24F 15/12
D780,990	S †	3/2017	Liu	D27/10	9,687,025	B2 †	6/2017	Cyphert	A24F 40/20
D780,991	S †	3/2017	Liu	D27/10	9,687,027	B2 †	6/2017	Poston	A61M 11/047
D782,108	S †	3/2017	Jordan	D27/16	9,687,028	B2 †	6/2017	Park	A24B 15/167
D782,728	S †	3/2017	Pinder	D27/10	9,687,029	B2 †	6/2017	Liu	A24F 47/008
D782,729	S †	3/2017	Wright	D27/10	D792,021	S †	7/2017	Beer	D27/10
9,591,876	B2 †	3/2017	Alima	A24F 47/008	D792,022	S †	7/2017	Li	D27/16
9,596,881	B2 †	3/2017	Chiolini	A24B 15/16	D792,219	S †	7/2017	Bueno Nunez	D9/453
9,596,884	B2 †	3/2017	Liu	A24F 47/008	D792,643	S †	7/2017	Wong	D27/10
9,596,885	B2 †	3/2017	Liu	A24F 47/008	D792,644	S †	7/2017	Jordan	D27/10
9,596,886	B2 †	3/2017	Liu	A24F 47/008	D792,957	S †	7/2017	Starkenbourg	D23/36
9,596,887	B2 †	3/2017	Newton	A24F 47/008	D793,004	S †	7/2017	Liu	D27/18
9,602,646	B2 †	3/2017	Stanimirovic	H04B 1/3888	9,693,584	B2 †	7/2017	Hearn	A24F 47/002
9,603,198	B2 †	3/2017	Liu	A24F 47/008	9,693,586	B2 †	7/2017	Liu	A24F 47/008
9,603,386	B2 †	3/2017	Xiang	A24F 47/008	9,693,587	B2 †	7/2017	Plojoux	A24F 47/008
9,603,387	B2 †	3/2017	Liu	A24F 47/008	9,693,588	B2 †	7/2017	Zhu	A24F 47/008
9,603,389	B2 †	3/2017	Chen	A24F 47/008	9,695,033	B1 †	7/2017	Alshouse	B67D 7/302
9,603,390	B2 †	3/2017	Li	A24F 47/008	9,700,074	B2 †	7/2017	Liu	A24F 47/002
D784,609	S †	4/2017	Liu	D27/10	9,700,075	B2 †	7/2017	Liu	A24F 47/008
D785,234	S †	4/2017	Liu	D27/16	9,700,076	B2 †	7/2017	Xiang	A24F 47/008
D785,237	S †	4/2017	Wu	D27/16	9,713,345	B2 †	7/2017	Farine	G05D 23/1917
9,609,893	B2 †	4/2017	Novak, III	H05B 3/46	9,713,346	B2 †	7/2017	Hon	A24F 40/40
9,615,605	B2 †	4/2017	Liu	A24F 47/008	9,714,878	B2 †	7/2017	Powers	G01L 7/08
9,615,606	B2 †	4/2017	Liu	A24F 47/008	D793,620	S †	8/2017	Bennett	D27/19
9,615,607	B2 †	4/2017	Liu	A61M 15/06	9,717,274	B2 †	8/2017	Daehne	A24F 47/008
9,620,958	B2 †	4/2017	Liu	A24F 47/008	9,717,275	B2 †	8/2017	Liu	A24F 47/008
9,622,511	B2 †	4/2017	Zhu	A24F 47/008	9,717,276	B2 †	8/2017	Brammer	A24F 47/008
9,623,592	B2 †	4/2017	Liu	B29C 45/0001	9,717,277	B2 †	8/2017	Mironov	H05B 6/108
9,627,661	B2 †	4/2017	Liu	H01M 2/0404	9,717,278	B2 †	8/2017	Hon	H05B 3/0014
9,629,391	B2 †	4/2017	Dube	A24B 15/18	9,717,279	B2 †	8/2017	Hon	H02J 7/0045
9,629,394	B2 †	4/2017	Aronie	A61M 15/06	9,723,872	B2 †	8/2017	Liu	A24F 47/008
D785,859	S †	5/2017	Pang	D27/10	9,723,873	B2 †	8/2017	Liu	A24F 47/008
					9,723,874	B2 †	8/2017	Liu	A24F 47/008
					9,723,875	B2 †	8/2017	Liu	H05B 3/40
					9,723,876	B2 †	8/2017	Cadieux	A24F 47/008
					9,723,877	B2 †	8/2017	Wong	H05B 3/42

(56)

References Cited

U.S. PATENT DOCUMENTS

9,730,471 B2 †	8/2017	Li	A24F 47/008	2003/0150451 A1 †	8/2003	Shayan	A24F 47/008 128/20
9,738,622 B2 †	8/2017	Dull	A61P 3/04	2003/0154991 A1 †	8/2003	Fournier	A24D 1/02 131/19
D797,043 S †	9/2017	Akana	D13/10	2004/0031495 A1 †	2/2004	Steinberg	A61M 11/048 131/19
D797,557 S †	9/2017	Ziccardi	D9/453	2004/0050382 A1 †	3/2004	Goodchild	A61M 15/0065 128/20
D798,307 S †	9/2017	Otsuka	D14/48	2004/0099266 A1 †	5/2004	Cross	A61M 11/002 128/20
9,763,478 B2 †	9/2017	Cameron	H04M 1/21	2004/0129280 A1 †	7/2004	Woodson	A24F 47/008 131/19
9,770,055 B2 †	9/2017	Cameron	A61M 11/005	2004/0149296 A1 †	8/2004	Rostami	A24F 47/008 131/19
9,772,216 B2 †	9/2017	Poole	B65B 1/12	2004/0149624 A1 †	8/2004	Wischusen	B65D 5/542 206/73
D799,110 S †	10/2017	Qiu	D27/10	2004/0173224 A1 †	9/2004	Burgard	A61P 25/34 131/27
D799,746 S †	10/2017	Leidel	D27/16	2004/0173229 A1 †	9/2004	Crooks	A24B 15/286 131/35
D800,132 S †	10/2017	Maus	D14/43	2004/0182403 A1 †	9/2004	Andersson	A24F 47/002 131/27
9,775,380 B2 †	10/2017	Fernando	H02J 7/0044	2004/0191322 A1 †	9/2004	Hansson	A61K 9/146 424/48
9,802,011 B2 †	10/2017	Davidson	A61M 15/06	2004/0206350 A1 †	10/2004	Alston	A61M 15/0033 128/20
9,806,549 B2 †	10/2017	Liberti	A24F 47/00	2004/0221857 A1 †	11/2004	Dominguez	A24F 13/04 131/27
D802,206 S †	11/2017	Huang	D27/10	2004/0226569 A1 †	11/2004	Yang	A24D 3/0225 131/20
D802,838 S †	11/2017	Clark	D27/18	2004/0237974 A1 †	12/2004	Min	A24D 3/045 131/18
D804,090 S †	11/2017	Verleur	D27/10	2005/0016533 A1 †	1/2005	Schuler	A61M 15/0093 128/20
9,809,567 B2 †	11/2017	Willis	C07D 401/04	2005/0016549 A1 †	1/2005	Banerjee	A24B 15/16 131/19
9,814,263 B2 †	11/2017	Cochand	A61M 15/008	2005/0016550 A1 †	1/2005	Katase	A24F 47/008 131/19
9,814,272 B2 †	11/2017	Li	A24F 47/008	2005/0022806 A1 †	2/2005	Beaumont	A61M 15/009 128/20
9,820,508 B2 †	11/2017	Arnel	A24F 47/008	2005/0029137 A1 †	2/2005	Wang	H05K 5/0278 206/32
D804,306 S †	12/2017	Simons	D9/454	2005/0034723 A1 †	2/2005	Bennett	A61M 11/042 128/20
D805,900 S †	12/2017	Kapolas	D9/453	2005/0051453 A1 †	3/2005	Schuler	B65B 51/16 206/52
D806,311 S †	12/2017	Smith	D27/16	2005/0056280 A1 †	3/2005	Alston	A61M 15/0031 128/20
D808,073 S †	1/2018	Leidel	D27/16	2005/0061759 A1 †	3/2005	Doucette	B65D 75/367 211/85
D811,003 S †	2/2018	Folyan	D27/10	2005/0069831 A1 †	3/2005	St. Charles	F23D 14/105 431/35
9,889,983 B2 †	2/2018	Buse	B65D 85/1036	2005/0081601 A1 †	4/2005	Lawson	G01N 33/497 73/23
D812,289 S †	3/2018	Ward	D27/172	2005/0090798 A1 †	4/2005	Clark	A61M 15/00 604/50
9,930,915 B2 †	4/2018	Worm	A24F 40/40	2005/0118545 A1 †	6/2005	Wong	F23Q 2/40 431/14
D842,536 S *	3/2019	Bowen	D27/167	2005/0134215 A1 †	6/2005	Bozzone	H02J 7/0044 320/11
D842,803 S *	3/2019	Nishizawa	D13/108	2005/0145533 A1 †	7/2005	Seligson	B65D 77/0446 206/57
D844,235 S †	3/2019	Cividi	D27/167	2005/0161467 A1 †	7/2005	Jones	A61M 15/009 222/23
D844,240 S †	3/2019	Kauss	D27/194	2005/0172976 A1 †	8/2005	Newman	A24B 15/283 131/19
D849,996 S *	5/2019	Duque	D27/194	2005/0229918 A1 †	10/2005	Shim	F24C 3/128 126/39
D858,868 S *	9/2019	Bowen	D27/162	2005/0236006 A1 †	10/2005	Cowan	A24F 47/004 131/27
D858,869 S *	9/2019	Bowen	D27/162	2005/0244521 A1 †	11/2005	Strickland	A23L 27/79 424/75
D870,368 S *	12/2019	Leon Duque	D27/162	2005/0268908 A1 †	12/2005	Bonney	A61M 15/0083 128/20
D870,373 S *	12/2019	Greenbaum	D27/169	2005/0268911 A1 †	12/2005	Cross	A61M 11/002 128/20
D887,632 S *	6/2020	Duque	D27/167				
D893,094 S *	8/2020	Wang	D27/162				
D893,096 S *	8/2020	Leon Duque	D27/194				
D900,386 S *	10/2020	Wang	D27/162				
D902,480 S *	11/2020	Chen	D27/194				
D912,309 S *	3/2021	Bowen	D27/162				
2001/0015209 A1 †	8/2001	Zielke	A24C 5/185 131/28				
2001/0032643 A1 †	10/2001	Hochrainer	A61P 37/08 128/20				
2001/0032795 A1 †	10/2001	Weinstein	B65D 25/10 206/32				
2001/0052480 A1 †	12/2001	Kawaguchi	B65D 5/543 206/73				
2002/0029779 A1 †	3/2002	Schmidt	A61M 15/0018 128/20				
2002/0043554 A1 †	4/2002	White	B65D 5/5445 229/23				
2002/0078951 A1 †	6/2002	Nichols	A61M 15/0045 128/20				
2002/0088469 A1 †	7/2002	Rennecamp	A24F 1/00 131/33				
2002/0142291 A1 †	10/2002	Bauer	G01N 33/946 435/5				
2002/0175164 A1 †	11/2002	Dees	B65D 11/188 220/4				
2003/0004426 A1 †	1/2003	Melker	G01N 29/022 600/53				
2003/0005926 A1 †	1/2003	Jones	A61M 15/0065 128/20				
2003/0089377 A1 †	5/2003	Hajaligol	A24D 1/02 131/36				
2003/0132219 A1 †	7/2003	Cox	A61M 11/041 219/48				
2003/0149372 A1 †	8/2003	Smith	A61N 5/083 600/53				

(56)

References Cited

U.S. PATENT DOCUMENTS

2006/0016453	A1 †	1/2006	Kim	A24F 47/008	131/19	2008/0023003	A1 †	1/2008	Rosenthal	A61M 11/041	128/20
2006/0018840	A1 †	1/2006	Lechuga-Ballesteros	A01N 43/40	424/45	2008/0029095	A1 †	2/2008	Esser	A61M 15/06	128/20
2006/0054676	A1 †	3/2006	Wischusen, III	B65D 5/5445	229/23	2008/0065176	A1 †	3/2008	Zhang	A61N 5/0616	607/88
2006/0102175	A1 †	5/2006	Nelson	A61M 11/042	128/20	2008/0092912	A1 †	4/2008	Robinson	A24B 3/14	131/20
2006/0150991	A1 †	7/2006	Lee	A24D 1/02	131/33	2008/0138423	A1 †	6/2008	Gonda	A61K 31/4439	424/48
2006/0185687	A1 †	8/2006	Hearn	A24F 47/008	131/36	2008/0149118	A1 †	6/2008	Oglesby	A24F 47/006	131/19
2006/0191546	A1 †	8/2006	Takano	A24F 47/002	131/27	2008/0207276	A1 †	8/2008	Burrell	B60R 11/0241	455/57
2006/0191548	A1 †	8/2006	Strickland	A24B 3/14	131/34	2008/0214103	A1 †	9/2008	Nelson	H04M 1/72522	455/3
2006/0191594	A1 †	8/2006	Py	B29C 65/18	141/32	2008/0216828	A1 †	9/2008	Wensley	A61M 11/041	128/20
2006/0196518	A1 †	9/2006	Hon	H05B 1/0202	131/36	2008/0241255	A1 †	10/2008	Rose	A24F 47/004	424/48
2006/0254948	A1 †	11/2006	Herbert	A47J 47/02	206/51	2008/0257367	A1 †	10/2008	Paterno	A61M 15/0021	131/32
2006/0255105	A1 †	11/2006	Sweet	B65D 5/5445	229/10	2008/0276947	A1 †	11/2008	Martzel	A24F 47/004	131/27
2007/0006889	A1 †	1/2007	Kobal	G06T 19/20	131/32	2008/0286340	A1 †	11/2008	Andersson	A61P 25/28	424/44
2007/0045288	A1 †	3/2007	Nelson	A24F 47/008	219/53	2008/0302375	A1 †	12/2008	Andersson	A24F 47/002	131/27
2007/0045320	A1 †	3/2007	Biesecker	B65D 50/041	220/34	2009/0004249	A1 †	1/2009	Gonda	A61M 16/10	424/44
2007/0062548	A1 †	3/2007	Horstmann	A61M 15/0003	131/27	2009/0071469	A1 †	3/2009	Abrams	A61M 15/0028	128/20
2007/0074734	A1 †	4/2007	Braunshteyn	A24F 13/00	131/32	2009/0095287	A1 †	4/2009	Emarlou	A61M 11/041	128/20
2007/0089757	A1 †	4/2007	Bryman	A24F 3/00	131/33	2009/0095311	A1 †	4/2009	Han	H05B 1/0297	131/19
2007/0098148	A1 †	5/2007	Sherman	H04M 1/21	379/45	2009/0111287	A1 †	4/2009	Lindberg	H01R 13/7037	439/39
2007/0102013	A1 †	5/2007	Adams	A24F 47/008	131/27	2009/0126745	A1 †	5/2009	Hon	H05B 3/06	131/27
2007/0125765	A1 †	6/2007	Nelson	A24F 47/008	219/53	2009/0133691	A1 †	5/2009	Yamada	A61M 15/00	128/20
2007/0144514	A1 †	6/2007	Yeates	A61M 15/0086	128/20	2009/0133703	A1 †	5/2009	Strickland	A24B 15/16	131/11
2007/0163610	A1 †	7/2007	Lindell	A61K 9/0002	131/27	2009/0133704	A1 †	5/2009	Strickland	A61K 36/81	131/11
2007/0169773	A1 †	7/2007	Rock	A61M 11/002	128/20	2009/0141196	A1 †	6/2009	Basner	H04N 9/3173	348/78
2007/0191756	A1 †	8/2007	Tapper	A61N 1/0436	604/20	2009/0151717	A1 †	6/2009	Bowen	A61M 11/048	128/20
2007/0215164	A1 †	9/2007	Mehio	A24F 1/30	131/17	2009/0188490	A1 †	7/2009	Han	A61M 15/06	128/20
2007/0215168	A1 †	9/2007	Banerjee	A24B 15/165	131/33	2009/0192443	A1 †	7/2009	Collins, Jr.	A61M 11/042	604/24
2007/0229025	A1 †	10/2007	Tsai	H01R 13/2442	320/11	2009/0230117	A1 †	9/2009	Fernando	H02J 7/0024	219/49
2007/0235046	A1 †	10/2007	Gedevanishvili	A24D 3/046	131/20	2009/0239581	A1 †	9/2009	Lee	G06F 1/3203	455/55
2007/0267033	A1 †	11/2007	Mishra	A24F 47/008	131/27	2009/0255534	A1 †	10/2009	Paterno	A61M 15/0028	128/20
2007/0277816	A1 †	12/2007	Morrison	A61M 15/0085	128/20	2009/0260641	A1 †	10/2009	Monsees	A61M 15/0028	131/19
2007/0280652	A1 †	12/2007	Williams	A24F 1/30	392/38	2009/0260642	A1 †	10/2009	Monsees	A61M 11/048	131/19
2007/0283972	A1 †	12/2007	Monsees	A24F 47/008	131/27	2009/0267252	A1 †	10/2009	Ikeyama	B29C 45/14336	264/40
2007/0295347	A1 †	12/2007	Paine, III	A24D 3/163	131/34	2009/0272379	A1 †	11/2009	Thorens	H05B 3/00	128/20
2008/0000763	A1 †	1/2008	Cove	H01H 13/023	200/31	2009/0283103	A1 †	11/2009	Nielsen	H02J 7/0044	131/17
							2009/0288668	A1 †	11/2009	Inagaki	A24F 47/008	131/17
							2009/0288669	A1 †	11/2009	Hutchens	A24D 3/08	131/27
							2009/0293892	A1 †	12/2009	Williams	A24F 47/008	131/32

(56)

References Cited

U.S. PATENT DOCUMENTS

2009/0293895	A1 †	12/2009	Axelsson	A61K	9/009	131/35
2009/0302019	A1 †	12/2009	Selenski	A61M	11/042	219/20
2009/0308387	A1 †	12/2009	Andersen	A61M	15/0065	128/20
2009/0314299	A1 †	12/2009	Kilpatrick	B65D	85/1081	131/18
2010/0000672	A1 †	1/2010	Fogle	B65D	5/566	156/25
2010/0006092	A1 †	1/2010	Hale	A61M	15/0031	128/20
2010/0024834	A1 †	2/2010	Oglesby	A61M	11/041	131/19
2010/0031968	A1 †	2/2010	Sheikh	A24F	47/008	131/34
2010/0059073	A1 †	3/2010	Hoffmann	A24F	47/002	131/27
2010/0156193	A1 †	6/2010	Rhodes	H01F	27/42	307/10
2010/0163063	A1 †	7/2010	Fernando	A24F	40/51	131/18
2010/0163065	A1 †	7/2010	Chang	A24F	7/02	131/33
2010/0186757	A1 †	7/2010	Crooks	A24F	47/006	131/58
2010/0200006	A1 †	8/2010	Robinson	A24F	40/40	131/19
2010/0200008	A1 †	8/2010	Taieb	A24F	47/008	131/36
2010/0236562	A1 †	9/2010	Hearn	A61P	11/00	131/33
2010/0242956	A1 †	9/2010	Yamada	A61M	11/042	128/20
2010/0242974	A1 †	9/2010	Pan	A61M	15/06	131/27
2010/0242976	A1 †	9/2010	Katayama	A24B	15/16	131/27
2010/0275938	A1 †	11/2010	Roth	A24F	47/002	131/27
2010/0276333	A1 †	11/2010	Couture	B65D	25/54	206/77
2010/0307116	A1 †	12/2010	Fisher	B65D	77/20	53/492
2010/0307518	A1 †	12/2010	Wang	A24F	47/008	131/32
2010/0313901	A1 †	12/2010	Fernando	H02J	7/0027	131/33
2011/0005535	A1 †	1/2011	Xiu	A24F	47/008	131/27
2011/0011396	A1 †	1/2011	Fang	A24F	47/002	128/20
2011/0017741	A1 †	1/2011	Sprishen	B65D	41/045	220/28
2011/0030706	A1 †	2/2011	Gibson	A61M	11/042	131/32
2011/0036346	A1 †	2/2011	Cohen	A24F	47/008	128/20
2011/0036363	A1 †	2/2011	Urtsev	A24F	47/002	131/27
2011/0041861	A1 †	2/2011	Sebastian	A24F	47/006	131/36
2011/0049226	A1 †	3/2011	Moreau	B65D	5/5445	229/11
2011/0083684	A1 †	4/2011	Luan	A23L	5/273	131/29
2011/0094523	A1 †	4/2011	Thorens	H05B	1/0202	131/19
2011/0097060	A1 †	4/2011	Michael Buzzetti	A61N	11/044	392/39
2011/0105096	A1 †	5/2011	Dods	H04W	52/0251	455/41
2011/0108023	A1 †	5/2011	McKinney	A61G	10/02	128/20
2011/0120482	A1 †	5/2011	Brenneise	A61M	15/0021	131/32
2011/0126831	A1 †	6/2011	Fernandez Pernia	A61M	11/065	128/20
2011/0155151	A1 †	6/2011	Newman	A24B	15/283	131/27
2011/0155153	A1 †	6/2011	Thorens	H05B	3/58	131/32
2011/0162667	A1 †	7/2011	Burke	A24D	3/08	131/33
2011/0168194	A1 †	7/2011	Hon	A24F	47/002	131/27
2011/0180433	A1 †	7/2011	Rennecamp	A24F	9/16	206/26
2011/0192397	A1 †	8/2011	Saskar	A61M	15/0036	128/20
2011/0226236	A1 †	9/2011	Buchberger	A61M	15/0086	128/20
2011/0226266	A1 †	9/2011	Tao	A24F	3/00	131/18
2011/0232654	A1 †	9/2011	Mass	A61M	15/06	131/27
2011/0232655	A1 †	9/2011	Chan	A24C	5/00	131/27
2011/0236002	A1 †	9/2011	Oglesby	A61M	11/048	392/38
2011/0240047	A1 †	10/2011	Adamic	A24F	3/00	131/32
2011/0263947	A1 †	10/2011	Utley	A61B	5/4845	600/30
2011/0265788	A1 †	11/2011	Wu	A61M	15/009	128/20
2011/0265806	A1 †	11/2011	Alarcon	A24F	47/00	131/27
2011/0268809	A1 †	11/2011	Brinkley	A61K	9/0056	424/49
2011/0277780	A1 †	11/2011	Terry	A61M	11/042	131/27
2011/0278189	A1 †	11/2011	Terry	A61M	11/042	206/45
2011/0284520	A1 †	11/2011	Fong	H05B	1/0272	219/49
2011/0290248	A1 †	12/2011	Schennum	B65D	83/262	128/20
2011/0290269	A1 †	12/2011	Shimizu	A61M	15/0023	131/33
2011/0293535	A1 †	12/2011	Kosik	A61K	36/45	424/45
2011/0308515	A1 †	12/2011	Snyder	A61M	15/008	128/20
2011/0308521	A1 †	12/2011	Kofford	A61M	11/044	128/20
2011/0315152	A1 †	12/2011	Hearn	A61M	15/0093	131/27
2011/0315701	A1 †	12/2011	Everson	B65D	43/162	220/78
2012/0006342	A1 †	1/2012	Rose	A24F	47/006	131/27
2012/0060853	A1 †	3/2012	Robinson	A24B	15/167	131/19
2012/0077849	A1 †	3/2012	Howson	A61P	11/00	514/34
2012/0086391	A1 †	4/2012	Smith	H02J	7/0044	320/10
2012/0111346	A1 †	5/2012	Rinker	A61M	15/06	131/32
2012/0111347	A1 †	5/2012	Hon	H05B	3/06	131/32
2012/0118301	A1 †	5/2012	Montaser	A61M	11/005	131/27

(56)

References Cited

U.S. PATENT DOCUMENTS

2012/0118307	A1 †	5/2012	Tu	A61M 15/06	131/33	2013/0042865	A1 †	2/2013	Monsees	G05D 23/1917
2012/0125353	A1 †	5/2012	Wollin	A24F 47/00	131/27	2013/0047984	A1 †	2/2013	Dahne	A61M 15/06
2012/0138052	A1 †	6/2012	Hearn	A24F 40/485	128/20	2013/0056012	A1 †	3/2013	Hearn	A61M 15/06
2012/0174914	A1 †	7/2012	Pirshafiey	A61M 11/041	128/20	2013/0056013	A1 †	3/2013	Terry	A61M 11/041
2012/0188687	A1 †	7/2012	Yamamoto	H02J 7/0044	361/67	2013/0068239	A1 †	3/2013	Youn	A24F 47/008
2012/0199146	A1 †	8/2012	Marangos	A24F 47/008	131/32	2013/0074857	A1 †	3/2013	Buchberger	A61M 15/06
2012/0199572	A1 †	8/2012	Shen	A61M 11/041	219/43	2013/0081642	A1 †	4/2013	Safari	A24F 47/008
2012/0199663	A1 †	8/2012	Qiu	A61M 15/0081	239/8	2013/0087160	A1 †	4/2013	Gherghe	A24F 1/00
2012/0204889	A1 †	8/2012	Xiu	A24F 47/008	131/27	2013/0099025	A1 †	4/2013	McDonnell	B05B 17/0607
2012/0211015	A1 †	8/2012	Li	A24B 15/32	131/27	2013/0133675	A1 †	5/2013	Shinozaki	A24F 47/008
2012/0227753	A1 †	9/2012	Newton	A24F 47/008	131/34	2013/0140200	A1 †	6/2013	Scatterday	A24F 15/00
2012/0234315	A1 †	9/2012	Li	A61M 15/06	128/20	2013/0146489	A1 †	6/2013	Scatterday	A24F 15/20
2012/0234821	A1 †	9/2012	Shimizu	A24F 13/00	219/22	2013/0152922	A1 †	6/2013	Benassayag	A61M 11/042
2012/0247494	A1 †	10/2012	Oglesby	A24F 47/006	131/32	2013/0152954	A1 †	6/2013	Youn	A24F 47/008
2012/0255567	A1 †	10/2012	Rose	A24F 47/00	131/27	2013/0167854	A1 †	7/2013	Shin	A24F 47/008
2012/0260926	A1 †	10/2012	Tu	A24F 47/008	131/32	2013/0168880	A1 †	7/2013	Duke	A24F 47/008
2012/0260927	A1 †	10/2012	Liu	A24F 47/008	131/32	2013/0174842	A1 †	7/2013	Young	A61L 9/032
2012/0261286	A1 †	10/2012	Holloway	B65D 85/1054	206/26	2013/0182421	A1 †	7/2013	Popper	H01M 10/0436
2012/0267383	A1 †	10/2012	Van Rooyen	A45C 13/08	220/69	2013/0186416	A1 †	7/2013	Gao	A24B 13/00
2012/0279512	A1 †	11/2012	Hon	H05B 3/0014	131/32	2013/0192615	A1 †	8/2013	Tucker	H05B 1/0244
2012/0285475	A1 †	11/2012	Liu	A24F 47/008	131/32	2013/0192618	A1 †	8/2013	Li	A24F 47/008
2012/0291791	A1 †	11/2012	Pradeep	A24F 47/008	131/27	2013/0192619	A1 †	8/2013	Tucker	A24F 47/004
2012/0298676	A1 †	11/2012	Cooks	B65D 51/28	220/59	2013/0199528	A1 †	8/2013	Goodman	A24F 47/008
2012/0312313	A1 †	12/2012	Frija	A24F 47/002	131/32	2013/0213417	A1 †	8/2013	Chong	A24F 47/004
2012/0318882	A1 †	12/2012	Abehasera	A61M 11/041	239/1	2013/0213418	A1 †	8/2013	Tucker	A24F 47/008
2012/0325227	A1 †	12/2012	Robinson	A24F 47/008	131/32	2013/0213419	A1 †	8/2013	Tucker	H05B 3/141
2012/0325228	A1 †	12/2012	Williams	A24B 15/167	131/32	2013/0220315	A1 †	8/2013	Conley	H05B 1/0244
2013/0001185	A1 †	1/2013	Antier	B65D 41/3442	215/25	2013/0220847	A1 †	8/2013	Fisher	B65D 25/005
2013/0008457	A1 †	1/2013	Zheng	A24B 15/303	131/29	2013/0228190	A1 †	9/2013	Weiss	A24F 13/14
2013/0014755	A1 †	1/2013	Kumar	A24F 47/006	128/20	2013/0228191	A1 †	9/2013	Newton	A24F 47/008
2013/0014772	A1 †	1/2013	Liu	A24F 47/008	131/32	2013/0233086	A1 †	9/2013	Besling	G01L 9/0045
2013/0019887	A1 †	1/2013	Liu	A24F 47/008	131/32	2013/0247924	A1 †	9/2013	Scatterday	A61M 15/06
2013/0023850	A1 †	1/2013	Imran	A61K 9/0014	604/50	2013/0248385	A1 †	9/2013	Scatterday	A24F 15/14
2013/0025609	A1 †	1/2013	Liu	A61M 11/042	131/32	2013/0255702	A1 †	10/2013	Griffith, Jr.	A24F 47/008
2013/0037041	A1 †	2/2013	Worm	A24F 40/40	131/32	2013/0263869	A1 †	10/2013	Zhu	A24F 40/40
2013/0042864	A1 †	2/2013	Adler	A61M 15/0008	128/20	2013/0276802	A1 †	10/2013	Scatterday	A61M 15/06
							2013/0284190	A1 †	10/2013	Scatterday	A61M 11/042
							2013/0284191	A1 †	10/2013	Scatterday	A61M 11/042

(56)

References Cited

U.S. PATENT DOCUMENTS

2014/0190496	A1 †	7/2014	Wensley	A61M 15/0065 131/27	2014/0259026	A1 †	9/2014	Xiang	G06F 9/4881 718/10
2014/0190501	A1 †	7/2014	Liu	A24F 47/008 131/32	2014/0261408	A1 †	9/2014	DePiano	H05B 3/04 128/20
2014/0190502	A1 †	7/2014	Liu	A24F 47/008 131/32	2014/0261474	A1 †	9/2014	Gonda	A61M 15/06 131/27
2014/0190503	A1 †	7/2014	Li	A61M 15/06 131/32	2014/0261479	A1 †	9/2014	Xu	A24B 15/16 131/29
2014/0196716	A1 †	7/2014	Liu	A24F 47/008 128/20	2014/0261483	A1 †	9/2014	Hopps	A24F 47/002 131/29
2014/0196718	A1 †	7/2014	Li	A24F 47/008 128/20	2014/0261486	A1 †	9/2014	Potter	A24F 40/40 131/32
2014/0196731	A1 †	7/2014	Scatterday	A45C 13/007 131/32	2014/0261487	A1 †	9/2014	Chapman	A24F 40/10 131/32
2014/0196733	A1 †	7/2014	Liu	A24F 47/008 131/32	2014/0261488	A1 †	9/2014	Tucker	A61M 11/042 131/32
2014/0196734	A1 †	7/2014	Liu	A24F 47/008 131/32	2014/0261489	A1 †	9/2014	Cadieux	A24F 47/008 131/32
2014/0196735	A1 †	7/2014	Liu	A24F 47/008 131/32	2014/0261490	A1 †	9/2014	Kane	A24F 40/42 131/32
2014/0202454	A1 †	7/2014	Buchberger	A61M 15/0021 128/20	2014/0261491	A1 †	9/2014	Hawes	B23P 11/00 131/32
2014/0202474	A1 †	7/2014	Peleg	A24F 47/008 131/32	2014/0261492	A1 †	9/2014	Kane	A24F 47/008 131/32
2014/0202475	A1 †	7/2014	Liu	A24F 47/008 131/32	2014/0261493	A1 †	9/2014	Smith	A24F 47/008 131/32
2014/0202477	A1 †	7/2014	Qi	H04W 4/60 131/32	2014/0261494	A1 †	9/2014	Scatterday	A24F 47/008 131/32
2014/0209096	A1 †	7/2014	Cheyene	A61M 15/08 128/20	2014/0261495	A1 †	9/2014	Novak, III	H05B 3/46 131/32
2014/0209106	A1 †	7/2014	Liu	A24F 47/008 131/32	2014/0261497	A1 †	9/2014	Liu	F16L 55/115 131/32
2014/0209107	A1 †	7/2014	Liu	A24F 47/008 131/32	2014/0261498	A1 †	9/2014	Liu	A24F 47/008 131/32
2014/0209108	A1 †	7/2014	Li	A24F 47/008 131/32	2014/0261500	A1 †	9/2014	Park	A61M 15/06 131/32
2014/0209109	A1 †	7/2014	Larson	A61K 31/05 131/32	2014/0270727	A1 †	9/2014	Ampolini et al.	F24H 9/0005 392/38
2014/0216450	A1 †	8/2014	Liu	A24F 47/008 128/20	2014/0270729	A1 †	9/2014	DePiano	A24F 47/008 392/39
2014/0216483	A1 †	8/2014	Alima	A24F 47/008 131/32	2014/0270730	A1 †	9/2014	DePiano	H05B 3/03 392/40
2014/0216484	A1 †	8/2014	Liu	A24F 47/008 131/32	2014/0271946	A1 †	9/2014	Kobal	A61K 31/20 424/73
2014/0224244	A1 †	8/2014	Liu	H05B 3/06 128/20	2014/0274940	A1 †	9/2014	Mishra	A24B 15/403 514/54
2014/0224267	A1 †	8/2014	Levitz	H02J 50/40 131/32	2014/0276536	A1 †	9/2014	Estes	A61M 5/14244 604/50
2014/0230835	A1 †	8/2014	Saliman	A24F 47/008 131/32	2014/0278250	A1 †	9/2014	Smith	G01N 19/00 702/18
2014/0238421	A1 †	8/2014	Shapiro	A24F 47/008 131/32	2014/0278258	A1 †	9/2014	Shafer	G01N 21/17 702/18
2014/0238422	A1 †	8/2014	Plunkett	A24F 40/44 131/32	2014/0283823	A1 †	9/2014	Liu	A24F 47/008 128/20
2014/0238423	A1 †	8/2014	Tucker	A24F 47/008 131/32	2014/0283855	A1 †	9/2014	Hawes	A24F 47/008 131/32
2014/0238424	A1 †	8/2014	Macko	A24F 47/008 131/32	2014/0283856	A1 †	9/2014	Xiang	A24F 47/008 131/32
2014/0246031	A1 †	9/2014	Liu	A24F 47/008 131/26	2014/0283857	A1 †	9/2014	Liu	A24F 47/008 131/32
2014/0246033	A1 †	9/2014	Daehne	A61M 16/107 131/32	2014/0283858	A1 †	9/2014	Liu	A24F 47/008 131/32
2014/0251324	A1 †	9/2014	Xiang	A24F 47/008 128/20	2014/0290673	A1 †	10/2014	Liu	F21V 21/00 131/32
2014/0251325	A1 †	9/2014	Liu	A24F 47/008 128/20	2014/0290676	A1 †	10/2014	Liu	A24F 47/008 131/32
2014/0251356	A1 †	9/2014	Xiang	A24F 47/008 131/32	2014/0290677	A1 †	10/2014	Liu	A24F 47/008 131/32
2014/0253144	A1 †	9/2014	Novak, III	G01R 31/327 324/55	2014/0299137	A1 †	10/2014	Kieckbusch	A24F 47/008 131/32
2014/0254055	A1 †	9/2014	Xiang	H02H 7/20 361/86	2014/0299138	A1 †	10/2014	Xiang	G06Q 10/00 131/32
					2014/0299139	A1 †	10/2014	Liu	A24F 47/008 131/32
					2014/0299140	A1 †	10/2014	Liu	A61M 15/06 131/32

(56)

References Cited

U.S. PATENT DOCUMENTS

2015/0027457	A1 †	1/2015	Janardhan	A24F 47/008 131/32	2015/0053217	A1 †	2/2015	Steingraber	A24F 47/008 131/32
2015/0027460	A1 †	1/2015	Liu	A24F 47/008 131/32	2015/0053220	A1 †	2/2015	Levy	A24F 47/008 131/32
2015/0027461	A1 †	1/2015	Liu	A24F 47/008 131/32	2015/0057341	A1 †	2/2015	Perry	A61K 36/28 514/45
2015/0027462	A1 †	1/2015	Liu	A24F 47/008 131/32	2015/0059779	A1 †	3/2015	Alarcon	A24F 47/008 131/27
2015/0027463	A1 †	1/2015	Liu	A24F 47/008 131/32	2015/0059780	A1 †	3/2015	Davis	A24F 40/46 131/32
2015/0027464	A1 †	1/2015	Liu	A24F 47/008	2015/0059782	A1 †	3/2015	Liu	A24F 47/008 131/32
2015/0027465	A1 †	1/2015	Liu	A24F 47/008 131/32	2015/0059783	A1 †	3/2015	Liu	A24F 47/008 131/32
2015/0027466	A1 †	1/2015	Xiang	H02J 7/342 131/32	2015/0059784	A1 †	3/2015	Liu	A24F 47/008 131/32
2015/0027467	A1 †	1/2015	Liu	A24F 47/008 131/32	2015/0059785	A1 †	3/2015	Liu	A24F 47/008 131/32
2015/0027468	A1 †	1/2015	Li	A24D 3/185 131/32	2015/0068523	A1 †	3/2015	Powers	A61M 11/042 128/20
2015/0027469	A1 †	1/2015	Tucker	A24D 3/10 131/32	2015/0068543	A1 †	3/2015	Liu	H01M 2/1022 131/32
2015/0027470	A1 †	1/2015	Kane	A24F 47/008 131/32	2015/0068545	A1 †	3/2015	Moldoveanu	A24B 13/00 131/35
2015/0027471	A1 †	1/2015	Feldman	A24F 40/70 131/32	2015/0075545	A1 †	3/2015	Xiang	A24F 47/008 131/32
2015/0027472	A1 †	1/2015	Amir	A24F 47/008 131/32	2015/0075546	A1 †	3/2015	Kueny, Sr.	A24F 47/008 131/32
2015/0027473	A1 †	1/2015	Graf	A24F 47/008 131/32	2015/0078735	A1 †	3/2015	Cormack	H05K 1/189 392/39
2015/0034102	A1 †	2/2015	Faramarzian	A24F 47/008 131/32	2015/0080265	A1 †	3/2015	Elzinga	A23L 27/2026 506/15
2015/0034103	A1 †	2/2015	Hon	A24F 47/00 131/32	2015/0082859	A1 †	3/2015	Xiang	G01F 1/00 73/1.3
2015/0034104	A1 †	2/2015	Zhou	A61M 15/02 131/32	2015/0083144	A1 †	3/2015	Xiang	A24F 47/008 131/32
2015/0034105	A1 †	2/2015	Liu	A61M 15/06 131/32	2015/0083145	A1 †	3/2015	Li	A24F 47/008 131/32
2015/0034106	A1 †	2/2015	Liu	H01M 2/20 131/32	2015/0083146	A1 †	3/2015	Goldman	A61K 31/352 131/32
2015/0034107	A1 †	2/2015	Liu	A24F 47/008 131/32	2015/0083147	A1 †	3/2015	Schiff	A24F 40/44 131/32
2015/0034507	A1 †	2/2015	Liu	B65D 85/10 206/25	2015/0090256	A1 †	4/2015	Chung	A61M 11/042 128/20
2015/0035540	A1 †	2/2015	Xiang	A24F 47/008 324/42	2015/0090277	A1 †	4/2015	Xiang	A24F 47/008 131/32
2015/0038567	A1 †	2/2015	Herkenroth	C07C 51/42 514/45	2015/0090278	A1 †	4/2015	Schiff	A24F 47/008 131/32
2015/0040927	A1 †	2/2015	Li	A24F 47/008 131/32	2015/0090279	A1 †	4/2015	Chen	A24F 47/008 131/32
2015/0040928	A1 †	2/2015	Saydar	B02C 19/0056 131/32	2015/0090280	A1 †	4/2015	Chen	A61M 15/06 131/32
2015/0040929	A1 †	2/2015	Hon	A24F 47/008 131/32	2015/0090281	A1 †	4/2015	Chen	A24F 47/008 131/32
2015/0041482	A1 †	2/2015	Liu	B65D 85/20 220/84	2015/0100441	A1 †	4/2015	Alarcon	G07F 9/023 705/16
2015/0047658	A1 †	2/2015	Cyphert	A24F 47/008 131/32	2015/0101606	A1 †	4/2015	White	A61M 11/042 128/20
2015/0047659	A1 †	2/2015	Liu	A24F 47/008 131/32	2015/0101622	A1 †	4/2015	Liu	H05B 3/40 131/32
2015/0047660	A1 †	2/2015	Liu	A24F 47/008 131/32	2015/0101623	A1 †	4/2015	Liu	A24F 47/008 131/32
2015/0047661	A1 †	2/2015	Blackley	H05B 3/12 131/32	2015/0101625	A1 †	4/2015	Newton	A24F 47/008 131/32
2015/0047662	A1 †	2/2015	Hopps	A24F 47/008 131/32	2015/0101626	A1 †	4/2015	Li	A24F 47/008 131/32
2015/0047663	A1 †	2/2015	Liu	H01M 2/30 131/32	2015/0101945	A1 †	4/2015	Scatterday	A24F 13/14 206/26
2015/0053215	A1 †	2/2015	Liu	A24F 47/008 131/32	2015/0102777	A1 †	4/2015	Cooper	H02J 7/0045 320/11
2015/0053216	A1 †	2/2015	Liu	F22B 1/18 131/32	2015/0105455	A1 †	4/2015	Bjorncrantz	A61K 31/05 514/45
					2015/0107609	A1 †	4/2015	Liu	A24F 47/008 131/32
					2015/0107610	A1 †	4/2015	Metrangolo	A24D 1/002 131/32

(56)	References Cited						
	U.S. PATENT DOCUMENTS						
2015/0107611	A1 ‡	4/2015 Metrangolo	A24B 13/00	2015/0157053	A1 ‡	6/2015 Mayor	A24F 47/008 131/32
2015/0107612	A1 ‡	4/2015 Liu	A24F 15/12 131/32	2015/0157054	A1 ‡	6/2015 Liu	A24F 47/008 131/32
2015/0108019	A1 ‡	4/2015 Liu	A24F 15/12 206/26	2015/0157055	A1 ‡	6/2015 Lord	H05B 3/16 131/32
2015/0114407	A1 ‡	4/2015 Duncan	A24F 47/002 131/32	2015/0157056	A1 ‡	6/2015 Bowen	A61M 11/047 131/32
2015/0114410	A1 ‡	4/2015 Doster	A24F 47/008 131/32	2015/0163859	A1 ‡	6/2015 Schneider	H05B 3/0014 131/32
2015/0114504	A1 ‡	4/2015 Cecka	F16K 1/18 137/85	2015/0164138	A1 ‡	6/2015 Liu	H01M 2/204 206/26
2015/0117842	A1 ‡	4/2015 Brammer	A24F 40/48 392/38	2015/0164141	A1 ‡	6/2015 Newton	H01M 2/1055 131/32
2015/0122252	A1 ‡	5/2015 Frija	A61M 15/0081 128/20	2015/0164142	A1 ‡	6/2015 Li	A24F 47/008 131/32
2015/0122274	A1 ‡	5/2015 Cohen	G01K 13/00 131/32	2015/0164143	A1 ‡	6/2015 Maas	A24F 47/008 131/32
2015/0122278	A1 ‡	5/2015 Hardgrove	A24F 47/008 131/32	2015/0164144	A1 ‡	6/2015 Liu	G06F 21/32 131/32
2015/0128965	A1 ‡	5/2015 Lord	A61M 1/34 131/32	2015/0164145	A1 ‡	6/2015 Zhou	A24F 47/008 705/14
2015/0128966	A1 ‡	5/2015 Lord	A24F 47/002 131/32	2015/0164146	A1 ‡	6/2015 Li	A24F 47/008 131/32
2015/0128967	A1 ‡	5/2015 Robinson	A24F 47/008 131/32	2015/0164147	A1 ‡	6/2015 Verleur	A24F 47/008 131/32
2015/0128969	A1 ‡	5/2015 Chapman	A24F 47/008 131/32	2015/0167976	A1 ‡	6/2015 Recio	F23Q 2/32 219/20
2015/0128970	A1 ‡	5/2015 Liu	A24F 47/008 131/32	2015/0173124	A1 ‡	6/2015 Qiu	A24F 47/008 131/32
2015/0128971	A1 ‡	5/2015 Verleur	H02J 7/00 131/32	2015/0173417	A1 ‡	6/2015 Gennrich	A24F 47/008 131/32
2015/0128972	A1 ‡	5/2015 Verleur	A24F 47/008 131/32	2015/0173419	A1 ‡	6/2015 Tu	A24F 47/008 131/32
2015/0128973	A1 ‡	5/2015 Li	B65D 39/0052 131/32	2015/0173421	A1 ‡	6/2015 Hsieh	A24F 47/008 131/32
2015/0128976	A1 ‡	5/2015 Verleur	A61M 15/06 131/32	2015/0173422	A1 ‡	6/2015 Liu	A24F 47/008 131/32
2015/0128977	A1 ‡	5/2015 Li	A24F 47/008 131/32	2015/0181928	A1 ‡	7/2015 Liu	A24F 7/00 131/32
2015/0136153	A1 ‡	5/2015 Lord	A24F 40/90 131/32	2015/0181937	A1 ‡	7/2015 Dubief	A61M 15/06 131/32
2015/0136154	A1 ‡	5/2015 Mitrev	A24F 47/008 131/32	2015/0181939	A1 ‡	7/2015 Liu	A24F 47/008 131/32
2015/0136155	A1 ‡	5/2015 Verleur	A61M 11/042 131/32	2015/0181940	A1 ‡	7/2015 Liu	A24F 47/008 131/32
2015/0136156	A1 ‡	5/2015 Liu	H05B 1/0297 131/32	2015/0181941	A1 ‡	7/2015 Liu	A24F 47/008 131/32
2015/0136157	A1 ‡	5/2015 Liu	A61M 15/06 131/32	2015/0181943	A1 ‡	7/2015 Li	A24F 47/008 131/32
2015/0136158	A1 ‡	5/2015 Stevens	H02J 7/0091 131/32	2015/0181944	A1 ‡	7/2015 Li	A24F 47/008 131/32
2015/0142387	A1 ‡	5/2015 Alarcon	A24F 40/65 702/18	2015/0184846	A1 ‡	7/2015 Liu	A24F 47/008 131/32
2015/0144145	A1 ‡	5/2015 Chang	A24F 40/42 131/32	2015/0186837	A1 ‡	7/2015 Bianco	B67D 7/348 235/38
2015/0144147	A1 ‡	5/2015 Li	F22B 1/284 131/32	2015/0189695	A1 ‡	7/2015 Xiang	A24F 47/008 219/20
2015/0144148	A1 ‡	5/2015 Chen	A24F 40/10 131/32	2015/0189915	A1 ‡	7/2015 Liu	A24F 47/008 131/32
2015/0150302	A1 ‡	6/2015 Metrangolo	A24C 5/18 131/77	2015/0189918	A1 ‡	7/2015 Liu	H05B 3/03 131/32
2015/0150303	A1 ‡	6/2015 Jensen	A24B 15/16 131/27	2015/0189919	A1 ‡	7/2015 Liu	A24F 7/00 131/32
2015/0150305	A1 ‡	6/2015 Shenkal	A61M 15/06 131/32	2015/0189920	A1 ‡	7/2015 Liu	A24F 7/00 131/32
2015/0150306	A1 ‡	6/2015 Chen	A24F 47/008 131/32	2015/0196055	A1 ‡	7/2015 Liu	A24F 47/008 131/32
2015/0150307	A1 ‡	6/2015 Liu	H05B 1/0244 131/32	2015/0196056	A1 ‡	7/2015 Liu	H05B 1/0244 131/32
2015/0150308	A1 ‡	6/2015 Monsees	A24F 47/008 131/32	2015/0196057	A1 ‡	7/2015 Wu	A24F 47/008 131/32
				2015/0196058	A1 ‡	7/2015 Lord	A24F 40/40 131/32
				2015/0196059	A1 ‡	7/2015 Liu	H05B 3/06 131/32

(56)		References Cited	
		U.S. PATENT DOCUMENTS	
2015/0196060	A1 †	7/2015	Wensley A61M 11/042 392/39
2015/0196062	A1 †	7/2015	Li H01H 19/36 131/32
2015/0200385	A1 †	7/2015	Liu H01M 10/425 131/32
2015/0201674	A1 †	7/2015	Dooly A24F 47/008 53/432
2015/0201675	A1 †	7/2015	Lord A61M 11/042 131/32
2015/0201676	A1 †	7/2015	Shin A24F 15/18 131/32
2015/0208724	A1 †	7/2015	Wu A61M 15/06 131/32
2015/0208725	A1 †	7/2015	Tsai A24F 47/008 392/39
2015/0208726	A1 †	7/2015	Liu H05B 1/0244 131/32
2015/0208728	A1 †	7/2015	Lord A24F 7/00 131/32
2015/0208729	A1 †	7/2015	Monsees A24F 40/42 131/32
2015/0208730	A1 †	7/2015	Li A61M 15/06 131/32
2015/0208731	A1 †	7/2015	Malamud H05B 1/0244 131/32
2015/0216232	A1 †	8/2015	Bless A24F 47/008 131/32
2015/0216233	A1 †	8/2015	Sears F21V 7/26 362/23
2015/0216234	A1 †	8/2015	Chung A24F 47/008 131/32
2015/0216235	A1 †	8/2015	Liu A24F 47/008 131/32
2015/0216237	A1 †	8/2015	Wensley H05B 1/0244 131/27
2015/0217067	A1 †	8/2015	Hearn A24F 47/002 128/20
2015/0217068	A1 †	8/2015	Wakalopoulos A61M 11/044 128/20
2015/0223520	A1 †	8/2015	Phillips A24F 47/006 131/32
2015/0223521	A1 †	8/2015	Menting A24F 47/008 131/27
2015/0223522	A1 †	8/2015	Ampolini B23P 21/004 131/32
2015/0223523	A1 †	8/2015	McCullough A61K 36/53 131/32
2015/0224268	A1 †	8/2015	Henry G06Q 50/01 128/20
2015/0227471	A1 †	8/2015	Stafford G06F 12/1441 711/16
2015/0230521	A1 †	8/2015	Talon A24F 40/50 131/32
2015/0237914	A1 †	8/2015	Han A24F 47/008 131/32
2015/0237916	A1 †	8/2015	Farine G05D 23/1919 219/49
2015/0237917	A1 †	8/2015	Lord G01K 1/20 131/32
2015/0237918	A1 †	8/2015	Liu H02J 7/025 131/32
2015/0238723	A1 †	8/2015	Knudsen A61M 15/0091 128/20
2015/0245654	A1 †	9/2015	Memari H02J 50/10 141/2
2015/0245655	A1 †	9/2015	Memari H05K 999/00 206/24
2015/0245657	A1 †	9/2015	Memari B65D 25/005 141/18
2015/0245658	A1 †	9/2015	Worm A24F 40/50 131/32
2015/0245659	A1 †	9/2015	DePiano F22B 1/282 392/39
2015/0245660	A1 †	9/2015	Lord A61M 15/06 131/32
2015/0245661	A1 †	9/2015	Milin A24F 47/008 131/32
2015/0245665	A1 †	9/2015	Memari A24F 40/90 131/32
2015/0245666	A1 †	9/2015	Memari H02J 50/10 131/32
2015/0245667	A1 †	9/2015	Memari H02J 7/35 131/32
2015/0245668	A1 †	9/2015	Memari A24F 15/14 206/25
2015/0245669	A1 †	9/2015	Cadieux A61M 15/06 131/32
2015/0257441	A1 †	9/2015	Gerkin A24F 15/08 206/22
2015/0257444	A1 †	9/2015	Chung A24F 1/30 131/32
2015/0257445	A1 †	9/2015	Henry, Jr. A24F 47/008 131/32
2015/0257446	A1 †	9/2015	Chung A24F 47/008 131/32
2015/0257447	A1 †	9/2015	Sullivan A61M 15/002 131/32
2015/0257449	A1 †	9/2015	Gabbay A24F 47/008 392/38
2015/0257451	A1 †	9/2015	Brannon A24F 47/008 131/32
2015/0258289	A1 †	9/2015	Henry, Jr. A24F 47/008 128/20
2015/0272211	A1 †	10/2015	Chung A24F 15/00 206/24
2015/0272215	A1 †	10/2015	Esses H02J 7/342 320/10
2015/0272217	A1 †	10/2015	Chen A24F 47/008 131/32
2015/0272218	A1 †	10/2015	Chen A24F 47/008 131/32
2015/0272220	A1 †	10/2015	Spinka A24F 47/008 131/32
2015/0272221	A1 †	10/2015	Liu A24F 47/008 131/27
2015/0272222	A1 †	10/2015	Spinka A24F 47/008 131/27
2015/0272223	A1 †	10/2015	Weigensberg G01R 31/382 131/32
2015/0276262	A1 †	10/2015	Dai A24F 47/008 392/38
2015/0280273	A1 †	10/2015	Liu H01M 10/0525 429/16
2015/0282524	A1 †	10/2015	Elhalwani A24F 1/30 131/32
2015/0282525	A1 †	10/2015	Plojoux A24F 47/008 131/18
2015/0282526	A1 †	10/2015	Wu A24F 47/008 131/32
2015/0282527	A1 †	10/2015	Henry, Jr. A61M 15/06 131/32
2015/0282529	A1 †	10/2015	Li A24F 47/008 131/27
2015/0282530	A1 †	10/2015	Johnson A61M 15/06 392/38
2015/0288468	A1 †	10/2015	Xiang A24F 47/008 455/50
2015/0289565	A1 †	10/2015	Cadieux A24F 47/002 131/32
2015/0289567	A1 †	10/2015	Liu A61M 15/06 131/32
2015/0295921	A1 †	10/2015	Cao H04L 9/30 726/7
2015/0296883	A1 †	10/2015	Wu A24F 47/008 131/32
2015/0296885	A1 †	10/2015	Liu H05B 1/0244 131/32

(56)

References Cited

U.S. PATENT DOCUMENTS

2015/0296886	A1 †	10/2015	Li	A24F 47/008 131/32	2015/0335072	A1 †	11/2015	Giller	B01F 13/0028 131/32
2015/0296887	A1 †	10/2015	Zhu	H05B 1/0291 131/32	2015/0335074	A1 †	11/2015	Leung	H05B 1/0297 131/32
2015/0296888	A1 †	10/2015	Liu	A24F 47/008 131/32	2015/0335075	A1 †	11/2015	Minskoff	A24F 47/008 131/32
2015/0296889	A1 †	10/2015	Liu	A24F 47/008 131/32	2015/0342254	A1 †	12/2015	Mironov	A24F 47/006 131/33
2015/0304401	A1 †	10/2015	Liu	A24F 47/008 709/21	2015/0342255	A1 †	12/2015	Wu	A61M 15/002 131/32
2015/0304402	A1 †	10/2015	Liu	A24F 47/008 709/20	2015/0342256	A1 †	12/2015	Chen	H05B 3/06 392/40
2015/0305403	A1 †	10/2015	Coelho Belo Fernandes De Carvalho	A24F 47/008 131/32	2015/0342257	A1 †	12/2015	Chen	H05B 3/06 392/39
2015/0305404	A1 †	10/2015	Rosales	A24F 9/04 131/24	2015/0342258	A1 †	12/2015	Chen	A24F 47/008 131/32
2015/0305406	A1 †	10/2015	Li	A24F 47/008 131/32	2015/0342259	A1 †	12/2015	Baker	A24F 47/008 131/32
2015/0305407	A1 †	10/2015	Li	A24F 47/008 131/27	2015/0351449	A1 †	12/2015	Righetti	A24B 15/167 131/32
2015/0305408	A1 †	10/2015	Liu	A24F 47/008 131/32	2015/0351454	A1 †	12/2015	Huang	A61M 15/06 392/39
2015/0305409	A1 †	10/2015	Verleur	H02J 7/0042 131/32	2015/0351455	A1 †	12/2015	Liu	H05B 3/40 131/32
2015/0305464	A1 †	10/2015	Nelson, Jr.	A24F 15/00 206/23	2015/0351456	A1 †	12/2015	Johnson	A24F 47/008 131/32
2015/0313275	A1 †	11/2015	Anderson	A24B 15/10 131/35	2015/0351457	A1 †	12/2015	Liu	A24F 47/008 131/32
2015/0313282	A1 †	11/2015	Ademe	A24F 47/008 131/32	2015/0357608	A1 †	12/2015	Huang	A24F 47/008 131/32
2015/0313283	A1 †	11/2015	Collett	H05B 3/06 131/32	2015/0357839	A1 †	12/2015	Cai	A24F 47/008 131/32
2015/0313284	A1 †	11/2015	Liu	A24F 40/40 131/32	2015/0359258	A1 †	12/2015	Mishra	A24B 15/282 131/32
2015/0313285	A1 †	11/2015	Waller	A24F 47/004 131/32	2015/0359261	A1 †	12/2015	Li	F24H 1/0018 392/39
2015/0313287	A1 †	11/2015	Verleur	A24F 47/008 131/32	2015/0359262	A1 †	12/2015	Liu	C04B 35/6263 131/32
2015/0313288	A1 †	11/2015	Liu	H05B 3/40 131/32	2015/0359263	A1 †	12/2015	Bellinger	A24F 47/008 392/39
2015/0313868	A1 †	11/2015	Morgan	A61K 31/01 514/22	2015/0359264	A1 †	12/2015	Fernando	A24F 47/008 131/32
2015/0320114	A1 †	11/2015	Wu	A24F 47/008 131/32	2015/0359265	A1 †	12/2015	Liu	A24F 47/008 131/32
2015/0320116	A1 †	11/2015	Bleloch	H05B 6/108 219/62	2015/0366250	A1 †	12/2015	Landau	A24F 47/002 426/2
2015/0321804	A1 †	11/2015	Koller	B65D 1/0246 215/44	2015/0366265	A1 †	12/2015	Lansing	A24F 47/004 131/32
2015/0322451	A1 †	11/2015	Kudithipudi	A24F 47/008 131/32	2015/0366266	A1 †	12/2015	Chen	A61M 15/06 131/32
2015/0327595	A1 †	11/2015	Scatterday	A61M 15/06 128/20	2015/0366267	A1 †	12/2015	Liu	H01M 2/1055 131/32
2015/0327596	A1 †	11/2015	Alarcon	H04L 67/22 131/32	2015/0366268	A1 †	12/2015	Shabat	G06F 13/382 131/32
2015/0327597	A1 †	11/2015	Li	H05B 3/03 131/32	2015/0374035	A1 †	12/2015	Sanchez	A24F 40/42 131/32
2015/0327598	A1 †	11/2015	Xiang	B23P 19/00 131/32	2015/0374039	A1 †	12/2015	Zhu	A24F 47/008 131/32
2015/0328415	A1 †	11/2015	Minskoff	A61M 15/06 128/20	2015/0374040	A1 †	12/2015	Chen	G01R 31/66 131/32
2015/0332379	A1 †	11/2015	Alarcon	A61M 15/06 705/26	2016/0000147	A1 †	1/2016	Li	A24F 47/008 131/32
2015/0333542	A1 †	11/2015	Alarcon	H02J 7/0045 131/32	2016/0000148	A1 †	1/2016	Liu	H01M 2/1055 131/32
2015/0333552	A1 †	11/2015	Alarcon	A24F 47/008 131/32	2016/0000149	A1 †	1/2016	Scatterday	A24F 47/008 392/39
2015/0333561	A1 †	11/2015	Alarcon	A24F 40/90 131/32	2016/0002649	A1 †	1/2016	Kudithipudi	A01H 1/06 131/32
2015/0335071	A1 †	11/2015	Brinkley	H05B 1/0297 131/32	2016/0007650	A1 †	1/2016	Duncan	A24F 47/002 131/32
					2016/0007651	A1 †	1/2016	Ampolini	A24F 47/008 131/32
					2016/0007653	A1 †	1/2016	Tu	F22B 1/284 392/40
					2016/0007654	A1 †	1/2016	Zhu	A24F 47/008 131/32

(56)		References Cited	
U.S. PATENT DOCUMENTS			
2016/0007655	A1 †	1/2016	Li H05B 3/22 392/39
2016/0010103	A1 †	1/2016	Kudithipudi A24B 13/00 800/26
2016/0015082	A1 †	1/2016	Liu A24F 47/008 131/32
2016/0018347	A1 †	1/2016	Drbal A61M 1/28 210/64
2016/0020048	A1 †	1/2016	Ware H01H 5/02 131/32
2016/0021771	A1 †	1/2016	Zhang G06F 1/163 361/75
2016/0021930	A1 †	1/2016	Minskoff H05B 3/0014 131/32
2016/0021931	A1 †	1/2016	Hawes H05B 3/42 131/32
2016/0021932	A1 †	1/2016	Silvestrini A24F 47/008 131/32
2016/0021933	A1 †	1/2016	Thorens A24F 47/008 131/32
2016/0021934	A1 †	1/2016	Cadieux A24F 47/008 131/32
2016/0029225	A1 †	1/2016	Hu H04W 16/28 455/56
2016/0029694	A1 †	2/2016	Clements A24F 47/004 131/32
2016/0029697	A1 †	2/2016	Shafer G05F 1/66 131/32
2016/0029698	A1 †	2/2016	Xiang A24F 47/008 131/32
2016/0029699	A1 †	2/2016	Li A24F 47/008 131/32
2016/0029700	A1 †	2/2016	Li A24F 47/008 131/32
2016/0037826	A1 †	2/2016	Hearn A61M 15/06 141/3
2016/0044961	A1 †	2/2016	Liu A61M 11/042 131/32
2016/0044964	A1 †	2/2016	Liu H05B 1/0252 392/39
2016/0044965	A1 †	2/2016	Liu A24F 47/008 131/32
2016/0044966	A1 †	2/2016	Li A24F 47/008 131/32
2016/0044967	A1 †	2/2016	Bowen A24F 47/008 131/32
2016/0044968	A1 †	2/2016	Bowen A61P 25/26 131/32
2016/0049682	A1 †	2/2016	Won H01M 10/0404 429/18
2016/0051716	A1 †	2/2016	Wheelock A24F 47/008 392/38
2016/0053988	A1 †	2/2016	Quintana H05B 3/16 392/39
2016/0057811	A1 †	2/2016	Alarcon A24F 47/008 219/49
2016/0058066	A1 †	3/2016	Banks A24D 1/14 131/32
2016/0058071	A1 †	3/2016	Hearn A24F 47/002 131/32
2016/0058072	A1 †	3/2016	Liu A24F 47/008 131/32
2016/0058073	A1 †	3/2016	Chen F22B 1/284 131/32
2016/0058074	A1 †	3/2016	Liu A24F 47/008 131/32
2016/0066617	A1 †	3/2016	Yilmaz A24B 9/00 131/30
2016/0073677	A1 †	3/2016	Kappel B65D 75/5811 206/24
2016/0073678	A1 †	3/2016	Fujisawa A24B 13/00 131/29
2016/0073690	A1 †	3/2016	Liu A24D 3/08 131/32
2016/0073691	A1 †	3/2016	Liu A24F 47/008 131/32
2016/0073692	A1 †	3/2016	Alarcon A24F 47/008 131/32
2016/0073693	A1 †	3/2016	Reevell H05B 1/0244 131/32
2016/0073694	A1 †	3/2016	Liu H05B 3/40 131/32
2016/0080469	A1 †	3/2016	Liu H04W 12/08 709/21
2016/0081393	A1 †	3/2016	Black H05B 1/0252 392/38
2016/0081394	A1 †	3/2016	Alarcon A24D 3/04 131/32
2016/0081395	A1 †	3/2016	Thorens A61M 15/06 128/20
2016/0088874	A1 †	3/2016	Lipowicz A24F 47/008 131/32
2016/0089508	A1 †	3/2016	Smith A61M 15/0003 128/20
2016/0091194	A1 †	3/2016	Liu B65D 43/14 206/23
2016/0095352	A1 †	4/2016	Liu H01M 2/34 131/32
2016/0095353	A1 †	4/2016	Liu A24F 15/18 206/86
2016/0095354	A1 †	4/2016	Wu A24F 47/008 131/32
2016/0095355	A1 †	4/2016	Hearn A24F 47/008 131/27
2016/0095356	A1 †	4/2016	Chan H05B 3/44 131/32
2016/0095357	A1 †	4/2016	Burton B23P 19/00 131/32
2016/0099592	A1 †	4/2016	Gatta H02J 7/0044 320/10
2016/0100456	A1 †	4/2016	Tsai H05B 3/06 219/53
2016/0100632	A1 †	4/2016	Debono H05B 1/0244 219/49
2016/0101909	A1 †	4/2016	Schennum A45C 13/007 206/26
2016/0106144	A1 †	4/2016	Muehlbauer A24F 47/008 131/29
2016/0106151	A1 †	4/2016	Sweepston A24C 5/327 29/825
2016/0106152	A1 †	4/2016	Liu G05D 7/0635 392/40
2016/0106154	A1 †	4/2016	Lord A24F 47/008 131/32
2016/0106155	A1 †	4/2016	Reevell F22B 1/284 131/32
2016/0106156	A1 †	4/2016	Qiu H02J 7/0047 392/40
2016/0106936	A1 †	4/2016	Kimmel A61M 15/06 128/20
2016/0109115	A1 †	4/2016	Lipowicz H05B 6/10 392/39
2016/0113323	A1 †	4/2016	Liu A24F 47/002 206/26
2016/0113325	A1 †	4/2016	Liu H05B 1/0244 131/32
2016/0113326	A1 †	4/2016	Li H05B 3/00 131/32
2016/0113327	A1 †	4/2016	Wu H05B 3/06 131/32
2016/0120218	A1 †	5/2016	Schennum A24F 15/12 206/26
2016/0120220	A1 †	5/2016	Malgat A24F 47/004 128/20
2016/0120222	A1 †	5/2016	Bagai H05B 3/00 131/32
2016/0120223	A1 †	5/2016	Keen A24F 47/00 131/32

(56)		References Cited			
U.S. PATENT DOCUMENTS					
2016/0120224	A1 †	5/2016	Mishra H05B 3/44 392/39	2016/0144458	A1 † 5/2016 Boldrini B23K 37/0211 228/17
2016/0120225	A1 †	5/2016	Mishra A24F 40/20 392/38	2016/0150820	A1 † 6/2016 Liu A24F 47/008 137/23
2016/0120226	A1 †	5/2016	Rado A24F 47/008 131/32	2016/0150821	A1 † 6/2016 Liu A24F 47/008 131/32
2016/0120227	A1 †	5/2016	Levitz A24F 47/008 219/38	2016/0150823	A1 † 6/2016 Liu H05B 3/46 131/32
2016/0120228	A1 †	5/2016	Rostami A24F 47/008 131/32	2016/0150824	A1 † 6/2016 Memari A24F 15/12 131/32
2016/0121058	A1 †	5/2016	Chen A24F 40/44 128/20	2016/0150826	A1 † 6/2016 Liu H05B 3/03 392/40
2016/0128384	A1 †	5/2016	Luciani A24F 47/008 131/32	2016/0150827	A1 † 6/2016 Liu A24F 47/008 131/32
2016/0128385	A1 †	5/2016	Lin A24F 47/002 131/32	2016/0150828	A1 † 6/2016 Goldstein A24F 47/008 392/38
2016/0128387	A1 †	5/2016	Chen A24F 47/008 392/39	2016/0150872	A1 † 6/2016 Zayat A61J 9/063 248/69
2016/0128388	A1 †	5/2016	Liu A24F 47/008 392/40	2016/0157523	A1 † 6/2016 Liu A61M 15/0085 392/39
2016/0128389	A1 †	5/2016	Lamb A24F 47/008 131/32	2016/0157524	A1 † 6/2016 Bowen A61M 15/0065 128/20
2016/0128390	A1 †	5/2016	Liu H05B 3/03 392/38	2016/0157525	A1 † 6/2016 Tucker H05B 3/141 392/39
2016/0129205	A1 †	5/2016	Shahaf B05B 1/002 128/20	2016/0158782	A1 † 6/2016 Henry, Jr. B05B 12/08 700/27
2016/0131629	A1 †	5/2016	Cadieux, Jr. G01N 33/28 436/60	2016/0165952	A1 † 6/2016 Liu B65D 85/70 206/25
2016/0132898	A1 †	5/2016	Cadieux G06Q 30/0185 705/31	2016/0165955	A1 † 6/2016 Horne A24F 47/008 131/32
2016/0134143	A1 †	5/2016	Liu A24F 15/08 206/22	2016/0166564	A1 † 6/2016 Myers A61K 31/465 514/34
2016/0135494	A1 †	5/2016	Liu A24F 47/008 131/32	2016/0167846	A1 † 6/2016 Zahr A24F 47/002 222/15
2016/0135500	A1 †	5/2016	Hearn A61M 15/06 131/32	2016/0174076	A1 † 6/2016 Wu H04W 12/12 455/41
2016/0135501	A1 †	5/2016	Liu H05B 1/0297 131/32	2016/0174609	A1 † 6/2016 Mironov A24F 47/006 131/32
2016/0135503	A1 †	5/2016	Liu A24F 47/008 392/40	2016/0174611	A1 † 6/2016 Monsees H05B 3/04 392/38
2016/0135504	A1 †	5/2016	Li A61M 15/06 392/39	2016/0174613	A1 † 6/2016 Zuber A24F 47/008 392/39
2016/0135505	A1 †	5/2016	Li A24F 47/008 131/32	2016/0176564	A1 † 6/2016 Garthaffner B65C 9/1807 156/21
2016/0135506	A1 †	5/2016	Sanchez A24F 40/30 131/32	2016/0177285	A1 † 6/2016 Voerman A61K 9/007 131/32
2016/0135507	A1 †	5/2016	Thorens A24F 47/008 131/32	2016/0183592	A1 † 6/2016 Liu H05B 1/0244 131/32
2016/0136153	A1 †	5/2016	Jenkins A61K 45/06 424/45	2016/0183593	A1 † 6/2016 Liu H05B 3/03 392/38
2016/0136213	A1 †	5/2016	Paul A24B 15/26 131/35	2016/0183594	A1 † 6/2016 Liu A24F 47/008 392/38
2016/0138795	A1 †	5/2016	Meinhart A61L 9/037 392/39	2016/0183595	A1 † 6/2016 Grimandi B23P 19/04 29/428
2016/0143354	A1 †	5/2016	Liu A24F 47/008 131/32	2016/0183597	A1 † 6/2016 Li H05B 3/0014 392/40
2016/0143357	A1 †	5/2016	Liu H02J 7/0045 206/22	2016/0189216	A1 † 6/2016 Liu A24F 47/008 705/14
2016/0143358	A1 †	5/2016	Zhu A24F 47/008 131/32	2016/0192705	A1 † 7/2016 Borkovec H05B 1/0202 131/32
2016/0143359	A1 †	5/2016	Xiang H05B 1/0227 392/38	2016/0192706	A1 † 7/2016 Kananen H05B 1/0244 128/20
2016/0143360	A1 †	5/2016	Sanchez A24F 47/008 239/30	2016/0192707	A1 † 7/2016 Li H05B 3/00 131/32
2016/0143361	A1 †	5/2016	Juster H05B 1/0244 392/40	2016/0192708	A1 † 7/2016 DeMeritt H05B 3/40 131/32
2016/0143362	A1 †	5/2016	Boldrini A24F 47/008 29/611	2016/0192709	A1 † 7/2016 Liu H05B 3/40 131/32
2016/0143363	A1 †	5/2016	Boldrini A24F 47/008 29/611	2016/0192710	A1 † 7/2016 Liu H05B 3/0014 131/32
2016/0143365	A1 †	5/2016	Liu A61M 15/06 131/32	2016/0198759	A1 † 7/2016 Kuntawala A24F 47/008 131/35
				2016/0198763	A1 † 7/2016 Adkins A24F 15/12 224/18
				2016/0198765	A1 † 7/2016 Liu H05B 1/0244 392/38

(56)

References Cited

U.S. PATENT DOCUMENTS

2017/0035101 A1 ‡ 2/2017 Balder A61M 11/042
2017/0035109 A1 ‡ 2/2017 Liu H05B 3/24
2017/0035110 A1 ‡ 2/2017 Keen A61M 11/042
2017/0035111 A1 ‡ 2/2017 Slurink H05B 1/0297
2017/0035112 A1 ‡ 2/2017 Thorens H05B 3/34
2017/0035113 A1 ‡ 2/2017 Thorens A24F 40/46
2017/0035114 A1 ‡ 2/2017 Lord H05B 1/0244
2017/0035115 A1 ‡ 2/2017 Monsees A24B 15/167
2017/0035117 A1 ‡ 2/2017 Lin A24F 47/00
2017/0035118 A1 ‡ 2/2017 Liu A24F 47/008
2017/0035119 A1 ‡ 2/2017 Otto H05B 3/22
2017/0041646 A1 ‡ 2/2017 Pizzurro G11B 27/031
2017/0042225 A1 ‡ 2/2017 Liu A24F 47/004
2017/0042227 A1 ‡ 2/2017 Gavriellov A24F 47/008
2017/0042228 A1 ‡ 2/2017 Liu A24F 47/008
2017/0042229 A1 ‡ 2/2017 Liu B65D 25/56
2017/0042230 A1 ‡ 2/2017 Cameron A24F 47/008
2017/0042231 A1 ‡ 2/2017 Cameron A24F 47/008
2017/0042242 A1 ‡ 2/2017 Hon A61M 15/06
2017/0042243 A1 ‡ 2/2017 Plojoux H05B 3/42
2017/0042245 A1 ‡ 2/2017 Buchberger A24F 47/008
2017/0042246 A1 ‡ 2/2017 Lau A24F 47/008
2017/0042247 A1 ‡ 2/2017 Xiang H05B 1/0244
2017/0042248 A1 ‡ 2/2017 Xiang G06F 3/041
2017/0042250 A1 ‡ 2/2017 Takeuchi H05B 1/0244
2017/0046357 A1 ‡ 2/2017 Cameron A24F 47/008
2017/0046722 A1 ‡ 2/2017 Ertugrul G06Q 30/0185
2017/0046738 A1 ‡ 2/2017 Cameron G06Q 30/0255
2017/0047756 A1 ‡ 2/2017 Xiang A24F 11/00
2017/0048691 A1 ‡ 2/2017 Liu A24F 47/00
2017/0049149 A1 ‡ 2/2017 Carty A61M 15/0021
2017/0049150 A1 ‡ 2/2017 Xue H05B 1/0244
2017/0049151 A1 ‡ 2/2017 Xue A24F 47/008
2017/0049152 A1 ‡ 2/2017 Liu H05B 3/04
2017/0049153 A1 ‡ 2/2017 Guo A61M 11/042
2017/0049154 A1 ‡ 2/2017 Batista A24F 47/008
2017/0049155 A1 ‡ 2/2017 Liu H05B 1/0244
2017/0049156 A1 ‡ 2/2017 Wang H05B 3/44
2017/0050798 A1 ‡ 2/2017 Ludewig A24F 47/002
2017/0055577 A1 ‡ 3/2017 Batista A24F 47/006
2017/0055579 A1 ‡ 3/2017 Kuna A24F 47/008
2017/0055586 A1 ‡ 3/2017 Liu B65D 51/20
2017/0055588 A1 ‡ 3/2017 Cameron A24F 47/008
2017/0055589 A1 ‡ 3/2017 Fernando A24F 47/008
2017/0064994 A1 ‡ 3/2017 Xu B65D 25/08
2017/0064999 A1 ‡ 3/2017 Perez A24F 40/42
2017/0065000 A1 ‡ 3/2017 Sears A24F 47/008
2017/0065001 A1 ‡ 3/2017 Li F22B 1/284
2017/0066556 A1 ‡ 3/2017 Liu B65D 85/20
2017/0071249 A1 ‡ 3/2017 Ampolini A61M 15/06
2017/0071251 A1 ‡ 3/2017 Goch H05B 1/0244
2017/0071252 A1 ‡ 3/2017 Liu A24F 47/008
2017/0071256 A1 ‡ 3/2017 Verleur A24F 47/008
2017/0071257 A1 ‡ 3/2017 Lin H02J 7/0072
2017/0071258 A1 ‡ 3/2017 Li A24F 40/48
2017/0071260 A1 ‡ 3/2017 Li B65D 43/20
2017/0071262 A1 ‡ 3/2017 Liu H04W 4/023
2017/0079110 A1 ‡ 3/2017 Plattner A61M 15/06
2017/0079319 A1 ‡ 3/2017 Muhammed A24B 15/167
2017/0079321 A1 ‡ 3/2017 Golz A24F 1/30
2017/0079322 A1 ‡ 3/2017 Li A24B 15/167
2017/0079323 A1 ‡ 3/2017 Wang H01M 2/34
2017/0079324 A1 ‡ 3/2017 Eksouzian A24F 1/30
2017/0079327 A1 ‡ 3/2017 Wu H02J 7/0042
2017/0079328 A1 ‡ 3/2017 Wu A61M 11/042
2017/0079329 A1 ‡ 3/2017 Zitzke A24F 40/50
2017/0079330 A1 ‡ 3/2017 Mironov H05B 6/108
2017/0079331 A1 ‡ 3/2017 Monsees A61M 15/0023
2017/0079332 A1 ‡ 3/2017 Li G01K 7/22
2017/0086496 A1 ‡ 3/2017 Cameron B26B 11/001
2017/0086497 A1 ‡ 3/2017 Cameron A24F 47/008
2017/0086498 A1 ‡ 3/2017 Daryani A24F 47/008
2017/0086499 A1 ‡ 3/2017 Mize A24F 47/002
2017/0086500 A1 ‡ 3/2017 Li A24F 47/008
2017/0086501 A1 ‡ 3/2017 Buehler A24F 47/008

2017/0086502 A1 ‡ 3/2017 Hearn A61M 15/06
2017/0086503 A1 ‡ 3/2017 Cameron H01M 10/345
2017/0086504 A1 ‡ 3/2017 Cameron B03C 3/017
2017/0086505 A1 ‡ 3/2017 Cameron H01L 29/78693
2017/0086506 A1 ‡ 3/2017 Rado H05B 1/0227
2017/0086507 A1 ‡ 3/2017 Rado H05B 1/0244
2017/0086508 A1 ‡ 3/2017 Mironov A24F 47/008
2017/0091490 A1 ‡ 3/2017 Cameron G09G 3/2096
2017/0091853 A1 ‡ 3/2017 Cameron G06Q 30/0637
2017/0092106 A1 ‡ 3/2017 Cameron G08B 21/24
2017/0092900 A1 ‡ 3/2017 Yang H01M 2/022
2017/0093960 A1 ‡ 3/2017 Cameron H04W 4/80
2017/0093981 A1 ‡ 3/2017 Cameron A24F 47/008
2017/0094998 A1 ‡ 4/2017 Bernauer B23P 19/00
2017/0094999 A1 ‡ 4/2017 Hearn F22B 1/284
2017/0095000 A1 ‡ 4/2017 Spirito A24F 47/008
2017/0095001 A1 ‡ 4/2017 Liu A24F 47/008
2017/0095002 A1 ‡ 4/2017 Silvestrini A24F 47/008
2017/0095003 A1 ‡ 4/2017 Mironov A24F 40/50
2017/0095004 A1 ‡ 4/2017 Liu A24F 47/008
2017/0095005 A1 ‡ 4/2017 Monsees A24F 40/00
2017/0095518 A1 ‡ 4/2017 Bjorncrantz A61K 31/353
2017/0095623 A1 ‡ 4/2017 Trzeczieski A61M 15/0021
2017/0099877 A1 ‡ 4/2017 Worm A61M 11/042
2017/0099879 A1 ‡ 4/2017 Heidl A24F 47/008
2017/0099880 A1 ‡ 4/2017 Hawes A24F 40/50
2017/0101256 A1 ‡ 4/2017 Zeitlin A24F 15/20
2017/0102013 A1 ‡ 4/2017 Wallman F15B 15/1457
2017/0105448 A1 ‡ 4/2017 Scarpulla A24F 47/002
2017/0105449 A1 ‡ 4/2017 Hearn B67D 7/0294
2017/0105450 A1 ‡ 4/2017 Reed H05B 3/0014
2017/0105451 A1 ‡ 4/2017 Fornarelli A24F 47/008
2017/0105452 A1 ‡ 4/2017 Mironov A24F 47/008
2017/0105453 A1 ‡ 4/2017 Li C22C 1/1084
2017/0105454 A1 ‡ 4/2017 Li A24F 47/008
2017/0105455 A1 ‡ 4/2017 Qiu B22F 5/10
2017/0108210 A1 ‡ 4/2017 Meinhart A24F 40/40
2017/0108840 A1 ‡ 4/2017 Hawes A24F 47/008
2017/0109877 A1 ‡ 4/2017 Peleg A24C 5/3412
2017/0112182 A1 ‡ 4/2017 Arnold A24F 47/008
2017/0112190 A1 ‡ 4/2017 Buchberger A24F 40/30
2017/0112192 A1 ‡ 4/2017 Shan A24F 47/008
2017/0112193 A1 ‡ 4/2017 Chen H05B 3/12
2017/0112196 A1 ‡ 4/2017 Sur H05B 1/0227
2017/0112197 A1 ‡ 4/2017 Li A24F 40/42
2017/0113819 A1 ‡ 4/2017 Marz B65B 3/12
2017/0117654 A1 ‡ 4/2017 Cruz A24F 47/008
2017/0118292 A1 ‡ 4/2017 Xiang A24F 47/008
2017/0118584 A1 ‡ 4/2017 Xiang H04W 4/80
2017/0119040 A1 ‡ 5/2017 Cameron A24F 47/008
2017/0119044 A1 ‡ 5/2017 Oligschlaeger B65D 25/10
2017/0119050 A1 ‡ 5/2017 Blandino A24F 47/008
2017/0119052 A1 ‡ 5/2017 Williams H05B 3/04
2017/0119053 A1 ‡ 5/2017 Henry, Jr. A24F 47/008
2017/0119054 A1 ‡ 5/2017 Zinovik A24F 47/008
2017/0119055 A1 ‡ 5/2017 Liu A24F 47/008
2017/0119057 A1 ‡ 5/2017 Liu H05B 1/0244
2017/0119058 A1 ‡ 5/2017 Cameron H05B 1/0244
2017/0119060 A1 ‡ 5/2017 Li A24F 7/02
2017/0119061 A1 ‡ 5/2017 Li A61M 15/06
2017/0127722 A1 ‡ 5/2017 Davis H05B 6/108
2017/0127723 A1 ‡ 5/2017 Wu B65D 85/70
2017/0127724 A1 ‡ 5/2017 Liu A24F 47/008
2017/0127725 A1 ‡ 5/2017 Buchberger A24F 40/44
2017/0127726 A1 ‡ 5/2017 Xiang A24F 47/008
2017/0127728 A1 ‡ 5/2017 Li H05B 1/0244
2017/0129661 A1 ‡ 5/2017 Van Tassell, III B65D 47/18
2017/0135397 A1 ‡ 5/2017 Buehler A61M 15/0035
2017/0135398 A1 ‡ 5/2017 Scott B65B 31/003
2017/0135399 A1 ‡ 5/2017 Gavriellov H05B 3/06
2017/0135400 A1 ‡ 5/2017 Liu G07C 9/00896
2017/0135401 A1 ‡ 5/2017 Dickens A61M 15/06
2017/0135402 A1 ‡ 5/2017 Zitzke H04L 9/3236
2017/0135403 A1 ‡ 5/2017 Liu H05B 1/0227
2017/0135407 A1 ‡ 5/2017 Cameron A24F 47/008
2017/0135408 A1 ‡ 5/2017 Cameron A62C 37/36
2017/0135409 A1 ‡ 5/2017 Cameron A24F 47/008
2017/0135410 A1 ‡ 5/2017 Cameron H05B 3/12
2017/0135411 A1 ‡ 5/2017 Cameron H05B 3/12

(56)

References Cited

U.S. PATENT DOCUMENTS

- 2017/0238606 A1 † 8/2017 Matsumoto A61M 11/003
 2017/0238608 A1 † 8/2017 Matsumoto A24F 47/00
 2017/0238609 A1 † 8/2017 Schlipf A24F 47/008
 2017/0238611 A1 † 8/2017 Buchberger A61M 15/06
 2017/0238612 A1 † 8/2017 Daryani A24F 47/008
 2017/0238613 A1 † 8/2017 Suess H05B 1/0244
 2017/0238614 A1 † 8/2017 Li A61M 15/06
 2017/0238617 A1 † 8/2017 Scatterday A24F 40/50
 2017/0241857 A1 † 8/2017 Hearn A24F 47/002
 2017/0245543 A1 † 8/2017 Karles A24B 15/18
 2017/0245546 A1 † 8/2017 Huang A24F 1/16
 2017/0245547 A1 † 8/2017 Lipowicz H05B 1/0222
 2017/0245550 A1 † 8/2017 Freeland A61M 15/0051
 2017/0245551 A1 † 8/2017 Reevell G01F 23/22
 2017/0245554 A1 † 8/2017 Perez B65D 25/04
 2017/0246399 A1 † 8/2017 Forlani A61M 5/3129
 2017/0246405 A1 † 8/2017 Wensley A61M 15/002
 2017/0246407 A1 † 8/2017 Matsumoto B65B 1/20
 2017/0250552 A1 † 8/2017 Liu H02J 7/0091
 2017/0251714 A1 † 9/2017 Mishra A24B 15/283
 2017/0251718 A1 † 9/2017 Armoush A24F 40/40
 2017/0251719 A1 † 9/2017 Cyphert A24F 3/00
 2017/0251721 A1 † 9/2017 Rostami A61M 15/06
 2017/0251722 A1 † 9/2017 Kobal A24F 47/008
 2017/0251723 A1 † 9/2017 Kobal A24B 15/167
 2017/0251724 A1 † 9/2017 Lamb H05B 1/0202
 2017/0251725 A1 † 9/2017 Buchberger A24B 15/167
 2017/0251726 A1 † 9/2017 Nielsen A61M 11/044
 2017/0251727 A1 † 9/2017 Nielsen A24F 47/008
 2017/0251728 A1 † 9/2017 Peleg G05D 23/24
 2017/0251729 A1 † 9/2017 Li A61M 15/06
 2017/0258129 A1 † 9/2017 Haun A24F 47/006
 2017/0258132 A1 † 9/2017 Rostami A24F 47/008
 2017/0258134 A1 † 9/2017 Kane H05B 3/56
 2017/0258137 A1 † 9/2017 Smith A24F 47/008
 2017/0258138 A1 † 9/2017 Rostami A61M 11/042
 2017/0258139 A1 † 9/2017 Rostami H04B 7/26
 2017/0258140 A1 † 9/2017 Rostami A24F 47/008
 2017/0258142 A1 † 9/2017 Hatton A24F 40/50
 2017/0258143 A1 † 9/2017 Lederer H05B 1/0297
 2017/0259170 A1 † 9/2017 Bowen A63F 9/24
 2017/0259954 A1 † 9/2017 Schwester A24F 47/002
 2017/0261200 A1 † 9/2017 Stultz F22B 1/28
 2017/0265517 A1 † 9/2017 Swede A24B 15/167
 2017/0265522 A1 † 9/2017 Li A61M 15/0021
 2017/0265524 A1 † 9/2017 Cadieux G01J 5/0896
 2017/0265525 A1 † 9/2017 Li A24F 47/008
 2017/0266397 A1 † 9/2017 Mayle A61M 11/042
 2017/0273353 A1 † 9/2017 Gindrat A24D 1/025
 2017/0273354 A1 † 9/2017 Tucker H05B 3/42
 2017/0273355 A1 † 9/2017 Rogers A24F 47/008
 2017/0273357 A1 † 9/2017 Barbuck A24F 47/008
 2017/0273358 A1 † 9/2017 Batista A24F 47/008
 2017/0273359 A1 † 9/2017 Liu A24F 47/008
 2017/0273360 A1 † 9/2017 Brinkley A24F 7/00
 2017/0273361 A1 † 9/2017 Li A24F 47/008
 2017/0273914 A1 † 9/2017 Knudsen A61K 31/352
 2017/0280767 A1 † 10/2017 Li A24F 47/008
 2017/0280768 A1 † 10/2017 Lipowicz A61M 11/042
 2017/0280769 A1 † 10/2017 Li A24B 15/283
 2017/0280770 A1 † 10/2017 Wang A24F 47/008
 2017/0280771 A1 † 10/2017 Courbat A24F 47/008
 2017/0280775 A1 † 10/2017 Manca B05B 7/1686
 2017/0280776 A1 † 10/2017 Manca H05B 3/04
 2017/0280778 A1 † 10/2017 Force A24F 47/008
 2017/0281883 A1 † 10/2017 Li A61M 15/0001
 2017/0283154 A1 † 10/2017 Karles B65D 25/08
 2017/0285810 A1 † 10/2017 Krah G06F 3/04182
 2017/0290368 A1 † 10/2017 Hearn A61M 15/0073
 2017/0290369 A1 † 10/2017 Norasak A61M 15/0021
 2017/0290370 A1 † 10/2017 Garthaffner A24F 47/008
 2017/0290371 A1 † 10/2017 Davis A24F 47/008
 2017/0290373 A1 † 10/2017 Hon H05B 1/0244
 2017/0290998 A1 † 10/2017 Poston A61M 11/007
 2017/0295840 A1 † 10/2017 Rath A24B 15/16
 2017/0295843 A1 † 10/2017 Storch A24F 47/008
 2017/0295844 A1 † 10/2017 Thevenaz A24F 40/42
 2017/0295845 A1 † 10/2017 Bajpai A61M 11/003
 2017/0295846 A1 † 10/2017 Liu H05B 3/44
 2017/0295847 A1 † 10/2017 Liu H05B 3/44
 2017/0295848 A1 † 10/2017 LaMothe A61M 15/06
 2017/0295849 A1 † 10/2017 Cadieux A24F 47/008
 2017/0297892 A1 † 10/2017 Li B65D 47/265
 2017/0301898 A1 † 10/2017 Lin A24F 47/008
 2017/0302089 A1 † 10/2017 Bernauer H02J 7/008
 2017/0302324 A1 † 10/2017 Stanimirovic A24F 47/008
 2017/0303597 A1 † 10/2017 Tsui A24F 47/008
 2017/0311648 A1 † 11/2017 Gill A24F 40/465
 2017/0318860 A1 † 11/2017 Adair A24F 47/008
 2017/0318861 A1 † 11/2017 Thorens A24F 47/008
 2017/0325503 A1 † 11/2017 Liu A24F 47/008
 2017/0325504 A1 † 11/2017 Liu A61M 11/042
 2017/0325506 A1 † 11/2017 Batista A24F 47/008
 2017/0332695 A1 † 11/2017 Zappoli A24D 3/0229
 2017/0333415 A1 † 11/2017 Williams A61M 11/042
 2017/0333650 A1 † 11/2017 Buchberger A61M 11/044
 2017/0333651 A1 † 11/2017 Qiu A61M 15/06
 2017/0334605 A1 † 11/2017 Murphy B65D 43/16
 2017/0367406 A1 † 12/2017 Schuler A24F 47/008
 2018/0000160 A1 † 1/2018 Taschner H05B 3/44
 2018/0037381 A1 * 2/2018 White B65D 43/0231
 2018/0042306 A1 † 2/2018 Atkins A24F 47/008
 2018/0043114 A1 † 2/2018 Bowen A61M 15/003
 2018/0043115 A1 † 2/2018 Gould A61M 15/06
 2018/0077967 A1 † 3/2018 Hatton A61M 11/00
 2018/0093050 A1 † 4/2018 Stenzler A61M 15/0013
 2018/0093051 A1 † 4/2018 Stenzler A61M 15/0021
 2018/0153218 A1 † 6/2018 Verleur H05B 3/44
 2018/0153219 A1 † 6/2018 Verleur H05B 3/44
 2018/0153220 A1 † 6/2018 Verleur A24F 40/40
 2018/0153221 A1 † 6/2018 Verleur A24F 47/008

OTHER PUBLICATIONS

- Bullen, et al., "Effect of an electronic nicotine delivery device (e cigarette) on desire to smoke and withdrawal, user preferences and nicotine delivery: randomized cross-over trial," *Tobacco Control*, 19(2), pp. 98-103. Apr. 2010. †
- Burch, et al., "Effect of pH on nicotine absorption and side effects produced by aerosolized nicotine," *Journal of Aerosol Medicine: Deposition, Clearance, and Effects in the Lung*, 6(1), pp. 45-52. 1993. †
- Brown, Christopher J., et al., "Electronic cigarettes: product characterisation and design considerations." *Tobacco control* 23.suppl 2 (2014): ii4-ii10. †
- Breland, Alison, et al. "Electronic cigarettes: what are they and what do they do?." *Annals of the New York Academy of Sciences* 1394.1 (2017): 5-30. †
- E-Cigarette Forum; pg-gv-peg (discussion/posting); retrieved from the Internet: <https://e-cigarette-forum.com/forum/threads/pg-gv-peg.177551>; 7 pgs.; Apr. 8, 2011. †
- Electronic Vaporization Device with Cartridge I JUUL Pod I JUUL Vapor, Posted Jun. 3, 2015. †
- ECF; Any interest in determining nicotine—by DVAP; (<https://www.e-cigarette-forum.com/forum/threads/any-interest-in-determining-nicotine-by-dvap.35922/>); blog posts dated: 2009; 8 pgs.; print/retrieval date: Jul. 31, 2014. †
- Baker et al., "The pyrolysis of tobacco ingredients," *J. Anal. Appl. Pyrolysis*, vol. 71, pp. 223- 311 (2004). †
- AMB. Manual:TranX160/Rev.10-06. published 2004-2006. †
- Capponnetto, et al., "Successful smoking cessation with cigarettes in smokers with a documented history of recurring relapses: a case series," *Journal of Medical Case Reports*; 5(1), 6 pages. 2011. †
- Bombick, et al. Chemical and biological studies of a new cigarette that primarily heats tobacco. Part 3. In vitro toxicity of whole smoke. *Food and Chemical Toxicology*. 1998; 36:191-197. †
- Borgerding, et al. Chemical and biological studies of a new cigarette that primarily heats tobacco. Part 1. Chemical composition of mainstream smoke. *Food and Chemical Toxicology*. 1997; 36:169-182. †

(56)

References Cited

OTHER PUBLICATIONS

Bombick, et al. Chemical and biological studies of a new cigarette that primarily heats tobacco. Part 2. In vitro toxicology of mainstream smoke condensate. Food and Chemical Toxicology. 1997; 36:183-190.‡

“Guideline Accompanying Commission Regulation (EC) No. 1275/2008,” Official Journal of the European Union, Oct. 2009.‡

“Lighter.” Merriam-Webster Online Dictionary. 2009. Merriam-Webster Online. Jun. 8, 2009 [http://www.merriam-webster.com/dictionary/lighter].‡

“Pax Era Vape Sesh And Review.” Time 6:33, YouTube, 2018. Web. https://www.youtube.com/watch?v=aalXSdl6u78.‡

“Commission Regulation (EC) No. 1275/2008,” Official Journal of the European Union, Dec. 17, 2008.‡

* cited by examiner

‡ imported from a related application

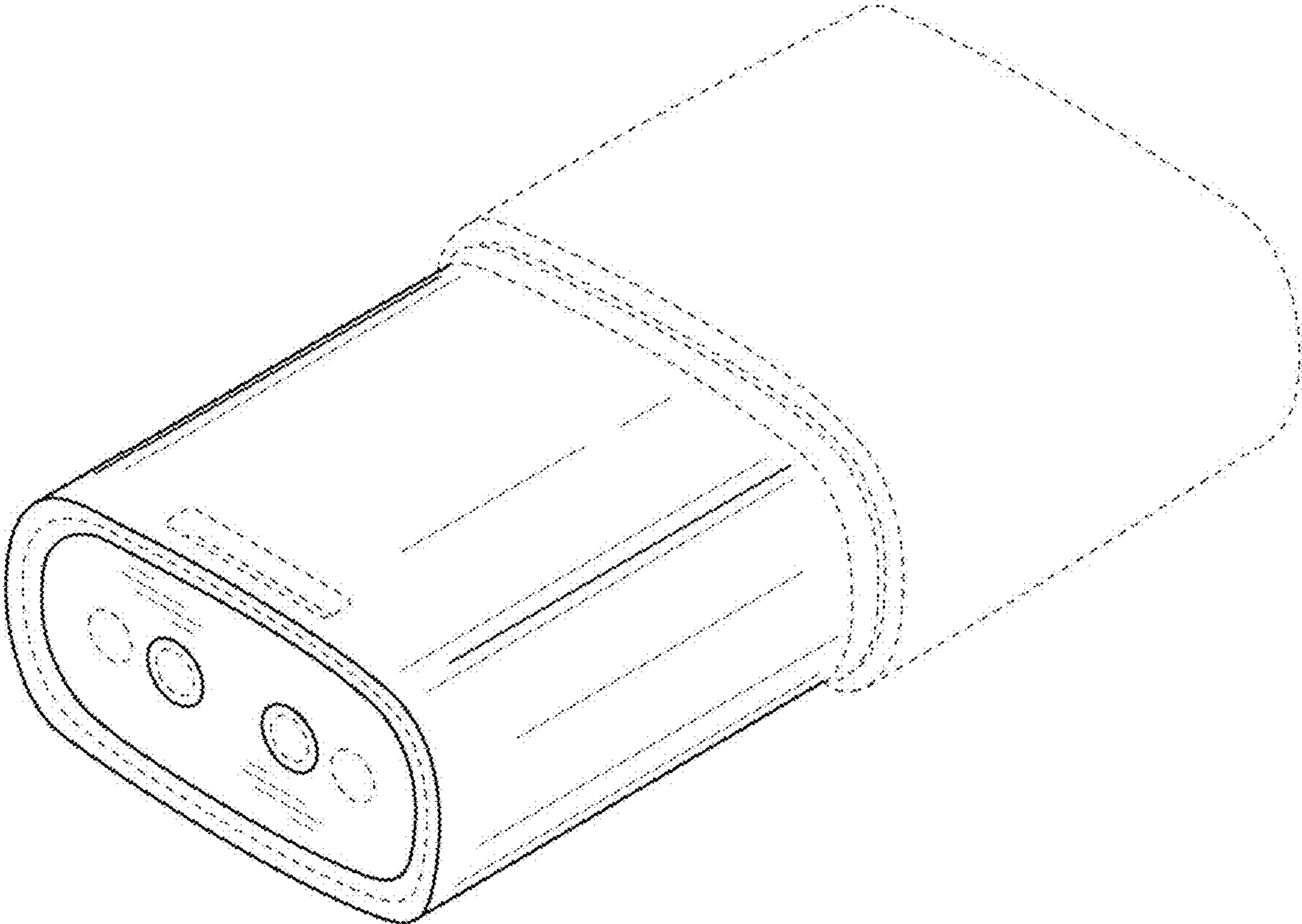


FIG. 1

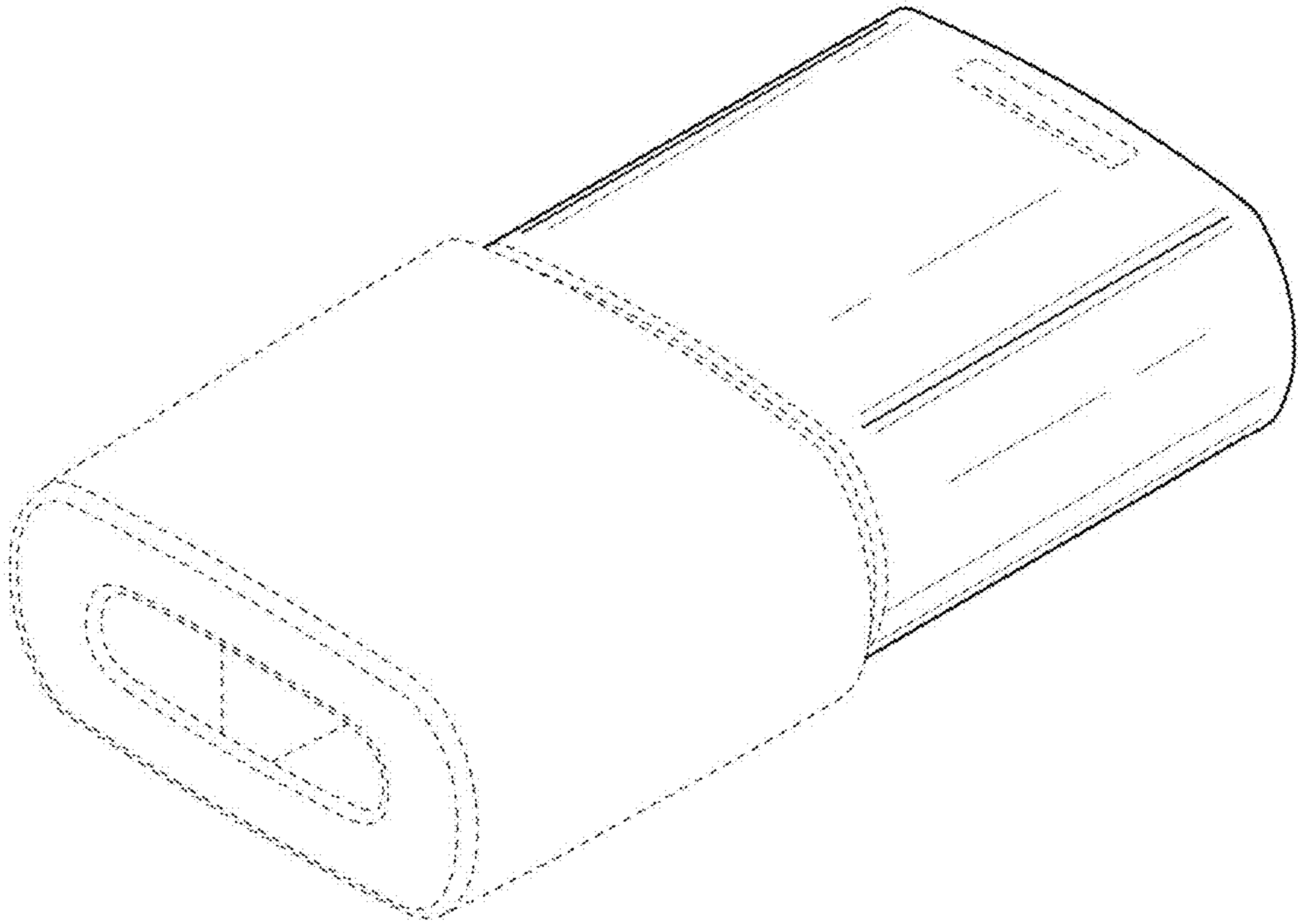


FIG. 2

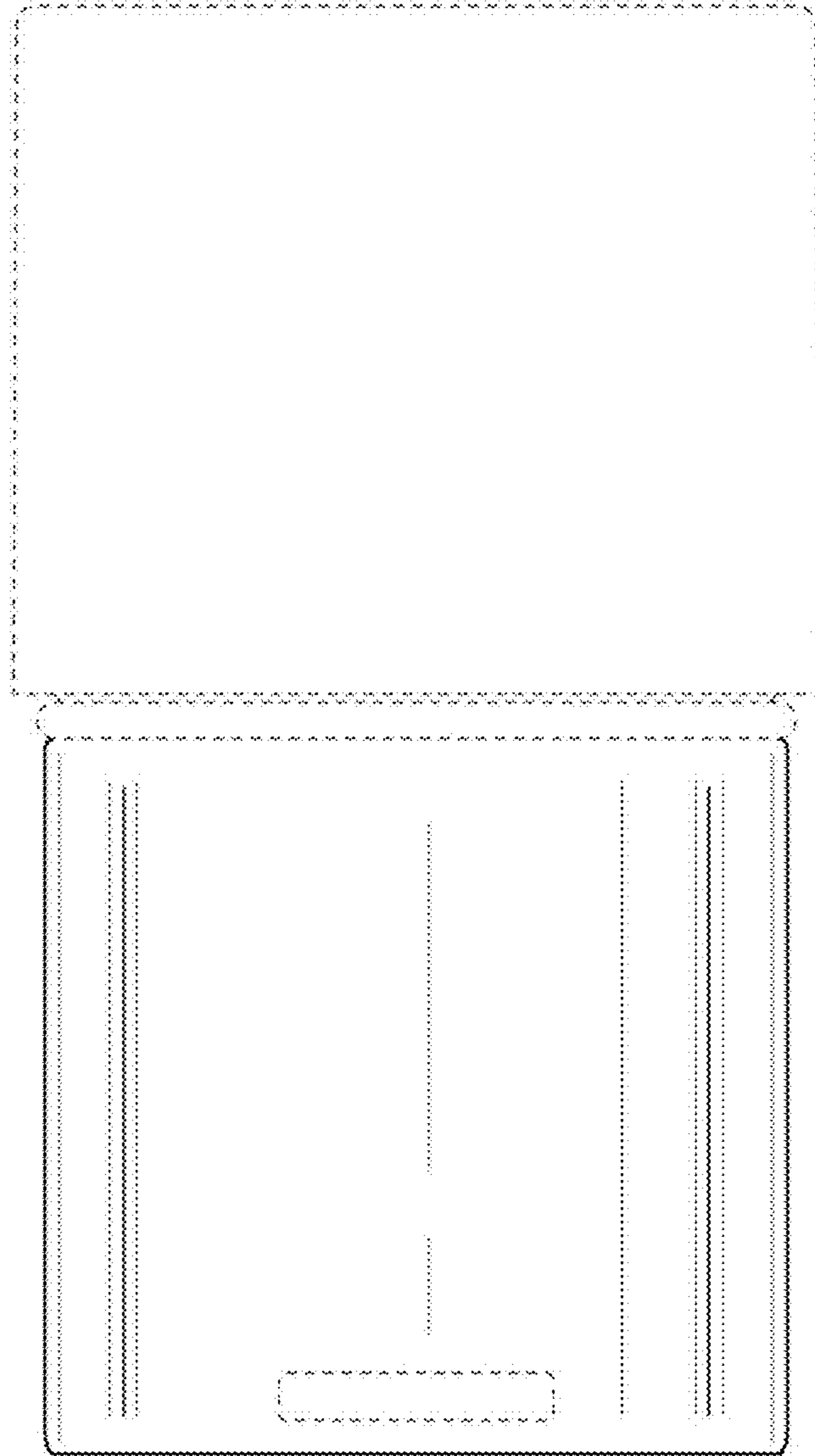


FIG. 3

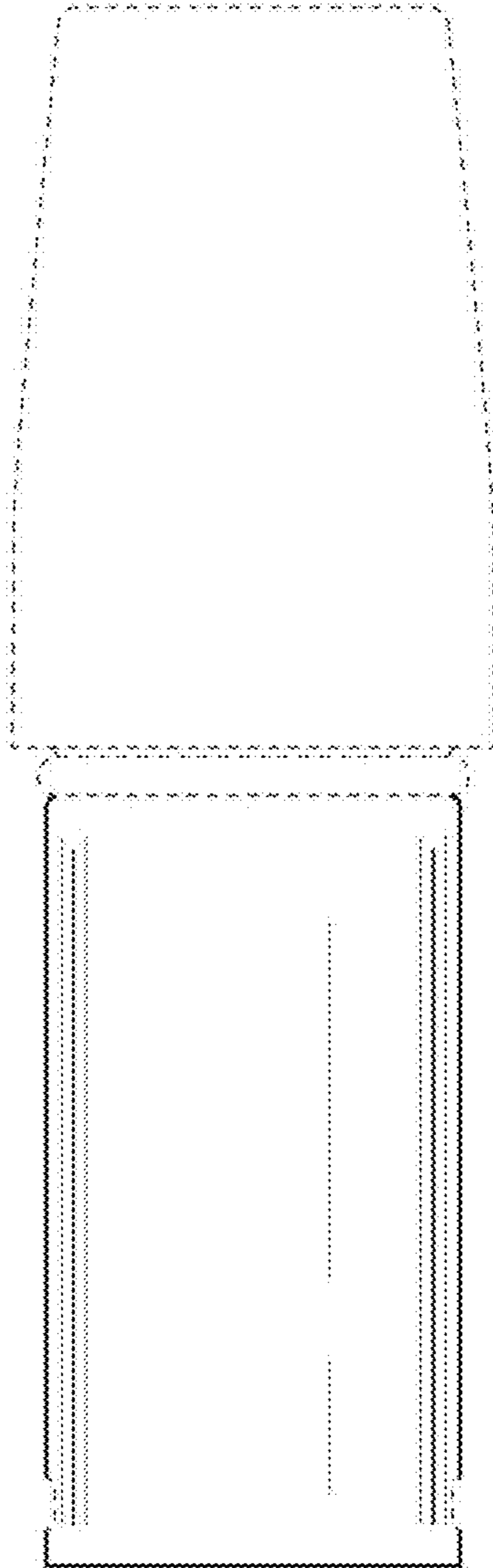


FIG. 4

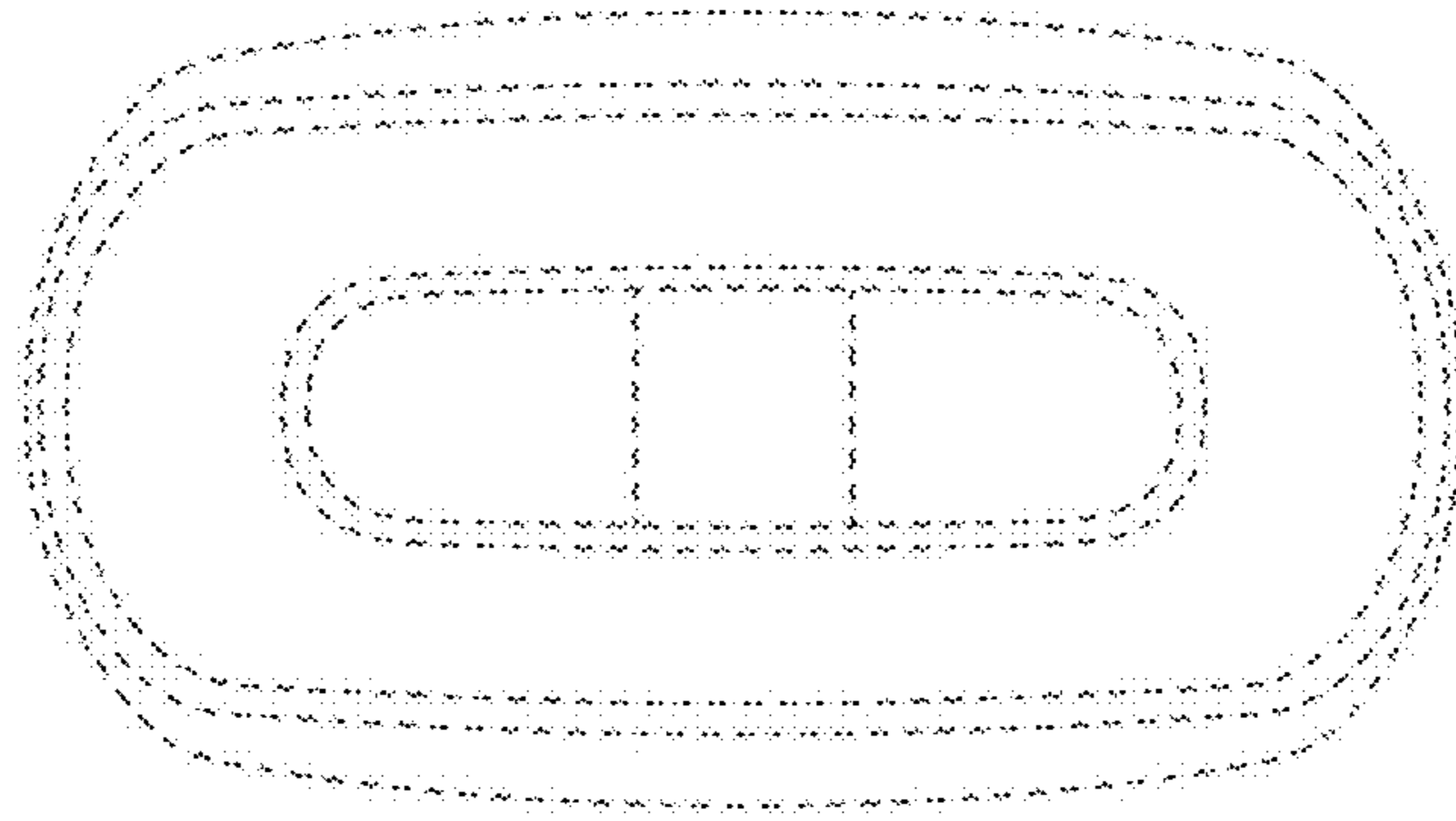


FIG. 5

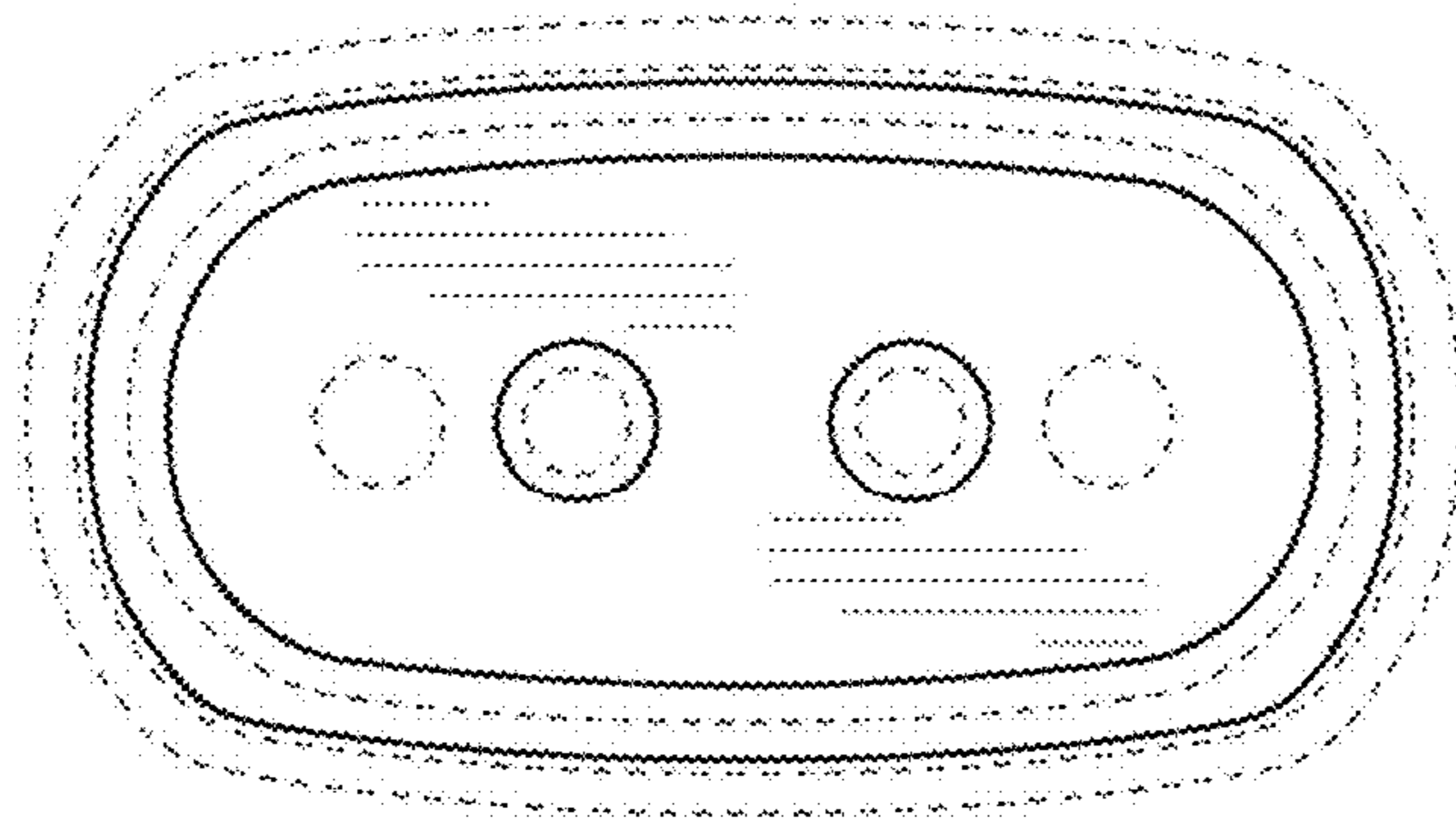


FIG. 6