



US00D927060S

(12) **United States Design Patent** (10) **Patent No.:** **US D927,060 S**
Qiu et al. (45) **Date of Patent:** **** Aug. 3, 2021**

(54) **CARTRIDGE**

(71) Applicant: **JOYTECH EUROPE HOLDING GMBH, Zug (CH)**

(72) Inventors: **Weihua Qiu, Changzhou (CN); Zhi Zhang, Changzhou (CN)**

(73) Assignee: **JOYTECH EUROPE HOLDING GMBH, Zug (CH)**

(**) Term: **15 Years**

(21) Appl. No.: **29/688,999**

(22) Filed: **Apr. 25, 2019**

(30) **Foreign Application Priority Data**

Oct. 25, 2018 (CN) 201830599137.2

(51) **LOC (13) Cl.** **27-02**

(52) **U.S. Cl.**
USPC **D27/167**

(58) **Field of Classification Search**

USPC D27/100, 101, 139, 141, 148, 157, D27/161-171, 183, 185-194; D13/108, D13/144, 103, 119, 146, 168, 218; D23/360, 364-366; D24/110, 110.5, 129, D24/113, 112; D19/925-929, 161-166, D19/173, 66, 115, 123, 177, 923, D19/194-196; D28/85, 4, 7, 88, 73-76; D3/201, 11, 13, 17, 273, 300, 202; D14/411, 480.5, 480.1, 480.3, 483, 484.1, D14/137, 250, 251, 480.7, 203.1, 203.3, D14/203.7, 218, 254, 433-435, 435.1; D9/686, 529; D8/107; D10/119.1, 119.3, D10/119.2, 57; D17/13

CPC A24F 40/00; A24F 40/40; A24F 40/42; A24F 40/05; A24F 40/46; A24F 47/002; A24F 47/008; A24D 1/14; A24D 1/042; A24D 1/02; G06F 3/03545; A61M 15/06

See application file for complete search history.

(56) **References Cited**

U.S. PATENT DOCUMENTS

D597,133 S * 7/2009 Hung D19/166
D599,805 S * 9/2009 Perrier D14/480.5
D646,574 S * 10/2011 Bore D9/529
D853,632 S * 7/2019 Qiu D27/101
D860,519 S * 9/2019 Cividi D27/162
D876,006 S * 2/2020 Qiu D27/162
D885,657 S * 5/2020 Lai D27/194
D895,199 S * 9/2020 Li D27/162
D901,756 S * 11/2020 Chen D27/101

(Continued)

FOREIGN PATENT DOCUMENTS

CN 304700899 * 6/2018
CN 304719187 * 7/2018

(Continued)

Primary Examiner — Dana K Weiland

Assistant Examiner — Mary Claire Ramirez

(74) *Attorney, Agent, or Firm* — Cheng-Ju Chiang

(57) **CLAIM**

The ornamental design for a cartridge, as shown and described.

DESCRIPTION

FIG. 1 is a top, right front perspective view of a cartridge showing our new design;

FIG. 2 is a bottom, left back perspective view thereof;

FIG. 3 is a front view thereof;

FIG. 4 is a rear view thereof;

FIG. 5 is a left-side view thereof;

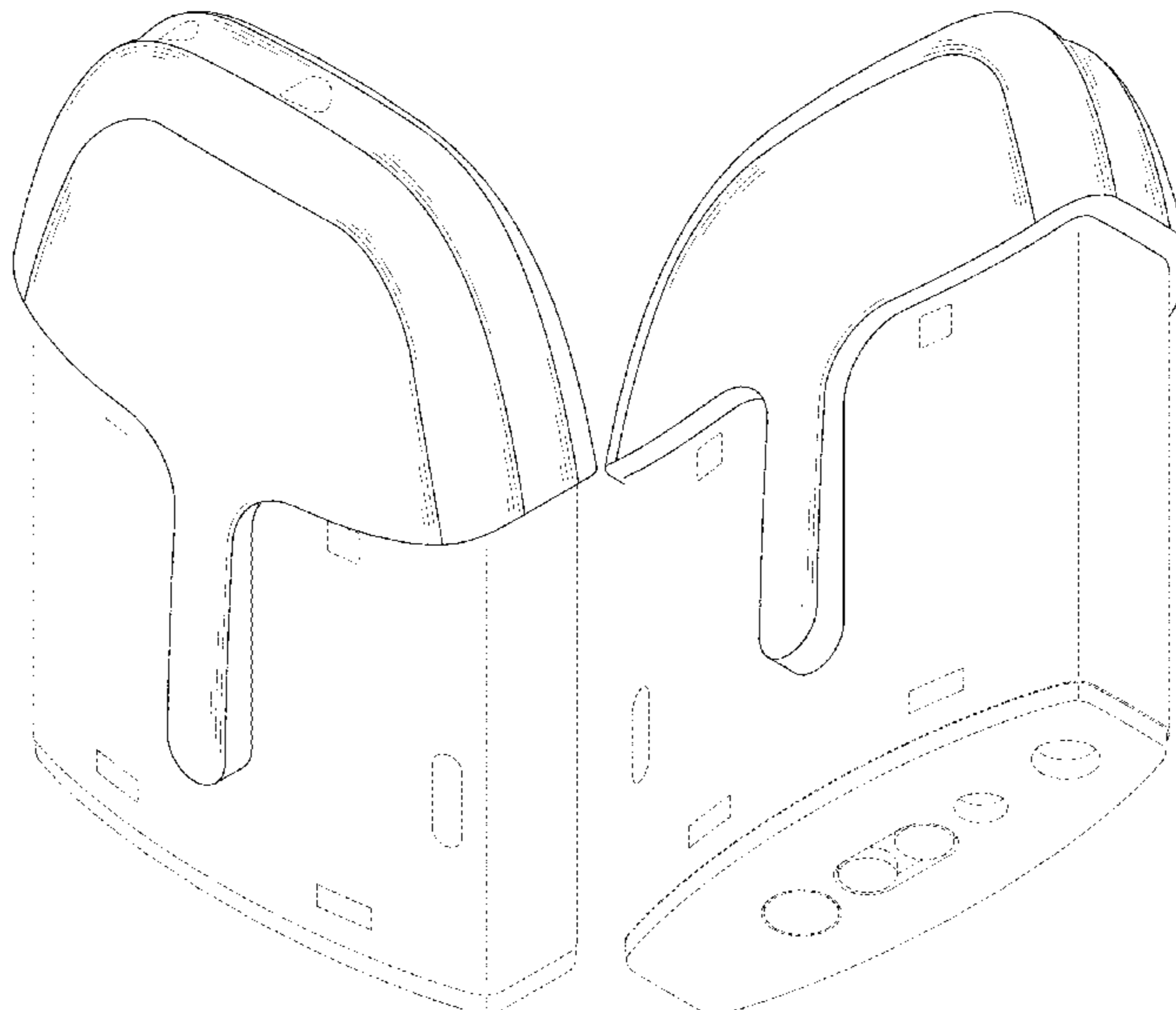
FIG. 6 is a right-side view thereof;

FIG. 7 is a top view thereof; and,

FIG. 8 is a bottom view thereof.

The broken lines shown in the drawings depict portions of the cartridge that form no part of the claimed design.

1 Claim, 6 Drawing Sheets



(56)

References Cited

U.S. PATENT DOCUMENTS

D902,473 S * 11/2020 Li D27/101
D912,890 S * 3/2021 Liu D27/162
D918,467 S * 5/2021 Wang D27/162
2019/0037926 A1* 2/2019 Qiu A24F 47/008

FOREIGN PATENT DOCUMENTS

CN 304754403 * 7/2018
CN 305029957 * 2/2019
CN 305089124 * 3/2019

* cited by examiner

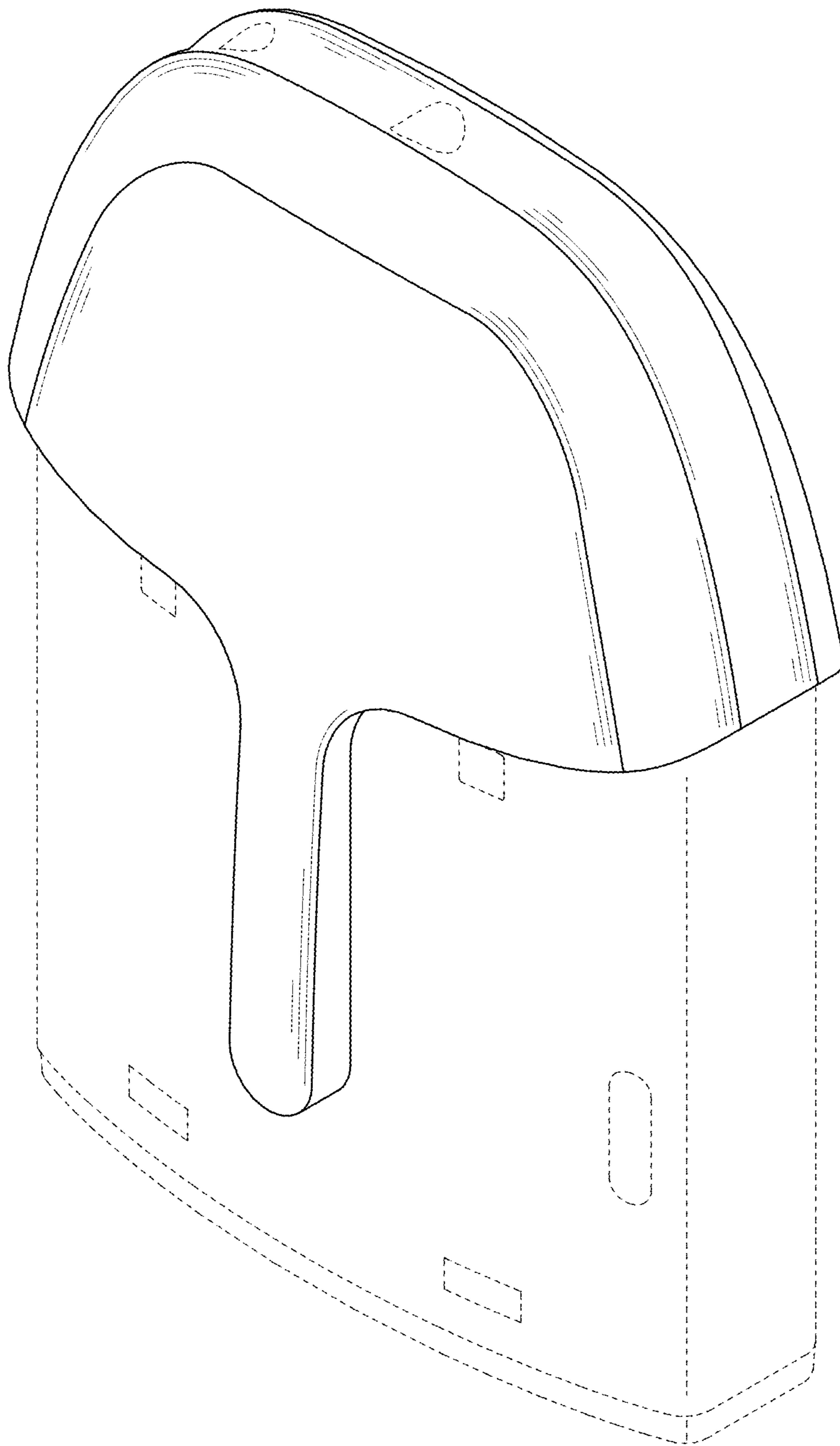


FIG. 1

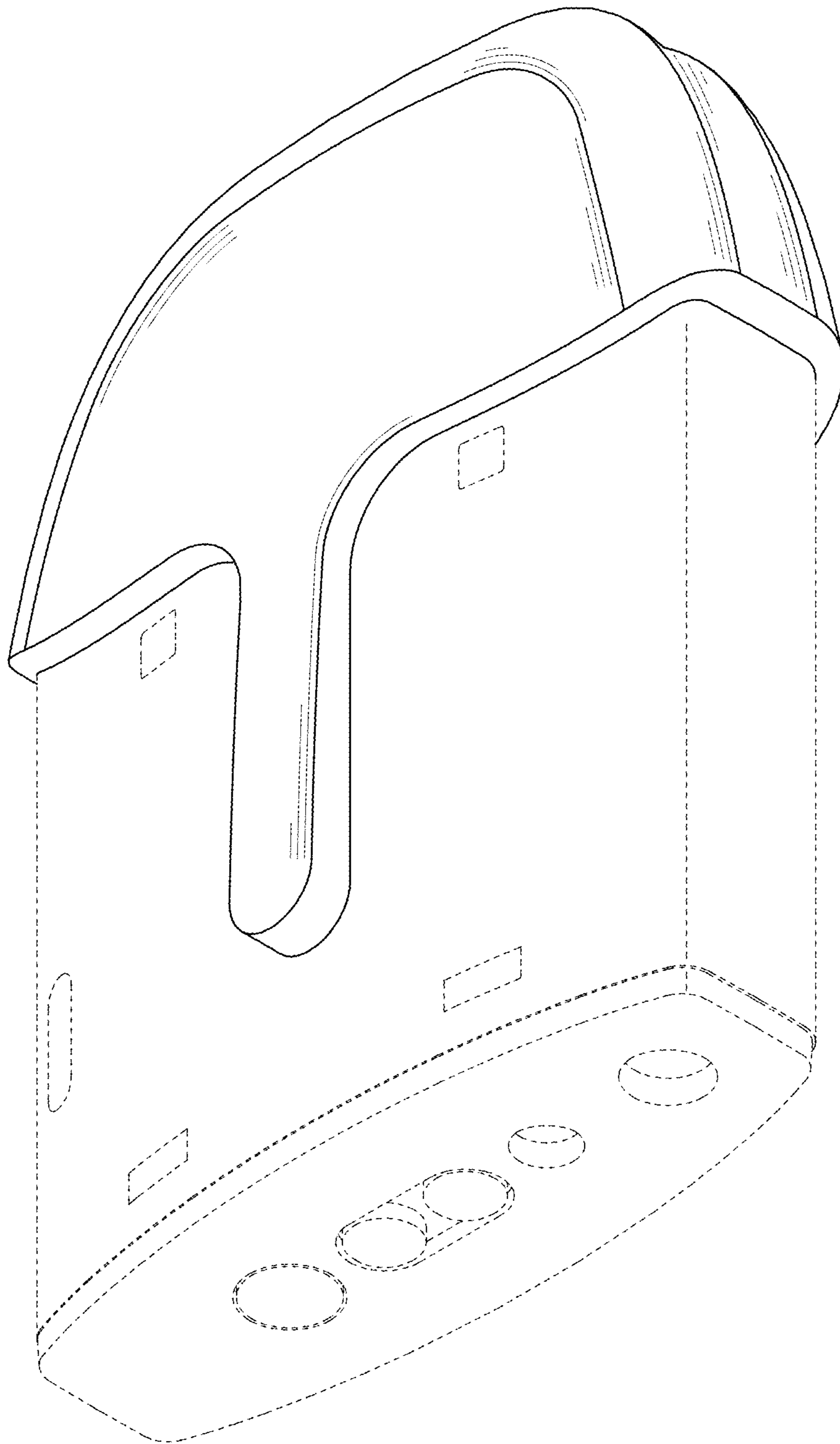


FIG. 2

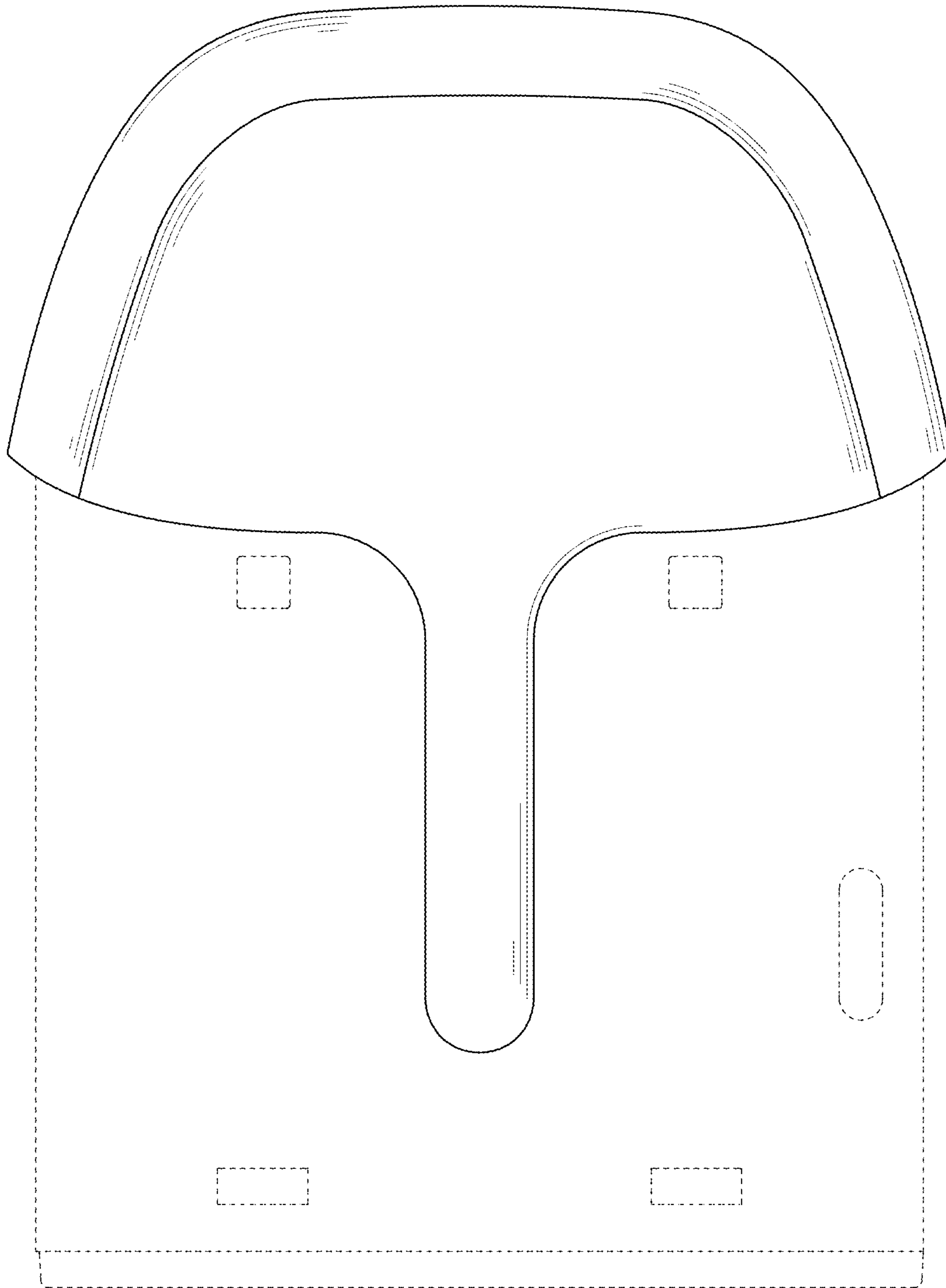


FIG. 3

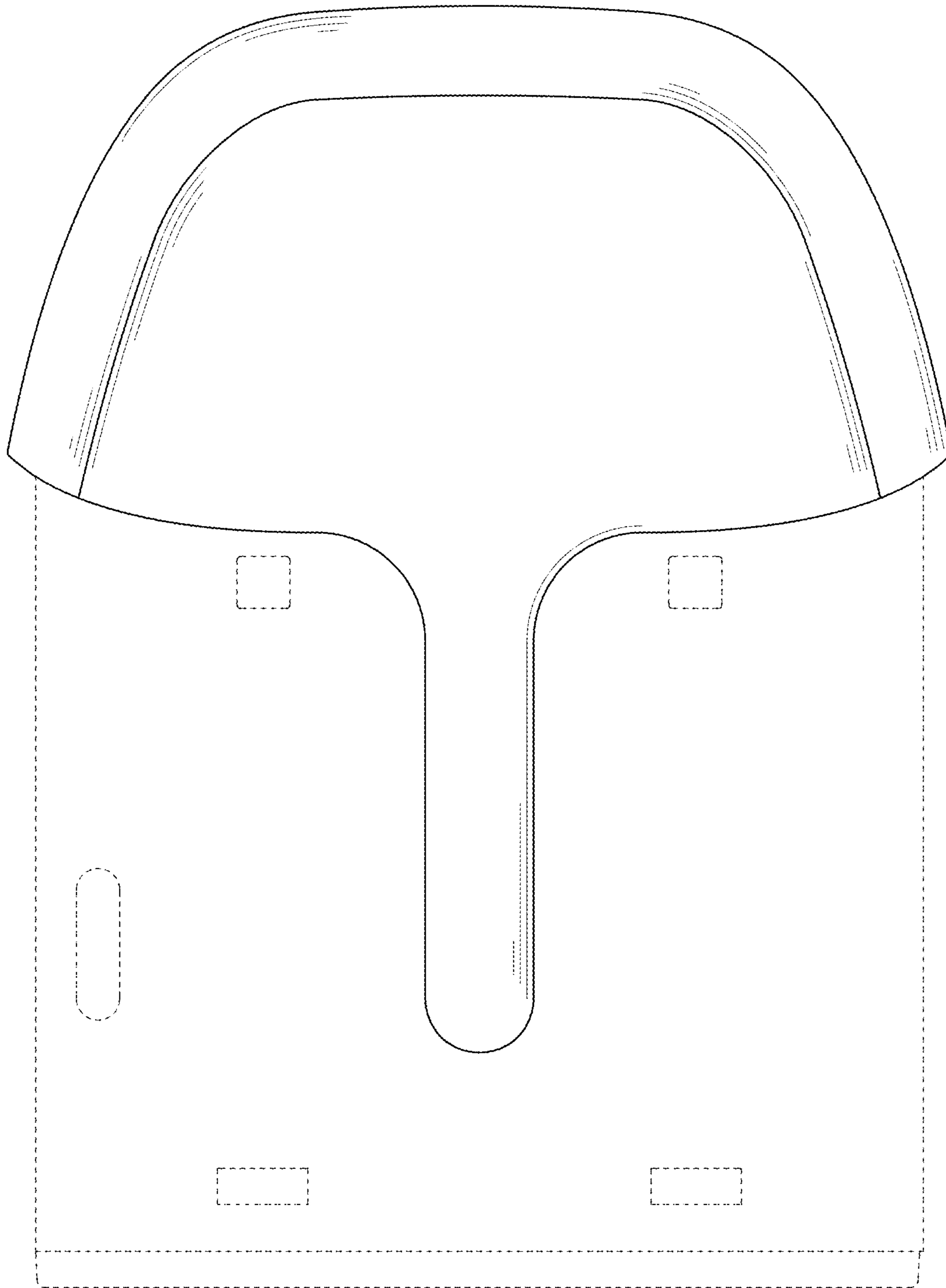


FIG. 4

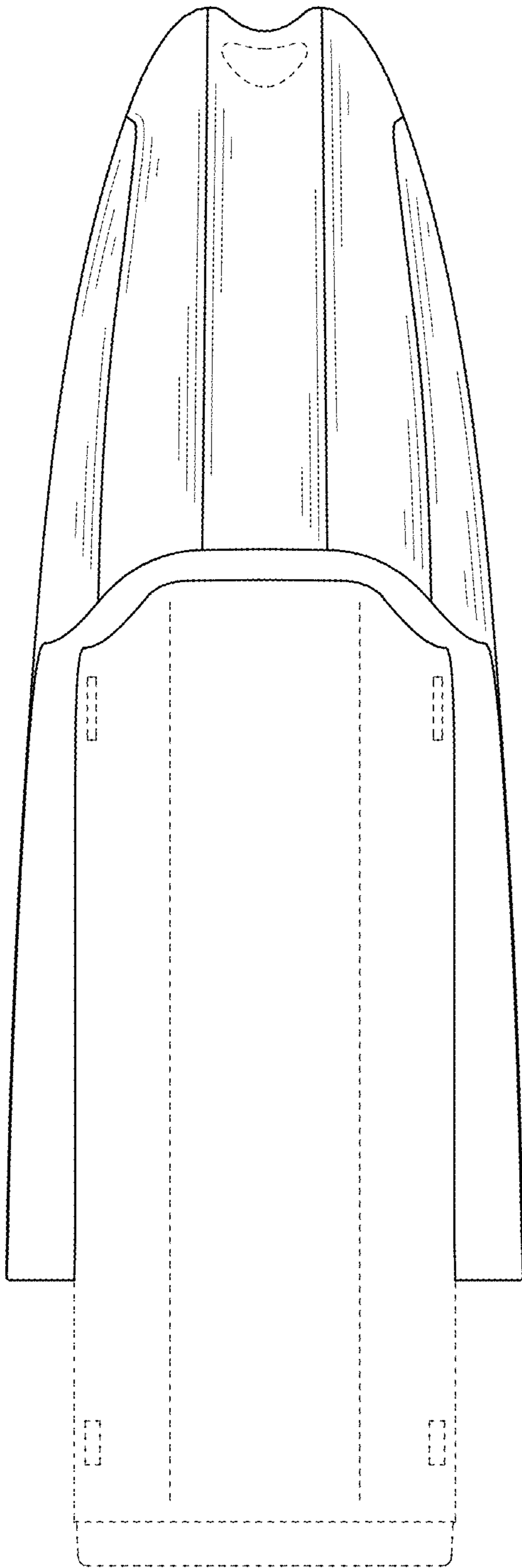


FIG. 5

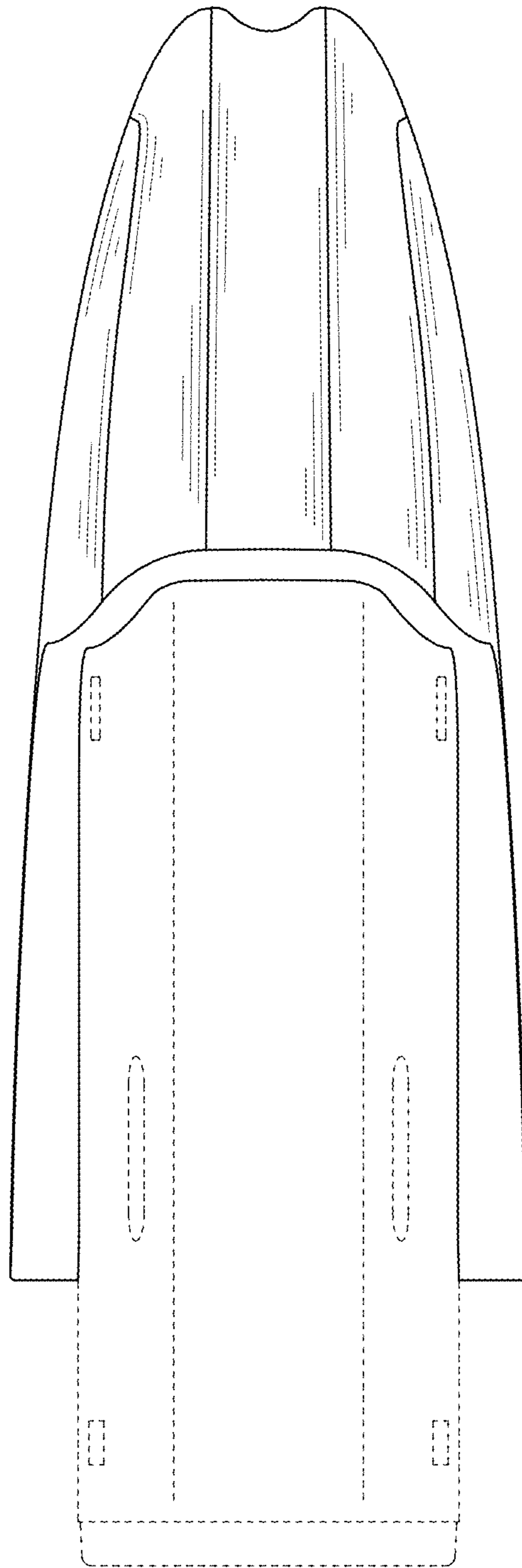


FIG. 6

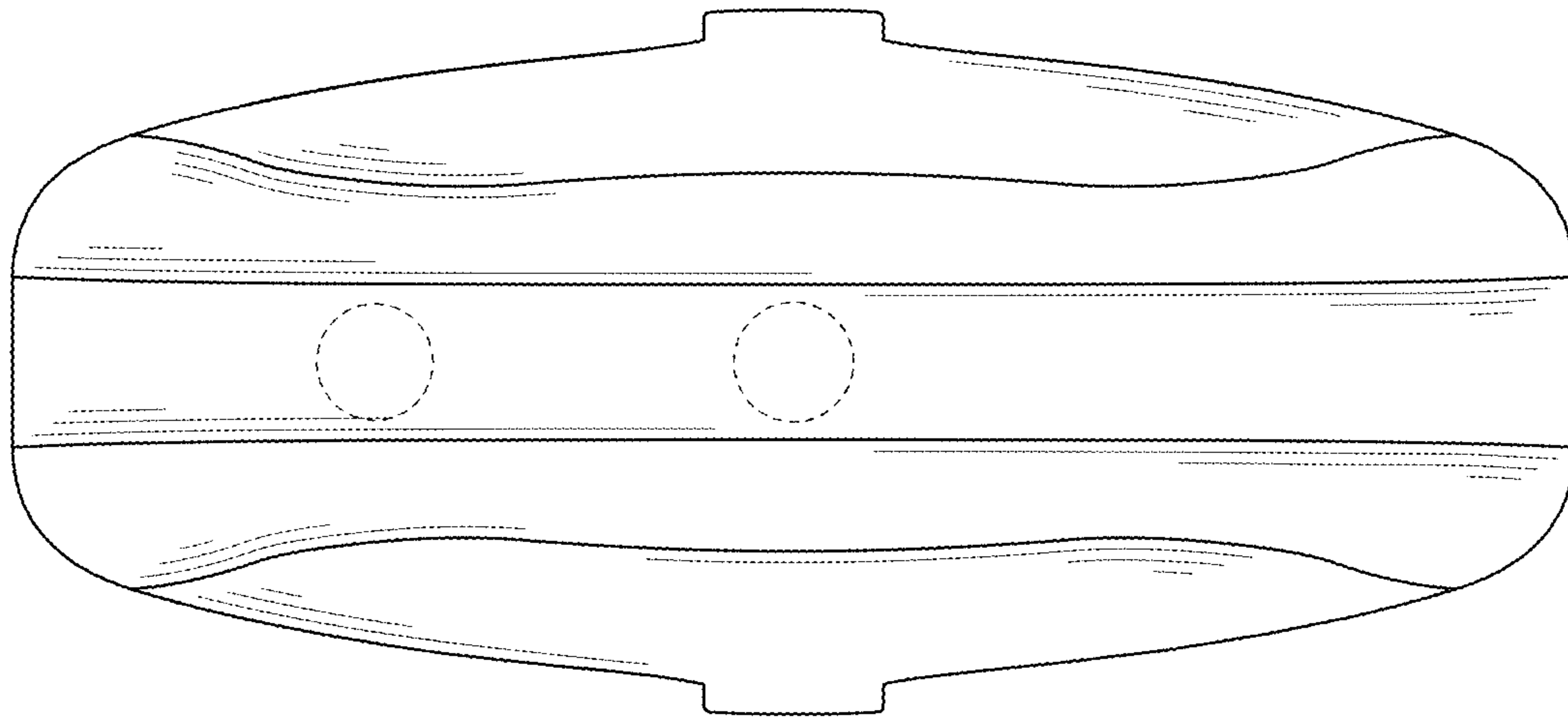


FIG. 7

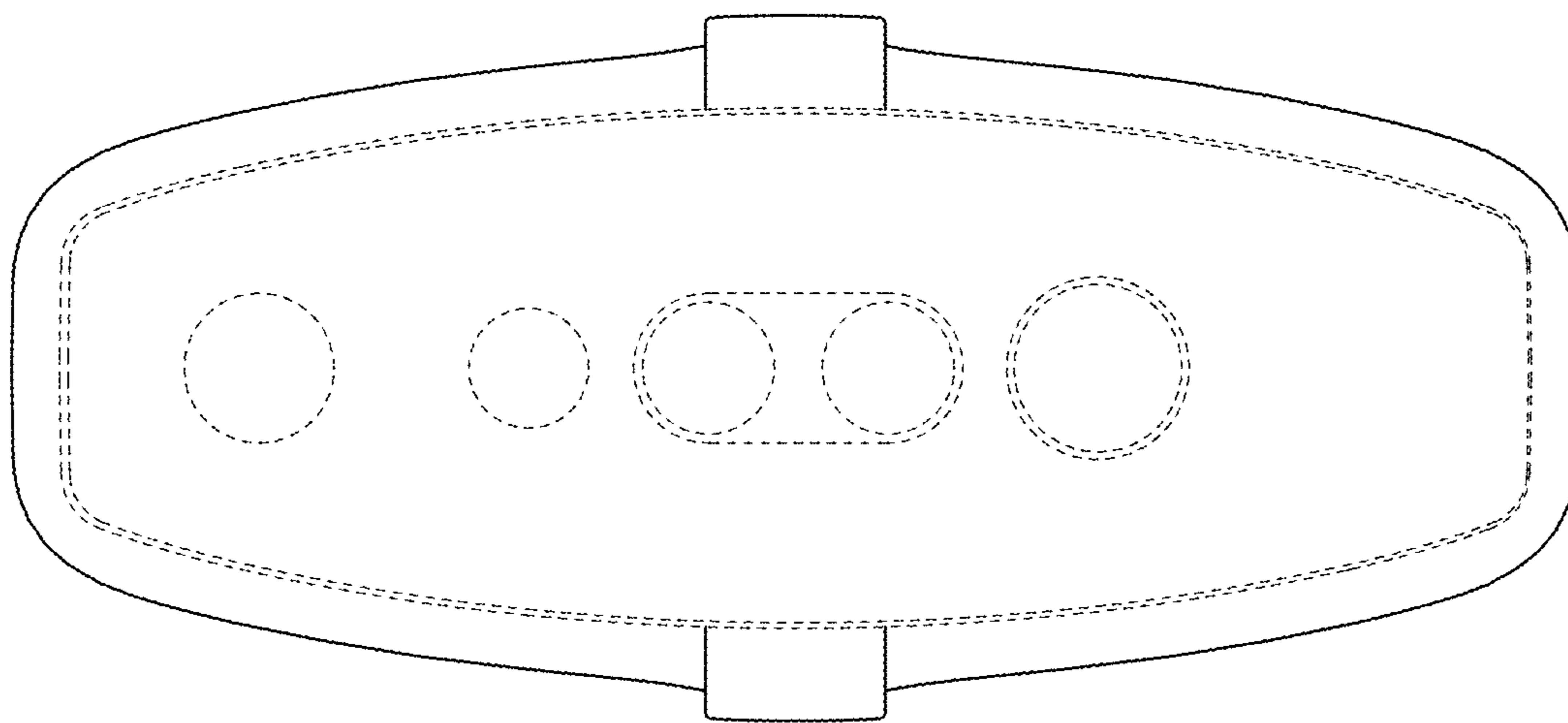


FIG. 8