



US00D927056S

(12) **United States Design Patent** (10) **Patent No.:** **US D927,056 S**  
**Zeng** (45) **Date of Patent:** **\*\* Aug. 3, 2021**

(54) **E-CIGARETTE**

(71) Applicant: **BINGWU TECHNOLOGY**  
**(SHENZHEN) CO., LTD.**, Shenzhen  
(CN)

(72) Inventor: **Xiaomeng Zeng**, Shenzhen (CN)

(73) Assignee: **BINGWU TECHNOLOGY**  
**(SHENZHEN) CO., LTD.**, Shenzhen  
(CN)

(\*\*) Term: **15 Years**

(21) Appl. No.: **29/721,243**

(22) Filed: **Jan. 19, 2020**

(30) **Foreign Application Priority Data**

Dec. 2, 2019 (CN) ..... 201930668681.2

(51) **LOC (13) Cl.** ..... **27-02**

(52) **U.S. Cl.**  
USPC ..... **D27/162**

(58) **Field of Classification Search**

USPC ..... D27/100, 101, 139, 141, 162, 163, 164,  
D27/165, 166, 167, 168, 169, 170, 171,  
D27/172, 173, 174, 175, 176, 177, 178,  
D27/179, 180, 181, 182, 183, 184, 185,  
D27/186, 187, 188, 189, 190, 191, 192,  
D27/193, 194, 196; D23/360, 362;  
D24/110, 110.4, 110.5, 110.6, 113

CPC ..... A24F 40/10; A24F 40/40; A24F 40/46;  
A24F 40/44; A24F 40/50; A24F 40/485;  
A24F 40/60; A24F 40/90; A24F 40/53;  
A24F 40/70; A24F 40/51; A24F 40/05;  
A24F 40/48; A24F 40/57; A24F 40/65;  
A24F 40/20; A24F 47/002; A24F 40/30;  
A24F 40/95; A24F 47/004; A24F 13/14;  
A24F 1/32; A24F 40/00; A24F 40/49;  
A24F 42/60; A24F 7/04; A24F 9/16;  
A24F 47/008; A24F 40/42; A24F 47/00;  
A24F 15/015; A24F 1/02; A24F 2700/03;

A24F 40/465; A24F 47/006; A24F 7/02;  
A24F 13/00; A24F 15/01; A24F 15/12;  
A24F 15/14; A24F 15/18; A24F 40/85;  
A24F 42/00; A24F 42/10; A24F 42/20;  
A24F

(Continued)

(56) **References Cited**

U.S. PATENT DOCUMENTS

D479,712 S \* 9/2003 Ng ..... D14/203.3  
D623,192 S \* 9/2010 Peng ..... D14/480.6

(Continued)

FOREIGN PATENT DOCUMENTS

CN 201830545145.9 \* 1/2019  
CN 201930127028.5 \* 10/2019

(Continued)

*Primary Examiner* — Marissa J Cash  
*Assistant Examiner* — William B Melliar

(57) **CLAIM**

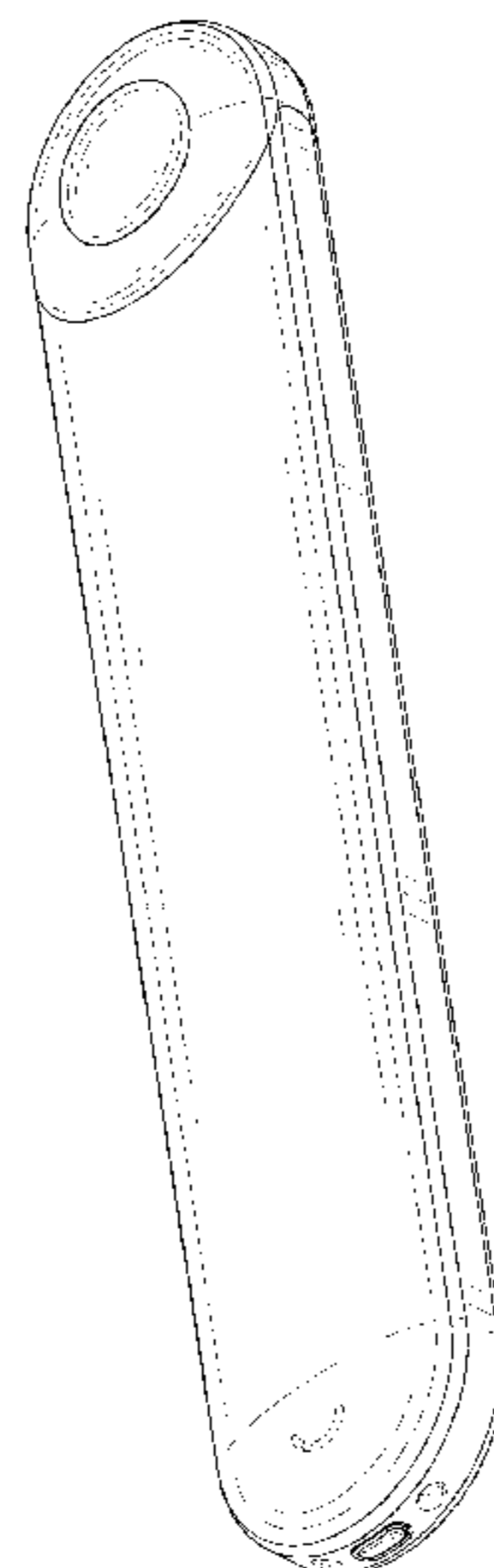
The ornamental design for a e-cigarette, as shown and described.

**DESCRIPTION**

FIG. 1 is a perspective view of a e-cigarette showing my new design;  
FIG. 2 is another perspective view thereof;  
FIG. 3 is a front elevational view thereof;  
FIG. 4 is a rear elevational view thereof;  
FIG. 5 is a left side elevational view thereof;  
FIG. 6 is a right side elevational view thereof;  
FIG. 7 is a top plan view thereof;  
FIG. 8 is a bottom plan view thereof; and,  
FIG. 9 is an enlarged view of bottom plan view shown in FIG. 8.

The broken lines in the drawings depict portions of the e-cigarette that form no part of the claimed design.

**1 Claim, 9 Drawing Sheets**



(58) **Field of Classification Search**

CPC .... 7/00; A61M 11/005; A61M 11/042; A61M 11/041; A61M 15/06; A61M 2205/8206; A61M 15/0021; A61M 15/025; A61M 11/001; A61M 11/02; A61M 2016/0021; A61M 2202/064; A61M 11/00; A61M 15/0085; A61M 15/009; A61M 15/00; A61M 15/0086; A61M 11/06; A61M 15/0018; A61M 2205/3569; A61M 2205/52; A61M 2205/6045; A61M 2205/6054; A61M 2205/6072; A61M 2205/70; A61M 2205/8262; A61M 2206/14; A61M 2206/16; A61M 2206/18; A61M 2207/00; A61M 2209/082; A61M 11/04; A61M 11/044; A61M 15/0001; A61M 15/0008; A61M 15/0016; A61M 15/0036; A61M 15/0041; A61M 15/0043; A61M 15/0045; A61M 15/0048; A61M 15/0066; A61M 15/02; A61M 16/0066; A61M 16/0627; A61M 16/147; A61M 16/201; A61M 2016/0015; A61M 2202/062; A61M 2205/075; A61M 2205/123; A61M 2205/128; A61M 2205/21; A61M 2205/273; A61M 2205/276; A61M 2205/3306; A61M 2205/3372; A61M 2205/583; A61M 2205/75; A61M 2205/7545; A61M

2205/8237; A61M 2205/8268; A61M 2205/84; A61M 2209/06; A61M 2209/10; A61M 2210/0612; A61M 2210/0618; A61M 2210/1039; A61M 2250/00

See application file for complete search history.

(56)

**References Cited**

U.S. PATENT DOCUMENTS

D861,973	S	*	10/2019	Qiu	.....	D27/101
D870,369	S	*	12/2019	Greenbaum	.....	D27/162
D901,756	S	*	11/2020	Chen	.....	D27/101
D901,761	S	*	11/2020	Zhu	.....	D27/162
D902,476	S	*	11/2020	Liu	.....	D27/162
D903,191	S	*	11/2020	Li	.....	D27/101
D904,680	S	*	12/2020	Pan	.....	D27/162
D908,953	S	*	1/2021	Fornarelli	.....	D27/162

FOREIGN PATENT DOCUMENTS

CN	201930297934.X	*	2/2020
CN	201930447508.X	*	2/2020
CN	201930387540.3	*	3/2020
CN	201930565861.8	*	5/2020
CN	202030013905.9	*	6/2020
CN	202030225242.7	*	9/2020
CN	202030494472.3	*	2/2021
CN	202030495022.6	*	2/2021
KR	3020200001571	*	10/2020

\* cited by examiner

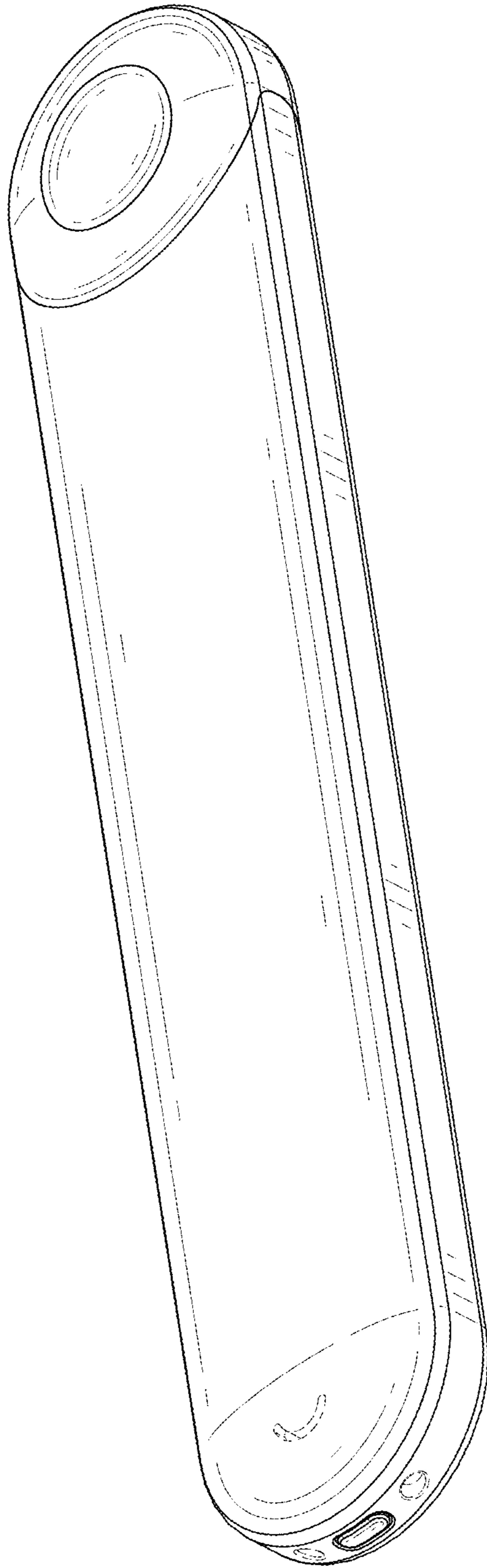


FIG. 1

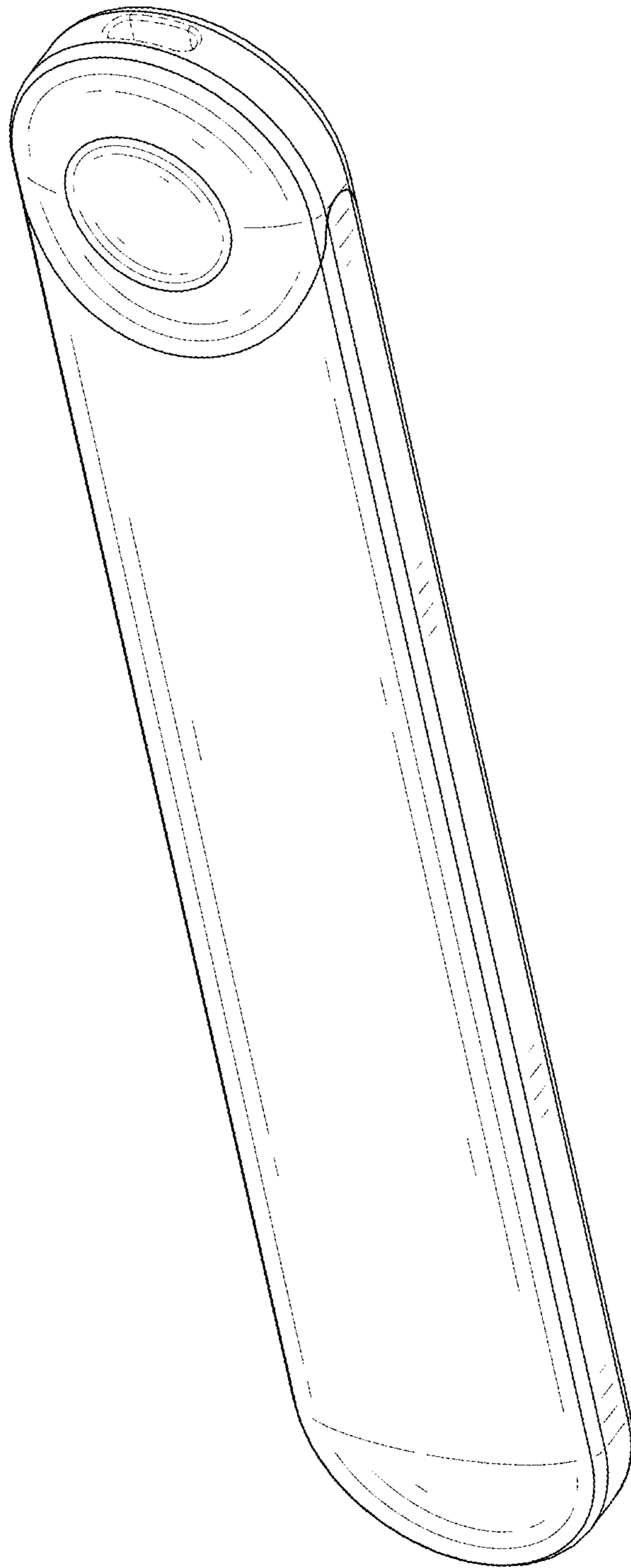


FIG. 2

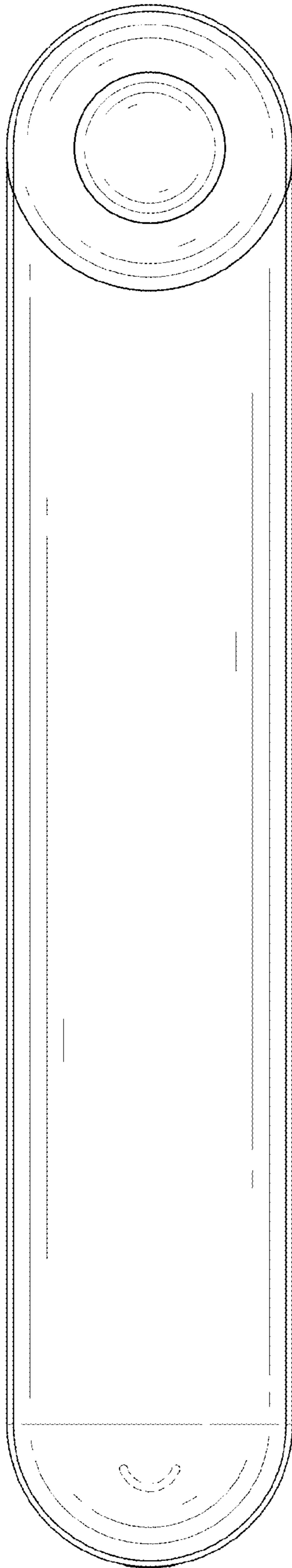


FIG. 3

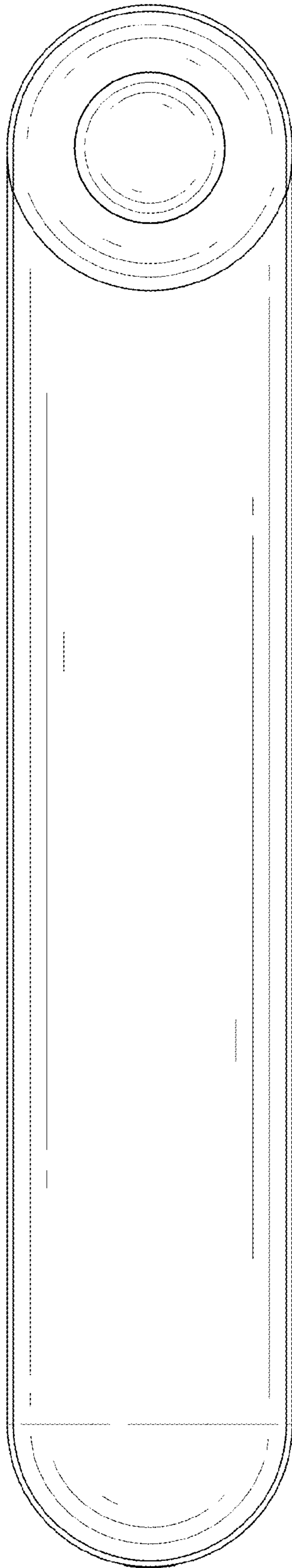


FIG. 4

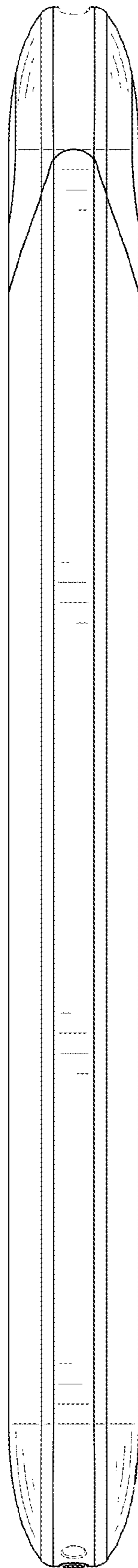


FIG. 5

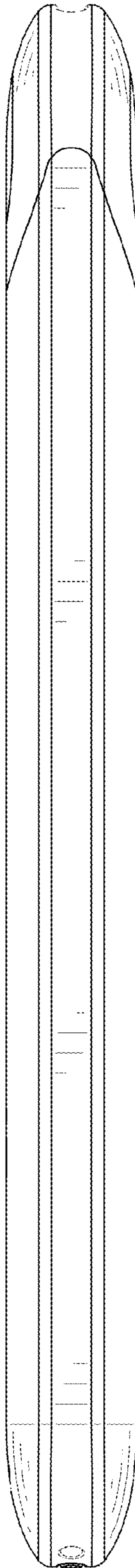


FIG. 6



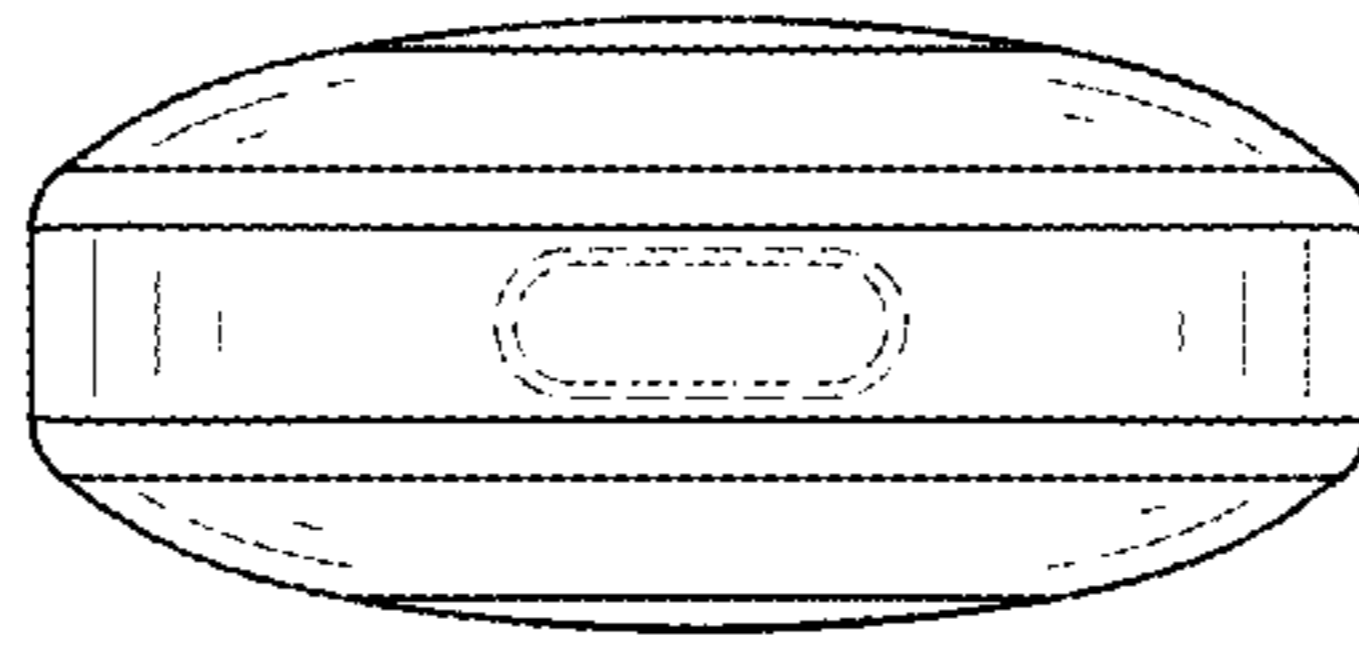


FIG. 7

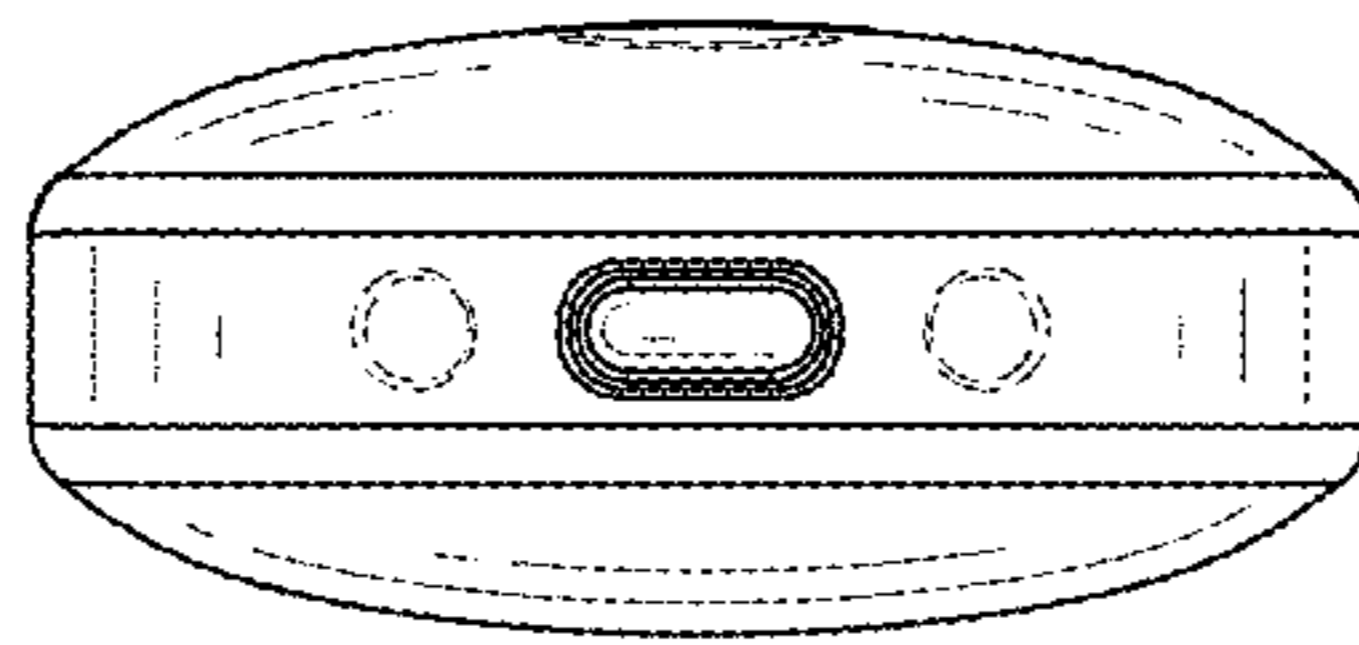


FIG. 8

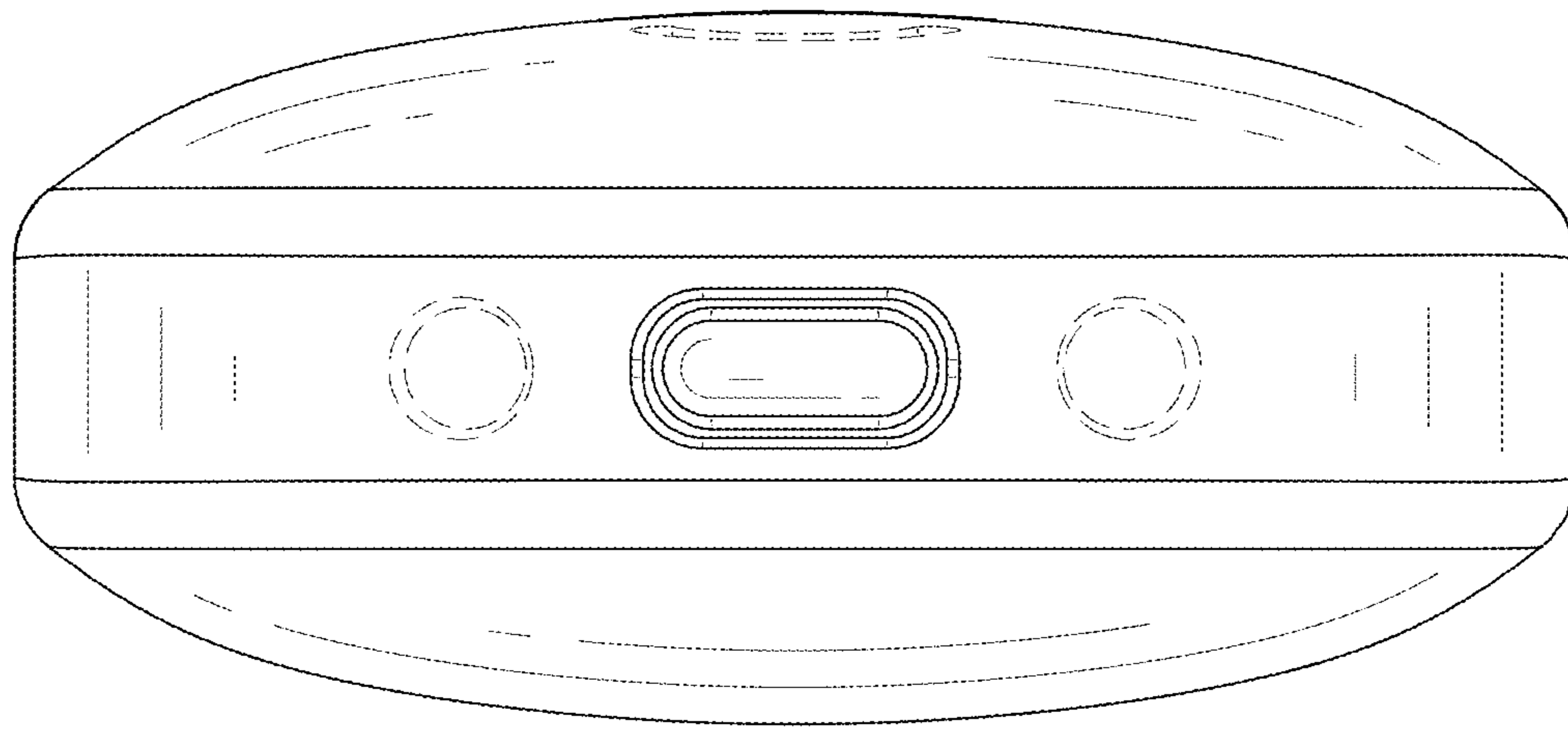


FIG. 9