



US00D927055S

(12) **United States Design Patent** (10) **Patent No.:** **US D927,055 S**
Opp et al. (45) **Date of Patent:** **** Aug. 3, 2021**

(54) **SMOKING STRAW**

(71) Applicants: **Robin Opp**, Canyon Lake, CA (US);
Robert Nawrocki, Las Vegas, NV (US)

(72) Inventors: **Robin Opp**, Canyon Lake, CA (US);
Robert Nawrocki, Las Vegas, NV (US)

(**) Term: **15 Years**

(21) Appl. No.: **29/712,872**

(22) Filed: **Nov. 12, 2019**

(51) **LOC (13) Cl.** **27-02**

(52) **U.S. Cl.**
USPC **D27/162**

(58) **Field of Classification Search**
USPC D27/162, 100, 101, 163–165, 172,
D27/180–183, 185–194; D24/110, 110.5
CPC A24F 1/30; A24F 1/00; A24F 1/14; A24F
1/12; A24F 1/02; F21V 29/506; F21S
8/00; B01L 3/21; B01L 3/22; B01L 3/02
See application file for complete search history.

(56) **References Cited**

U.S. PATENT DOCUMENTS

D244,473	S	*	5/1977	Karl	D27/162
D247,255	S	*	2/1978	Frost	D27/162
D248,671	S	*	7/1978	Graham	D27/162
D262,145	S	*	12/1981	Sher	D27/162
D355,728	S	*	2/1995	Newman	D27/162
D368,325	S	*	3/1996	Heine	D27/162
D638,984	S	*	5/2011	Gould	D27/163
D754,392	S	*	4/2016	Helou	D27/162
D755,439	S	*	5/2016	Helou	D27/162
D846,187	S	*	4/2019	Hoch	D27/162
D854,740	S	*	7/2019	Opp	D27/162
10,376,657	B2	*	8/2019	Jones	A24D 3/08
10,499,687	B1	*	12/2019	Cook	A24F 1/30

D875,881	S	*	2/2020	Kremerman	D23/207
10,820,627	B2	*	11/2020	Jandron	A24F 1/02
D910,230	S	*	2/2021	Peirce	D27/101
2012/0012723	A1	*	1/2012	Mansfield	A24F 1/30 248/230.8

OTHER PUBLICATIONS

Smoking Pipe By: AliExpress found on line Jan. 20, 2021 <https://www.aliexpress.com/item/4000037521408.html>.*

* cited by examiner

Primary Examiner — Marissa J Cash
Assistant Examiner — Rebecca Tsehaye
(74) *Attorney, Agent, or Firm* — Quickpatents, LLC;
Kevin Prince

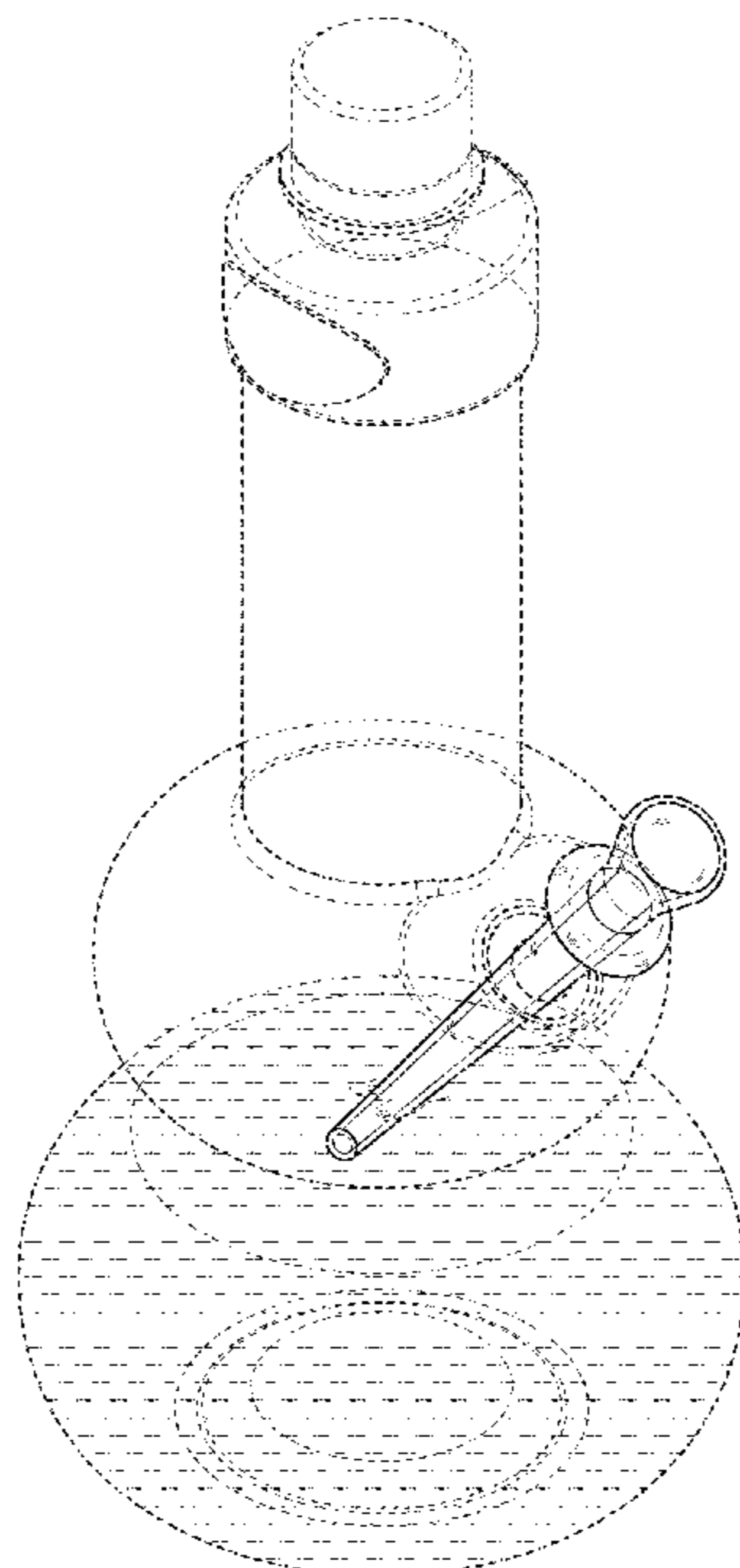
(57) **CLAIM**

The ornamental design for a smoking straw, as shown and described.

DESCRIPTION

FIG. 1 is a perspective view of a smoking straw, showing our new design;
FIG. 2 is an enlarged perspective view thereof, shown removed from environment for clarity of disclosure;
FIG. 3 is a front elevational view thereof, the rear elevational view, left-side elevational view, and right-side elevational view all being identical thereto;
FIG. 4 is a top plan view thereof;
FIG. 5 is a bottom plan view thereof; and,
FIG. 6 is a cross-sectional view thereof, taken along lines 6-6 of FIG. 4.
The broken lines showing a smoking pipe in FIG. 1 depict environmental matter and form no part of the claimed design.

1 Claim, 4 Drawing Sheets



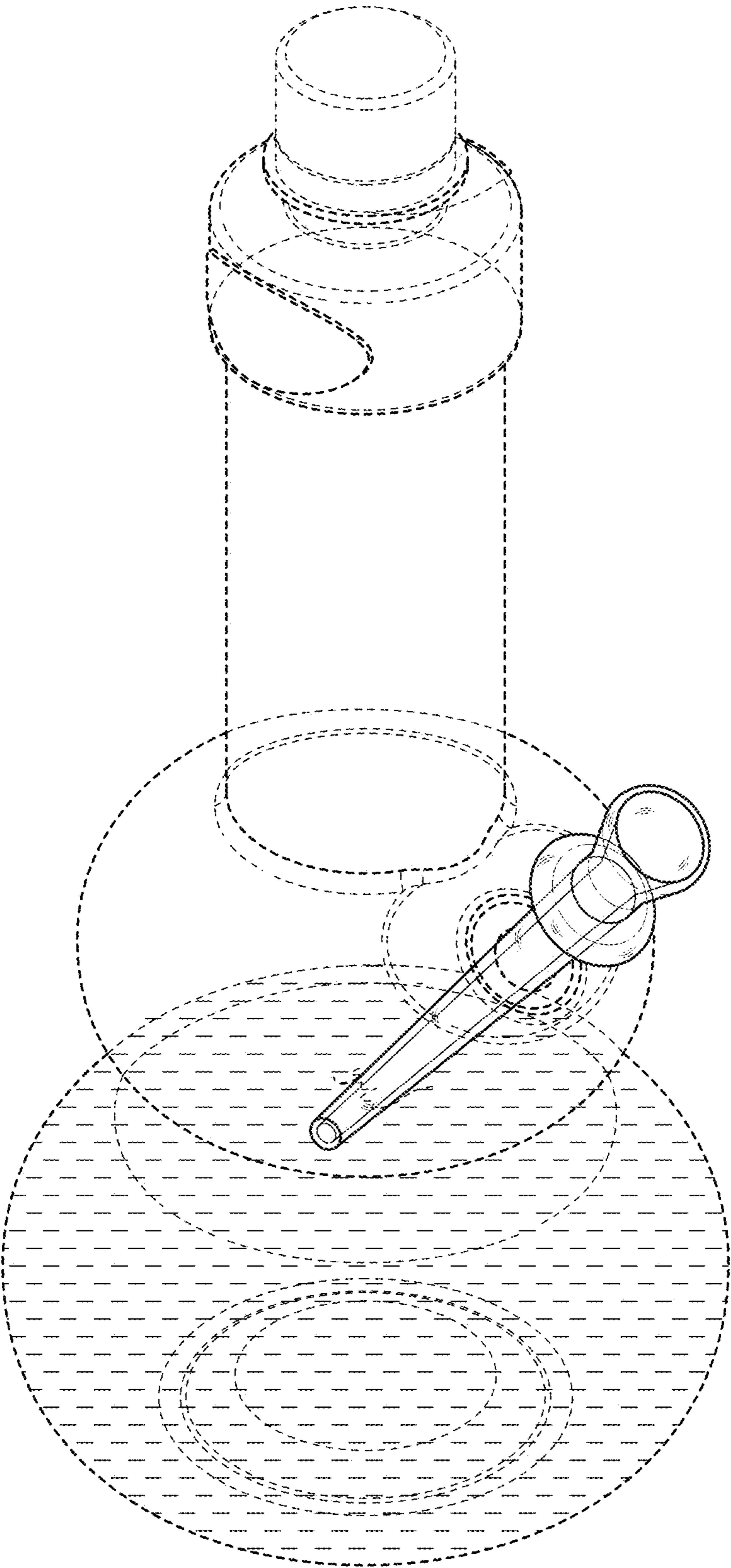


FIG. 1

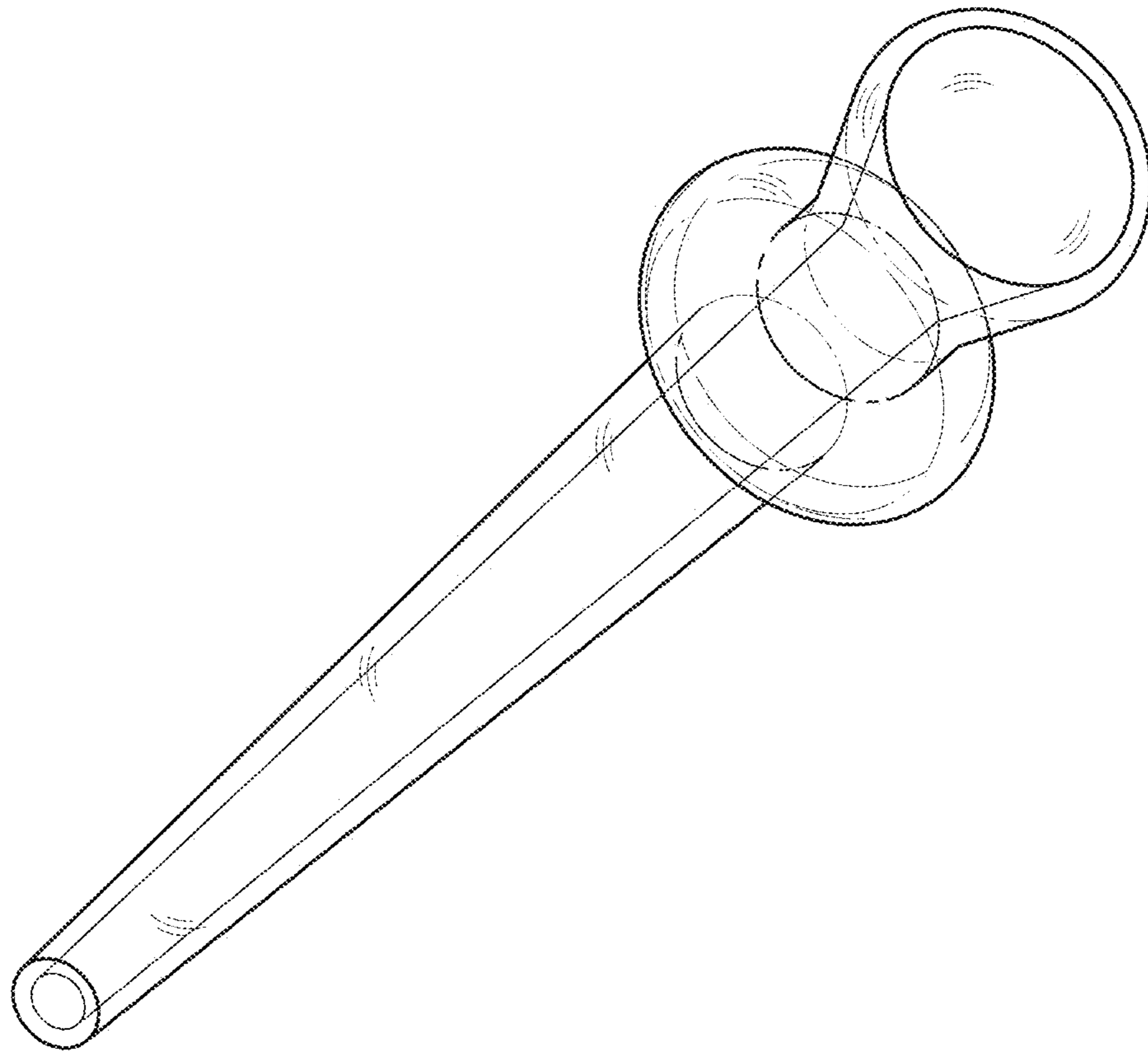


FIG. 2

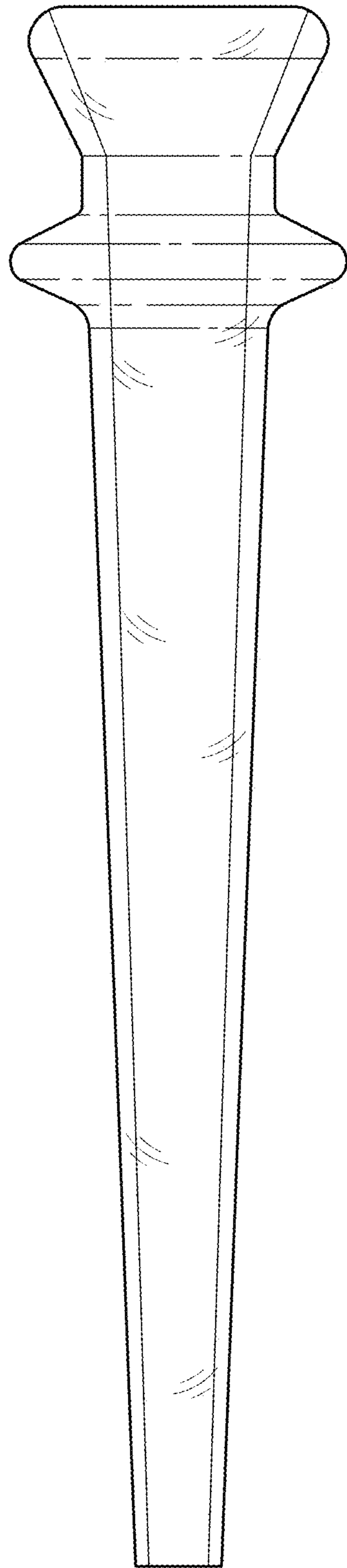
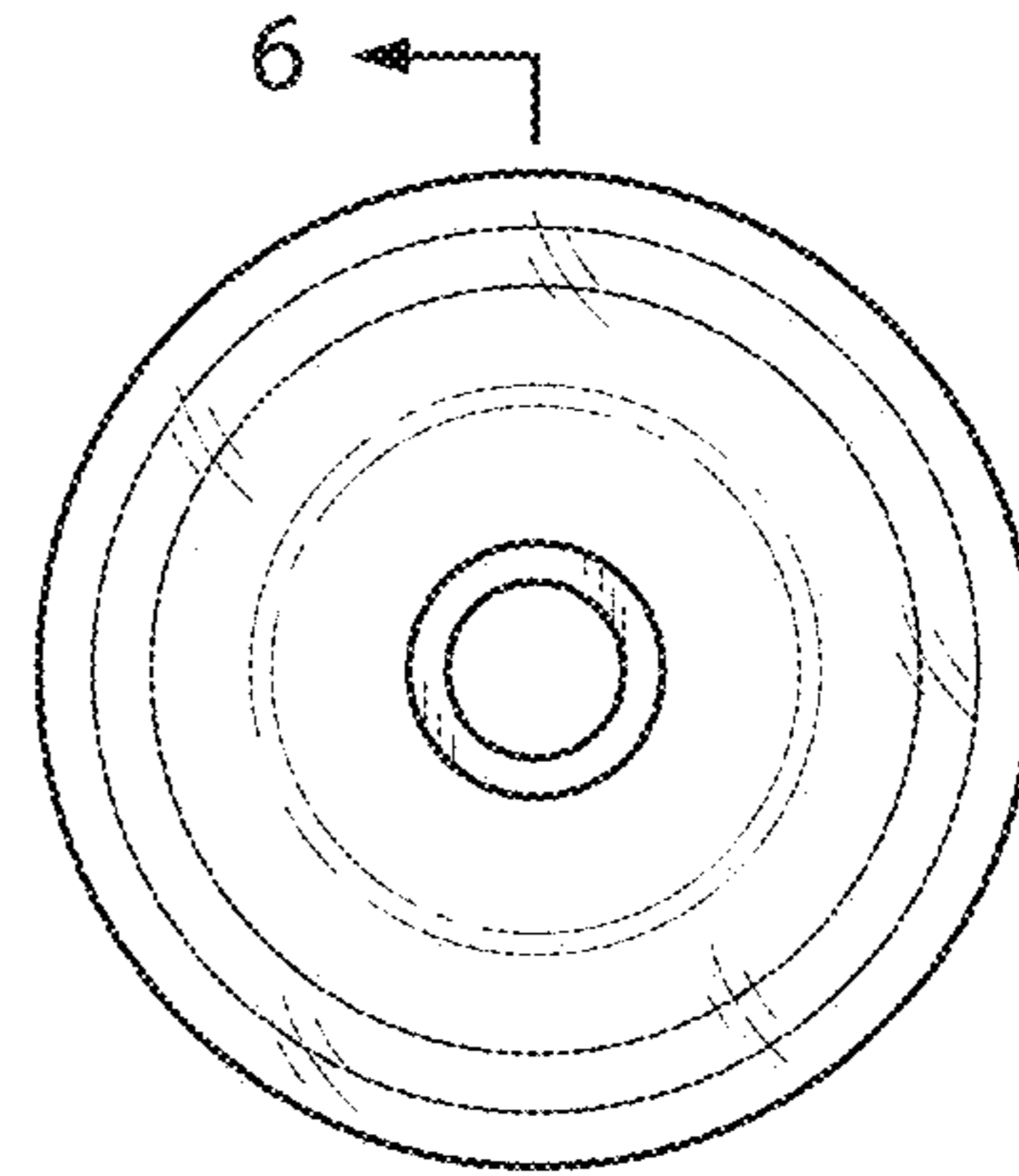


FIG. 3



6

FIG. 4

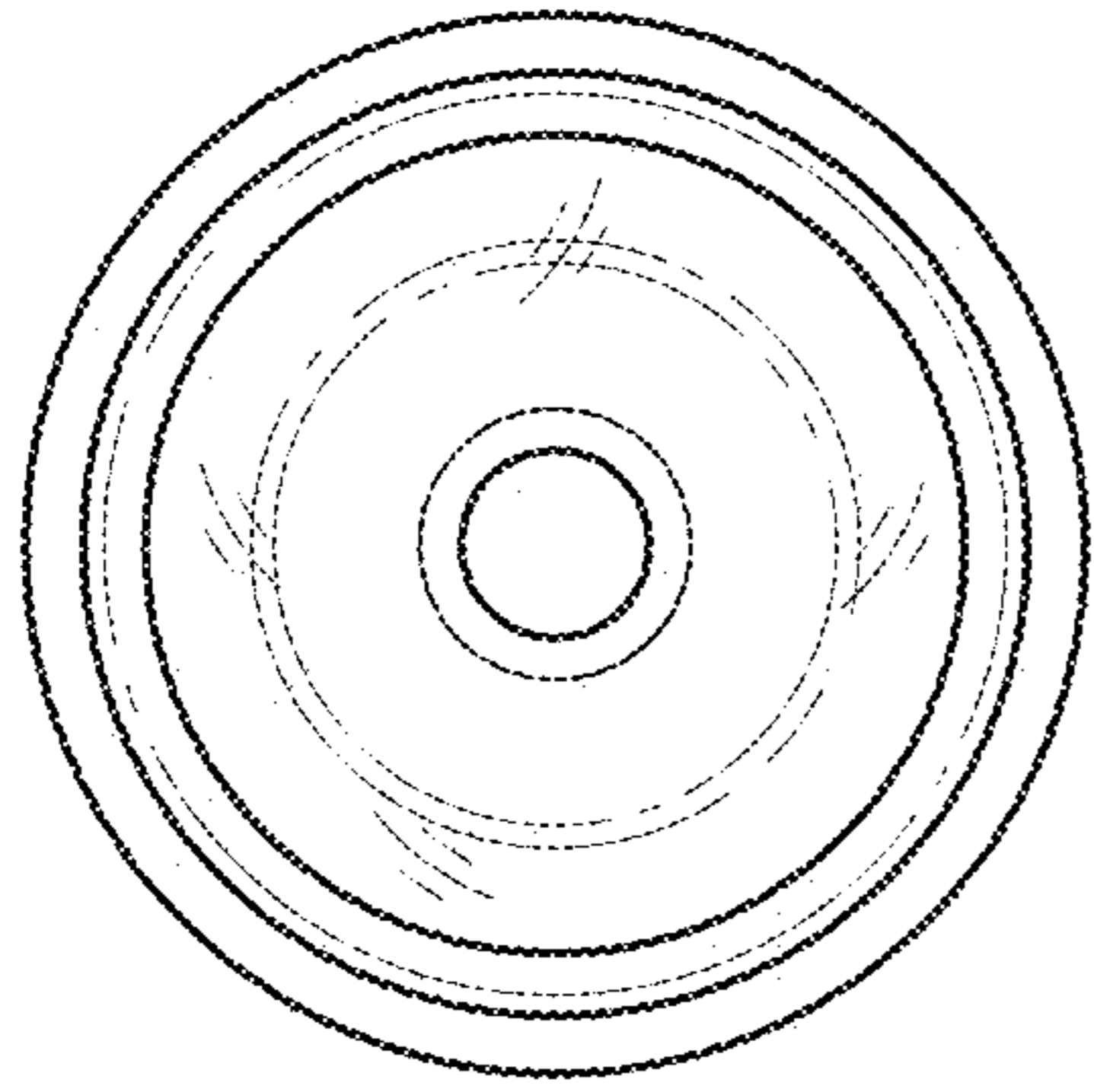


FIG. 5

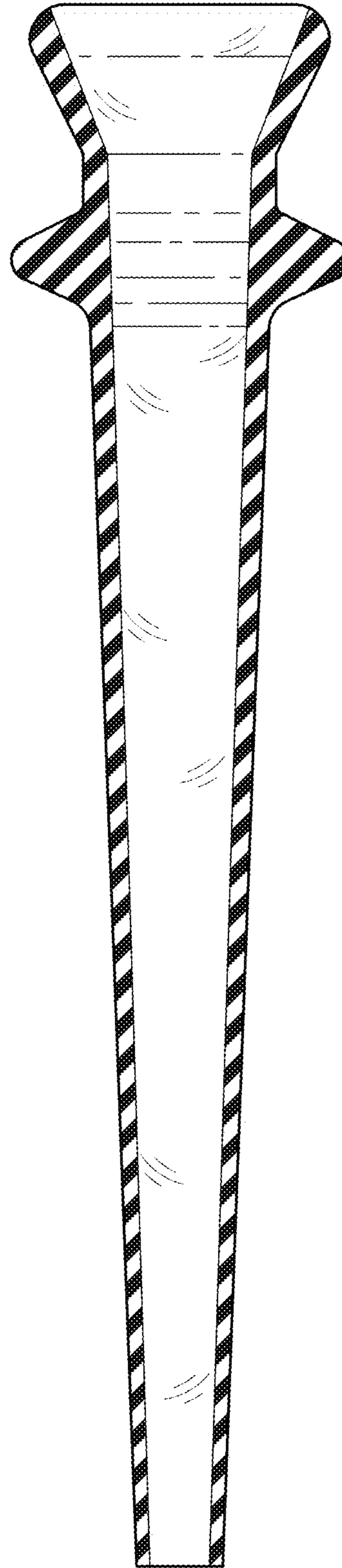


FIG. 6