



US00D927052S

(12) **United States Design Patent** (10) **Patent No.:** **US D927,052 S**  
**Qiu et al.** (45) **Date of Patent:** **\*\* Aug. 3, 2021**

(54) **CARTRIDGE**

(71) Applicant: **JOYETECH EUROPE HOLDING GMBH, Zug (CH)**

(72) Inventors: **Weihua Qiu, Changzhou (CN); Jialian Zhao, Changzhou (CN)**

(73) Assignee: **JOYETECH EUROPE HOLDING GMBH, Zug (CH)**

(\*\*) Term: **15 Years**

(21) Appl. No.: **29/706,634**

(22) Filed: **Sep. 21, 2019**

(30) **Foreign Application Priority Data**

Mar. 21, 2019 (CN) ..... 201930119461.4

(51) **LOC (13) Cl.** ..... **27-02**

(52) **U.S. Cl.**  
USPC ..... **D27/162; D27/170**

(58) **Field of Classification Search**  
USPC ..... D27/100, 101, 162, 163, 164, 165, 166, D27/167, 168, 169, 170, 171, 172, 173, D27/174, 175, 176, 177, 178, 179, 180, D27/181, 182, 183, 184, 185, 186, 187, D27/188, 189, 190, 191, 192, 193; D24/110, 110.4, 110.5, 110.6, 113; D28/91.1; D23/360, 362

CPC ..... A24F 47/008; A24F 40/10; A24F 40/40; A24F 40/46; A24F 40/42; A24F 40/44; A24F 40/50; A24F 40/90; A24F 47/00; A24F 40/60; A24F 40/70; A24F 40/48; A24F 40/485; A24F 40/53; A24F 40/51; A24F 47/002; A24F 40/57; A24F 40/65; A24F 40/20; A24F 7/00; A24F 40/30; A24F 47/004; A24F 40/05; A24F 15/00; A24F 1/32; A24F 40/00; A24F 40/49; A24F

(Continued)

(56) **References Cited**

U.S. PATENT DOCUMENTS

D144,528 S \* 4/1946 Tupper ..... D27/175  
D562,151 S \* 2/2008 Larocca ..... D9/529

(Continued)

FOREIGN PATENT DOCUMENTS

CN 201830499502.2 \* 7/2019  
CN 201930119461.4 \* 9/2019

(Continued)

OTHER PUBLICATIONS

Suorin Reno Cartridge. By Suorin. Dated Dec. 18, 2019. Found online [Jan. 12, 2021], <https://www.suorinusa.com/products/suorin-reno-cartridge> (Year: 2019).\*

(Continued)

*Primary Examiner* — Marissa J Cash

*Assistant Examiner* — William B Melliar

(74) *Attorney, Agent, or Firm* — Cheng-Ju Chiang

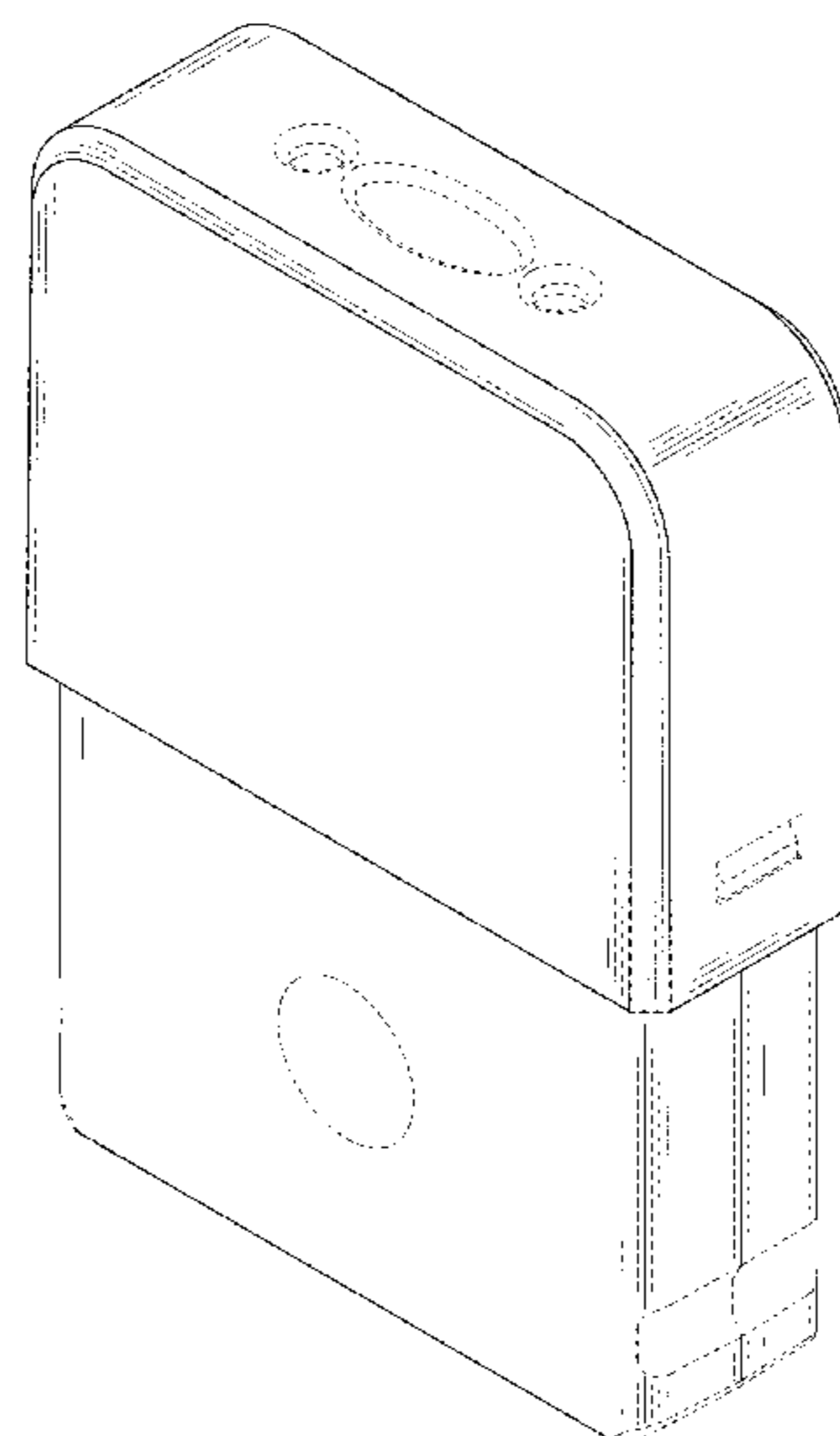
(57) **CLAIM**

The ornamental design for a cartridge, as shown and described.

**DESCRIPTION**

FIG. 1 is a top, right front perspective view of a cartridge showing our new design;  
FIG. 2 is a bottom, left back perspective view thereof;  
FIG. 3 is a front view thereof;  
FIG. 4 is a rear view thereof;  
FIG. 5 is a left-side view thereof;  
FIG. 6 is a right-side view thereof;  
FIG. 7 is a top view thereof; and,  
FIG. 8 is a bottom view thereof.  
The broken lines shown in the drawings depict portions of the cartridge that form no part of the claimed design.

**1 Claim, 6 Drawing Sheets**



(58) **Field of Classification Search**

CPC ... 40/85; A24F 42/60; A24F 7/02; A24F 7/04;  
 A24F 9/16; A24F 13/06; A24F 13/04;  
 A24F 40/465; A24F 40/95; A24F 13/00;  
 A24F 13/14; A24F 15/01; A24F 15/015;  
 A24F 15/12; A24F 15/14; A24F 15/18;  
 A24F 1/02; A24F 2700/03; A24F 42/00;  
 A24F 42/20; A24F 1/00; A61M 11/042;  
 A61M 15/06; A61M 2205/8206; A61M  
 2205/3653; A61M 11/005; A61M  
 2016/0024; A61M 2016/0027; A61M  
 2205/587; A61M 11/044; A61M 15/0085;  
 A61M 16/0003; A61M 2205/0211; A61M  
 2205/3368; A61M 2205/8256; A61M  
 11/003; A61M 15/002; A61M 2016/0021;  
 A61M 11/001; A61M 11/04; A61M  
 15/0021; A61M 15/0025; A61M 15/008;  
 A61M 2016/0018; A61M 2016/0033;  
 A61M 2016/0039; A61M 2021/0016;  
 A61M 21/00; A61M 2205/3331; A61M  
 2205/3334; A61M 2205/3379; A61M  
 2205/52; A61M 2205/58; A61M  
 2205/583; A61M 2205/6018; A61M  
 2205/6054; A61M 2205/75; A61M  
 2205/8268; A61M 2206/11; A61M  
 2206/20; A61M 2209/02; A61M  
 2209/045; A61M 11/041; A61M 15/0001;  
 A61M 15/0015; A61M 15/0028; A61M  
 15/0091; A61M 15/0095; A61M 16/0808;  
 A61M 2205/0238; A61M 2205/0272;  
 A61M 2205/123; A61M 2205/7536;  
 A61M 2205/18; A61M 2205/3317; A61M  
 2205/3386; A61M 2205/50

See application file for complete search history.

(56)

**References Cited**

U.S. PATENT DOCUMENTS

D703,679 S \* 4/2014 Chen ..... D14/480.1  
 D703,680 S \* 4/2014 Lin ..... D14/480.1  
 D707,688 S \* 6/2014 Wu ..... D14/480.1  
 D736,455 S \* 8/2015 Liu ..... D27/189  
 D760,431 S \* 6/2016 Liu ..... D27/189  
 D842,536 S \* 3/2019 Bowen ..... D27/167  
 D844,235 S \* 3/2019 Cividi ..... D27/167  
 D849,996 S \* 5/2019 Duque ..... D27/194  
 D858,868 S \* 9/2019 Bowen ..... D27/162  
 D865,279 S \* 10/2019 Pino ..... D27/172  
 D870,368 S \* 12/2019 Leon Duque ..... D27/162  
 10,631,576 B1 \* 4/2020 Chen ..... A24F 40/42  
 D887,632 S \* 6/2020 Duque ..... D27/167  
 D896,436 S \* 9/2020 Huang ..... D27/162  
 D898,279 S \* 10/2020 Pierce ..... D27/162  
 D901,763 S \* 11/2020 Cheung ..... D27/167  
 D911,600 S \* 2/2021 Chen ..... D27/162  
 D914,274 S \* 3/2021 Vora ..... D27/162

FOREIGN PATENT DOCUMENTS

CN 201930258550.7 \* 11/2019  
 CN 201930226187.0 \* 2/2020  
 WO D099741-016 \* 2/2018

OTHER PUBLICATIONS

Qwin—Nic Capsules. By Qwin. Dated May 2, 2019. Found online  
 [Jan. 12, 2021]. <https://www.district5ve.com/products/qwin-qwin-nic-capsules> (Year: 2019).\*

\* cited by examiner

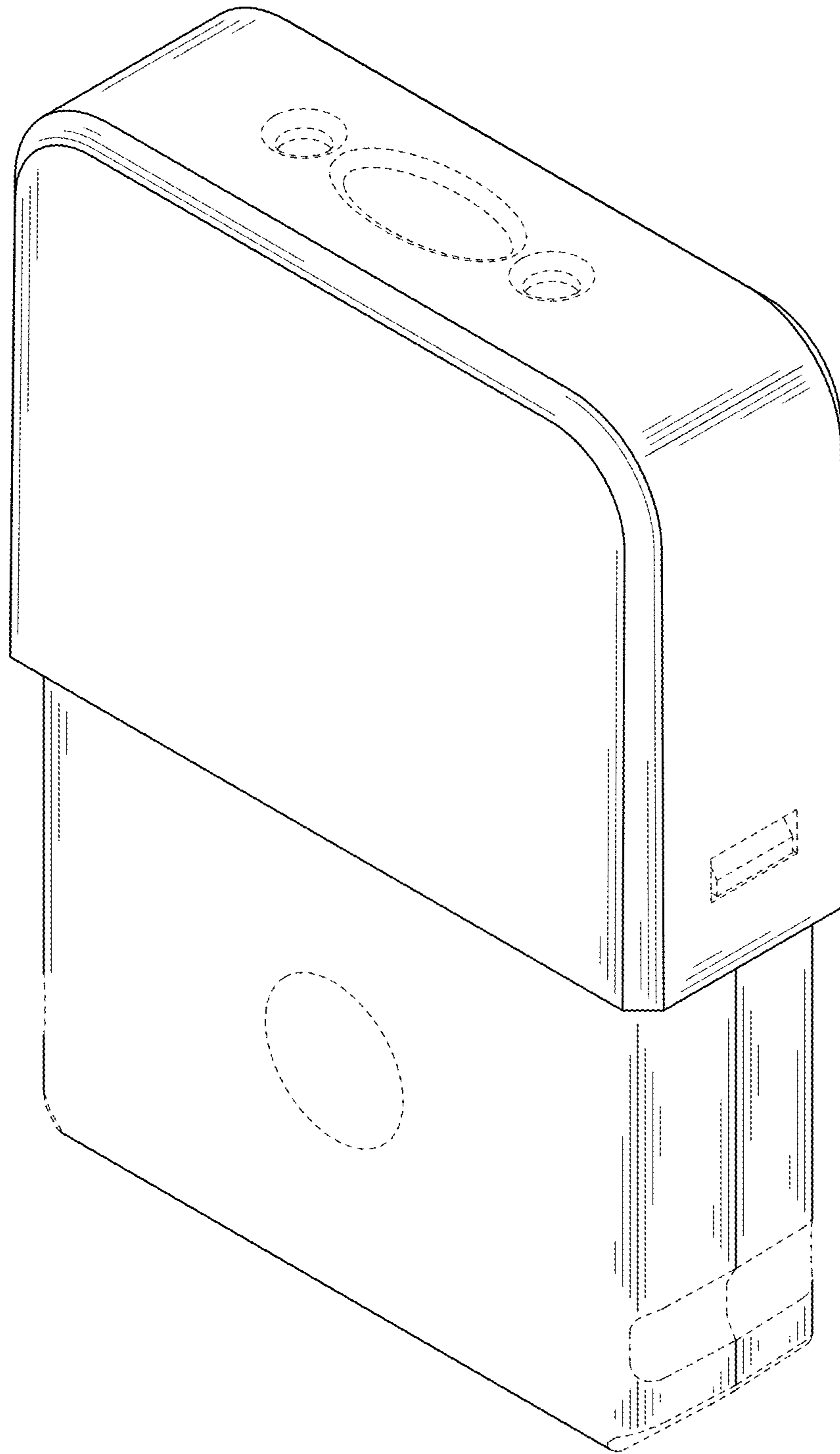


FIG. 1

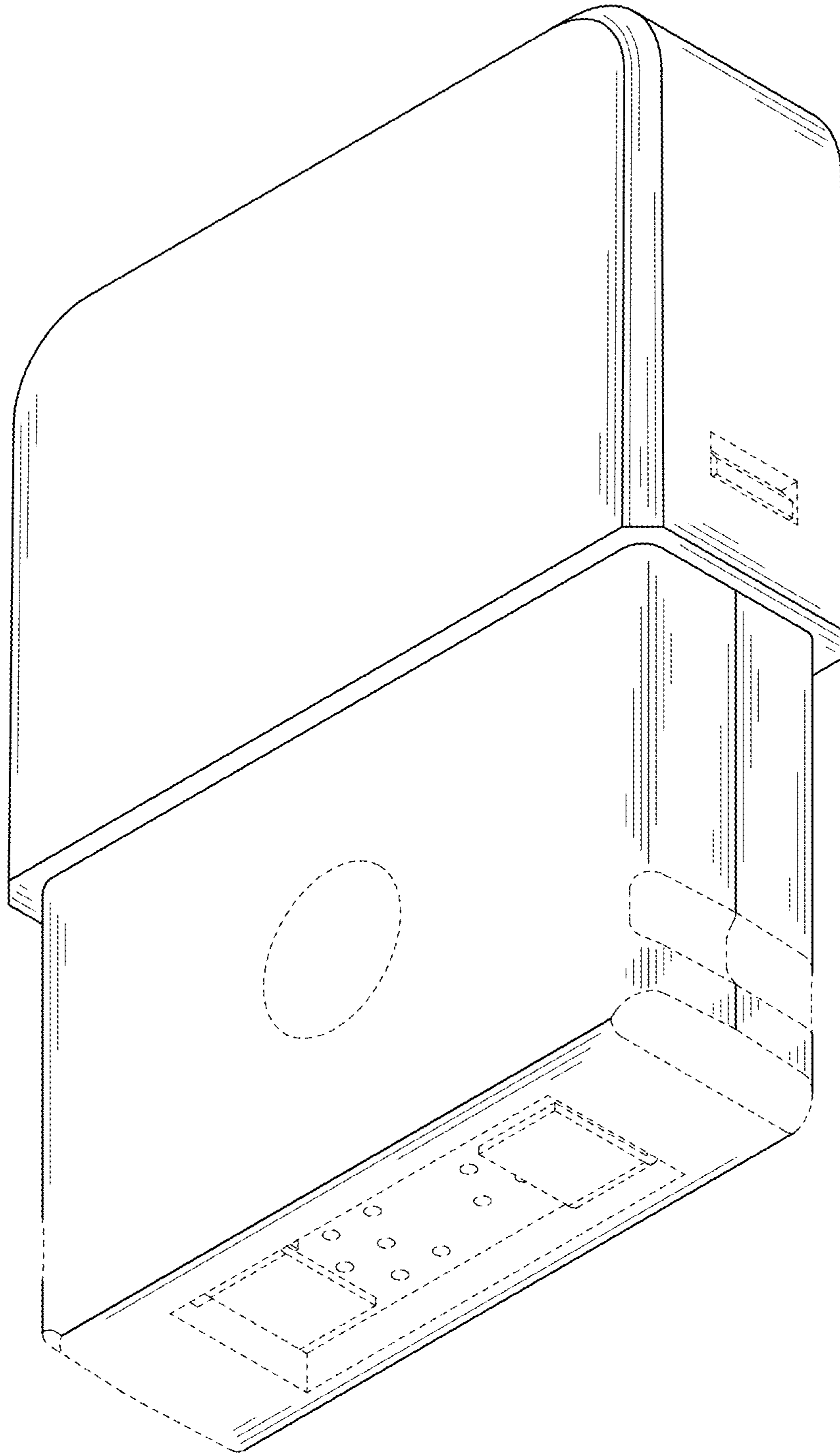


FIG. 2



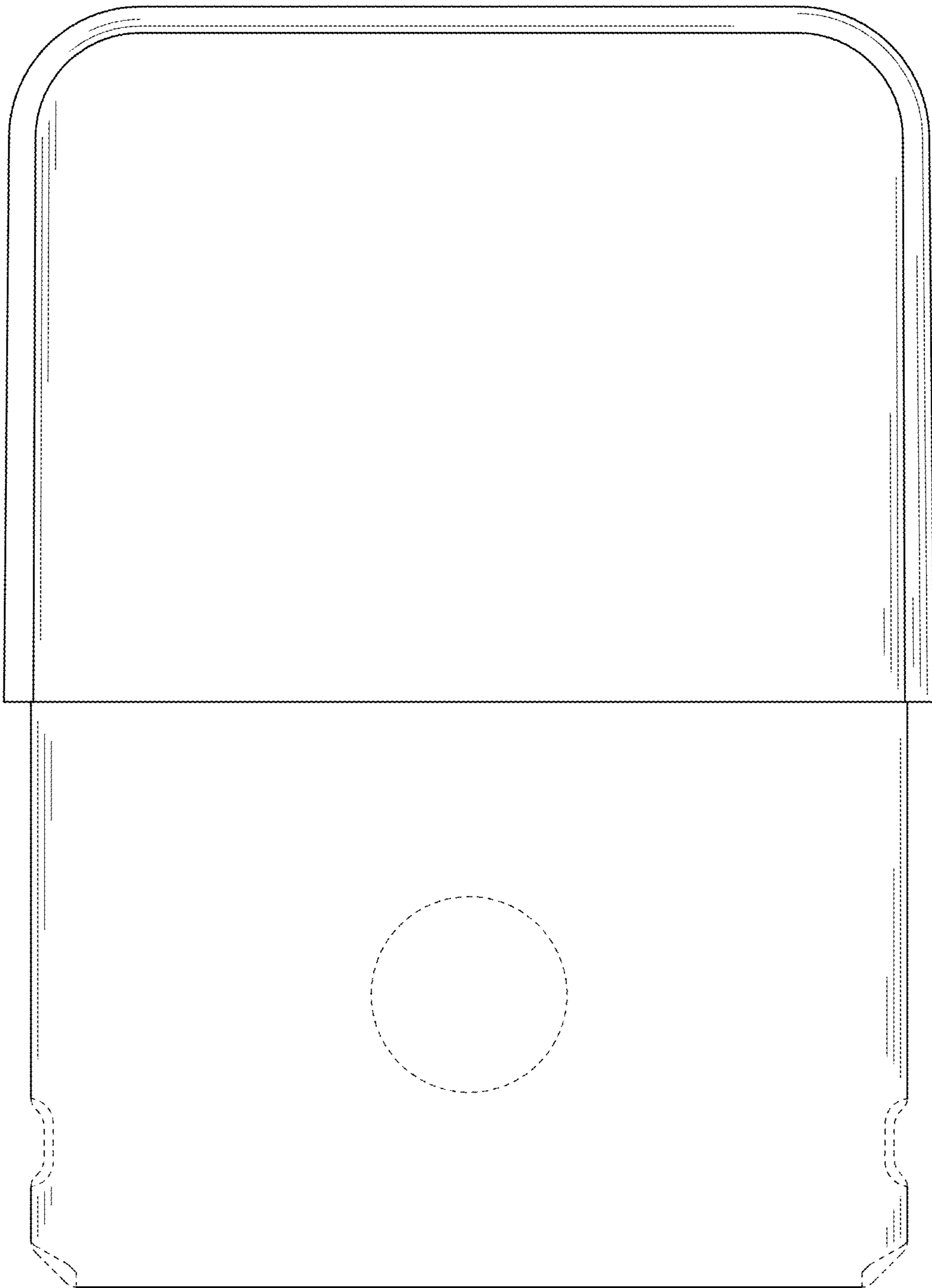


FIG. 3

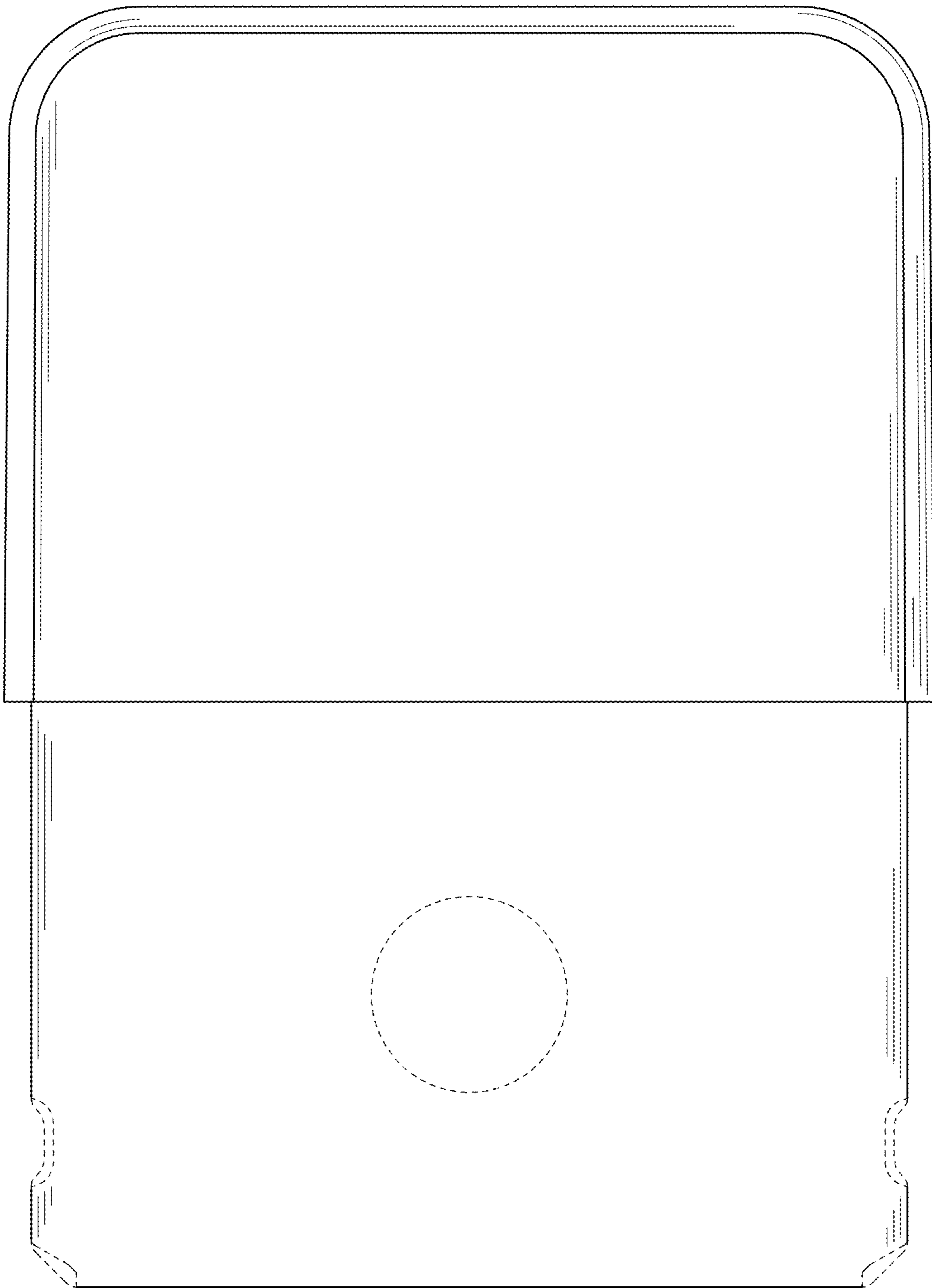


FIG. 4

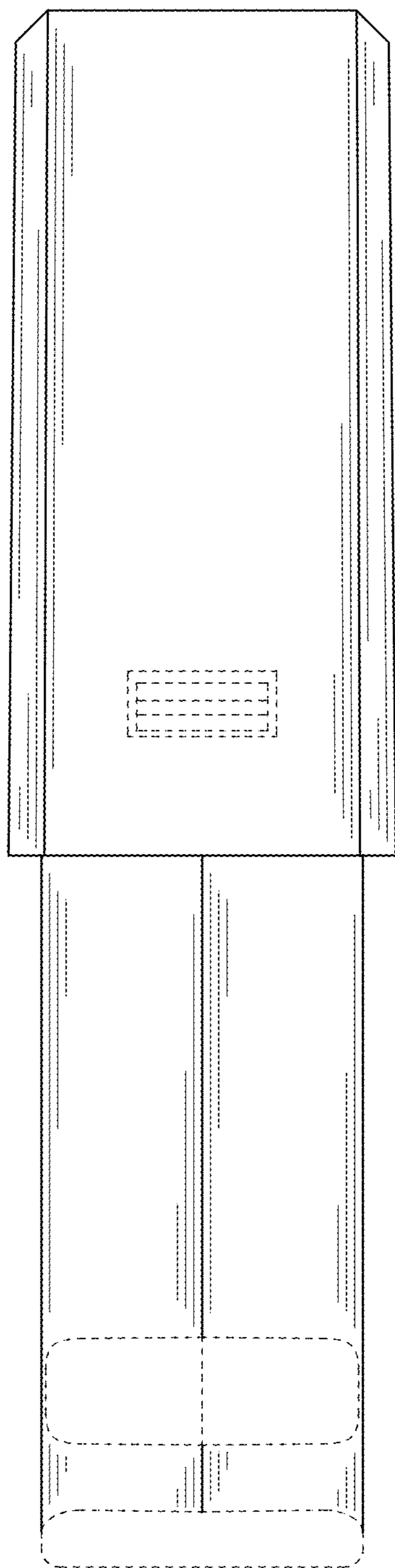


FIG. 5

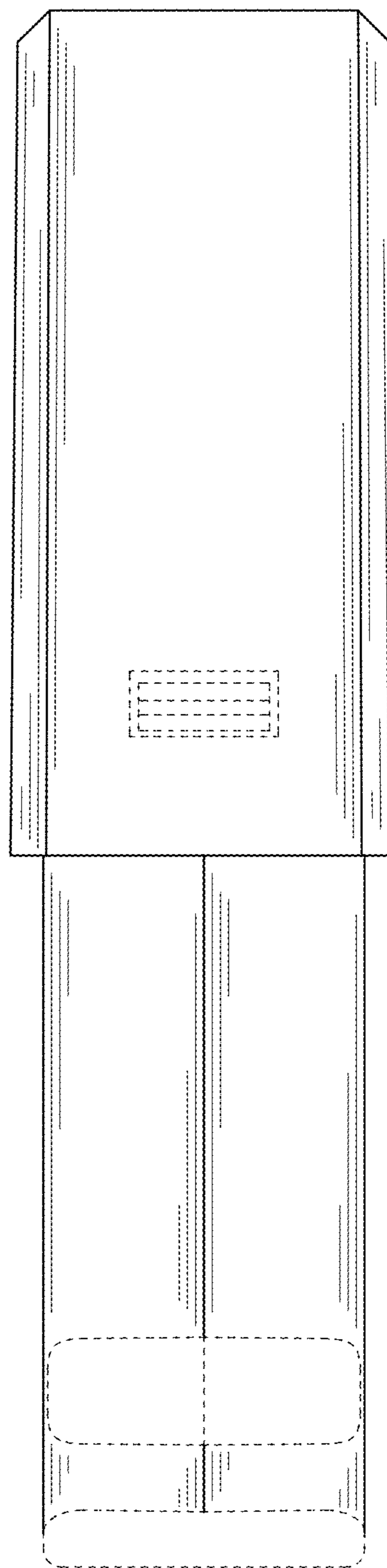


FIG. 6

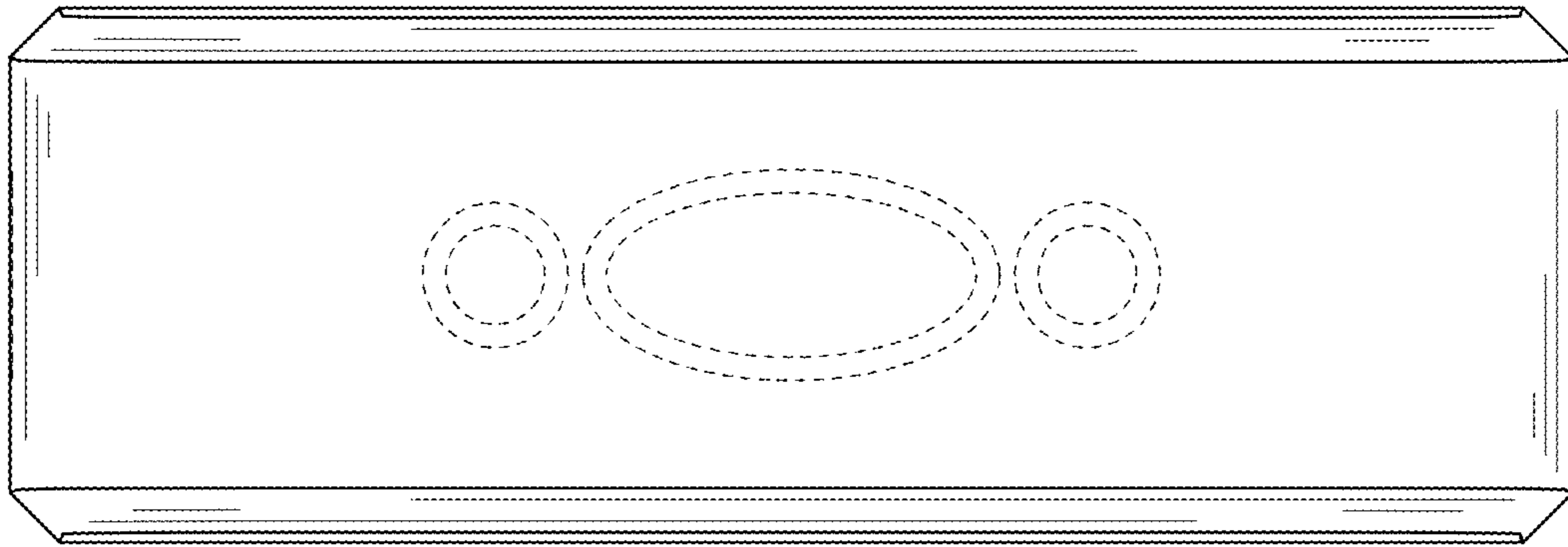


FIG. 7

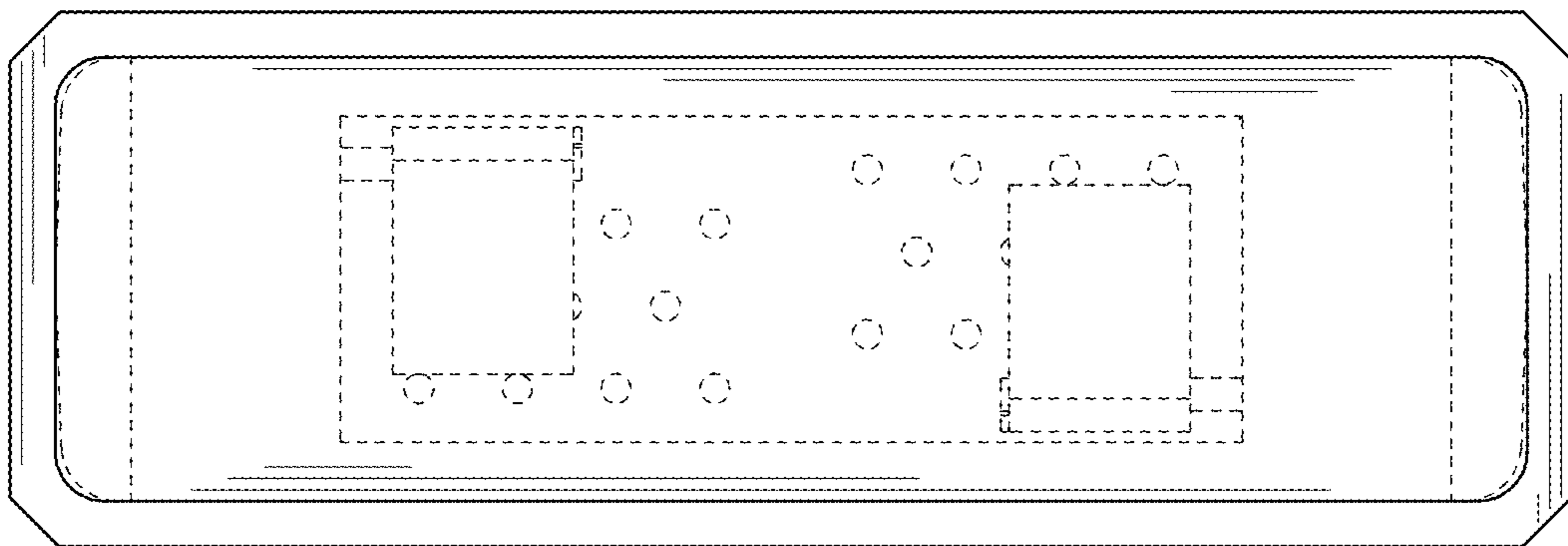


FIG. 8