



US00D927051S

(12) **United States Design Patent** (10) **Patent No.:** **US D927,051 S**  
**Bao** (45) **Date of Patent:** **\*\* Aug. 3, 2021**

(54) **FRAME**

(71) Applicant: **YUYAO YUCHANG ELECTRICAL APPLIANCE CO., LTD.**, Zhejiang (CN)

(72) Inventor: **Yong Bao**, Zhejiang (CN)

(73) Assignee: **YUYAO YUCHANG ELECTRICAL APPLIANCE CO., LTD.**, Zhejiang (CN)

(\*\*) Term: **15 Years**

(21) Appl. No.: **29/724,515**

(22) Filed: **Feb. 17, 2020**

(30) **Foreign Application Priority Data**

Oct. 15, 2019 (CN) ..... 201930560351.1

(51) **LOC (13) Cl.** ..... **26-05**

(52) **U.S. Cl.**  
USPC ..... **D26/141**

(58) **Field of Classification Search**  
USPC ..... D26/76, 78, 79, 80, 81, 82, 83, 85, 86, D26/88, 90, 113, 118, 119, 120, 121, 122, D26/138, 139, 140, 141, 142  
CPC ..... F21S 2/00; F21S 4/00; F21S 4/003; F21S 4/005; F21S 4/006; F21S 4/007; F21S 4/008; F21S 6/00; F21S 8/00; F21S 8/024; F21S 8/026; F21S 8/031; F21S 8/033; F21S 8/035-037; F21S 8/04; F21S 8/043; F21S 8/063

See application file for complete search history.

(56) **References Cited**

U.S. PATENT DOCUMENTS

D379,530 S *	5/1997	Leonelli .....	D25/124
D438,667 S *	3/2001	Leen .....	D26/113
D717,230 S *	11/2014	Fichter .....	D12/414
D776,328 S *	1/2017	Bacus .....	D26/113
D813,145 S *	3/2018	Brown .....	D12/414
D861,575 S *	10/2019	Tang .....	D12/406
D862,357 S *	10/2019	Bibb, VI .....	D12/222
D881,785 S *	4/2020	Ajam .....	D12/222

\* cited by examiner

*Primary Examiner* — Mark A Goodwin

*Assistant Examiner* — Benjamin M Weeks

(74) *Attorney, Agent, or Firm* — JCIPRNET

(57) **CLAIM**

The ornamental design for a frame, as shown and described.

**DESCRIPTION**

FIG. 1 is a perspective view of a frame showing my new design;

FIG. 2 is a front view thereof;

FIG. 3 is a rear view thereof;

FIG. 4 is an enlarged left side view thereof;

FIG. 5 is an enlarged right side view thereof;

FIG. 6 is a top view thereof;

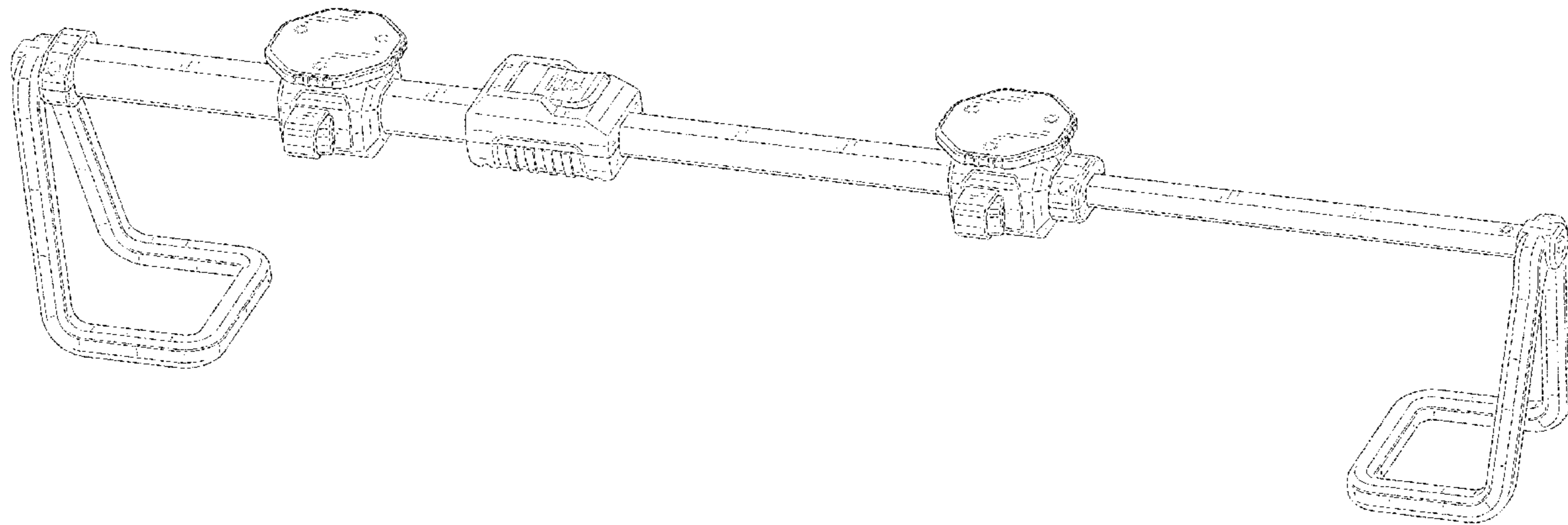
FIG. 7 is a bottom view thereof;

FIG. 8 is a perspective view thereof, being in a shortened state; and,

FIG. 9 is a perspective view thereof, being in another shortened state.

The dashed broken lines illustrate portions of the frame that form no part of the claimed design.

**1 Claim, 6 Drawing Sheets**



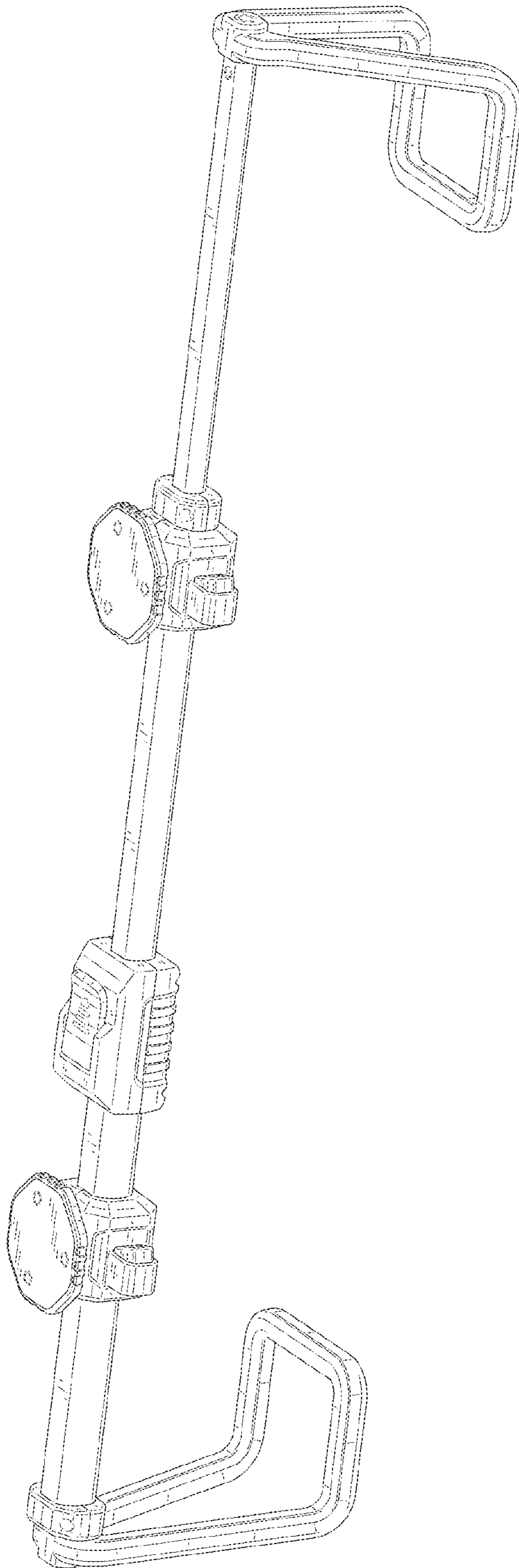


FIG. 1

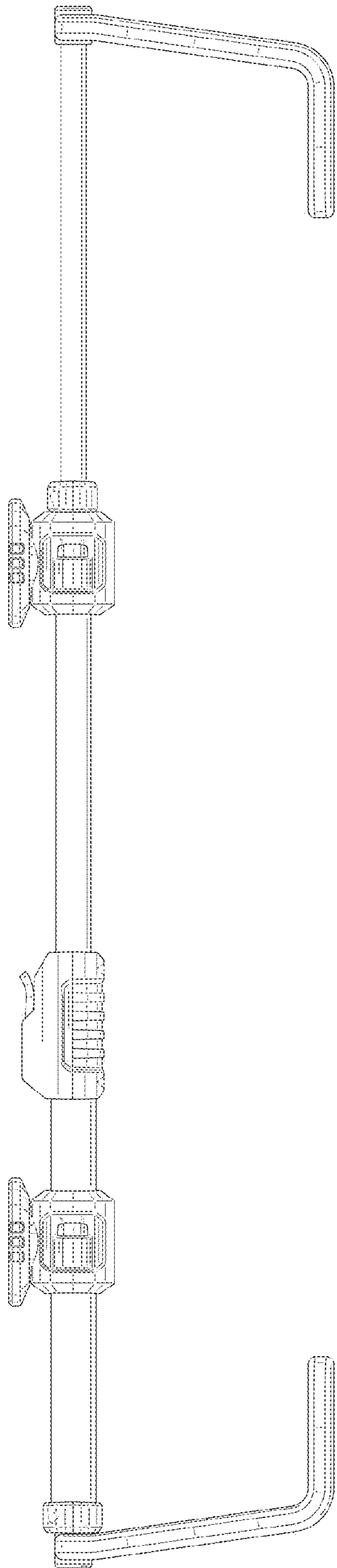


FIG. 2

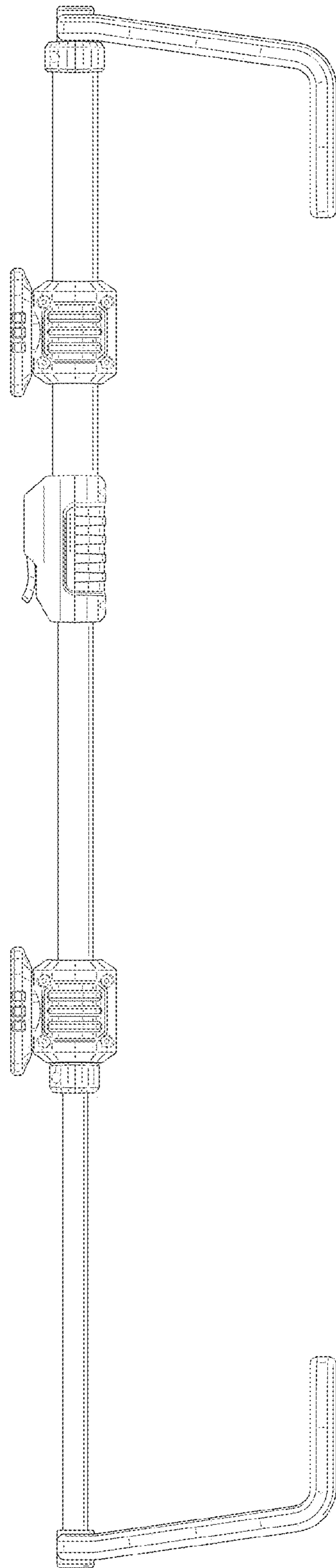


FIG. 3

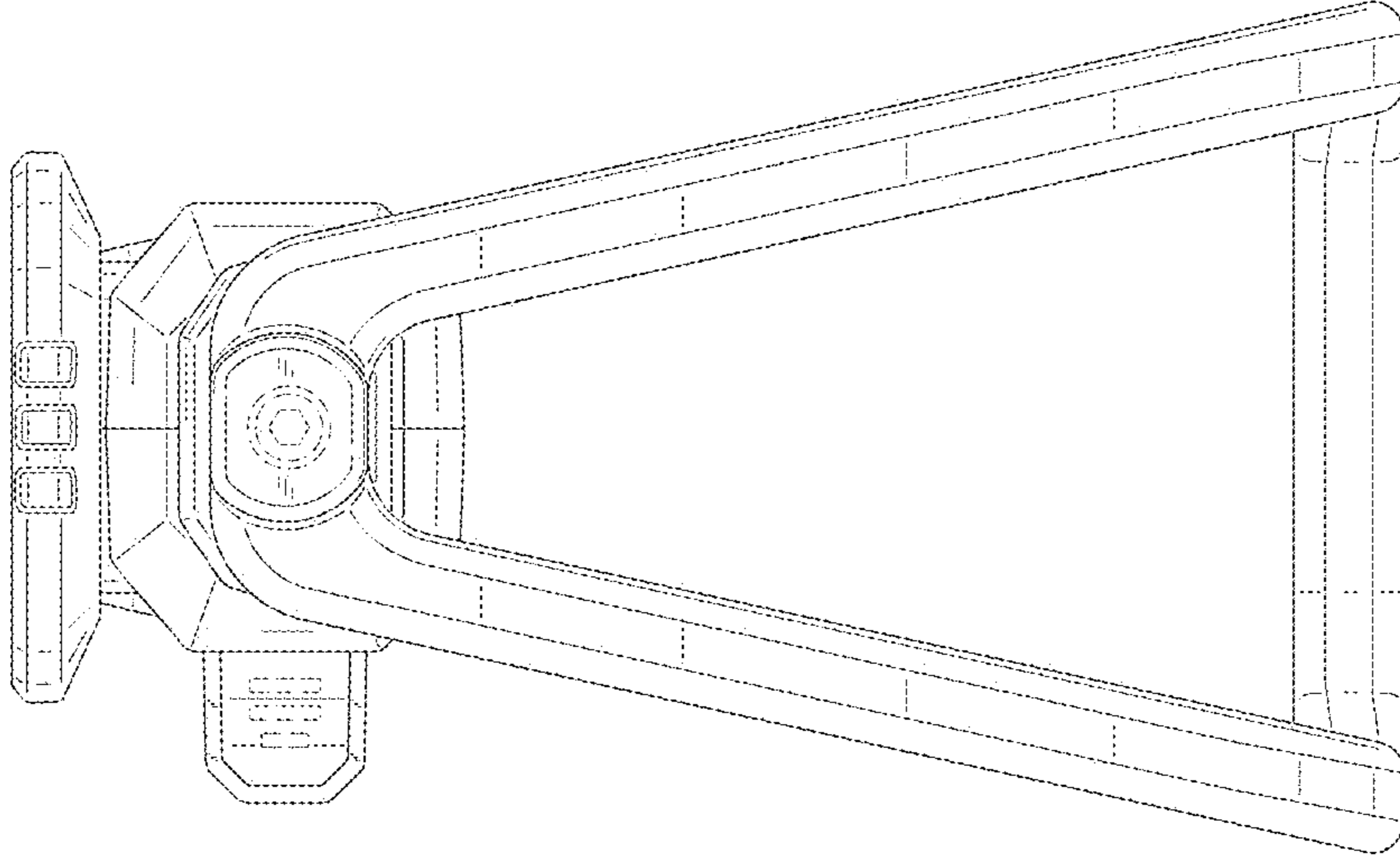


FIG. 4

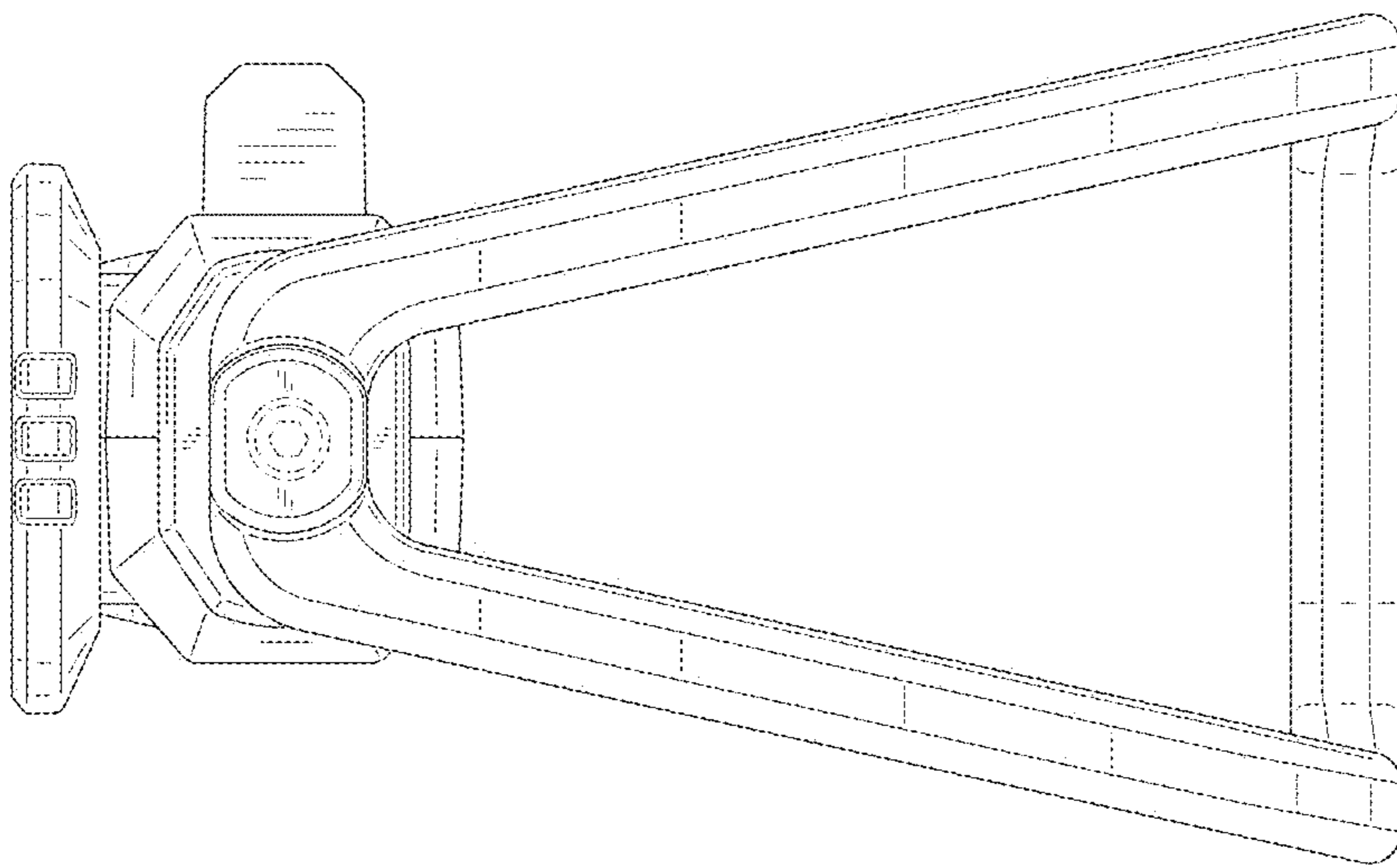


FIG. 5

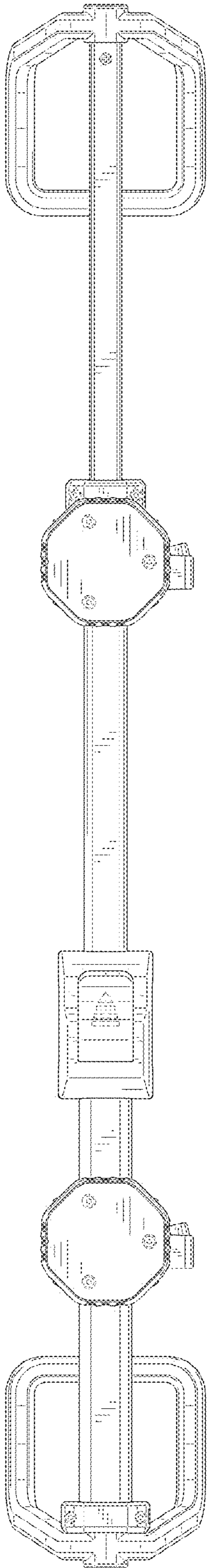


FIG. 6

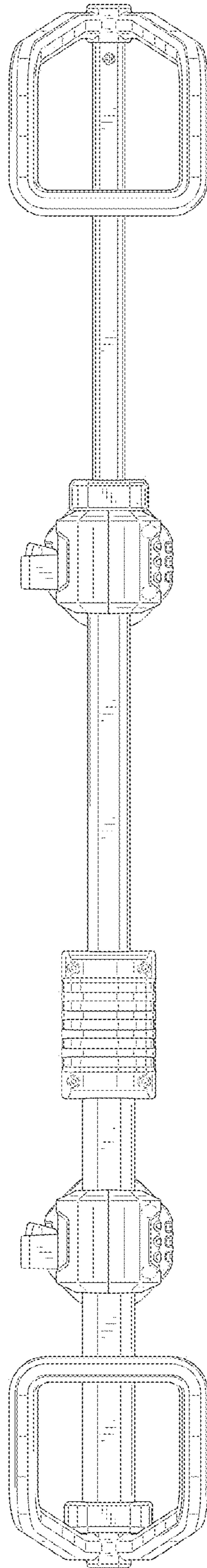


FIG. 7

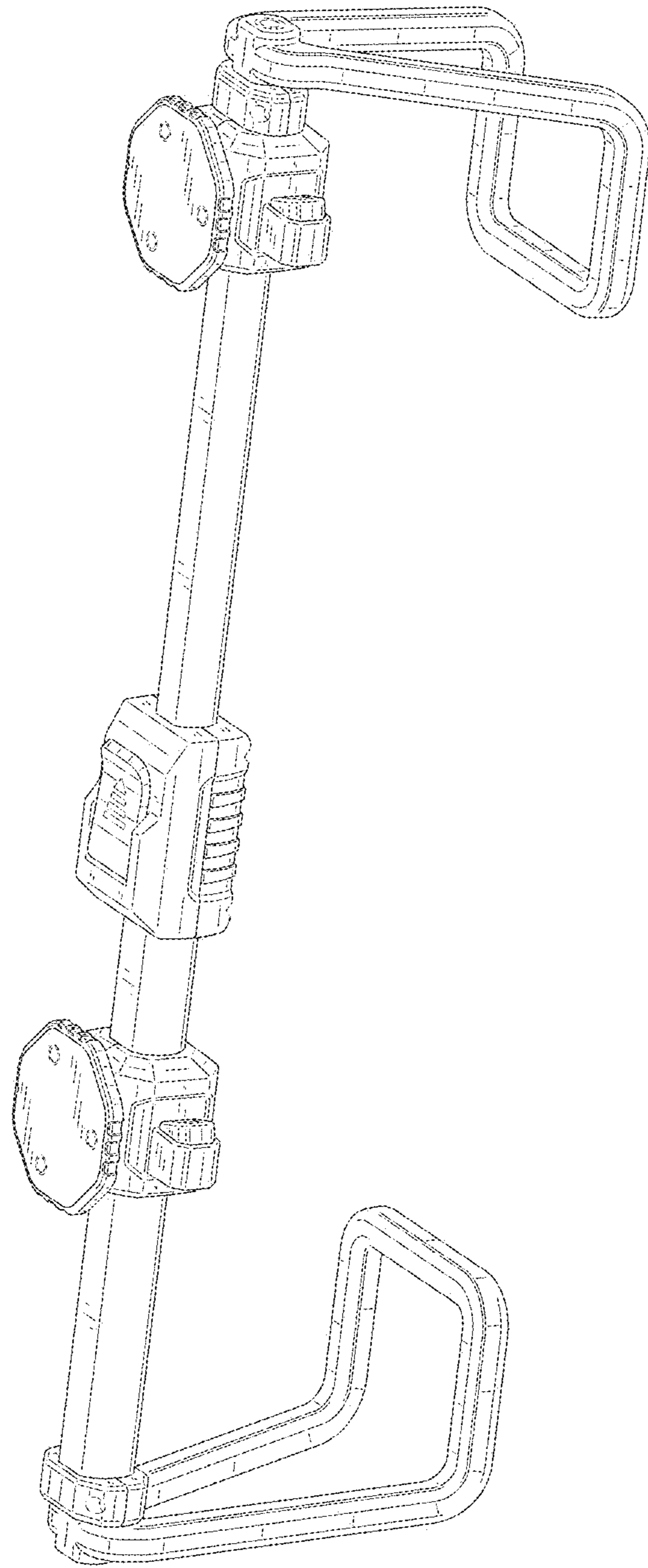


FIG. 8

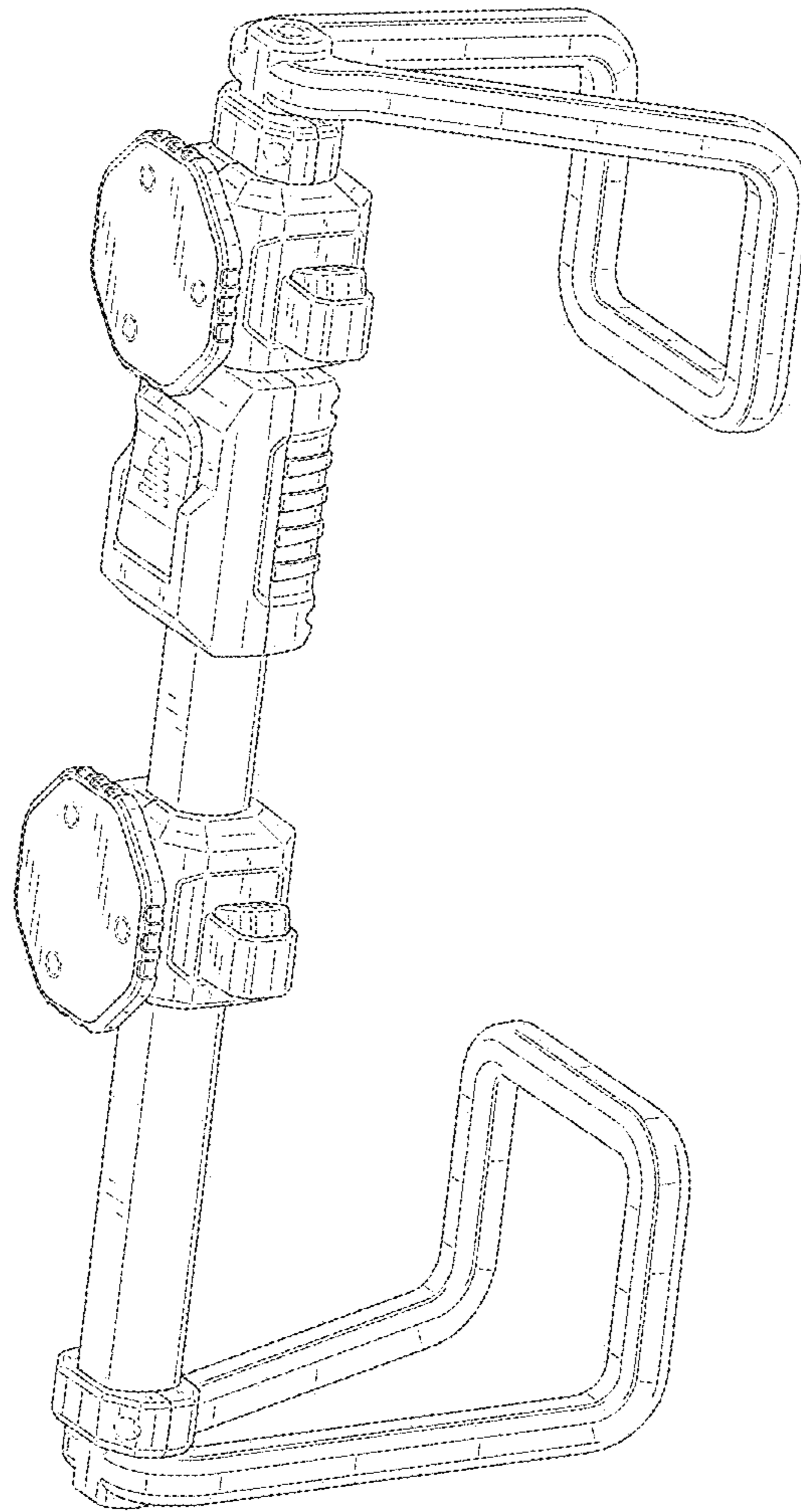


FIG. 9