

US00D927050S

(12) **United States Design Patent** (10) **Patent No.:** **US D927,050 S**  
**Wells** (45) **Date of Patent:** **\*\* Aug. 3, 2021**

(54) **LIGHTING DEVICE MOUNT**  
(71) Applicant: **SureFire, LLC**, Fountain Valley, CA (US)  
(72) Inventor: **William D. Wells**, Costa Mesa, CA (US)  
(73) Assignee: **SureFire, LLC**, Fountain Valley, CA (US)

(\*\*) Term: **15 Years**  
(21) Appl. No.: **29/728,791**

(22) Filed: **Mar. 20, 2020**  
(51) **LOC (13) Cl.** ..... **26-05**  
(52) **U.S. Cl.**  
USPC ..... **D26/138**  
(58) **Field of Classification Search**  
USPC ..... D26/76, 78, 79, 80, 81, 82, 83, 85, 86,  
D26/88, 90, 113, 118, 119, 120, 121, 122,  
D26/138, 139, 140, 141, 142  
CPC ..... F21S 2/00; F21S 4/00; F21S 4/003; F21S  
4/005; F21S 4/006; F21S 4/007; F21S  
4/008; F21S 6/00; F21S 8/00; F21S  
8/024; F21S 8/026; F21S 8/031; F21S  
8/033; F21S 8/035-037; F21S 8/04; F21S  
8/043; F21S 8/063  
See application file for complete search history.

(56) **References Cited**  
U.S. PATENT DOCUMENTS  
D173,139 S \* 10/1954 Black ..... D26/138  
D175,528 S \* 9/1955 Atkin ..... D26/138  
D234,710 S \* 4/1975 Beeren ..... D26/63  
D315,030 S \* 2/1991 Jacobs ..... D26/63  
D336,536 S \* 6/1993 Shaanan ..... D26/140  
D376,865 S \* 12/1996 Chan ..... D26/60  
D434,165 S \* 11/2000 Hiller ..... D26/65  
D454,219 S \* 3/2002 Thompson ..... D26/63  
6,902,200 B1 \* 6/2005 Beadle ..... F16C 11/04  
285/185

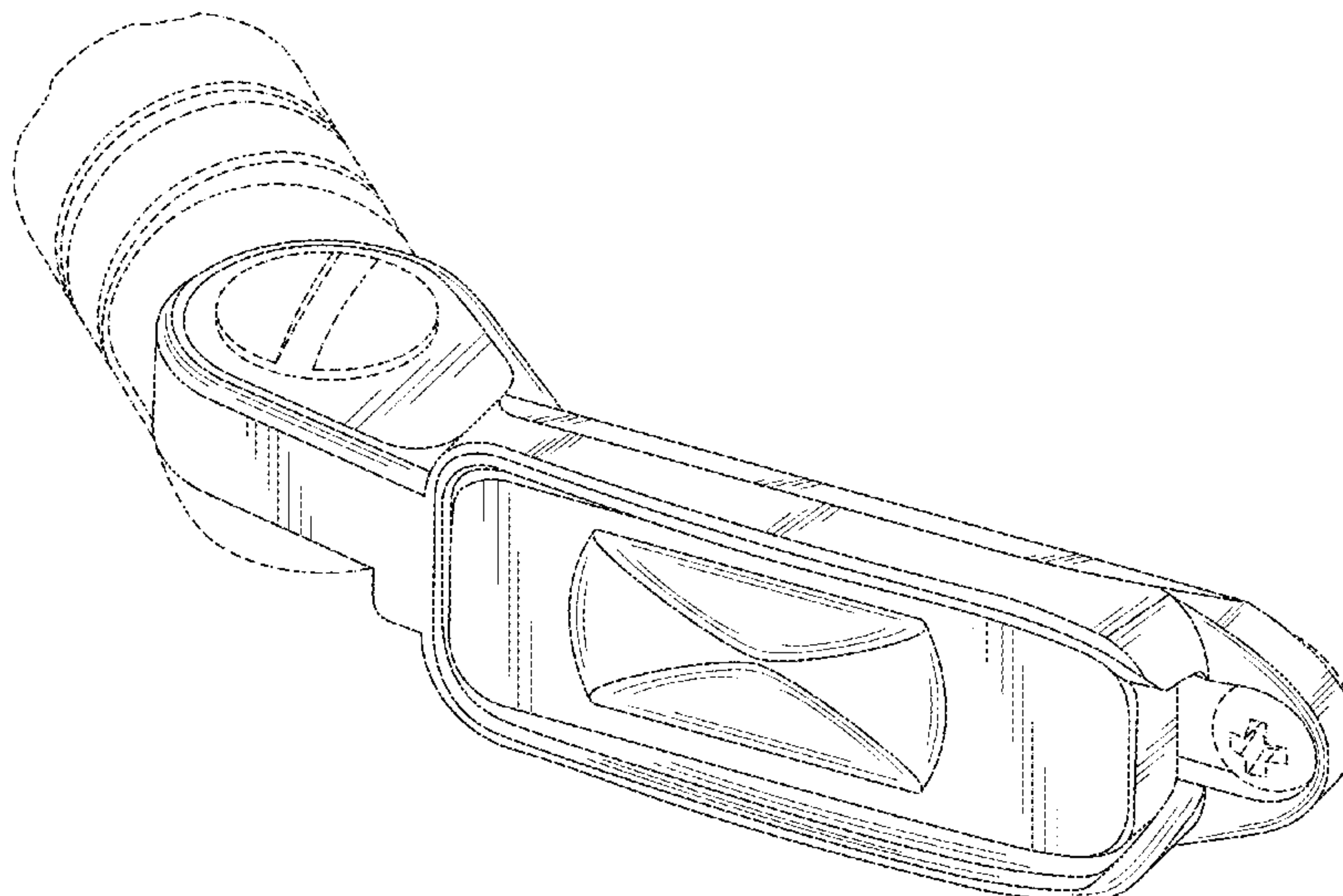
D570,535 S \* 6/2008 Kinnune ..... D26/142  
7,563,016 B1 \* 7/2009 Mier-Langner ..... F21V 17/107  
362/648  
D641,926 S \* 7/2011 Camarota ..... D26/140  
D653,797 S \* 2/2012 McKee ..... D26/138  
D657,907 S \* 4/2012 McKee ..... D26/138  
10,012,370 B2 \* 7/2018 Fletcher ..... F21V 21/30  
D908,270 S \* 1/2021 Moses ..... D26/113  
2010/0118538 A1 \* 5/2010 Kay ..... F21V 21/30  
362/271

\* cited by examiner  
*Primary Examiner* — Mark A Goodwin  
*Assistant Examiner* — Benjamin M Weeks  
(74) *Attorney, Agent, or Firm* — Haynes and Boone, LLP

(57) **CLAIM**  
The ornamental design for a lighting device mount, as shown and described.

**DESCRIPTION**  
FIG. 1 is a front right upper perspective view of a lighting device mount showing my new design with a first example lighting device secured thereto;  
FIG. 2 is a front left lower perspective view thereof;  
FIG. 3 is a rear left upper perspective view thereof;  
FIG. 4 is a rear right lower perspective view thereof;  
FIG. 5 is a front side elevational view thereof;  
FIG. 6 is a rear side elevational view thereof;  
FIG. 7 is a top plan view thereof;  
FIG. 8 is a bottom plan view thereof;  
FIG. 9 is a left side elevational view thereof;  
FIG. 10 is a right side elevational view thereof; and  
FIG. 11 is a front left lower perspective view of the lighting device mount with a second example lighting device secured thereto; and,  
FIG. 12 is a rear left upper perspective view thereof.  
The broken lines in the drawings illustrate environmental features and form no part of the claimed design.

**1 Claim, 12 Drawing Sheets**



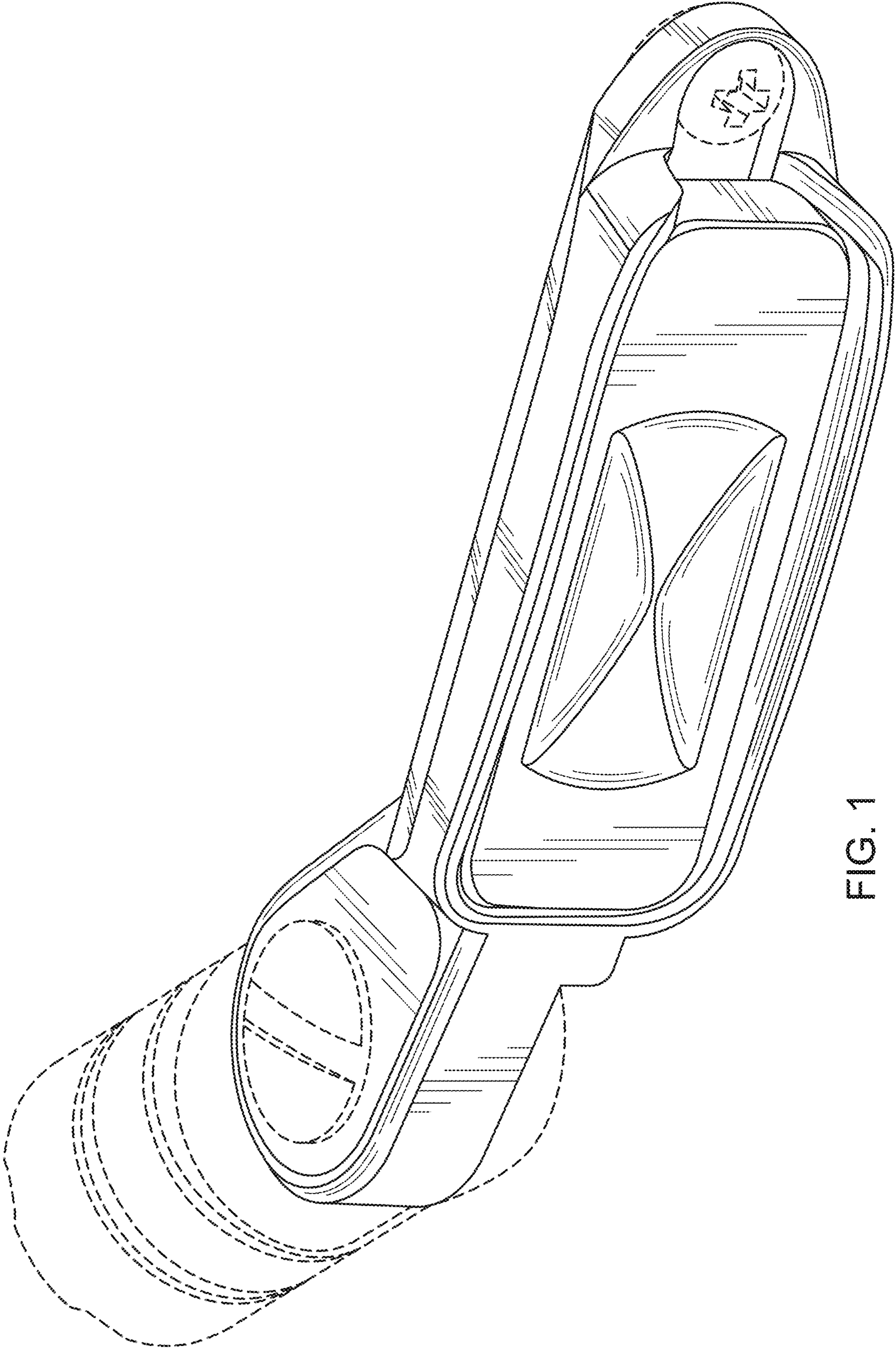


FIG. 1

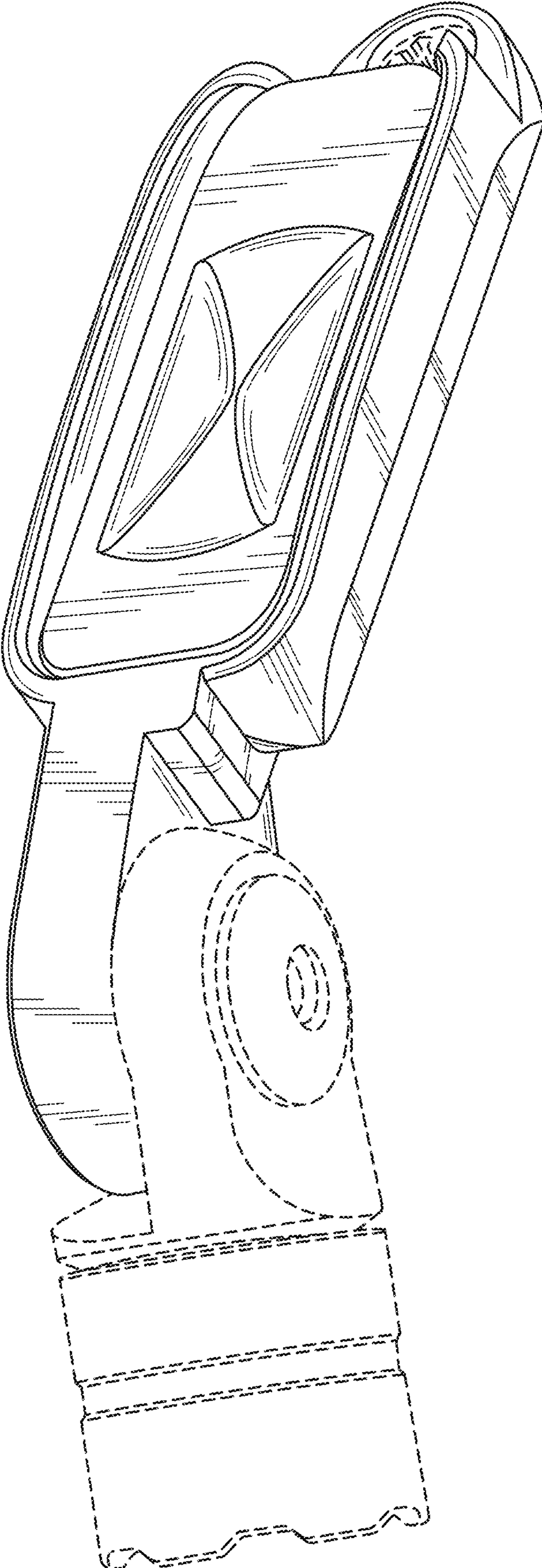


FIG. 2



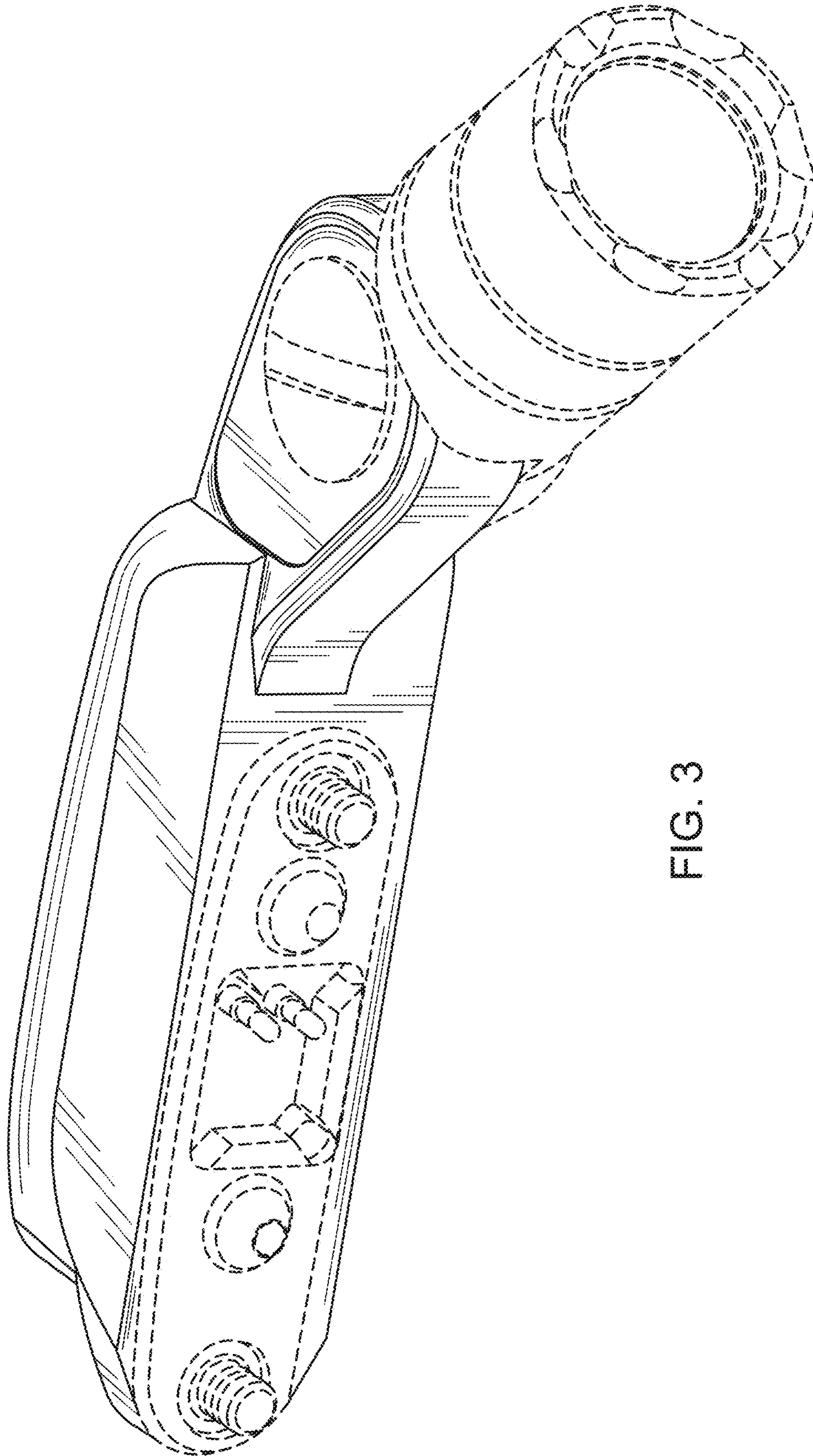


FIG. 3

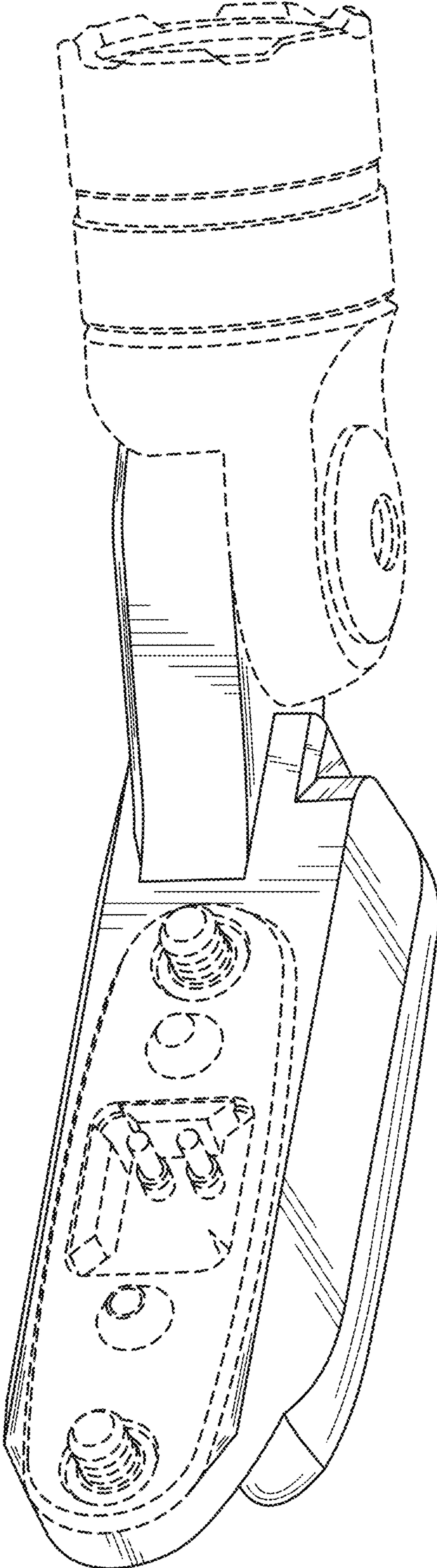


FIG. 4

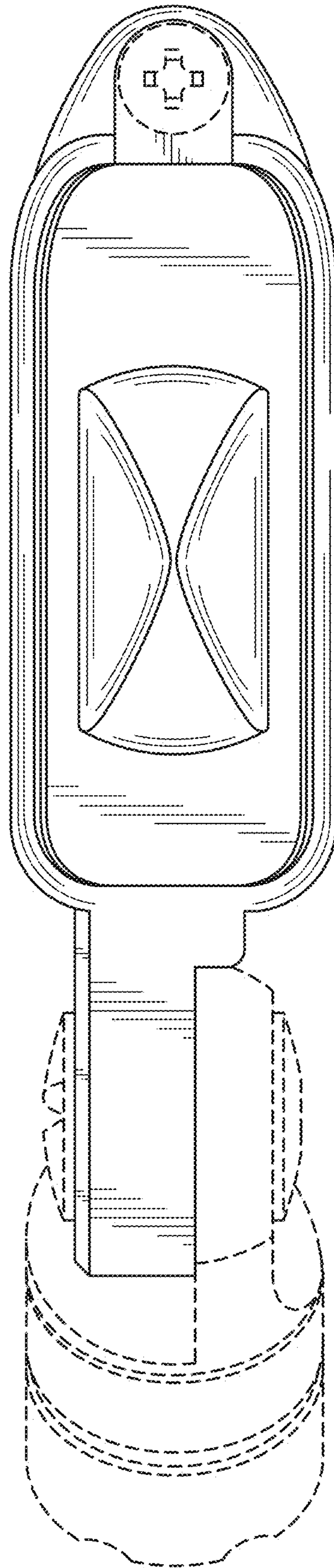


FIG. 5

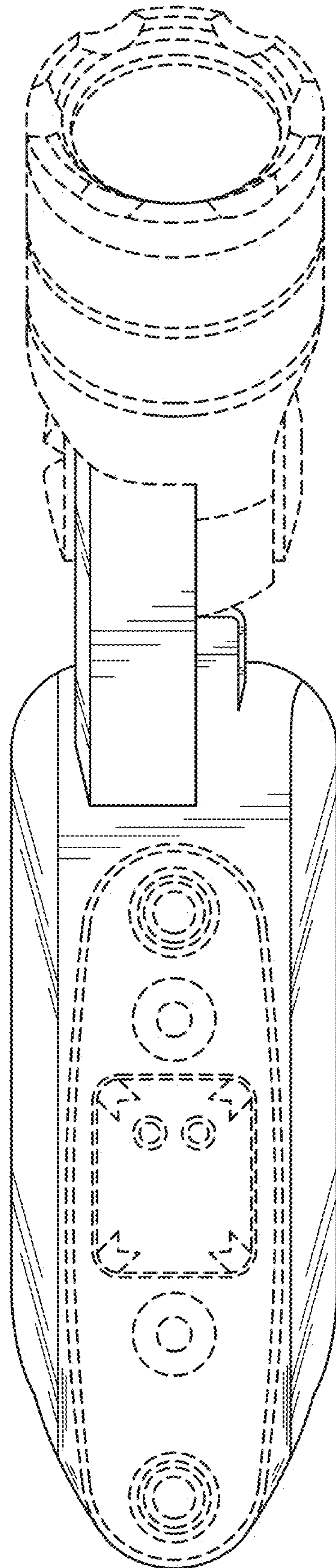


FIG. 6



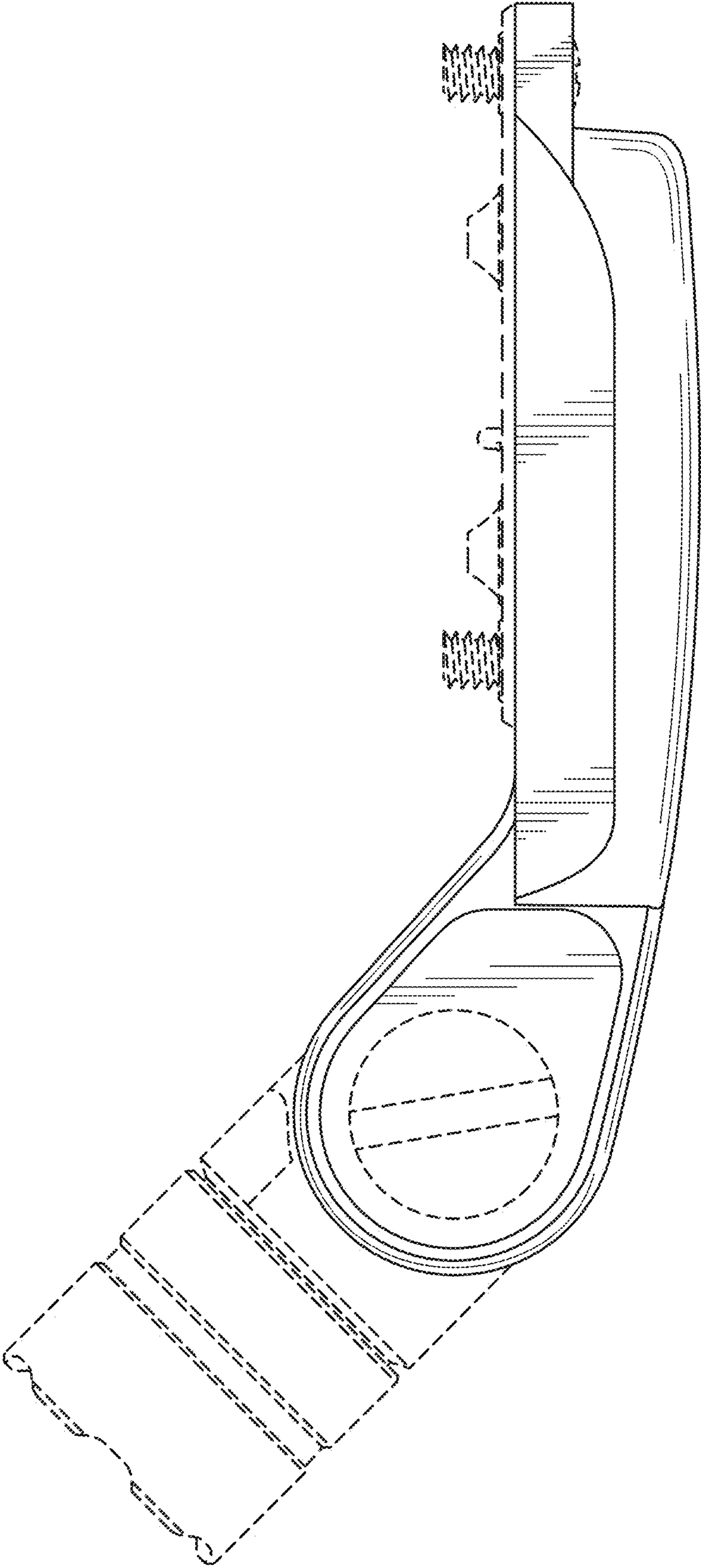


FIG. 7



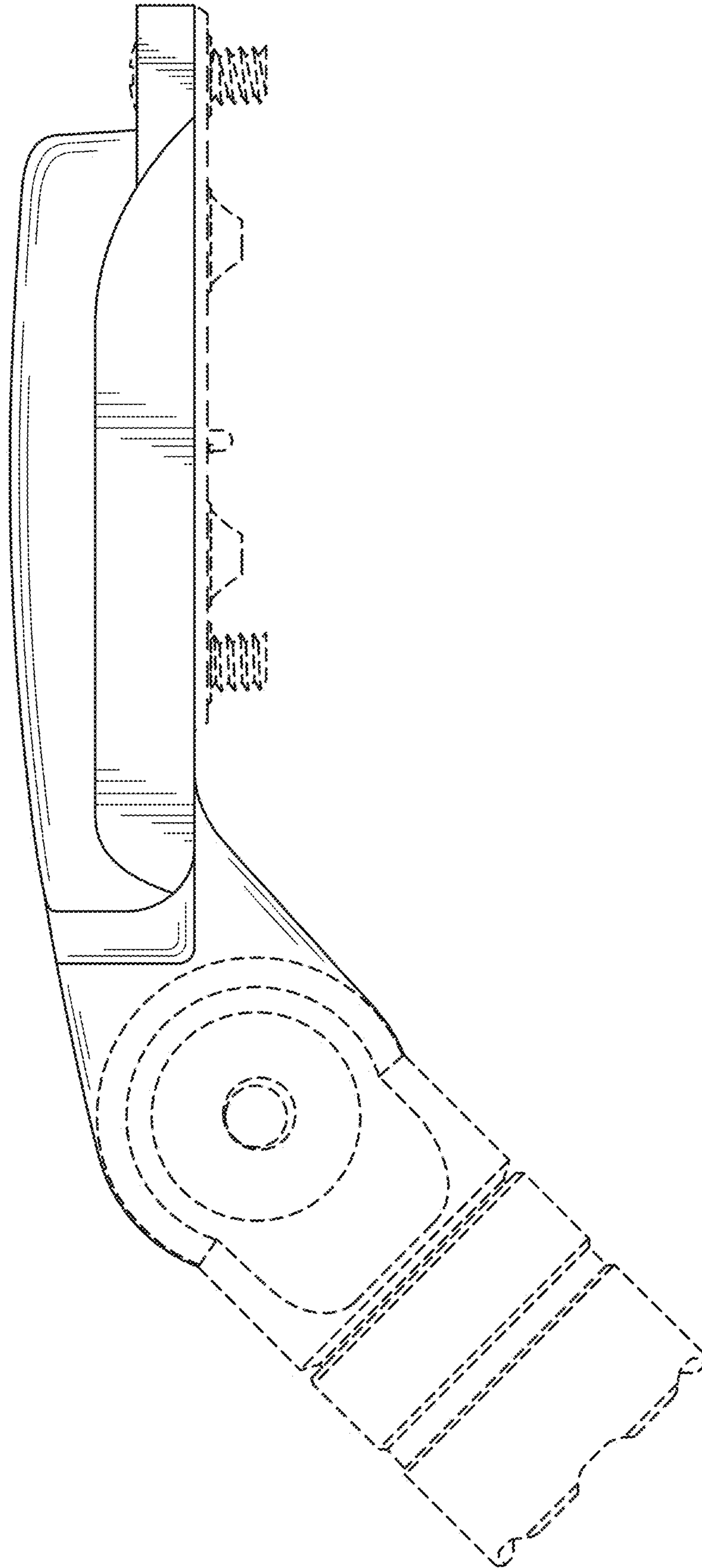


FIG. 8

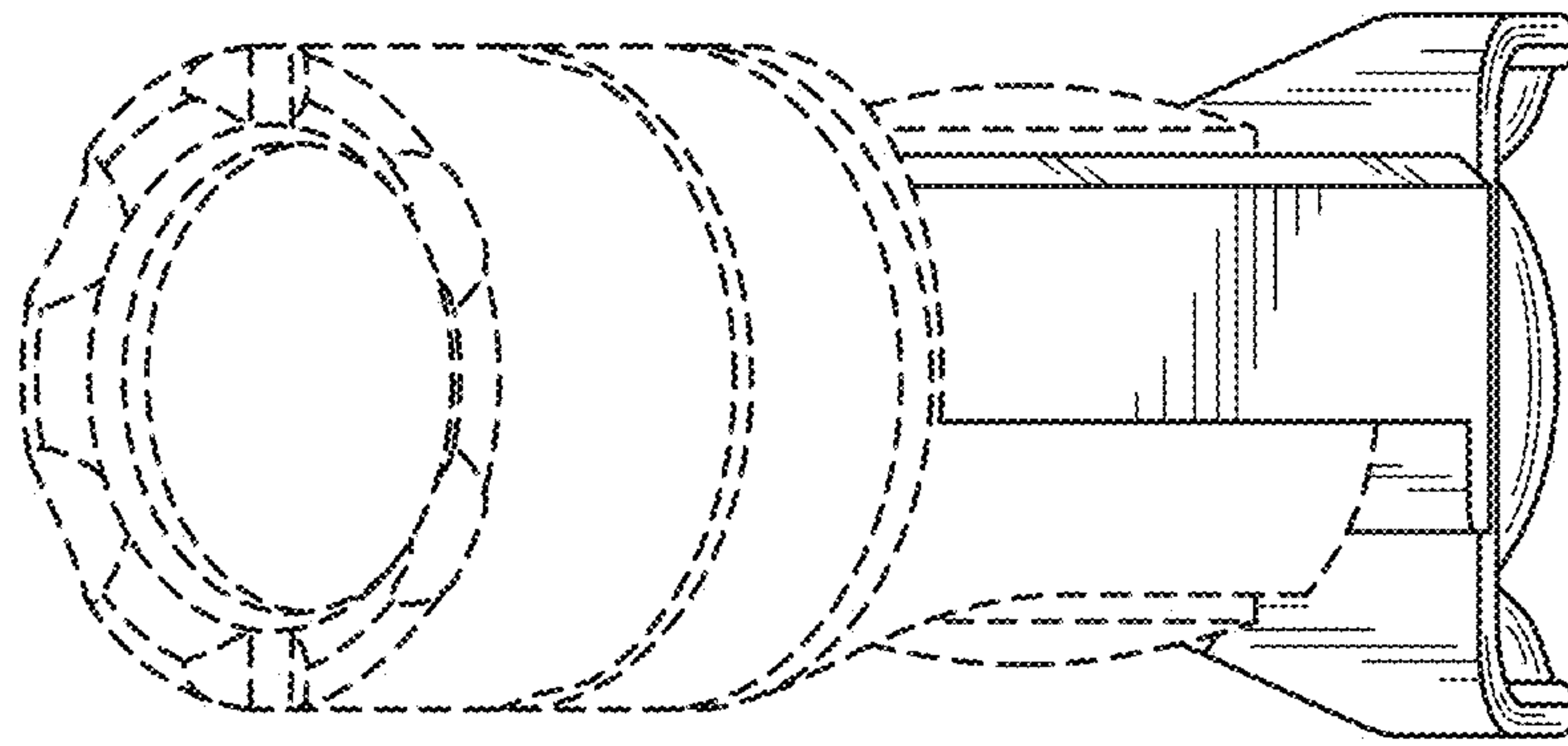


FIG. 9

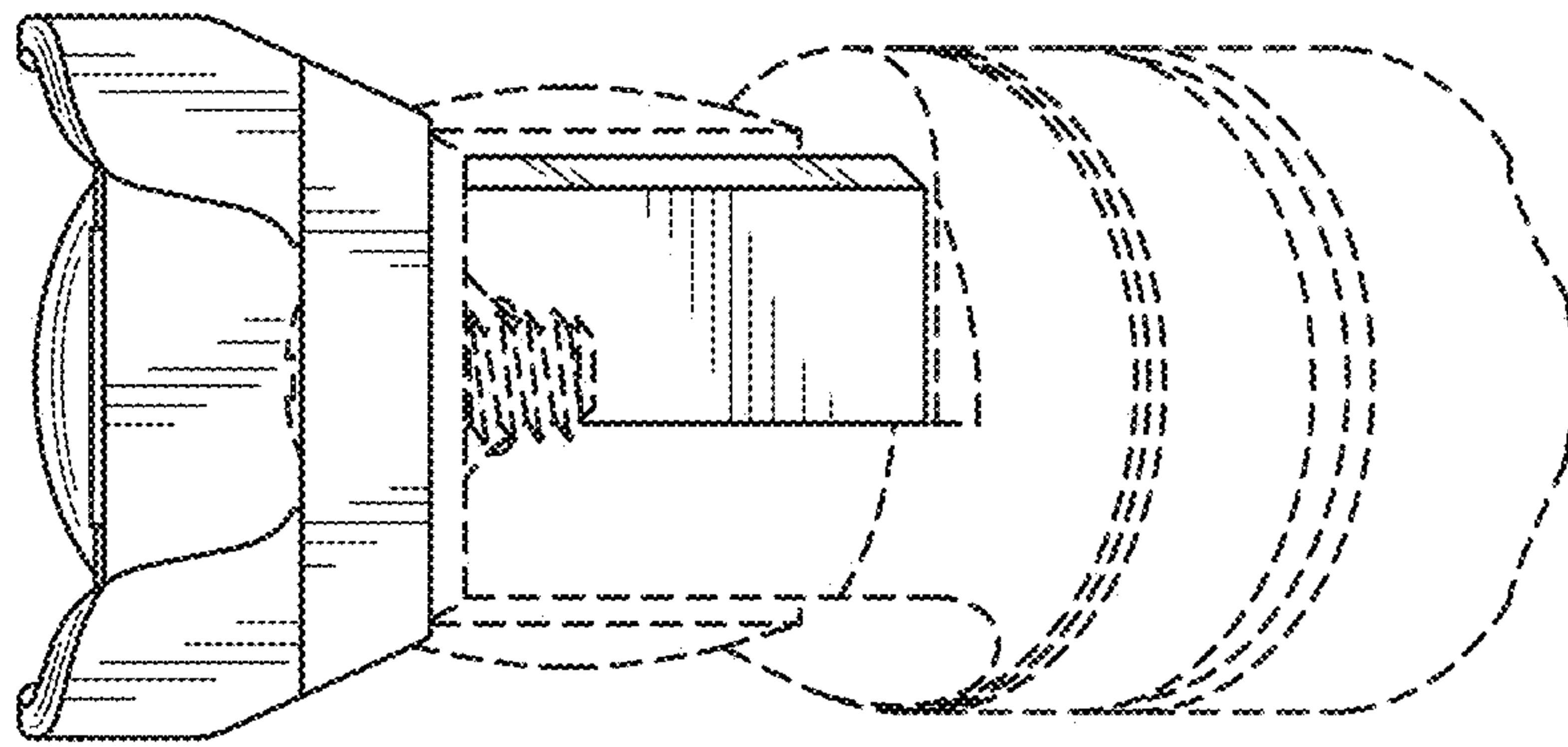


FIG. 10



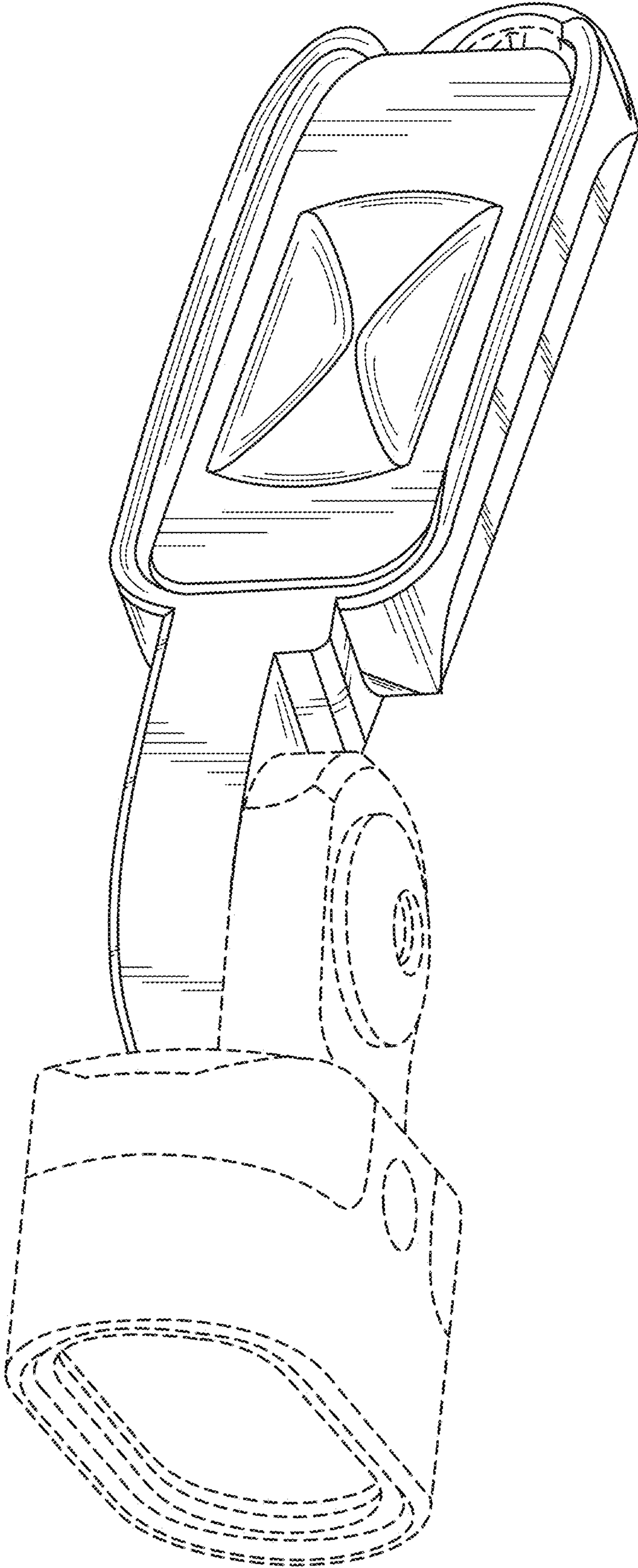


FIG. 11

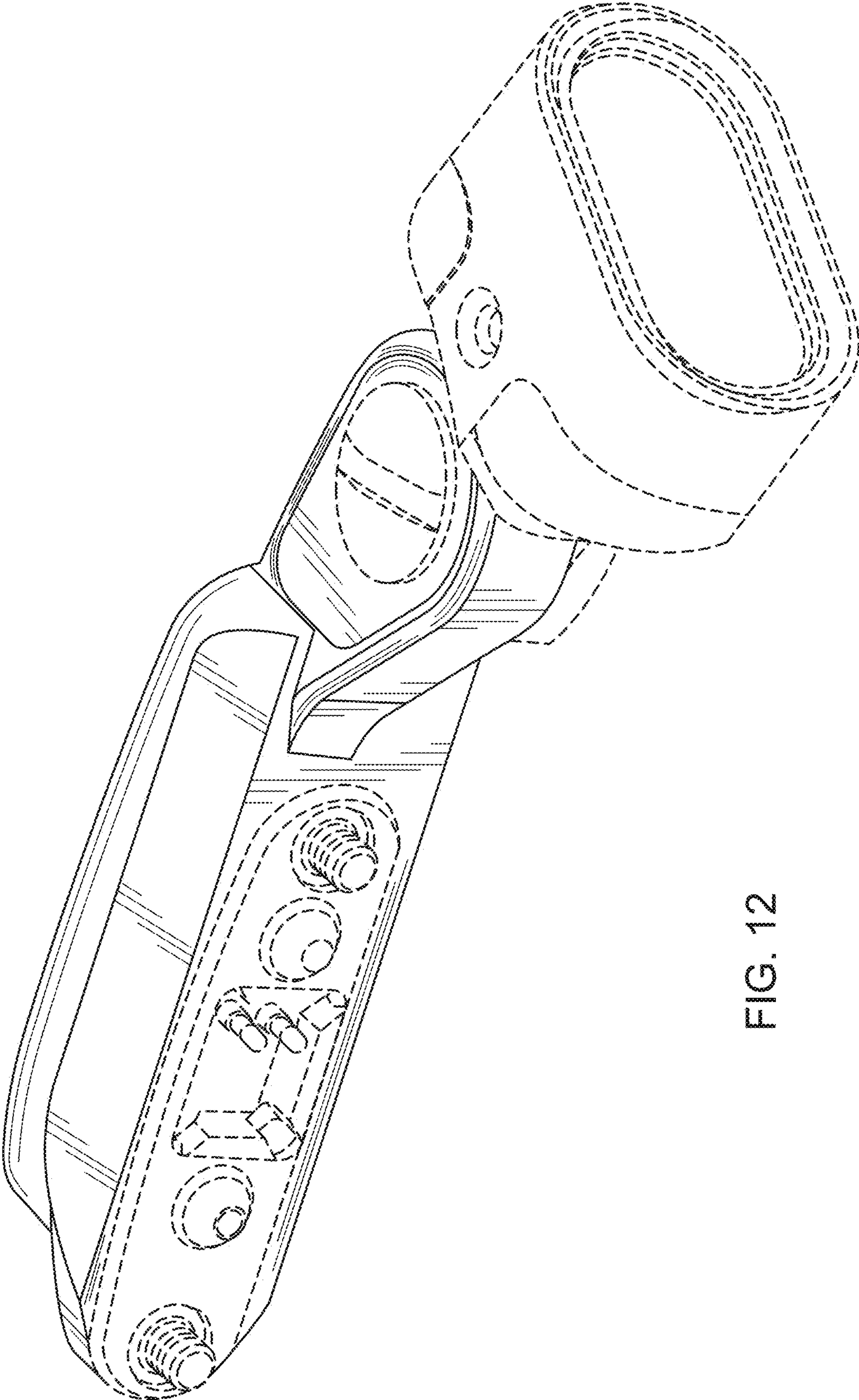


FIG. 12