



US00D927048S

(12) **United States Design Patent**  
**Chen et al.**

(10) **Patent No.:** **US D927,048 S**

(45) **Date of Patent:** **\*\* Aug. 3, 2021**

(54) **PROJECTOR EQUIPPED WITH A LAMP**

5,913,635 A \* 6/1999 Graham ..... E02B 13/00  
405/43

(71) Applicants: **Yu-Hsin Chen**, Taipei (TW); **Hsing-Yi Kao**, Taipei (TW); **Ming-Chung Liu**, Taipei (TW)

D440,638 S \* 4/2001 Lefroy-Brooks ..... D23/255  
D556,355 S \* 11/2007 Foster ..... D26/63  
D579,597 S \* 10/2008 Ng ..... D26/61  
D595,009 S \* 6/2009 Osgerby ..... D26/107  
D611,634 S \* 3/2010 Newhouse ..... D26/61

(72) Inventors: **Yu-Hsin Chen**, Taipei (TW); **Hsing-Yi Kao**, Taipei (TW); **Ming-Chung Liu**, Taipei (TW)

(Continued)

(73) Assignee: **COMPAL ELECTRONICS, INC.**, Taipei (TW)

**OTHER PUBLICATIONS**

<https://newatlas.com/bioslabs-lumi-desk-lamp-inbuilt-projector-touchscreen-computer/60159/> New Atlas, Jun. 17, 2019 (Year: 2019).\*

(\*\*) Term: **15 Years**

*Primary Examiner* — Mark A Goodwin

(21) Appl. No.: **29/699,512**

*Assistant Examiner* — Benjamin M Weeks

(22) Filed: **Jul. 26, 2019**

(74) *Attorney, Agent, or Firm* — JCIPRNET

(30) **Foreign Application Priority Data**

(57) **CLAIM**

May 27, 2019 (TW) ..... 108303140

The ornamental design for a projector equipped with a lamp, as shown and described.

(51) **LOC (13) Cl.** ..... **26-05**

**DESCRIPTION**

(52) **U.S. Cl.**  
USPC ..... **D26/138**

(58) **Field of Classification Search**  
USPC ..... D26/76, 78, 79, 80, 81, 82, 83, 85, 86,  
D26/88, 90, 113, 118, 119, 120, 121, 122,  
D26/138, 139, 140, 141, 142  
CPC ..... F21S 2/00; F21S 4/00; F21S 4/003; F21S  
4/005; F21S 4/006; F21S 4/007; F21S  
4/008; F21S 6/00; F21S 8/00; F21S  
8/024; F21S 8/026; F21S 8/031; F21S  
8/033; F21S 8/035-037; F21S 8/04; F21S  
8/043; F21S 8/063

FIG. 1 is a perspective view of a projector equipped with a lamp showing our new design;  
FIG. 2 is a front view thereof;  
FIG. 3 is a rear view thereof;  
FIG. 4 is a left side view thereof;  
FIG. 5 is a right side view thereof;  
FIG. 6 is a top view thereof;  
FIG. 7 is a bottom view thereof;  
FIG. 8 is an enlarged view of the portion, labeled '8' of FIG. 1;  
FIG. 9 is an enlarged view of the portion, labeled '9' of FIG. 1; and,  
FIG. 10 is an enlarged view of the portion, labeled '10' of FIG. 6.

See application file for complete search history.

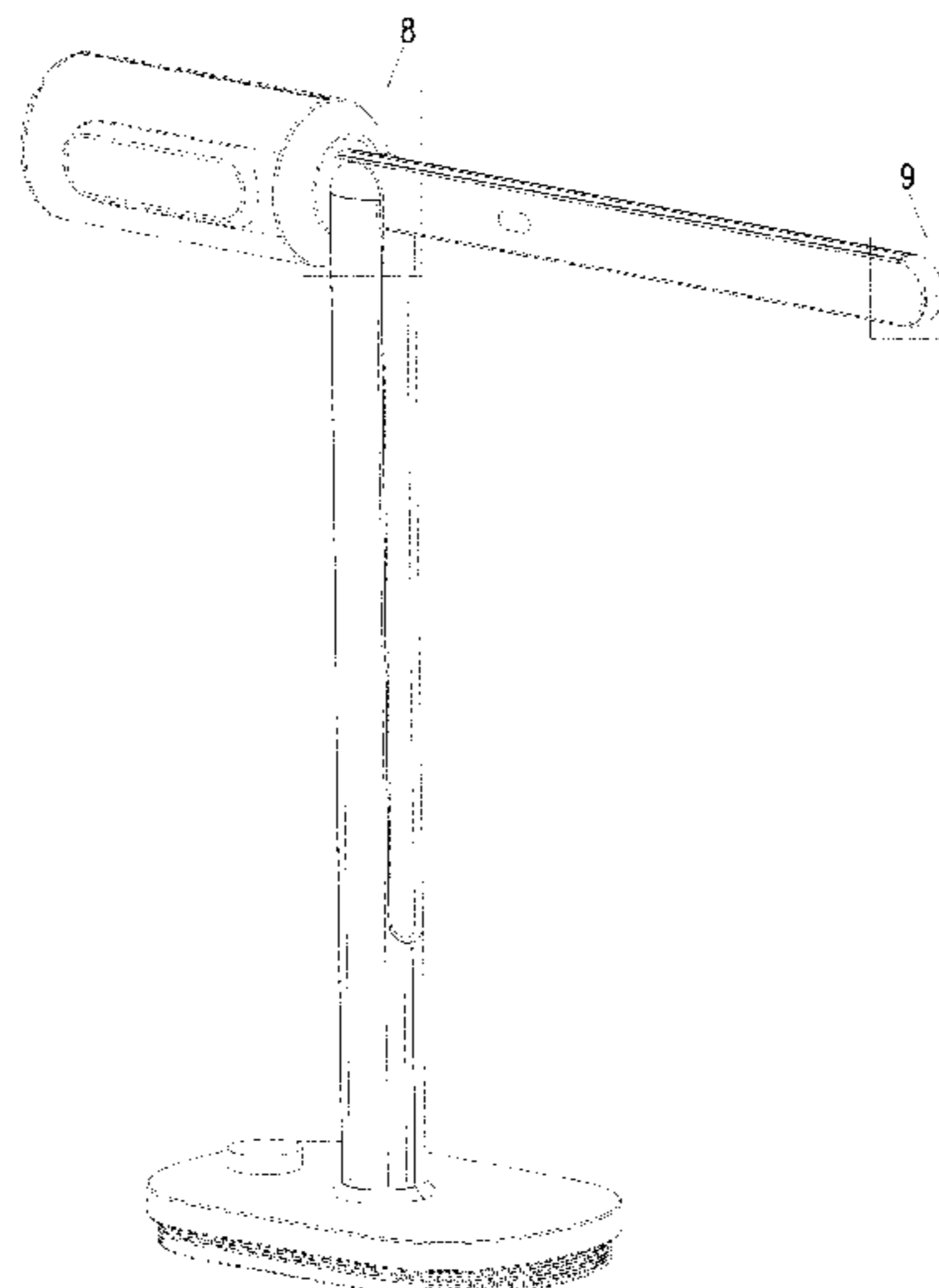
The dashed broken lines illustrate portions of the projector equipped with a lamp and form no part of the claimed design. The dot-dash broken lines define the bounds of the claimed design and form no part thereof.

(56) **References Cited**

**U.S. PATENT DOCUMENTS**

5,303,136 A \* 4/1994 Brown ..... F16M 11/14  
285/907  
D350,620 S \* 9/1994 Yuen ..... D26/65

**1 Claim, 9 Drawing Sheets**



(56)

**References Cited**

U.S. PATENT DOCUMENTS

D622,885 S \* 8/2010 Ng ..... D26/65  
D657,905 S \* 4/2012 Yu ..... F21S 8/06  
D26/138  
D793,131 S \* 8/2017 Gazit ..... D6/681.3  
D851,805 S \* 6/2019 Chen ..... D26/76  
D866,047 S \* 11/2019 Anastassiades ..... D26/88  
D871,659 S \* 12/2019 Wang ..... D26/138  
D903,934 S \* 12/2020 Moses ..... D26/138  
D906,584 S \* 12/2020 Moses ..... D26/138

\* cited by examiner

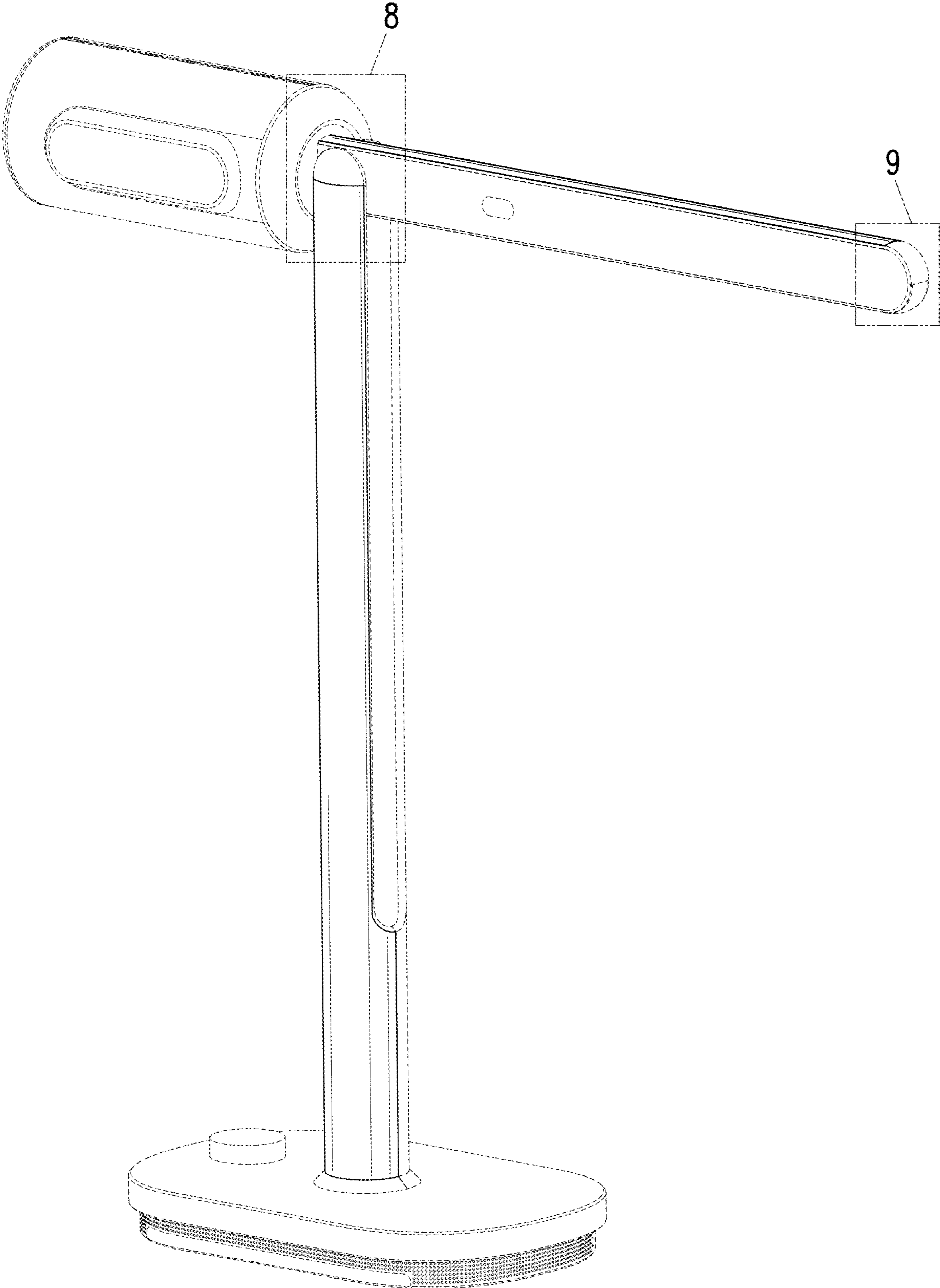


FIG. 1

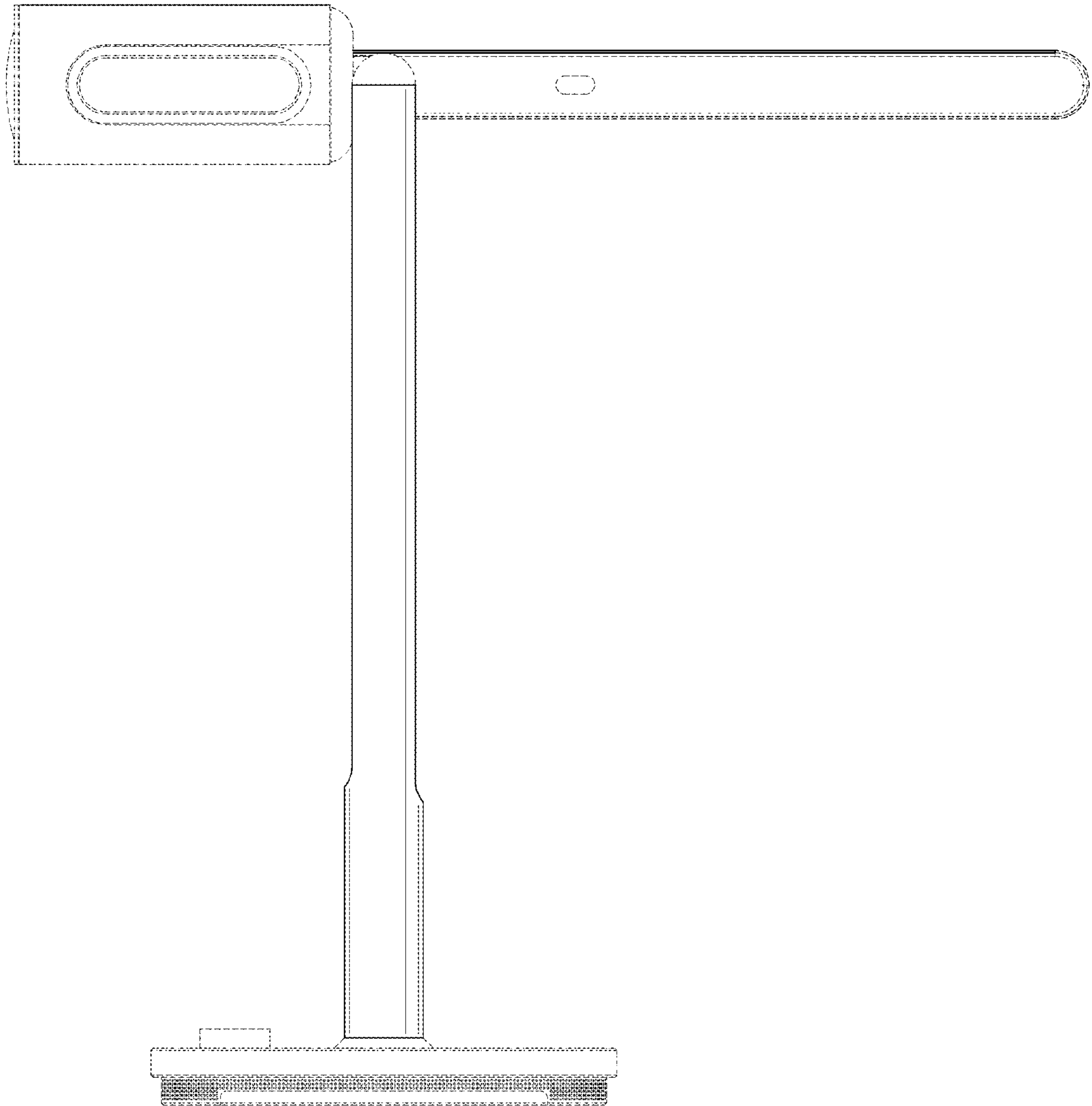


FIG. 2

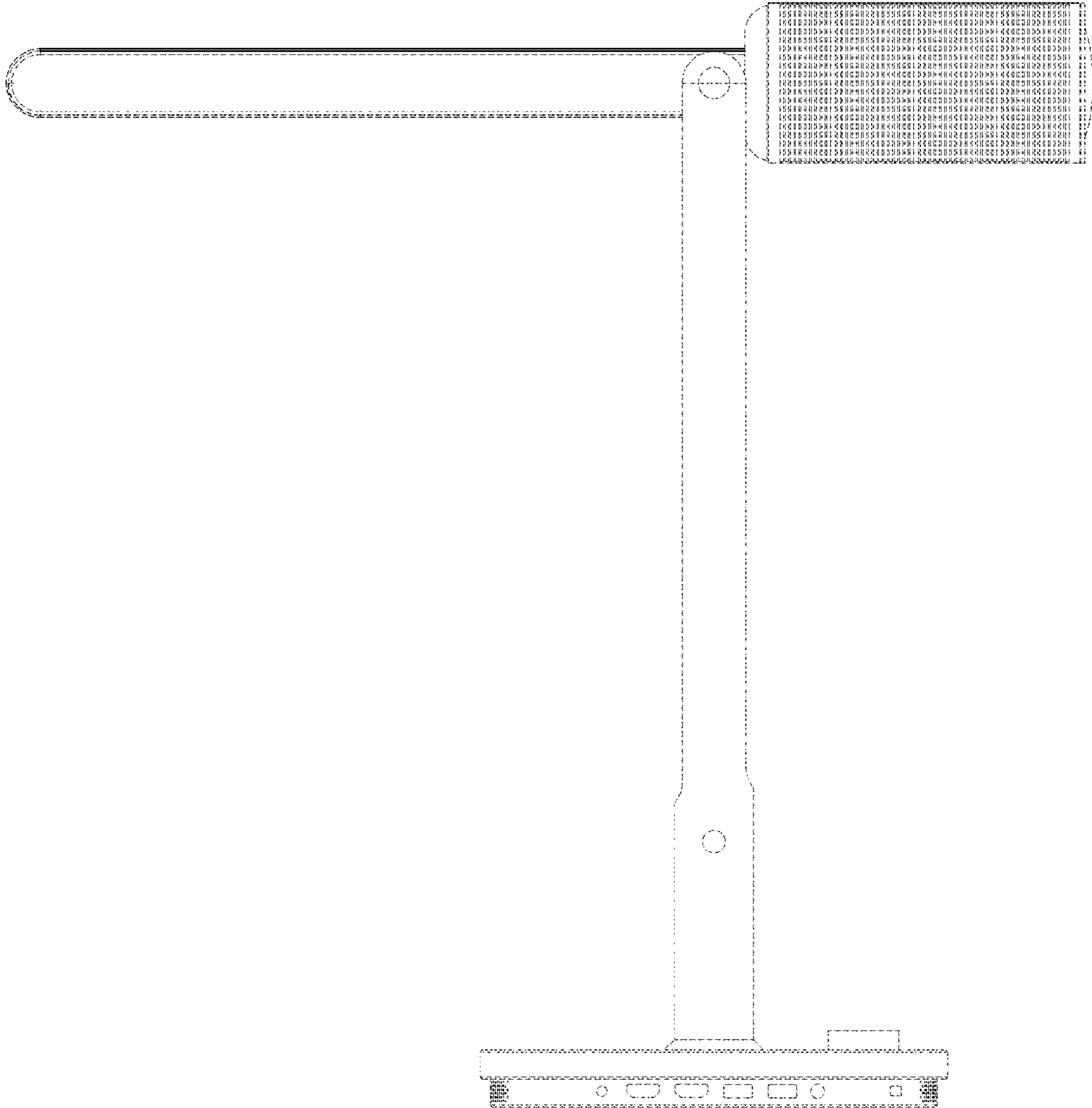


FIG. 3

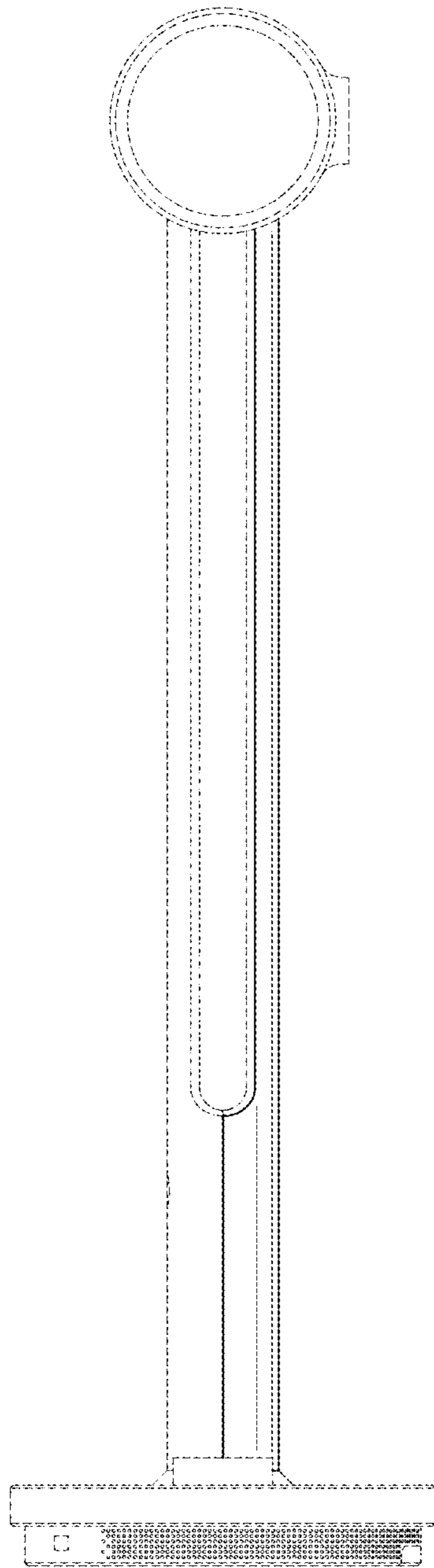


FIG. 4

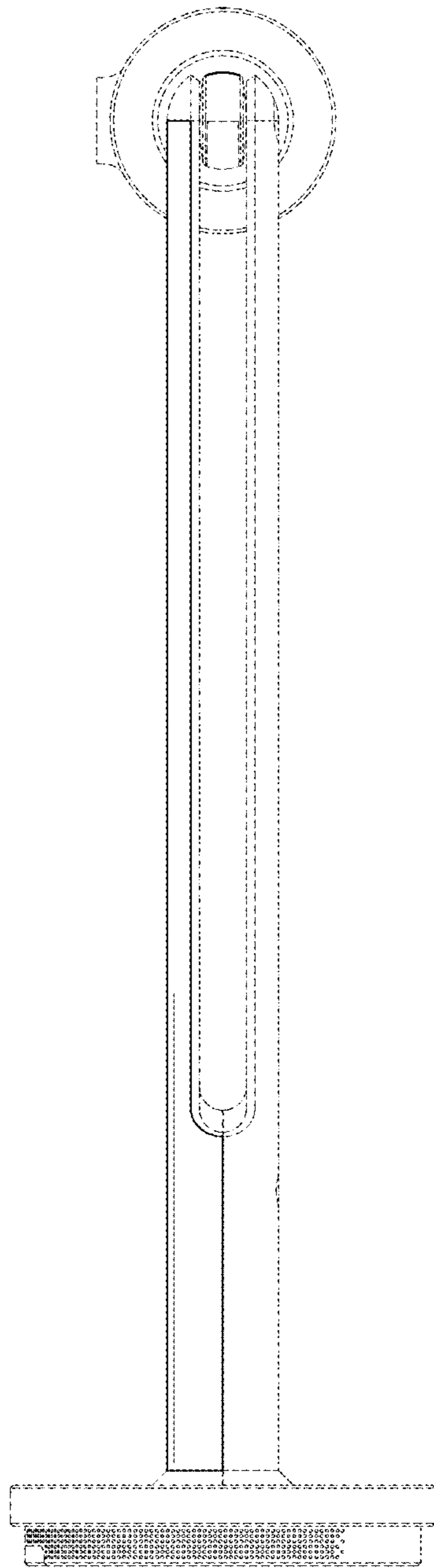


FIG. 5



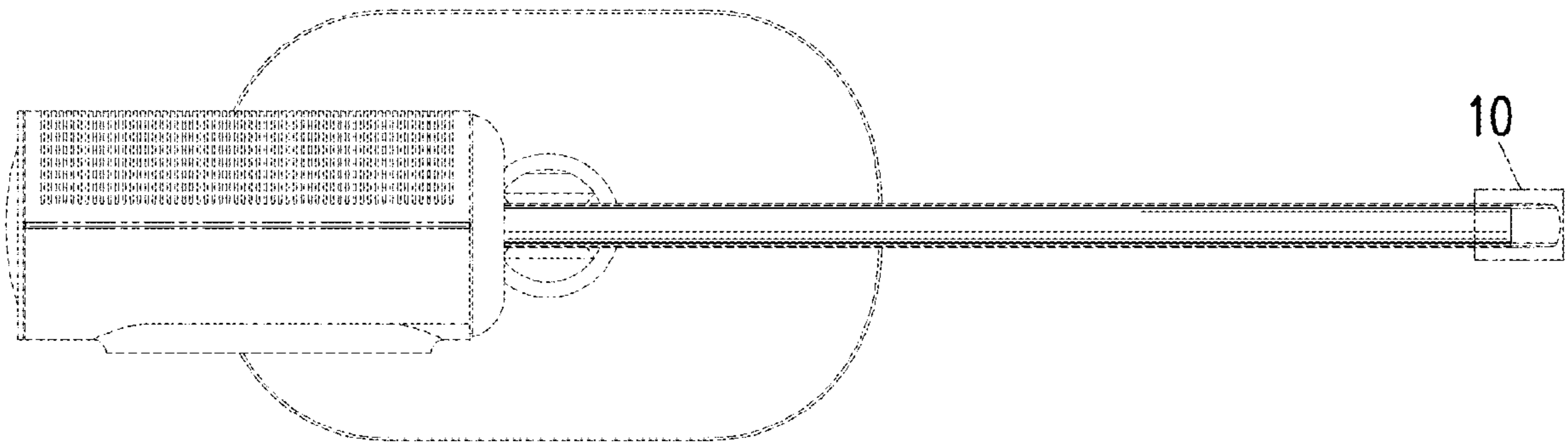


FIG. 6

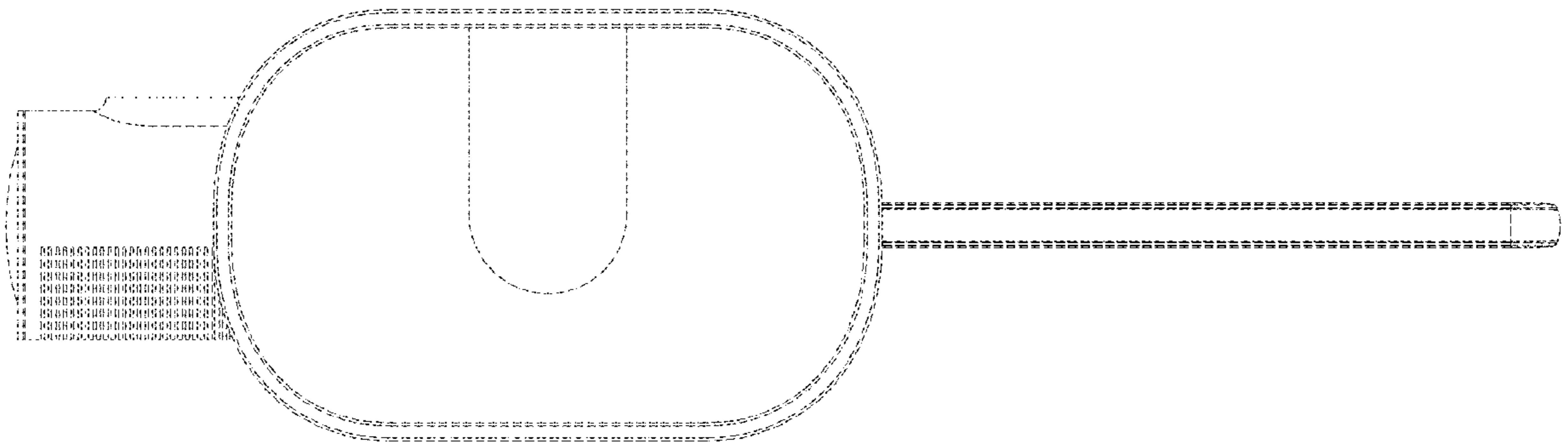


FIG. 7



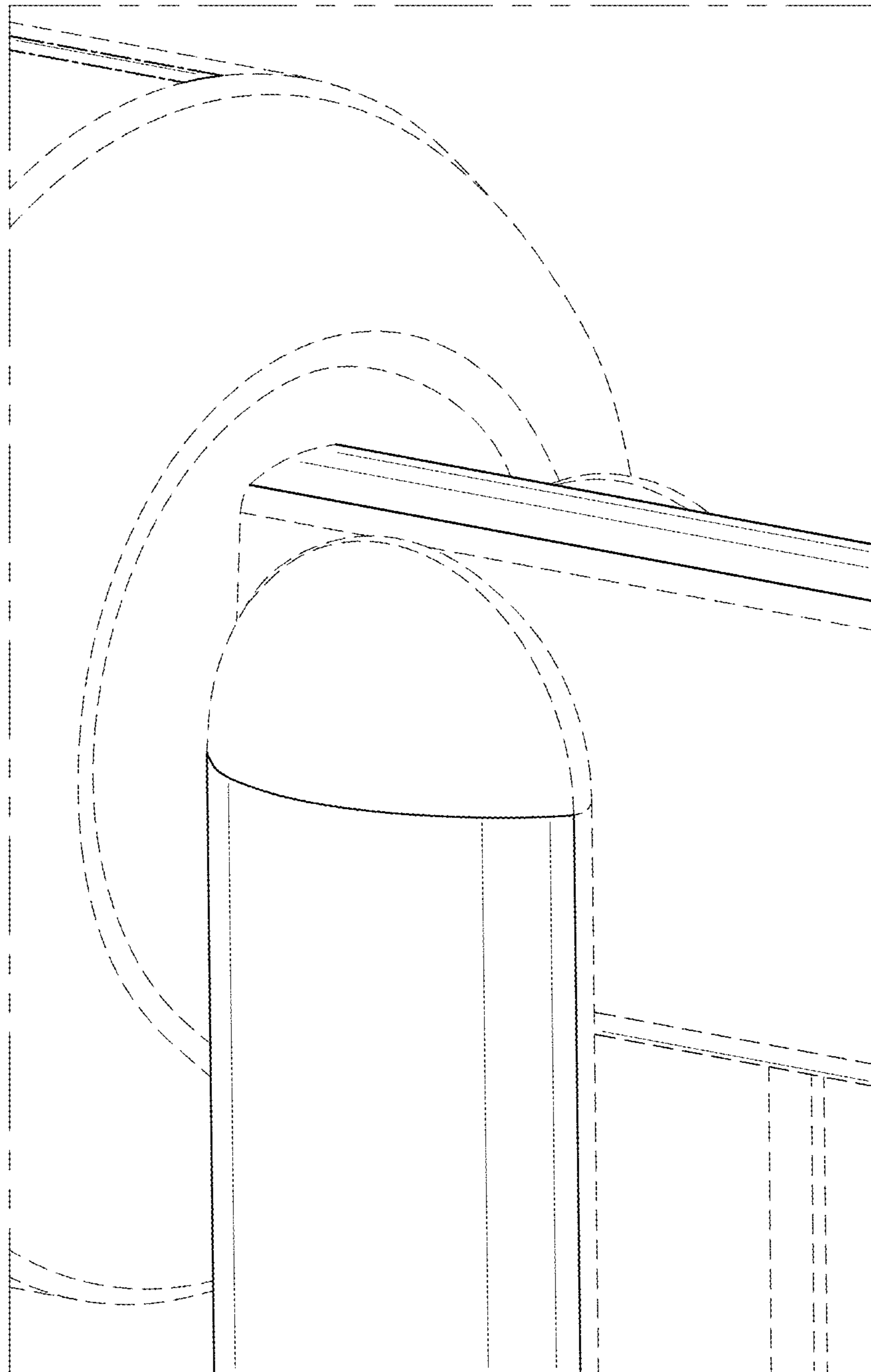


FIG. 8

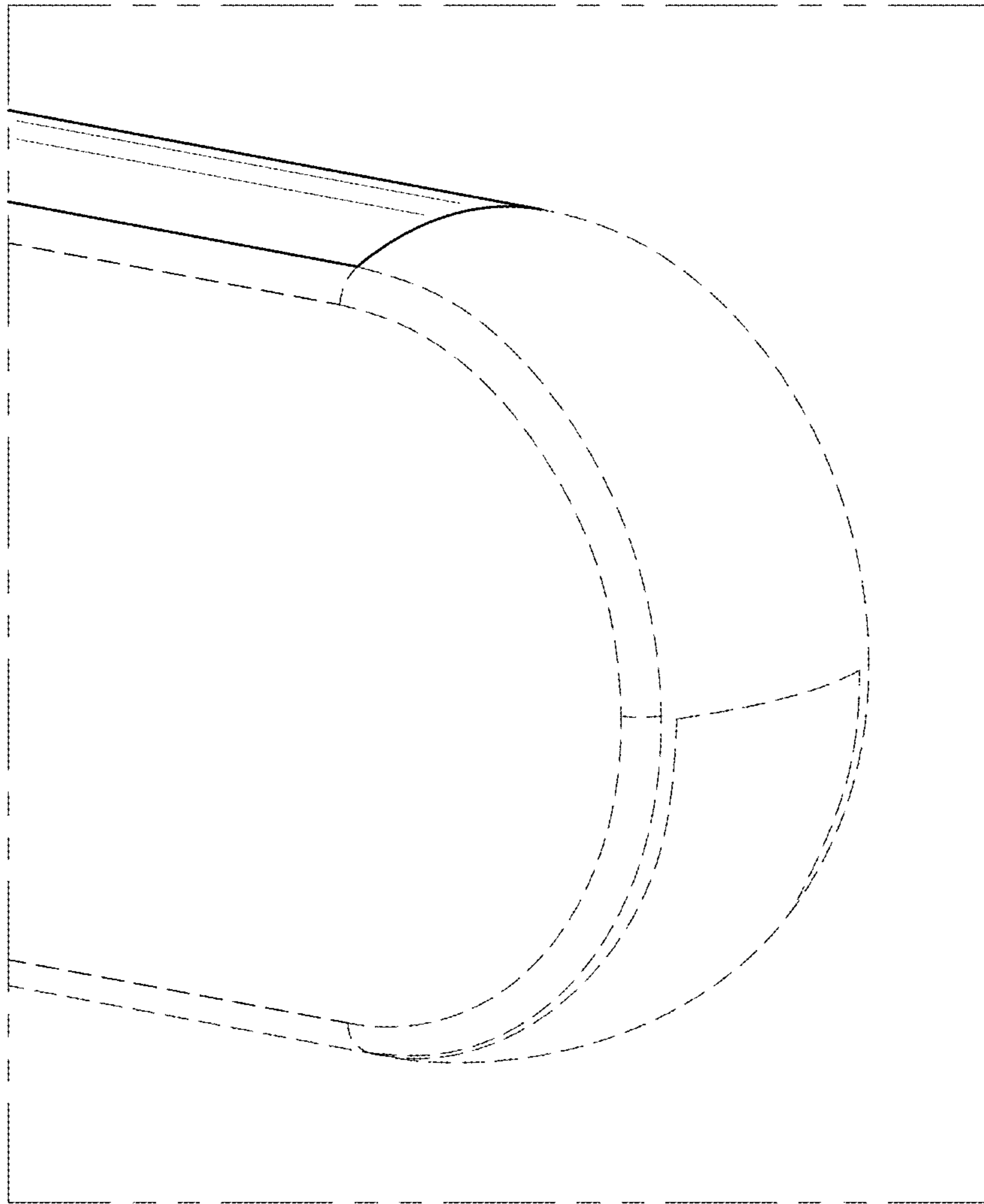


FIG. 9

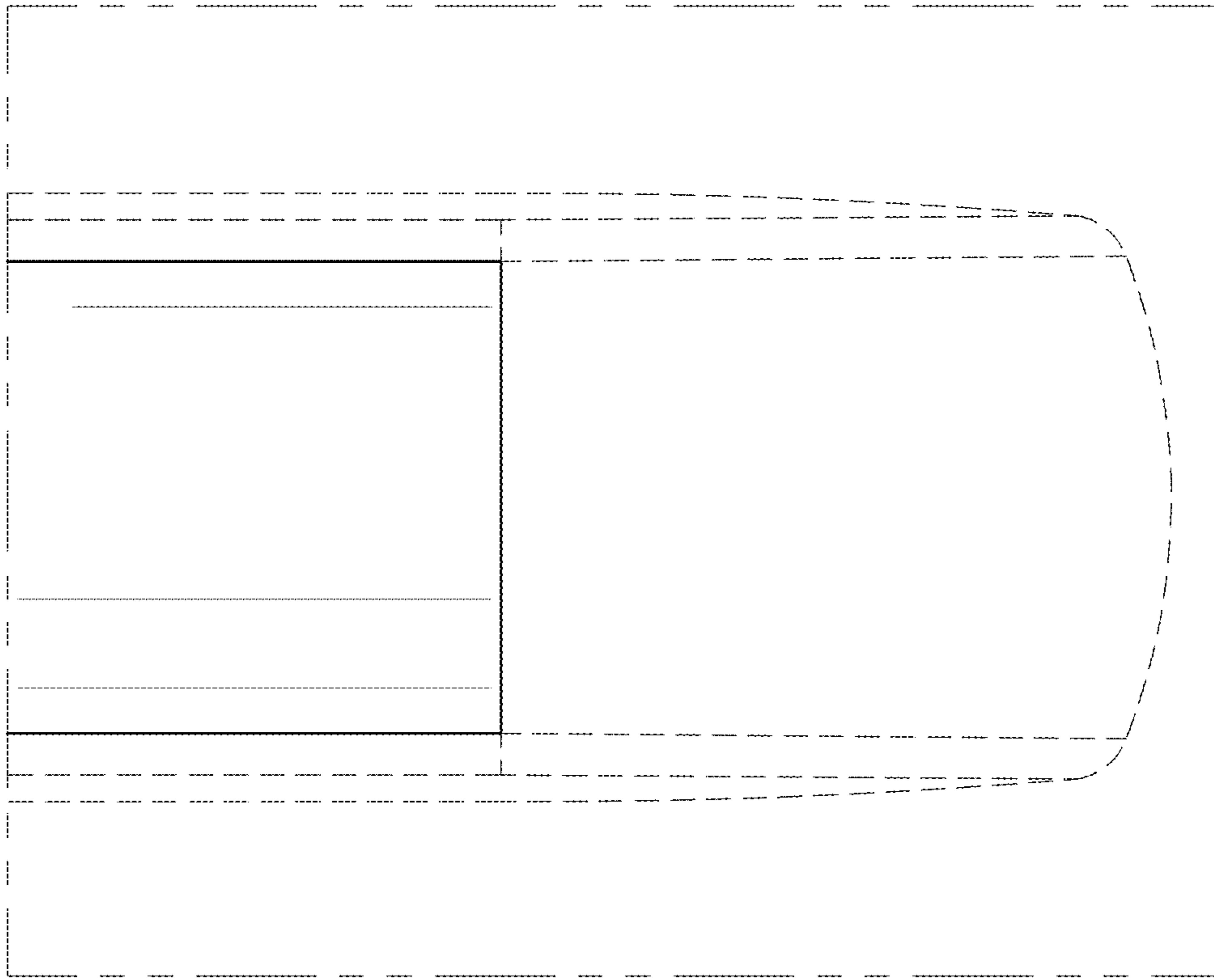


FIG. 10